

REVISIONS				
REV.	ECN	DESCRIPTION	DATE	APPROVED
A		PROPOSAL	APR 29.11	A.G
B		ADD THE THICKNESS DIM AND TRACE KEEP OUT AREA OF THE PCB	AUG 07.11	A.G
C		MODIFY THE DIMENSION BETWEEN PCB AND BEZEL	AUG 15.11	A.G
D		ADD 2X8 OPTION	JUL 04.12	J.SI

MATERIAL:

CAGE - PRESS FIT:
COPPER ALLOY

PLATING:
SEE AMPHENOL PART NUMBER
CONFIGURATION FOR OPTIONS.

CONNECTOR - PRESS FIT

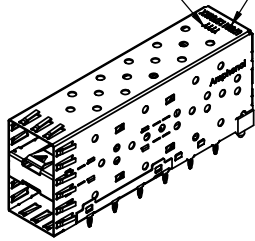
PLASTIC HOUSING:
LIQUID CRYSTAL POLYMER (LCP),
FLAMMABILITY RATING UL94-0.

CONTACTS:
PHOSPHOR BRONZE
PLATING OPTION:
SEE AMPHENOL PART NUMBER
CONFIGURATION FOR OPTIONS.

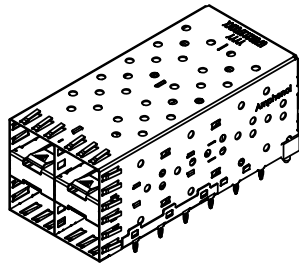
PACKAGING:
TRAY PACKAGING.

TEMPERATURE RANGE:
-40°C TO +85°C

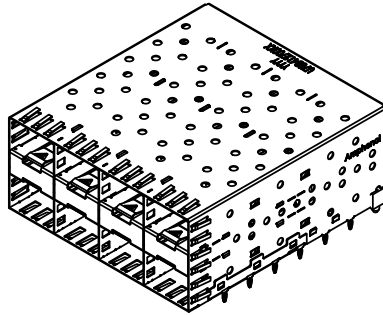
DATE CODE
PART NUMBER
(LAST DIGIT INDICATING
PACKAGING TYPE,
NOT PRINTED ON THE PART)



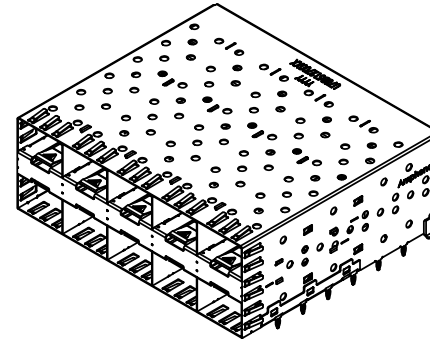
UE78-B1127-00XX1



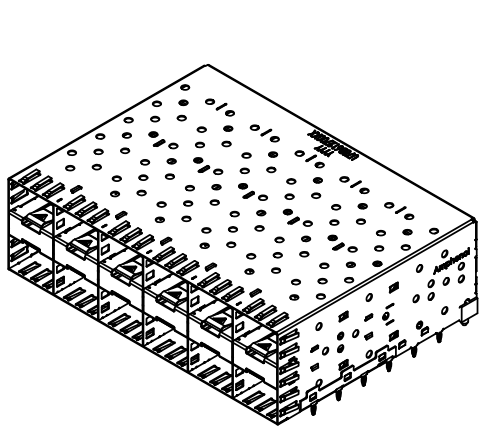
UE78-B2127-00XX1



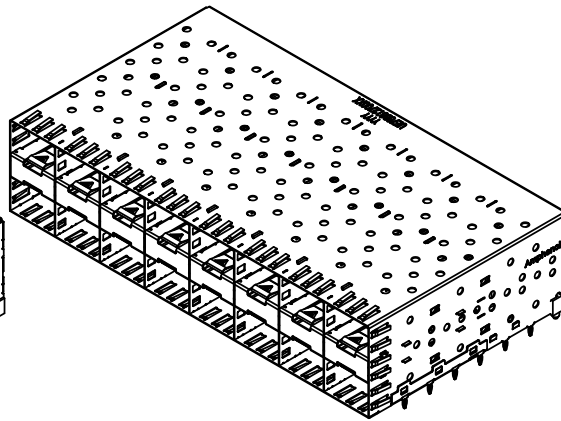
UE78-B4127-00XX1



UE78-B5127-00XX1



UE78-B6127-00XX1



UE78-B8127-00XX1

AMPHENOL PART NUMBER CONFIGURATION

UE78 - B X 1 2 7 - 0 0 X X 1

E=ROHS COMPLIANT

NUMBER OF PORTS

- 1 = 2X1
- 2 = 2X2
- 4 = 2X4
- 5 = 2X5
- 6 = 2X6
- 8 = 2X8

PACKAGING

- 1 = TRAY PACKAGING

CAGE PLATING

- 2 = NICKEL PLATING
- 3 = MATTE TIN PLATING

PRESS FIT CONNECTOR PLATING

- 3 = 30 μ" MIN. GOLD ON MATING AREA
- 150-300 μ" MATTE TIN ON TERMINATION
- 6 = 15 μ" MIN. GOLD ON MATING AREA
- 150-300 μ" MATTE TIN ON TERMINATION



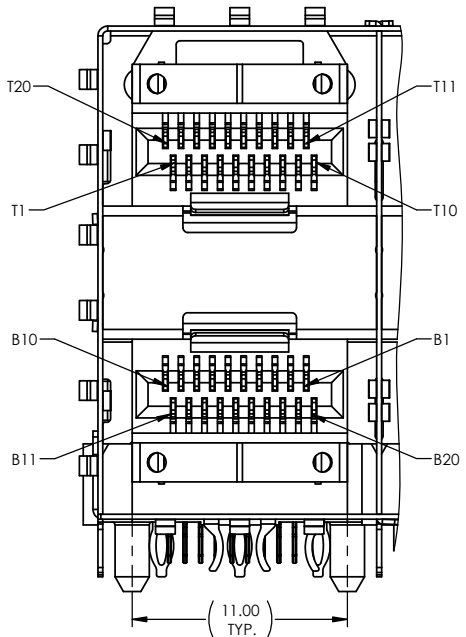
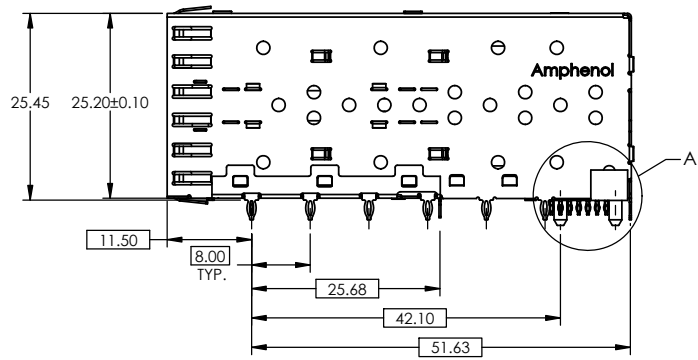
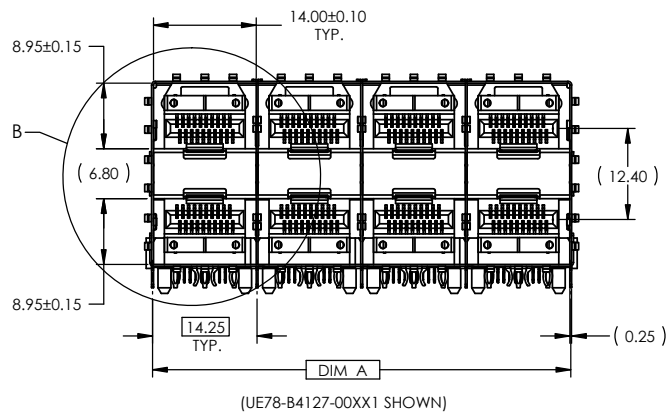
DO NOT SCALE DRAWING

THIS DOCUMENT CONTAINS PROPRIETARY INFORMATION AND SUCH INFORMATION MAY NOT BE DISCLOSED TO OTHERS FOR ANY PURPOSE OR USED FOR MANUFACTURING PURPOSES WITHOUT PERMISSION FROM AMPHENOL CANADA CORP.

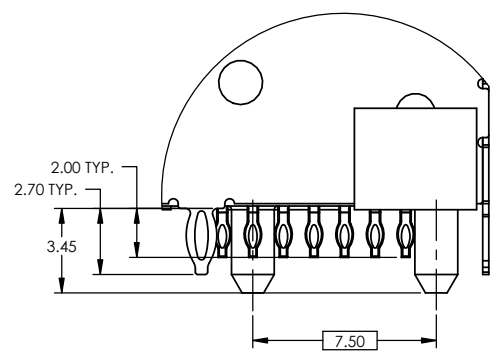
<small>UNLESS OTHERWISE SPECIFIED DIMENSIONS ARE IN MILLIMETERS TOLERANCES ARE:</small> DECIMALS: XX ± 0.25, XXX ± 0.15 ANGLES: ± 1° MATERIAL AND FINISH: N/A REF: X CODE IDENT. NO.: 03554	APPROVALS	DATE	Amphenol Canada Corp.	
	DRAWN: MIKE.H	APR 29.11		
	DESIGNED: J.SI	APR 29.11	SFF 2XN STACKED COMBO WITH DOUBLE BEND LATCH	
	CHECKED: J.SI	APR 29.11	GA APPD	
	E APPD		SIZE: A3	DWG. NO.: P-UE78-BX127-00XX1
	DWG APPD: A.GREEN	APR 29.11	SCALE: 2:1	PROJECT: SHEET 1 OF 4

REVISIONS

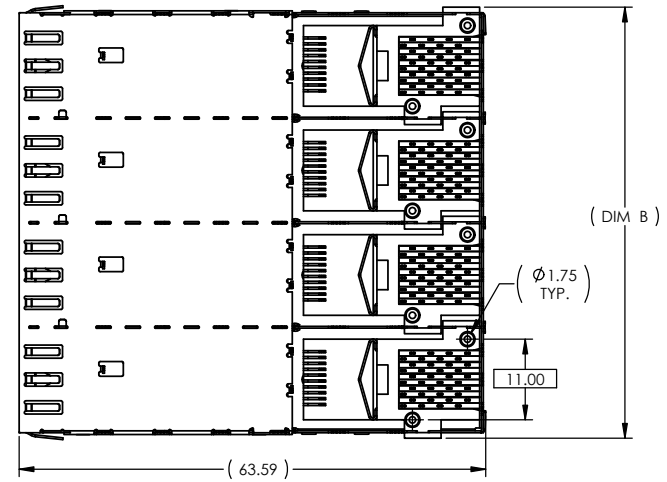
REV.	ECN	DESCRIPTION	DATE	APPROVED
A		PROPOSAL	APR 29.11	A.G
B		ADD THE THICKNESS DIM AND TRACE KEEP OUT AREA OF THE PCB	AUG 07.11	A.G
C		MODIFY THE DIMENSION BETWEEN PCB AND BEZEL	AUG 15.11	A.G
D		ADD 2XB OPTION	JUL 04.12	J.SI



DETAIL B
SCALE 4 : 1
TYPICAL PIN ASSIGNMENT ON MATING AREA



DETAIL A
SCALE 5 : 1



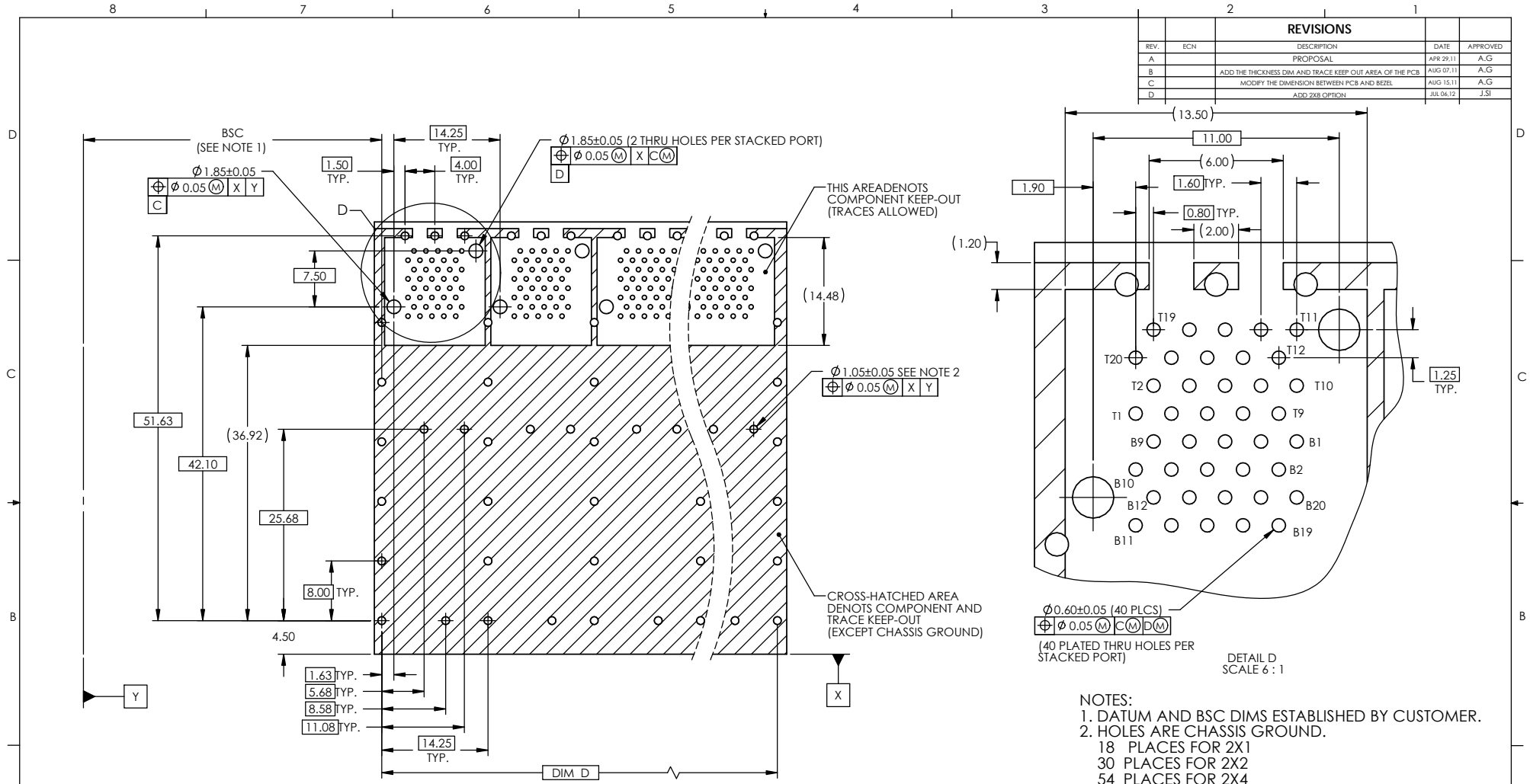
PART NUMBER	DIM A	DIM B
UE78-B1127-00XX1	14.25	16.00
UE78-B2127-00XX1	28.50	30.25
UE78-B4127-00XX1	57.00	58.75
UE78-B5127-00XX1	71.25	73.00
UE78-B6127-00XX1	85.50	87.25
UE78-B8127-00XX1	114.00	115.75

DO NOT SCALE DRAWING

THIS DOCUMENT CONTAINS PROPRIETARY INFORMATION AND SUCH INFORMATION MAY NOT BE DISCLOSED TO OTHERS FOR ANY PURPOSE OR USED FOR MANUFACTURING PURPOSES WITHOUT PERMISSION FROM AMPHENOL CANADA CORP.

UNLESS OTHERWISE SPECIFIED DIMENSIONS ARE IN MILLIMETERS TOLERANCES ARE:		APPROVALS		DATE		Amphenol Canada Corp.	
DECIMALS X.X ± 0.25 X.XX ± 0.15	ANGLES ± 1°	DRAWN MIKE.H	APR 29.11	DESIGNED J.SI	APR 29.11		
MATERIAL AND FINISH N/A		CHECKED J.SI	APR 29.11	GA APPD		TITLE	
REF. X	E APPD	D		SIZE A3	DWG. NO. P-UE78-BX127-00XX1	REV. D	
CODE IDENT. NO. 03554	DWG APPD A.GREEN	APR 29.11	SCALE 2:1	PROJECT	SHEET 2 OF 4		

REVISIONS				
REV.	ECN	DESCRIPTION	DATE	APPROVED
A		PROPOSAL	APR 29.11	A.G
B		ADD THE THICKNESS DIM AND TRACE KEEP OUT AREA OF THE PCB	AUG 07.11	A.G
C		MODIFY THE DIMENSION FOR PCB AND BEZEL	AUG 15.11	A.G
D		ADD 2X8 OPTION	JUL 04.12	J.SI



**RECOMMENDED SFP HOST BOARD LAYOUT
(ONE SIDE CAGE MOUNTING)**

DO NOT SCALE DRAWING

THIS DOCUMENT CONTAINS PROPRIETARY INFORMATION AND SUCH INFORMATION MAY NOT BE DISCLOSED TO OTHERS FOR ANY PURPOSE OR USED FOR MANUFACTURING PURPOSES WITHOUT PERMISSION FROM AMPHENOL CANADA CORP.

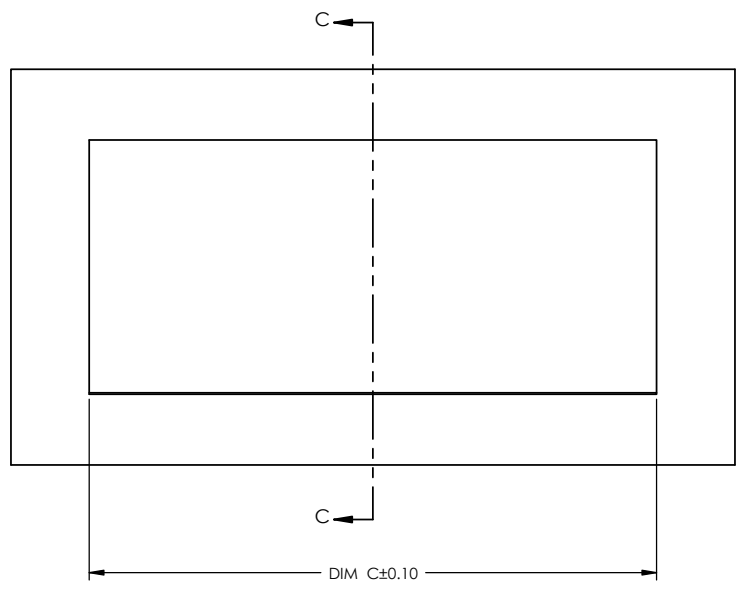
- NOTES:
 1. DATUM AND BSC DIMS ESTABLISHED BY CUSTOMER.
 2. HOLES ARE CHASSIS GROUND.
 18 PLACES FOR 2X1
 30 PLACES FOR 2X2
 54 PLACES FOR 2X4
 66 PLACES FOR 2X5
 78 PLACES FOR 2X6
 102 PLACES FOR 2X8

PART NUMBER	DIM D	UNLESS OTHERWISE SPECIFIED DIMENSIONS ARE IN MILLIMETERS TOLERANCES ARE:	APPROVALS	DATE	Amphenol Canada Corp.
UE78-B1127-00XX1	14.25	DECIMALS ANGLES $\pm 1^\circ$	DRAWN MIKE.H	APR 29.11	
UE78-B2127-00XX1	28.50	X.X ± 0.25	DESIGNED J.SI	APR 29.11	
UE78-B4127-00XX1	57.00	X.XX ± 0.15	CHECKED J.SI	APR 29.11	
UE78-B5127-00XX1	71.25	MATERIAL AND FINISH	QA APPD		
UE78-B6127-00XX1	85.50	N/A			
UE78-B8127-00XX1	114.00				

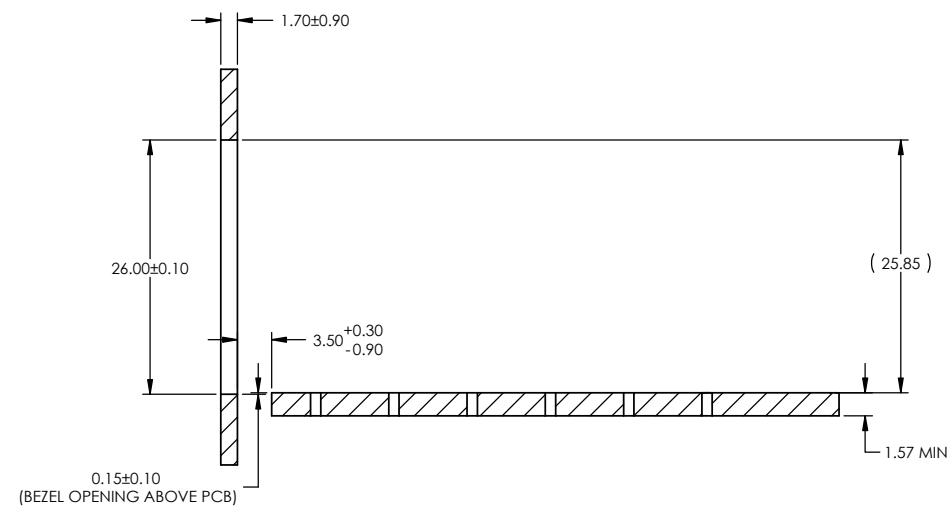
REF.	E APPD	DATE	SIZE	DWG. NO.	PROJECT	REV.
X	A.GREEN	APR 29.11	A3	P-UE78-BX127-00XX1		D

CODE IDENT. NO.	DWG APPD	SCALE	SHEET
03554	A.GREEN	2:1	3 OF 4

REVISIONS				
REV.	ECN	DESCRIPTION	DATE	APPROVED
A		PROPOSAL	APR 29.11	A.G
B		ADD THE THICKNESS DIM AND TRACE KEEP OUT AREA OF THE PCB	AUG 07.11	A.G
C		MODIFY THE DIMENSION BETWEEN PCB AND BEZEL	AUG 15.11	A.G
D		ADD 2X8 OPTION	JUL 06.12	J.SI



RECOMMENDED BEZEL DESIGN



SECTION C-C
SCALE 2:1

PART NUMBER	DIM C
UE78-B1127-00XX1	15.25
UE78-B2127-00XX1	29.50
UE78-B4127-00XX1	58.00
UE78-B5127-00XX1	72.25
UE78-B6127-00XX1	86.50
UE78-B8127-00XX1	115.00

UNLESS OTHERWISE SPECIFIED DIMENSIONS ARE IN MILLIMETERS TOLERANCES ARE:		APPROVALS		DATE	Amphenol Canada Corp.	
DECIMALS	ANGLES	DRAWN	MIKE.H	APR 29.11	TITLE	
X.X ± 0.25	± 1°	DESIGNED	J.SI	APR 29.11	SFP 2XN STACKED COMBO WITH DOUBLE BEND LATCH	
X.XX ± 0.15		CHECKED	J.SI	APR 29.11		
MATERIAL AND FINISH		QA APPD				
N/A						
REF.		E APPD			SIZE	DWG. NO.
X					A3	P-UE78-BX127-00XX1
CODE IDENT. NO.	03554	DWG APPD	A.GREEN	APR 29.11	SCALE	PROJECT
					2:1	
						SHEET
						4 OF 4

DO NOT SCALE DRAWING

THIS DOCUMENT CONTAINS PROPRIETARY INFORMATION AND SUCH INFORMATION MAY NOT BE DISCLOSED TO OTHERS FOR ANY PURPOSE OR USED FOR MANUFACTURING PURPOSES WITHOUT PERMISSION FROM AMPHENOL CANADA CORP.



Компания «ЭлектроПласт» предлагает заключение долгосрочных отношений при поставках импортных электронных компонентов на взаимовыгодных условиях!

Наши преимущества:

- Оперативные поставки широкого спектра электронных компонентов отечественного и импортного производства напрямую от производителей и с крупнейших мировых складов;
- Поставка более 17-ти миллионов наименований электронных компонентов;
- Поставка сложных, дефицитных, либо снятых с производства позиций;
- Оперативные сроки поставки под заказ (от 5 рабочих дней);
- Экспресс доставка в любую точку России;
- Техническая поддержка проекта, помощь в подборе аналогов, поставка прототипов;
- Система менеджмента качества сертифицирована по Международному стандарту ISO 9001;
- Лицензия ФСБ на осуществление работ с использованием сведений, составляющих государственную тайну;
- Поставка специализированных компонентов (Xilinx, Altera, Analog Devices, Intersil, Interpoint, Microsemi, Aeroflex, Peregrine, Syfer, Eurofarad, Texas Instrument, Miteq, Cobham, E2V, MA-COM, Hittite, Mini-Circuits, General Dynamics и др.);

Помимо этого, одним из направлений компании «ЭлектроПласт» является направление «Источники питания». Мы предлагаем Вам помощь Конструкторского отдела:

- Подбор оптимального решения, техническое обоснование при выборе компонента;
- Подбор аналогов;
- Консультации по применению компонента;
- Поставка образцов и прототипов;
- Техническая поддержка проекта;
- Защита от снятия компонента с производства.



Как с нами связаться

Телефон: 8 (812) 309 58 32 (многоканальный)

Факс: 8 (812) 320-02-42

Электронная почта: org@eplast1.ru

Адрес: 198099, г. Санкт-Петербург, ул. Калинина, дом 2, корпус 4, литера А.