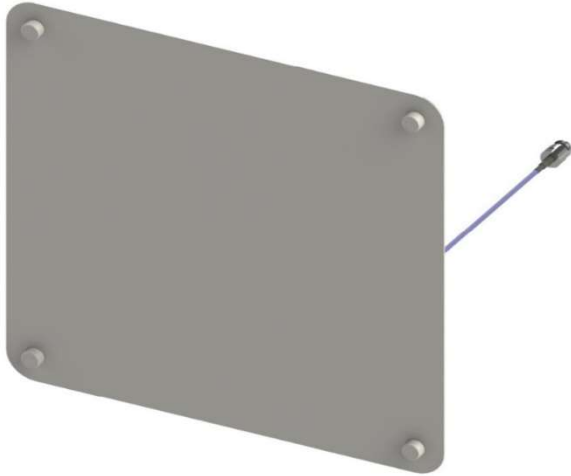


Series: V-Thinity

**Description:** In Building Public Safety  
Antenna 450-490 MHz

**PART NUMBER: PSIBUHF**



Installed Antenna

### Features:

- 450-490 MHz UHF operation
- Aesthetically pleasing:
  - 1.5mm (0.060 inch) thickness to ceiling
- VSWR < 2:1
- Optimized To Low-Frequency In-Building Environments
- Size 15.75 x 15.75 inch (400 x 400 mm)

### Applications:

- IN-building repeater systems
- Police, Fire, Government
- Low profile ceiling mounting
- Enhanced for In-Building:
  - Multi-floor coverage
  - Voids the nulls of traditional dipoles

All dimensions are in mm / inches

Issue: 1713

In the effort to improve our products, we reserve the right to make changes judged to be necessary.

CONFIDENTIAL AND PROPRIETARY INFORMATION

This document contains confidential and proprietary information of Pulse Electronics, Inc. (Pulse) and is protected by copyright, trade secret and other state and federal laws. Its receipt or possession does not convey any rights to reproduce, disclose its contents, or to manufacture, use or sell anything it may describe. Reproduction, disclosure or use without specific written authorization of Pulse is strictly forbidden.

For more information:

Pulse Worldwide Headquarters  
15255 Innovation Drive #100  
San Diego, CA 92128  
USA  
Tel: 1-858-674-8100

Pulse/Larsen Antennas  
18110 SE 34<sup>th</sup> St Bldg 2 Suite 250  
Vancouver, WA 98683  
USA  
Tel: 1-360-944-7551

Europe Headquarters  
Pulse GmbH & Do, KG  
Zeppelinstrasse 15  
Herrenberg, Germany  
Tel: 49 7032 7806 0

Pulse (Suzhou) Wireless Products Co, Inc.  
99 Huo Ju Road(#29 Bldg,4<sup>th</sup> Phase  
Suzhou New District  
Jiangsu Province, Suzhou 215009 PR China  
Tel: 86 512 6807 9998



Series: V-Thinity

**Description:** In Building Public Safety  
Antenna 450-490 MHz

**PART NUMBER: PSIBUHF**

### ELECTRICAL SPECIFICATIONS

Frequency	450-490MHz
Nominal Impedance	50 Ω
VSWR *	2:1
Peak Gain *	4.5 dBi
Total Efficiency *	70 %
Power Withstand	6 watts
* See test setup definition	

### MECHANICAL SPECIFICATIONS

Antenna Color / Material	White
Weight	700g (TBC)
Connector Type	N Female
Cable Type	RG402 Ø 4mm / 0.16"
Cable length	500mm / 19.7"
Cable retention: Pull off	30 N
Fixing system	4pcs M6 hex slot bolt & nut

### ENVIRONMENTAL SPECIFICATIONS

Storage temperature	MIL STD 801G: 24h at 85C and 24h at -40C
Temperature shock	MIL STD 810G: Method 503.5, -40 for 1 hr to +85C for 1 hr @ 15 deg.C/min rate of change; 3 cycles
Humidity	MIL STD 810G: 24h at 60C and 95%RH
Vibration	MIL STD 810G: 514.6 C-II

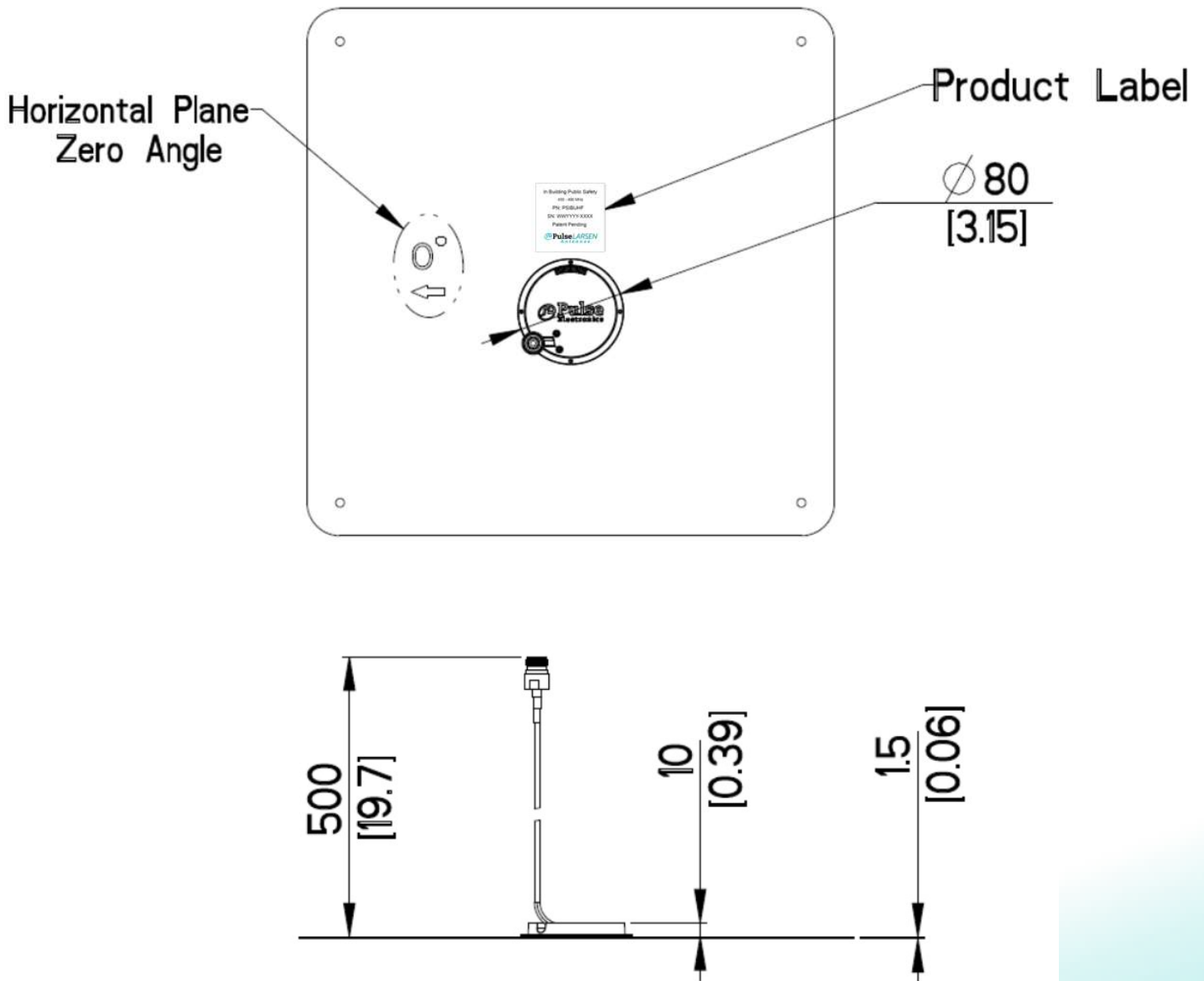
Issue: 1713

In the effort to improve our products, we reserve the right to make changes judged to be necessary.

CONFIDENTIAL AND PROPRIETARY INFORMATION

This document contains confidential and proprietary information of Pulse Electronics, Inc. (Pulse) and is protected by copyright, trade secret and other state and federal laws. Its receipt or possession does not convey any rights to reproduce, disclose its contents, or to manufacture, use or sell anything it may describe. Reproduction, disclosure or use without specific written authorization of Pulse is strictly forbidden.

**MECHANICAL DRAWING**



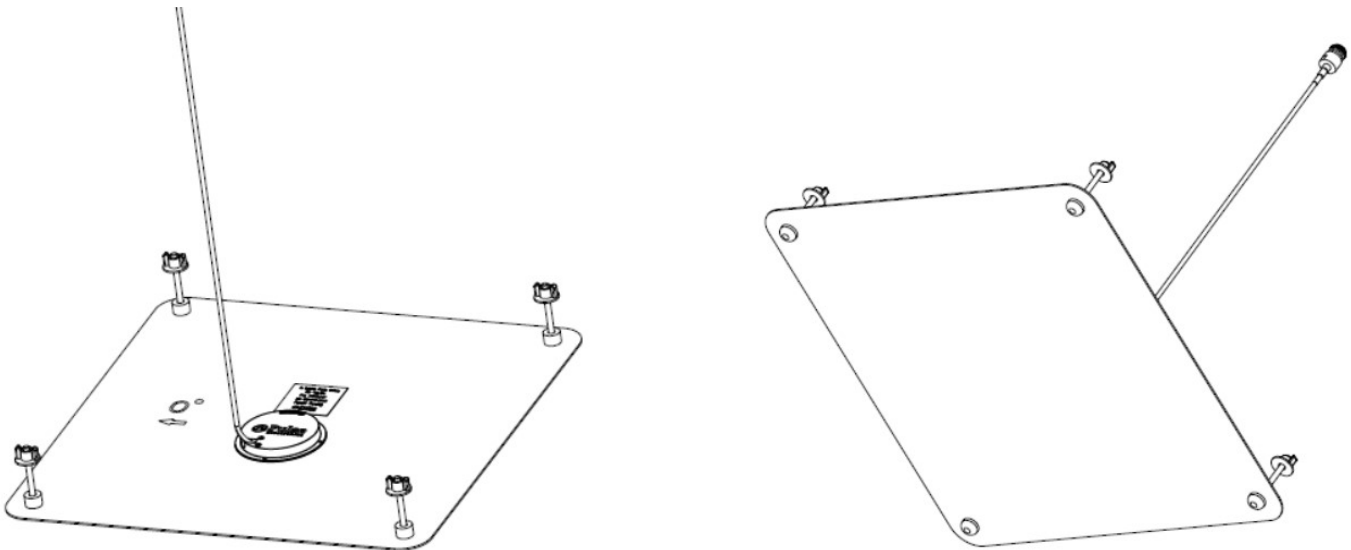
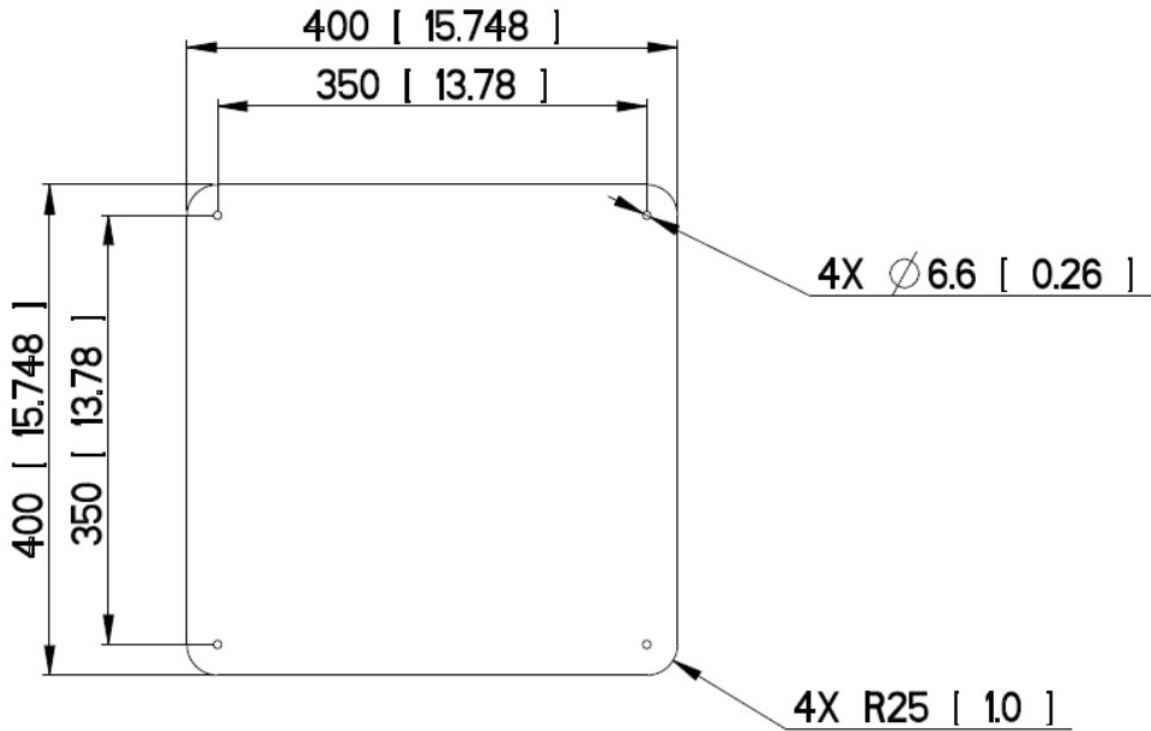
Issue: 1713

In the effort to improve our products, we reserve the right to make changes judged to be necessary.

CONFIDENTIAL AND PROPRIETARY INFORMATION

This document contains confidential and proprietary information of Pulse Electronics, Inc. (Pulse) and is protected by copyright, trade secret and other state and federal laws. Its receipt or possession does not convey any rights to reproduce, disclose its contents, or to manufacture, use or sell anything it may describe. Reproduction, disclosure or use without specific written authorization of Pulse is strictly forbidden.

**MECHANICAL DRAWING**



Issue: 1713

In the effort to improve our products, we reserve the right to make changes judged to be necessary.

CONFIDENTIAL AND PROPRIETARY INFORMATION

This document contains confidential and proprietary information of Pulse Electronics, Inc. (Pulse) and is protected by copyright, trade secret and other state and federal laws. Its receipt or possession does not convey any rights to reproduce, disclose its contents, or to manufacture, use or sell anything it may describe. Reproduction, disclosure or use without specific written authorization of Pulse is strictly forbidden.

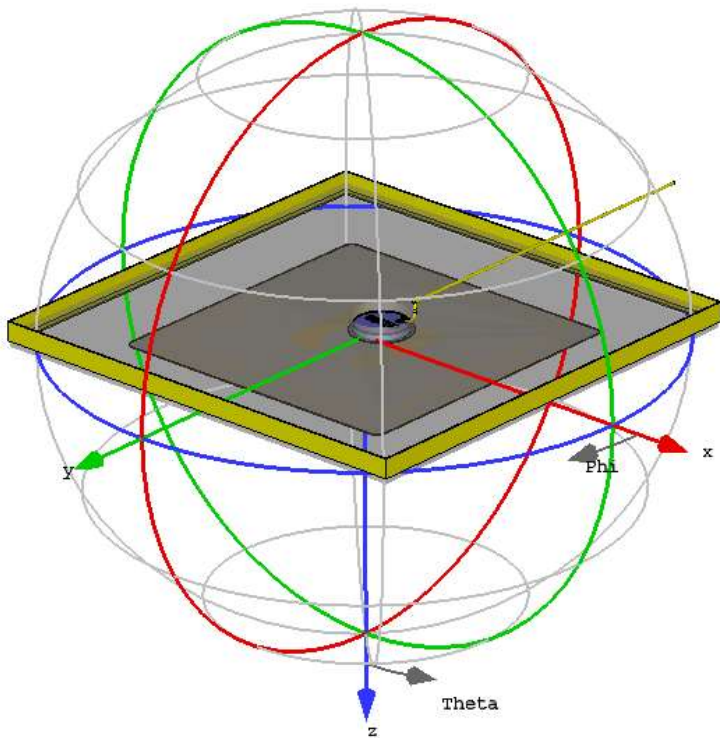
**Description:** In Building Public Safety  
Antenna 450-490 MHz

**Series:** V-Thinity

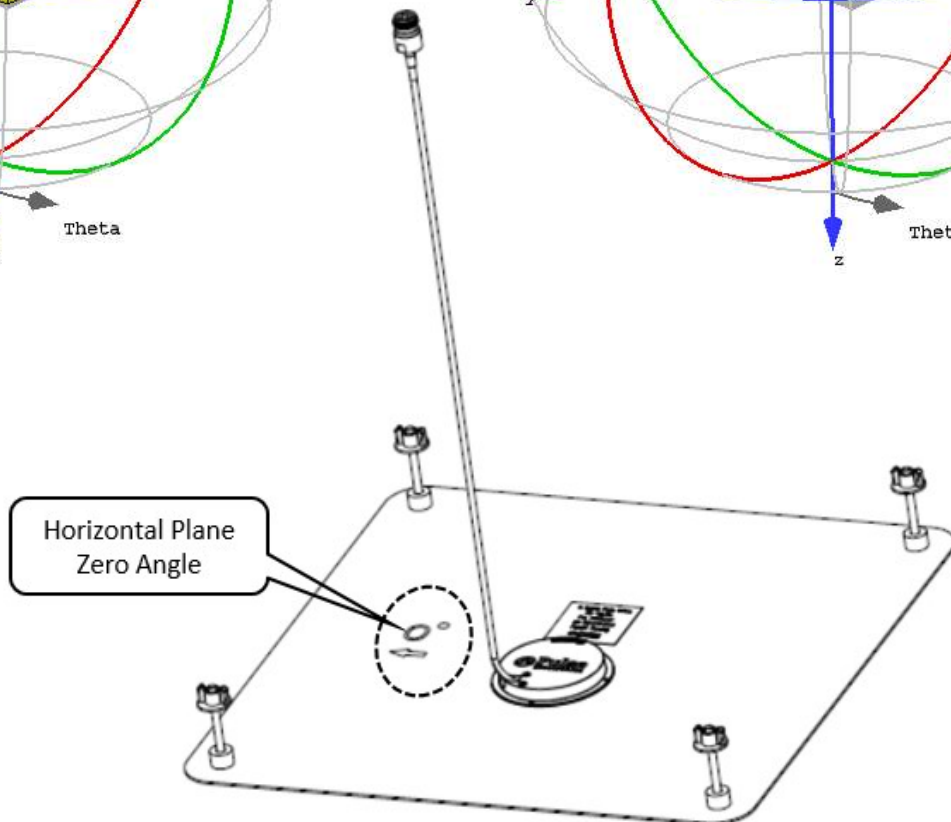
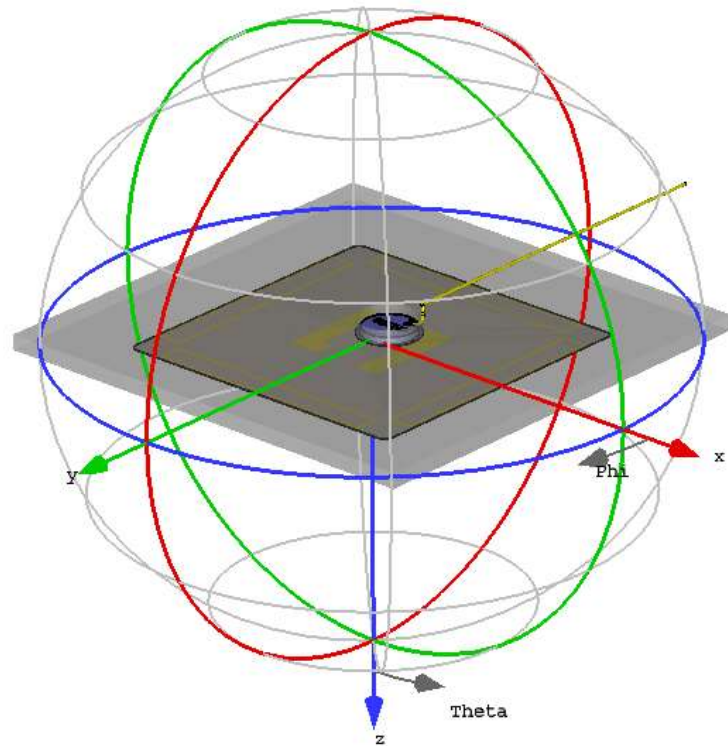
**PART NUMBER:** PSIBUHF

**TEST SETUP**

Test setup with 2x2ft ceiling tile and metal rails



Test setup with 13mm drywall sheet



Issue: 1713

In the effort to improve our products, we reserve the right to make changes judged to be necessary.

CONFIDENTIAL AND PROPRIETARY INFORMATION

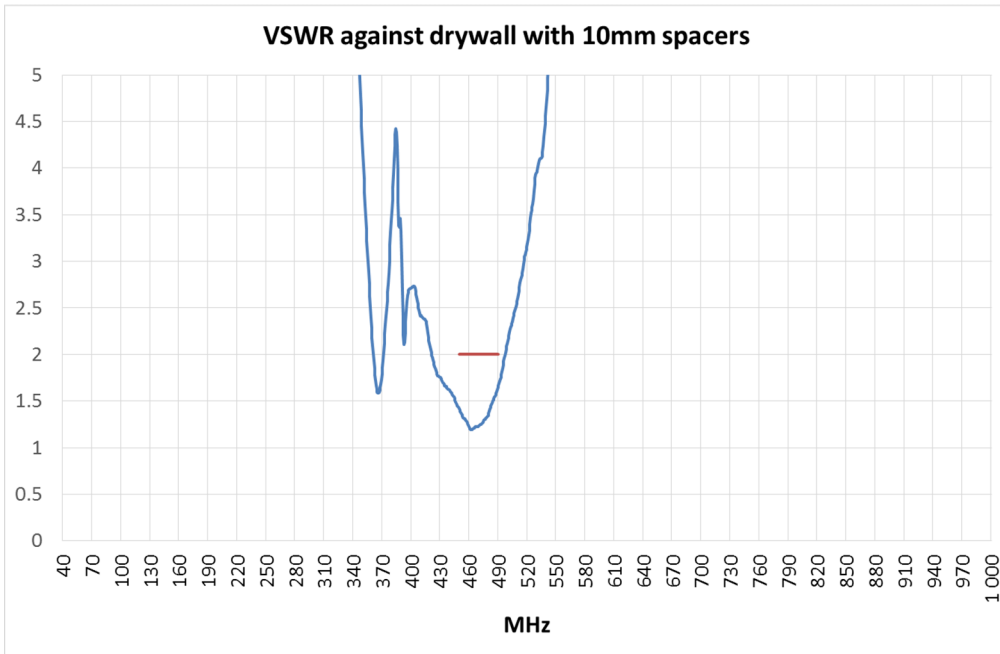
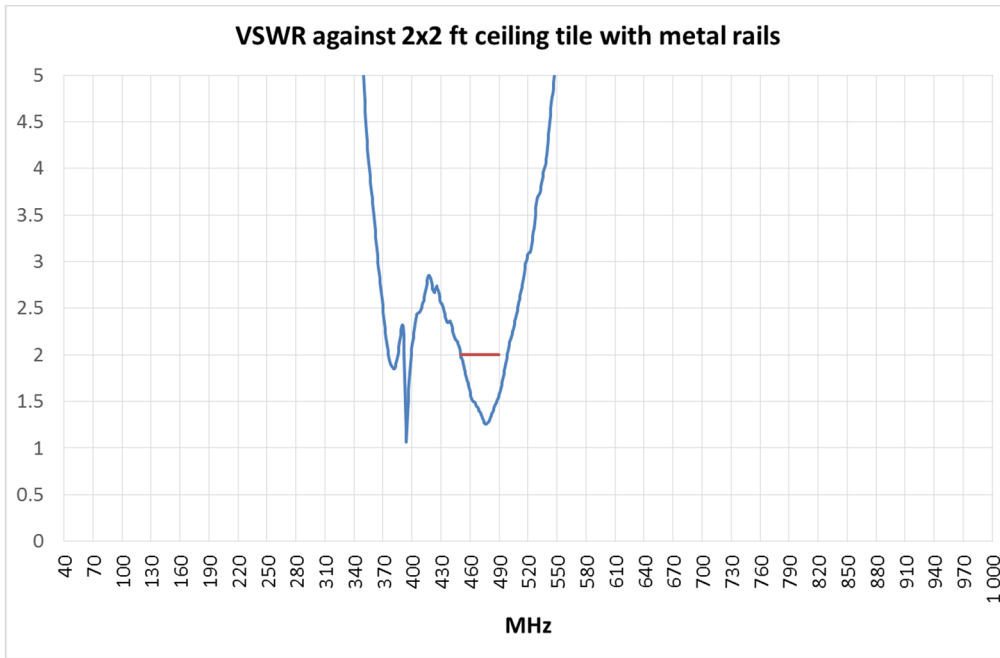
This document contains confidential and proprietary information of Pulse Electronics, Inc. (Pulse) and is protected by copyright, trade secret and other state and federal laws. Its receipt or possession does not convey any rights to reproduce, disclose its contents, or to manufacture, use or sell anything it may describe. Reproduction, disclosure or use without specific written authorization of Pulse is strictly forbidden.

**Description:** In Building Public Safety  
Antenna 450-490 MHz

**Series:** V-Thinity

**PART NUMBER:** PSIBUHF

**CHARTS**



Issue: 1713

In the effort to improve our products, we reserve the right to make changes judged to be necessary.

CONFIDENTIAL AND PROPRIETARY INFORMATION

This document contains confidential and proprietary information of Pulse Electronics, Inc. (Pulse) and is protected by copyright, trade secret and other state and federal laws. Its receipt or possession does not convey any rights to reproduce, disclose its contents, or to manufacture, use or sell anything it may describe. Reproduction, disclosure or use without specific written authorization of Pulse is strictly forbidden.

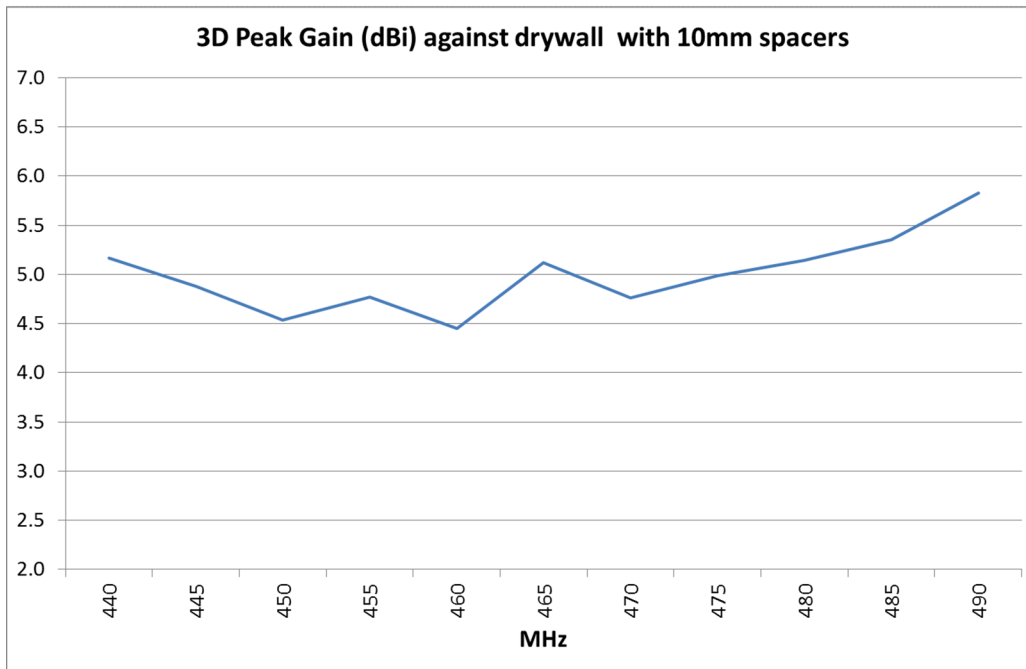
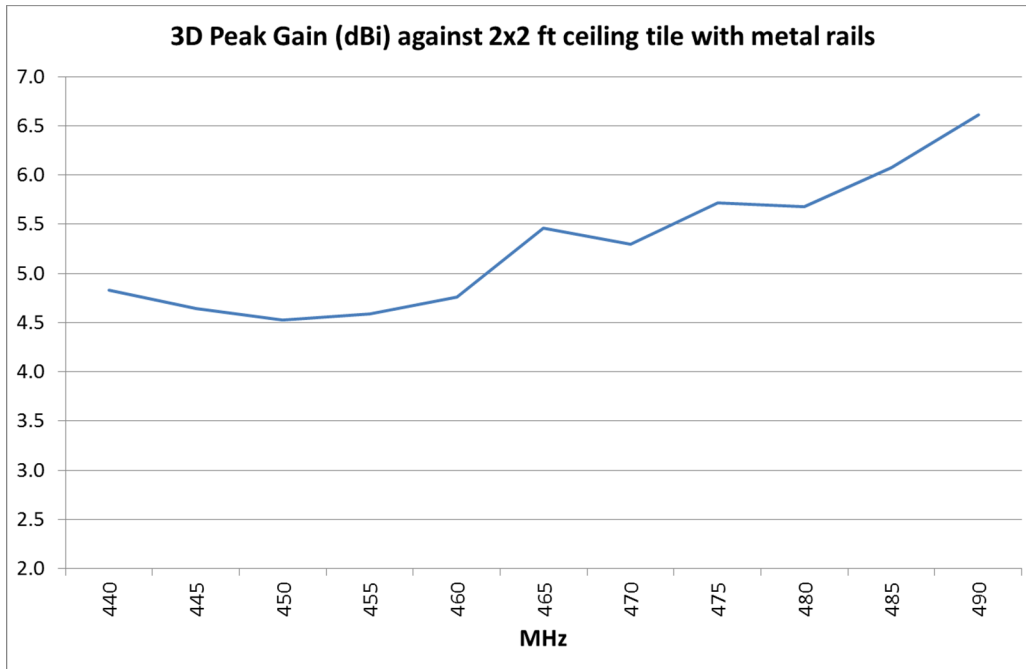


**Description:** In Building Public Safety  
Antenna 450-490 MHz

**Series:** V-Thinity

**PART NUMBER:** PSIBUHF

**CHARTS**



Issue: 1713

In the effort to improve our products, we reserve the right to make changes judged to be necessary.

CONFIDENTIAL AND PROPRIETARY INFORMATION

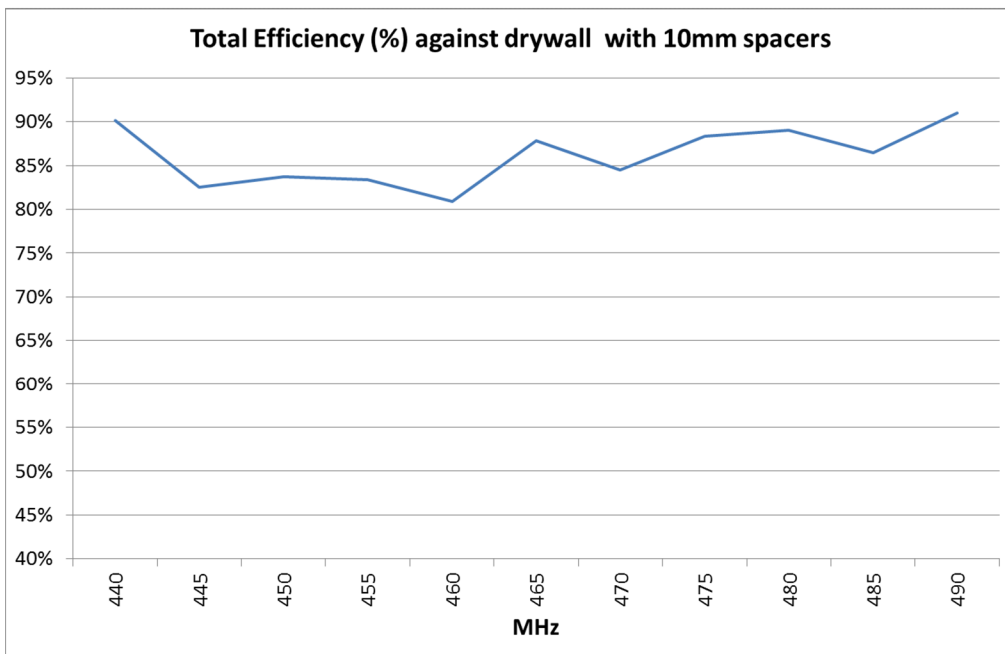
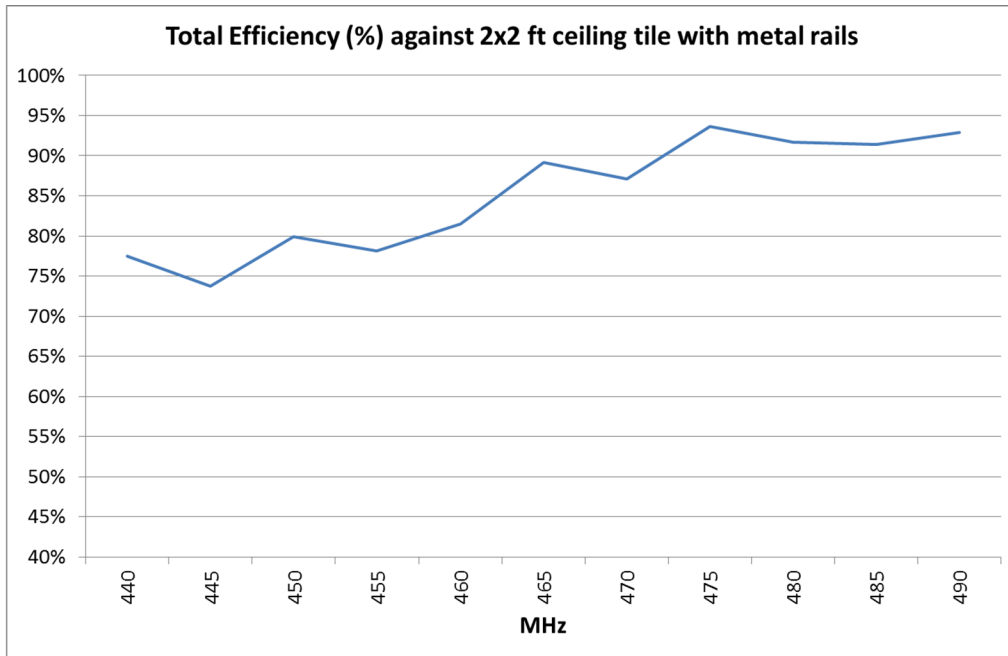
This document contains confidential and proprietary information of Pulse Electronics, Inc. (Pulse) and is protected by copyright, trade secret and other state and federal laws. Its receipt or possession does not convey any rights to reproduce, disclose its contents, or to manufacture, use or sell anything it may describe. Reproduction, disclosure or use without specific written authorization of Pulse is strictly forbidden.

**Description:** In Building Public Safety  
Antenna 450-490 MHz

**Series:** V-Thinity

**PART NUMBER:** PSIBUHF

**CHARTS**



Issue: 1713

In the effort to improve our products, we reserve the right to make changes judged to be necessary.

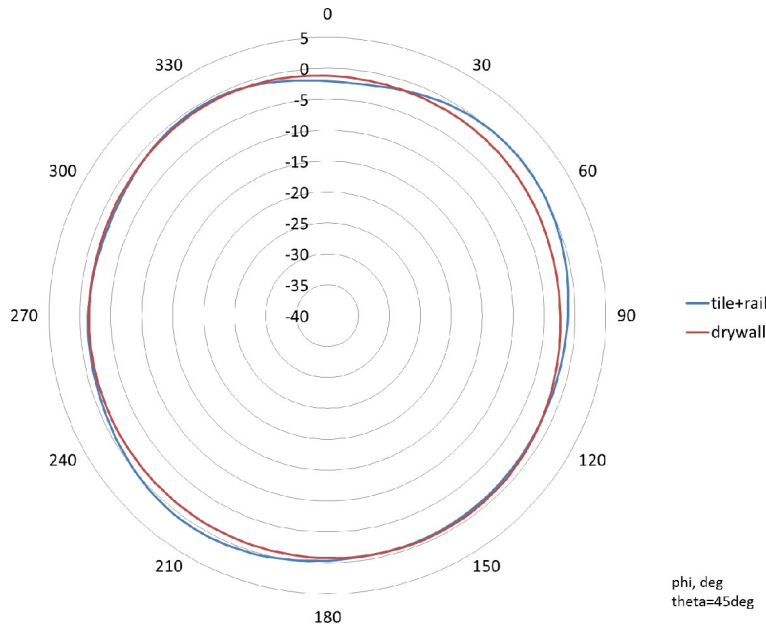
CONFIDENTIAL AND PROPRIETARY INFORMATION

This document contains confidential and proprietary information of Pulse Electronics, Inc. (Pulse) and is protected by copyright, trade secret and other state and federal laws. Its receipt or possession does not convey any rights to reproduce, disclose its contents, or to manufacture, use or sell anything it may describe. Reproduction, disclosure or use without specific written authorization of Pulse is strictly forbidden.

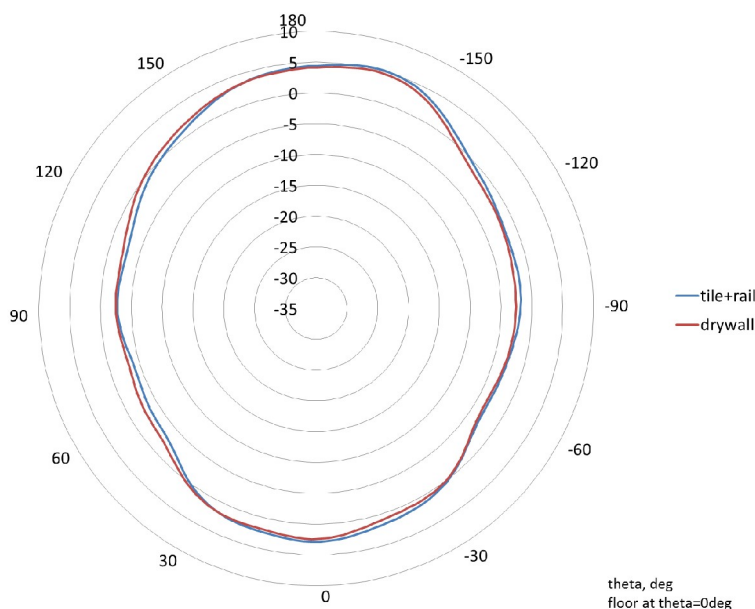


**CHARTS**

**Horizontal cut**



**Vertical cut, Phi=90deg**



Issue: 1713

In the effort to improve our products, we reserve the right to make changes judged to be necessary.

CONFIDENTIAL AND PROPRIETARY INFORMATION

This document contains confidential and proprietary information of Pulse Electronics, Inc. (Pulse) and is protected by copyright, trade secret and other state and federal laws. Its receipt or possession does not convey any rights to reproduce, disclose its contents, or to manufacture, use or sell anything it may describe. Reproduction, disclosure or use without specific written authorization of Pulse is strictly forbidden.

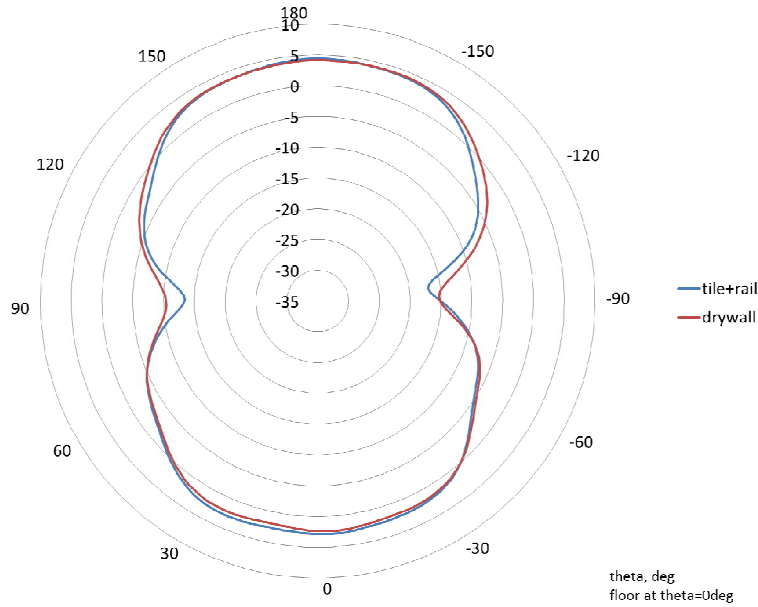
**Description:** In Building Public Safety  
Antenna 450-490 MHz

**Series:** V-Thinity

**PART NUMBER:** PSIBUHF

**CHARTS**

**Vertical cut, Phi=0deg**



Issue: 1713

In the effort to improve our products, we reserve the right to make changes judged to be necessary.

CONFIDENTIAL AND PROPRIETARY INFORMATION

This document contains confidential and proprietary information of Pulse Electronics, Inc. (Pulse) and is protected by copyright, trade secret and other state and federal laws. Its receipt or possession does not convey any rights to reproduce, disclose its contents, or to manufacture, use or sell anything it may describe. Reproduction, disclosure or use without specific written authorization of Pulse is strictly forbidden.

Series: V-Thinity

**Description:** In Building Public Safety  
Antenna 450-490 MHz

**PART NUMBER: PSIBUHF**

## PACKAGING

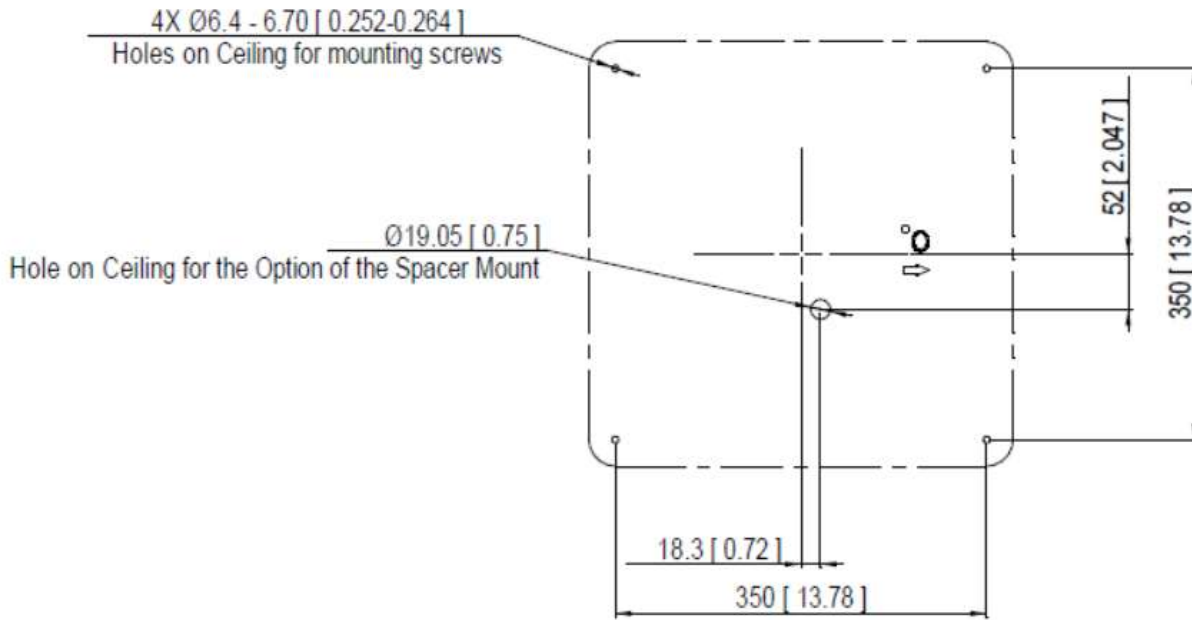
- Each antenna packed in a plastic bag and a single box
- 1 label on each antenna with Part number, Description, Serial number, date code
- 34 single boxes of antennas (TBD) packed in a master carton.
- 1 label on each carton with Qty, Part number, Date code.

**Description:** In Building Public Safety  
Antenna 450-490 MHz

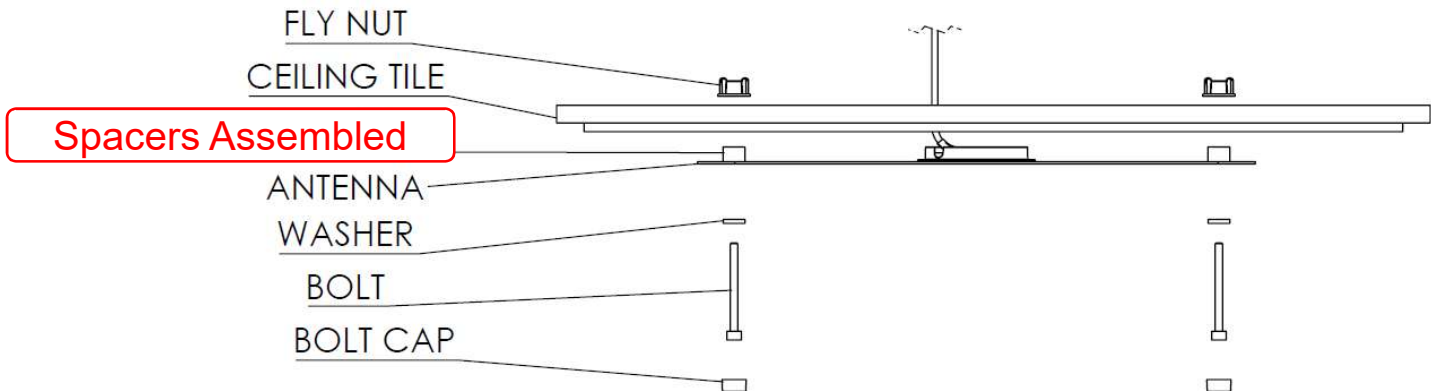
**Series:** V-Thinity

**PART NUMBER:** PSIBUHF

Option - 1 Spacer Mount on Ceiling  
(The Spacers are assemoved)



P.S.: View from the Downside of the Ceiling.



Issue: 1713

In the effort to improve our products, we reserve the right to make changes judged to be necessary.

CONFIDENTIAL AND PROPRIETARY INFORMATION

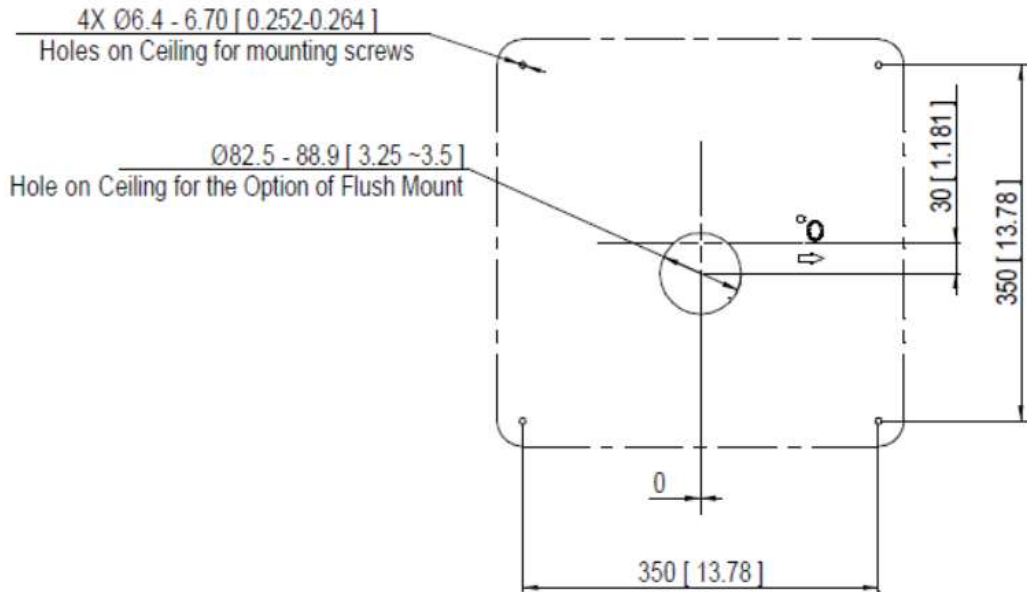
This document contains confidential and proprietary information of Pulse Electronics, Inc. (Pulse) and is protected by copyright, trade secret and other state and federal laws. Its receipt or possession does not convey any rights to reproduce, disclose its contents, or to manufacture, use or sell anything it may describe. Reproduction, disclosure or use without specific written authorization of Pulse is strictly forbidden.

**Description:** In Building Public Safety  
Antenna 450-490 MHz

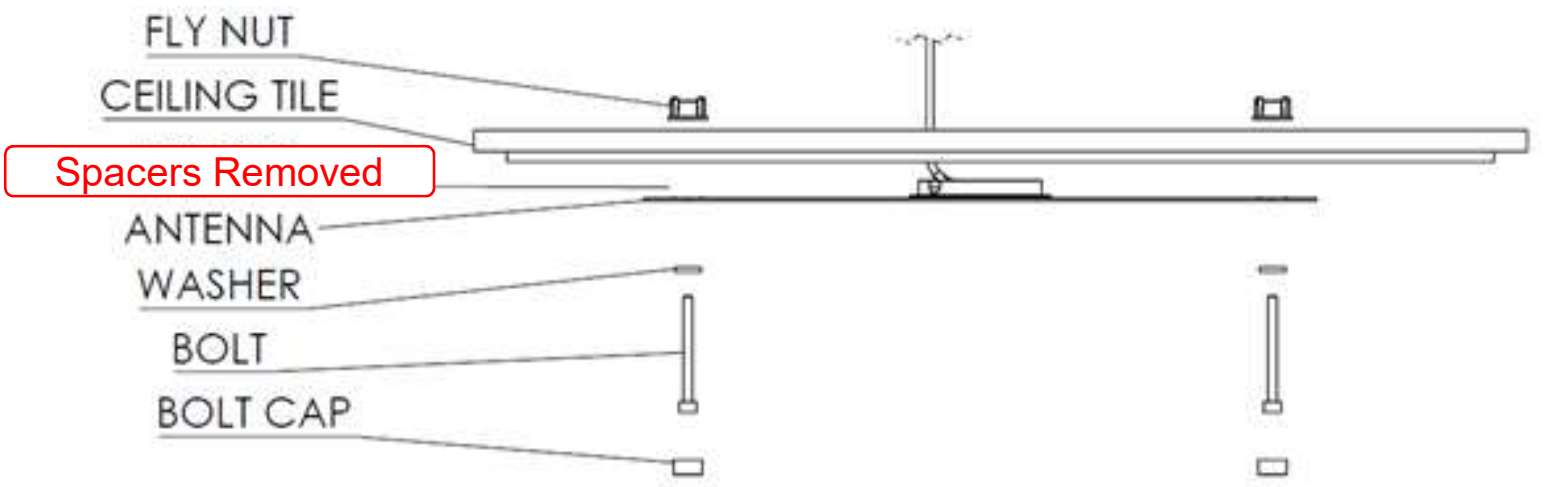
**Series:** V-Thinity

**PART NUMBER:** PSIBUHF

Option - 2 Flush Mount on Ceiling  
(The Spacers are removed)



P.S.: View from the Downside of the Ceiling.





Компания «ЭлектроПласт» предлагает заключение долгосрочных отношений при поставках импортных электронных компонентов на взаимовыгодных условиях!

Наши преимущества:

- Оперативные поставки широкого спектра электронных компонентов отечественного и импортного производства напрямую от производителей и с крупнейших мировых складов;
- Поставка более 17-ти миллионов наименований электронных компонентов;
- Поставка сложных, дефицитных, либо снятых с производства позиций;
- Оперативные сроки поставки под заказ (от 5 рабочих дней);
- Экспресс доставка в любую точку России;
- Техническая поддержка проекта, помощь в подборе аналогов, поставка прототипов;
- Система менеджмента качества сертифицирована по Международному стандарту ISO 9001;
- Лицензия ФСБ на осуществление работ с использованием сведений, составляющих государственную тайну;
- Поставка специализированных компонентов (Xilinx, Altera, Analog Devices, Intersil, Interpoint, Microsemi, Aeroflex, Peregrine, Syfer, Eurofarad, Texas Instrument, Miteq, Cobham, E2V, MA-COM, Hittite, Mini-Circuits, General Dynamics и др.);

Помимо этого, одним из направлений компании «ЭлектроПласт» является направление «Источники питания». Мы предлагаем Вам помощь Конструкторского отдела:

- Подбор оптимального решения, техническое обоснование при выборе компонента;
- Подбор аналогов;
- Консультации по применению компонента;
- Поставка образцов и прототипов;
- Техническая поддержка проекта;
- Защита от снятия компонента с производства.



#### Как с нами связаться

**Телефон:** 8 (812) 309 58 32 (многоканальный)

**Факс:** 8 (812) 320-02-42

**Электронная почта:** [org@eplast1.ru](mailto:org@eplast1.ru)

**Адрес:** 198099, г. Санкт-Петербург, ул. Калинина, дом 2, корпус 4, литера А.