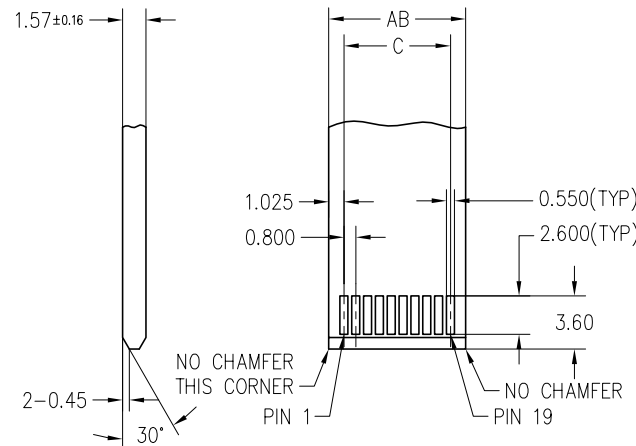
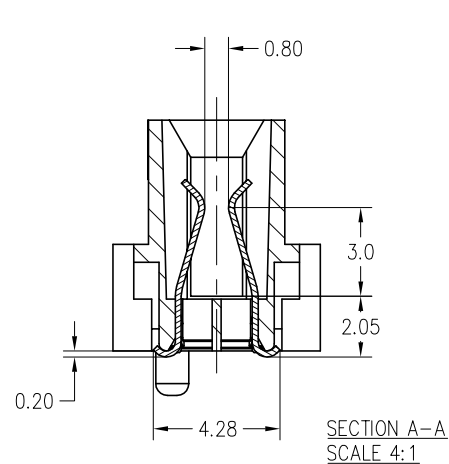
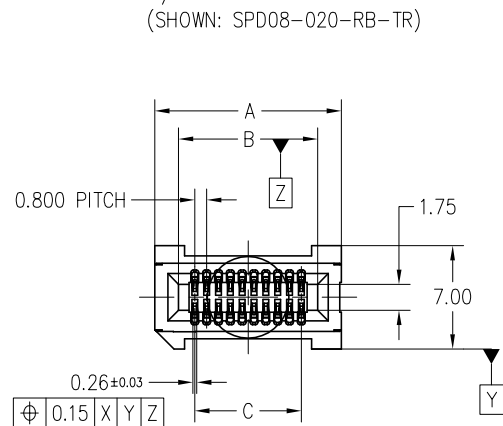


3M™ High-Speed Card-Edge CONNECTOR, SPD08

FIG. 1  
FOR POSITIONS 020, 040, 060,  
W/O LATCH OPTION  
(SHOWN: SPD08-020-RB-TR)



NOTES:

- MATERIAL:  
HOUSING: GLASS FILLED LCP, BLACK, UL 94V-0.  
LATCH: GLASS FILLED LCP, BEIGE, UL 94V-0.  
SOLDER TAB: COPPER ALLOY.  
CONTACT: COPPER ALLOY.
- FINISH:  
GOLD PLATING ON CONTACT MATING AREA,  
3~5um MATTE TIN ON SOLDER TAIL,  
1.27um NICKEL UNDER PLATED.
- RATING:  
CURRENT: 3.0A @ 30°C TEMPERATURE RISE.  
VOLTAGE: 50V AC.  
TEMPERATURE: -55 TO 125°C.  
CONTACT RESISTANCE: 50mΩ MAX.  
CHARACTERISTIC IMPEDANCE: 50Ω SINGLE-ENDED,  
100Ω DIFFERENTIAL.  
BANDWIDTH: 7.5GHz (RATED @ -3dB INSERTION LOSS,  
30mm STACK HEIGHT)
- ROHS COMPLIANT.
- PART NUMBERING INFORMATION:

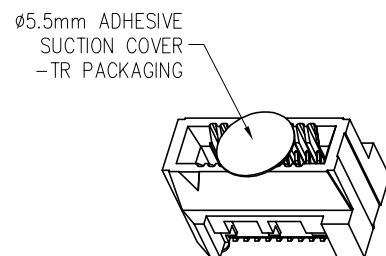
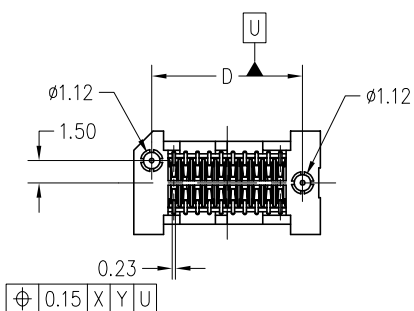
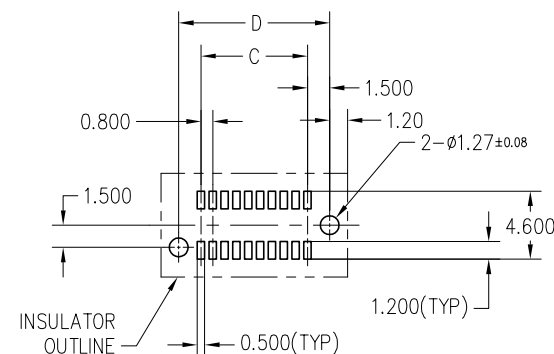
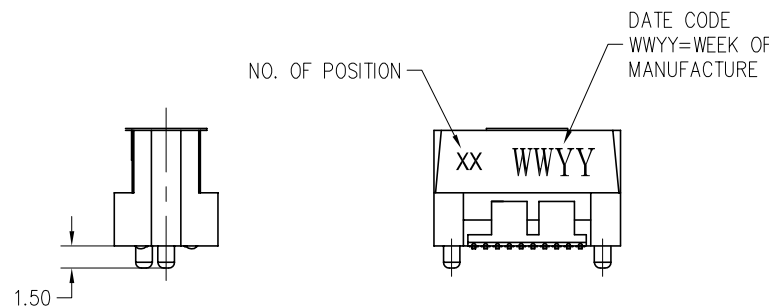
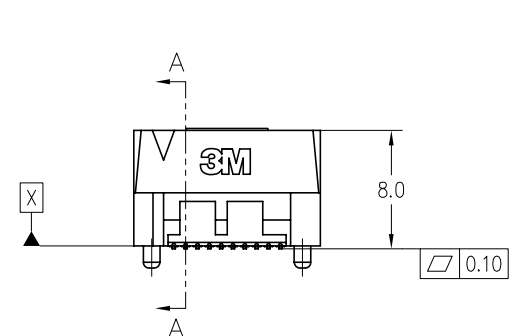
SPD08-XXX-X-XX-XX

NO OF POSITIONS  
020, 040, 060 (SEE FIG. 1, 3)  
064, 080, 100, 120, 140,  
160, 180, 200 (SEE FIG. 2, 4)

PACKAGING OPTION  
BLANK= TRAY  
TR= TAPE & REEL

PLATING OPTION  
RB= 0.76um GOLD  
RA= 0.25um GOLD

LATCHING OPTION  
BLANK= W/O LATCH (SEE FIG. 1, 2)  
L = WITH LATCH (SEE FIG. 3, 4)



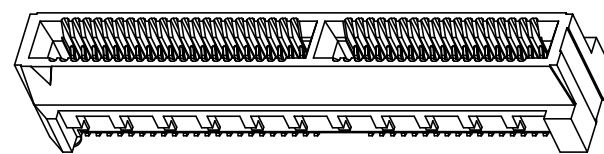
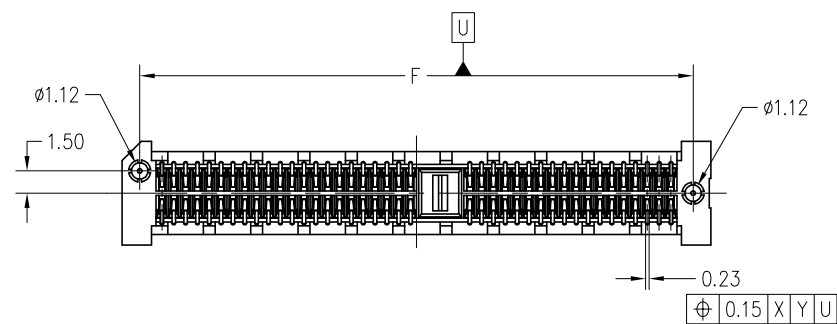
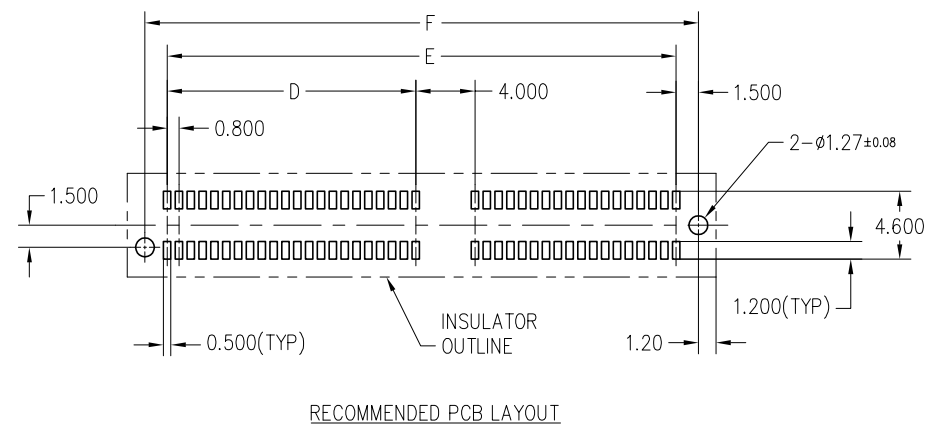
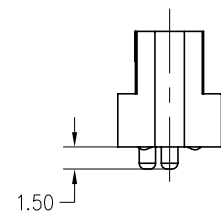
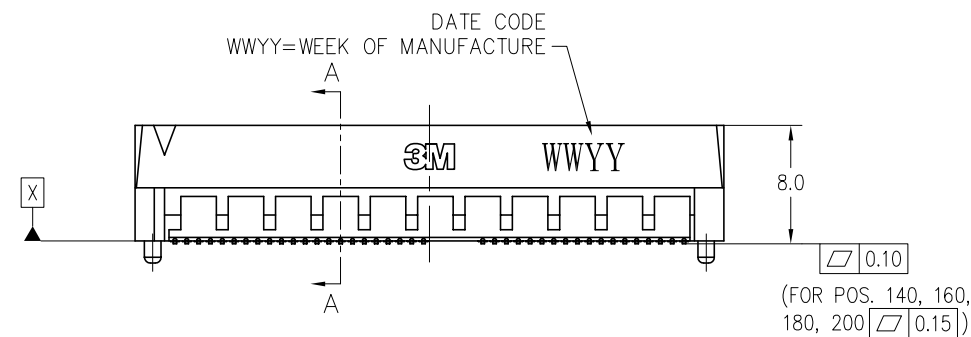
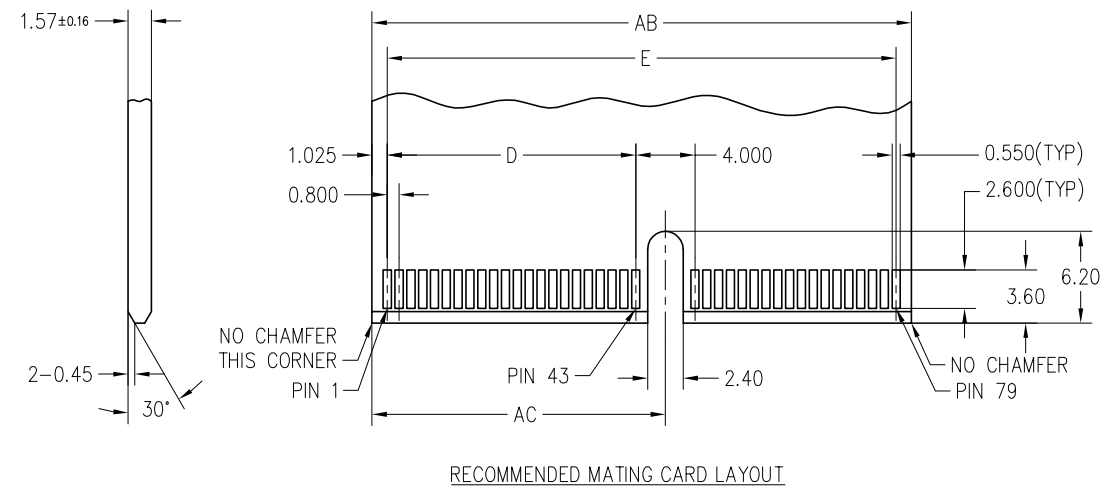
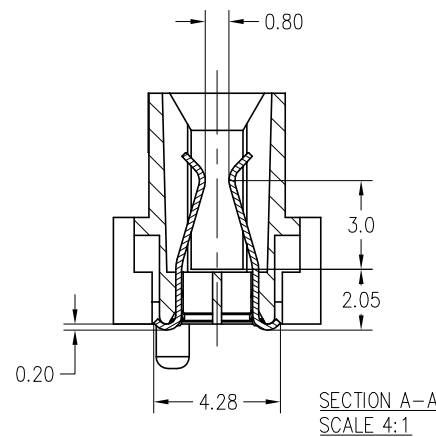
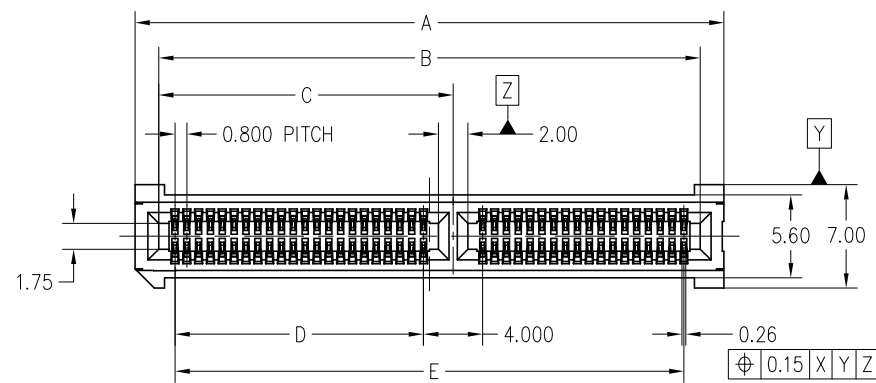
| POS. | DIMENSIONS |       |        |       |       |
|------|------------|-------|--------|-------|-------|
|      | A          | B     | C      | D     | AB    |
| 20*  | 12.60      | 9.40  | 7.200  | 10.20 | 9.25  |
| 40   | 20.60      | 17.40 | 15.200 | 18.20 | 17.25 |
| 60   | 28.60      | 25.40 | 23.200 | 26.20 | 25.25 |

\* TOOLED SIZE

|                        |  |  |          |                            |            |      |
|------------------------|--|--|----------|----------------------------|------------|------|
| DESIGN REFERENCE       | NEXT ASSEMBLY  | REV  | ECO      | ISSUE DATE AND DESCRIPTION | DRFT       | CHKD |
| DISTRIBUTION CODES     |  | DRFT   | K.D. LIU | DATE 05/11'11              | MFG        | DATE |
|                        |  | CHKD   |          | DATE                       | APPLY      | DATE |
| DIVISION ESD           | DIVISION CODE  | © 3M COPYRIGHT<br>This document is the copyrighted property of the 3M Company and may not be reproduced without 3M written permission or used for other than 3M authorized purposes. |          |                            |            |      |
| DO NOT SCALE DRAWING   | SCALE 2:1  | TOLERANCES EXCEPT AS NOTED<br>INCHES<br>.0 ±<br>.00 ±<br>.000 ±<br>.0000 ±<br>MILLIMETERS<br>0 ± 0.50<br>.0 ± 0.20<br>.00 ± 0.10<br>.000 ± 0.05<br>ANGLES ± 3°                       |          |                            |            |      |
| THIRD ANGLE PROJECTION | INTERPRET PER ASME Y14.5 - 1994  | TITLE<br>SPD08 HIGH SPEED CARD EDGE CONNECTOR, 0.8MM PITCH SMT   |          |                            |            |      |
| MAX SURFACE ROUGHNESS  | <input type="checkbox"/> ALL SURFACES<br><input checked="" type="checkbox"/> MARKED ONLY | CAGE NUMBER  | SIZE C   | DRAWING NO.                | REV. A     |      |
|                        |  | 78-5100-2420-7   |          |                            | SHT 1 OF 4 |      |

3M™ High-Speed Card-Edge CONNECTOR, SPD08

FIG. 2  
FOR POSITIONS 064, 080, 100, 120,  
140, 160, 180, 200, W/O LATCH OPTION  
(SHOWN: SPD08-080-RB)



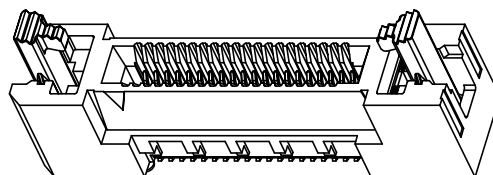
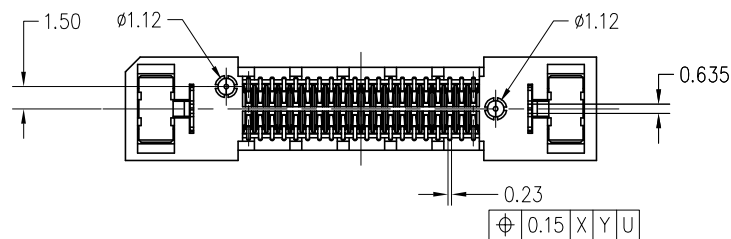
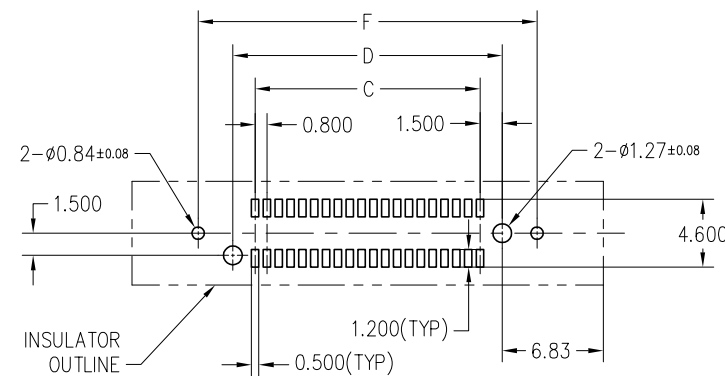
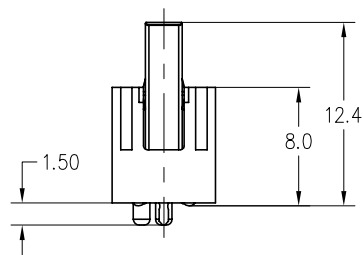
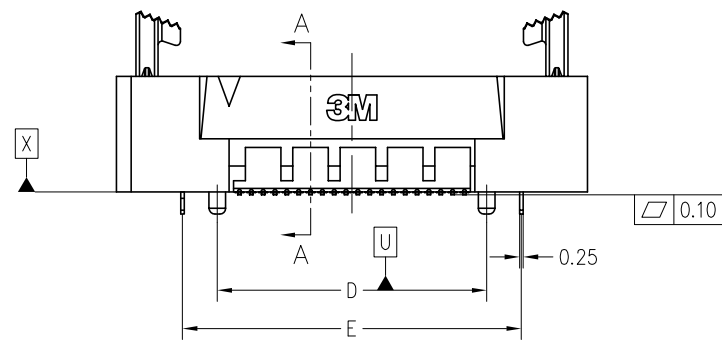
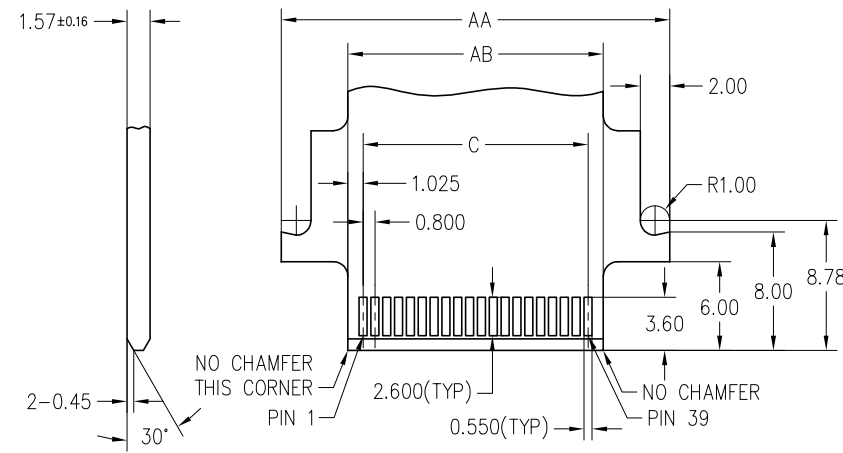
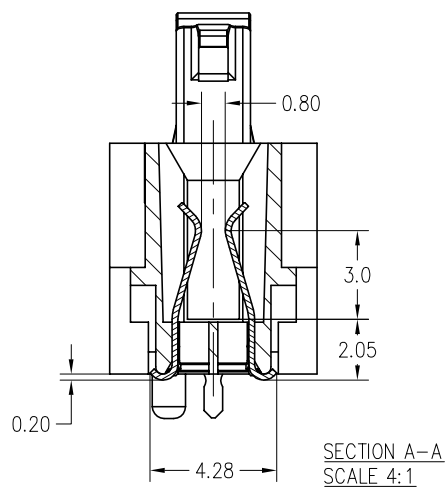
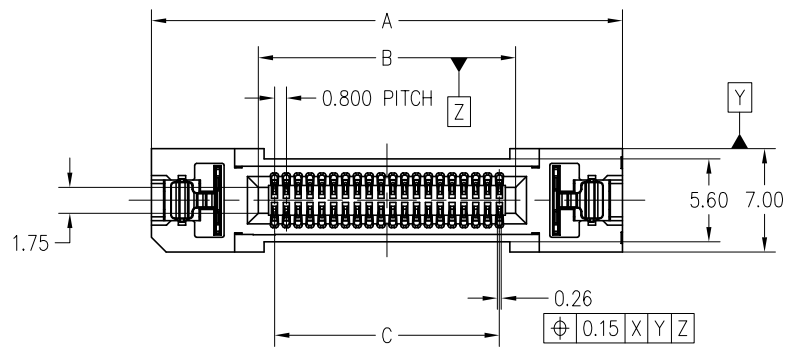
| POS. | DIMENSIONS |       |       |        |        |       |       |        |
|------|------------|-------|-------|--------|--------|-------|-------|--------|
|      | A          | B     | C     | D      | E      | F     | AB    | AC     |
| 64   | 33.40      | 30.20 | 16.70 | 13.600 | 28.000 | 31.00 | 30.05 | 16.625 |
| 80*  | 39.80      | 36.60 | 19.90 | 16.800 | 34.400 | 37.40 | 36.45 | 19.825 |
| 100  | 47.80      | 44.60 | 23.90 | 20.800 | 42.400 | 45.40 | 44.45 | 23.825 |
| 120  | 55.80      | 52.60 | 27.90 | 24.800 | 50.400 | 53.40 | 52.45 | 27.825 |
| 140  | 63.80      | 60.60 | 27.90 | 24.800 | 58.400 | 61.40 | 60.45 | 27.825 |
| 160  | 71.80      | 68.60 | 27.90 | 24.800 | 66.400 | 69.40 | 68.45 | 27.825 |
| 180  | 79.80      | 76.60 | 27.90 | 24.800 | 74.400 | 77.40 | 76.45 | 27.825 |
| 200  | 87.80      | 84.60 | 27.90 | 24.800 | 82.400 | 85.40 | 84.45 | 27.825 |

\* TOOLED SIZE

|                        |  |  |          |                            |  |            |
|------------------------|--|--|----------|----------------------------|--|------------|
| DESIGN REFERENCE       | NEXT ASSEMBLY  | REV  | ECO      | ISSUE DATE AND DESCRIPTION | DRFT   | CHKD       |
|                        |  |  |          | DATE 05/11/11              | DATE   | DATE       |
| DISTRIBUTION CODES     |  | DRFT   | K.D. LIU | MFG                        |  |            |
|                        |  | CHKD   |          | APPLY                      |  |            |
| DIVISION ESD           | DIVISION CODE  | © 3M COPYRIGHT<br>This document is the copyrighted property of the 3M Company and may not be reproduced without 3M written permission or used for other than 3M authorized purposes. |          |                            |  |            |
| DO NOT SCALE DRAWING   | SCALE 2:1  | TOLERANCES EXCEPT AS NOTED<br>INCHES<br>.0 ±<br>.00 ±<br>.000 ±<br>.0000 ±<br>MILLIMETERS<br>0 ± 0.50<br>.0 ± 0.20<br>.00 ± 0.10<br>.000 ± 0.05<br>ANGLES ± 3°                       |          |                            |  |            |
| THIRD ANGLE PROJECTION | INTERPRET PER ASME Y14.5 - 1994  | TITLE<br>SPD08 HIGH SPEED CARD EDGE CONNECTOR, 0.8MM PITCH SMT   |          |                            |  |            |
| MAX SURFACE ROUGHNESS  | <input type="checkbox"/> ALL SURFACES<br><input checked="" type="checkbox"/> MARKED ONLY | CAGE NUMBER  | SIZE     | DRAWING NO.                | REV.   |            |
|                        |  |  | C        | 78-5100-2420-7             | A  |            |
|                        |  | MODEL  |          | DET. LISTS                 | <input type="checkbox"/> YES <input type="checkbox"/> NO | SHT 2 OF 4 |

3M™ High-Speed Card-Edge CONNECTOR, SPD08

FIG. 3  
FOR POSITIONS 020, 040, 060,  
WITH LATCH OPTION  
(SHOWN: SPD08-040-L-RB)



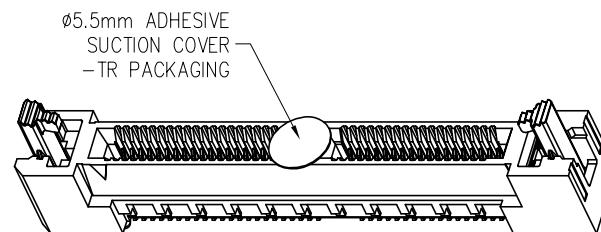
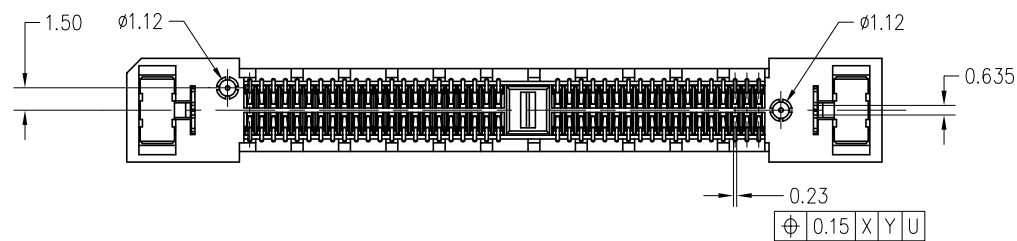
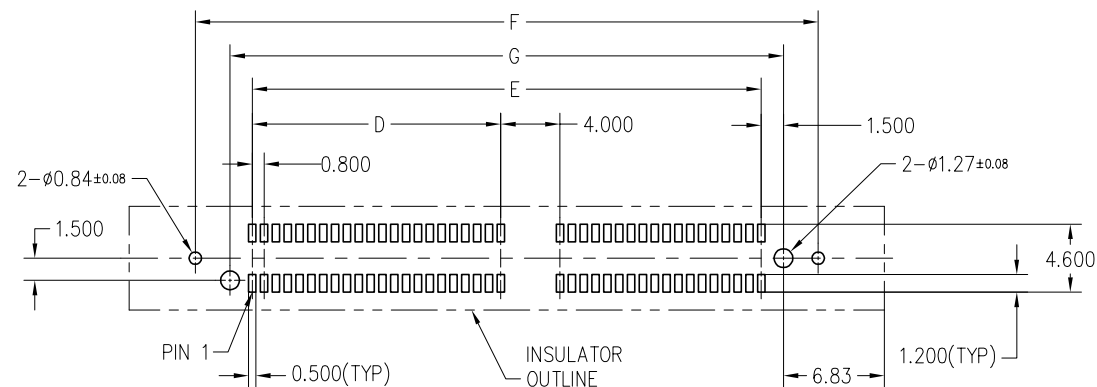
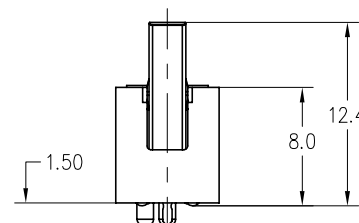
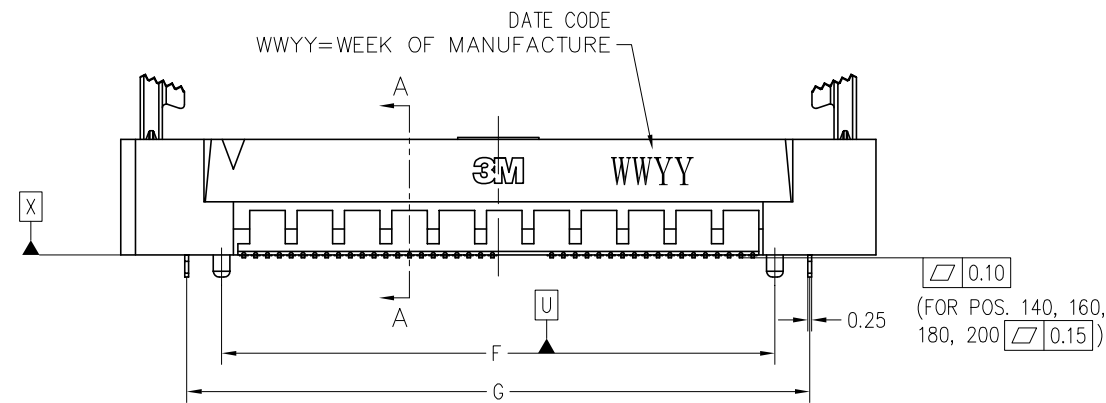
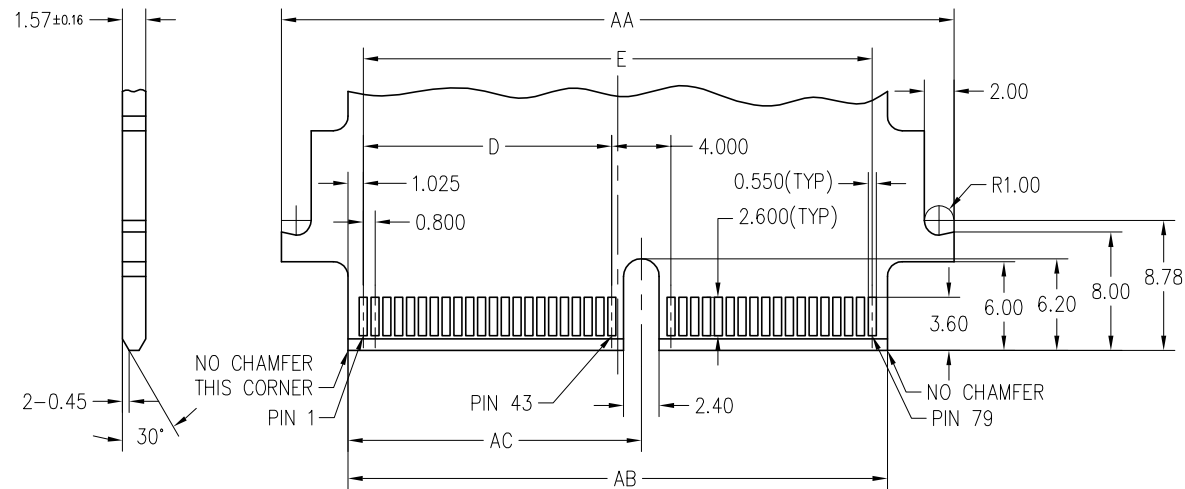
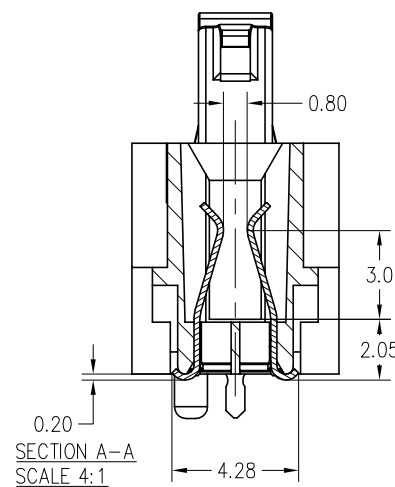
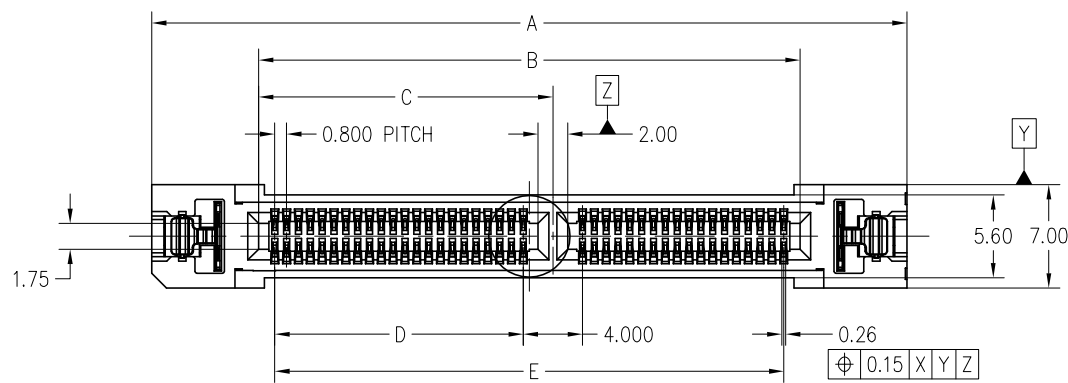
| POS. | DIMENSIONS |       |        |       |       |       |       |
|------|------------|-------|--------|-------|-------|-------|-------|
|      | A          | B     | C      | D     | E     | AA    | AB    |
| 20   | 23.85      | 9.40  | 7.200  | 10.20 | 12.90 | 18.25 | 9.25  |
| 40   | 31.85      | 17.40 | 15.200 | 18.20 | 20.90 | 26.25 | 17.25 |
| 60   | 39.85      | 25.40 | 23.200 | 26.20 | 28.90 | 34.25 | 25.25 |

\* TOOLED SIZE

|   |               |  |          |                            |        |      |
|---|---------------|--|----------|----------------------------|--------|------|
| DESIGN REFERENCE  | NEXT ASSEMBLY | REV  | ECO      | ISSUE DATE AND DESCRIPTION | DRFT   | CHKD |
| DISTRIBUTION CODES  |               | DRFT   | K.D. LIU | DATE 05/11/11              | MFG    | DATE |
|   |               | CHKD   |          | DATE                       | APPLY  | DATE |
| DIVISION ESD  | DIVISION CODE | © 3M COPYRIGHT<br>This document is the copyrighted property of the 3M Company and may not be reproduced without 3M written permission or used for other than 3M authorized purposes. |          |                            |        |      |
| DO NOT SCALE DRAWING  | SCALE 2:1     |  |          |                            |        |      |
| TOLERANCES EXCEPT AS NOTED  |               | TITLE  |          |                            |        |      |
| INCHES<br>.0 ±<br>.00 ±<br>.000 ±<br>.0000 ±                      |               | SPD08 HIGH SPEED CARD EDGE CONNECTOR, 0.8MM PITCH SMT  |          |                            |        |      |
| MILLIMETERS<br>0 ± 0.50<br>.0 ± 0.20<br>.00 ± 0.10<br>.000 ± 0.05 |               |  |          |                            |        |      |
| THIRD ANGLE PROJECTION<br>INTERPRET PER ASME Y14.5 - 1994         |               | CAGE NUMBER  | SIZE C   | DRAWING NO.                | REV. A |      |
| MAX SURFACE ROUGHNESS<br>□ ALL SURFACES<br>✓ □ MARKED ONLY        |               | 78-5100-2420-7   |          | SHT 3 OF 4                 |        |      |
| ANGLES ± 3°   |               | MODEL  |          | DET. LISTS □ YES □ NO      |        |      |

3M™ High-Speed Card-Edge CONNECTOR, SPD08

FIG. 4  
FOR POSITIONS 064, 080, 100, 120,  
140, 160, 180, 200, WITH LATCH OPTION  
(SHOWN: SPD08-080-L-RB-TR)



| POS. | DIMENSIONS |       |       |        |        |       |       |       |       |        |
|------|------------|-------|-------|--------|--------|-------|-------|-------|-------|--------|
|      | A          | B     | C     | D      | E      | F     | G     | AA    | AB    | AC     |
| 64   | 44.65      | 30.20 | 16.70 | 13.600 | 28.000 | 31.00 | 35.70 | 39.05 | 30.05 | 16.625 |
| 80*  | 51.05      | 36.60 | 19.90 | 16.800 | 34.400 | 37.40 | 42.10 | 45.45 | 36.45 | 19.825 |
| 100  | 59.05      | 44.60 | 23.90 | 20.800 | 42.400 | 45.40 | 50.10 | 53.45 | 44.45 | 23.825 |
| 120  | 67.05      | 52.60 | 27.90 | 24.800 | 50.400 | 53.40 | 58.10 | 61.45 | 52.45 | 27.825 |
| 140  | 75.05      | 60.60 | 27.90 | 24.800 | 58.400 | 61.40 | 66.10 | 69.45 | 60.45 | 27.825 |
| 160  | 83.05      | 68.60 | 27.90 | 24.800 | 66.400 | 69.40 | 74.10 | 77.45 | 68.45 | 27.825 |
| 180  | 91.05      | 76.60 | 27.90 | 24.800 | 74.400 | 77.40 | 82.10 | 85.45 | 76.45 | 27.825 |
| 200  | 99.05      | 84.60 | 27.90 | 24.800 | 82.400 | 85.40 | 90.10 | 93.45 | 84.45 | 27.825 |

\* TOOLED SIZE

|  |               |  |   |                            |            |      |
|--|---------------|--|---|----------------------------|------------|------|
| DESIGN REFERENCE   | NEXT ASSEMBLY | REV  | ECO   | ISSUE DATE AND DESCRIPTION | DRFT       | CHKD |
| DISTRIBUTION CODES   |               | DRFT   | K.D. LIU  | DATE 05/11/11              | MFG        | DATE |
|  |               | CHKD   |   | DATE                       | APPLY      | DATE |
| DIVISION ESD   | DIVISION CODE | © 3M COPYRIGHT<br>This document is the copyrighted property of the 3M Company and may not be reproduced without 3M written permission or used for other than 3M authorized purposes. |   |                            |            |      |
| DO NOT SCALE DRAWING   | SCALE 2:1     | TOLERANCES EXCEPT AS NOTED<br>INCHES<br>.0 ±<br>.00 ±<br>.000 ±<br>.0000 ±<br>MILLIMETERS<br>0 ± 0.50<br>.0 ± 0.20<br>.00 ± 0.10<br>.000 ± 0.05<br>ANGLES ± 3°                       |   |                            |            |      |
| THIRD ANGLE PROJECTION   |               | TITLE<br>SPD08 HIGH SPEED CARD EDGE CONNECTOR, 0.8MM PITCH SMT   |   |                            |            |      |
| INTERPRET PER ASME Y14.5 - 1994  |               | CAGE NUMBER  | SIZE C  | DRAWING NO.                | REV. A     |      |
| MAX SURFACE ROUGHNESS  |               | 78-5100-2420-7   |   |                            |            |      |
| <input type="checkbox"/> ALL SURFACES<br><input checked="" type="checkbox"/> MARKED ONLY |               | MODEL  | DET. LISTS <input type="checkbox"/> YES <input type="checkbox"/> NO |                            | SHT 4 OF 4 |      |



Компания «ЭлектроПласт» предлагает заключение долгосрочных отношений при поставках импортных электронных компонентов на взаимовыгодных условиях!

Наши преимущества:

- Оперативные поставки широкого спектра электронных компонентов отечественного и импортного производства напрямую от производителей и с крупнейших мировых складов;
- Поставка более 17-ти миллионов наименований электронных компонентов;
- Поставка сложных, дефицитных, либо снятых с производства позиций;
- Оперативные сроки поставки под заказ (от 5 рабочих дней);
- Экспресс доставка в любую точку России;
- Техническая поддержка проекта, помощь в подборе аналогов, поставка прототипов;
- Система менеджмента качества сертифицирована по Международному стандарту ISO 9001;
- Лицензия ФСБ на осуществление работ с использованием сведений, составляющих государственную тайну;
- Поставка специализированных компонентов (Xilinx, Altera, Analog Devices, Intersil, Interpoint, Microsemi, Aeroflex, Peregrine, Syfer, Eurofarad, Texas Instrument, Miteq, Cobham, E2V, MA-COM, Hittite, Mini-Circuits, General Dynamics и др.);

Помимо этого, одним из направлений компании «ЭлектроПласт» является направление «Источники питания». Мы предлагаем Вам помощь Конструкторского отдела:

- Подбор оптимального решения, техническое обоснование при выборе компонента;
- Подбор аналогов;
- Консультации по применению компонента;
- Поставка образцов и прототипов;
- Техническая поддержка проекта;
- Защита от снятия компонента с производства.



#### Как с нами связаться

**Телефон:** 8 (812) 309 58 32 (многоканальный)

**Факс:** 8 (812) 320-02-42

**Электронная почта:** [org@eplast1.ru](mailto:org@eplast1.ru)

**Адрес:** 198099, г. Санкт-Петербург, ул. Калинина, дом 2, корпус 4, литера А.