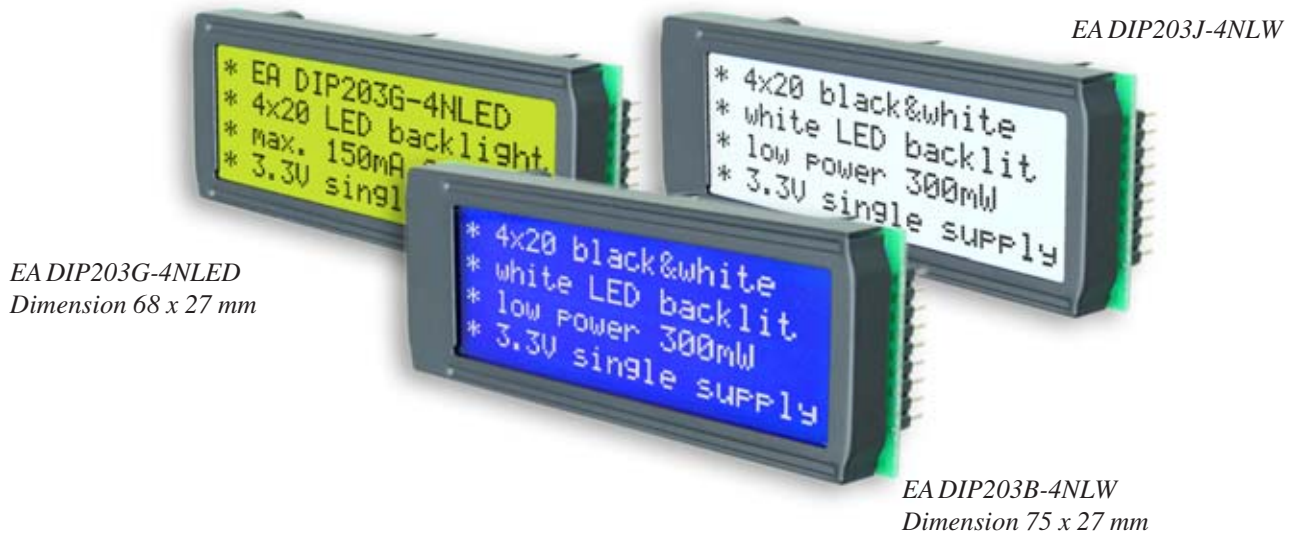


LCD MODULE 4x20 - 3.75mm

Issue 4.2013

INCL. CONTROLLER SSD1803



FEATURES

- * HIGH CONTRAST LCD SUPERTWIST DISPLAY
- * CONTROLLER SSD1803 (NEARLY 100% COMPATIBLE WITH HD44780)
- * INTERFACE FOR 4- AND 8-BIT DATA BUS
- * SERIAL SPI INTERFACE (SID, SOD, SCLK)
- * POWER SUPPLY +2.7 V ~ +3.45V / 1.5mA
- * LED BACKLIGHT Y/G max. 150mA@+25°C
- * LED BACKLIGHT BLUE-WHITE AND BLACK-WHITE max. 45mA@+25°C
- * OPERATING TEMPERATURE RANGE -20..+70°C
- * BUILT-IN TEMPERATURE COMPENSATION
- * SOME MORE MODULES WITH SAME SIZE AND SAME PINOUT:
 - DOTMATRIX 1x8, 2x16
 - GRAPHIC 122x32
- * NO SCREWS REQUIRED: SOLDER ONTO PCB ONLY
- * DETACHABLE VIA 9-PIN SOCKET EA B200-9 (2 PCS REQUIRED)

ORDERING INFORMATION

LCD MODULE 4x20 - 3.73mm WITH LED BACKLIGHT Y/G
BLUE-WHITE
BLACK-WHITE
9-PIN SOCKET, HEIGHT 4.3mm (1 PC.)

EA DIP203G-4NLED
EA DIP203B-4NLW
EA DIP203J-4NLW
EA B200-9

**ELECTRONIC
ASSEMBLY**

making things easy

PINOUT

Pin	Symbo	Level	Function	Pin	Symbo	Level	Function
1	VSS	L	Power Supply 0V (GND)	10	D3	H / L	Display Data
2	VDD	H	Power Supply +3.3V	11	D4 (D0)	H / L	Display Data
3	VEE	-	Contrast adjustment, input	12	D5 (D1)	H / L	Display Data
4	RS (CS)	H / L	H=Data, L=Command	13	D6 (D2)	H / L	Display Data
5	R/W (SID)	H / L	H=Read, L=Write	14	D7 (D3)	H / L	Display Data, MSB
6	E (SCLK)	H	Enable (falling edge)	15	-	-	NC (see EA DIP122-5N)
7	D0 (SOD)	H / L	Display Data, LSB	16	RES	L	Reset (internal Pullup 10k)
8	D1	H / L	Display Data	17	A	-	LED B/L+ Resistor required
9	D2	H / L	Display Data	18	C	-	LED B/L-

BACKLIGHT

Using the LED backlight requires a current source or external current-limiting resistor. Forward voltage for yellow/green backlight is 3.9~4.2V and for white LED backlight is 3.0~3.6V. Please take care of derating for $T_a > +25^\circ\text{C}$.

Note: Do never connect backlight directly to 5V; this may destroy backlight immediately !

TABLE OF COMMAND (SSD1803, IE=HIGH)

Instruction	C ode										Description	Execute Time (270kHz)	
	RE Bit	RS	R/W	DB 7	DB 6	DB 5	DB 4	DB 3	DB 2	DB 1			DB 0
Clear Display	*	0	0	0	0	0	0	0	0	1	Clears all display and returns the cursor to the home position (Address 0).	1.53ms	
Cursor At Home	0	0	0	0	0	0	0	0	0	1	Returns the Cursor to the home position (Address 0). Also returns the display being shifted to the original position. DD RAM contents remain unchanged.	1.53ms	
Power Down Mode	1	0	0	0	0	0	0	0	0	1	Set Power down mode bit. PD=0: powerdown mode disable PD=1: powerdown mode enable	39μs	
Entry Mode Set	0	0	0	0	0	0	0	0	1	I/D	S Cursor moving direction (I/D=0: dec; I/D=1: inc) shift enable bit (S=0: disable; S=1: enable shift)	39μs	
	1	0	0	0	0	0	0	1	1	BID	Segment bidirectional function (BID=0: Seg1->Seg60; BID=1: Seg60->Seg1)	39μs	
Display On/Off Control	0	0	0	0	0	0	0	1	D	C	B D=0: display off; D=1: display on C=0: cursor off; C=1: cursor on B=0: blink off; B=1: blink on	39μs	
extended Function Set	1	0	0	0	0	0	0	1	FW	BW	NW FW=0: 5-dot font width; FW=1: 6-dot font width BW=0: normal cursor; BW=1: inverting cursor NW=0: 1- or 2-line (see N); NW=1: 4-line display	39μs	
Cursor / Display Shift	0	0	0	0	0	0	1	S/C	R/L	*	*	Moves the Cursor or shifts the display S/C=0: cursor Shift; S/C=1: display shift R/L=0: shift to left; R/L=1: shift to right	39μs
Scroll Enable	1	0	0	0	0	0	1	H4	H3	H2	H1	Determine the line for horizontal scroll	39μs
Function Set	0	0	0	0	0	1	DL	N	RE	DH	RE	sets interface data length (DL=0:4-bit; DL=1:8-bit) number of display lines (N=0: 1-line; N=1: 2-line) extension register (RE= 0/1) scroll/shift (DH=0: dot scroll; DH=1: display shift) reverse bit (REV=0:normal; REV=1:inverse display)	39μs
	1	0	0	0	0	1	DL	N	RE	BE	LP	CG-/SEG-RAM blink (BE=0: disable; BE=1: enable) LP=0: normal mode; LP=1: low power mode	39μs
CG RAM Address Set	0	0	0	0	1	AC					Sets the CG RAM address. CG RAM data is sent and received after this setting.	39μs	
SEG RAM Address Set	1	0	0	0	1	*	*	AC				Sets the SEG RAM address. SEG RAM data is sent and received after this setting.	39μs
DD RAM Address Set	0	0	0	1	AC					Sets the DD RAM address. DD RAM data is sent and received after this setting.	39μs		
Set Scroll Quantity	1	0	0	1	*	SQ					Sets the quantity of horizontal dot scroll (DH=0)	39μs	
Busy Flag / Address Read	*	0	1	BF	AC					Reads Busy flag (BF) indicating internal operation is being performed and reads address counter contents.	-		
Write Data	*	1	0	Write Data					Writes data into internal RAM (DD RAM / CG RAM / SEGRAM)	43μs			
Read Data	*	1	1	Read Data					Reads data from internal RAM (DD RAM / CG RAM / SEGRAM)	43μs			

INITIALISATION EXAMPLE FOR 8 BIT MODE												
Command	RS	R/W	DB7	DB6	DB5	DB4	DB3	DB2	DB1	DB0	Hex	Description
Function Set	0	0	0	0	1	1	0	1	0	0	\$34	8 bit data length, extension bit RE=1
ext. Function Set	0	0	0	0	0	0	1	0	0	1	\$09	4 line mode
Function Set	0	0	0	0	1	1	0	0	0	0	\$30	8 bit data length, extension bit RE=0
Display ON/OFF	0	0	0	0	0	0	1	1	1	1	\$0F	display on, cursor on, cursor blink
Clear Display	0	0	0	0	0	0	0	0	0	1	\$01	clear display, cursor 1st. row, 1st. line
Entry Mode Set	0	0	0	0	0	0	0	1	1	0	\$06	cursor will be automatically incremented

Addressing:

- 1st. line \$00..\$13
- 2nd. line \$20..\$33
- 3rd. line \$40..\$53
- 4th. line \$60..\$73

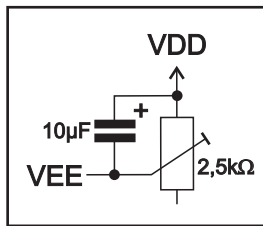
CHARACTER SET

A full character set is built-in already. Additionally to that 8 more characters can be defined individually.

CONTRAST ADJUSTMENT

Pin 3 requires driving voltage for contrast VEE. Adjustment can be done by external potentiometer for example. The capacitor is for a better startup behaviour.

Note: In contrast to many other dotmatrix lcd modules input is supplied with VDD level here !



All versions do have a built-in temperature compensation; so there's no more need for contrast adjustment during operation anymore.

Upper 4bit / Lower 4bit	LLLL	LLH	LHL	LLH	LHL	LHL	LHH	HLL	HLH	HLH	HLL	HHL	HHL	HHL	HHH
CG RAM (1)															
(2)															
(3)															
(4)															
(5)															
(6)															
(7)															
(8)															
(1)															
(2)															
(3)															
(4)															
(5)															
(6)															
(7)															
(8)															

CREATING YOUR OWN CHARACTERS

All these character display modules got the feature to create 8 own characters (ASCII Codes 0..7) in addition to the 240 ROM fixed codes.

- 1.) The command "CG RAM Address Set" defines the ASCII code (Bit 3,4,5) and the dot line (Bit 0,1,2) of the new character. Example demonstrates creating ASCII code \$00.
- 2.) Doing 8 times the write command "Data Write" defines line by line the new character. 8th. byte stands for the cursor line.
- 3.) The newly defined character can be used as a "normal" ASCII code (0..7); use with "DD RAM Address Set" and "Data Write".

Set CG RAM Address				Data							
Adresse		Hex	7		Bit				Hex		
					6	5	4	3		2	1
0	1	0		0	0	0	0	0		1	0
			0			0	1	0	0	\$04	
			0			1	0	1	0	\$04	
			0			1	1	1	0	\$04	
			1			0	0	1	1	\$15	
			1			0	1	1	1	\$0E	
			1			1	0	1	0	\$04	
			1			1	1	1	1	\$00	

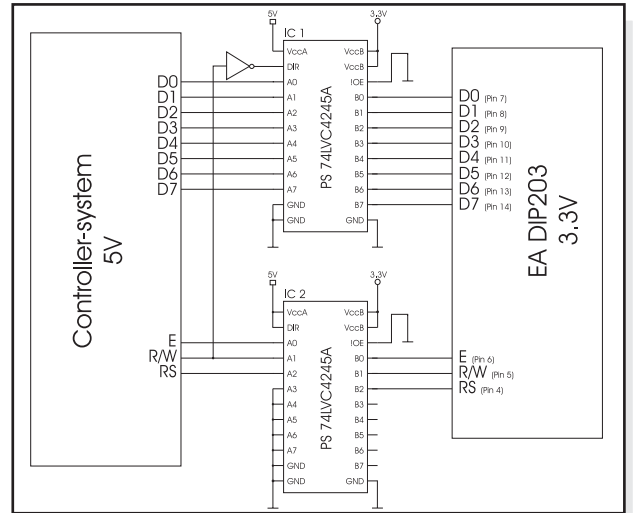
DRIVING WITH 5V-SYSTEMS

The supply voltage of the display is necessarily 3.3V. If a 5V-system is used, the level have to be adapted. For example you can use a bidirectional levelshifter (e.g. PS 74LVC4245A), like shown in the opposite figure.

COMPATIBILITY WITH EA DIP204-4

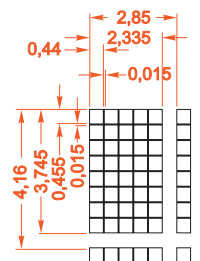
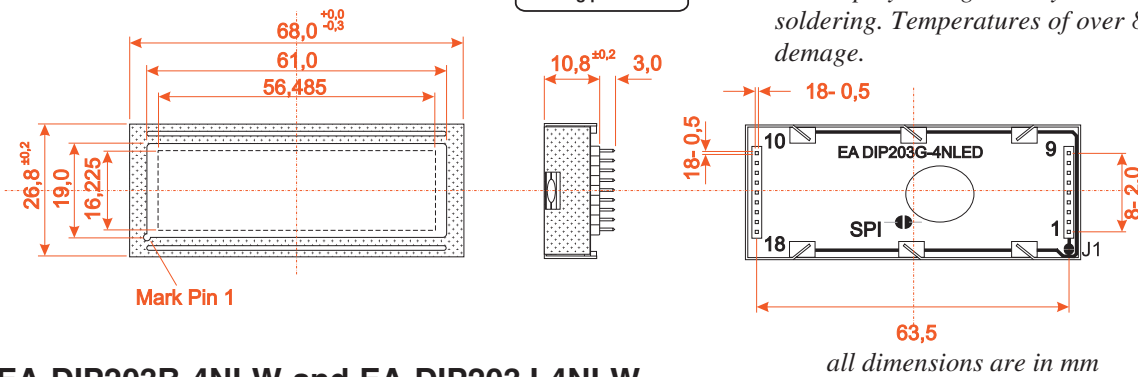
The displays of EA DIP203 and EA DIP204 series are electrically and mechanically identical to each other running with 3.3V supply mode.

Merely a 5V supply is not acceptable with the new EA DIP203 series.



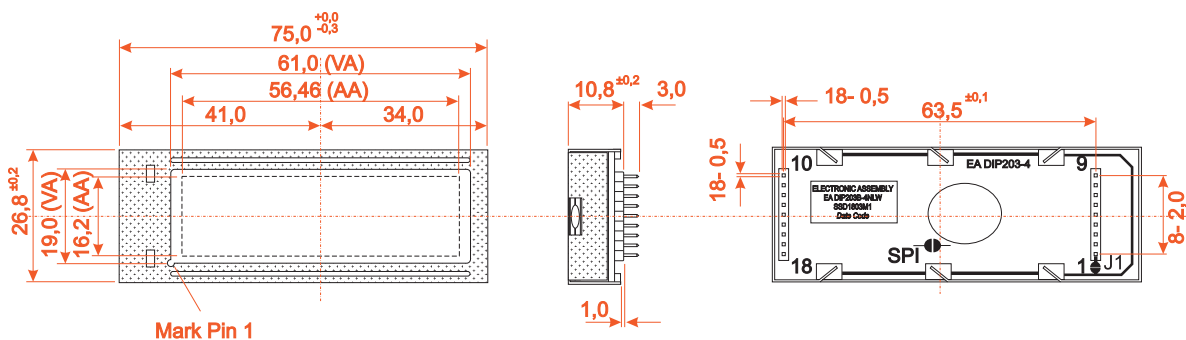
Note:
LC-Displays are generally not suited to wave or reflow soldering. Temperatures of over 80°C can cause lasting damage.

EA DIP203G-4NLED



all dimensions are in mm

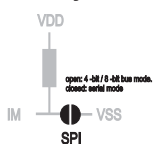
EA DIP203B-4NLW and EA DIP203J-4NLW



SERIAL MODE

Factory setting for interface is parallel with 4 bit or 8 bit data bus. Alternatively the module can be used with serial data stream. For that, solder link **SPI** has to be closed. Specification for serial operation mode is described in user manual for SSD1803:

http://www.lcd-module.de/fileadmin/eng/pdf/zubehoer/ssd1803_2_0.pdf



ELECTRONIC ASSEMBLY

making things easy



Компания «ЭлектроПласт» предлагает заключение долгосрочных отношений при поставках импортных электронных компонентов на взаимовыгодных условиях!

Наши преимущества:

- Оперативные поставки широкого спектра электронных компонентов отечественного и импортного производства напрямую от производителей и с крупнейших мировых складов;
- Поставка более 17-ти миллионов наименований электронных компонентов;
- Поставка сложных, дефицитных, либо снятых с производства позиций;
- Оперативные сроки поставки под заказ (от 5 рабочих дней);
- Экспресс доставка в любую точку России;
- Техническая поддержка проекта, помощь в подборе аналогов, поставка прототипов;
- Система менеджмента качества сертифицирована по Международному стандарту ISO 9001;
- Лицензия ФСБ на осуществление работ с использованием сведений, составляющих государственную тайну;
- Поставка специализированных компонентов (Xilinx, Altera, Analog Devices, Intersil, Interpoint, Microsemi, Aeroflex, Peregrine, Syfer, Eurofarad, Texas Instrument, Miteq, Cobham, E2V, MA-COM, Hittite, Mini-Circuits, General Dynamics и др.);

Помимо этого, одним из направлений компании «ЭлектроПласт» является направление «Источники питания». Мы предлагаем Вам помощь Конструкторского отдела:

- Подбор оптимального решения, техническое обоснование при выборе компонента;
- Подбор аналогов;
- Консультации по применению компонента;
- Поставка образцов и прототипов;
- Техническая поддержка проекта;
- Защита от снятия компонента с производства.



Как с нами связаться

Телефон: 8 (812) 309 58 32 (многоканальный)

Факс: 8 (812) 320-02-42

Электронная почта: org@eplast1.ru

Адрес: 198099, г. Санкт-Петербург, ул. Калинина, дом 2, корпус 4, литера А.