

10119189 - X0C - XXXLF

6-COLUMN  
DIFFERENTIAL  
SIGNAL

LEAD-FREE DESIGNATION  
ONLY WITH APPLICABLE  
PLATING CODES

LETTER	PERFORMANCE-BASED PLATING (SEE NOTE 2)	
	TARGET APPLICATION	LEAD-FREE (LF)
B	TELCORDIA CO	NO
C	TELCORDIA UE	NO
D	TELCORDIA CO	YES
E	TELCORDIA UE	YES

NUMBER	GUIDE PIN STYLE, HEIGHT
0	STANDARD GUIDE PIN MACHINED, 31.6mm
4	STANDARD GUIDE PIN MACHINED, 25.7mm

NUMBER	CONTACT MATING WIPE LENGTH		COMPLIANT PIN DRILL SIZE
	SIGNAL	GROUND	
1	2	4	Ø0.55 [0.0217"]
2	3	4	Ø0.55 [0.0217"]
3	2	4	Ø0.45 [0.0177"]
4	3	4	Ø0.45 [0.0177"]
5	2	3	Ø0.55 [0.0217"]
6	3	3	Ø0.55 [0.0217"]
7	2	3	Ø0.45 [0.0177"]
8	3	3	Ø0.45 [0.0177"]

MODULE DESCRIPTION	LETTER DESIGNATION REPRESENTED IN DASH NUMBER									BASE MODULE
LEFT POLARIZING GUIDANCE MODULE (SEE SHEET 3)	J	A	B	C	D	E	F	G	H	
RIGHT POLARIZING GUIDANCE MODULE (SEE SHEET 4)	Y	P	Q	R	S	T	U	V	W	
OPEN MODULE (TWO WALL) (SEE SHEET 2)	0 (ZERO)									
LEFT WALL MODULE (SEE SHEET 5)	L									
RIGHT WALL MODULE (SEE SHEET 6)	M									
FOUR WALL MODULE (SEE SHEET 7)	1 (ONE)									

TABLE 1: OPTIONAL PCB HOLE SIZE (SEE NOTE 11)

	GROUNDED	UNGROUNDED
FINISHED	Ø2.35-2.55	Ø2.35-2.55
PAD	Ø5.50	N/A
PLATED	YES	NO
DRILL (mm/in)	2.58/.1015	2.44/.096

TABLE 2: OPTIONAL SCREW TYPE (SEE NOTE 10)

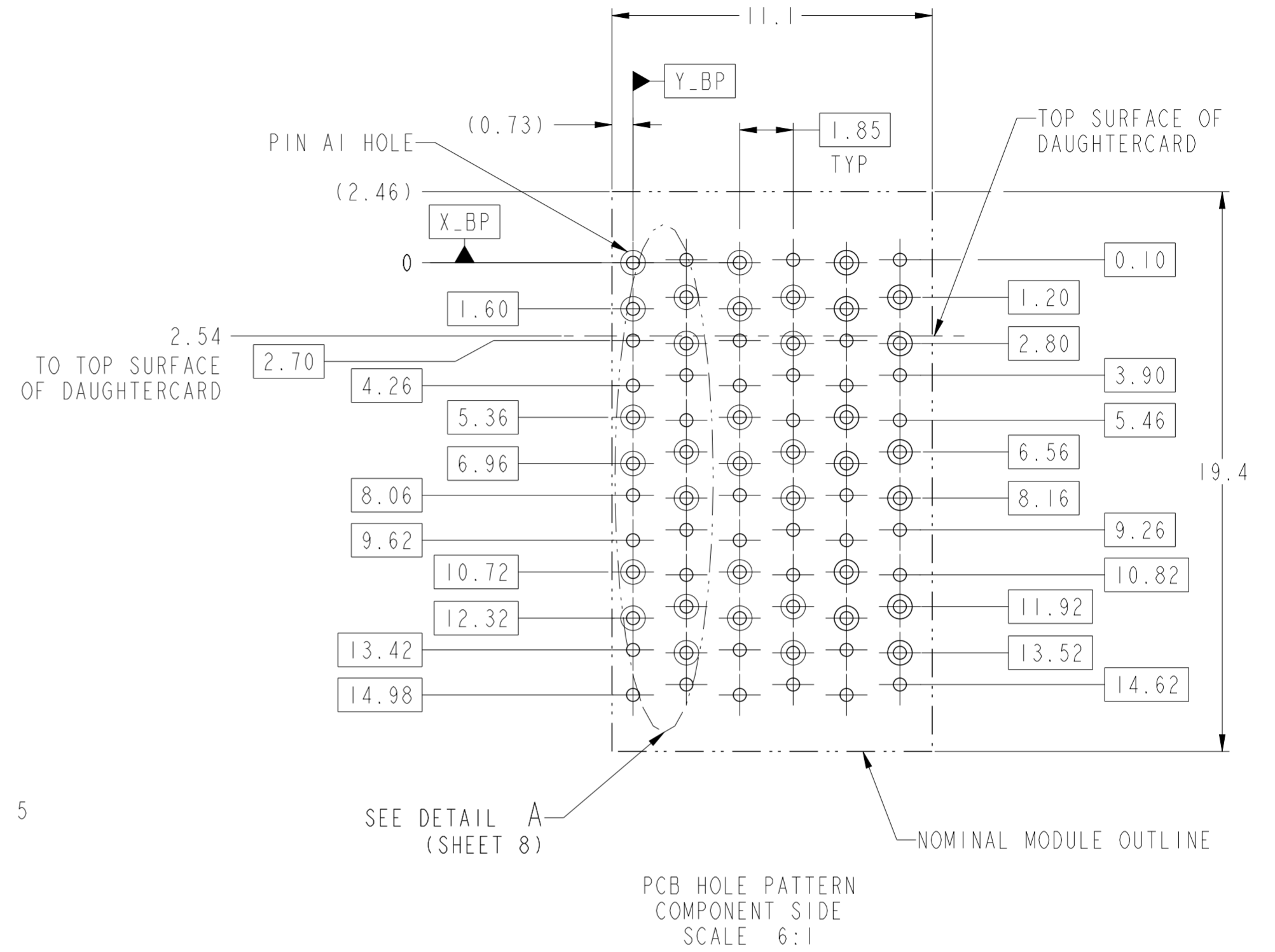
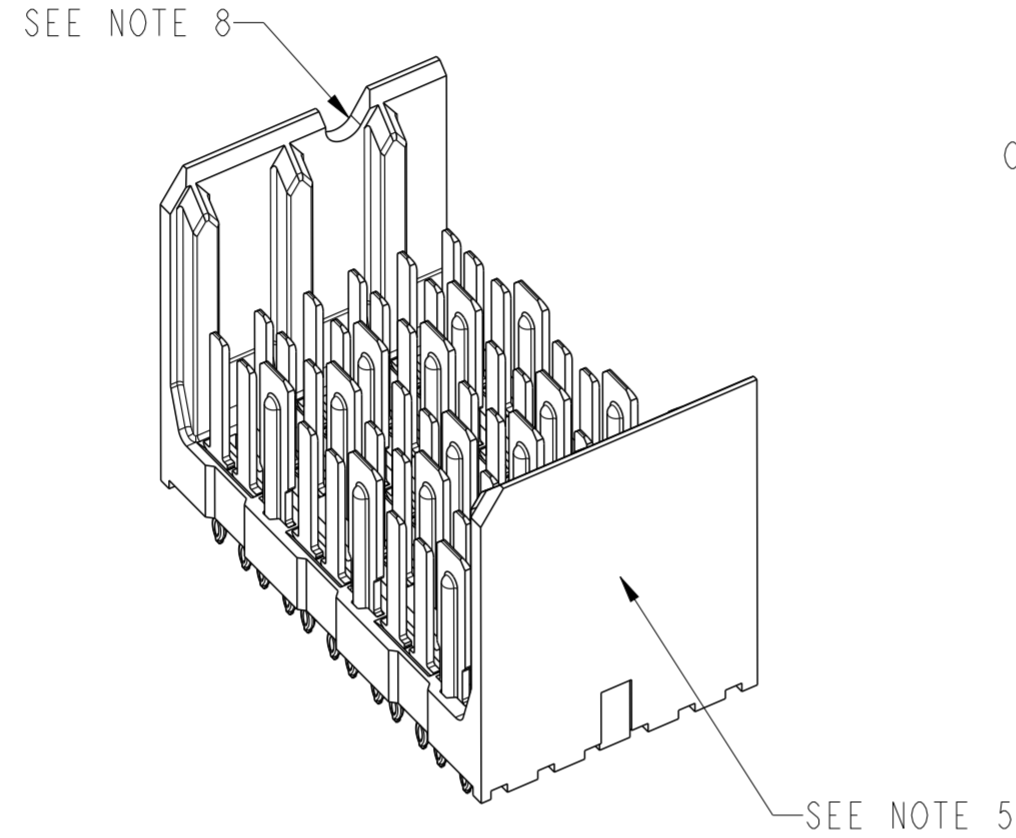
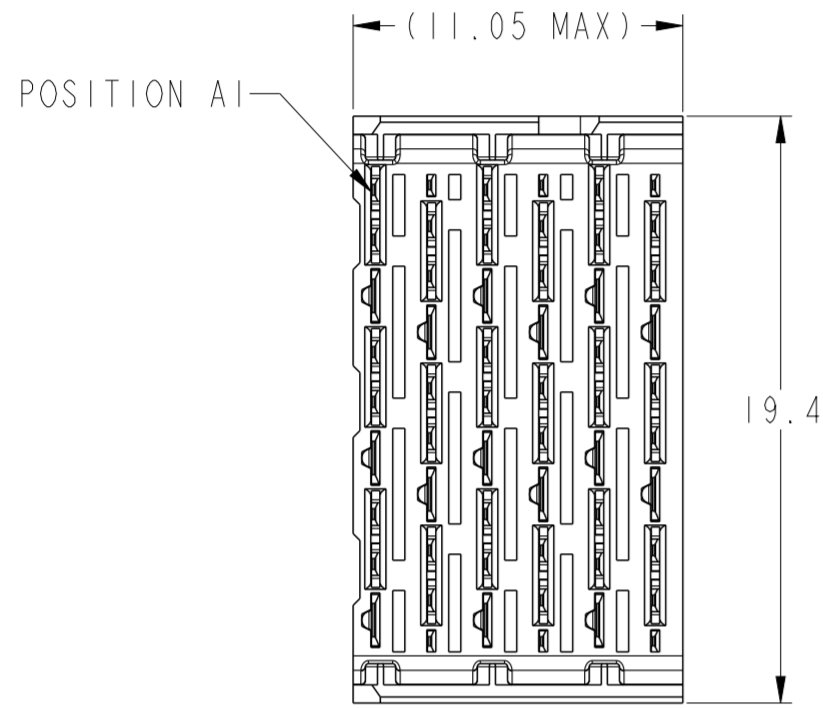
SCREW P/N	DESCRIPTION	BOARD THICKNESS
10091790-002LF	#2.56 X .375" PHILIPS PANHEAD W/SQ CONICAL WASHER	1.60 - 5.00
10091790-003LF	#2.56 X .500" PHILIPS PANHEAD W/SQ CONICAL WASHER	5.00 - 10.00

spec ref	-	dr	Roger Ng	2011/1/22	projection	MM	size	A2	scale	4:1
tolerance std	ASME Y14.5	eng	Sandar Soe	2014/10/02	chr	-	ecn no	ELX-S-18843-1	rel level	Released
surface	✓	appr	Chen-Hong Tan	2014/12/10	product family	XCEDE	cat. no.	10119189	rev	B
ASME Y14.5	linear	0.X	±0.2	0.XX	±0.10	0.XXX	±0.050	angular	0°	±2°

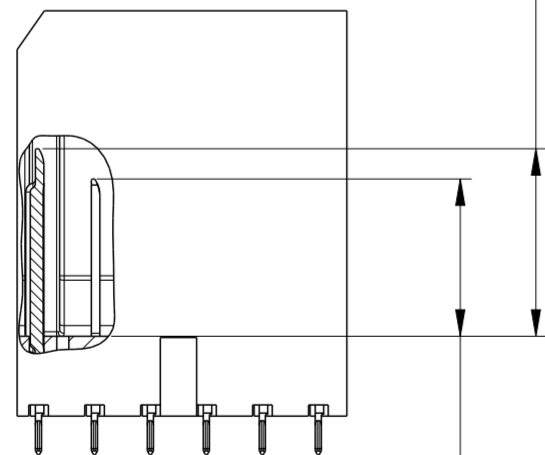
**FCI** MODULE ASSEMBLY  
 VERTICAL HEADER, 6 COLUMN, 3 PAIR  
 www.fci.com Product - Customer Draw sheet 1 of 8

Copyright FCI. FCI

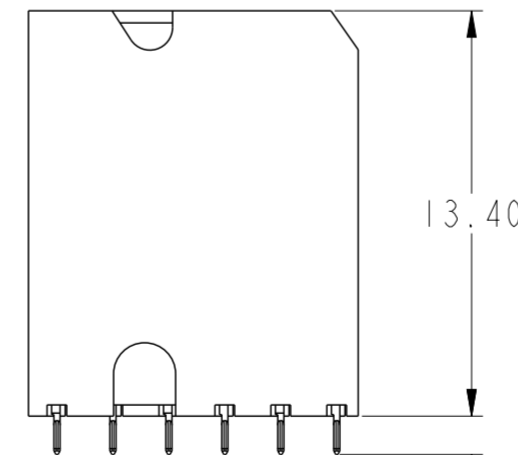
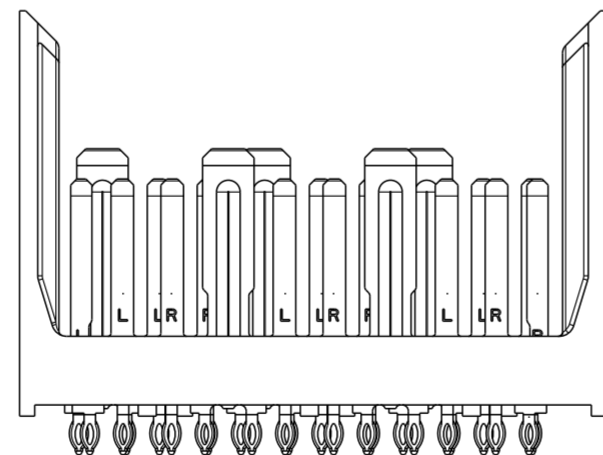
OPEN (2- WALL) MODULE



6.2 (4MM WIPE WIDE GROUNDS)  
5.2 (3MM WIPE WIDE GROUNDS)

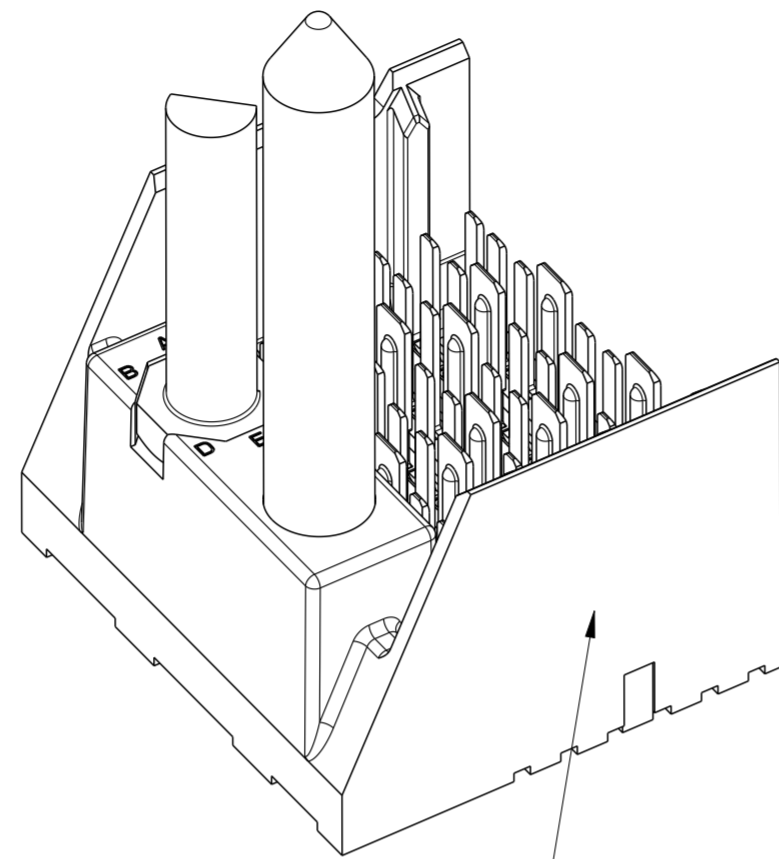
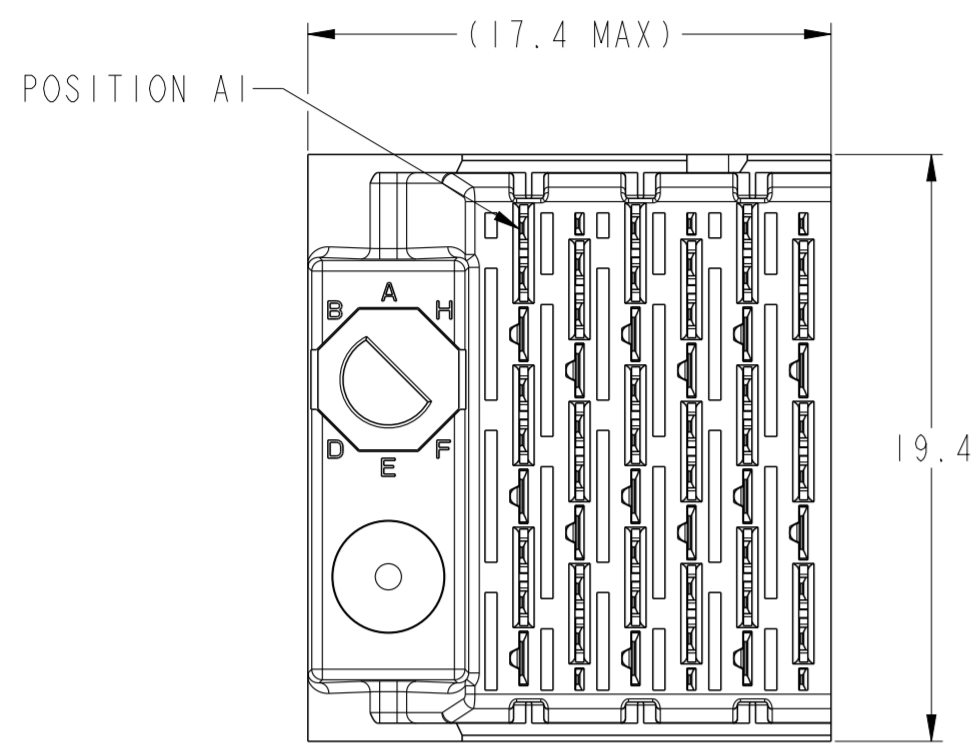


5.2 (3MM SMALL END GROUNDS)  
5.2 (3MM WIPE SIGNALS)  
4.2 (2MM WIPE SIGNALS)  
SEE P/N TREE

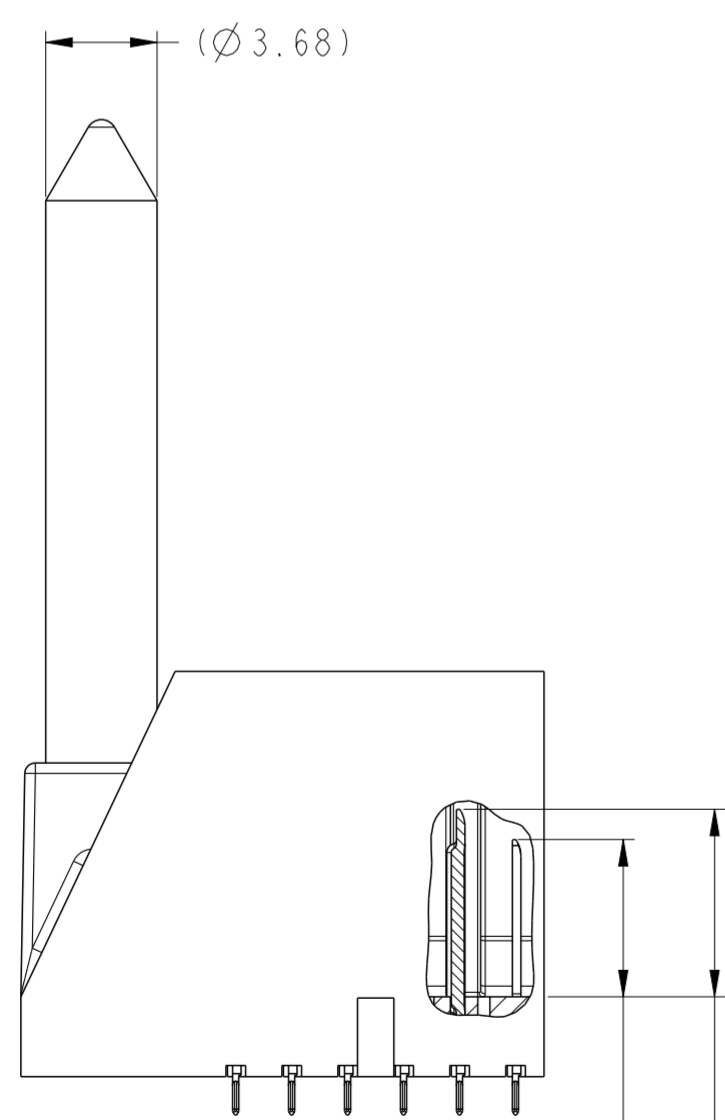
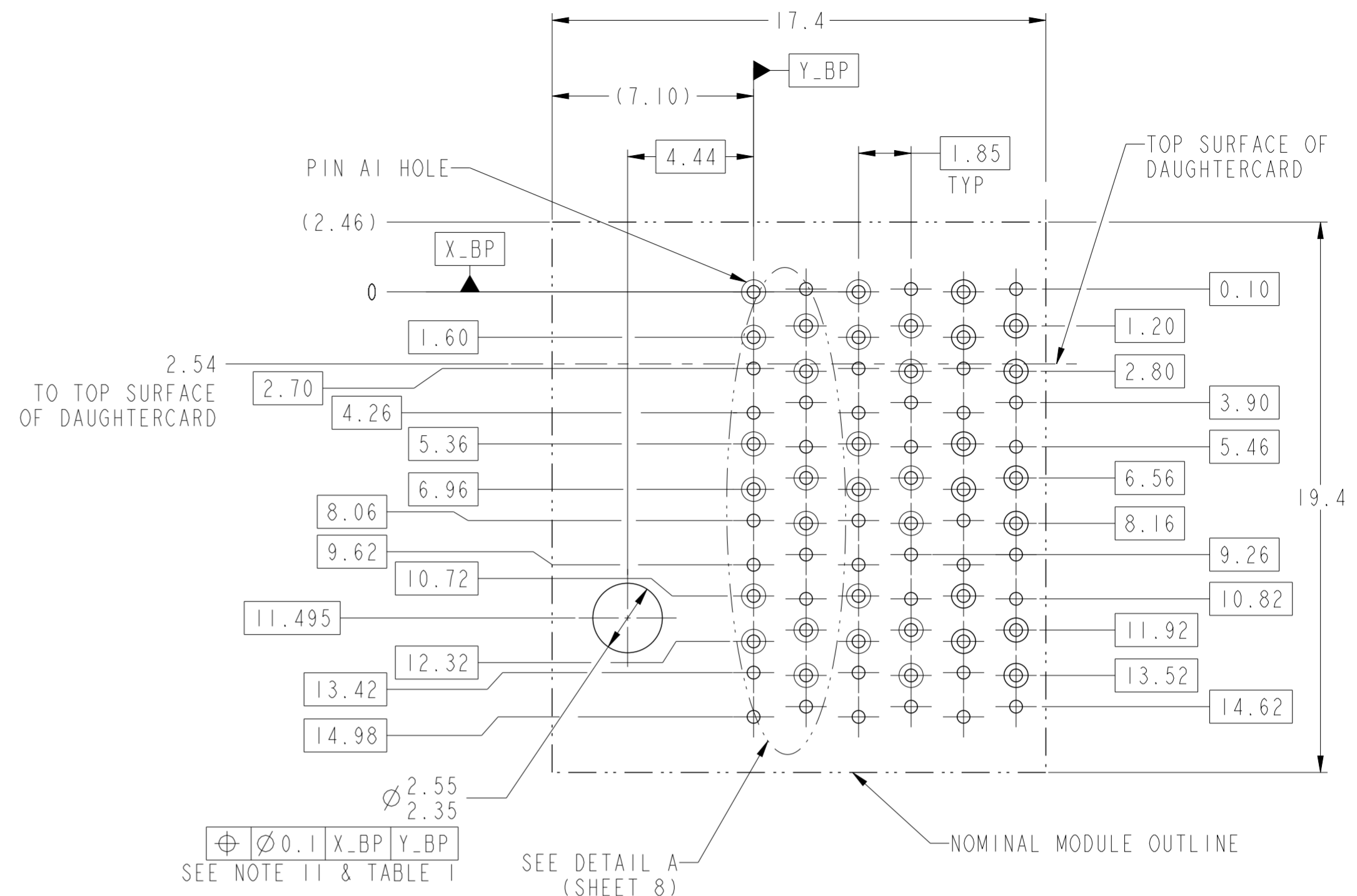


spec ref	-	dr	Roger Ng	2011/11/22	projection	MM	size	A2	scale	4:1	
tolerance std	ASME Y14.5	eng	Sandar Soe	2014/10/02	chr	-	ecn no	ELX-S-18843-1	rel level	Released	
surface	✓	appr	Chen-Hong Tan	2014/12/10	product family	XCEDE	rel level	Released	dwg no	10119189	
ASME Y14.5	linear	0.X	±0.2	0.XX	±0.10	0.XXX	±0.050	angular	0°	±2°	
		www.fci.com		TITLE		MODULE ASSEMBLY		cat. no.		Product - Customer Drw	
				VERTICAL HEADER, 6 COLUMN, 3 PAIR				sheet 2 of 8		rev	B

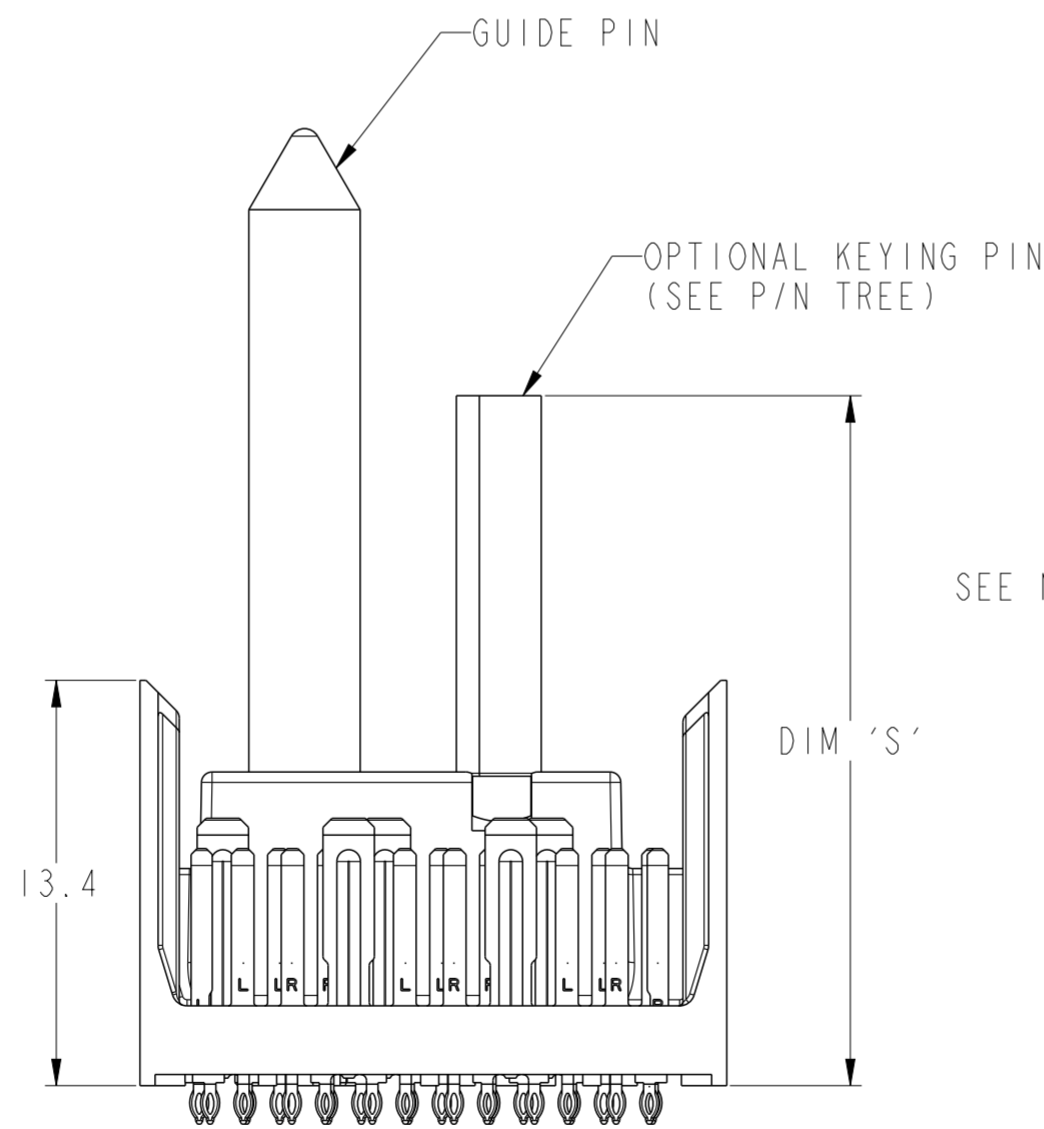
LEFT POLARIZING/GUIDE MODULE



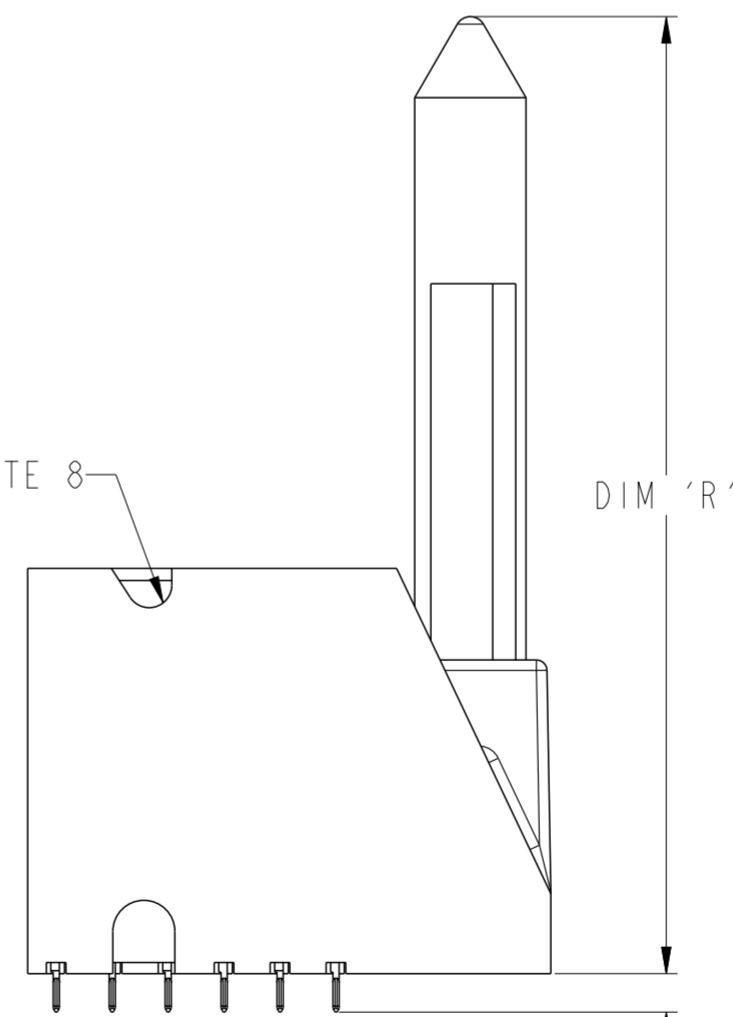
SEE NOTE 5



5.2 (3MM SMALL END GROUNDS)  
 5.2 (3MM WIPE SIGNALS)  
 4.2 (2MM WIPE SIGNALS)  
 SEE P/N TREE  
 6.2 (4MM WIPE WIDE GROUNDS)  
 5.2 (3MM WIPE WIDE GROUNDS)



SEE NOTE 8

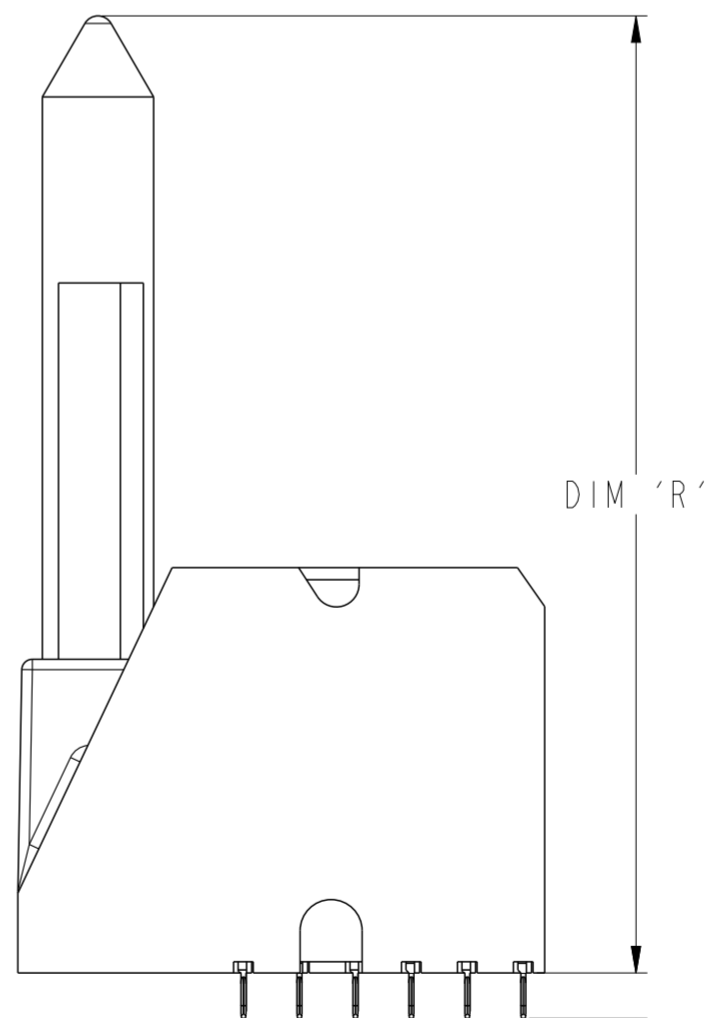
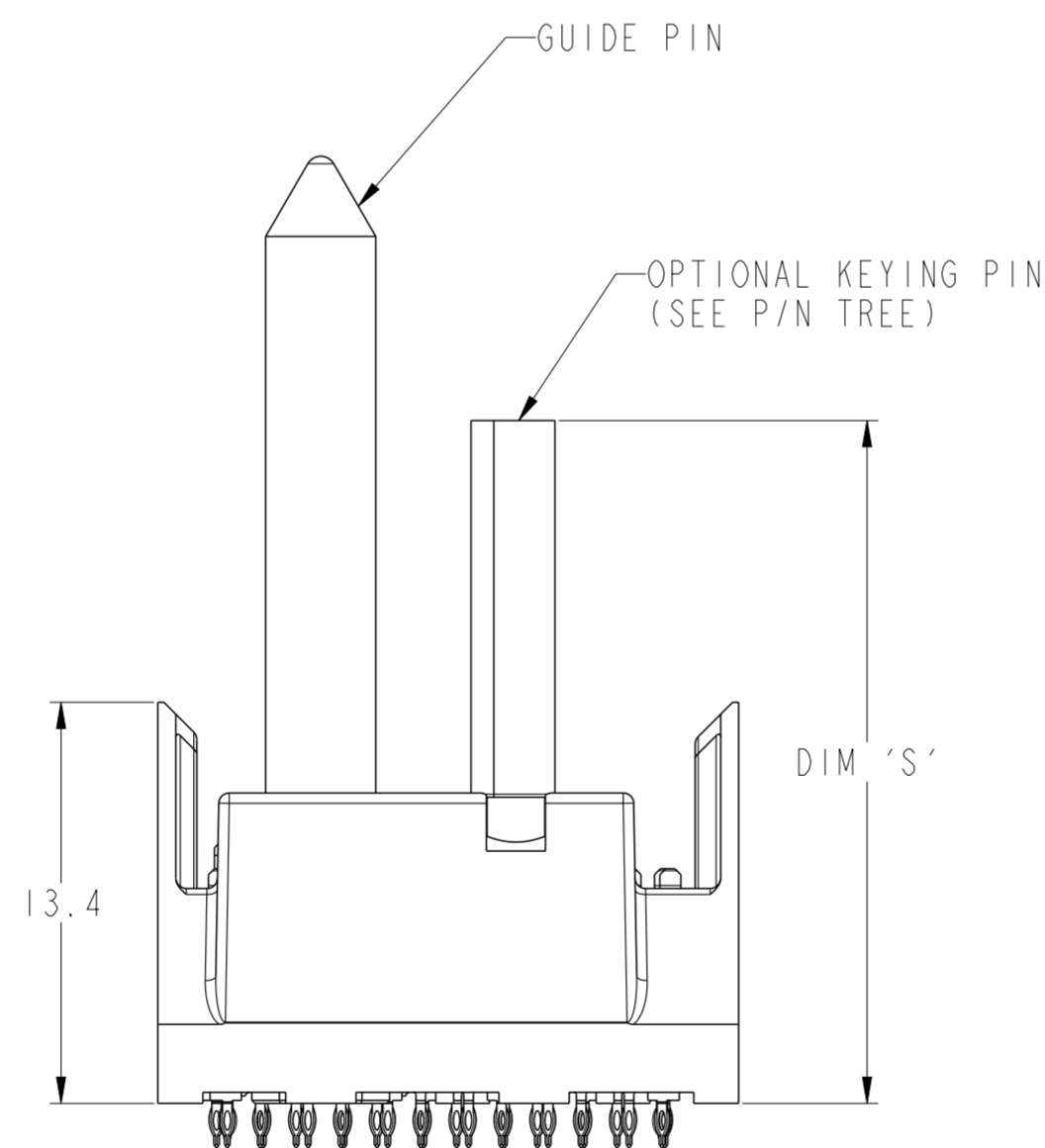
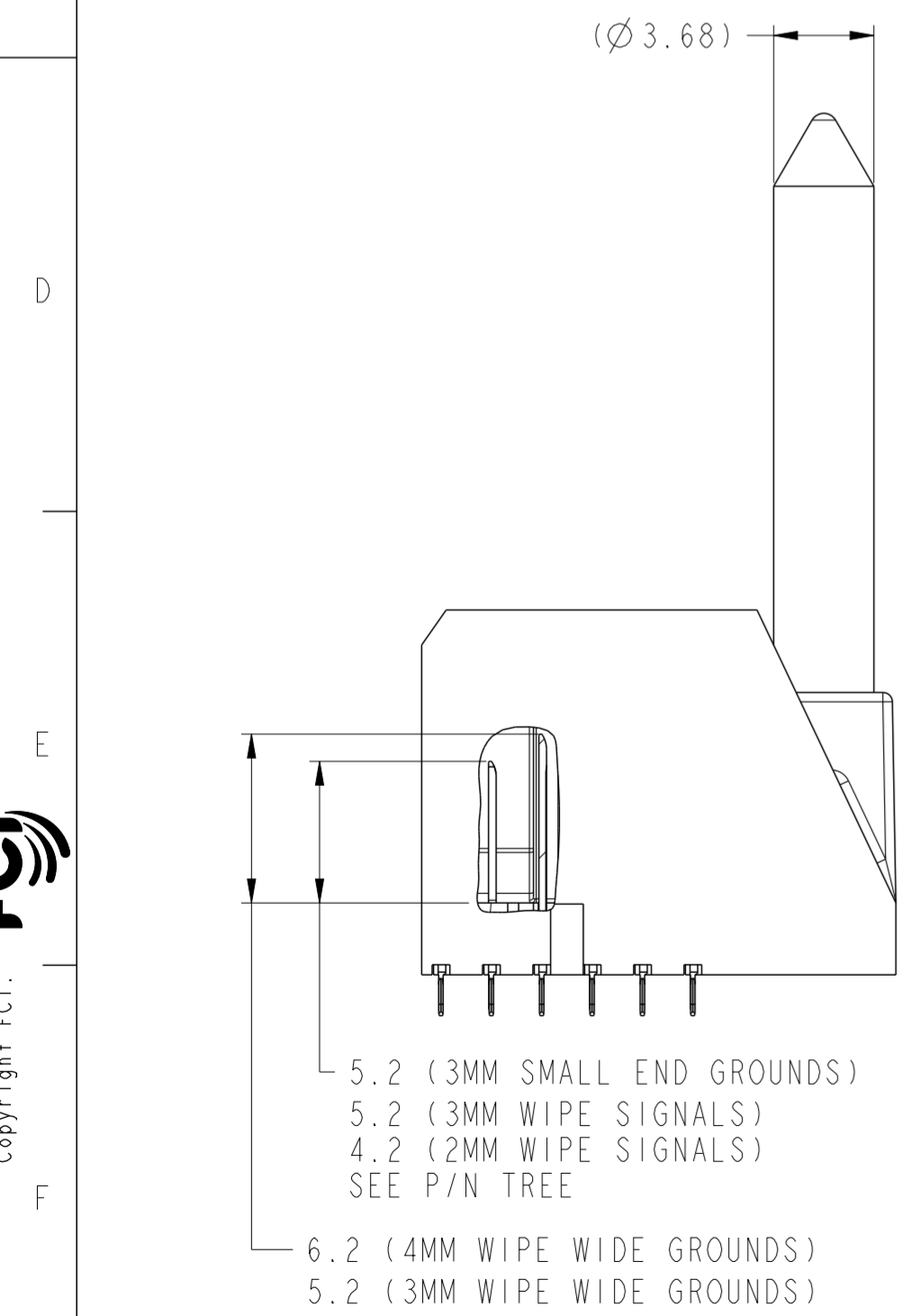
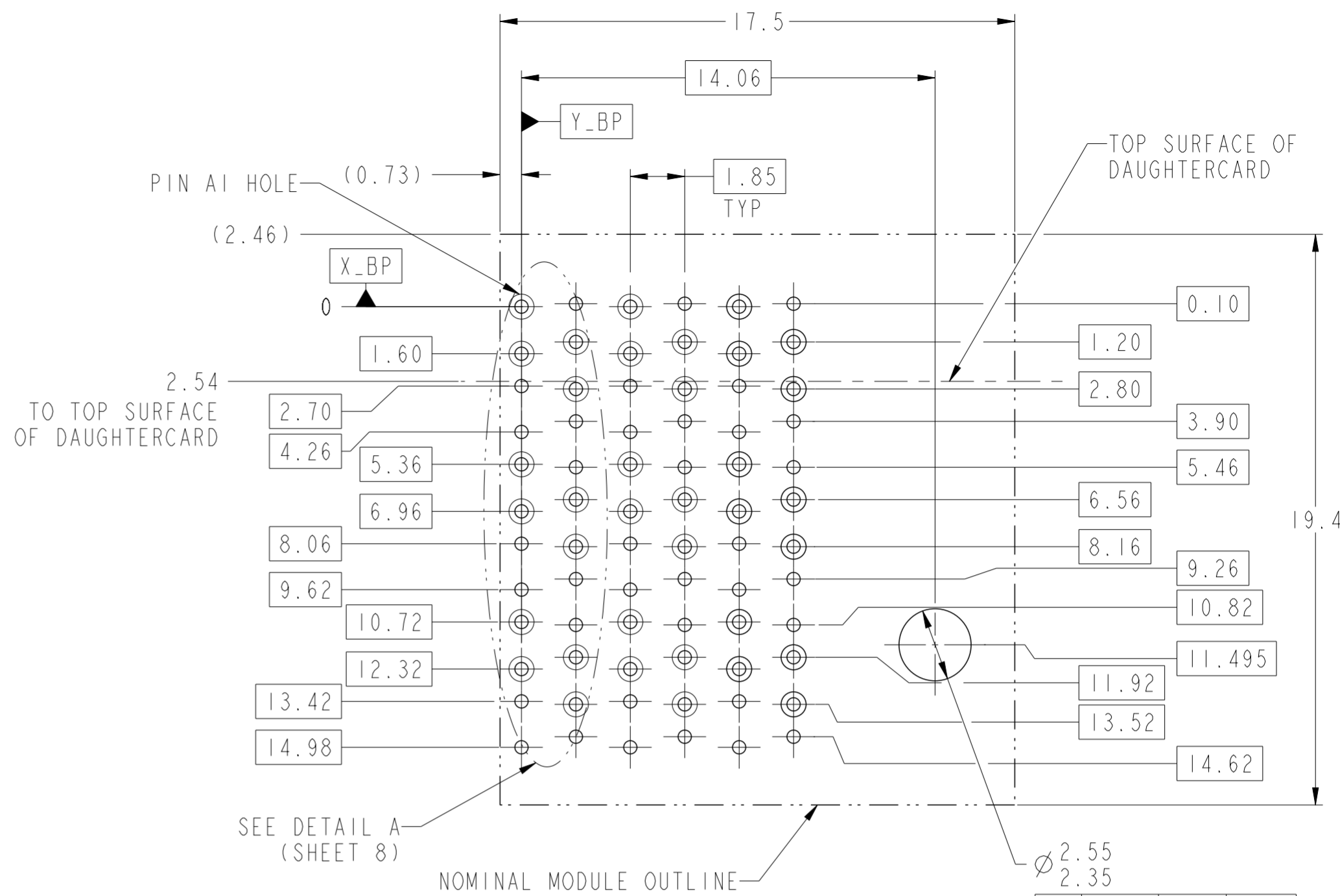
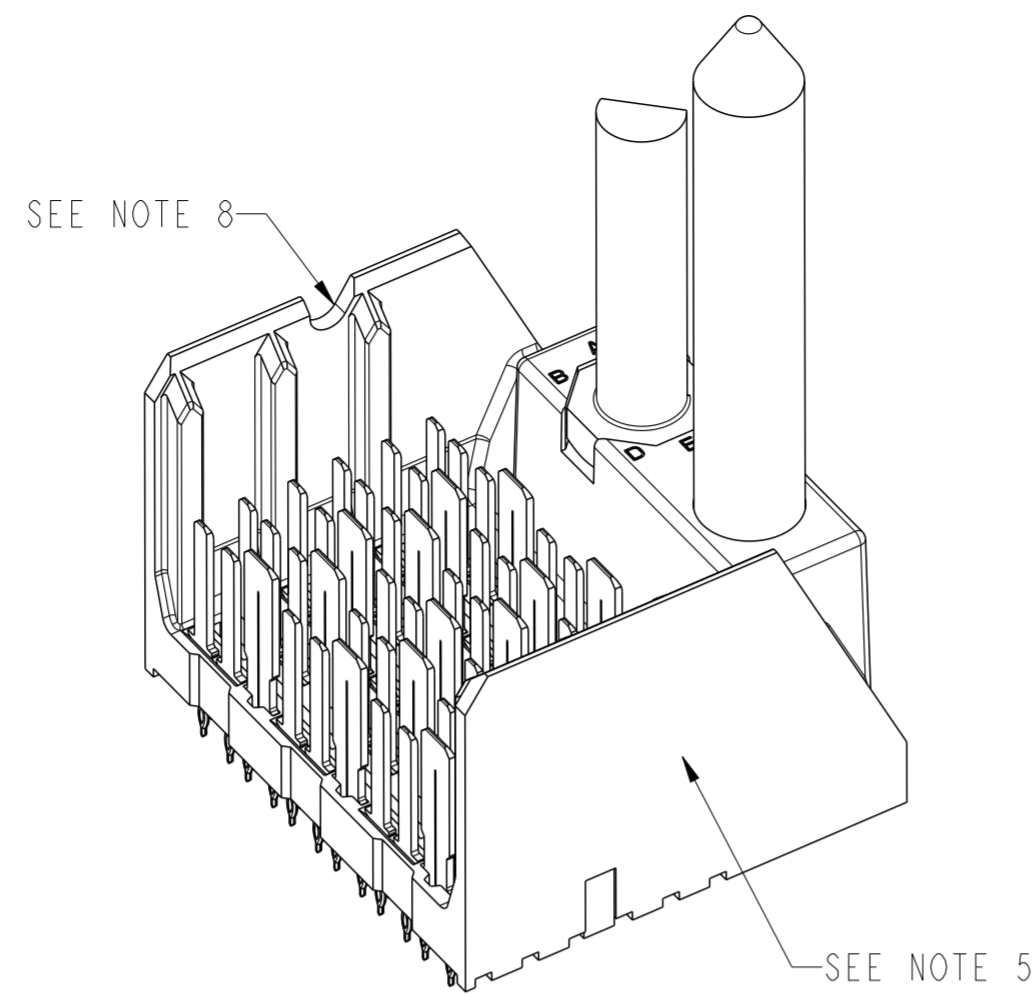
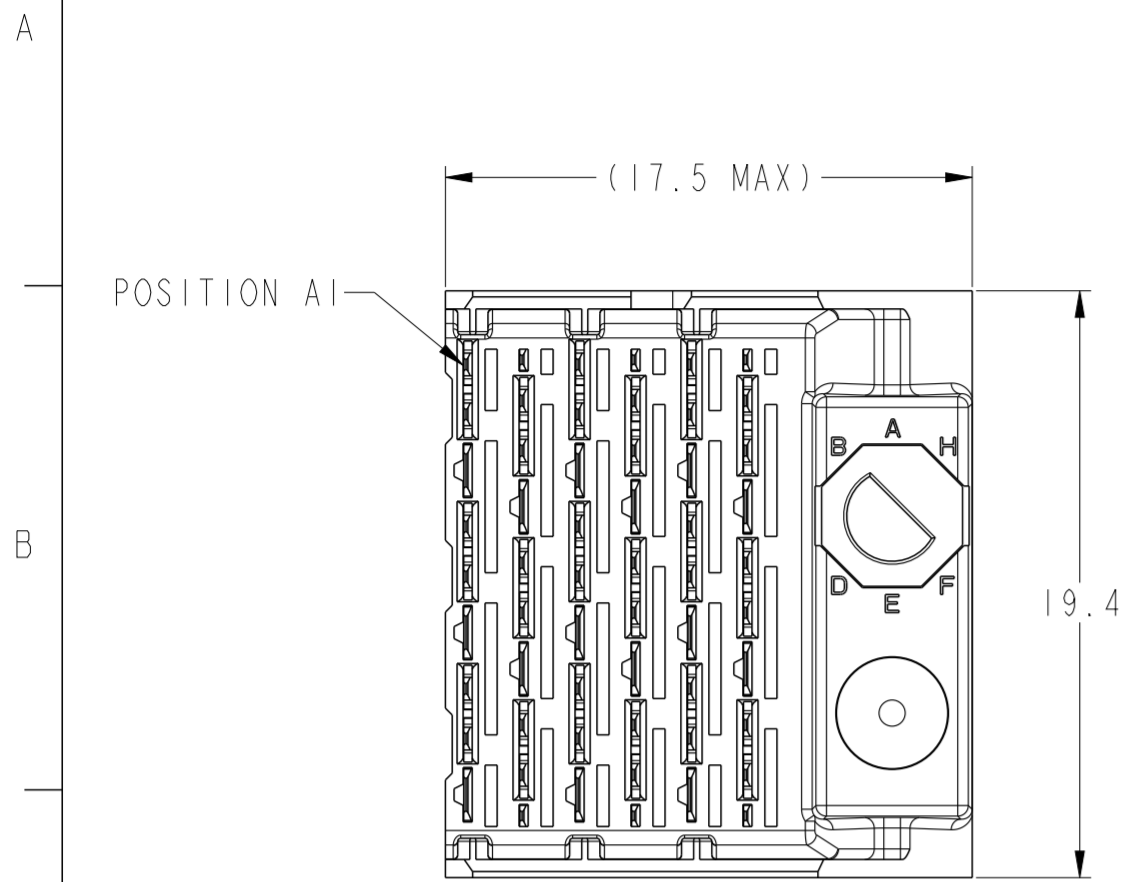


ASSEMBLY BASE CONFIGURATION END DASH NO.	GUIDE PIN	POLARIZING KEY
	DIM 'R'	DIM 'S'
-X0X	31.6mm	22.8mm
-X4X	25.7mm	20.0mm

spec ref	-	dr	Roger Ng	2011/1/22	projection	MM	size	A2	scale	4:1
tolerance std	ASME Y14.5	eng	Sandar Soe	2014/10/02	chr	-	ecn no	ELX-S-18843-1	rel level	Released
surface	linear	appr	Chen-Hong Tan	2014/12/10	product family	XCEDE	cat. no.	10119189	rev	B
ASME Y14.5	angular	0°	±2°	0.X ±0.2	0.XX ±0.10	0.XXX ±0.050	www.fci.com	Product - Customer Drw	sheet 3 of 8	



RIGHT POLARIZING/GUIDE MODULE



ASSEMBLY BASE CONFIGURATION END DASH NO.	GUIDE PIN	POLARIZING KEY
	DIM 'R'	DIM 'S'
-X0X	31.6mm	22.8mm
-X4X	25.7mm	20.0mm

spec ref	-	dr	Roger Ng	2011/11/22	projection	MM	size	A2	scale	4:1	
tolerance std	ASME Y14.5	eng	Sandar Soe	2014/10/02	chr	-	ecn no	ELX-S-18843-1	rel level	Released	
surface	linear	0.X	±0.2	0.XX	±0.10	0.XXX	±0.050	angular	0°	±2°	
TOLERANCES UNLESS OTHERWISE SPECIFIED		FCI		MODULE ASSEMBLY		10119189		Product - Customer Draw		sheet 4 of 8	
www.fci.com		cat. no.		-		-		-		rev	B



LEFT WALL MODULE

A

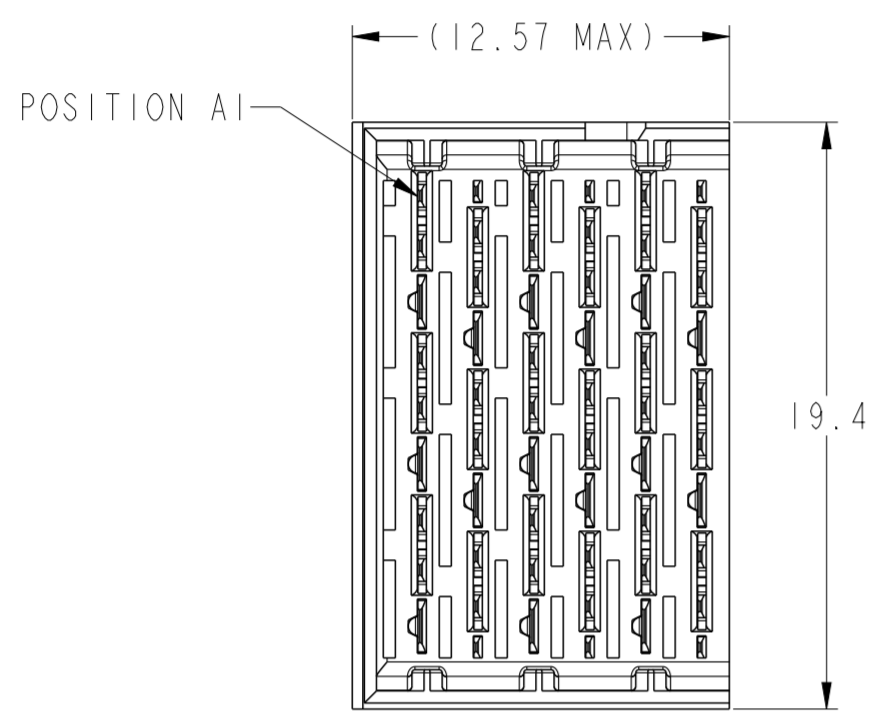
B

C

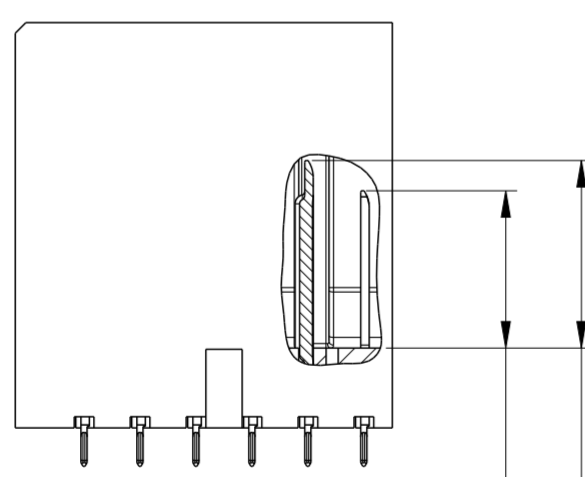
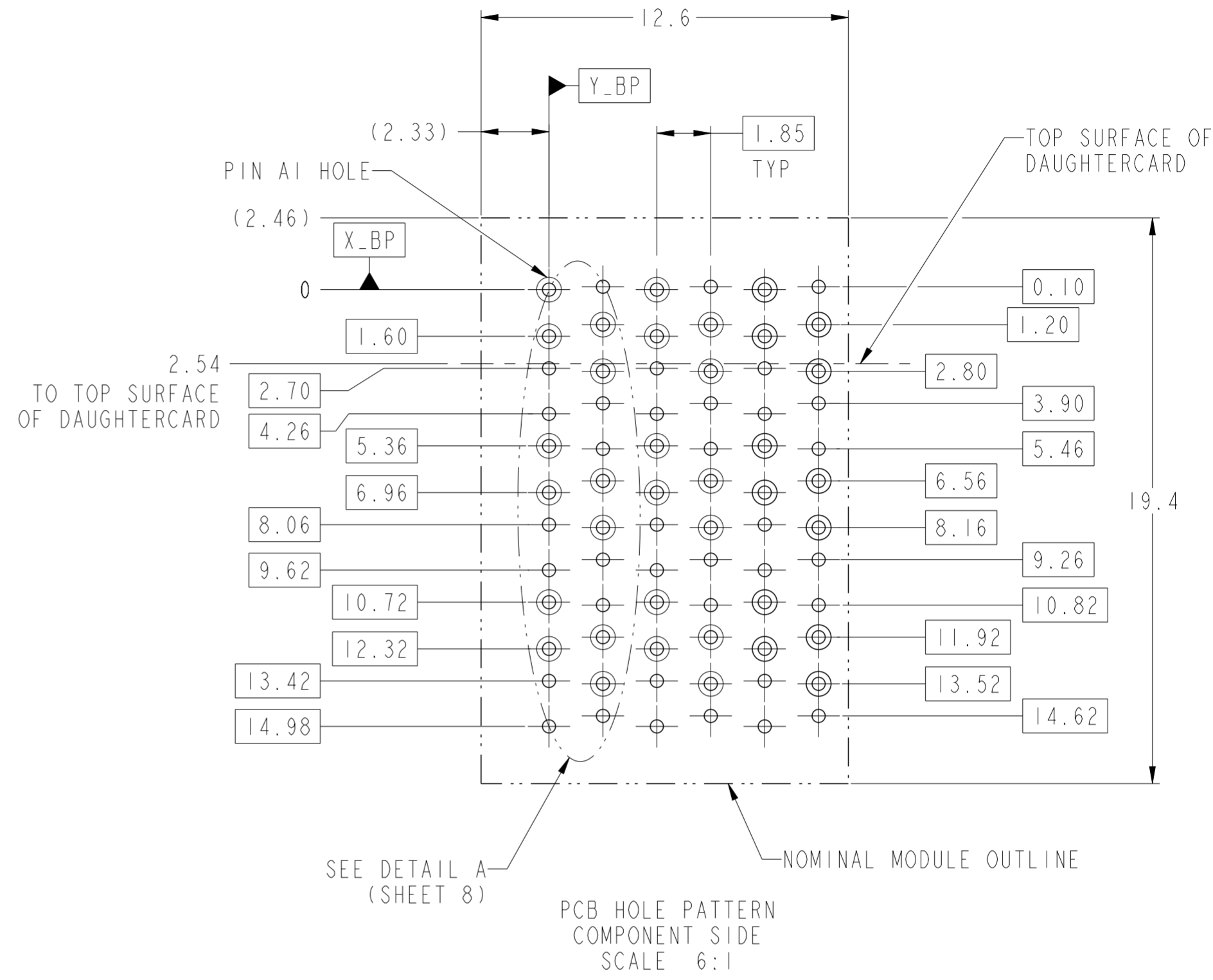
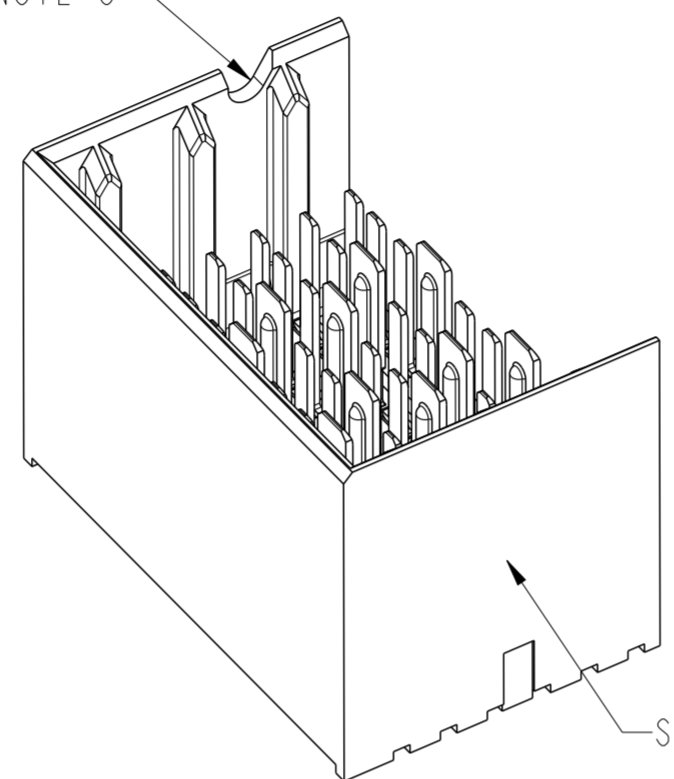
D

E

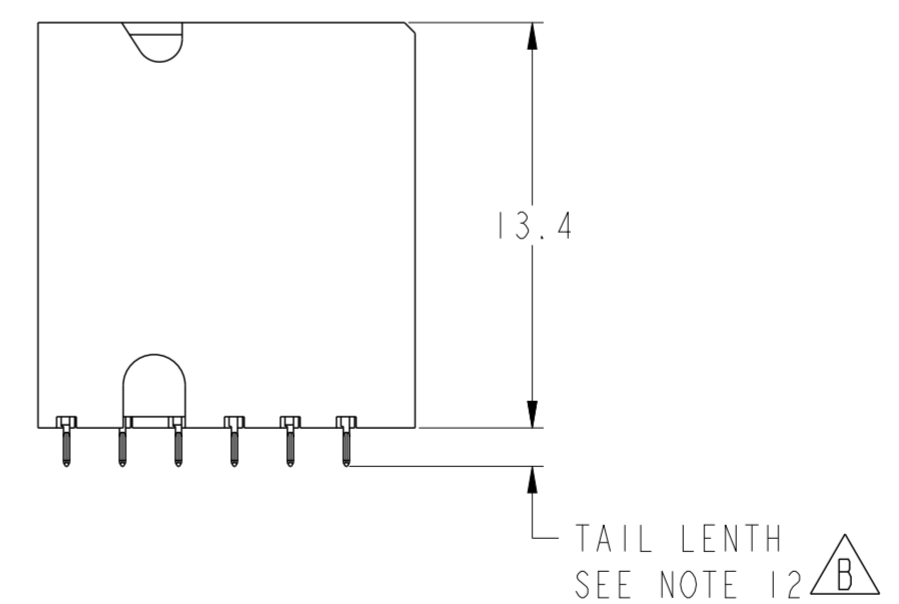
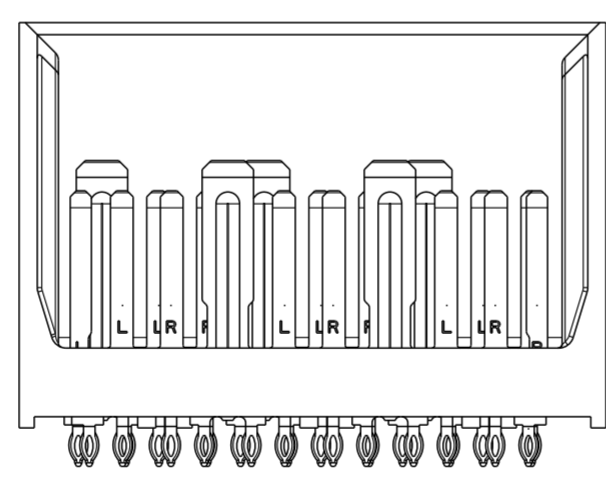
F



SEE NOTE 8



- 5.2 (3MM SMALL END GROUNDS)
- 5.2 (3MM WIPE SIGNALS)
- 4.2 (2MM WIPE SIGNALS)
- SEE P/N TREE
- 6.2 (4MM WIPE WIDE GROUNDS)
- 5.2 (3MM WIPE WIDE GROUNDS)



Copyright FCI.

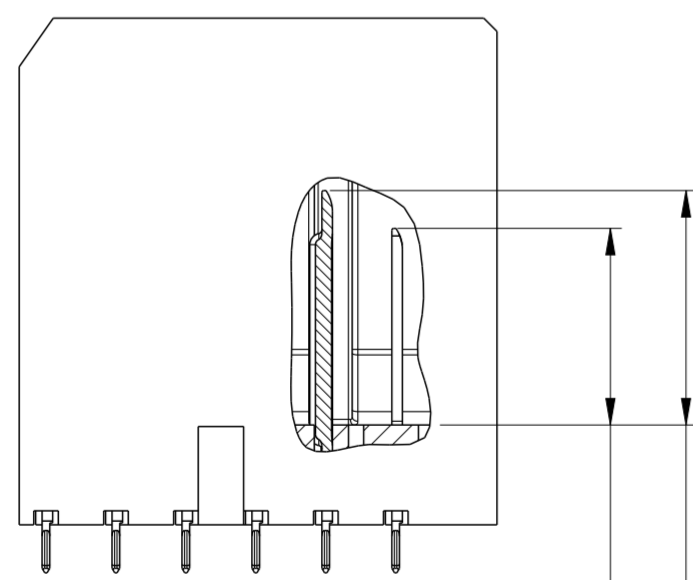
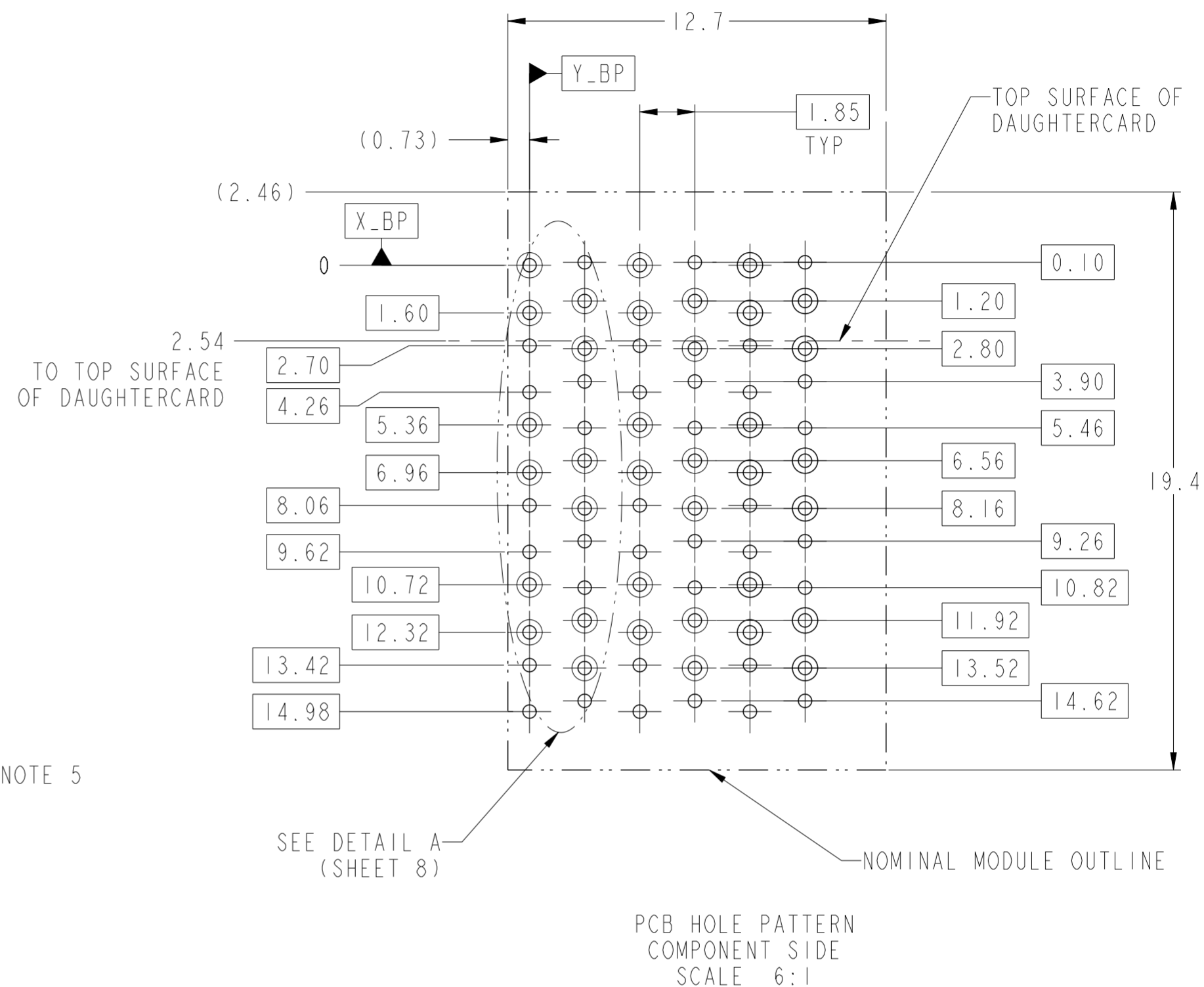
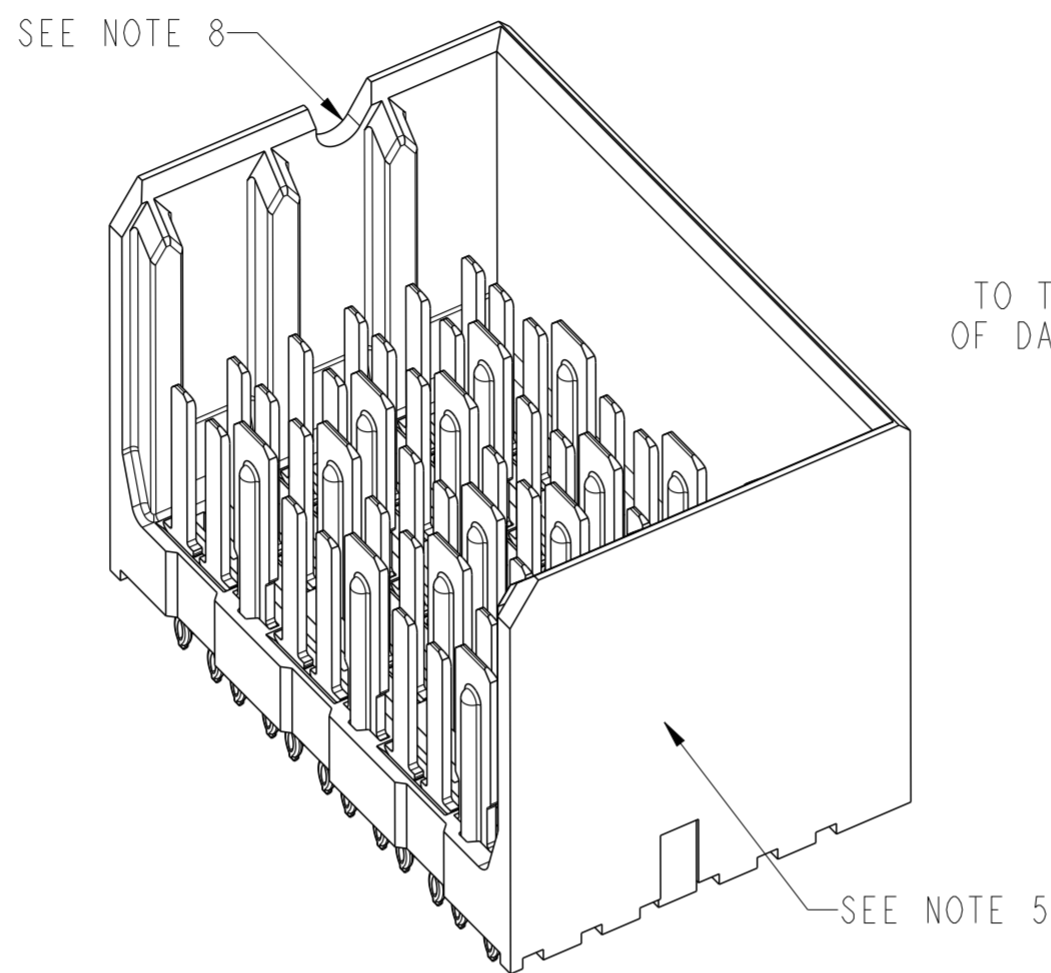
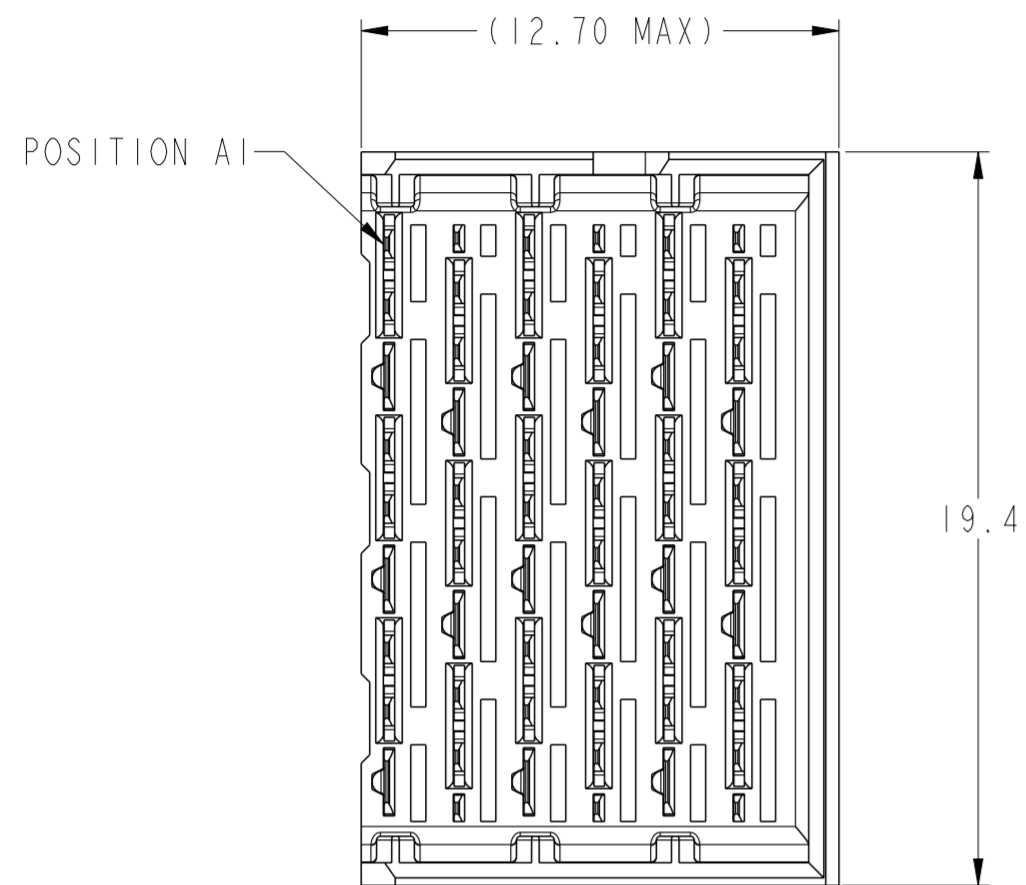
spec ref	-	dr	Roger Ng	2011/1/22	projection	MM	size	A2	scale	4:1	
tolerance std	ASME Y14.5	eng	Sandar Soe	2014/10/02			ecn no	ELX-S-18843-1			
TOLERANCES UNLESS OTHERWISE SPECIFIED		chr	-	appr			Chen-Hong Tan	2014/12/10	product family	XCEDE	rel level
surface	ASME Y14.5	linear	0.X	±0.2		<b>MODULE ASSEMBLY</b> VERTICAL HEADER, 6 COLUMN, 3 PAIR	dwg no	10119189			
		angular	0°	±2°			www.fci.com	cat. no.	Product - Customer Drw		
									rev	B	

PDS: Rev :B

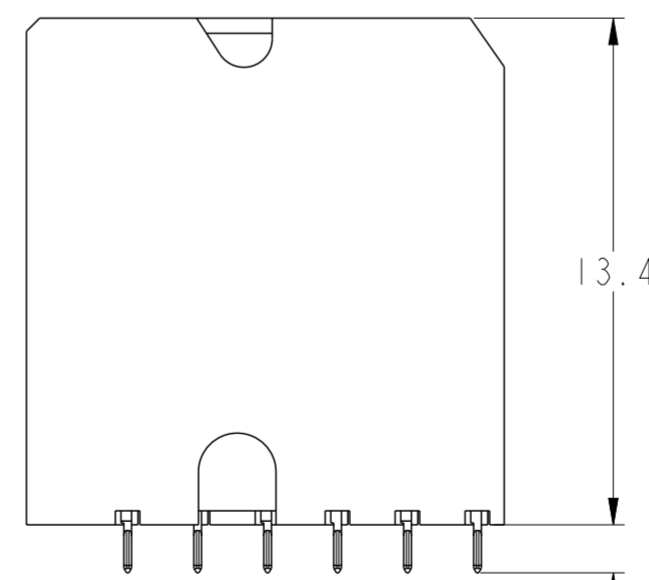
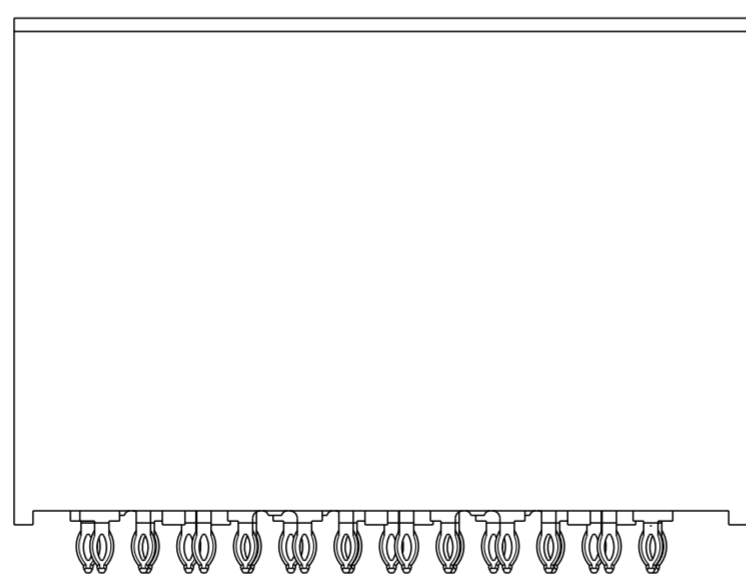
STATUS:Released

Printed: Dec 10, 2014

RIGHT WALL MODULE



- 5.2 (3MM SMALL END GROUNDS)
- 5.2 (3MM WIPE SIGNALS)
- 4.2 (2MM WIPE SIGNALS)
- SEE P/N TREE
- 6.2 (4MM WIPE WIDE GROUNDS)
- 5.2 (3MM WIPE WIDE GROUNDS)



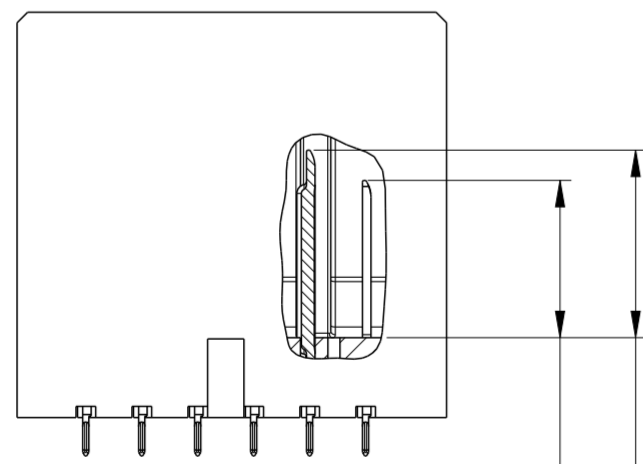
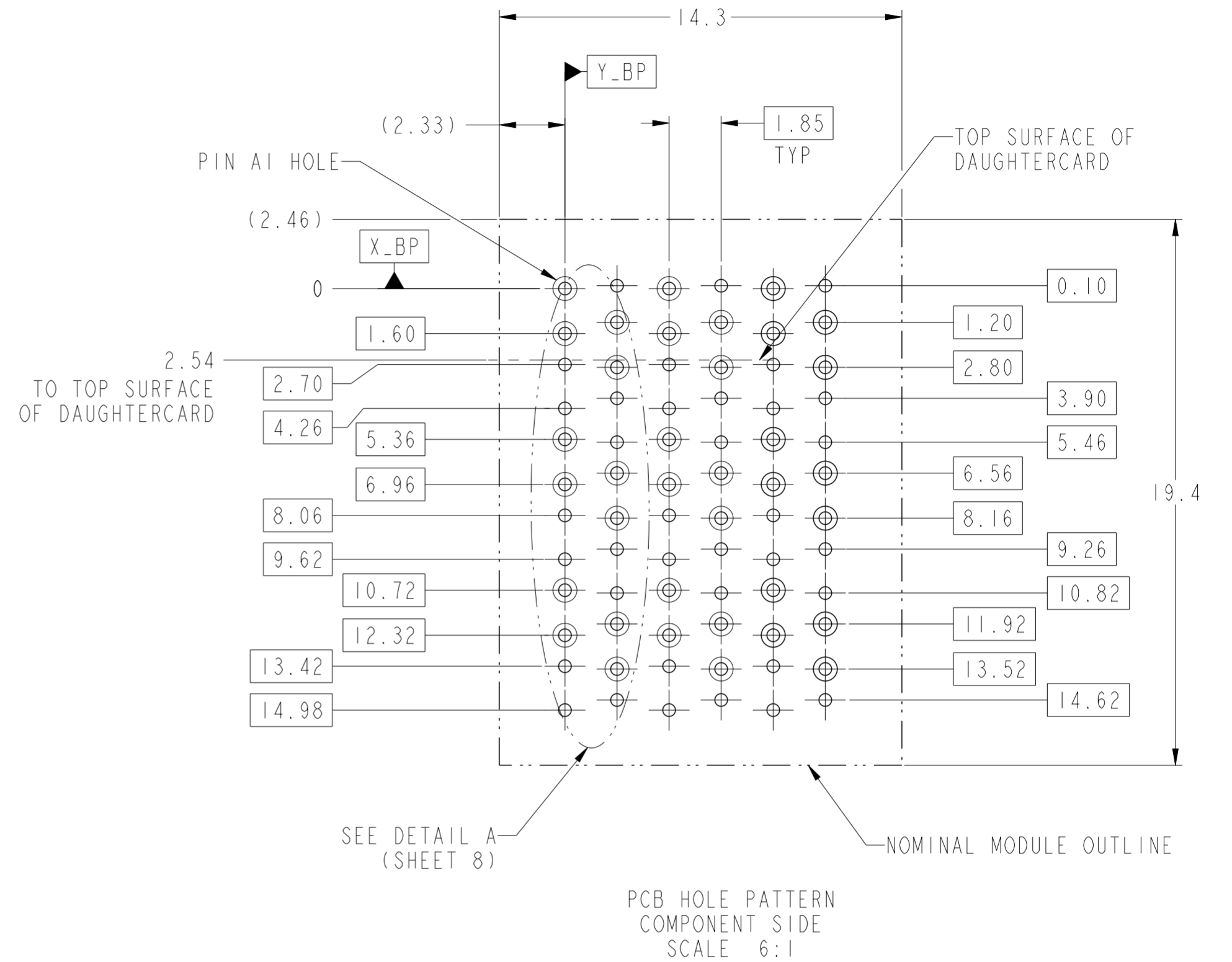
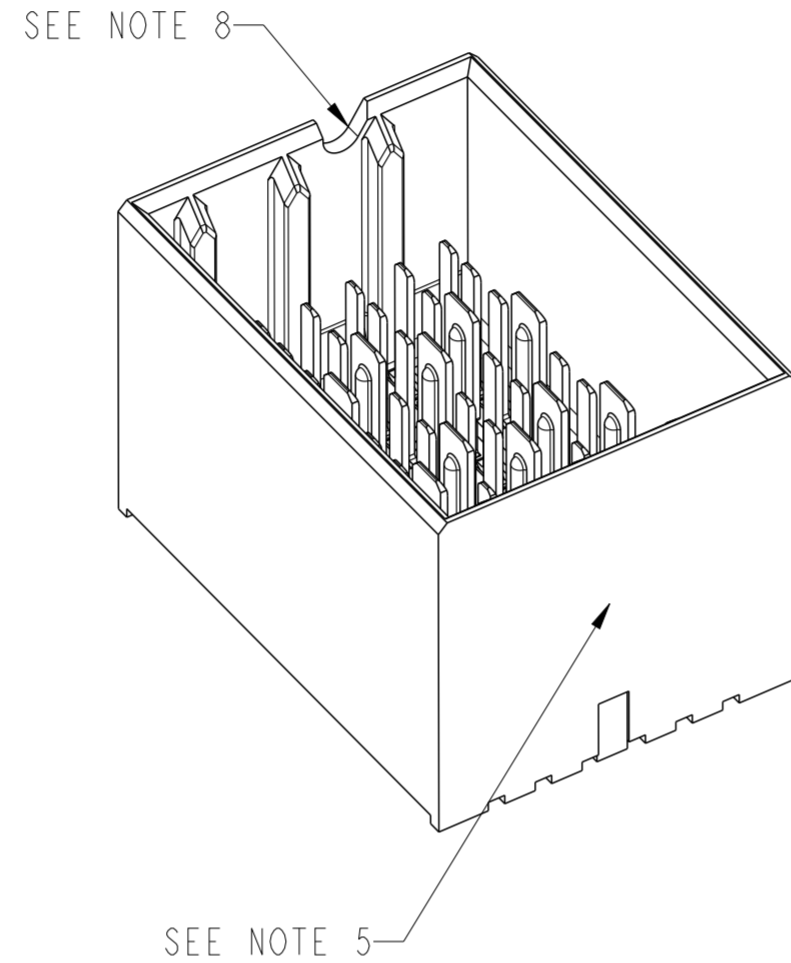
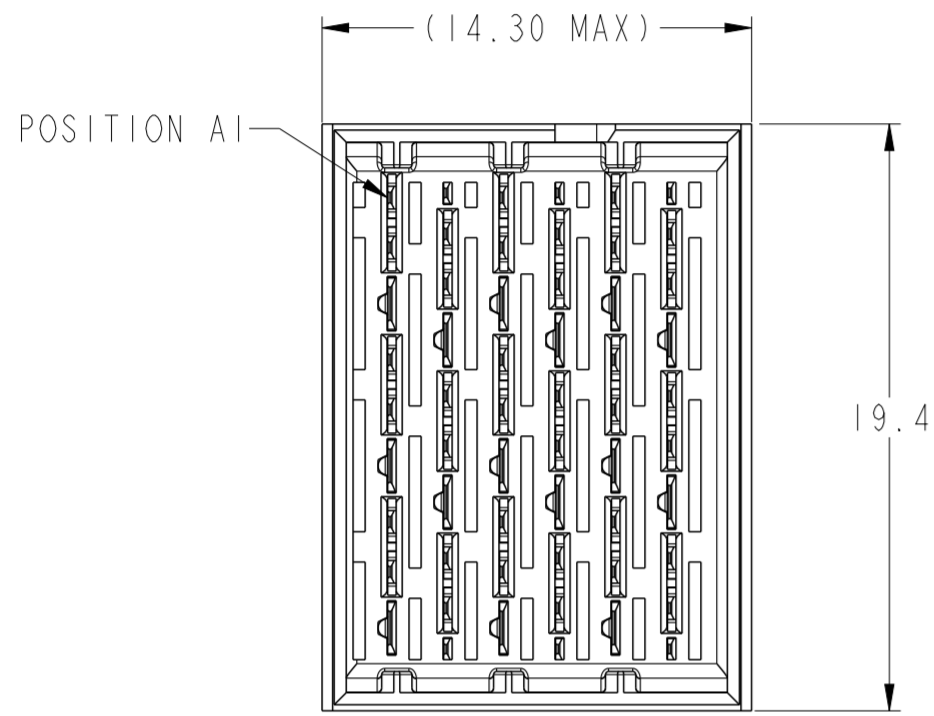
TAIL LENGTH  
SEE NOTE 12  $\triangle B$

spec ref	-	dr	Roger Ng	2011/11/22	projection	MM	size	A2	scale	4:1
tolerance std	ASME Y14.5	eng	Sandar Soe	2014/10/02			ecn no	ELX-S-18843-1		
TOLERANCES UNLESS OTHERWISE SPECIFIED		chr	-	appr			Chen-Hong Tan	2014/12/10	product family	XCEDE rel level
surface	✓	linear	0.X	±0.2			cat. no.	-		
			0.XX	±0.10	<b>MODULE ASSEMBLY</b>		dwg no	10119189		
			0.XXX	±0.050	VERTICAL HEADER, 6 COLUMN, 3 PAIR		rev	B		
angular	0°	±2°			Product - Customer Drw		sheet	6 of 8		

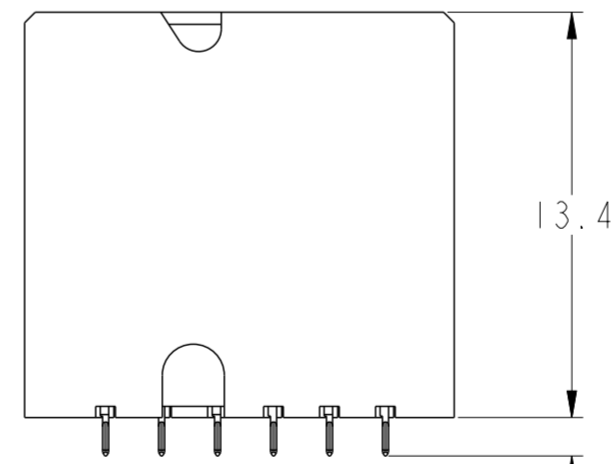
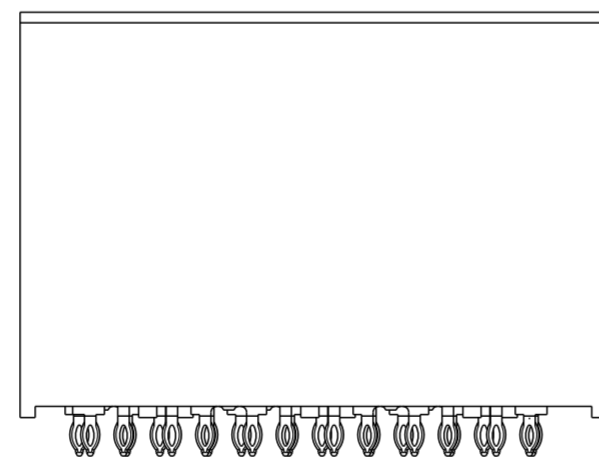


Copyright FCI.

FOUR WALL MODULE



- 5.2 (3MM SMALL END GROUNDS)
- 5.2 (3MM WIPE SIGNALS)
- 4.2 (2MM WIPE SIGNALS)
- SEE P/N TREE
- 6.2 (4MM WIPE WIDE GROUNDS)
- 5.2 (3MM WIPE WIDE GROUNDS)



TAIL LENGTH  
SEE NOTE 12  $\triangle B$

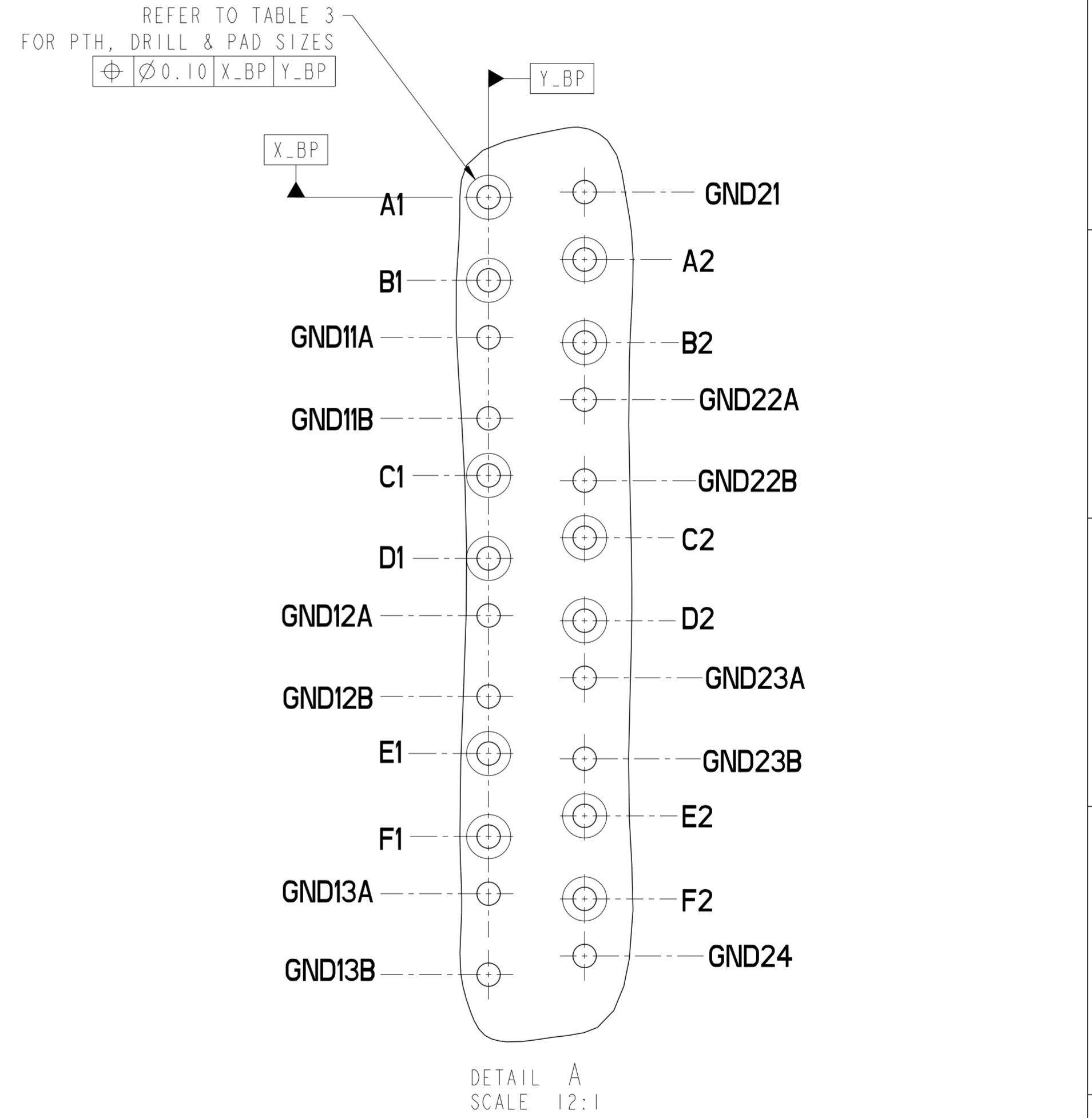
spec ref	-	dr	Roger Ng	2011/11/22	projection	MM	size	A2	scale	4:1		
tolerance std	ASME Y14.5	eng	Sandar Soe	2014/10/02			ecn no	ELX-S-18843-1				
TOLERANCES UNLESS OTHERWISE SPECIFIED		chr	-	appr			Chen-Hong Tan	2014/12/10	product family	XCEDE	rel level	Released
surface	ASME Y14.5	linear	0.X	$\pm 0.2$			title	MODULE ASSEMBLY		dwg no	10119189	
			0.XX	$\pm 0.10$	www.fci.com		cat. no.	-	Product - Customer Drw	sheet 7 of 8	rev	B
		angular	0°	$\pm 2^\circ$								



TABLE 3: PTH AND PAD SIZES WITH REFERENCE TO COMPLIANT PIN DRILL		
COMPLIANT PIN DRILL	PTH	PAD
Ø0.55 [0.0217"]	Ø0.45±0.05	Ø0.85
Ø0.45 [0.0177"]	Ø0.36±0.05	Ø0.75

NOTES:

1. CONNECTOR MATERIALS  
SHROUD: HIGH-TEMP THERMOPLASTIC, GRAY, UL94V-0  
CONTACTS: HIGH PERFORMANCE COPPER ALLOY
2. CONTACT PLATING:  
  
SEPARABLE INTERFACE: PERFORMANCE-BASED PLATING, QUALIFIED TO MEET THE REQUIREMENTS OF FCI PRODUCT SPECIFICATION GS-12 588, INCLUDING THE TELCORDIA GR-1217-CORE (NOVEMBER 1995) CENTRAL OFFICE (CO) OR UNCONTROLLED ENVIRONMENT (UE) TEST SEQUENCE AS NOTED IN P/N TREE.  
  
PRESS-FIT TAILS: TIN OVER NICKEL (LF), OR TIN-LEAD ALLOY OVER NICKEL (NON-LF). SEE P/N TREE.
3. PRODUCT SPECIFICATION: GS-12-588
4. APPLICATION SPECIFICATION: GS-20-121
5. PRODUCT MARKING (PART NUMBER AND LOT CODE) ON THESE SURFACES.
6. HOUSING MUST WITHSTAND EXPOSURE TO 260°C PEAK TEMPERATURE FOR 40 SECONDS IN A CONVECTION, INFRA-RED, OR VAPOR-PHASE REFLOW OVEN.
7. PACKAGING MEETS GS-14-920 LEAD-FREE LABELING SPECIFICATION.
8. NOTCH INDICATES "ROW A" SIDE OF CONNECTOR.
9. SEE APPLICATION SPECIFICATION FOR ROUTING GUIDELINES, ADDITIONAL PTH GUIDELINES, MATED DIMENSIONS, GUIDE PN SELECTION, ETC.
10. SCREW IS OPTIONAL AND ENGAGES WITH BOTTOM OF GUIDE-PIN FROM BENEATH THE PCB FOR ADDITIONAL GUIDE-PIN SUPPORT.
11. OPTIMAL HOLE LOCATION FOR GROUNDED PIN OR ADDITIONAL GUIDE-PIN SUPPORT. SEE TABLE 1 ON SHEET 1 FOR ADDITIONAL DETAILS.
12. TAIL LENGTH=1.3mm FOR Ø0.55[0.0217"]COMPLIANT PIN DRILL  
TAIL LENGTH=1.5mm FOR Ø0.45[0.0177"]COMPLIANT PIN DRILL
13. A  $\triangle$  B SYMBOL WILL BE NEXT TO ANY DIMENSION, VIEW OR NOTE THAT HAS BEEN MODIFIED WITH THE CURRENT DRAWING REVISION.



Copyright FCI. FCI

spec ref	-	dr	Roger Ng	2011/11/22	projection	MM	size	A2	scale	4:1		
tolerance std	ASME Y14.5	eng	Sandar Soe	2014/10/02			ecn no	ELX-S-18843-1				
TOLERANCES UNLESS OTHERWISE SPECIFIED		chr	-	appr			Chen-Hong Tan	2014/12/10	product family	XCEDE		
surface	ASME Y14.5	linear	0.X ±0.2 0.XX ±0.10 0.XXX ±0.050	angular			0° ±2°	www.fci.com	cat. no.	-	Product - Customer Drw	sheet 8 of 8
							title	MODULE ASSEMBLY		rel level	Released	
							dwg no	10119189		rev	B	
							cat. no.	-		Printed: Dec 10, 2014		





Компания «ЭлектроПласт» предлагает заключение долгосрочных отношений при поставках импортных электронных компонентов на взаимовыгодных условиях!

Наши преимущества:

- Оперативные поставки широкого спектра электронных компонентов отечественного и импортного производства напрямую от производителей и с крупнейших мировых складов;
- Поставка более 17-ти миллионов наименований электронных компонентов;
- Поставка сложных, дефицитных, либо снятых с производства позиций;
- Оперативные сроки поставки под заказ (от 5 рабочих дней);
- Экспресс доставка в любую точку России;
- Техническая поддержка проекта, помощь в подборе аналогов, поставка прототипов;
- Система менеджмента качества сертифицирована по Международному стандарту ISO 9001;
- Лицензия ФСБ на осуществление работ с использованием сведений, составляющих государственную тайну;
- Поставка специализированных компонентов (Xilinx, Altera, Analog Devices, Intersil, Interpoint, Microsemi, Aeroflex, Peregrine, Syfer, Eurofarad, Texas Instrument, Miteq, Cobham, E2V, MA-COM, Hittite, Mini-Circuits, General Dynamics и др.);

Помимо этого, одним из направлений компании «ЭлектроПласт» является направление «Источники питания». Мы предлагаем Вам помощь Конструкторского отдела:

- Подбор оптимального решения, техническое обоснование при выборе компонента;
- Подбор аналогов;
- Консультации по применению компонента;
- Поставка образцов и прототипов;
- Техническая поддержка проекта;
- Защита от снятия компонента с производства.



#### Как с нами связаться

**Телефон:** 8 (812) 309 58 32 (многоканальный)

**Факс:** 8 (812) 320-02-42

**Электронная почта:** [org@eplast1.ru](mailto:org@eplast1.ru)

**Адрес:** 198099, г. Санкт-Петербург, ул. Калинина, дом 2, корпус 4, литера А.