

NCS2561

3.3V Single Channel Video Driver with Reconstruction Filter and SAG Correction

The NCS2561 is a single high speed video driver including a 2-pole reconstruction filter and SAG correction capability. The NCS2561 is available in a space saving SC-88 package optimized for low voltage, portable applications. It is designed to be compatible with Digital-to-Analog Converters (DAC) embedded in most video processors.

The NCS2561 internally integrates an 8 MHz 2-pole video DAC reconstruction filter with a fixed gain of 2. The NCS2561 also has a built-in SAG correction circuit when used at the output in an AC-coupled mode. To further reduce power consumption, an enable pin is provided.

Features

- Internal 8 MHz 2-Pole Reconstruction Filter
- Internal Fixed Gain: 6 dB
- Integrated Level Shifter
- SAG Correction Circuit for Reducing Coupling Capacitor Size
- Low Quiescent Current: 6 mA Typ
- Shutdown Current < 5 μ A
- Wide Input Voltage Range
- Capability to Drive 2 CVBS Video Signals Together (2x150 Ω Loads)
- Excellent Video Performance
- Operating Supply Voltage Range: +2.7 V to +3.3 V
- Space-Saving SC-88 Package
- Pin-Compatible with Similar Competitive Devices
- This is a Pb-Free Device

Applications

- Portable Video
- Digital Cameras
- Camera Phones
- Set-Top Box Video Filters
- NTSC and PAL

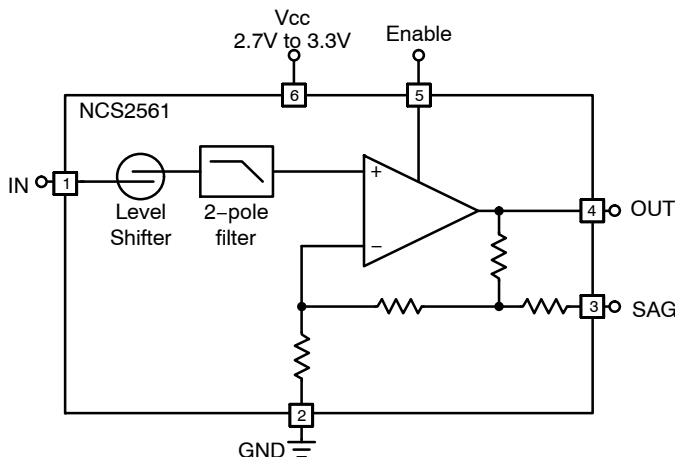


Figure 1. Block Diagram



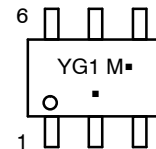
ON Semiconductor®

<http://onsemi.com>



SC-88
SQ SUFFIX
CASE 419B

MARKING DIAGRAMS



YG1 = Specific Device Code

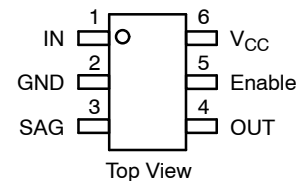
M = Date Code*

▪ = Pb-Free Package

(*Note: Microdot may be in either location)

*Date Code orientation and/or position may vary depending upon manufacturing location.

PIN CONNECTIONS



ORDERING INFORMATION

Device	Package	Shipping†
NCS2561SQT1G	SC-88 (Pb-Free)	3000 / Tape & Reel

†For information on tape and reel specifications, including part orientation and tape sizes, please refer to our Tape and Reel Packaging Specifications Brochure, BRD8011/D.

Related Resource:

Refer to Application Note AND8457/D for details regarding SAG Correction

NCS2561

PIN FUNCTION AND DESCRIPTION

Pin	Name	Type	Description
1	IN	Input	Video Input
2	GND	Ground	Ground
3	SAG	Output	Sag Compensation
4	OUT	Output	Video Output
5	Enable	Input	Enable / Disable Function: High = Enable, Low = Disable. When left open the default state is High.
6	V _{CC}	Power	Power Supply / $2.7\text{ V} \leq V_{CC} \leq 3.3\text{ V}$

ATTRIBUTES

Characteristic	Value
ESD Protection Human Body Model, R = 1000 Ω , C = 100 pF Machine Model	2 kV 200 V
Moisture Sensitivity (Note 1)	Level 1
Flammability Rating Oxygen Index: 28 to 34	UL 94 V-0 @ 0.125 in

1. For additional Moisture Sensitivity information, refer to Application Note AND8003/D.

MAXIMUM RATINGS

Rating	Symbol	Value	Unit
Power Supply Voltages	V _{CC}	3.6	Vdc
Input Voltage Range	V _I	-0.5 to V _{CC} + 0.5	Vdc
Output Short-Circuit to GND thru 75 Ω	I _{SC}	Continuous	-
Maximum Junction Temperature (Note 2)	T _J	150	°C
Operating Ambient Temperature	T _A	-40 to +125	°C
Storage Temperature Range	T _{stg}	-60 to +150	°C
Thermal Resistance, Junction-to-Air	R _{θJA}	250	°C/W

Stresses exceeding Maximum Ratings may damage the device. Maximum Ratings are stress ratings only. Functional operation above the Recommended Operating Conditions is not implied. Extended exposure to stresses above the Recommended Operating Conditions may affect device reliability.

2. Power dissipation must be considered to ensure maximum junction temperature (T_J) is not exceeded.

MAXIMUM POWER DISSIPATION

The maximum power that can be safely dissipated is limited by the associated rise in junction temperature. For the plastic packages, the maximum safe junction temperature is 150°C. If the maximum is exceeded momentarily, proper circuit operation will be restored as

soon as the die temperature is reduced. Leaving the device in the “overheated” condition for an extended period can result in device burnout. To ensure proper operation, it is important to observe the de-rating curves.

NCS2561

DC ELECTRICAL CHARACTERISTICS with $V_{CC} = 2.7 \text{ V to } 3.3 \text{ V}$ ($T_A = +25^\circ\text{C}$, $R_L = 150 \ \Omega$ to GND, unless otherwise specified)

Symbol	Characteristic	Conditions	Min	Typ	Max	Unit
--------	----------------	------------	-----	-----	-----	------

DC PERFORMANCE

V_{OLS}	Offset Level–Shift Output Voltage $T_A = -40^\circ\text{C to } +125^\circ\text{C}$ (Note 3)	$V_{CC} = 3.3 \text{ V}$, $V_{IN} = 0 \text{ V}$	10	60 60	80	mV
I_{IB}	Input Bias Current			± 3		pA
V_{IN}	Input Voltage Range (Note 4)	$V_{CC} = 3.3 \text{ V}$	GND		$V_{CC} - 1.5$	V
A_V	Voltage Gain	$V_{CC} = 3.3 \text{ V}$, $0 < V_{IN} < 1.5 \text{ V}$ 40 IRE Sync, 100 IRE White Level	5.8	6.0	6.2	dB
V_{IH}	Enable Input High Level Voltage		1.6		V_{CC}	V
V_{IL}	Enable Input Low Level Voltage		GND		0.8	V

OUTPUT CHARACTERISTICS

V_{OH}	Output High Level Voltage	$R_L = 150 \ \Omega$ to GND $R_L = 75 \ \Omega$ to GND	$V_{CC} - 0.3$	$V_{CC} - 0.1$ $V_{CC} - 0.3$		V
V_{OL}	Output Low Level Voltage (Note 5)			60		mV
I_O	Output Current	$V_{CC} = 3.3 \text{ V}$		± 50		mA

POWER SUPPLY

V_{CC}	Operating Voltage Range		2.7		3.3	V
$I_{CC, ON}$	Power Supply Current – Enabled $T_A = -40^\circ\text{C to } +125^\circ\text{C}$ (Note 3)	$V_{IN} = 0 \text{ V}$, $V_{CC} = 3.3 \text{ V}$, $I_O = 0 \text{ mA}$		6.0	7.5 9.0	mA
$I_{CC, OFF}$	Power Supply Current – Disabled	$V_{IN} = 0 \text{ V}$, $V_{CC} = 3.3 \text{ V}$, $I_O = 0 \text{ mA}$		1.5	5.0	μA
PSRR	Power Supply Rejection Ratio	$V_{CC} = 2.7 \text{ V to } 3.3 \text{ V}$		± 80		$\mu\text{V/V}$

3. Guaranteed by design and/or characterization.
4. Limited by output swing and internal gain.
5. Output low voltage level is limited by the internal level shift circuitry.

AC ELECTRICAL CHARACTERISTICS with $V_{CC} = 2.7 \text{ V to } 3.3 \text{ V}$ ($T_A = +25^\circ\text{C}$, $R_L = 150 \ \Omega$ to GND, unless otherwise specified)

Symbol	Characteristic	Conditions	Min	Typ	Max	Unit
--------	----------------	------------	-----	-----	-----	------

FREQUENCY DOMAIN PERFORMANCE

A_n	Normalized Passband Gain (Note 6)	$V_{CC}=3.3 \text{ V}$, $f=1.0 \text{ MHz}$, $V_O=2 \text{ V}_{p-p}$ $V_{CC}=3.3 \text{ V}$, $f=4.5 \text{ MHz}$, $V_O=2 \text{ V}_{p-p}$ $f = 27 \text{ MHz}$, $V_O = 2 \text{ V}_{p-p}$	-0.4 -0.2 -18	0 +0.4 -22	+0.4 +0.8	dB
dG	Differential Gain	$V_{CC} = 3.3 \text{ V}$, $A_V = +2$, $R_L = 150 \ \Omega$, $f = 3.58 \text{ MHz}$, 4.43 MHz		0.5		%
dP	Differential Phase	$V_{CC} = 3.3 \text{ V}$, $A_V = +2$, $R_L = 150 \ \Omega$, $f = 3.58 \text{ MHz}$, 4.43 MHz		1.0		$^\circ$
SNR	Signal to Noise Ratio	$V_{CC} = 3.3 \text{ V}$, 100% White Signal		70		dB

TIME DOMAIN RESPONSE

ΔT_g	Group Delay Variation	$V_{CC} = 3.3 \text{ V}$, 100 kHz to 5.0 MHz		15		ns
t_{ON}	Turn ON Time			1.5		μs
t_{OFF}	Turn OFF Time			50		ns

6. The normalized gain is guaranteed by design and characterization. The max normalized gain of +0.8 dB is the result of smooth peaking (pre-emphasis, see figure 2) taking into account the increase of the losses at the highest frequencies into connectors and cable at the output. For frequencies lower than 2 MHz the max normalized gain is 0.4 dB.

TYPICAL CHARACTERISTICS (At $T_A = +25^\circ\text{C}$ and $R_L = 150\ \Omega$, unless otherwise specified)

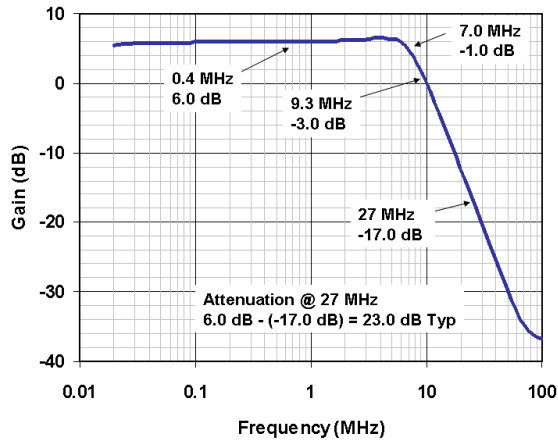


Figure 2. Frequency Response

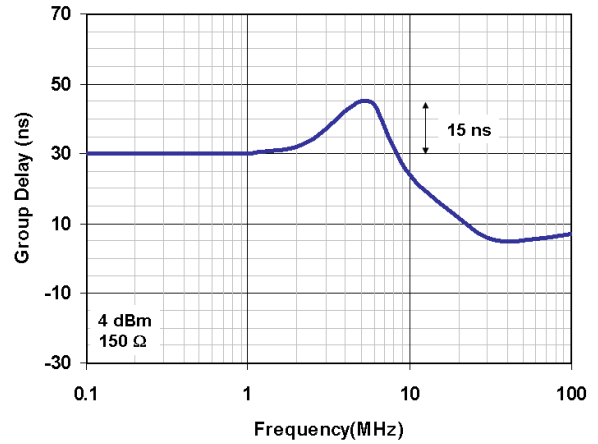


Figure 3. Group Delay vs. Frequency

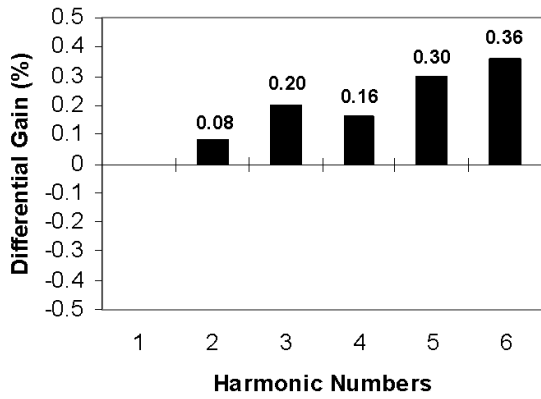


Figure 4. Differential Gain

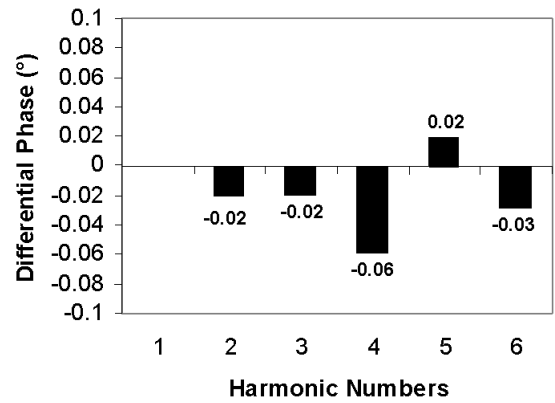


Figure 5. Differential Phase

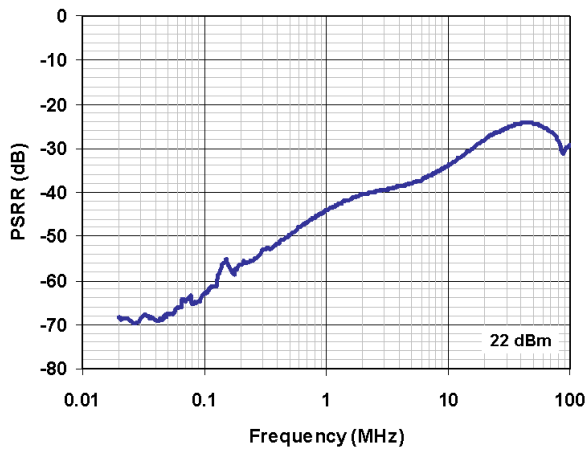


Figure 6. PSRR vs. Frequency

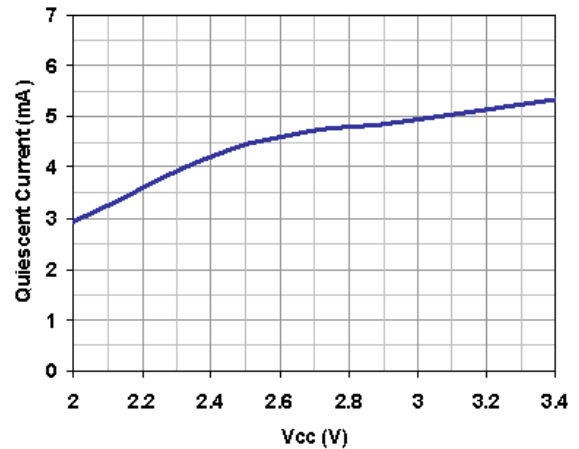


Figure 7. Quiescent Current vs. Supply Voltage

NCS2561

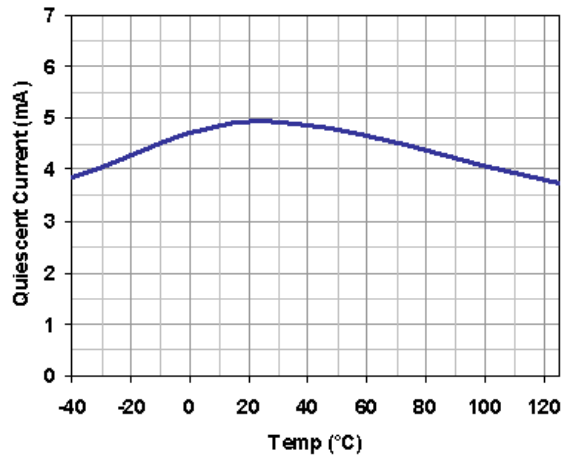


Figure 8. Quiescent Current vs. Temperature
($V_{CC} = 3.0\text{ V}$)

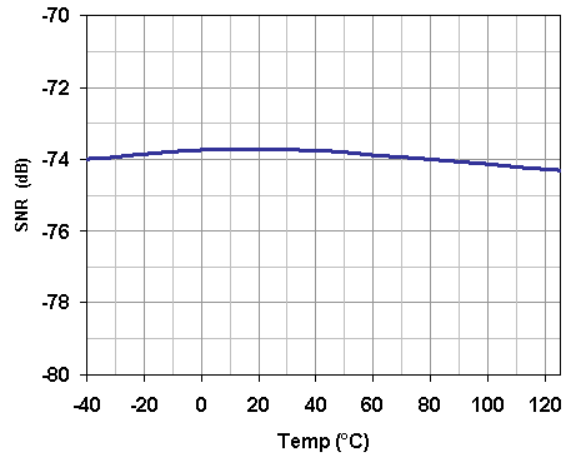


Figure 9. Signal-to-Noise Ratio vs. Temperature

APPLICATIONS INFORMATION

The NCS2561 is a single video driver optimized for portable applications with low power consumption in a space saving SC-88 package. It includes sag correction circuitry allowing significant reduction of the AC-coupled output capacitor.

Internal Level Shift

The input common mode voltage range (see specifications V_{IN}) of the NCS2561 includes the lower rail (GND) and extends to $V_{CC} - 1.5V$ on a power supply range of 2.7 V to 3.3 V. Many video processors operate with a supply ranging from 0 V to a positive supply (typically 3.3 V), so the lowest voltage of the video signal provided by the DAC is 0 V. Although a 0 V (GND) signal is within the input common-mode range of the NCS2561, the output signal will be limited, specifically at the lower rail. Op amps use transistors with saturation voltage (V_{sat}) higher than 0 V. If the lowest level of the input voltage is lower than V_{sat} the signal will be clipped at the output.

To ensure the output signal is not clipped due to the lower rail limit, the NCS2561 has built-in level shift circuitry. The role of this circuitry is to avoid clipping of the sync signal at the output by shifting up the video signal by about 60 mV. The level shift circuitry level shifts the sync signal above the internal op amp transistor saturation limit. This function is particularly useful when the video signal is DC-coupled at the output.

Built-in 2-Pole Reconstruction Filter

The NCS2561 has a 2-pole reconstruction filter with a -3 dB cut-off frequency at 8 MHz. The filter serves as an anti-alias filter removing the unwanted over-sampling effects produced by the video DAC. The 27 MHz over-sampling frequency from the video DAC is attenuated by 22 dB typical. In order to improve the stop-band attenuation a small capacitor (C_s) of a few tenths pico Farads can be added in parallel with the source resistor (R_s) (See Figure 10).

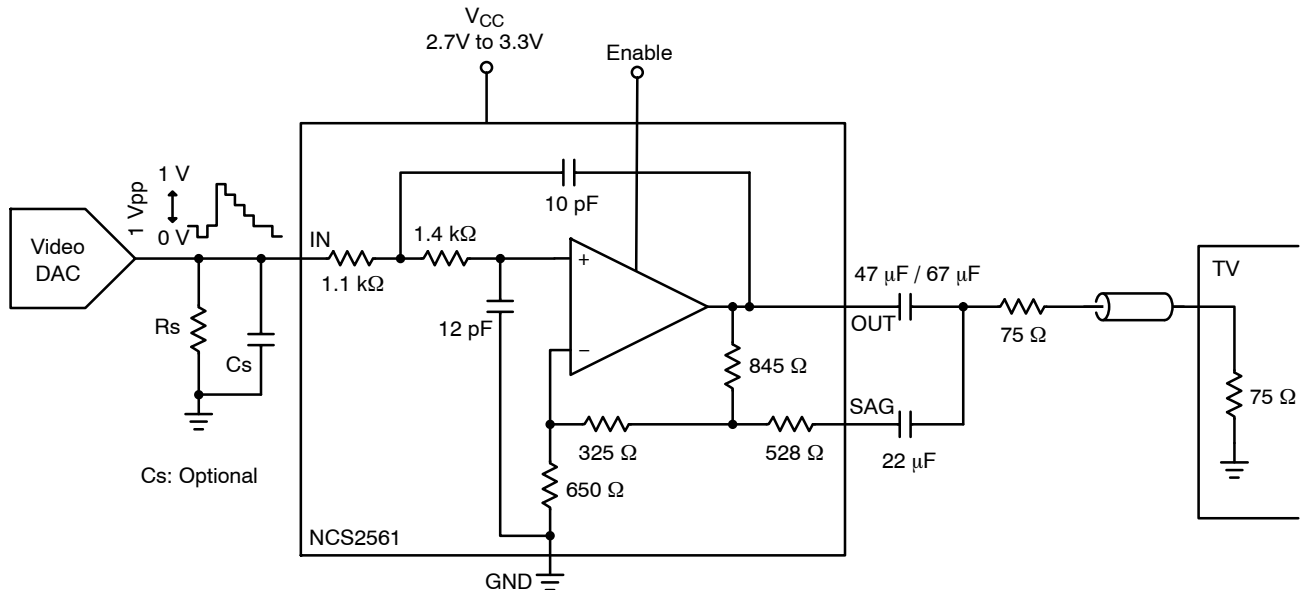


Figure 10. Block Diagram Showing Filter and Sag Correction Circuits

Shutdown Mode

If the Enable pin is left open by default the circuit will be enabled. The Enable pin offers a shutdown function, so the NCS2561 can consequently be disabled when not used. This is particularly important for digital still cameras or cell phones with camera having a video output feature. Indeed

this video output is not permanently used and actually used in very specific period of time when pictures or small movies want to be displayed on a bigger screen. The device's quiescent current drops typically down to 2.7 μA when the device is in the shutdown mode.

Sag Correction

Video drivers that do not incorporate sag compensation traditionally recommend a large coupling capacitor (220 μF) on the output of the video driver. Larger output coupling capacitors ($\geq 470 \mu\text{F}$) are often chosen by design engineers when the application allows this (Set-Top Box). A larger output coupling capacitor allows a lower cut-off frequency to avoid field tilt effects; however in portable applications there is a trade-off between large and expensive coupling

capacitors, and a coupling configuration to saving space. The sag compensation circuitry allows the reduction of this output coupling capacitor value by inducing peaking at the lower cutoff frequency of the high pass filter. The high-pass filter is created by the coupling capacitor and the load resistor ($1/(2\pi R_L C_{out})$), and this peaking lowers the cutoff frequency. Simulation results provided in Figure 11 show the effect of the sag compensation at the low cut-off frequency.

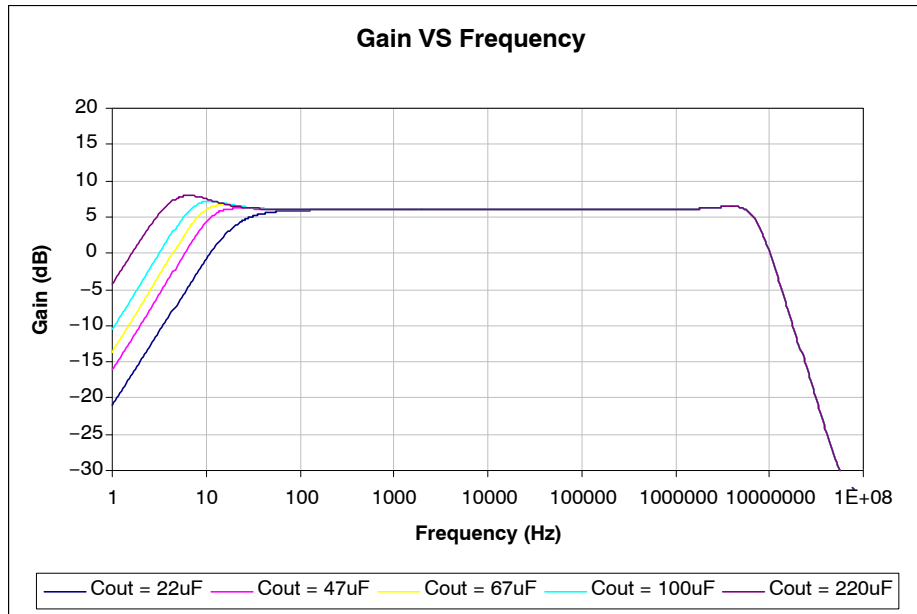


Figure 11. Simulation Results with $C_{sag} = 22 \mu\text{F}$ and Variable C_{out}

Calculations show that a 220 μF output capacitor produces a low cutoff frequency of 5 Hz, and a 470 μF capacitor will give a low cutoff frequency at 2.6 Hz. The cutoff frequency (-3 dB) is defined by the equation: $1/(2\pi R_L C_{out})$. In the case where no sag is used (Figure 14), a low C_{out} value can adversely affect the low cutoff

frequency; the cut-off frequency will be in the critical 50 Hz or 60 Hz frequencies. This undesirable affect will manifest itself as field tilt. Due to the SAG correction the large output capacitor is reduced without degrading the video performances by the use of two smaller and cheaper output capacitors.

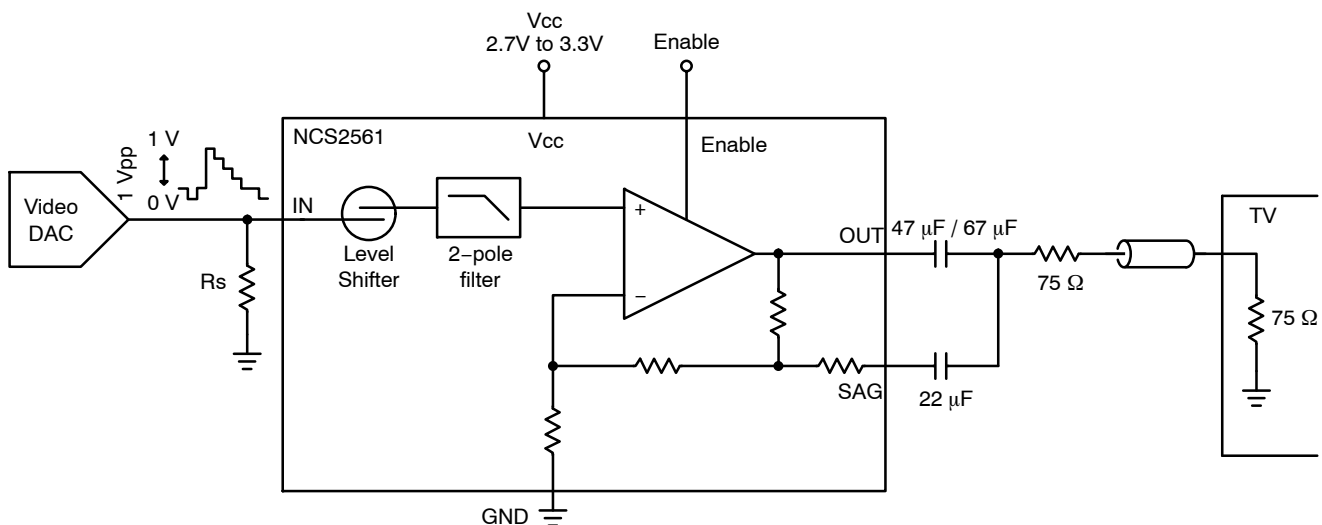


Figure 12. Sag Correction Configuration

NCS2561

The C_{sag} value has no significant impact on the coupling even as the value increases. A value of $22\ \mu\text{F}$ is recommended for optimal performance.

To achieve similar behavior to an output coupling capacitor value $C_{out} = 220\ \mu\text{F}$ (no sag) the nominal equivalent sag combination is $C_{sag} = 22\ \mu\text{F}$ and $C_{out} = 67\ \mu\text{F}$. A value of $47\ \mu\text{F}$ for C_{out} will yield equivalent results. If we consider a coupling cap of $470\ \mu\text{F}$, the best compromise for sag combination is $C_{sag} = 22\ \mu\text{F}$ and $C_{out} = 100\ \mu\text{F}$. A value of $67\ \mu\text{F}$ for C_{out} will yield equivalent results.

Figures 13 and 14 show the impact of the output coupling capacitor on a video signal corresponding to a worst case situation regarding the low frequency bandwidth. The video signal used is a 50 Hz 1/2 black – 1/2 white video pattern. This signal is obtained using the PAL Flat Field Square wave signal option available with the video generator TG700 from Tektronix. These measurements show how the sag function can help to reduce the field tilt problem using lower value coupling capacitor than traditional approach.

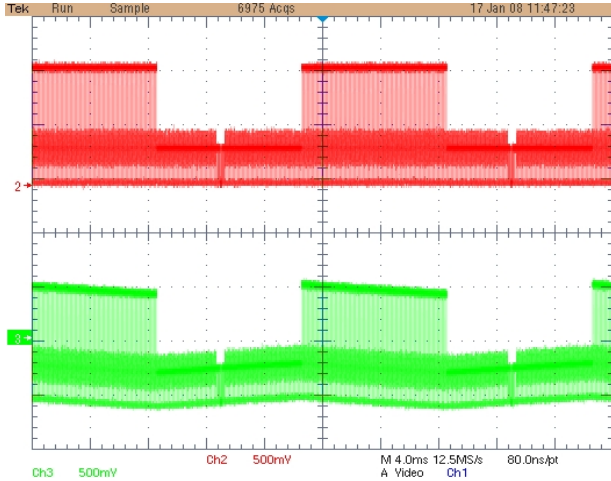


Figure 13. No sag, $C_{out} = 220\ \mu\text{F}$
(Top : Input, Bottom : Output)

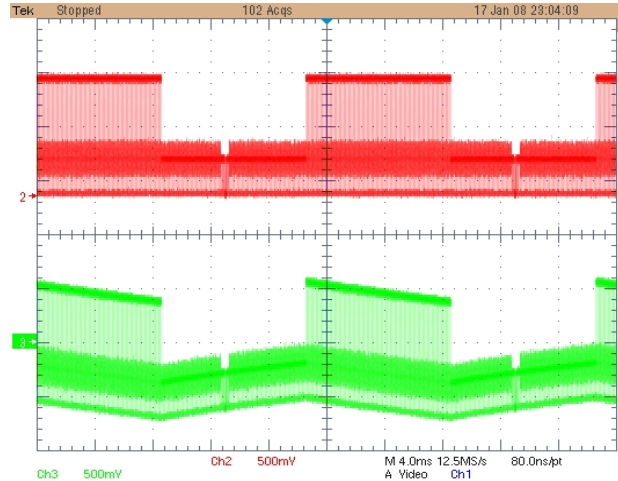


Figure 14. $C_{sag} = 22\ \mu\text{F}$, $C_{out} = 47\ \mu\text{F}$
(Top : Input, Bottom : Output)

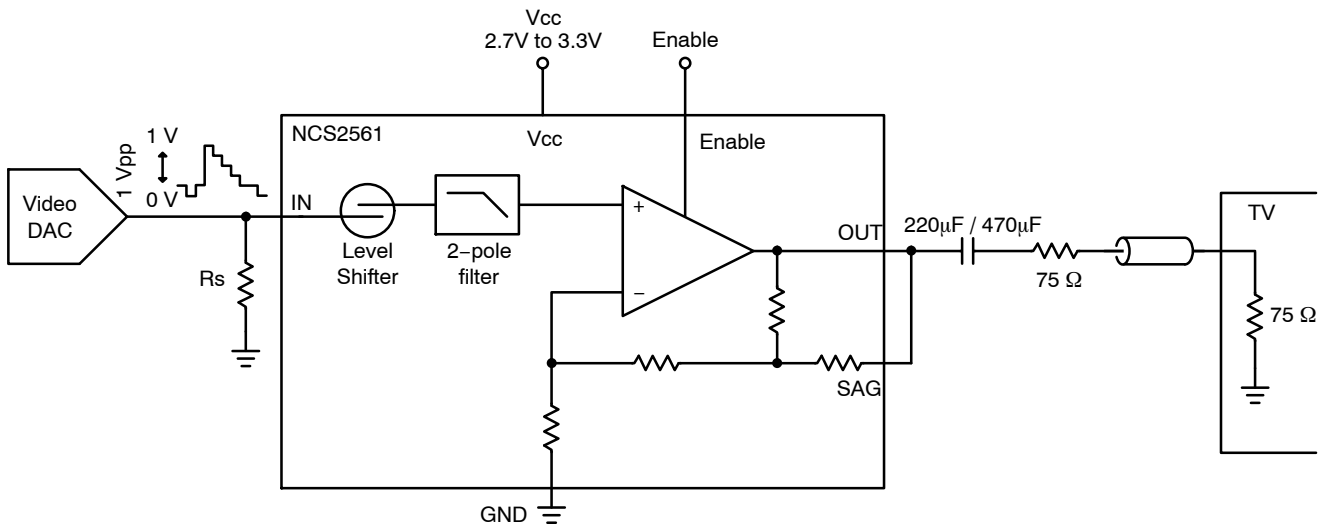


Figure 15. NCS2561 in an AC-Coupled Configuration with no sag

NCS2561

DC-Coupled Output

Having efficient output AC-coupled capability thanks to the sag correction option, with the built-in level shifter, the NCS2561 can also be DC-coupled to a 150 Ω load. This has the advantage of eliminating the AC-coupling capacitors at the output by reducing the number of external components and saving space on the board. This can be a key advantage for some portable applications with limited space.

The problems of field tilt effects on the video signal are also eliminated providing the best video quality with optimal dynamic or peak-to-peak amplitude of the video signal allowing operating at the lower power supply voltage (2.7 V) without risk of signal clipping. In this coupling configuration the average output voltage is higher than 0 V and the power consumption can be a little higher than with an AC-coupled configuration.

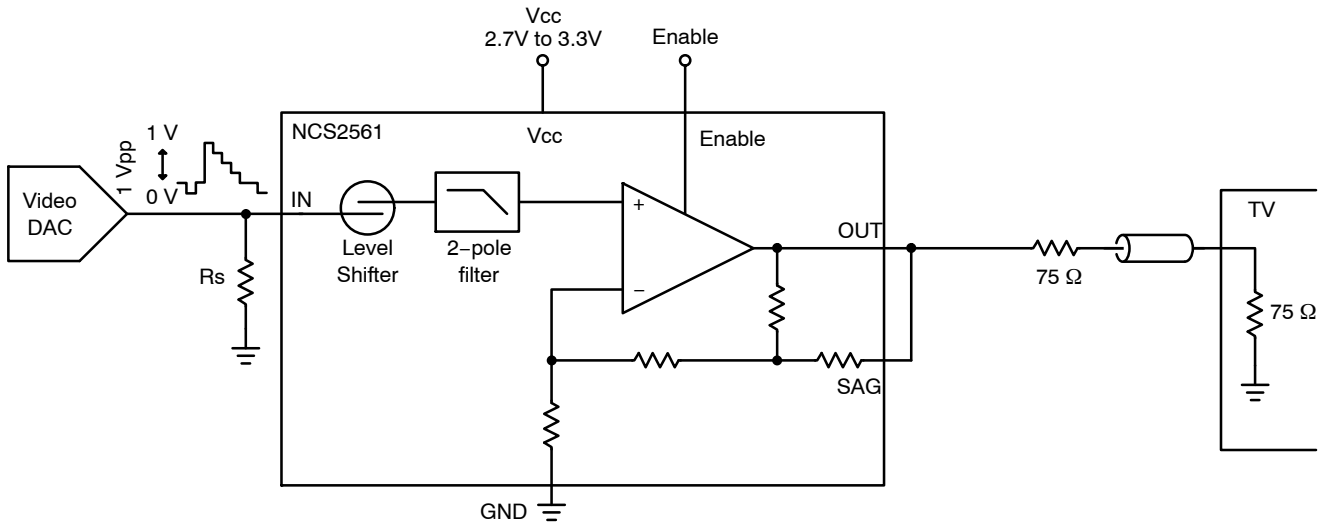


Figure 16. DC-Coupled Input and Output Configuration

Video Driving Capability

With an output current capability of ± 50 mA the NCS2561 was designed to be able to drive at least 2 video display loads in parallel (2 different display or 1 display + 1 VCR). This

applications is illustrated in the Figure 17. Figure 18 (multiburst) and Figure 19 (linearity) show that the video signal can efficiently drive a 75 Ω equivalent load and not degrade the video performance.

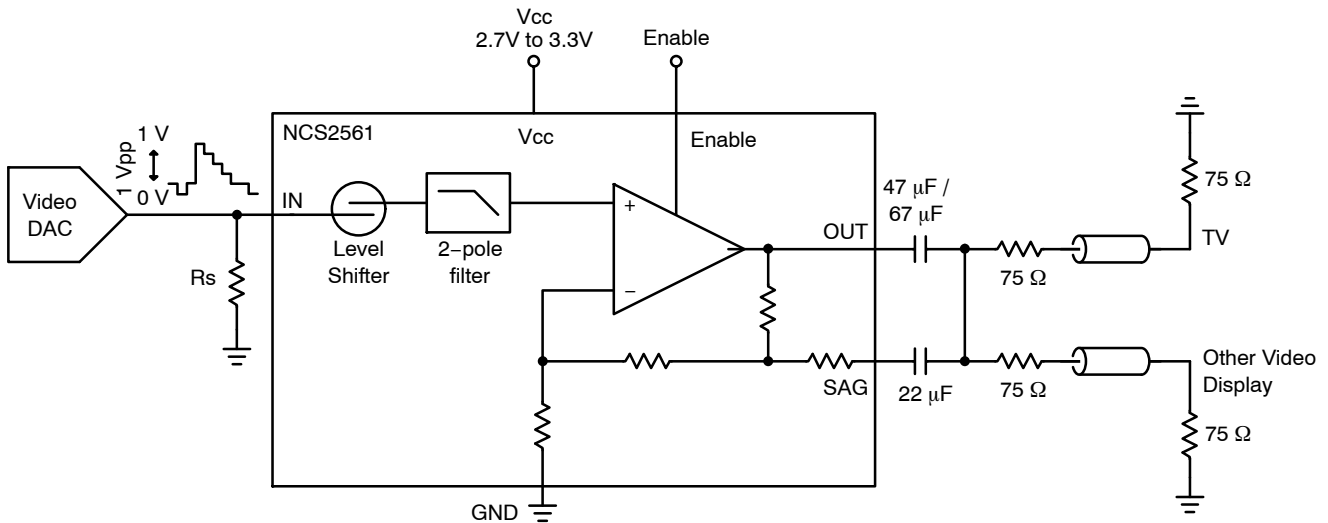


Figure 17. NCS2561 Driving 2 Video Display (two 150 Ω loads)

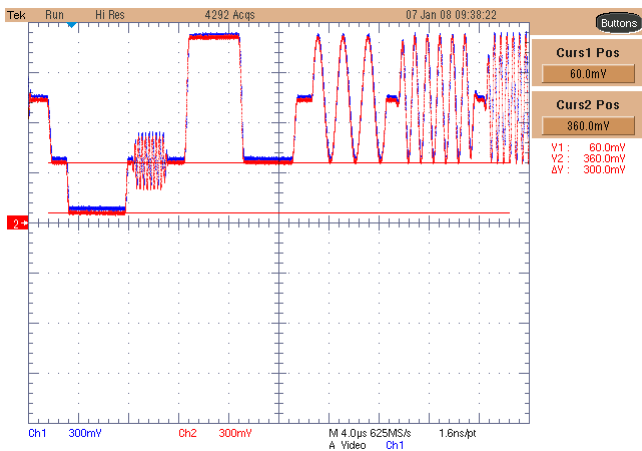


Figure 18. Multiburst Test with two 150 Ω loads

ESD Protection

All the device pins are protected against electrostatic discharge at a level of 2 kV HBM. The output has been considered with a particular attention with ESD structure able to sustain typically more than 2 kV HBM. Actually

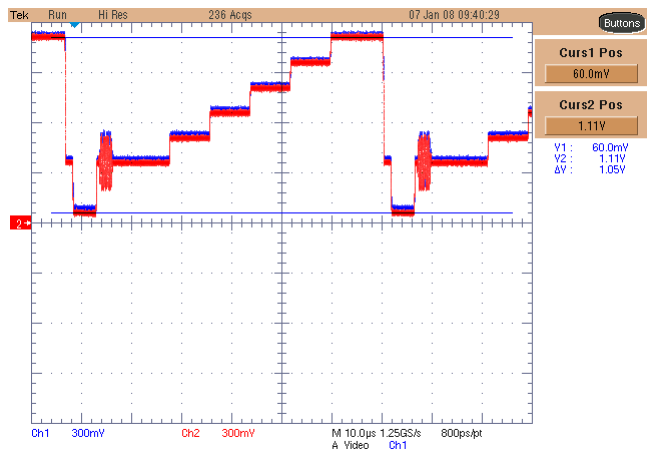


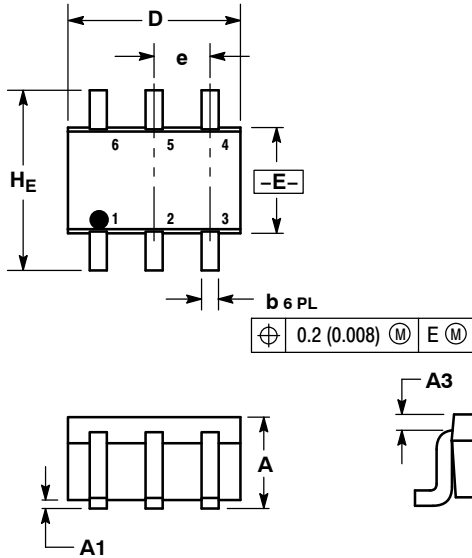
Figure 19. Linearity Test with two 150 Ω loads

more than 4 kV has been measured on this specific output pin. This feature is particularly important for video driver which usually constitutes the last stage in the video chain before the video output connector.

NCS2561

PACKAGE DIMENSIONS

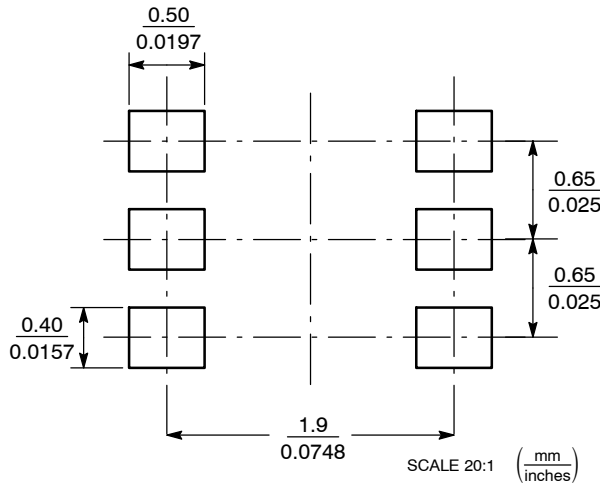
SC-88/SC70-6/SOT-363
CASE 419B-02
ISSUE W



- NOTES:
1. DIMENSIONING AND TOLERANCING PER ANSI Y14.5M, 1982.
 2. CONTROLLING DIMENSION: INCH.
 3. 419B-01 OBSOLETE, NEW STANDARD 419B-02.

DIM	MILLIMETERS			INCHES		
	MIN	NOM	MAX	MIN	NOM	MAX
A	0.80	0.95	1.10	0.031	0.037	0.043
A1	0.00	0.05	0.10	0.000	0.002	0.004
A3	0.20 REF			0.008 REF		
b	0.10	0.21	0.30	0.004	0.008	0.012
C	0.10	0.14	0.25	0.004	0.005	0.010
D	1.80	2.00	2.20	0.070	0.078	0.086
E	1.15	1.25	1.35	0.045	0.049	0.053
e	0.65 BSC			0.026 BSC		
L	0.10	0.20	0.30	0.004	0.008	0.012
HE	2.00	2.10	2.20	0.078	0.082	0.086

SOLDERING FOOTPRINT*



*For additional information on our Pb-Free strategy and soldering details, please download the ON Semiconductor Soldering and Mounting Techniques Reference Manual, SOLDERRM/D.

ON Semiconductor and are registered trademarks of Semiconductor Components Industries, LLC (SCILLC). SCILLC reserves the right to make changes without further notice to any products herein. SCILLC makes no warranty, representation or guarantee regarding the suitability of its products for any particular purpose, nor does SCILLC assume any liability arising out of the application or use of any product or circuit, and specifically disclaims any and all liability, including without limitation special, consequential or incidental damages. "Typical" parameters which may be provided in SCILLC data sheets and/or specifications can and do vary in different applications and actual performance may vary over time. All operating parameters, including "Typicals" must be validated for each customer application by customer's technical experts. SCILLC does not convey any license under its patent rights nor the rights of others. SCILLC products are not designed, intended, or authorized for use as components in systems intended for surgical implant into the body, or other applications intended to support or sustain life, or for any other application in which the failure of the SCILLC product could create a situation where personal injury or death may occur. Should Buyer purchase or use SCILLC products for any such unintended or unauthorized application, Buyer shall indemnify and hold SCILLC and its officers, employees, subsidiaries, affiliates, and distributors harmless against all claims, costs, damages, and expenses, and reasonable attorney fees arising out of, directly or indirectly, any claim of personal injury or death associated with such unintended or unauthorized use, even if such claim alleges that SCILLC was negligent regarding the design or manufacture of the part. SCILLC is an Equal Opportunity/Affirmative Action Employer. This literature is subject to all applicable copyright laws and is not for resale in any manner.

PUBLICATION ORDERING INFORMATION

LITERATURE FULFILLMENT:
Literature Distribution Center for ON Semiconductor
P.O. Box 5163, Denver, Colorado 80217 USA
Phone: 303-675-2175 or 800-344-3860 Toll Free USA/Canada
Fax: 303-675-2176 or 800-344-3867 Toll Free USA/Canada
Email: orderlit@onsemi.com

N. American Technical Support: 800-282-9855 Toll Free
USA/Canada
Europe, Middle East and Africa Technical Support:
Phone: 421 33 790 2910
Japan Customer Focus Center
Phone: 81-3-5773-3850

ON Semiconductor Website: www.onsemi.com
Order Literature: <http://www.onsemi.com/orderlit>
For additional information, please contact your local Sales Representative



Компания «ЭлектроПласт» предлагает заключение долгосрочных отношений при поставках импортных электронных компонентов на взаимовыгодных условиях!

Наши преимущества:

- Оперативные поставки широкого спектра электронных компонентов отечественного и импортного производства напрямую от производителей и с крупнейших мировых складов;
- Поставка более 17-ти миллионов наименований электронных компонентов;
- Поставка сложных, дефицитных, либо снятых с производства позиций;
- Оперативные сроки поставки под заказ (от 5 рабочих дней);
- Экспресс доставка в любую точку России;
- Техническая поддержка проекта, помощь в подборе аналогов, поставка прототипов;
- Система менеджмента качества сертифицирована по Международному стандарту ISO 9001;
- Лицензия ФСБ на осуществление работ с использованием сведений, составляющих государственную тайну;
- Поставка специализированных компонентов (Xilinx, Altera, Analog Devices, Intersil, Interpoint, Microsemi, Aeroflex, Peregrine, Syfer, Eurofarad, Texas Instrument, Miteq, Cobham, E2V, MA-COM, Hittite, Mini-Circuits, General Dynamics и др.);

Помимо этого, одним из направлений компании «ЭлектроПласт» является направление «Источники питания». Мы предлагаем Вам помощь Конструкторского отдела:

- Подбор оптимального решения, техническое обоснование при выборе компонента;
- Подбор аналогов;
- Консультации по применению компонента;
- Поставка образцов и прототипов;
- Техническая поддержка проекта;
- Защита от снятия компонента с производства.



Как с нами связаться

Телефон: 8 (812) 309 58 32 (многоканальный)

Факс: 8 (812) 320-02-42

Электронная почта: org@eplast1.ru

Адрес: 198099, г. Санкт-Петербург, ул. Калинина, дом 2, корпус 4, литера А.