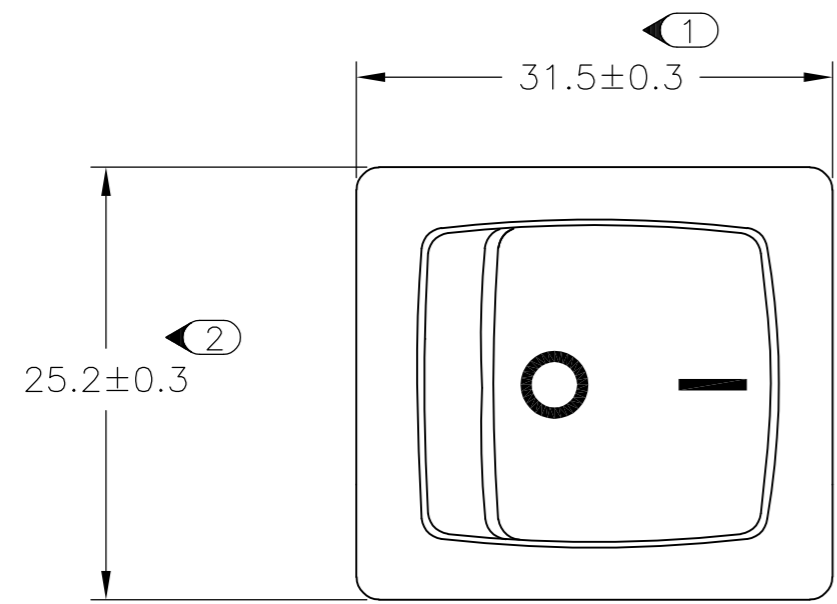
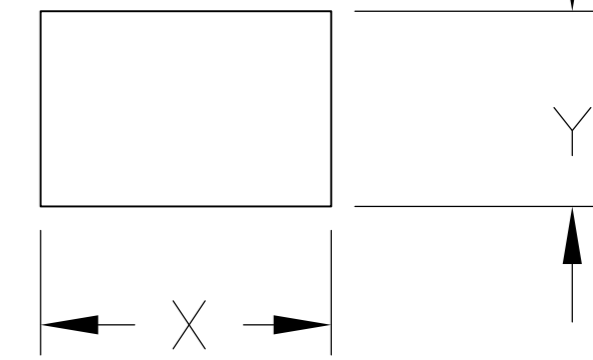


THIS DRAWING IS UNPUBLISHED. RELEASED FOR PUBLICATION 30/OCT ,2003.
 © COPYRIGHT 2003 By - ALL RIGHTS RESERVED.

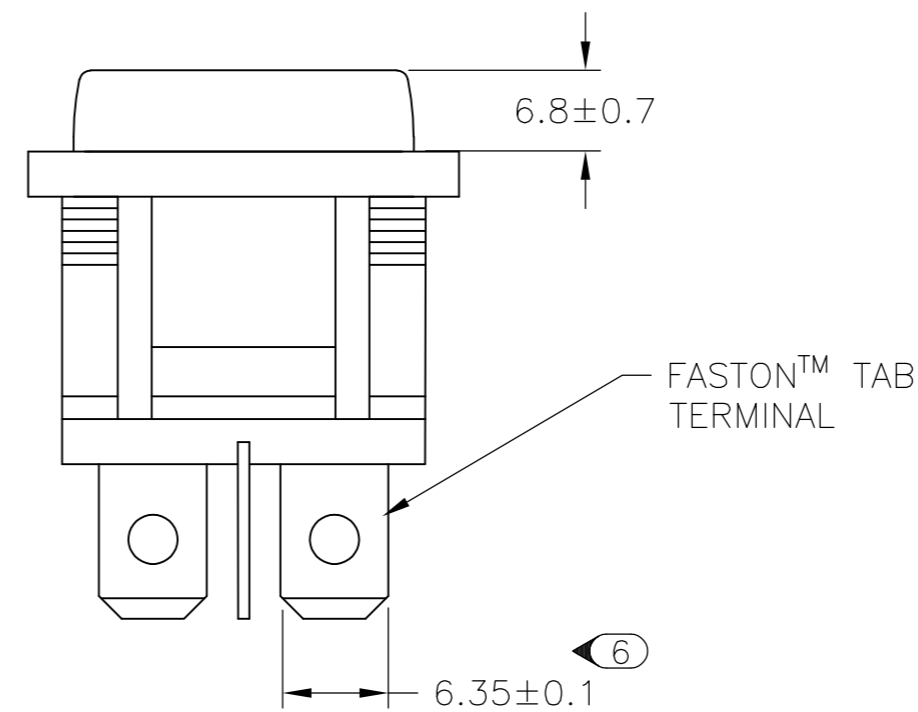
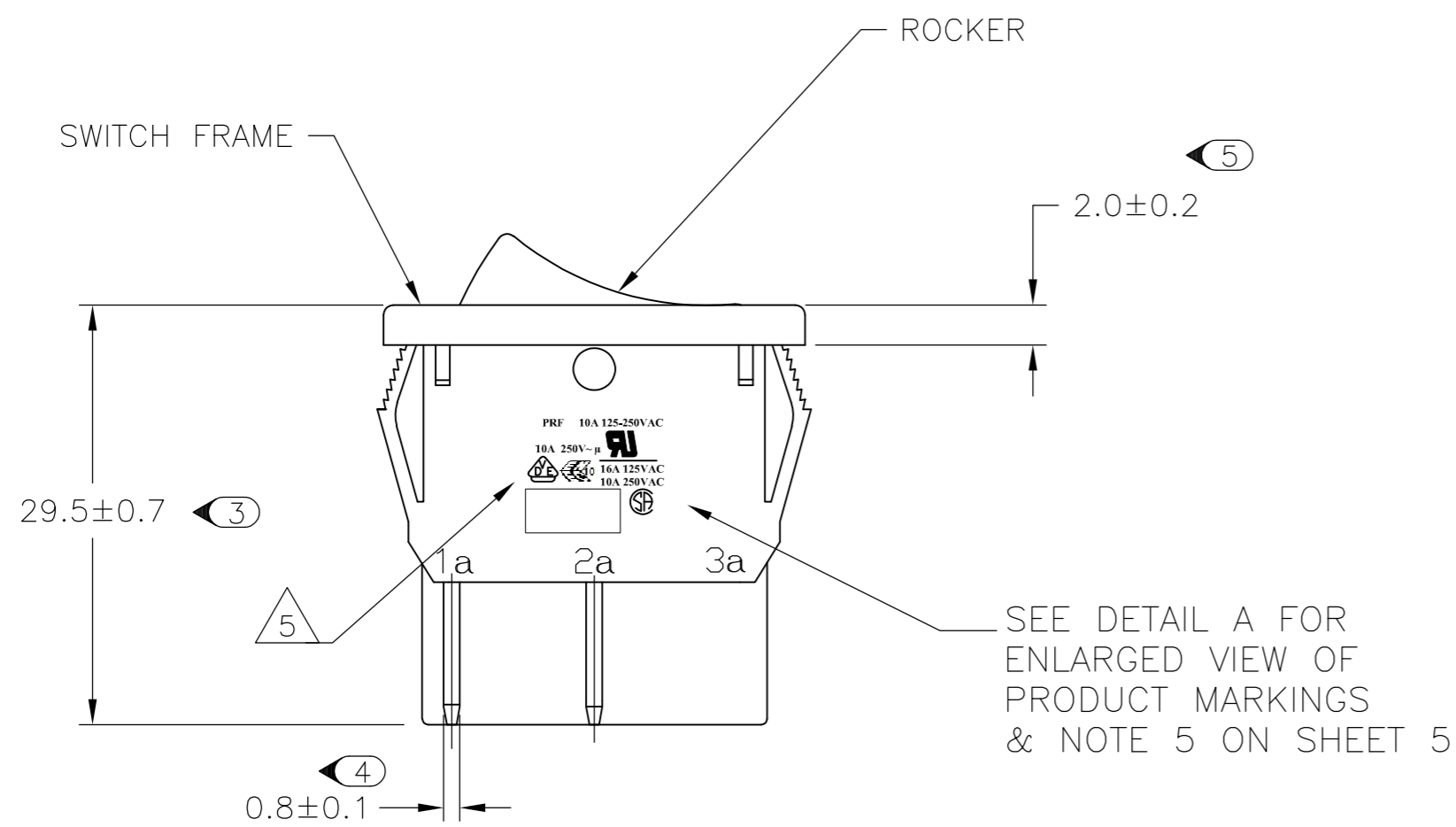
REVISIONS					
P	LTR	DESCRIPTION	DATE	DWN	APVD
D		REVISED PER ECO-10-025607	21DEC10	HMR	MW
D1		REVISED PER ECO-16-017354	10MAR2017	RK	AS



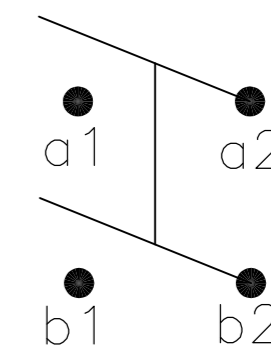
PANEL CUT OUT



2.00-3.00	30.20	22.20
1.25-2.00	30.20	22.20
0.75-1.25	30.20	22.20
PANEL THICKNESS	X	Y



CIRCUIT DIAGRAM



PRODUCT MARKING
DETAIL A

PRF 10A 125-250VAC
10A 250V~μ
16A 125VAC
10A 250VAC

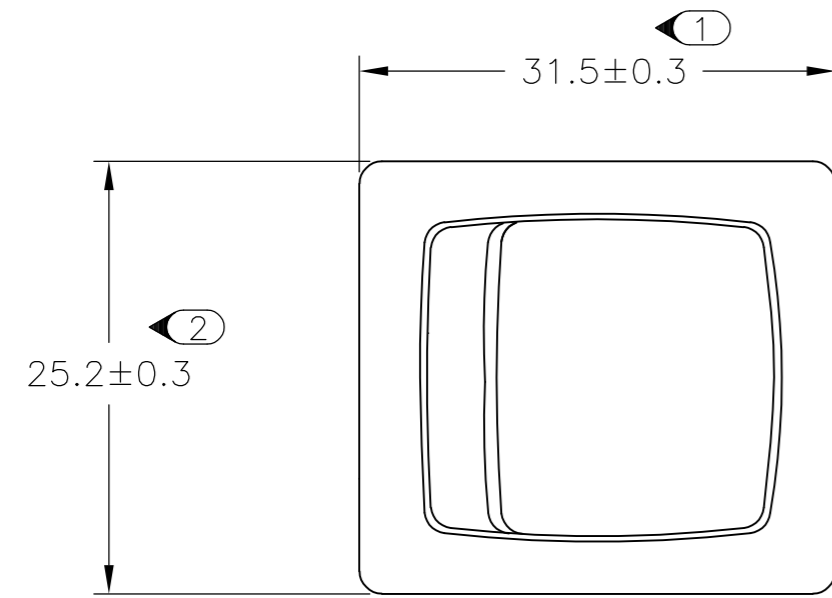
TYCO ELECTRONICS LOGO PER TEC-202-36

1634201-2 SHOWN ON-OFF

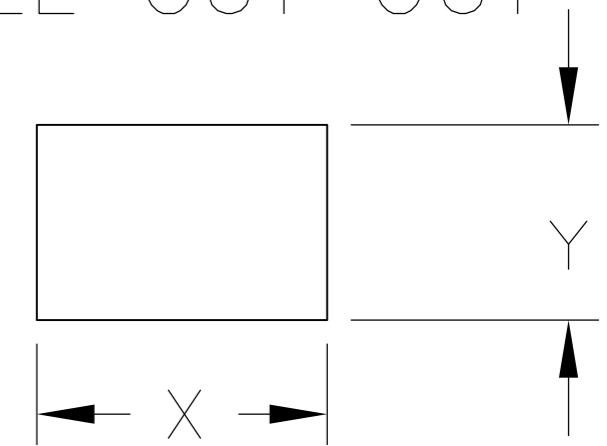
THIS DRAWING IS A CONTROLLED DOCUMENT.		DWN S.SHACKSON 28JAN2003	TE Connectivity	
DIMENSIONS: MM		CHK H.KAUTZ 28JAN2003	NAME POWER ROCKER SWITCH, 30.2mm X 22.2mm PANEL SIZE, DPST, NON-ILLUMINATED	
TOLERANCES UNLESS OTHERWISE SPECIFIED:		APVD H.KAUTZ 28JAN2003	SIZE A2	
0 PLC ± -		PRODUCT SPEC	CAGE CODE 00779	DRAWING NO C=1634201
1 PLC ± 0.5		APPLICATION SPEC	RESTRICTED TO	
2 PLC ± -		NOT APPLICABLE	-	
3 PLC ± -		NOT APPLICABLE	SCALE 3:1 SHEET 1 OF 5 REV D1	
4 PLC ± -		FINISH		
5 ANGLE ± -				
6 FINISH				
MATERIAL				

THIS DRAWING IS UNPUBLISHED. RELEASED FOR PUBLICATION 30/OCT ,2003.
 © COPYRIGHT 2003 By - ALL RIGHTS RESERVED.

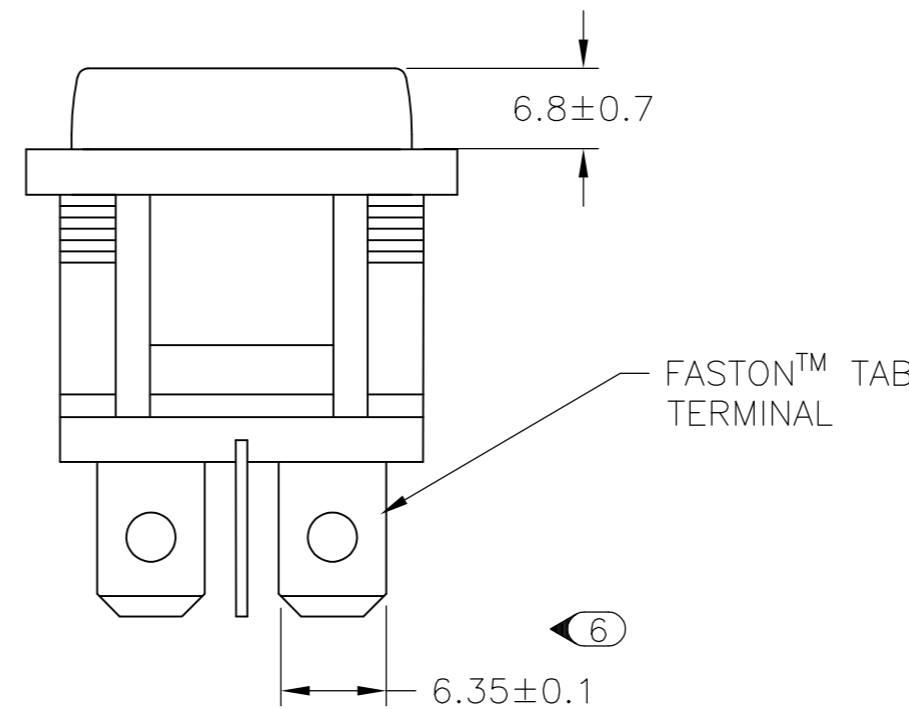
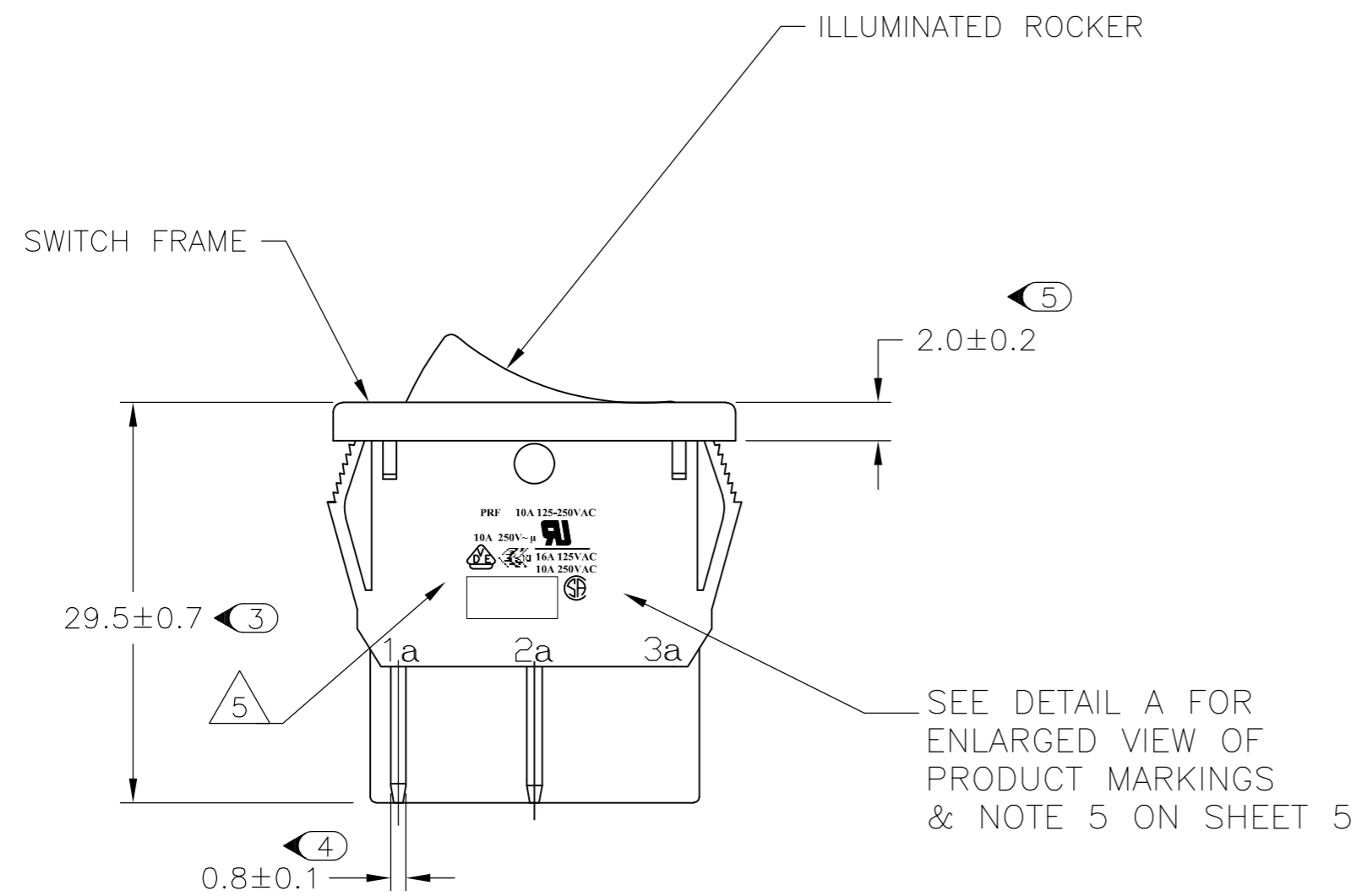
REVISIONS				
P	LTR	DESCRIPTION	DATE	APVD
-	-	SEE SHEET 1	-	-



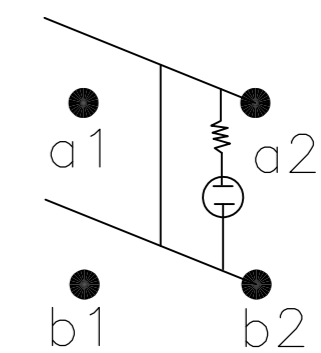
PANEL CUT OUT



2.00-3.00	30.20	22.20
1.25-2.00	30.20	22.20
0.75-1.25	30.20	22.20
PANEL THICKNESS	X	Y

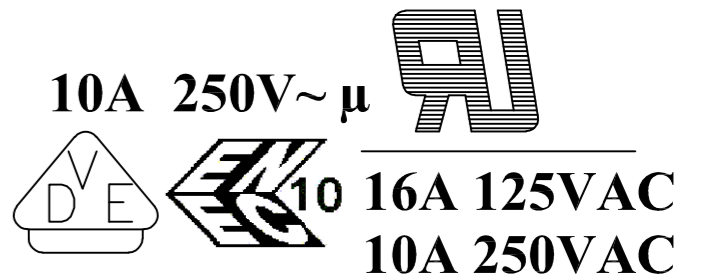


CIRCUIT DIAGRAM



PRODUCT MARKING
 DETAIL A

PRF 10A 125-250VAC



TYCO ELECTRONICS LOGO
 PER TEC-202-36

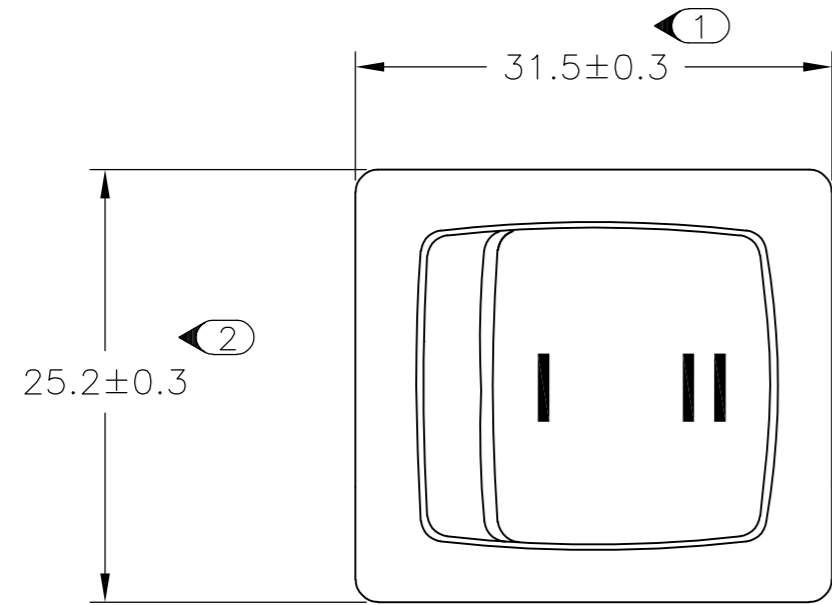


1634201-5 SHOWN ON-OFF
 GREEN ILLUMINATED

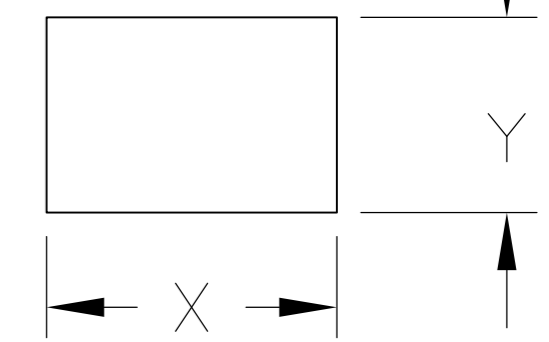
THIS DRAWING IS A CONTROLLED DOCUMENT.		DWN S.SHACKSON 28JAN2003		
DIMENSIONS: MM		CHK H.KAUTZ 28JAN2003		
TOLERANCES UNLESS OTHERWISE SPECIFIED:		APVD H.KAUTZ 28JAN2003	NAME POWER ROCKER SWITCH, 30.2mm X 22.2mm PANEL SIZE, DPST, NON-ILLUMINATED	
0 PLC ± -		PRODUCT SPEC	NOT APPLICABLE	
1 PLC ± 0.5		APPLICATION SPEC	NOT APPLICABLE	
2 PLC ± -		WEIGHT	-	
3 PLC ± -		FINISH	-	
4 PLC ± -		SCALE	3:1	
ANGLES ± -		CAGE CODE	A2 00779	
MATERIAL		DRAWING NO	C=1634201	
CUSTOMER DRAWING		RESTRICTED TO	-	
		SHEET	2 OF 5	
		REV	D1	

THIS DRAWING IS UNPUBLISHED. RELEASED FOR PUBLICATION 30/OCT ,2003.
 © COPYRIGHT 2003 By - ALL RIGHTS RESERVED.

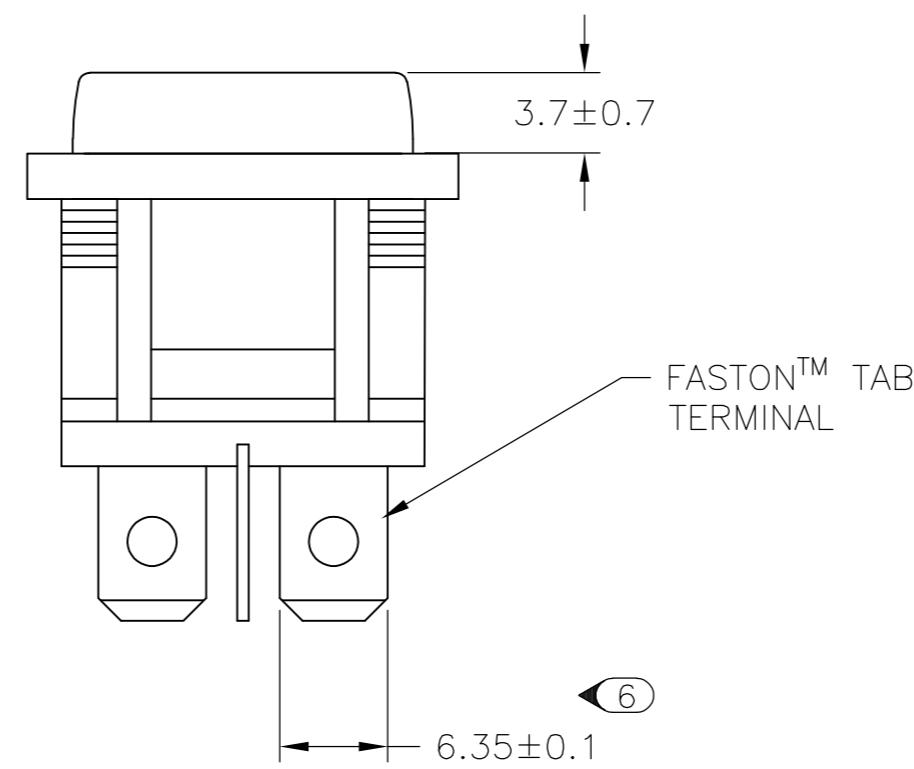
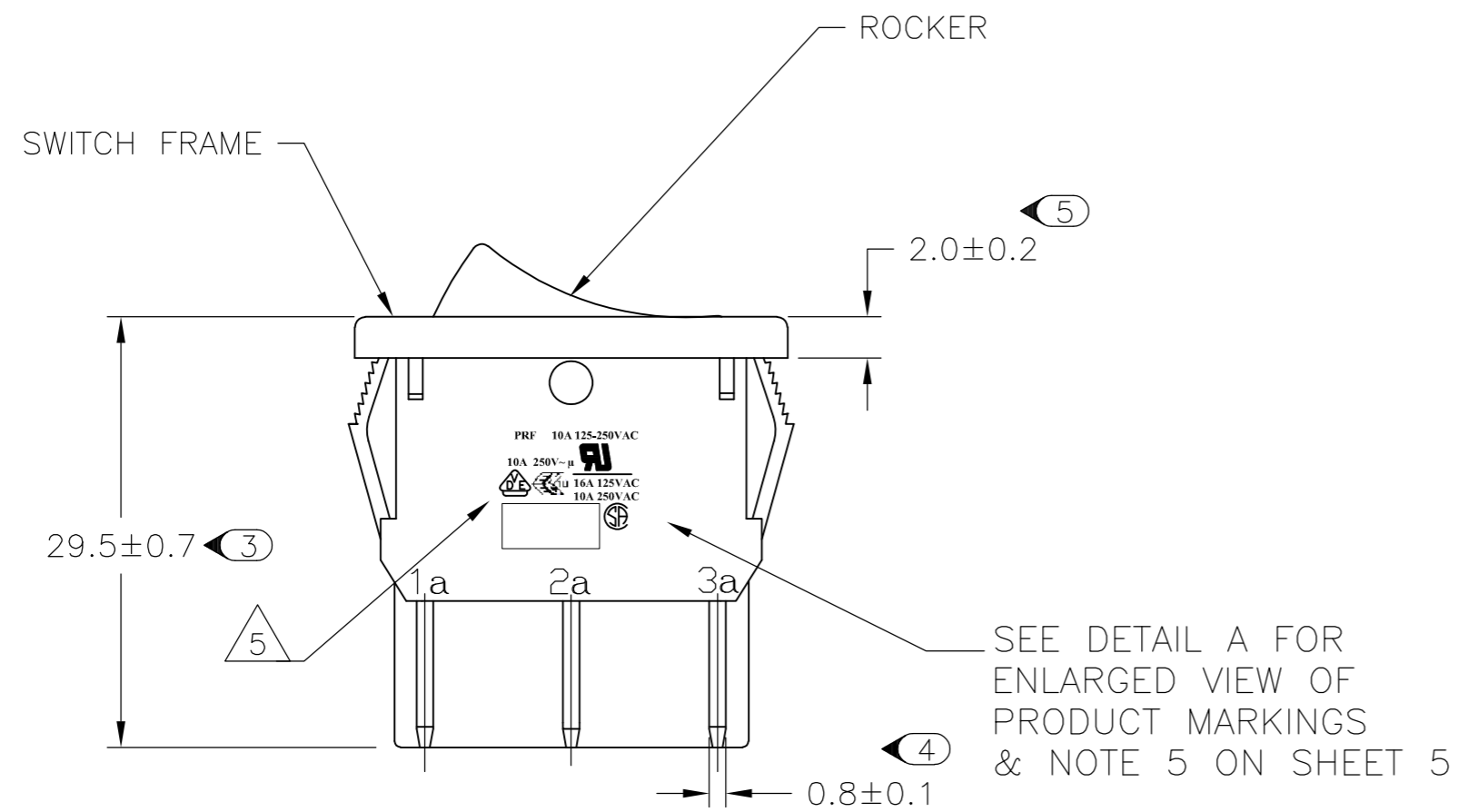
REVISIONS					
P	LTR	DESCRIPTION	DATE	DWN	APVD
-	-	SEE SHEET 1	-	-	-



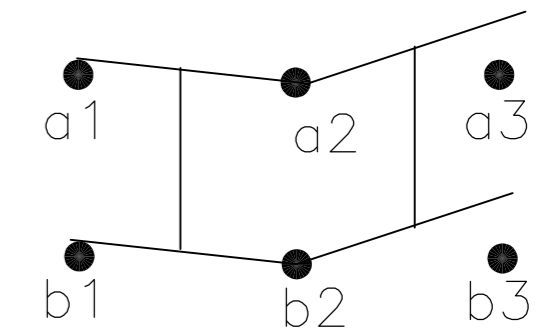
PANEL CUT OUT



2.00-3.00	30.20	22.20
1.25-2.00	30.20	22.20
0.75-1.25	30.20	22.20
PANEL THICKNESS	X	Y



CIRCUIT DIAGRAM

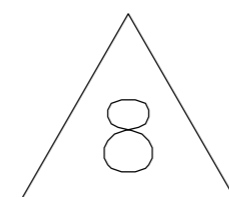


PRODUCT MARKING

DETAIL A

PRF 10A 125-250VAC
10A 250V~μ
16A 125VAC
10A 250VAC

TYCO ELECTRONICS LOGO PER TEC-202-36



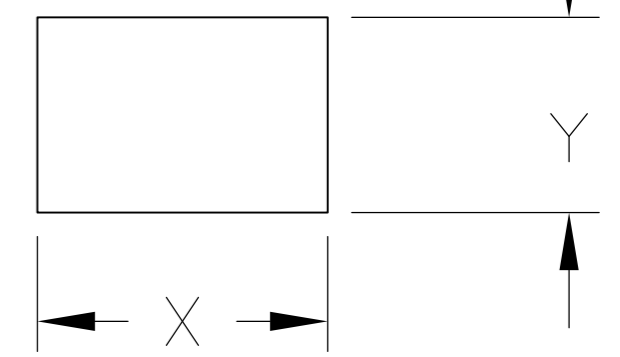
OBSOLETE
~~1634201-8~~ SHOWN ON-ON

THIS DRAWING IS A CONTROLLED DOCUMENT.		DWN S.SHACKSON 28JAN2003	TE Connectivity	
DIMENSIONS: MM		CHK H.KAUTZ 28JAN2003		
TOLERANCES UNLESS OTHERWISE SPECIFIED:		APVD H.KAUTZ 28JAN2003	NAME POWER ROCKER SWITCH, 30.2mm X 22.2mm PANEL SIZE, DPST, NON-ILLUMINATED	
0 PLC ± -		PRODUCT SPEC	RESTRICTED TO	
1 PLC ± 0.5		APPLICATION SPEC	SIZE CAGE CODE DRAWING NO	
2 PLC ±		NOT APPLICABLE	A2 00779 C=1634201	
3 PLC ± -		NOT APPLICABLE	SCALE 3:1 SHEET 3 OF 5 REV D1	
4 PLC ± -		WEIGHT -		
ANGLES ± -		CUSTOMER DRAWING		
FINISH				

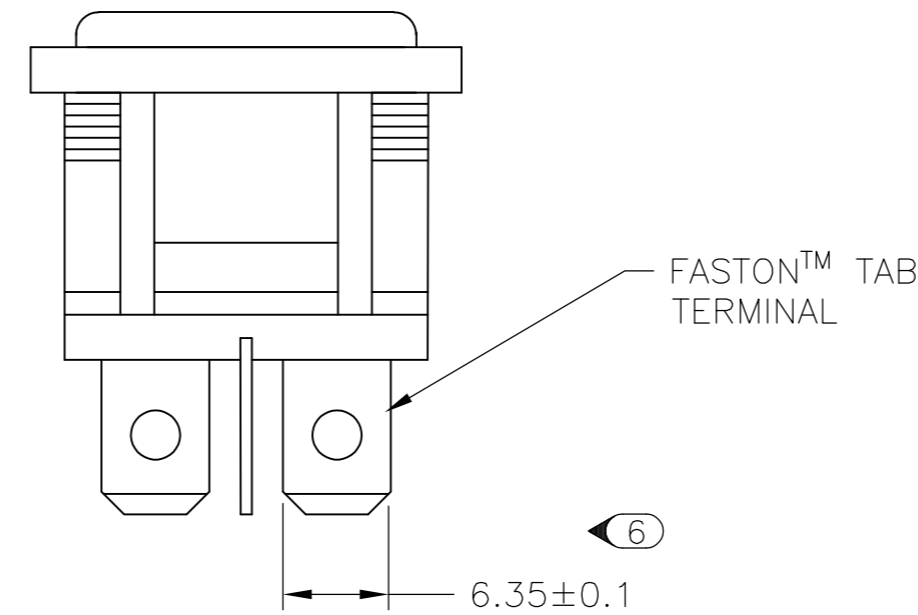
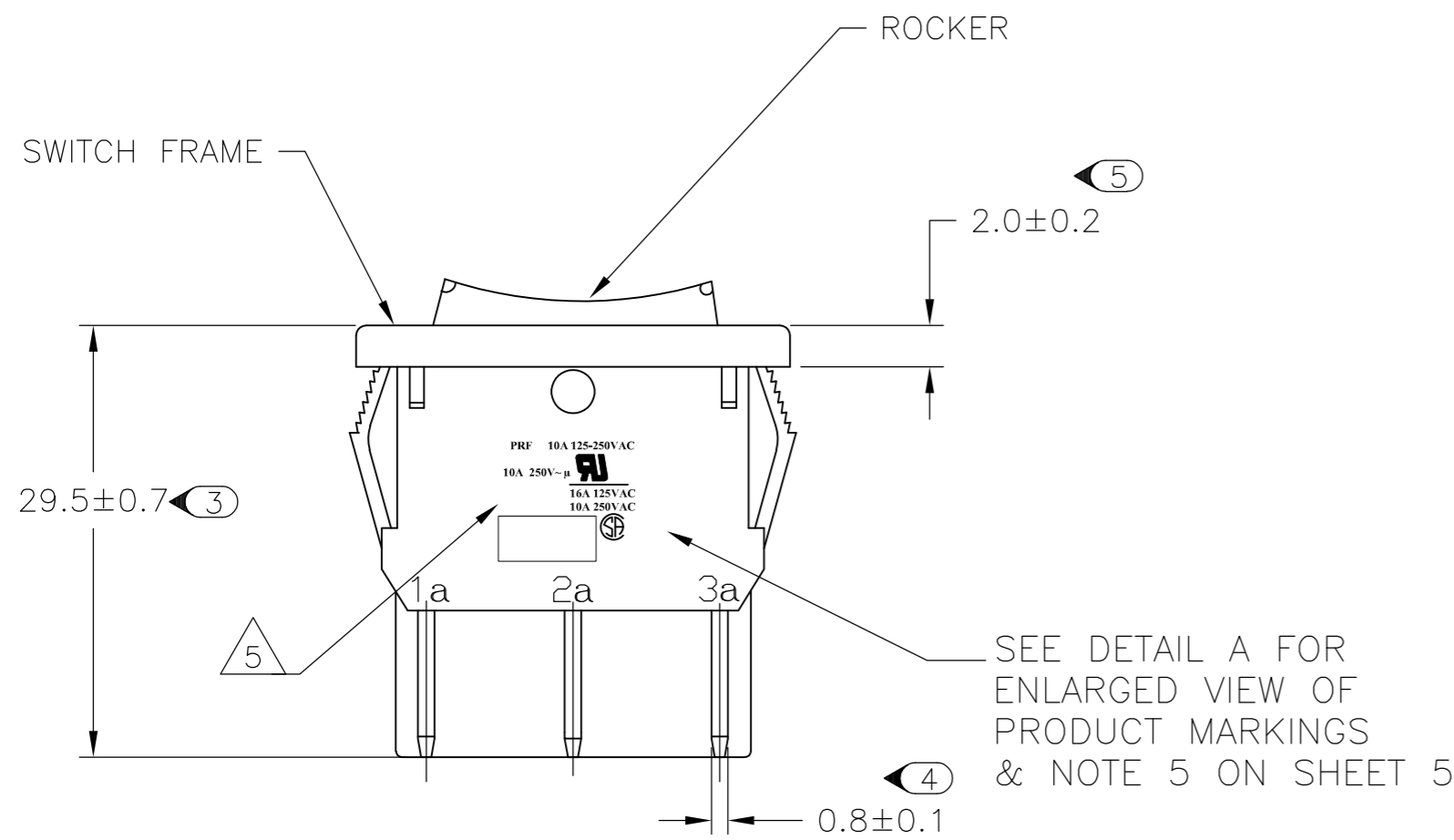
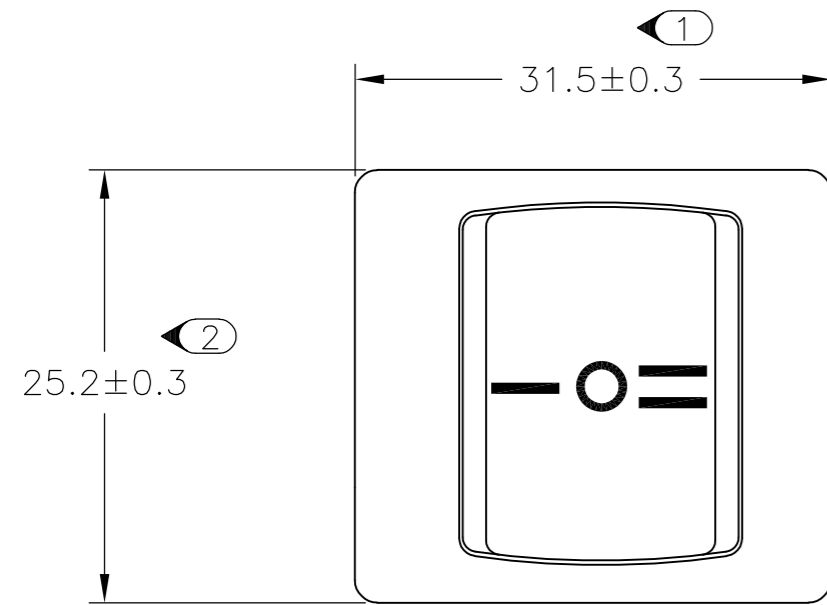
THIS DRAWING IS UNPUBLISHED. RELEASED FOR PUBLICATION 30/OCT ,2003.
 © COPYRIGHT 2003 By - ALL RIGHTS RESERVED.

REVISIONS					
P	LTR	DESCRIPTION	DATE	DWN	APVD
-	-	SEE SHEET 1	-	-	-

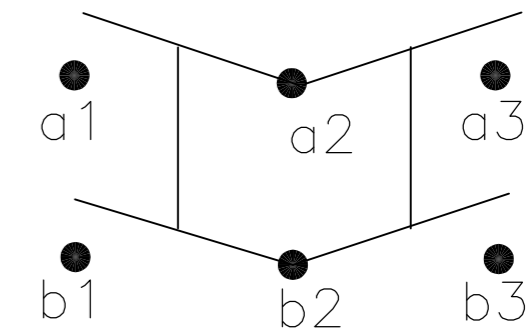
PANEL CUT OUT




2.00-3.00	30.20	22.20
1.25-2.00	30.20	22.20
0.75-1.25	30.20	22.20
PANEL THICKNESS	X	Y



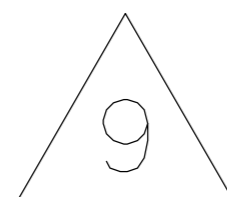
CIRCUIT DIAGRAM




PRODUCT MARKING DETAIL A

PRF 10A 125-250VAC
10A 250V~μ 
16A 125VAC
10A 250VAC

TYCO ELECTRONICS LOGO
PER TEC-202-36

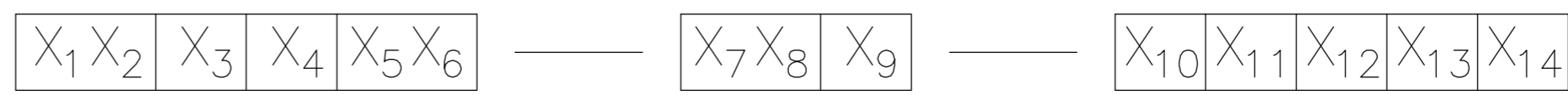


1-1634201-2 SHOWN ON-OFF-ON

THIS DRAWING IS A CONTROLLED DOCUMENT.		DWN S.SHACKSON 28JAN2003	 TE Connectivity	
DIMENSIONS: MM		CHK H.KAUTZ 28JAN2003		
TOLERANCES UNLESS OTHERWISE SPECIFIED:		APVD H.KAUTZ 28JAN2003	NAME POWER ROCKER SWITCH, 30.2mm X 22.2mm PANEL SIZE, DPST, NON-ILLUMINATED	
0 PLC ± -		PRODUCT SPEC	RESTRICTED TO	
1 PLC ± 0.5		APPLICATION SPEC	SIZE A2	
2 PLC ± -		WEIGHT	CAGE CODE 00779	
3 PLC ± -		FINISH	DRAWING NO C=1634201	
4 PLC ± -			SCALE 3:1	
ANGLES ± -			SHEET 4 OF 5	
MATERIAL			REV D1	
			CUSTOMER DRAWING	

REVISIONS				
P	LTR	DESCRIPTION	DATE	APVD
-	-	SEE SHEET 1	-	-

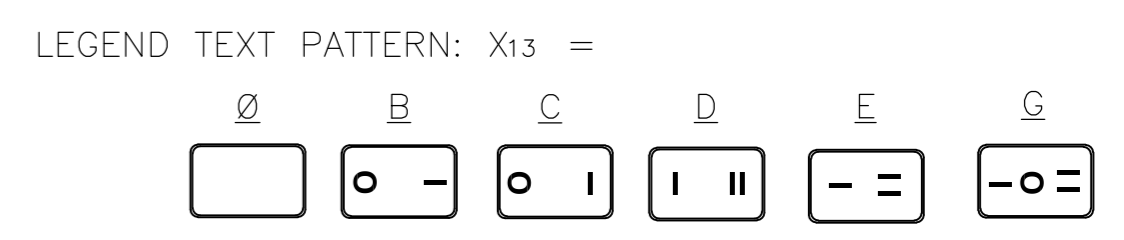
ALCOSWITCH PART NUMBER



- 1 MATERIALS:
HOUSING FRAME: NYLON 66.
ACTUATOR: NYLON 66/ PC(ILLUMINATED)
TERMINALS C1100R-1/2H WITH SILVER PLATED CONTACTS AgALLOY
- 2 FINISH:
TERMINAL, ACTIVE CONTACTOR: 1.0µm [.000039] SILVER
PLUNGER: 3.0mm[.000118] NICKEL
- 3 ELECTRICAL SPECIFICATIONS:
CONTACT RESISTANCE : 50m ohm Max
DIELECTRIC STRENGTH : AC 1500V, 1 MINUTE
OPERATION TEMPERATURE: -20°C~85°C
INSULATION R: DC 500V 100M ohm MIN
- 4 CURRENT AND VOLTAGE 16A@125VAC/10A@250VAC
- 5 ELECTRICAL RATINGS, APPROVED AGENCY LOGOS,
TE LOGO PER TEC-202-36 APPROXIMATELY AS SHOWN
AND PART NUMBER CAN APPEAR ON EITHER SIDE
(FOR FULL DETAIL SEE INDIVIDUAL DRAWING)
- 6 ON-OFF, WITH OPAQUE, SINGLE-COLOR ROCKER BUTTON.
- 7 ON-OFF, WITH TRANSPARENT, LAMP-ILLUMINATED ROCKER BUTTON.
- 8 ON-ON, WITH OPAQUE, SINGLE-COLOR ROCKER BUTTON.
- 9 ON-OFF-ON, WITH OPAQUE, SINGLE-COLOR ROCKER BUTTON.
- 10 PACKAGING TO CONFORM WITH TYCO SPEC. 107-115
- 11 REFER TO QIP DIMENSIONAL REPORT
- 12 COMPONENT RECOGNIZED TO EUROPEAN STANDARDS (ENEC, PENDING VDE).
MARKS LICENSE No. 40006757

SWITCH TYPE: X1 X2 = PR - POWER ROCKER
 NOMINAL PANEL CUT OUT SIZE: X3 = F - 30.2X22.2 [.1.189x.874]
 NUMBER OF POLES: X4 = D - DOUBLE
 SWITCH FUNCTION: X5 X6 = A1 -
 B1 -
 D1 -
 D3 -
 CURRENT RATING: X7 X8 = 16 -
 TERMINAL TYPE: X9 = F - FASTON™ TAB
 FRAME COLOR: X10 = B - BLACK
 W - WHITE
 ROCKER COLOR: X11 = B - BLACK
 G - GREEN
 R - RED
 Y - YELLOW

SECONDARY ROCKER COLOR: X12 = Ø - NOT APPLICABLE
B - BLACK
G - GREEN
R - RED
W - WHITE



LEGEND TEXT COLOR: X14 = Ø - NOT APPLICABLE
G - GREEN
R - RED
B - BLACK
W - WHITE

	1	PRFDA1-16F-BB000	0-1634201-1
	1	PRFDA1-16F-BB0BW	0-1634201-2
	1	PRFDA1-16F-BB0CW	0-1634201-3
	2	PRFDB1-16F-BR000	0-1634201-4
	2	PRFDB1-16F-BG000	0-1634201-5
	2	PRFDB1-16F-BY000	0-1634201-6
	3	PRFDD1-16F-BB000	0-1634201-7
OBSOLETE	3	PRFDD1-16F-BB0DW	0-1634201-8
	3	PRFDD1-16F-BB0EW	0-1634201-9
	4	PRFDD3-16F-BB000	1-1634201-0
OBSOLETE	4	PRFDD3-16F-BB0EW	1-1634201-1
	4	PRFDD3-16F-BB0GW	1-1634201-2
	SHEET REF	ALCO SWITCH PART NUMBER.	TE PART NUMBER.

THIS DRAWING IS A CONTROLLED DOCUMENT.		DWN S.SHACKSON 28JAN2003	TE Connectivity	
DIMENSIONS: MM		CHK H.KAUTZ 28JAN2003		
TOLERANCES UNLESS OTHERWISE SPECIFIED:		APVD H.KAUTZ 28JAN2003	NAME POWER ROCKER SWITCH, 30.2mm X 22.2mm PANEL SIZE, DPST, NON-ILLUMINATED	
0 PLC ± -		PRODUCT SPEC	NOT APPLICABLE	
1 PLC ± 0.5		APPLICATION SPEC	NOT APPLICABLE	
2 PLC ± -		SIZE	A2	CAGE CODE
3 PLC ± -		WEIGHT	-	DRAWING NO
4 PLC ± -		SCALE	3:1	SHEET
ANGLES ± -		FINISH	-	REV
MATERIAL		CUSTOMER DRAWING	00779	D1



Компания «ЭлектроПласт» предлагает заключение долгосрочных отношений при поставках импортных электронных компонентов на взаимовыгодных условиях!

Наши преимущества:

- Оперативные поставки широкого спектра электронных компонентов отечественного и импортного производства напрямую от производителей и с крупнейших мировых складов;
- Поставка более 17-ти миллионов наименований электронных компонентов;
- Поставка сложных, дефицитных, либо снятых с производства позиций;
- Оперативные сроки поставки под заказ (от 5 рабочих дней);
- Экспресс доставка в любую точку России;
- Техническая поддержка проекта, помощь в подборе аналогов, поставка прототипов;
- Система менеджмента качества сертифицирована по Международному стандарту ISO 9001;
- Лицензия ФСБ на осуществление работ с использованием сведений, составляющих государственную тайну;
- Поставка специализированных компонентов (Xilinx, Altera, Analog Devices, Intersil, Interpoint, Microsemi, Aeroflex, Peregrine, Syfer, Eurofarad, Texas Instrument, Miteq, Cobham, E2V, MA-COM, Hittite, Mini-Circuits, General Dynamics и др.);

Помимо этого, одним из направлений компании «ЭлектроПласт» является направление «Источники питания». Мы предлагаем Вам помощь Конструкторского отдела:

- Подбор оптимального решения, техническое обоснование при выборе компонента;
- Подбор аналогов;
- Консультации по применению компонента;
- Поставка образцов и прототипов;
- Техническая поддержка проекта;
- Защита от снятия компонента с производства.



Как с нами связаться

Телефон: 8 (812) 309 58 32 (многоканальный)

Факс: 8 (812) 320-02-42

Электронная почта: org@eplast1.ru

Адрес: 198099, г. Санкт-Петербург, ул. Калинина, дом 2, корпус 4, литера А.