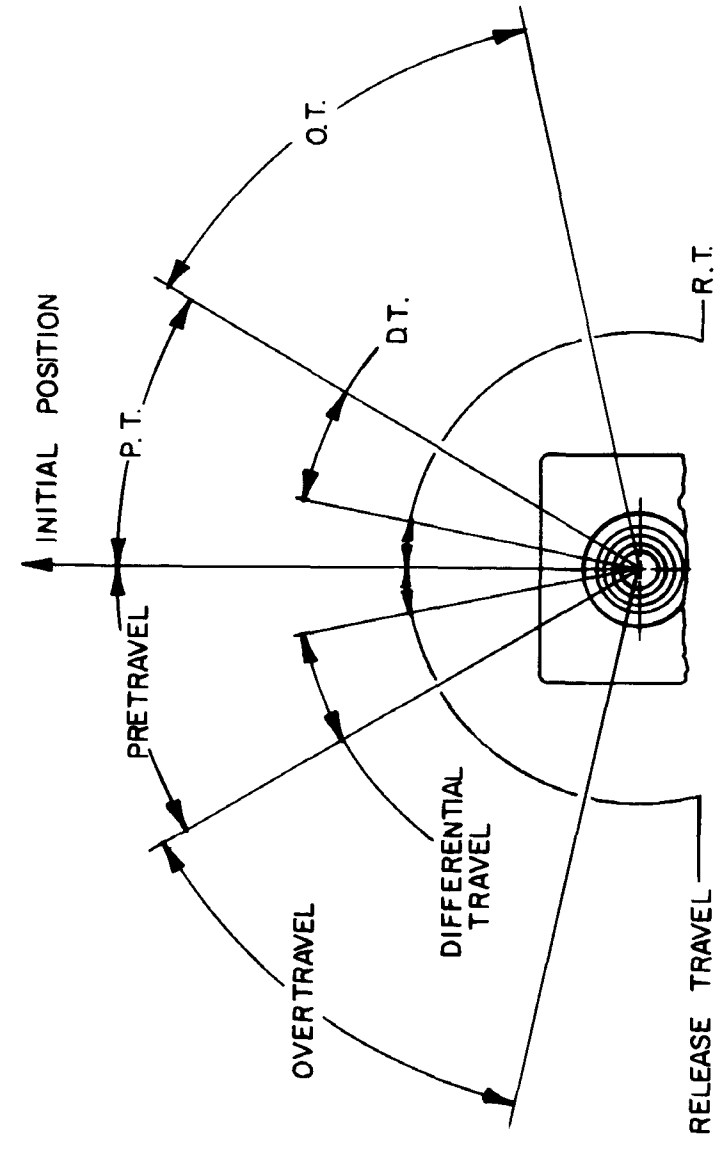
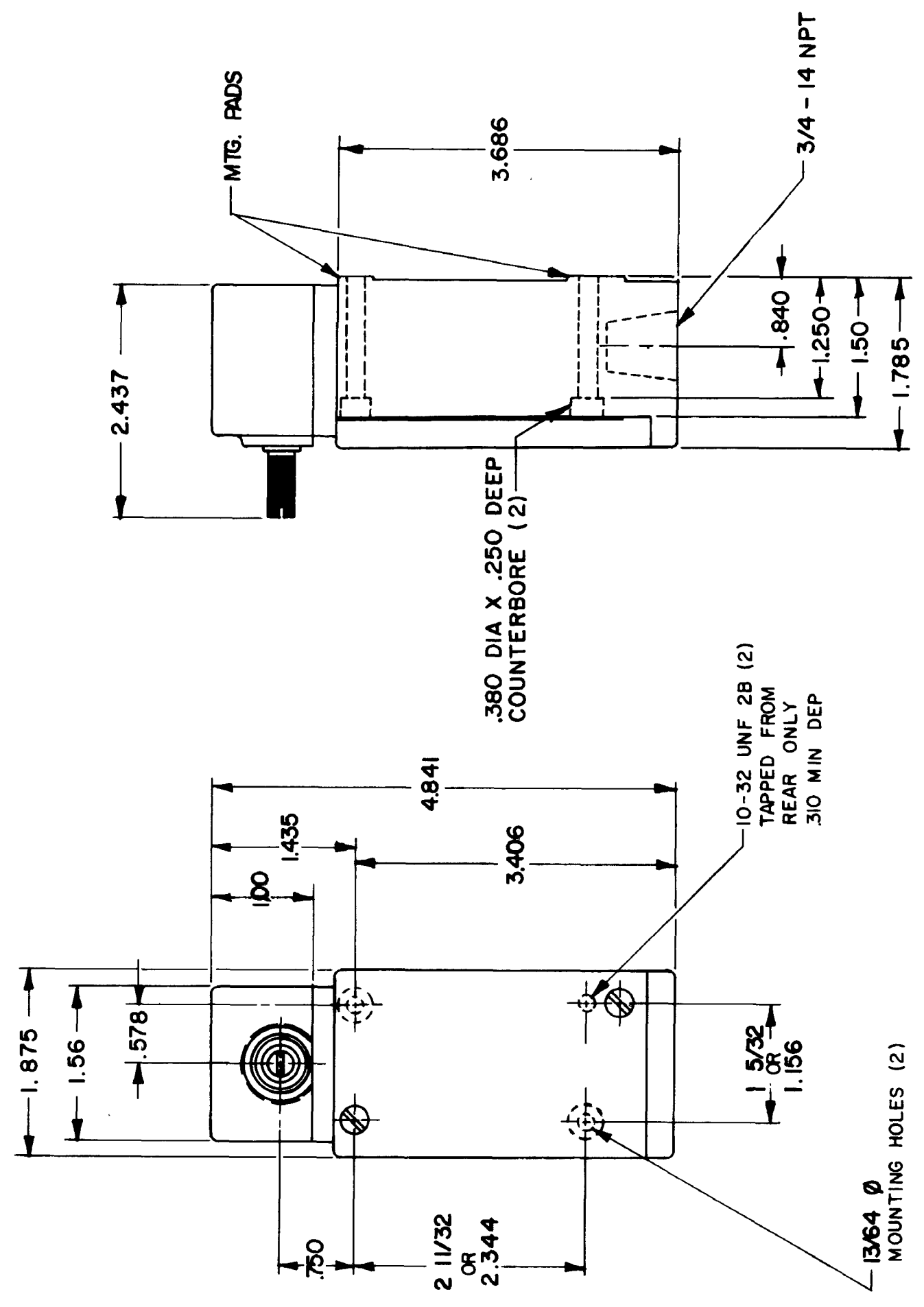


SIDE ROTARY
SINGLE POLE AND DOUBLE POLE (NON PLUG IN)



OPERATING CHARACTERISTICS	LS2A MOMENTARY	LS2M CENTER NEUTRAL DOUBLE POLE ONLY	LS2N MAINTAINED	LS2H MOMENTARY LOW PRETRAVEL & LOW TORQUE	LS2L SEQUENCE DOUBLE POLE ONLY
PRETRAVEL (MAX)	15°	18°	65°	9°	1ST STEP 15° - 2 ND STEP 10° ADD 1°
OVERTRAVEL (MIN)	60°	57°	20°	66°	48°
DIFFERENTIAL TRAVEL (MAX)	Single Pole 5° Double Pole 7°	10°	40°	Single Pole 3° Double Pole 4°	5°
TOTAL TRAVEL (REF)	75°	75°	90°	75°	75°
OPERATING TORQUE (MAX)	4 IN. LBS	4 IN. LBS	4 IN. LBS	1.7 IN. LBS	4 IN. LBS.
FULL TRAVEL TORQUE (MAX)	4 IN. LBS	4 IN. LBS	N/A	1.7 IN. LBS	4 IN. LBS.

M LS2 SERIES CHART 1

MASTER REDUCED

THIS DRAWING COVERS A PROPRIETARY ITEM AND IS THE PROPERTY OF MICRO SWITCH A DIVISION OF HONEYWELL THIS DRAWING IS NOT TO BE COPIED OR USED WITHOUT THE APPROVAL OF MICRO SWITCH

MICRO SWITCH
 FREEPORT ILLINOIS U.S.A.
 A DIVISION OF HONEYWELL
 FED. MFG. CODE 91929

CATALOG LISTING
LS2 SERIES
 CHART 1

SWITCH - ENCLOSED

THIRD ANGLE PROJECTION

 SCALE NONE
 DO NOT SCALE PRINT

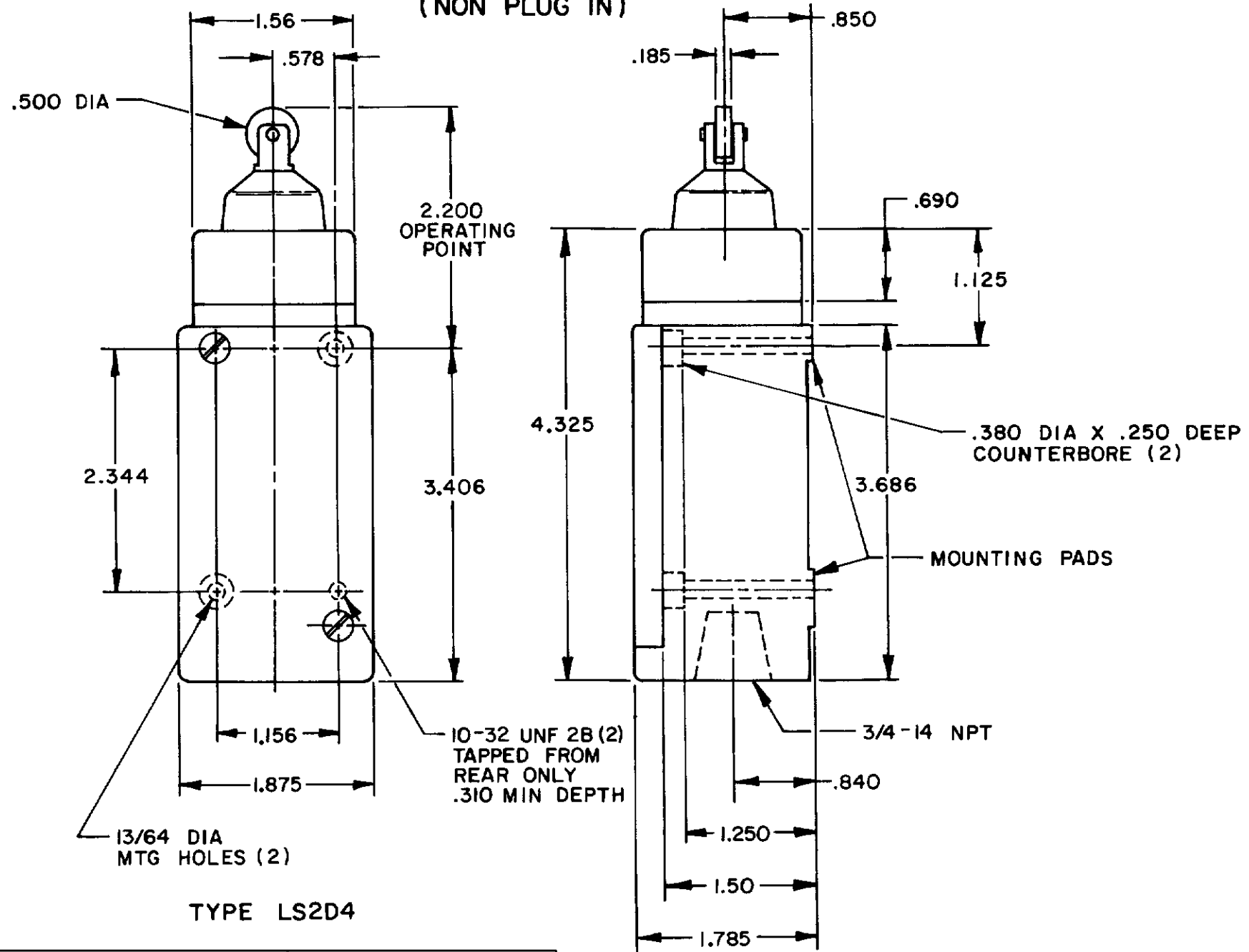
CATALOG LISTING
 LS2 SERIES
 CHART 1
 PAGE 2 OF 4
 ISSUE 7
 REVISIONS
 A CO 82000
 13 NOV 95
 B CO 83227
 6 NOV 96
 C CO93789
 29 OCT 98
 D 204630
 2 JAN 02
 E 206344
 5 SEP 02
 F 0002358
 2 DEC 03
 DRAWN
 J A K
 13 NOV 95
 CHECK
 J A F
 17 NOV 95
 CHECK
 J A F
 17 NOV 95
 RASTER

MICRO SWITCH
 a Honeywell Division
 FED. MFG. CODE 91929

SWITCH - ENCLOSED

CATALOG LISTING
LS2 SERIES
CHART 1

PLUNGER TYPE TOP
SINGLE POLE AND DOUBLE POLE
(NON PLUG IN)



NOTE
 1 OPERATING POINT GIVEN IN RELATION TO TOP MOUNTING HOLE
 2 NOT APPLICABLE FOR 3N (DIRECT ACTING BASIC)

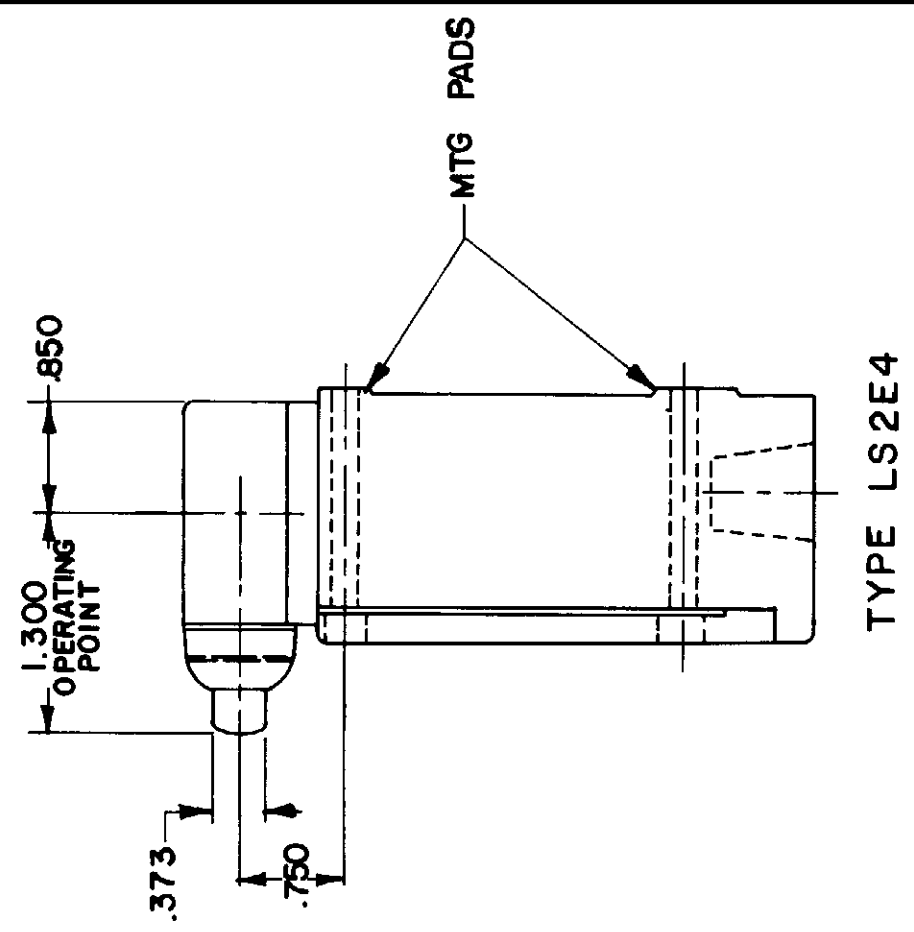
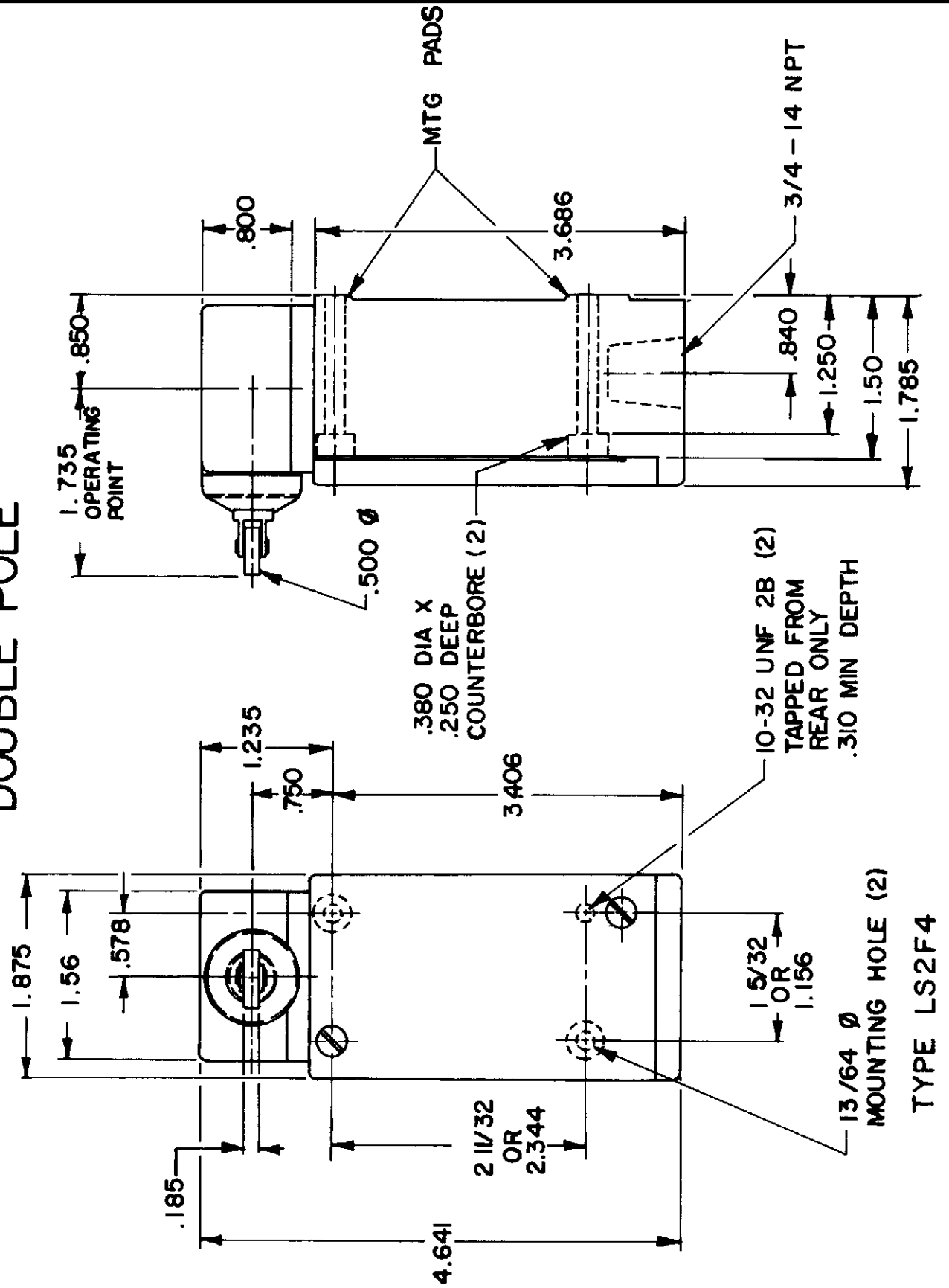
THIS DRAWING COVERS A PROPRIETARY ITEM AND IS THE PROPERTY OF MICRO SWITCH, A DIVISION OF HONEYWELL. THIS DRAWING IS NOT TO BE COPIED OR USED WITHOUT THE APPROVAL OF MICRO SWITCH		THIRD ANGLE PROJECTION
CHARACTERISTICS	ELECTRICAL DATA	SCALE NONE
OPERATING FORCE ----- 4 LBS MAX	CONTACT ARRANGEMENT	DO NOT SCALE PRINT
OPERATING POINT ----- 2.200 ± .040		UNLESS OTHERWISE SPECIFIED TOLERANCES ARE
FULL OVERTRAVEL FORCE --- 7 LBS MAX		ONE PLACE (.0) ± .030
PRETRAVEL ----- .070 MAX		TWO PLACE (.00) ± .015
DIFFERENTIAL TRAVEL ---- S.P. - .015 MAX D.P. - .020 MAX 2		THREE PLACE (.000) ± .005
OVERTRAVEL ----- .190 MIN		ANGLES ±
		WEIGHT

RASTER DRAWN KEU 14 JUL 91
 CHECK JAF 8 AUG 94
 CHECK JAF 8 AUG 94
 CATALOG LISTING
LS2 SERIES CHART 1
 PAGE 3 OF 4
 REPLACES LS2 SERIES

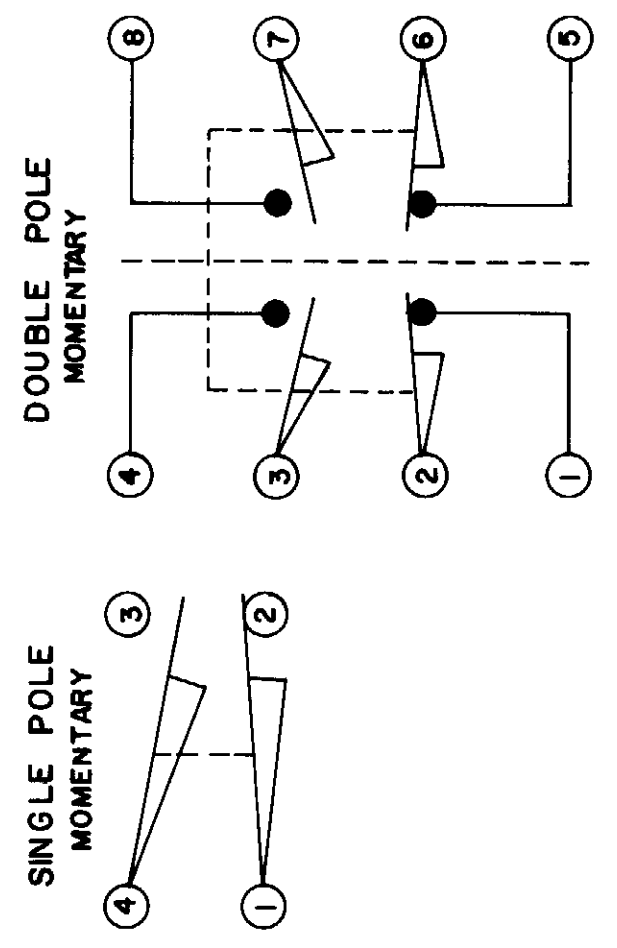
REVISIONS

A	CO93789	DLT	29 OCT 88
B	204630	CST	2 JAN 02
C	206344	MDM	5 SEP 02
D	0002358	CST	2 DEC 03

SIDE PLUNGER
 SINGLE POLE (NON PLUG IN)
 AND
 DOUBLE POLE



WIRING BASIC SWITCH
 (SAME POLARITY MUST BE OBSERVED FOR EACH POLE)



SEE SIDE VIEW FOR OPERATING POINTS

CHARACTERISTICS	
PRETRAVEL (MAX)	.100
DIFFERENTIAL TRAVEL (MAX)	.045
OVERTRAVEL (MIN)	.190
OPERATING FORCE (MAX)	6 LBS
FULL OVERTRAVEL FORCE (MAX)	6 LBS

ELECTRICAL RATINGS

10 AMP CONT.

A.C. VOLTAGE	AMPS AT .35 POWER FACTOR			
	SINGLE POLE		DOUBLE POLE	
	MAKE	BREAK	MAKE	BREAK
120	60	6	30	3
240	30	3	15	1.5
480	15	1.5	7.5	.75
600	12	1.2	6	.6

D.C. VOLTAGE	MAKE & BREAK	
	INDUCTIVE	RESISTIVE
120	0.25	0.80
240	0.15	0.40

THIS DRAWING COVERS A PROPRIETARY ITEM AND IS THE PROPERTY OF MICRO SWITCH A DIVISION OF HONEYWELL THIS DRAWING IS NOT TO BE COPIED OR USED WITHOUT THE APPROVAL OF MICRO SWITCH

MICRO SWITCH
 FREEPORT ILLINOIS U.S.A.
 A DIVISION OF HONEYWELL
 FED. MFG. CODE 91929

CATALOG LISTING
LS2 SERIES
 CHART 1

SWITCH - ENCLOSED

MASTER REDUCED

THIRD ANGLE PROJECTION
 SCALE NONE
 DO NOT SCALE PRINT

MICRO SWITCH
a Honeywell Division

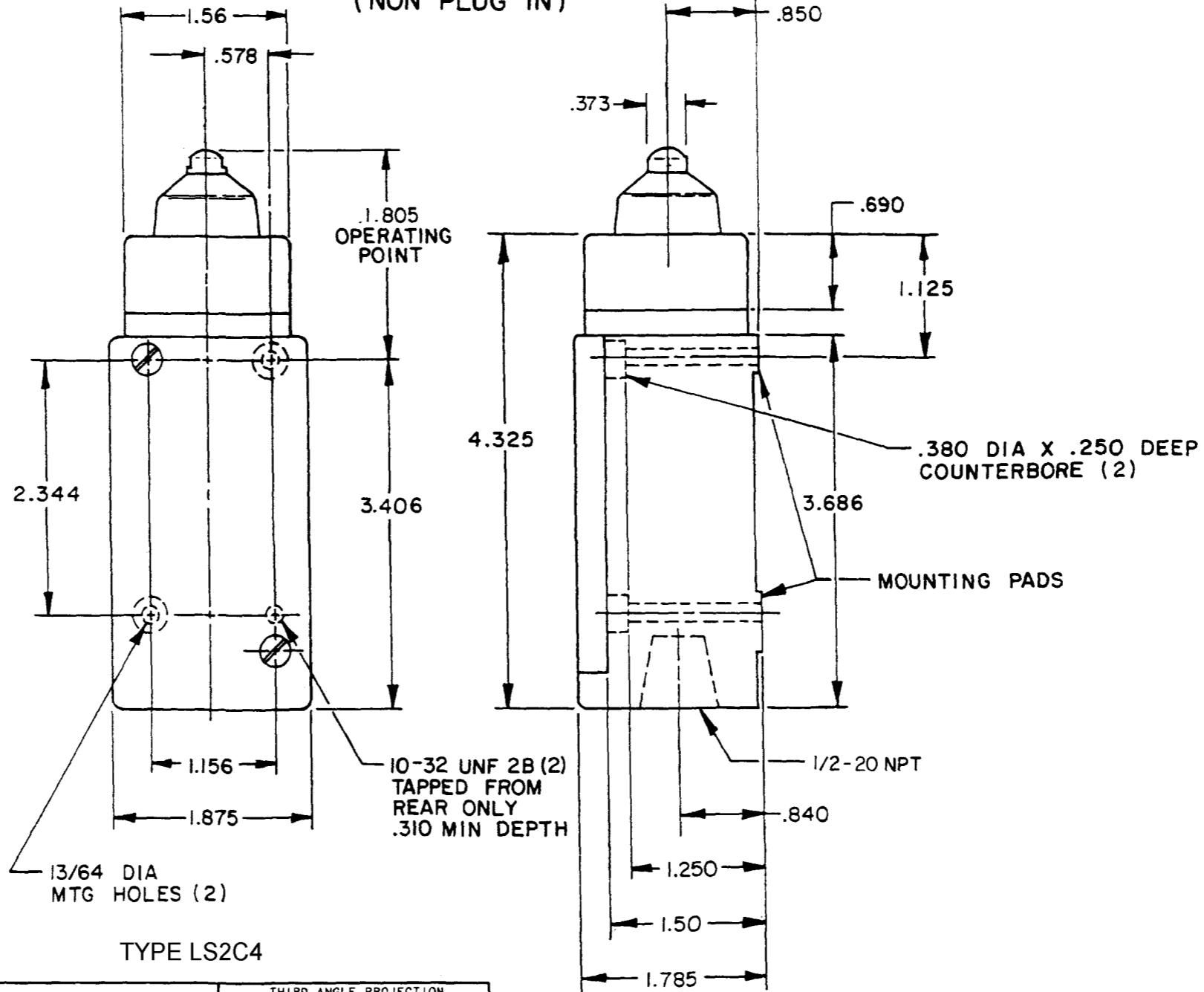
SWITCH - ENCLOSED

CATALOG LISTING
LS2 SERIES

CHART I

FED. MFG. CODE 91929

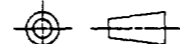
PLUNGER TYPE TOP (PLAIN)
SINGLE POLE AND DOUBLE POLE
(NON PLUG IN)



TYPE LS2C4

THIS DRAWING COVERS A PROPRIETARY ITEM AND IS THE PROPERTY OF MICRO SWITCH, A DIVISION OF HONEYWELL. THIS DRAWING IS NOT TO BE COPIED OR USED WITHOUT THE APPROVAL OF MICRO SWITCH

THIRD ANGLE PROJECTION



CHARACTERISTICS

OPERATING FORCE	----- 4 LBS MAX
DIFFERENTIAL FORCE	----- 1.805 ± .040
RELEASE FORCE	----- 7 LBS MAX
PRETRAVEL	----- .070 MAX
DIFFERENTIAL TRAVEL	----- S. P. - .015 MAX D. P. - .020 MAX
OVERTRAVEL	----- .190 MIN

ELECTRICAL DATA

CONTACT ARRANGEMENT

SCALE NONE

DO NOT SCALE PRINT

UNLESS OTHERWISE SPECIFIED TOLERANCES ARE

ONE PLACE	(.0)	±.030
TWO PLACE	(.00)	±.015
THREE PLACE	(.000)	±.005
ANGLES		±
WEIGHT		

NOTE
1 OPERATING POINT GIVEN IN RELATION TO TOP MOUNTING HOLE

CATALOG LISTING
LS2 SERIES
CHART I

ISSUE
7

PAGE 4 OF 4

REPLACES
PR-20972

CHECK

REVISIONS

A CO-82000
JAK
13 NOV 95

B CO93789
DLT
29 OCT 98

C 204630
CSL
2 JAN 02

D 206344
MDM
5 SEP 02

E 0002358
CSL
2 DEC 03

CHECK

13 JUN 94

CHECK KEU

13 JUN 94

CHECK KEU

13 JUN 94

CHECK KEU

13 JUN 94

RASTER
DRAWN



Компания «ЭлектроПласт» предлагает заключение долгосрочных отношений при поставках импортных электронных компонентов на взаимовыгодных условиях!

Наши преимущества:

- Оперативные поставки широкого спектра электронных компонентов отечественного и импортного производства напрямую от производителей и с крупнейших мировых складов;
- Поставка более 17-ти миллионов наименований электронных компонентов;
- Поставка сложных, дефицитных, либо снятых с производства позиций;
- Оперативные сроки поставки под заказ (от 5 рабочих дней);
- Экспресс доставка в любую точку России;
- Техническая поддержка проекта, помощь в подборе аналогов, поставка прототипов;
- Система менеджмента качества сертифицирована по Международному стандарту ISO 9001;
- Лицензия ФСБ на осуществление работ с использованием сведений, составляющих государственную тайну;
- Поставка специализированных компонентов (Xilinx, Altera, Analog Devices, Intersil, Interpoint, Microsemi, Aeroflex, Peregrine, Syfer, Eurofarad, Texas Instrument, Miteq, Cobham, E2V, MA-COM, Hittite, Mini-Circuits, General Dynamics и др.);

Помимо этого, одним из направлений компании «ЭлектроПласт» является направление «Источники питания». Мы предлагаем Вам помощь Конструкторского отдела:

- Подбор оптимального решения, техническое обоснование при выборе компонента;
- Подбор аналогов;
- Консультации по применению компонента;
- Поставка образцов и прототипов;
- Техническая поддержка проекта;
- Защита от снятия компонента с производства.



Как с нами связаться

Телефон: 8 (812) 309 58 32 (многоканальный)

Факс: 8 (812) 320-02-42

Электронная почта: org@eplast1.ru

Адрес: 198099, г. Санкт-Петербург, ул. Калинина, дом 2, корпус 4, литера А.