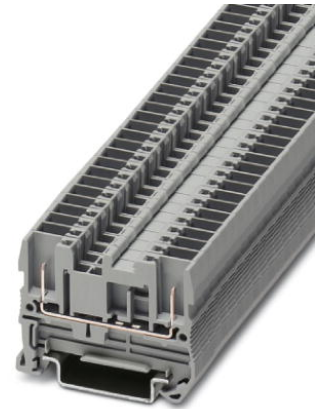



ST 2,5/2P

Order No.: 3042133

<http://eshop.phoenixcontact.de/phoenix/treeViewClick.do?UID=3042133>

Feed-through modular terminal block, Type of connection: Plug connection, Cross section: 0.08 mm² - 4 mm², AWG 28 - 12, Width: 5.2 mm, Color: gray, Mounting type: NS 35/7.5, NS 35/15

Commercial data

GTIN (EAN)	
sales group	A670
Pack	50 pcs.
Customs tariff	85369010
Catalog page information	Page 252 (CL-2009)

Product notes

WEEE/RoHS-compliant since:
01/01/2003



<http://www.download.phoenixcontact.com>
Please note that the data given here has been taken from the online catalog. For comprehensive information and data, please refer to the user documentation. The General Terms and Conditions of Use apply to Internet downloads.

Technical data**General**

Number of levels	1
Number of connections	2
Color	gray
Insulating material	PA

Inflammability class acc. to UL 94	V0
Dimensions	
Width	5.2 mm
Length	49.1 mm
Height NS 35/7.5	36.5 mm
Height NS 35/15	44 mm
Technical data	
Rated surge voltage	6 kV
Pollution degree	3
Surge voltage category	III
Insulating material group	I
Connection in acc. with standard	IEC 61984
Nominal current I_N	24 A
Nominal voltage U_N	500 V
Connection data	
Conductor cross section solid min.	0.08 mm ²
Conductor cross section solid max.	4 mm ²
Conductor cross section stranded min.	0.08 mm ²
Conductor cross section stranded max.	2.5 mm ²
Conductor cross section AWG/kcmil min.	28
Conductor cross section AWG/kcmil max	12
Conductor cross section stranded, with ferrule without plastic sleeve min.	0.14 mm ²
Conductor cross section stranded, with ferrule without plastic sleeve max.	2.5 mm ²
Conductor cross section stranded, with ferrule with plastic sleeve min.	0.14 mm ²
Conductor cross section stranded, with ferrule with plastic sleeve max.	2.5 mm ²
2 conductors with same cross section, stranded, TWIN ferrules with plastic sleeve, max.	0.5 mm ²
Type of connection	Plug connection
Stripping length	10 mm
Internal cylindrical gage	A3

Certificates / Approvals

Certification

BV, CB, CSA, CUL, DNV, GL, GOST, LR, UL, VDE-PZI

Accessories

Item	Designation	Description
Assembly		
3030721	ATP-ST 4	Partition plate, Length: 61 mm, Width: 2 mm, Height: 42 mm, Color: gray
3030417	D-ST 2,5	End cover, Length: 48.6 mm, Width: 2.2 mm, Height: 29.1 mm, Color: gray

Bridges

3030161	FBS 2-5	Plug-in bridge, Number of positions: 2, Color: red
3036877	FBS 2-5 BU	Plug-in bridge, Number of positions: 2, Color: blue
3038969	FBS 2-5 GY	Plug-in bridge, Number of positions: 2, Color: gray
3030174	FBS 3-5	Plug-in bridge, Number of positions: 3, Color: red
3036880	FBS 3-5 BU	Plug-in bridge, Number of positions: 3, Color: blue
3038972	FBS 3-5 GY	Plug-in bridge, Number of positions: 3, Color: gray
3030187	FBS 4-5	Plug-in bridge, Number of positions: 4, Color: red
3036893	FBS 4-5 BU	Plug-in bridge, Number of positions: 4, Color: blue
3038985	FBS 4-5 GY	Plug-in bridge, Number of positions: 4, Color: gray
3030190	FBS 5-5	Plug-in bridge, Number of positions: 5, Color: red
3036903	FBS 5-5 BU	Plug-in bridge, Number of positions: 5, Color: blue
3038998	FBS 5-5 GY	Plug-in bridge, Number of positions: 5, Color: gray
3030213	FBS 10-5	Plug-in bridge, Number of positions: 10, Color: red
3036916	FBS 10-5 BU	Plug-in bridge, Number of positions: 10, Color: blue
3039007	FBS 10-5 GY	Plug-in bridge, Number of positions: 10, Color: gray
3030226	FBS 20-5	Plug-in bridge, Number of positions: 20, Color: red
3036929	FBS 20-5 BU	Plug-in bridge, Number of positions: 20, Color: blue
3038671	FBS 20-5 GY	Plug-in bridge, Number of positions: 20, Color: gray
3038930	FBS 50-5	Plug-in bridge, Number of positions: 50, Color: red

3032114	FBS 50-5 BU	Plug-in bridge, Number of positions: 50, Color: blue
3032127	FBS 50-5 GY	Plug-in bridge, Number of positions: 50, Color: gray
Marking		
3040588	PC	Keying star, Length: 3 mm, Width: 3 mm, Height: 6 mm, Color: red
0800190	ZB 5 /VT-100:UNBEDRUCKT	Zack strip, unprinted: 10-section, for individual labeling with M-PEN, ZB-T or CMS system, large batch, sufficient for labeling 1000 terminal blocks, color: violet
1050004	ZB 5 :UNBEDRUCKT	Zack strip, unprinted, 10-section, for individual labeling with M-PEN, ZB-T or CMS system, pack is sufficient for 100 terminal blocks, for a terminal width of 5.2 mm, color: White
1050127	ZB 5,LGS:1-9	Zack strip, printed horizontally: 9-section, with the numbers 1 - 9, color: white
1050017	ZB 5,LGS:FORTL.ZAHLEN	Zack marker strip, 10-section, printed horizontally: with the numbers 1 - 10, 11 - 20 and so on up to 491 - 500, color: white
1050033	ZB 5,LGS:GLEICHE ZAHLEN	Zack marker strip, printed horizontally: 10-section, with identical numbers 1/1/1, 2/2/2, and so on up to 100, color: white
1050415	ZB 5,LGS:L1-N,PE	Zack strip, printed horizontally, strips with 10 labels, L1, L2, L3, N, PE, L1, L2, L3, N, PE, color: white
1050020	ZB 5,QR:FORTL.ZAHLEN	Zack marker strip, 10-section, printed vertically: with consecutive numbers 1 - 10, 11 - 20, and so on up to 491 - 500, color: white
5061536	ZB 5/BU-100:UNBEDRUCKT	Zack strip, unprinted: 10-section, for individual labeling with M-PEN, ZB-T or CMS system, large batch, sufficient for labeling 1000 terminal blocks, color: blue
5061497	ZB 5/GN-100:UNBEDRUCKT	Zack strip, unprinted: 10-section, for individual labeling with M-PEN, ZB-T or CMS system, large batch, sufficient for labeling 1000 terminal blocks, color: green
1050211	ZB 5/OG,LGS: 10-100	Zack strip, printed horizontally: 10-section, with the numbers 10/20/30-100, (for decade labeling), color: orange
5061471	ZB 5/RD-100:UNBEDRUCKT	Zack strip, unprinted: 10-section, for individual labeling with M-PEN, ZB-T or CMS system, large batch, sufficient for labeling 1000 terminal blocks, color: red
5060906	ZB 5/WH-100:UNBEDRUCKT	Zack strip, unprinted: 10-section, for individual labeling with M-PEN, ZB-T or CMS system, large batch, sufficient for labeling 1000 terminal blocks, for a terminal width of 5.2 mm, color: White
5061510	ZB 5/YE-100:UNBEDRUCKT	Zack strip, unprinted: 10-section, for individual labeling with M-PEN, ZB-T or CMS system, large batch, sufficient for labeling 1000 terminal blocks, color: yellow
1050295	ZB 5:SO/CMS	Zack strip, 10-section, divisible, special printing, marking according to customer requirements
0807180	ZBFM 5/OG:UNBEDRUCKT	Zack marker sheet, flat, unprinted: 120-section, 10 strips à 12 markers, sufficient for 120 terminal blocks, for all terminal blocks, pitch 5.2 mm, labeling with M-PEN or CMS system, color: orange

0803595	ZBFM 5/WH:UNBEDRUCKT	Zack marker sheet, flat, unprinted: 120-section, 10 strips à 12 markers, sufficient for 120 terminal blocks, for all terminal blocks, pitch 5.2 mm, labeling with M-PEN or CMS system, color: white
0803647	ZBFM 5:SO/CMS	Special printing, Zack marker sheet, flat, 120-section, divisible, marking according to customer requirements

Plug/Adapter

3030925	PAI-4	Test adapter, Color: gray
3030983	PS-5	Test adapter, Color: red
0201647	RPS	Reducing plug, Color: gray

Tools

1204517	SZF 1-0,6X3,5	Actuation tool, for ST terminal blocks, also suitable for use as a bladed screwdriver, size: 0.6 x 3.5 x 100 mm, 2-component grip, with non-slip grip
---------	---------------	---

Additional products

Item	Designation	Description
Plug/Adapter		
3209866	PP-H 2,5/ 1	Connectors, Type of connection: Pluggable leg spring connection, Push-in connection, Number of positions: 1, Cross section: 0.14 mm ² - 4 mm ² , AWG 26 - 12, Width: 5.2 mm, Height: 39 mm, Color: gray
3209879	PP-H 2,5/ 2	Connectors, Type of connection: Leg spring connection, Number of positions: 2, Cross section: 0.14 mm ² - 4 mm ² , AWG 26 - 12, Width: 10.4 mm, Height: 39 mm, Color: gray
3209882	PP-H 2,5/ 3	Connectors, Type of connection: Leg spring connection, Number of positions: 3, Cross section: 0.14 mm ² - 4 mm ² , AWG 26 - 12, Width: 15.6 mm, Height: 39 mm, Color: gray
3209895	PP-H 2,5/ 4	Connectors, Type of connection: Leg spring connection, Number of positions: 4, Cross section: 0.14 mm ² - 4 mm ² , AWG 26 - 12, Width: 20.8 mm, Height: 39 mm, Color: gray
3209905	PP-H 2,5/ 5	Connectors, Type of connection: Leg spring connection, Number of positions: 5, Cross section: 0.14 mm ² - 4 mm ² , AWG 26 - 12, Width: 26 mm, Height: 39 mm, Color: gray
3209918	PP-H 2,5/ 6	Connectors, Type of connection: Leg spring connection, Number of positions: 6, Cross section: 0.14 mm ² - 4 mm ² , AWG 26 - 12, Width: 31.2 mm, Height: 39 mm, Color: gray
3209921	PP-H 2,5/ 7	Connectors, Type of connection: Leg spring connection, Number of positions: 7, Cross section: 0.14 mm ² - 4 mm ² , AWG 26 - 12, Width: 36.4 mm, Height: 39 mm, Color: gray
3209934	PP-H 2,5/ 8	Connectors, Type of connection: Leg spring connection, Number of positions: 8, Cross section: 0.14 mm ² - 4 mm ² , AWG 26 - 12, Width: 41.6 mm, Height: 39 mm, Color: gray

3209947	PP-H 2,5/ 9	Connectors, Type of connection: Leg spring connection, Number of positions: 9, Cross section: 0.14 mm ² - 4 mm ² , AWG 26 - 12, Width: 46.8 mm, Height: 39 mm, Color: gray
3210062	PP-H 2,5/1-L	Connectors, Type of connection: Leg spring connection, Number of positions: 1, Cross section: 0.14 mm ² - 4 mm ² , AWG 26 - 12, Width: 5.2 mm, Height: 39 mm, Color: gray
3210091	PP-H 2,5/1-M	Connectors, Type of connection: Leg spring connection, Number of positions: 1, Cross section: 0.14 mm ² - 4 mm ² , AWG 26 - 12, Width: 5.2 mm, Height: 39 mm, Color: gray
3210127	PP-H 2,5/1-R	Connectors, Type of connection: Leg spring connection, Number of positions: 1, Cross section: 0.14 mm ² - 4 mm ² , AWG 26 - 12, Width: 5.2 mm, Height: 39 mm, Color: gray
3209950	PP-H 2,5/10	Connectors, Type of connection: Leg spring connection, Number of positions: 10, Cross section: 0.14 mm ² - 4 mm ² , AWG 26 - 12, Width: 52 mm, Height: 39 mm, Color: gray
3209963	PP-H 2,5/11	Connectors, Type of connection: Leg spring connection, Number of positions: 11, Cross section: 0.14 mm ² - 4 mm ² , AWG 26 - 12, Width: 57.2 mm, Height: 39 mm, Color: gray
3209976	PP-H 2,5/12	Connectors, Type of connection: Leg spring connection, Number of positions: 12, Cross section: 0.14 mm ² - 4 mm ² , AWG 26 - 12, Width: 62.4 mm, Height: 39 mm, Color: gray
3209989	PP-H 2,5/13	Connectors, Type of connection: Leg spring connection, Number of positions: 13, Cross section: 0.14 mm ² - 4 mm ² , AWG 26 - 12, Width: 67.6 mm, Height: 39 mm, Color: gray
3209992	PP-H 2,5/14	Connectors, Type of connection: Leg spring connection, Number of positions: 14, Cross section: 0.14 mm ² - 4 mm ² , AWG 26 - 12, Width: 72.8 mm, Height: 39 mm, Color: gray
3210004	PP-H 2,5/15	Connectors, Type of connection: Leg spring connection, Number of positions: 15, Cross section: 0.14 mm ² - 4 mm ² , AWG 26 - 12, Width: 78 mm, Height: 39 mm, Color: gray
3040258	SP 2,5/ 1	Connectors, Type of connection: Spring-cage connection, Number of positions: 1, Cross section: 0.08 mm ² - 4 mm ² , AWG 28 - 12, Width: 5.2 mm, Height: 39 mm, Color: gray
3040698	SP 2,5/ 1 BU	Connectors, Type of connection: Spring-cage connection, Number of positions: 1, Cross section: 0.08 mm ² - 4 mm ² , AWG 28 - 12, Width: 5.2 mm, Height: 39 mm, Color: blue
3040708	SP 2,5/ 1 GNYE	Connectors, Type of connection: Spring-cage connection, Number of positions: 1, Cross section: 0.08 mm ² - 4 mm ² , AWG 28 - 12, Width: 5.2 mm, Height: 39 mm, Color: green-yellow
3040261	SP 2,5/ 2	Connectors, Type of connection: Spring-cage connection, Number of positions: 2, Cross section: 0.08 mm ² - 4 mm ² , AWG 28 - 12, Width: 10.4 mm, Height: 39 mm, Color: gray
3040274	SP 2,5/ 3	Connectors, Type of connection: Spring-cage connection, Number of positions: 3, Cross section: 0.08 mm ² - 4 mm ² , AWG 28 - 12, Width: 15.6 mm, Height: 39 mm, Color: gray
3040287	SP 2,5/ 4	Connectors, Type of connection: Spring-cage connection, Number of positions: 4, Cross section: 0.08 mm ² - 4 mm ² , AWG 28 - 12, Width: 20.8 mm, Height: 39 mm, Color: gray

3040290	SP 2,5/ 5	Connectors, Type of connection: Spring-cage connection, Number of positions: 5, Cross section: 0.08 mm ² - 4 mm ² , AWG 28 - 12, Width: 26 mm, Height: 39 mm, Color: gray
3040300	SP 2,5/ 6	Connectors, Type of connection: Spring-cage connection, Number of positions: 6, Cross section: 0.08 mm ² - 4 mm ² , AWG 28 - 12, Width: 31.2 mm, Height: 39 mm, Color: gray
3040313	SP 2,5/ 7	Connectors, Type of connection: Spring-cage connection, Number of positions: 7, Cross section: 0.08 mm ² - 4 mm ² , AWG 28 - 12, Width: 36.4 mm, Height: 39 mm, Color: gray
3040326	SP 2,5/ 8	Connectors, Type of connection: Spring-cage connection, Number of positions: 8, Cross section: 0.08 mm ² - 4 mm ² , AWG 28 - 12, Width: 41.6 mm, Height: 39 mm, Color: gray
3040339	SP 2,5/ 9	Connectors, Type of connection: Spring-cage connection, Number of positions: 9, Cross section: 0.08 mm ² - 4 mm ² , AWG 28 - 12, Width: 46.8 mm, Height: 39 mm, Color: gray
3040342	SP 2,5/10	Connectors, Type of connection: Spring-cage connection, Number of positions: 10, Cross section: 0.08 mm ² - 4 mm ² , AWG 28 - 12, Width: 52 mm, Height: 39 mm, Color: gray
3040355	SP 2,5/11	Connectors, Type of connection: Spring-cage connection, Number of positions: 11, Cross section: 0.08 mm ² - 4 mm ² , AWG 28 - 12, Width: 57.2 mm, Height: 39 mm, Color: gray
3040368	SP 2,5/12	Connectors, Type of connection: Spring-cage connection, Number of positions: 12, Cross section: 0.08 mm ² - 4 mm ² , AWG 28 - 12, Width: 62.4 mm, Height: 39 mm, Color: gray
3040371	SP 2,5/13	Connectors, Type of connection: Spring-cage connection, Number of positions: 13, Cross section: 0.08 mm ² - 4 mm ² , AWG 28 - 12, Width: 67.6 mm, Height: 39 mm, Color: gray
3040384	SP 2,5/14	Connectors, Type of connection: Spring-cage connection, Number of positions: 14, Cross section: 0.08 mm ² - 4 mm ² , AWG 28 - 12, Width: 72.8 mm, Height: 39 mm, Color: gray
3040397	SP 2,5/15	Connectors, Type of connection: Spring-cage connection, Number of positions: 15, Cross section: 0.08 mm ² - 4 mm ² , AWG 28 - 12, Width: 78 mm, Height: 39 mm, Color: gray
3210619	SP-H 2,5/ 1	Connectors, Type of connection: Spring-cage connection, Number of positions: 1, Cross section: 0.08 mm ² - 4 mm ² , AWG 28 - 12, Width: 5.2 mm, Height: 39 mm, Color: gray
3210761	SP-H 2,5/ 1 BU	Connectors, Type of connection: Spring-cage connection, Number of positions: 1, Cross section: 0.08 mm ² - 4 mm ² , AWG 28 - 12, Width: 5.2 mm, Height: 39 mm, Color: blue
3210774	SP-H 2,5/ 1 GNYE	Connectors, Type of connection: Spring-cage connection, Number of positions: 1, Cross section: 0.08 mm ² - 4 mm ² , AWG 28 - 12, Width: 5.2 mm, Height: 39 mm, Color: green-yellow
3210787	SP-H 2,5/ 1-L	Connectors, Type of connection: Spring-cage connection, Number of positions: 1, Cross section: 0.08 mm ² - 4 mm ² , AWG 28 - 12, Width: 5.2 mm, Height: 39 mm, Color: gray
3210790	SP-H 2,5/ 1-L BU	Connectors, Type of connection: Spring-cage connection, Number of positions: 1, Cross section: 0.08 mm ² - 4 mm ² , AWG 28 - 12, Width: 5.2 mm, Height: 39 mm, Color: blue

3210800	SP-H 2,5/ 1-L GNYE	Connectors, Type of connection: Spring-cage connection, Number of positions: 1, Cross section: 0.08 mm ² - 4 mm ² , AWG 28 - 12, Width: 5.2 mm, Height: 39 mm, Color: green-yellow
3210813	SP-H 2,5/ 1-M	Connectors, Type of connection: Spring-cage connection, Number of positions: 1, Cross section: 0.08 mm ² - 4 mm ² , AWG 28 - 12, Width: 5.2 mm, Height: 39 mm, Color: gray
3210826	SP-H 2,5/ 1-M BU	Connectors, Type of connection: Spring-cage connection, Number of positions: 1, Cross section: 0.08 mm ² - 4 mm ² , AWG 28 - 12, Width: 5.2 mm, Height: 39 mm, Color: blue
3210839	SP-H 2,5/ 1-M GNYE	Connectors, Type of connection: Spring-cage connection, Number of positions: 1, Cross section: 0.08 mm ² - 4 mm ² , AWG 28 - 12, Width: 5.2 mm, Height: 39 mm, Color: green-yellow
3210842	SP-H 2,5/ 1-R	Connectors, Type of connection: Spring-cage connection, Number of positions: 1, Cross section: 0.08 mm ² - 4 mm ² , AWG 28 - 12, Width: 5.2 mm, Height: 39 mm, Color: gray
3210855	SP-H 2,5/ 1-R BU	Connectors, Type of connection: Spring-cage connection, Number of positions: 1, Cross section: 0.08 mm ² - 4 mm ² , AWG 28 - 12, Width: 5.2 mm, Height: 39 mm, Color: blue
3210868	SP-H 2,5/ 1-R GNYE	Connectors, Type of connection: Spring-cage connection, Number of positions: 1, Cross section: 0.08 mm ² - 4 mm ² , AWG 28 - 12, Width: 5.2 mm, Height: 39 mm, Color: green-yellow
3210622	SP-H 2,5/ 2	Connectors, Type of connection: Spring-cage connection, Number of positions: 2, Cross section: 0.08 mm ² - 4 mm ² , AWG 28 - 12, Width: 10.4 mm, Height: 39 mm, Color: gray
3210635	SP-H 2,5/ 3	Connectors, Type of connection: Spring-cage connection, Number of positions: 3, Cross section: 0.08 mm ² - 4 mm ² , AWG 28 - 12, Width: 15.6 mm, Height: 39 mm, Color: gray
3210648	SP-H 2,5/ 4	Connectors, Type of connection: Spring-cage connection, Number of positions: 4, Cross section: 0.08 mm ² - 4 mm ² , AWG 28 - 12, Width: 20.8 mm, Height: 39 mm, Color: gray
3210651	SP-H 2,5/ 5	Connectors, Type of connection: Spring-cage connection, Number of positions: 5, Cross section: 0.08 mm ² - 4 mm ² , AWG 28 - 12, Width: 26 mm, Height: 39 mm, Color: gray
3210664	SP-H 2,5/ 6	Connectors, Type of connection: Spring-cage connection, Number of positions: 6, Cross section: 0.08 mm ² - 4 mm ² , AWG 28 - 12, Width: 31.2 mm, Height: 39 mm, Color: gray
3210677	SP-H 2,5/ 7	Connectors, Type of connection: Spring-cage connection, Number of positions: 7, Cross section: 0.08 mm ² - 4 mm ² , AWG 28 - 12, Width: 36.4 mm, Height: 39 mm, Color: gray
3210680	SP-H 2,5/ 8	Connectors, Type of connection: Spring-cage connection, Number of positions: 8, Cross section: 0.08 mm ² - 4 mm ² , AWG 28 - 12, Width: 41.6 mm, Height: 39 mm, Color: gray
3210693	SP-H 2,5/ 9	Connectors, Type of connection: Spring-cage connection, Number of positions: 9, Cross section: 0.08 mm ² - 4 mm ² , AWG 28 - 12, Width: 46.8 mm, Height: 39 mm, Color: gray
3210703	SP-H 2,5/10	Connectors, Type of connection: Spring-cage connection, Number of positions: 10, Cross section: 0.08 mm ² - 4 mm ² , AWG 28 - 12, Width: 52 mm, Height: 39 mm, Color: gray

3210716	SP-H 2,5/11	Connectors, Type of connection: Spring-cage connection, Number of positions: 11, Cross section: 0.08 mm ² - 4 mm ² , AWG 28 - 12, Width: 57.2 mm, Height: 39 mm, Color: gray
3210729	SP-H 2,5/12	Connectors, Type of connection: Spring-cage connection, Number of positions: 12, Cross section: 0.08 mm ² - 4 mm ² , AWG 28 - 12, Width: 62.4 mm, Height: 39 mm, Color: gray
3210732	SP-H 2,5/13	Connectors, Type of connection: Spring-cage connection, Number of positions: 13, Cross section: 0.08 mm ² - 4 mm ² , AWG 28 - 12, Width: 67.6 mm, Height: 39 mm, Color: gray
3210745	SP-H 2,5/14	Connectors, Type of connection: Spring-cage connection, Number of positions: 14, Cross section: 0.08 mm ² - 4 mm ² , AWG 28 - 12, Width: 72.8 mm, Height: 39 mm, Color: gray
3210758	SP-H 2,5/15	Connectors, Type of connection: Spring-cage connection, Number of positions: 15, Cross section: 0.08 mm ² - 4 mm ² , AWG 28 - 12, Width: 78 mm, Height: 39 mm, Color: gray
3040106	SPB 2,5/ 1	Connectors, Type of connection: Spring-cage connection, Number of positions: 1, Cross section: 0.08 mm ² - 4 mm ² , AWG 28 - 12, Width: 5.2 mm, Height: 39 mm, Color: gray
3040724	SPB 2,5/ 1 BU	Connectors, Type of connection: Spring-cage connection, Number of positions: 1, Cross section: 0.08 mm ² - 4 mm ² , AWG 28 - 12, Width: 5.2 mm, Height: 39 mm, Color: blue
3040711	SPB 2,5/ 1 GNYE	Connectors, Type of connection: Spring-cage connection, Number of positions: 1, Cross section: 0.08 mm ² - 4 mm ² , AWG 28 - 12, Width: 5.2 mm, Height: 39 mm, Color: green-yellow
3040119	SPB 2,5/ 2	Connectors, Type of connection: Spring-cage connection, Number of positions: 2, Cross section: 0.08 mm ² - 4 mm ² , AWG 28 - 12, Width: 10.4 mm, Height: 39 mm, Color: gray
3040122	SPB 2,5/ 3	Connectors, Type of connection: Spring-cage connection, Number of positions: 3, Cross section: 0.08 mm ² - 4 mm ² , AWG 28 - 12, Width: 15.6 mm, Height: 39 mm, Color: gray
3040135	SPB 2,5/ 4	Connectors, Type of connection: Spring-cage connection, Number of positions: 4, Cross section: 0.08 mm ² - 4 mm ² , AWG 28 - 12, Width: 20.8 mm, Height: 39 mm, Color: gray
3040143	SPB 2,5/ 5	Connectors, Type of connection: Spring-cage connection, Number of positions: 5, Cross section: 0.08 mm ² - 4 mm ² , AWG 28 - 12, Width: 26 mm, Height: 39 mm, Color: gray
3040151	SPB 2,5/ 6	Connectors, Type of connection: Spring-cage connection, Number of positions: 6, Cross section: 0.08 mm ² - 4 mm ² , AWG 28 - 12, Width: 31.2 mm, Height: 39 mm, Color: gray
3040164	SPB 2,5/ 7	Connectors, Type of connection: Spring-cage connection, Number of positions: 7, Cross section: 0.08 mm ² - 4 mm ² , AWG 28 - 12, Width: 36.4 mm, Height: 39 mm, Color: gray
3040177	SPB 2,5/ 8	Connectors, Type of connection: Spring-cage connection, Number of positions: 8, Cross section: 0.08 mm ² - 4 mm ² , AWG 28 - 12, Width: 41.6 mm, Height: 39 mm, Color: gray
3040180	SPB 2,5/ 9	Connectors, Type of connection: Spring-cage connection, Number of positions: 9, Cross section: 0.08 mm ² - 4 mm ² , AWG 28 - 12, Width: 46.8 mm, Height: 39 mm, Color: gray

3040193	SPB 2,5/10	Connectors, Type of connection: Spring-cage connection, Number of positions: 10, Cross section: 0.08 mm ² - 4 mm ² , AWG 28 - 12, Width: 52 mm, Height: 39 mm, Color: gray
3040203	SPB 2,5/11	Connectors, Type of connection: Spring-cage connection, Number of positions: 11, Cross section: 0.08 mm ² - 4 mm ² , AWG 28 - 12, Width: 57.2 mm, Height: 39 mm, Color: gray
3040216	SPB 2,5/12	Connectors, Type of connection: Spring-cage connection, Number of positions: 12, Cross section: 0.08 mm ² - 4 mm ² , AWG 28 - 12, Width: 62.4 mm, Height: 39 mm, Color: gray
3040229	SPB 2,5/13	Connectors, Type of connection: Spring-cage connection, Number of positions: 13, Cross section: 0.08 mm ² - 4 mm ² , AWG 28 - 12, Width: 67.6 mm, Height: 39 mm, Color: gray
3040232	SPB 2,5/14	Connectors, Type of connection: Spring-cage connection, Number of positions: 14, Cross section: 0.08 mm ² - 4 mm ² , AWG 28 - 12, Width: 72.8 mm, Height: 39 mm, Color: gray
3040245	SPB 2,5/15	Connectors, Type of connection: Spring-cage connection, Number of positions: 15, Cross section: 0.08 mm ² - 4 mm ² , AWG 28 - 12, Width: 78 mm, Height: 39 mm, Color: gray
3040407	SPDB 2,5/ 1	Connectors, Type of connection: Spring-cage connection, Number of positions: 1, Cross section: 0.08 mm ² - 4 mm ² , AWG 28 - 12, Width: 5.2 mm, Height: 39 mm, Color: gray
3040737	SPDB 2,5/ 1 BU	Connectors, Type of connection: Spring-cage connection, Number of positions: 1, Cross section: 0.08 mm ² - 4 mm ² , AWG 28 - 12, Width: 5.2 mm, Height: 39 mm, Color: blue
3040740	SPDB 2,5/ 1 GNYE	Connectors, Type of connection: Spring-cage connection, Number of positions: 1, Cross section: 0.08 mm ² - 4 mm ² , AWG 28 - 12, Width: 5.2 mm, Height: 39 mm, Color: green-yellow
3040410	SPDB 2,5/ 2	Connectors, Type of connection: Spring-cage connection, Number of positions: 2, Cross section: 0.08 mm ² - 4 mm ² , AWG 28 - 12, Width: 10.4 mm, Height: 39 mm, Color: gray
3040423	SPDB 2,5/ 3	Connectors, Type of connection: Spring-cage connection, Number of positions: 3, Cross section: 0.08 mm ² - 4 mm ² , AWG 28 - 12, Width: 15.6 mm, Height: 39 mm, Color: gray
3040436	SPDB 2,5/ 4	Connectors, Type of connection: Spring-cage connection, Number of positions: 4, Cross section: 0.08 mm ² - 4 mm ² , AWG 28 - 12, Width: 20.8 mm, Height: 39 mm, Color: gray
3040449	SPDB 2,5/ 5	Connectors, Type of connection: Spring-cage connection, Number of positions: 5, Cross section: 0.08 mm ² - 4 mm ² , AWG 28 - 12, Width: 26 mm, Height: 39 mm, Color: gray
3040452	SPDB 2,5/ 6	Connectors, Type of connection: Spring-cage connection, Number of positions: 6, Cross section: 0.08 mm ² - 4 mm ² , AWG 28 - 12, Width: 31.2 mm, Height: 39 mm, Color: gray
3040465	SPDB 2,5/ 7	Connectors, Type of connection: Spring-cage connection, Number of positions: 7, Cross section: 0.08 mm ² - 4 mm ² , AWG 28 - 12, Width: 36.4 mm, Height: 39 mm, Color: gray
3040478	SPDB 2,5/ 8	Connectors, Type of connection: Spring-cage connection, Number of positions: 8, Cross section: 0.08 mm ² - 4 mm ² , AWG 28 - 12, Width: 41.6 mm, Height: 39 mm, Color: gray

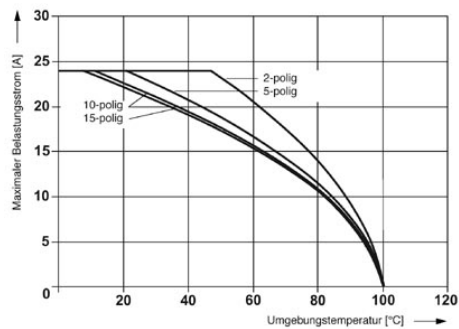
3040481	SPDB 2,5/ 9	Connectors, Type of connection: Spring-cage connection, Number of positions: 9, Cross section: 0.08 mm ² - 4 mm ² , AWG 28 - 12, Width: 46.8 mm, Height: 39 mm, Color: gray
3040494	SPDB 2,5/10	Connectors, Type of connection: Spring-cage connection, Number of positions: 10, Cross section: 0.08 mm ² - 4 mm ² , AWG 28 - 12, Width: 52 mm, Height: 39 mm, Color: gray
3040504	SPDB 2,5/11	Connectors, Type of connection: Spring-cage connection, Number of positions: 11, Cross section: 0.08 mm ² - 4 mm ² , AWG 28 - 12, Width: 57.2 mm, Height: 39 mm, Color: gray
3040517	SPDB 2,5/12	Connectors, Type of connection: Spring-cage connection, Number of positions: 12, Cross section: 0.08 mm ² - 4 mm ² , AWG 28 - 12, Width: 62.4 mm, Height: 39 mm, Color: gray
3040520	SPDB 2,5/13	Connectors, Type of connection: Spring-cage connection, Number of positions: 13, Cross section: 0.08 mm ² - 4 mm ² , AWG 28 - 12, Width: 67.6 mm, Height: 39 mm, Color: gray
3040533	SPDB 2,5/14	Connectors, Type of connection: Spring-cage connection, Number of positions: 14, Cross section: 0.08 mm ² - 4 mm ² , AWG 28 - 12, Width: 72.8 mm, Height: 39 mm, Color: gray
3040546	SPDB 2,5/15	Connectors, Type of connection: Spring-cage connection, Number of positions: 15, Cross section: 0.08 mm ² - 4 mm ² , AWG 28 - 12, Width: 78 mm, Height: 39 mm, Color: gray
3041710	SPV 2,5/ 1	Connectors, Type of connection: Spring-cage connection, Number of positions: 1, Cross section: 0.08 mm ² - 4 mm ² , AWG 28 - 12, Width: 5.2 mm, Height: 34 mm, Color: gray
3061017	SPV 2,5/ 1 BU	Connectors, Type of connection: Spring-cage connection, Number of positions: 1, Cross section: 0.08 mm ² - 4 mm ² , AWG 28 - 12, Width: 5.2 mm, Height: 34 mm, Color: blue
3061020	SPV 2,5/ 1 GNYE	Connectors, Type of connection: Spring-cage connection, Number of positions: 1, Cross section: 0.08 mm ² - 4 mm ² , AWG 28 - 12, Width: 5.2 mm, Height: 34 mm, Color: green-yellow
3041024	SPV 2,5/ 1-L	Connectors, Type of connection: Spring-cage connection, Number of positions: 1, Cross section: 0.08 mm ² - 4 mm ² , AWG 28 - 12, Width: 5.2 mm, Height: 34 mm, Color: gray
3041037	SPV 2,5/ 1-L BU	Connectors, Type of connection: Spring-cage connection, Number of positions: 1, Cross section: 0.08 mm ² - 4 mm ² , AWG 28 - 12, Width: 5.2 mm, Height: 34 mm, Color: blue
3041040	SPV 2,5/ 1-L GNYE	Connectors, Type of connection: Spring-cage connection, Number of positions: 1, Cross section: 0.08 mm ² - 4 mm ² , AWG 28 - 12, Width: 5.2 mm, Height: 34 mm, Color: green-yellow
3041053	SPV 2,5/ 1-M	Connectors, Type of connection: Spring-cage connection, Number of positions: 1, Cross section: 0.08 mm ² - 4 mm ² , AWG 28 - 12, Width: 5.2 mm, Height: 34 mm, Color: gray
3041066	SPV 2,5/ 1-M BU	Connectors, Type of connection: Spring-cage connection, Number of positions: 1, Cross section: 0.08 mm ² - 4 mm ² , AWG 28 - 12, Width: 5.2 mm, Height: 34 mm, Color: blue
3041079	SPV 2,5/ 1-M GNYE	Connectors, Type of connection: Spring-cage connection, Number of positions: 1, Cross section: 0.08 mm ² - 4 mm ² , AWG 28 - 12, Width: 5.2 mm, Height: 34 mm, Color: green-yellow

3041082	SPV 2,5/ 1-R	Connectors, Type of connection: Spring-cage connection, Number of positions: 1, Cross section: 0.08 mm ² - 4 mm ² , AWG 28 - 12, Width: 5.2 mm, Height: 34 mm, Color: gray
3041095	SPV 2,5/ 1-R BU	Connectors, Type of connection: Spring-cage connection, Number of positions: 1, Cross section: 0.08 mm ² - 4 mm ² , AWG 28 - 12, Width: 5.2 mm, Height: 34 mm, Color: blue
3041105	SPV 2,5/ 1-R GNYE	Connectors, Type of connection: Spring-cage connection, Number of positions: 1, Cross section: 0.08 mm ² - 4 mm ² , AWG 28 - 12, Width: 5.2 mm, Height: 34 mm, Color: green-yellow
3041723	SPV 2,5/ 2	Connectors, Type of connection: Spring-cage connection, Number of positions: 2, Cross section: 0.08 mm ² - 4 mm ² , AWG 28 - 12, Width: 10.4 mm, Height: 34 mm, Color: gray
3041736	SPV 2,5/ 3	Connectors, Type of connection: Spring-cage connection, Number of positions: 3, Cross section: 0.08 mm ² - 4 mm ² , AWG 28 - 12, Width: 15.6 mm, Height: 34 mm, Color: gray
3041749	SPV 2,5/ 4	Connectors, Type of connection: Spring-cage connection, Number of positions: 4, Cross section: 0.08 mm ² - 4 mm ² , AWG 28 - 12, Width: 20.8 mm, Height: 34 mm, Color: gray
3041752	SPV 2,5/ 5	Connectors, Type of connection: Spring-cage connection, Number of positions: 5, Cross section: 0.08 mm ² - 4 mm ² , AWG 28 - 12, Width: 26 mm, Height: 34 mm, Color: gray
3041765	SPV 2,5/ 6	Connectors, Type of connection: Spring-cage connection, Number of positions: 6, Cross section: 0.08 mm ² - 4 mm ² , AWG 28 - 12, Width: 31.2 mm, Height: 34 mm, Color: gray
3041778	SPV 2,5/ 7	Connectors, Type of connection: Spring-cage connection, Number of positions: 7, Cross section: 0.08 mm ² - 4 mm ² , AWG 28 - 12, Width: 36.4 mm, Height: 34 mm, Color: gray
3041781	SPV 2,5/ 8	Connectors, Type of connection: Spring-cage connection, Number of positions: 8, Cross section: 0.08 mm ² - 4 mm ² , AWG 28 - 12, Width: 41.6 mm, Height: 34 mm, Color: gray
3041794	SPV 2,5/ 9	Connectors, Type of connection: Spring-cage connection, Number of positions: 9, Cross section: 0.08 mm ² - 4 mm ² , AWG 28 - 12, Width: 46.8 mm, Height: 34 mm, Color: gray
3041804	SPV 2,5/10	Connectors, Type of connection: Spring-cage connection, Number of positions: 10, Cross section: 0.08 mm ² - 4 mm ² , AWG 28 - 12, Width: 52 mm, Height: 34 mm, Color: gray
3041817	SPV 2,5/11	Connectors, Type of connection: Spring-cage connection, Number of positions: 11, Cross section: 0.08 mm ² - 4 mm ² , AWG 28 - 12, Width: 57.2 mm, Height: 34 mm, Color: gray
3041820	SPV 2,5/12	Connectors, Type of connection: Spring-cage connection, Number of positions: 12, Cross section: 0.08 mm ² - 4 mm ² , AWG 28 - 12, Width: 62.4 mm, Height: 34 mm, Color: gray
3041833	SPV 2,5/13	Connectors, Type of connection: Spring-cage connection, Number of positions: 13, Cross section: 0.08 mm ² - 4 mm ² , AWG 28 - 12, Width: 67.6 mm, Height: 34 mm, Color: gray
3041846	SPV 2,5/14	Connectors, Type of connection: Spring-cage connection, Number of positions: 14, Cross section: 0.08 mm ² - 4 mm ² , AWG 28 - 12, Width: 72.8 mm, Height: 34 mm, Color: gray

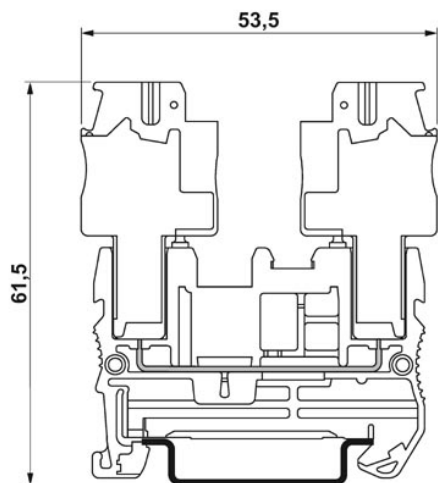
3041859	SPV 2,5/15	Connectors, Type of connection: Spring-cage connection, Number of positions: 15, Cross section: 0.08 mm ² - 4 mm ² , AWG 28 - 12, Width: 78 mm, Height: 34 mm, Color: gray
---------	------------	--

Diagrams/Drawings

Diagram



Dimensioned drawing



Circuit diagram



Address

PHOENIX CONTACT Deutschland GmbH
Flachmarktstr. 8
32825 Blomberg, Germany
Phone +49 5235 3 12000
Fax +49 5235 3 41200
<http://www.phoenixcontact.de>



© 2011 Phoenix Contact
Technical modifications reserved;



Компания «ЭлектроПласт» предлагает заключение долгосрочных отношений при поставках импортных электронных компонентов на взаимовыгодных условиях!

Наши преимущества:

- Оперативные поставки широкого спектра электронных компонентов отечественного и импортного производства напрямую от производителей и с крупнейших мировых складов;
- Поставка более 17-ти миллионов наименований электронных компонентов;
- Поставка сложных, дефицитных, либо снятых с производства позиций;
- Оперативные сроки поставки под заказ (от 5 рабочих дней);
- Экспресс доставка в любую точку России;
- Техническая поддержка проекта, помощь в подборе аналогов, поставка прототипов;
- Система менеджмента качества сертифицирована по Международному стандарту ISO 9001;
- Лицензия ФСБ на осуществление работ с использованием сведений, составляющих государственную тайну;
- Поставка специализированных компонентов (Xilinx, Altera, Analog Devices, Intersil, Interpoint, Microsemi, Aeroflex, Peregrine, Syfer, Eurofarad, Texas Instrument, Miteq, Cobham, E2V, MA-COM, Hittite, Mini-Circuits, General Dynamics и др.);

Помимо этого, одним из направлений компании «ЭлектроПласт» является направление «Источники питания». Мы предлагаем Вам помощь Конструкторского отдела:

- Подбор оптимального решения, техническое обоснование при выборе компонента;
- Подбор аналогов;
- Консультации по применению компонента;
- Поставка образцов и прототипов;
- Техническая поддержка проекта;
- Защита от снятия компонента с производства.



Как с нами связаться

Телефон: 8 (812) 309 58 32 (многоканальный)

Факс: 8 (812) 320-02-42

Электронная почта: org@eplast1.ru

Адрес: 198099, г. Санкт-Петербург, ул. Калинина, дом 2, корпус 4, литера А.