

QMA Connectors

Snap-On SMA Series of RF Connectors

Product Facts

- Positive snap-on interface facilitates assembly
- Intermateable with competitor product
- Excellent RF performance to 6 GHz
- Ideal for Communications and Industrial Applications



Tyco Electronics' next generation high performance RF products QMA (Snap-On SMA) connectors series offers the same high quality and performance currently found in the standard Tyco Electronics SMA series but does not require the coupling nut torque.

By integrating a snap-on feature to the design, denser packaging can be achieved, and the overall applied cost is dramatically reduced. The QMA connector series is excellent for communications as well as industrial applications. The QMA offering is designed for 100 mating cycles, operates through 6 GHz, and is completely intermateable with competitive QMA offerings. This new QMA product is not intermateable with standard SMA interfaces.

QMA connectors are available in a broad range of standard configurations,

including PCB and panel mount, flexible and semi-rigid cable, and adapters. Other options can be reviewed as well, including additional cable sizes, PCB surface mounting, and tape and reel packaging.

The QMA connector series is a cost effective solution for the challenging demands of today's commercial marketplace, with applications including cellular base station, handsets, and test and measurement. Call your local sales office or authorized distributor for additional information or samples of the QMA connector series.

Tyco Electronics is a leading supplier of RF and Microwave connectors and cable assemblies, and provides advanced technology products from well known and industry leading brands, including AMP and M/A-COM.

Material and Finish

Shells and Bodies — Brass, nickel plated

Collars — Phosphor bronze, white bronze plated

Outer Contacts — Beryllium copper, nickel plated

Center Contacts — Beryllium copper, gold plated

Dielectrics — PTFE

Electrical Characteristics

Frequency — dc – 6 GHz

Nominal Impedance — 50 ohms

Voltage Rating — 335 Volts (VRMS max.) @ Sea Level

VSWR — 1.15 : 1 max. @ 6 GHz

Insulation Resistance — 5,000 megohms min.

Insertion Loss — .25 dB Max @ 6 GHz

Dielectric Withstanding Voltage — 1000 Volts (VRMS max.) @ Sea Level

Contact Resistance —

Center Contact — 5 milliohms max.

Outer Contact — 4 milliohms max.

Mechanical Characteristics

Connector Durability —

100 mating cycles

Force to Engage — 27 Newtons

Force to Disengage — 20 Newtons

Retention Force (mated pair) — 60 Newtons min.

Cable Retention — Dependent upon cable type

Environmental Characteristics

Temperature Rating —

-40 to +125°C

Vibration — EIA-364-28, Test Condition VII, Condition D

Shock — EIA-364-27, Method H

Moisture Resistance — EIA-364-31, Method III

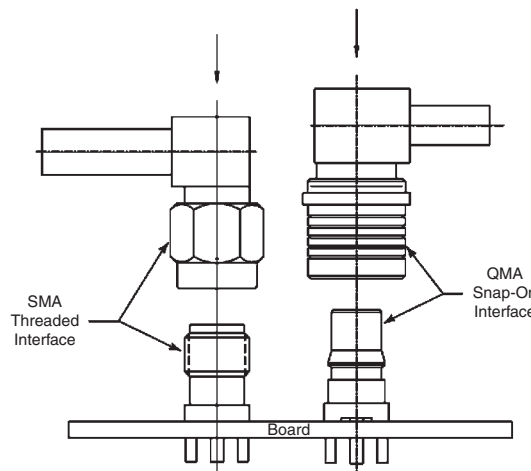
Thermal Shock — EIA-364-32

Note: Performance specifications are typical, but may not apply to all connector types.

Related Product Data

Product Specification — 108-2087

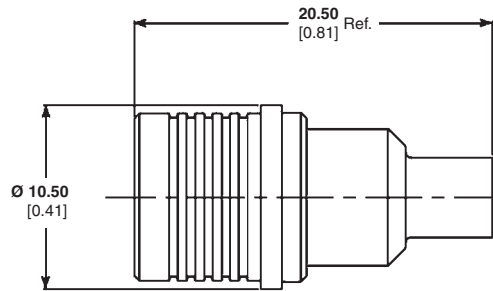
Sample Kit — 1654882



QMA Connectors (Continued)

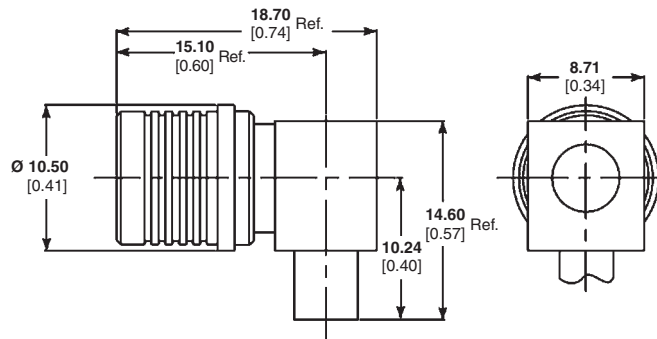
**Semi-Rigid Cable —
Direct Solder Attachment**

Straight Cable Plug



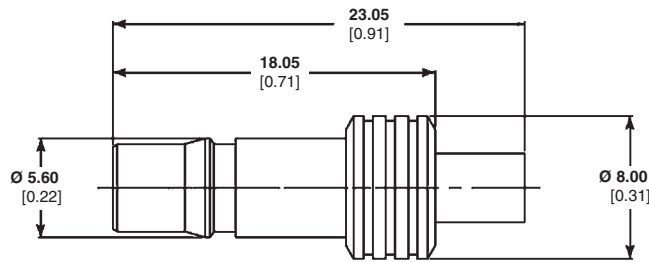
Cable	Part Number
RG 402	1408346-1

Right-Angle Cable Plug



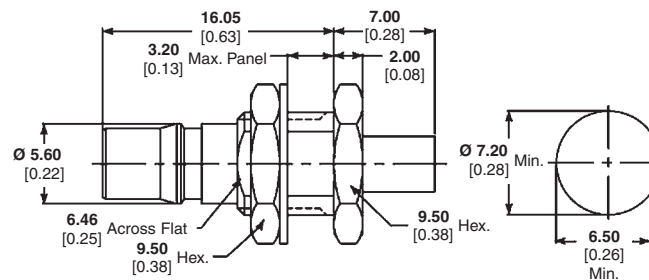
Cable	Part Number
RG 402	1408347-1

Straight Cable Jack



Cable	Part Number
RG 402	1408348-1

Bulkhead Cable Jack



Recommended Mounting Hole

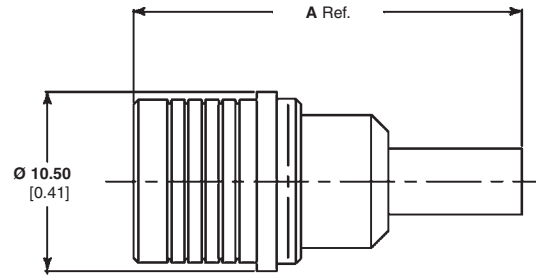
Cable	Part Number
RG 402	1408349-1

Note: Part Numbers are RoHS compliant except: ♦ Indicates non-RoHS compliant.

QMA Connectors (Continued)

Flexible Cable — Crimp Attachment

Straight Cable Plug

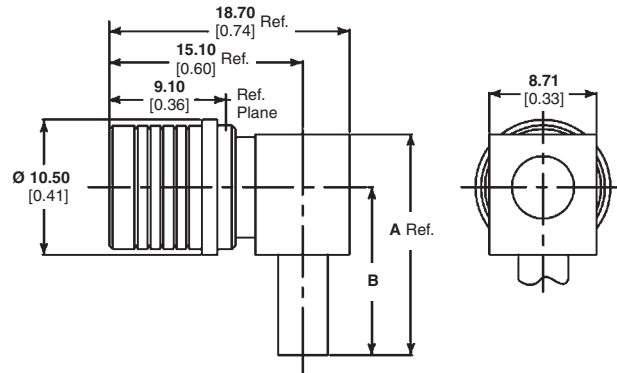


Cable	Dim. A	Part Number
RG 174, 188, 316	22.90 0.90	1408333-1
RD 316	22.90 0.90	1408333-3
RG 400	25.20 0.99	1408333-5
RG 58	25.20 0.99	1408333-7

Right-Angle Cable Plug



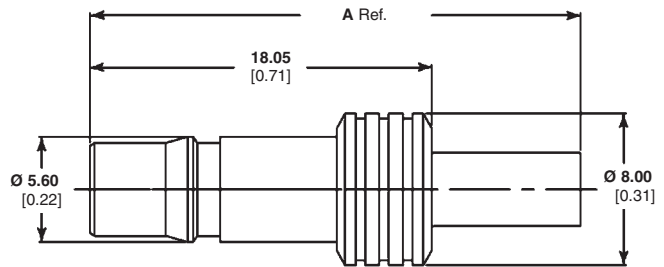
Cable	Dim. A	Dim. B	Part Number
RG 174, 188, 316	17.20 0.68	13.10 0.52	1408336-1
RD 316	17.20 0.68	13.10 0.52	1408336-3
RG 400	19.50 0.77	15.40 0.61	1408336-5
RG 58	19.50 0.77	15.40 0.61	1408336-7



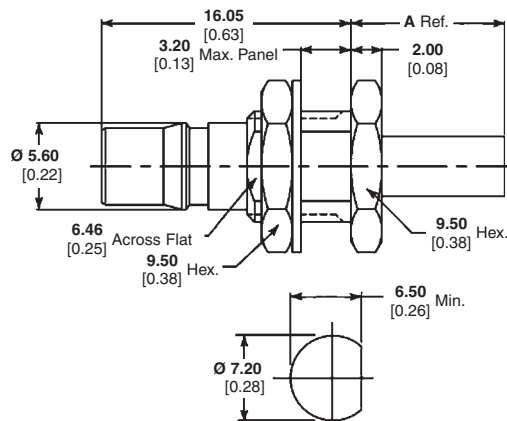
Straight Cable Jack



Cable	Dim. A	Part Number
RG 174, 188, 316	25.90 1.02	1408338-1
RD 316	25.90 1.02	1408338-3
RG 400	28.20 1.11	1408338-5
RG 58	28.20 1.11	1408338-7



Bulkhead Cable Jack



Cable	Dim. A	Part Number
RG 174, 188, 316	9.90 0.39	1408339-1
RD 316	9.90 0.39	1408339-3
RG 400	12.20 0.48	1408339-5
RG 58	12.20 0.48	1408339-7

Note: Part Numbers are RoHS compliant except: ♦ Indicates non-RoHS compliant.

Recommended Mounting Hole

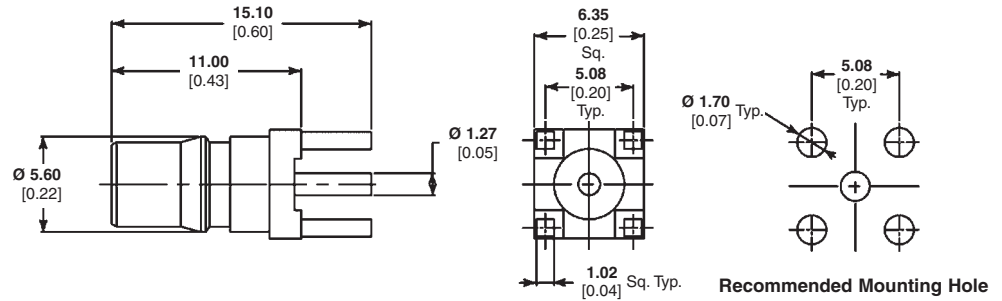
QMA Connectors (Continued)

Printed Circuit Board

Straight Jack Receptacle



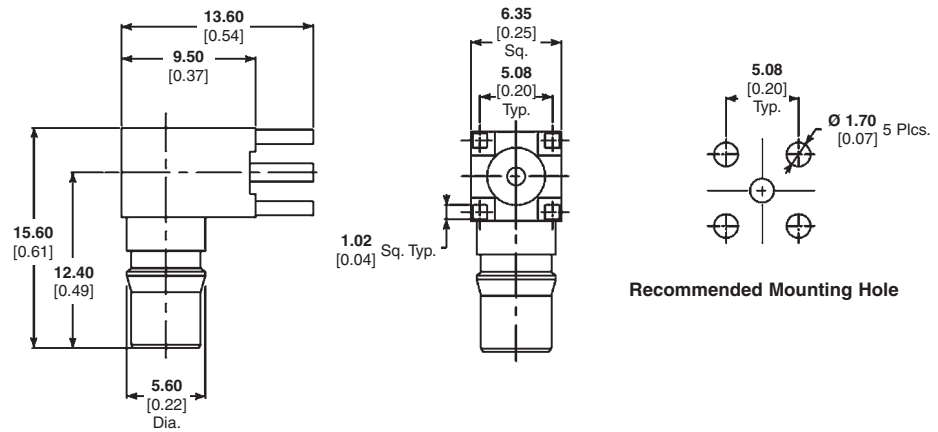
Part Number
1408332-1



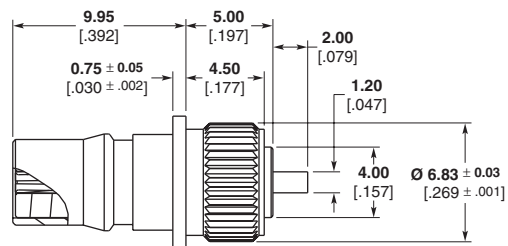
Right-Angle Jack Receptacle



Part Number
1408337-1



Straight Terminal Press-In Jack



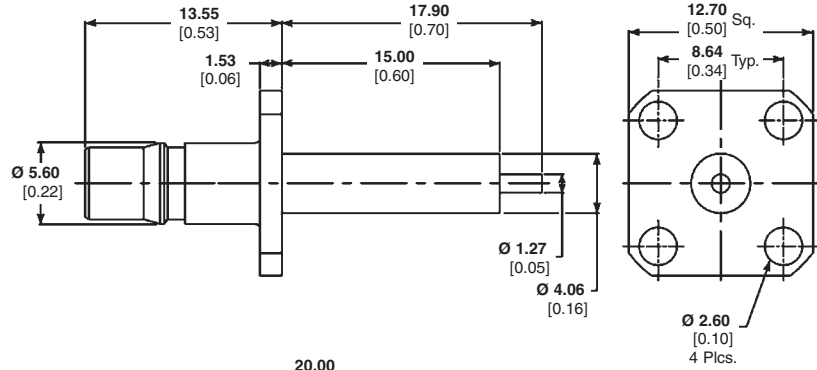
Body Material & Finish	Contact Captivation	RF Leakage db min.	Temperature Range	Part No.
Brass, Gold	Mechanical	N/A	-65 to 125° C	619215-1

Note: Part Numbers are RoHS compliant except: ♦ Indicates non-RoHS compliant.

QMA Connectors (Continued)

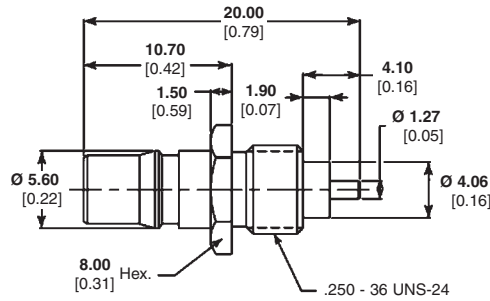
Straight Terminal

4-Hole Flange Mount Jack Receptacle



Part Number
1408341-1

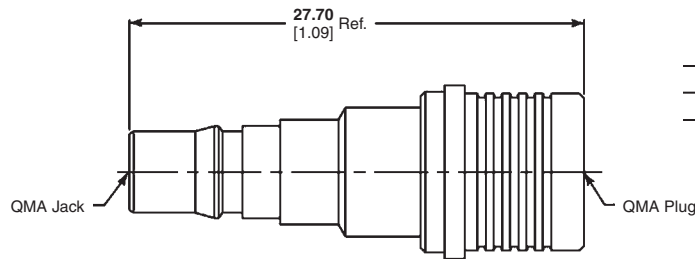
Screw-In Front Mount Jack Receptacle



Part Number
1408340-1

Adapters — In Series

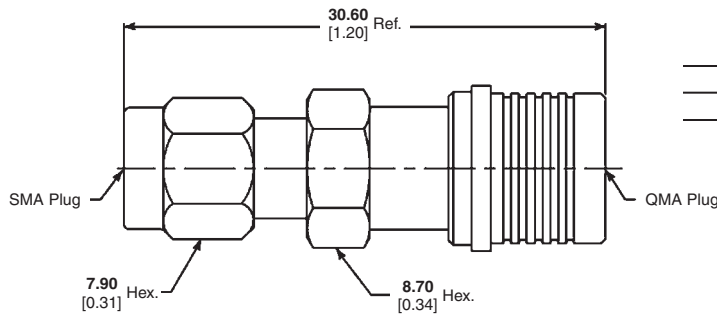
QMA Plug to QMA Jack



Part Number
1408342-1

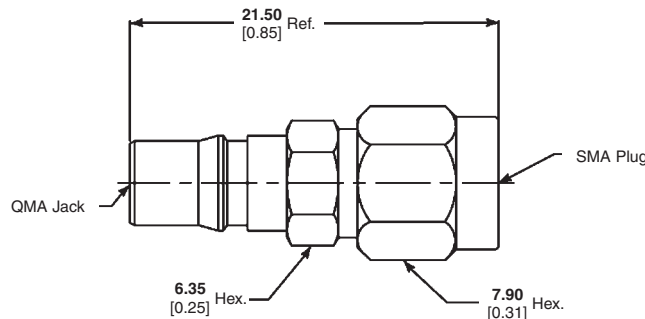
Adapters — Between Series

QMA Plug to SMA Plug



Part Number
1408393-1

QMA Jack to SMA Plug



Part Number
1408343-1

Note: Part Numbers are RoHS compliant except: ♦ Indicates non-RoHS compliant.



Компания «ЭлектроПласт» предлагает заключение долгосрочных отношений при поставках импортных электронных компонентов на взаимовыгодных условиях!

Наши преимущества:

- Оперативные поставки широкого спектра электронных компонентов отечественного и импортного производства напрямую от производителей и с крупнейших мировых складов;
- Поставка более 17-ти миллионов наименований электронных компонентов;
- Поставка сложных, дефицитных, либо снятых с производства позиций;
- Оперативные сроки поставки под заказ (от 5 рабочих дней);
- Экспресс доставка в любую точку России;
- Техническая поддержка проекта, помощь в подборе аналогов, поставка прототипов;
- Система менеджмента качества сертифицирована по Международному стандарту ISO 9001;
- Лицензия ФСБ на осуществление работ с использованием сведений, составляющих государственную тайну;
- Поставка специализированных компонентов (Xilinx, Altera, Analog Devices, Intersil, Interpoint, Microsemi, Aeroflex, Peregrine, Syfer, Eurofarad, Texas Instrument, Miteq, Cobham, E2V, MA-COM, Hittite, Mini-Circuits, General Dynamics и др.);

Помимо этого, одним из направлений компании «ЭлектроПласт» является направление «Источники питания». Мы предлагаем Вам помощь Конструкторского отдела:

- Подбор оптимального решения, техническое обоснование при выборе компонента;
- Подбор аналогов;
- Консультации по применению компонента;
- Поставка образцов и прототипов;
- Техническая поддержка проекта;
- Защита от снятия компонента с производства.



Как с нами связаться

Телефон: 8 (812) 309 58 32 (многоканальный)

Факс: 8 (812) 320-02-42

Электронная почта: org@eplast1.ru

Адрес: 198099, г. Санкт-Петербург, ул. Калинина, дом 2, корпус 4, литера А.