



ON Semiconductor®

<http://onsemi.com>

LC703200AW

Advance Information

CMOS LSI

Speech Processing IC

Overview

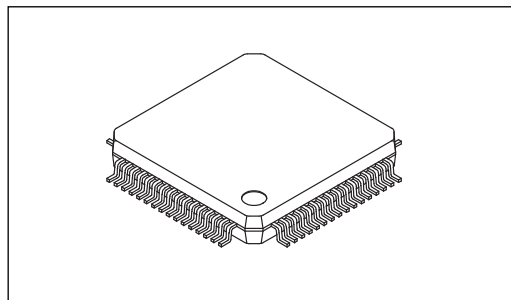
LC703200AW is a Speech Processing LSI which equips original DSP, ADC/DAC, PCM Interface, I²C Interface and Flash memory. The LSI realizes speech processing functions such as Noise Canceller, Voice Speed Control, S-LIVE (Original Low Boost), Center Enhancement and Stereo Enhancement. And the LSI Realize small standalone system by supporting Timer and many I/O functions.

Features

- 1) DSP Block
32bit DSP : Max Frequency = 68MHz, Power Save Mode Support
- 2) I²C Interface : Master/Slave : 1ch
- 3) 24bit ADC/DAC : 2ch, Fs = 8kHz / 11.025kHz / 12kHz / 16kHz / 22.05kHz / 24kHz / 32kHz / 44.1kHz / 48kHz
- 4) PCM Interface : Master mode 2ch, I²S, Left/Right Justified, Long frame Sync., Short Frame Sync.
Fs = 8kHz / 11.025kHz / 12kHz / 16kHz / 22.05kHz / 24kHz / 32kHz / 44.1kHz / 48kHz
Note : Slave mode only support PCM Interface, it doesn't support ADC/DAC.
- 5) TIMER/PWM (MTM) : 6ch(resolution 16bit)
TIMER (PTM) : 1ch(resolution 16bit)
- 6) WDT : 1ch (Max period 32.7S at 8.192MHz oscillation)
- 7) SIO : 2ch (8bit/16bit mode)
- 8) External interrupt request input : 8ch
- 9) GPIO : 21port (Including CPU I/F, SIO, PCM I/F, PWM/TIMER, INT2B - INT7B)
- 10) MIC AMP : 2ch, Gain : 30dB / 27dB / 24dB / 21dB / 18dB / 15dB / 12dB / 0dB
Including MIC bias circuit
- 11) Oscillation frequency : 8.192MHz / 11.2896MHz / 12.288MHz
- 12) Supply Voltage : from 3.0V to 3.6V (IO, OSC, PLL), 1.5V±10% (Internal Logic)

Package

SQFP64(10mm × 10mm)



SPQFP64 10x10 / SQFP64

Figure 1

This document contains information on a new product. Specifications and information herein are subject to change without notice.

ORDERING INFORMATION

See detailed ordering and shipping information on page 20 of this data sheet.

Block Diagram

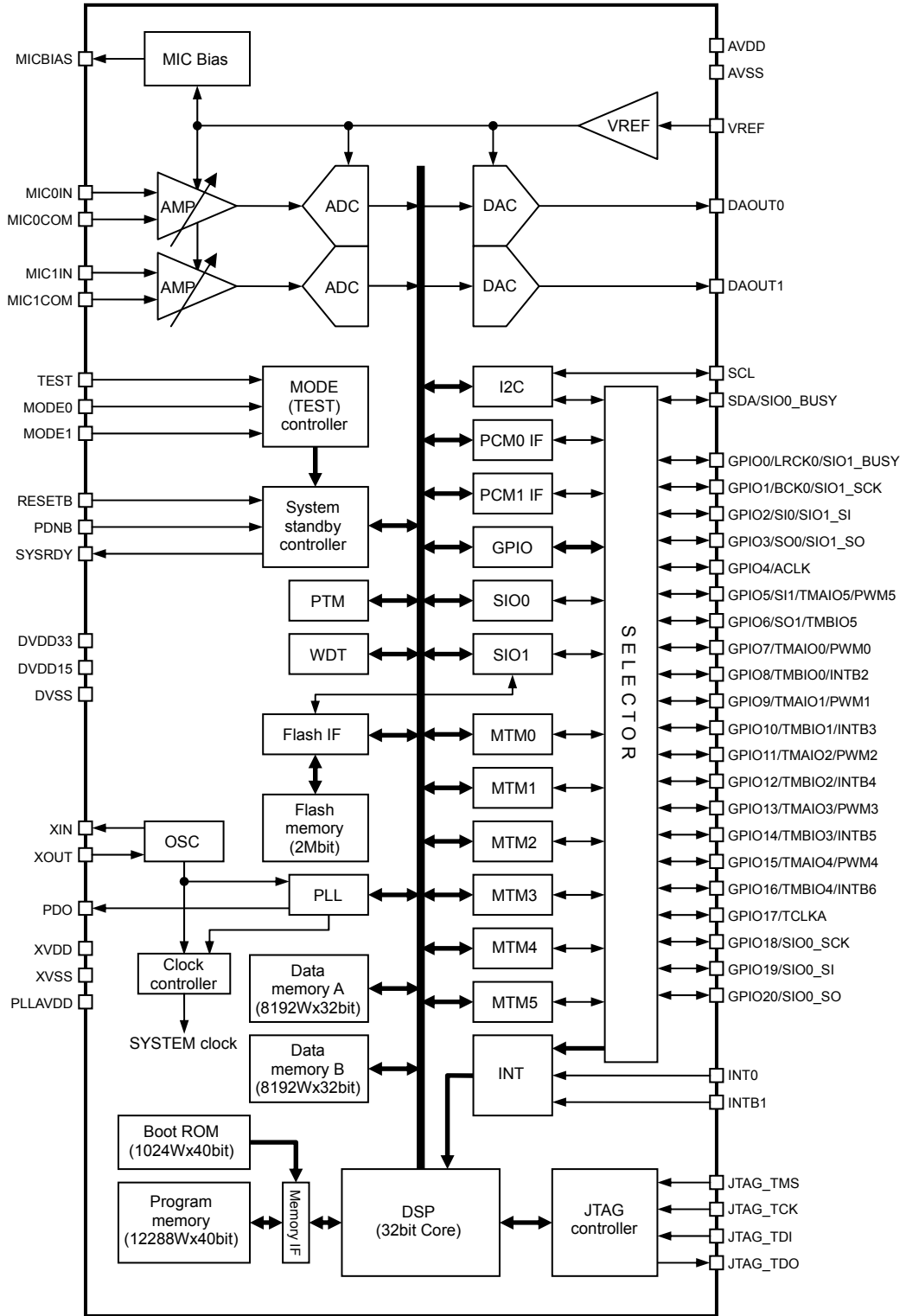


Figure 2

LC703200AW

Pin Assignment

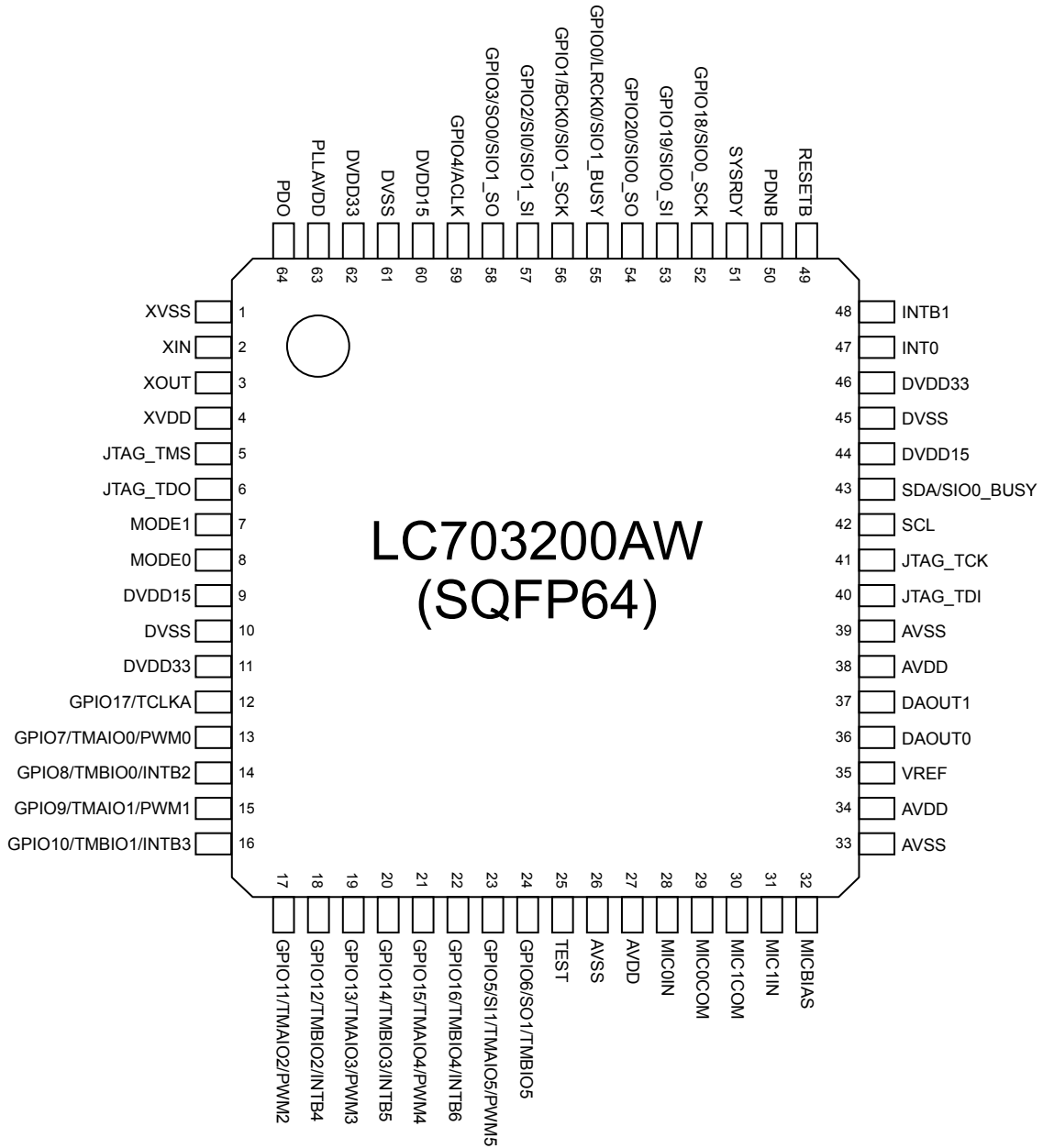


Figure 3 Pin layout

LC703200AW

Table.1A Pin Assignment

Pin No.	Pin Name	IO	Reset Period	Standby Period	Power Supply	Function
1	XVSS	PS	-	-	GND	Oscillation circuit GND
2	XIN	DI				Oscillation circuit input
3	XOUT	DO				Oscillation circuit output
4	XVDD	PS	-	-	3.3V	Oscillation circuit 3.3V power supply
5	JTAG_TMS	DI				JTAG test mode select
6	JTAG_TDO	DO				JTAG test mode output
7	MODE1	DI				Mode setting pin 1
8	MODE0	DI				Mode setting pin 0
9	DVDD15	PS	-	-	1.5V	Digital 1.5V power supply
10	DVSS	PS	-	-	GND	Digital GND
11	DVDD33	PS	-	-	3.3V	I/O 3.3V power supply
12	GPIO17/TCLKA	DB	DI	=		GPIO17, Timer clock input
13	GPIO7/TMAIO0/PWM0	DB	DI	=		GPIO7, Timer 0A I/O, PWM0 output
14	GPIO8/TMBIO0/INTB2	DB	DI	=		GPIO8, Timer 0B I/O, Interrupt 2
15	GPIO9/TMAIO1/PWM1	DB	DI	=		GPIO9, Timer 1A I/O, PWM1output
16	GPIO10/TMBIO1/INTB3	DB	DI	=		GPIO10, Timer 1B I/O, Interrupt 3
17	GPIO11/TMAIO2/PWM2	DB	DI	=		GPIO11, Timer 2A I/O, PWM2 output
18	GPIO12/TMBIO2/INTB4	DB	DI	=		GPIO12, Timer 2B I/O, Interrupt 4
19	GPIO13/TMAIO3/PWM3	DB	DI	=		GPIO13, Timer 3A I/O, PWM3 output
20	GPIO14/TMBIO3/INTB5	DB	DI	=		GPIO14, Timer 3B I/O, Interrupt 5
21	GPIO15/TMAIO4/PWM4	DB	DI	=		GPIO15, Timer 4A I/O, PWM4 output
22	GPIO16/TMBIO4/INTB6	DB	DI	=		GPIO16, Timer 4B I/O, Interrupt 6
23	GPIO5/SI1/TMAIO5/PWM5	DB	DI	=		GPIO5, PCMIF1 SI, Timer5A I/O, PWM4 output
24	GPIO6/SO1/TMBIO5	DB	DI	=		GPIO6, PCMIF1 SO, Timer 5B I/O
25	TEST	DI	L	L		TEST pin (normally tied to low)
26	AVSS	PS	-	-	GND	Analog GND
27	AVDD	PS	-	-	3.3V	Analog 3.3V power supply
28	MIC0IN	AI				MIC input 0 (Lch)
29	MIC0COM	AI				MIC common input 0 (Lch)
30	MIC1COM	AI				MIC common input 1 (Rch)
31	MIC1IN	AI				MIC input 1 (Rch)
32	MICBIAS	AO				MIC BIAS output
33	AVSS	PS	-	-	GND	Analog GND
34	AVDD	PS	-	-	3.3V	Analog 3.3V power supply
35	VREF	AO				Analog reference voltage output
36	DAOUT0	AO				DAC output 0 (Lch)
37	DAOUT1	AO				DAC output 1 (Rch)
38	AVDD	PS	-	-	3.3V	Analog 3.3V power supply
39	AVSS	PS	-	-	GND	Analog GND
40	JTAG_TDI	DI				JTAG test data input
41	JTAG_TCK	DI				JTAG test clock
42	SCL	DB	DI	=		I2C SCL clock
43	SDA/SIO0_BUSY	DB	DI	=		I2C SDA data, SIO BUSY output
44	DVDD15	PS	-	-	1.5V	Digital 1.5V power supply
45	DVSS	PS	-	-	GND	Digital GND
46	DVDD33	PS	-	-	3.3V	I/O pin 3.3V power supply
47	INT0	DI				Interrupt 0
48	INTB1	DI				Interrupt 1
49	RESETB	DI	L	H		Reset input
50	PDNB	DI	-	L		Standby control input
51	SYSRDY	DO	L	L		System ready output
52	GPIO18/SIO0_SCK	DB	DI	=		GPIO18, SIO0 clock
53	GPIO19/SIO0_SI	DB	DI	=		GPIO19/SIO0 serial input
54	GPIO20/SIO0_SO	DB	DI	=		GPIO20/SIO0 serial output
55	GPIO0/LRCK0/SIO1_BUSY	DB	DI	=		GPIO0, PCMIF LRCK, SIO1 Busy output
56	GPIO1/BCK0/SIO1_SCK	DB	DI	=		GPIO1, PCMIF bit clock, SIO1 clock
57	GPIO2/SIO/SIO1_SI	DB	DI	=		GPIO2, PCMIF0 serial input, SIO1 serial input
58	GPIO3/SO0/SIO1_SO	DB	DI	=		GPIO3, PCMIF0 serial output, SIO1 serial output
59	GPIO4/ACLK	DB	DI	=		GPIO4, PCMIF master clock
60	DVDD15	PS	-	-	1.5V	Digital 1.5V power supply
61	DVSS	PS	-	-	GND	Digital GND
62	DVDD33	PS	-	-	3.3V	I/O 3.3V power supply
63	PLLAVDD	PS	-	-	1.5V	PLL 1.5V power supply
64	PDO	AO				PLL filter output

*) = means hold previous status.

*) TEST pins should be set to L level.

LC703200AW

Table.1B I/O Functions

I/O Symbol	Function
DI	Digital Input
DO	Digital Output
DB	Digital Input/output
AI	Analog Input
AO	Analog Output
PS	Power Supply, GND

LC703200AW

Electrical Characteristics

(1) Absolute Maximum Ratings

Table.2 Absolute Maximum Ratings

VSS = AVSS = XVSS = 0V

Parameter	Symbol	Conditions	Ratings	Unit
Maximum Supply Voltage	VDD33max	DVDD33	-0.3 to +3.96	V
	VDD15max	DVDD15	-0.3 to +1.8	
	XVDD33max	XVDD	-0.3 to +3.96	
	AVDD33max	AVDD	-0.3 to +3.96	
	AVDD15max	PLLAVDD	-0.3 to +1.8	
Input Voltage	VI	3.3V Digital I/O	-0.3 to DVDD33+0.3	
	VIA	3.3V Analog input	-0.3 to AVDD33+0.3	
Output Voltage	VO	3.3V Digital I/O	-0.3 to DVDD33+0.3	
	VOA1	3.3V Analog output	-0.3 to AVDD+0.3	
	VOA2	1.5V Analog output	-0.3 to PLLAVDD+0.3	
Allowable power dissipation	Pdmax	SQFP64 (10x10) Ta = -30°C to +70°C	260	mW
Operating Ambient Temperature	ToPr		-30 to +70	°C
Storage Ambient Temperature	Tstg		-55 to +125	°C

Stresses exceeding Maximum Ratings may damage the device. Maximum Ratings are stress ratings only. Functional operation above the Recommended Operating Conditions is not implied. Extended exposure to stresses above the Recommended Operating Conditions may affect device reliability.

(2) Allowable Operating Range

Table.3 Allowable Operating Range

Ta = -30°C to +70°C, VSS = AVSS = XVSS = 0V

Parameter	Symbol	Pins	Conditions	Min	Typ	Max	Unit
Supply Voltage	VDD33	DVDD33		3.0	3.3	3.6	V
	VDD15	DVDD15		1.35	1.5	1.65	
	XVDD33	XVDD		3.0	3.3	3.6	
	AVDD33	AVDD		3.0	3.3	3.6	
	AVDD15	PLLAVDD		1.35	1.5	1.65	
Input Voltage	VI33	TEST,MODE0-1, RESETB,PDNB,INT0,INTB1, GPIO0-20, SCL,SDA, JTAG_TCK,JTAG_TSM,JTAG_TDI		0	-	VDD33	
	VIA33	MIC0IN,MIC1IN, MIC0COM,MIC1COM		0	-	AVDD33	
	VIX33	XIN		0	-	XVDD33	
Oscillation Frequency	Fopr	XIN,XOUT			8.192 11.2896 12.288		MHz

*) The following relations must be satisfied during power on and power off sequence.

$$AVDD33 \geq XVDD33 \geq VDD33 \geq AVDD15 \geq VDD15$$

LC703200AW

(3) DC Characteristics

Table.4 DC Characteristics(Digital Block)

Ta = -30°C to +70°C, VDD33 = XVDD33 = 3.0V to 3.6V, VDD15 = 1.35V to 1.65V, DVSS = XVSS = 0V

Parameter	Symbol	Pins	Conditions	Min	Typ	Max	Unit
Input "H" level voltage	VIH	TEST, MODE0-1, RESETB, PDNB, INT0, INTB1, GPIO0-20, SCL, SDA, JTAG_TCK, JTAG_TSM, JTAG_TDI		0.7VDD33	-	-	V
Input "L" level voltage	VIL			-	-	0.3VDD33	
Input "H" level current	IIH		VI=VDD33	-10	-	+10	μA
Input "L" level current	IIL		VI=VSS	-10	-	+10	
Output "H" level voltage	VOH2	SYSRDY, JTAG_TDO	IOH=-2mA	VDD33-0.4	-	-	V
Output "L" level voltage	VOL2	GPIO0-3, GPIO5-20	IOL=2mA	-	-	0.4	
Output "H" level voltage	VOH4	SCL, SDA, GPIO4	IOH=-4mA	VDD33-0.4	-	-	
Output "L" level voltage	VOL4		IOL=4mA	-	-	0.4	
Output leakage current	IOZ	GPIO0-20,SCL, SDA	VO=Hi_z	-10	-	+10	μA

Table.5 DC Characteristics (Analog Block)

Ta = 25°C, AVDD33 = 3.3V, AVSS = 0V

MIC amp circuit (Analog input)								
Parameter	Symbol	Pins	Conditions	Min	Typ	Max	Unit	
Input resistance	MIC_Rin	MIC0IN, MIC1IN, MIC0COM, MIC1COM	Gain = 0dB		52.8		KΩ	
			Gain = 27dB		5.34		KΩ	
Input voltage	MIC_Vin		Gain = 0dB Single end input				0.85AVDD33	Vp-p
			Gain = 0dB Differential input				0.425AVDD33	Vp-p
MIC amp gain	MIC_gain	MIC_GAIN=111b			30		dB	
		MIC_GAIN=110b			27		dB	
		MIC_GAIN=101b			24		dB	
		MIC_GAIN=100b			21		dB	
		MIC_GAIN=011b			18		dB	
		MIC_GAIN=010b			15		dB	
		MIC_GAIN=001b			12		dB	
		MIC_GAIN=000b			0		dB	

MIC bias circuit							
Parameter	Symbol	Pin Name	Conditions	Min	Typ	Max	Unit
MIC bias output voltage	MIC_Vbias	MICBIAS	AVDD = 3.3V		2.31		V
MIC bias output current	MIC_Ibias		@RL = 5KΩ			20	mA

ADC Block (MIC0IN / MIC1IN / MIC0COM / MIC1COM → MICAMP → ADC → SO0 / SO1(PCM-I/F))							
Parameter	Symbol	Pins	Conditions	Min	Typ	Max	Unit
Resolution	ADC_RES			-	24	-	bit
S/N	ADC_SNR		MIC_GAIN=0dB A-weighted	85	90	-	dB
			MIC_GAIN=27dB A-weighted	75	80	-	dB
Dynamic Range	ADC_DR		MIC_GAIN=0dB A-weighted	85	90	-	dB
			MIC_GAIN=27dB A-weighted	75	80	-	dB
THD+N	ADC_THD+N	MIC_GAIN=0dB	-	-86	-75	dB	
		MIC_GAIN=27dB	-	-76	-72	dB	
Inter channel Isolation	ADC_ISO	MIC_GAIN=0dB	-	-100	-90	dB	
		MIC_GAIN=27dB	-	-90	-80	dB	

DAC Block							
Parameter	Symbol	Pins	Condition	Min	Typ	Max	Unit
Resolution	DAC_RES			-	24	-	bit
S/N	DAC_SNR		A-weighted	85	90	-	dB
Dynamic Range	DAC_DR		A-weighted	85	90	-	dB
THD+N	DAC_THD+N			-	-86	-75	dB
Inter channel isolation	DAC_ISO		f=1KHz	-	-90	-85	dB
Output Voltage	DAC_VO			-	-	0.85AVDD33	Vp-p
Output load resistance	DAC_RL			10	-	-	KΩ
Output load capacity	DAC_CL			-	-	30	pF

Analog Block Reference Voltage Generator Circuit							
Parameter	Symbol	Pins	Condition	Min	Typ	Max	Unit
Reference voltage	VREF	VREF		-	1.65	-	V
Startup time (*)	ST		C=10μF	-	80	-	ms

(*) The definition of Startup time is the time VREF output reach 98% of reference voltage (= 0.98AVDD33/2) from power down release.

LC703200AW

(4) Current Consumption

Table.6 Current consumption

Ta= -30°C to +70°C, VDD33 = XDD33 = AVDD33 = 3.0V to 3.6V, VDD15 = 1.35V to 1.65V, VSS = XVSS = AVSS = 0V

Parameter	Symbol	Conditions	Min	Typ	Max	Unit
Standby current (*)	IDDS	Sum of VDD33, XVDD33, VDD15, AVDD33, PLLAVDD		10		μA
Current consumption(**)	IDD15D	Digital 1.5V for Logic		24		mA
	IDD15A	Analog 1.5V for PLL		1		mA
	IDD33D	Digital 3.3V for IO, XVDD		1		mA
	IDD33A	Analog 3.3V		14		mA
	IDD	Total		40		mA

(*) Both oscillation and PLL halt

(**) The value is example that the LSI executes noise cancel processing at 50MHz system clock.

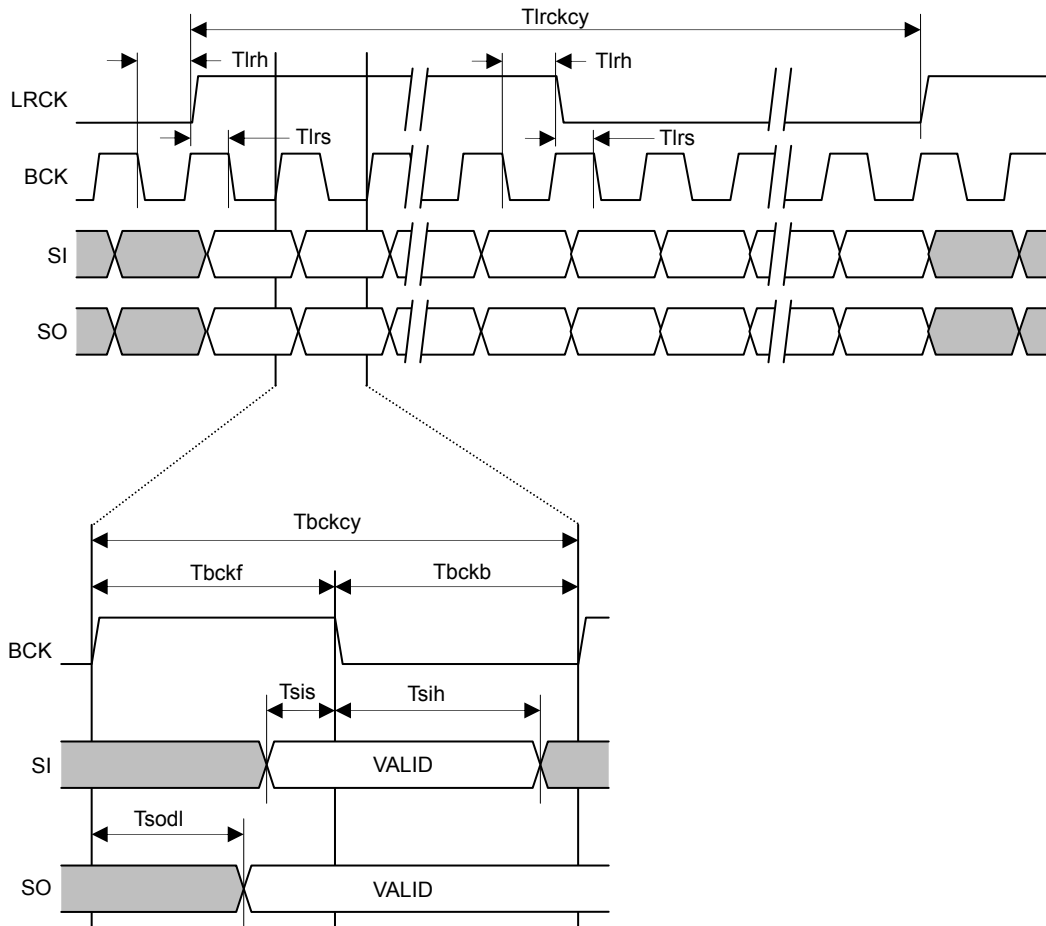
LC703200AW

PCM format

Parameter	Symbol	Min	Typ	Max	Unit
LRCK period	Tlrckcy	-	1/Fs	-	nS
LRCK setup time	Tlrs	3Tsys+2	-	-	nS
LRCK hold time	Tlrh	Tsys+2	-	-	nS
BCK period	Tbckcy	-	1/(32Fs) or 1/(64Fs)	-	nS
BCK period(1 st half)	Tbckf	3Tsys	-	-	nS
BCK period(2 nd half)	Tbckb	3Tsys	-	-	nS
SI setup time	Tsis	15	-	-	nS
SI hold time	tsih	2Tsys+5	-	-	nS
SO delay	Tsodl	2Tsys+29	-	-	nS

*) Tsys is system clock frequency.

*) Fs is sampling frequency.



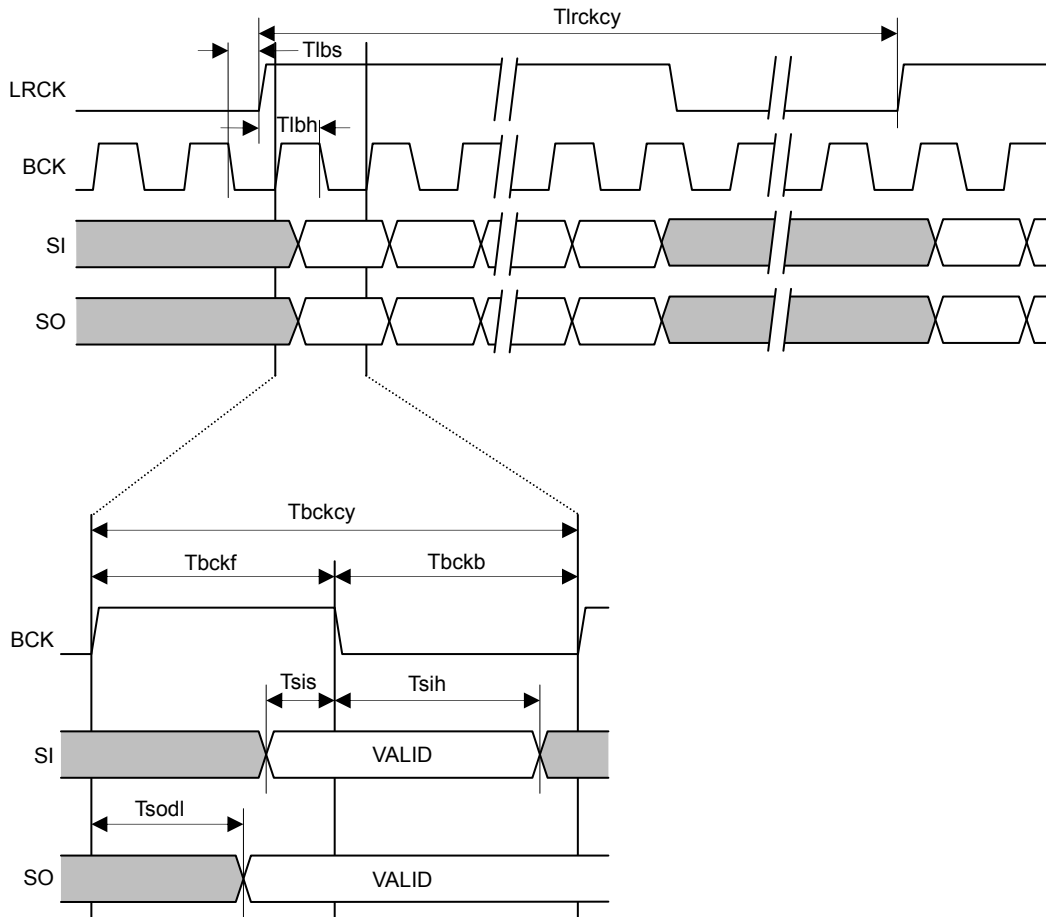
LC703200AW

Long flame synchronous format

Parameter	Symbol	Min	Typ	Max	Unit
LRCK period	Tlrckcy	-	1/Fs	-	nS
LRCK setup time	Tlrs	3Tsys+2	-	-	nS
LRCK hold time	Tlrh	Tsys+2	-	-	nS
BCK period	Tbckcy	-	1/(32Fs) or 1/(64Fs)	-	nS
BCK period (1 st half)	Tbckf	3Tsys	-	-	nS
BCK period (2 nd half)	Tbckb	3Tsys	-	-	nS
SI setup time	Tsis	15	-	-	nS
SI hold time	tsih	2Tsys+5	-	-	nS
SO delay	Tsodl	2Tsys+29	-	-	nS

*) Tsys is system clock frequency.

*) Fs is sampling frequency.



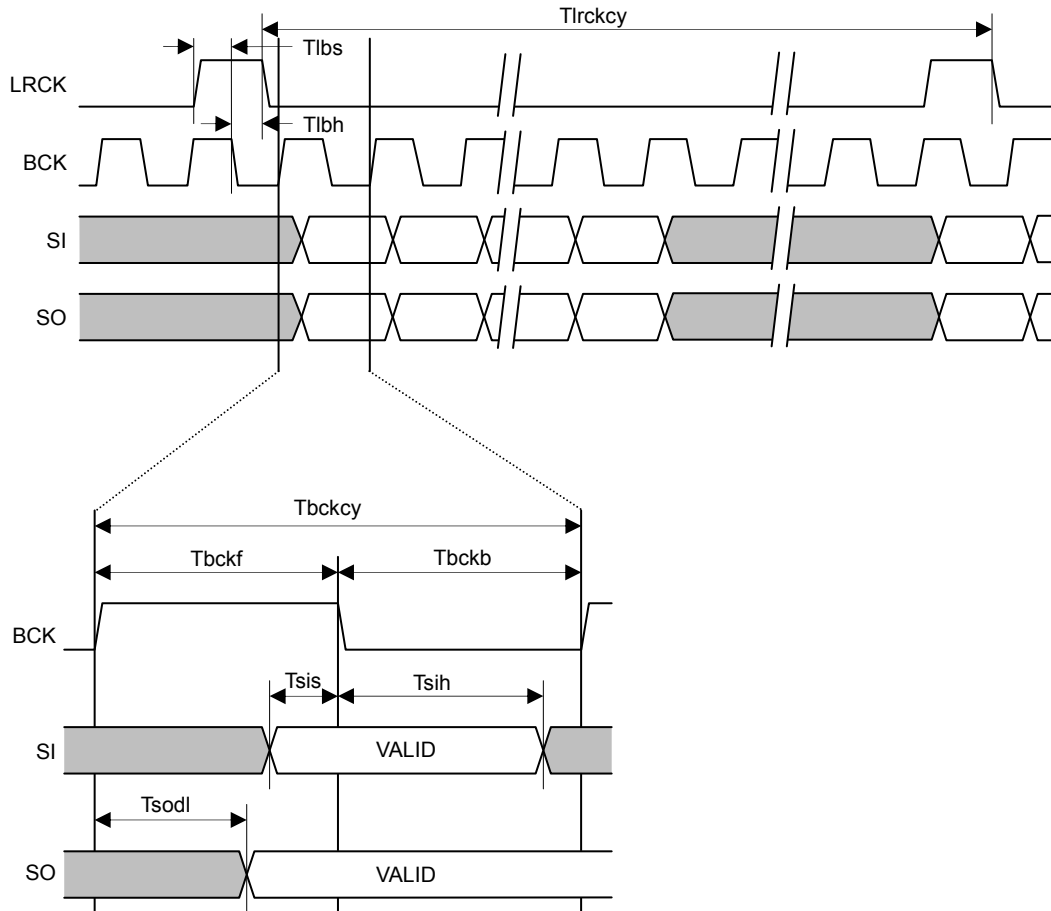
LC703200AW

Short frame synchronous format

Parameter	Symbol	Min	Typ	Max	Unit
LRCK period	Tlrckcy	-	1/Fs	-	nS
LRCK setup time	Tlrs	3Tsys+2	-	-	nS
LRCK hold time	Tlrh	Tsys+2	-	-	nS
BCK period	Tbckcy	-	1/(32Fs) or 1/(64Fs)	-	nS
BCK period (1 st half)	Tbckf	3Tsys	-	-	nS
BCK period (2 nd half)	Tbckb	3Tsys	-	-	nS
SI setup time	Tsis	15	-	-	nS
SI hold time	tsih	2Tsys+5	-	-	nS
SO delay	Tsodl	2Tsys+29	-	-	nS

*) Tsys is system clock frequency.

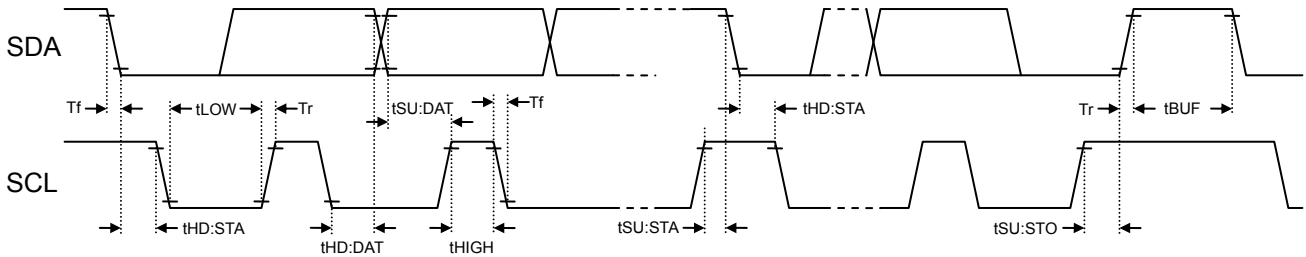
*) Fs is sampling frequency.



LC703200AW

(2) I²C Interface

Parameter	Symbol	Standard mode		Fast mode		Unit
		Min	Max	Min	Max	
SCL frequency	fSCL	0	100	0	400	kHz
Hold time (repeated) START condition	tHD;STA	4.0	-	0.6	-	μS
Low period of SCL clock	tLOW	4.7	-	1.3	-	μS
High period of SCL clock	tHIGH	4.0	-	0.6	-	μS
Setup time for a repeated Start condition	tSU;STA	4.7	-	0.6	-	μS
Data hold time	tHD;DAT	0	3.45	0	0.9	μS
Data setup time	tSU;DAT	250	-	100	-	nS
Rise time of both SDA and SCL signals	Tr	-	1000	-	300	nS
Fall time of both SDA and SCL signals	Tf	-	300	-	300	nS
Setup time for STOP condition	tSU;STO	4.0	-	0.6	-	μS
Bus free time between a STOP and START condition	tBUF	4.7	-	1.3	-	μS

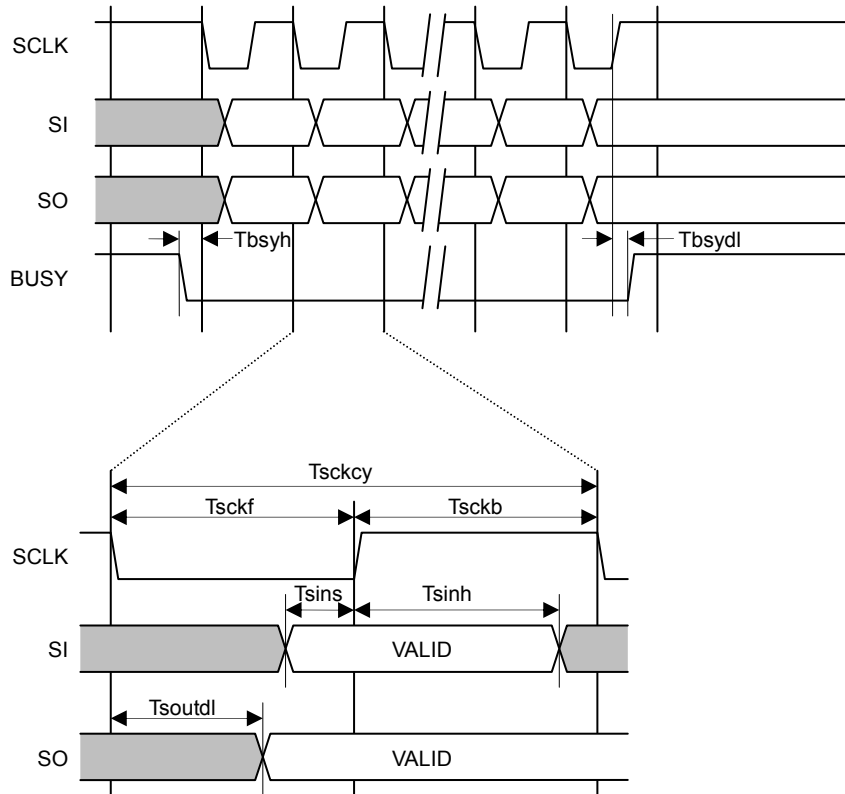


LC703200AW

(3) SIO Interface

Parameter	Symbol	Min	Typ	Max	Unit
SCLK period	Tsckcy	8Tsys	-	-	nS
SCLK period (1 st half)	Tsckf	3Tsys	-	-	nS
SCLK period (2 nd half)	Tsckb	3Tsys	-	-	nS
SI setup time	Tsins	0	-	-	nS
SI hold time	Tsinh	2Tsys+5	-	-	nS
SO delay	Tsoutdl	-	-	2Tsys+27	nS
BUSY-SCLK hold time	Tbsyh	0	-	-	nS
BUSY output delay	Tbsydl	-	-	2Tsys+27	nS

*) Tsys is system clock period.



LC703200AW

(4) Timer (MTM)

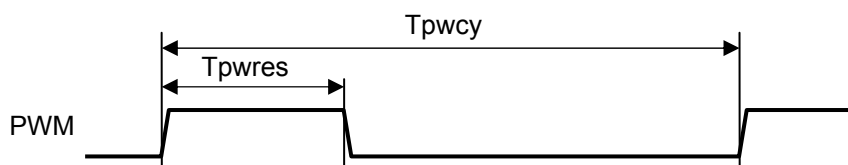
Parameter	Symbol	Min	Typ	Max	Unit
Timer resolution	Ttmres	3Tmtm	-	65536Tmtm	nS
Timer period	Tleng	Ttmres	-	65536Ttmres	nS

*) Tmtm is MTM clock period and selectable between OSC clock and PLL clock.

(5) PWM (MTM)

Parameter	Symbol	Min	Typ	Max	Unit
PWM resolution	Tpwres	3Tmtm	-	65536Tmtm	nS
PWM period	Tpwcy	Tpwres	-	65536Tpwres	nS

*) Tmtm is MTM clock period and selectable between OSC clock and PLL clock.



(6) Timer (PTM)

Parameter	Symbol	Min	Typ	Max	Unit
Timer resolution	Tptres	Tosc	-	8Tosc	nS
Timer period	Tptcy	Tptres	-	65536Tptres	nS

*) Tosc is OSC clock period.

(7) WDT

Parameter	Symbol	Min	Typ	Max	Unit
WDT period	Twdcy	131072Tosc	-	268435456Tosc	nS

*) Tosc is OSC clock period.

(8) System clock/Reset

Table.7 System clock

VDD = XVDD = 3.0V to 3.6V, VSS = XVSS = 0V, Ta = -30°C to +70°C

Parameter	Symbols	Condition	Min	Typ	Max	Unit
Oscillation frequency	fop		-	8.192 11.2896 12.288	-	MHz

*) Recommended Oscillator

Murata Manufacturing Co., Ltd.

CERALOCK® : CSTCE8M19G55-R0 (8.192MHz)

CSTCE11M2896G55-R0 (11.2896MHz)

CSTCE12M288G55-R0 (12.288MHz)

Table.8 System clock and sampling frequency

Relationship between system clock and sampling frequency

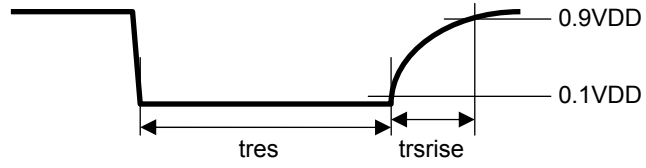
System clock (MHz)	Sampling frequency (KHz)			comment
8.192	32	16	8	
11.2896	44.1	22.05	11.025	
12.288	48	24	12	

LC703200AW

Table.9 Reset

VDD = XVDD = 3.0V to 3.6V, VSS = XVSS = 0V, Ta = -30°C to 70°C

Parameter	Symbol	Min	Typ	Max	Unit
Hold time of Reset	tres	500	-	-	μs
Rising time of Reset	trsrise	1			mS



Power Supply

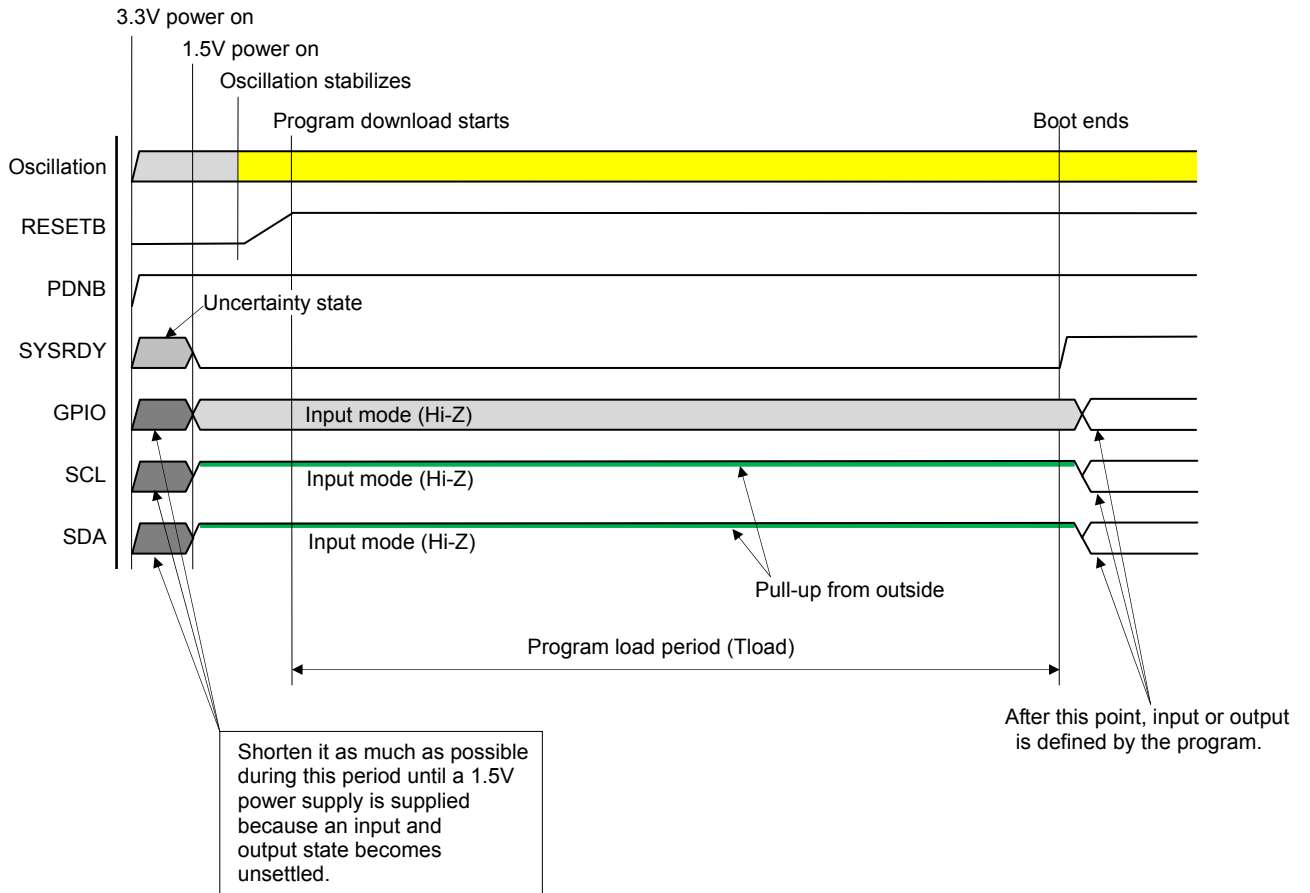
LC703200AW has a power supply of two kinds of voltage of 3.3V and 1.5V, and it is necessary to maintain the following power requirement to power on / off.

Power requirement

- The power supply to belong to same voltage system start supply at the same time.
 - 3.3V power supply: AVDD33, XVDD33, VDD33
 - 1.5V power supply: AVDD15, VDD15
- The voltage of the power supply of the 3.3V preventing you from being less than the voltage of the power supply of the 1.5V under any circumstance.
 - Specialy, when the power supply on / off, be careful the period of the voltage rise / fall.
- Reducing time difference as much as possible when I make time difference between voltage system and perform power supply on / off.
 - Listing not to intend may affect the external circuit without the state (input /"L" listing /"H" listing) of a terminal (GPIO, SCL, SDA) having an input and output function being settled because 1.5V system is a state of non-supply after a setup in 3.3V system, and a system reset signal does not arrive at it inside.

Startup sequence

LC703200AW starts a program stored away by built-in flash memory after download in program memory. Each terminal pin state sequence at the time of the start is a street of the chart belows.



*) It is as follows during the period required for a program road.

$$T_{load} = \frac{2384 + \text{word} * 706}{\text{OSC} * 1000}$$

Tload : Program load period [mS]

word : Program size [word length]

OSC : Oscillation frequency [MHz]

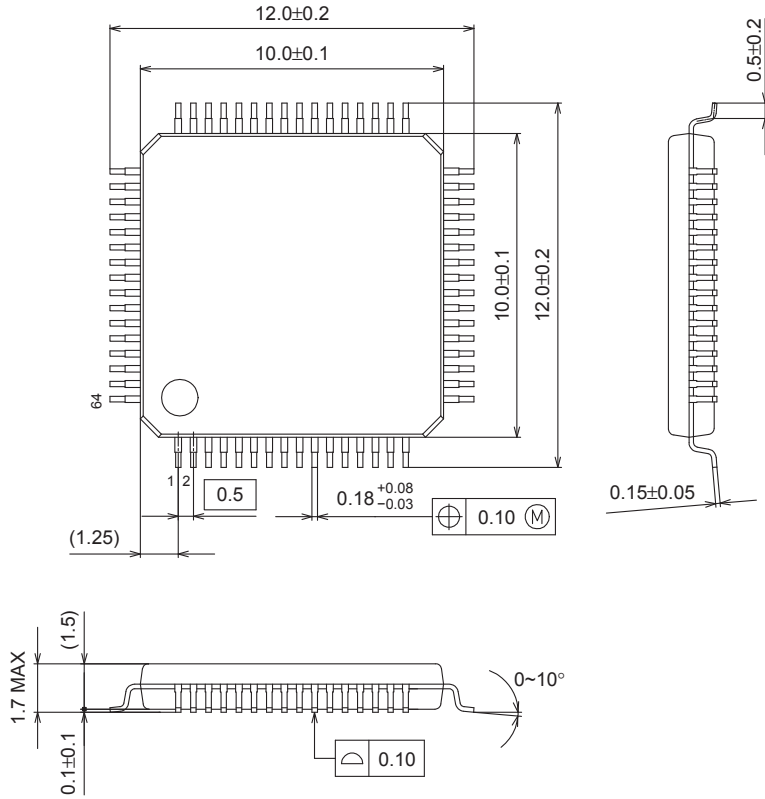
(1word length = 40bit)

LC703200AW

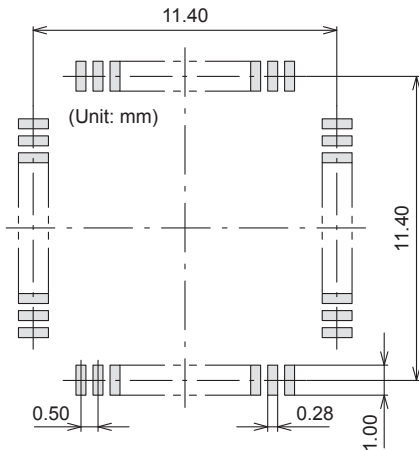
Package Dimensions

unit : mm

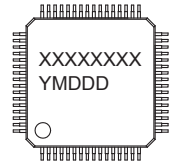
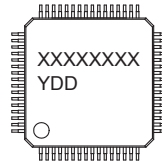
SPQFP64 10x10 / SQFP64
CASE 131AK
ISSUE A



SOLDERING FOOTPRINT*



GENERIC MARKING DIAGRAM*



XXXXXX = Specific Device Code
Y = Year
DD = Additional Traceability Data

XXXXXX = Specific Device Code
Y = Year
M = Month
DDD = Additional Traceability Data

*This information is generic. Please refer to device data sheet for actual part marking. Pb-Free indicator, "G" or microdot "▪", may or may not be present.

NOTE: The measurements are not to guarantee but for reference only.

*For additional information on our Pb-Free strategy and soldering details, please download the ON Semiconductor Soldering and Mounting Techniques Reference Manual, SOLDERRM/D.

LC703200AW

ORDERING INFORMATION

Device	Package	Shipping (Qty / Packing)
LC703200AW-8C99-H	SPQFP64 10x10 / SQFP64 (Pb-Free / Halogen Free)	500 / Tray Foam

ON Semiconductor and the ON logo are registered trademarks of Semiconductor Components Industries, LLC (SCILLC). SCILLC owns the rights to a number of patents, trademarks, copyrights, trade secrets, and other intellectual property. A listing of SCILLC's product/patent coverage may be accessed at www.onsemi.com/site/pdf/Patent-Marking.pdf. SCILLC reserves the right to make changes without further notice to any products herein. SCILLC makes no warranty, representation or guarantee regarding the suitability of its products for any particular purpose, nor does SCILLC assume any liability arising out of the application or use of any product or circuit, and specifically disclaims any and all liability, including without limitation special, consequential or incidental damages. "Typical" parameters which may be provided in SCILLC data sheets and/or specifications can and do vary in different applications and actual performance may vary over time. All operating parameters, including "Typicals" must be validated for each customer application by customer's technical experts. SCILLC does not convey any license under its patent rights nor the rights of others. SCILLC products are not designed, intended, or authorized for use as components in systems intended for surgical implant into the body, or other applications intended to support or sustain life, or for any other application in which the failure of the SCILLC product could create a situation where personal injury or death may occur. Should Buyer purchase or use SCILLC products for any such unintended or unauthorized application, Buyer shall indemnify and hold SCILLC and its officers, employees, subsidiaries, affiliates, and distributors harmless against all claims, costs, damages, and expenses, and reasonable attorney fees arising out of, directly or indirectly, any claim of personal injury or death associated with such unintended or unauthorized use, even if such claim alleges that SCILLC was negligent regarding the design or manufacture of the part. SCILLC is an Equal Opportunity/Affirmative Action Employer. This literature is subject to all applicable copyright laws and is not for resale in any manner.



Компания «ЭлектроПласт» предлагает заключение долгосрочных отношений при поставках импортных электронных компонентов на взаимовыгодных условиях!

Наши преимущества:

- Оперативные поставки широкого спектра электронных компонентов отечественного и импортного производства напрямую от производителей и с крупнейших мировых складов;
- Поставка более 17-ти миллионов наименований электронных компонентов;
- Поставка сложных, дефицитных, либо снятых с производства позиций;
- Оперативные сроки поставки под заказ (от 5 рабочих дней);
- Экспресс доставка в любую точку России;
- Техническая поддержка проекта, помощь в подборе аналогов, поставка прототипов;
- Система менеджмента качества сертифицирована по Международному стандарту ISO 9001;
- Лицензия ФСБ на осуществление работ с использованием сведений, составляющих государственную тайну;
- Поставка специализированных компонентов (Xilinx, Altera, Analog Devices, Intersil, Interpoint, Microsemi, Aeroflex, Peregrine, Syfer, Eurofarad, Texas Instrument, Miteq, Cobham, E2V, MA-COM, Hittite, Mini-Circuits, General Dynamics и др.);

Помимо этого, одним из направлений компании «ЭлектроПласт» является направление «Источники питания». Мы предлагаем Вам помощь Конструкторского отдела:

- Подбор оптимального решения, техническое обоснование при выборе компонента;
- Подбор аналогов;
- Консультации по применению компонента;
- Поставка образцов и прототипов;
- Техническая поддержка проекта;
- Защита от снятия компонента с производства.



Как с нами связаться

Телефон: 8 (812) 309 58 32 (многоканальный)

Факс: 8 (812) 320-02-42

Электронная почта: org@eplast1.ru

Адрес: 198099, г. Санкт-Петербург, ул. Калинина, дом 2, корпус 4, литера А.