



SANYO Semiconductors

DATA SHEET

An ON Semiconductor Company

LV8762T — Bi-CMOS LSI Forward/Reverse H-bridge Driver

Overview

The LV8762T is an 1ch H-bridge driver that can control four operation modes (forward, reverse, brake, and standby) of a motor. The IC is optimal for use in driving brushed DC motors for office equipment.

Features

- Forward/reverse H-bridge motor driver: 1 channel
- Built-in current limiter
- Built-in thermal protection circuit
- Single power supply
- Built-in short-circuit protection function (selectable from latch-type or auto reset-type).
- $I_{Omax} = 1A$
- Current limit mask function
- Alert signal output

Specifications

Absolute Maximum Ratings at $T_a = 25^\circ C$

Parameter	Symbol	Conditions	Ratings	Unit
Supply voltage	V_M max		36	V
Output peak current	I_O peak	$t_w \leq 10ms$, duty 20%	1.5	A
Output continuous current	I_O max		1.0	A
Logic input voltage	V_{IN} max		-0.3 to +6	V
EMO pin input voltage	V_{EMO}		-0.3 to +6	V
Allowable power dissipation	P_d max	Mounted on a specified board. *	1.4	W
Operating temperature	T_{opr}		-20 to +85	$^\circ C$
Storage temperature	T_{stg}		-55 to +150	$^\circ C$

* Specified circuit board : 57mm×57mm×1.6mm, glass epoxy both-type board.

■ Any and all SANYO Semiconductor Co.,Ltd. products described or contained herein are, with regard to "standard application", intended for the use as general electronics equipment (home appliances, AV equipment, communication device, office equipment, industrial equipment etc.). The products mentioned herein shall not be intended for use for any "special application" (medical equipment whose purpose is to sustain life, aerospace instrument, nuclear control device, burning appliances, transportation machine, traffic signal system, safety equipment etc.) that shall require extremely high level of reliability and can directly threaten human lives in case of failure or malfunction of the product or may cause harm to human bodies, nor shall they grant any guarantee thereof. If you should intend to use our products for applications outside the standard applications of our customer who is considering such use and/or outside the scope of our intended standard applications, please consult with us prior to the intended use. If there is no consultation or inquiry before the intended use, our customer shall be solely responsible for the use.

■ Specifications of any and all SANYO Semiconductor Co.,Ltd. products described or contained herein stipulate the performance, characteristics, and functions of the described products in the independent state, and are not guarantees of the performance, characteristics, and functions of the described products as mounted in the customer's products or equipment. To verify symptoms and states that cannot be evaluated in an independent device, the customer should always evaluate and test devices mounted in the customer's products or equipment.

SANYO Semiconductor Co., Ltd.

<http://semicon.sanyo.com/en/network>

LV8762T

Allowable Operating Ratings at Ta = 25°C

Parameter	Symbol	Conditions	Ratings	Unit
Supply voltage range	VM		9 to 32	V
VREF input voltage	VREF		0 to 3	V
Logic input voltage	V _{IN}		0 to 5.5	V

Electrical Characteristics at Ta = 25°C, VM = 24V, VREF = 1.5V

Parameter	Symbol	Conditions	Ratings			Unit
			min	typ	max	
General						
Standby mode current drain	IMst	ST = "L"		100	400	μA
Operating mode current drain	IM	ST = "H", IN1 = "H", IN2 = "L", with no load		3	5	mA
REG5 output voltage	VREG	I _O = -1mA	4.5	5	5.5	V
Thermal shutdown temperature	TSD	Design guarantee *	150	180	200	°C
Thermal hysteresis width	ΔTSD	Design guarantee *		40		°C
Output block						
Output on resistance	RonU	I _O = 1A, upper side ON resistance		0.75	0.97	Ω
	RonD	I _O = -1A, under side ON resistance		0.5	0.65	Ω
Output leakage current	I _{Oleak}	V _O = 32V			50	μA
Diode forward voltage	VD	ID = -1A		1.2	1.4	V
Rising time	tr	10% to 90%		100	200	ns
Falling time	tf	90% to 10%		100	200	ns
Input output delay time	tpLH	IN1 to OUTA, IN2 to OUTB (L → H)		550	750	ns
	tpHL	IN1 to OUTA, IN2 to OUTB (H → L)		550	750	ns
Control system input block						
Logic pin input H-level voltage	V _{INH}		2.0			V
Logic pin input L-level voltage	V _{INL}				0.8	V
Logic pin input current 1	I _{INL}	V _{IN} = 0.8V	4	8	12	μA
	I _{INH}	V _{IN} = 5V	30	50	70	μA
VREF input current	IREF	VREF = 1.5V	-0.5			μA
Current limit comparator threshold voltage	V _{tlim}	VREF = 1.5V	0.291	0.3	0.309	V
CHOP pin charge current	I _{CHOP}		-6.5	-5	-3.5	μA
CHOP pin threshold voltage	V _{tCHOP}		0.8	1	1.2	V
CMK pin charge current	I _{CMK}		-32.5	-25	-17.5	μA
CMK pin threshold voltage	V _{tCMK}		1.2	1.5	1.8	V
Charge pump block						
Step-up voltage	VGH	VM = 24V	27.7	28.7	29.7	V
Rising time	t _{ONG}	VG = 0.1μF		250	550	μs
Oscillation frequency	F _{cp}		90	125	155	kHz
Short-circuit protection block						
EMO output saturation voltage	V _{EMO}	I _{EMO} = 1mA			0.4	V
SCP pin charge current	I _{SCP}	SCP = 0V	-6.5	-5	-3.5	μA
Comparator threshold voltage	V _{tSCP}		0.8	1	1.2	V

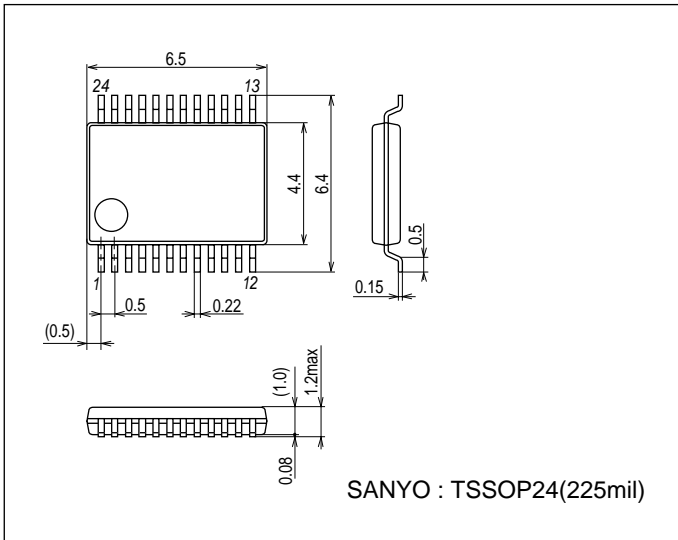
* Design guarantee value and no measurement is made.

LV8762T

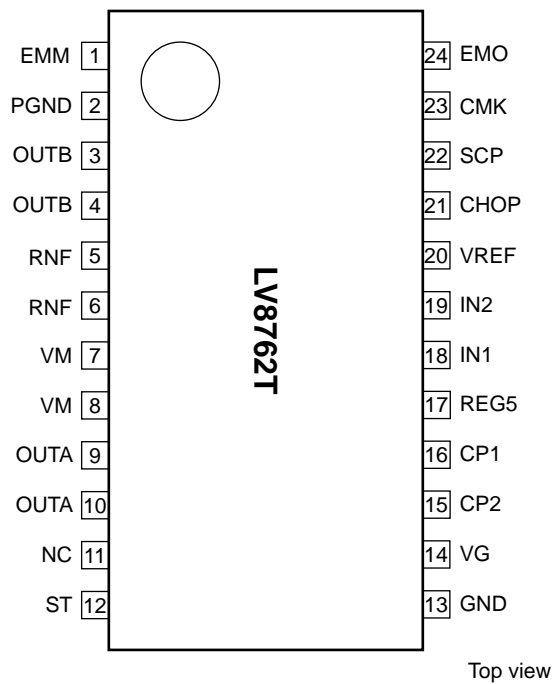
Package Dimensions

unit : mm (typ)

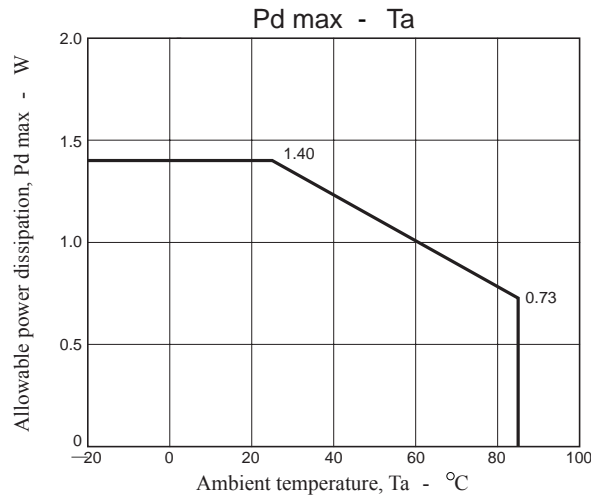
3260A



Pin Assignment

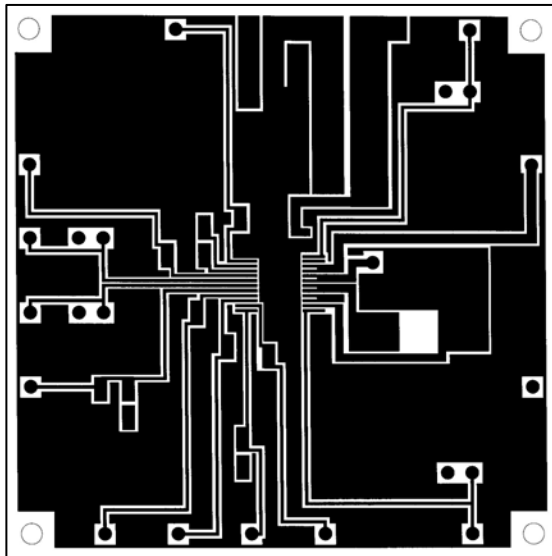


LV8762T

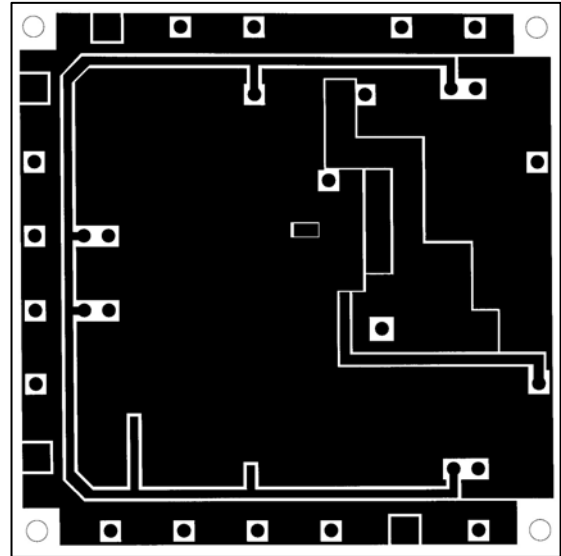


Substrate Specifications (Substrate recommended for operation of LV8762T)

Size : 57mm × 57mm × 1.6mm (two-layer substrate)
Material : Glass epoxy both-type board



L1 : Copper wiring pattern diagram

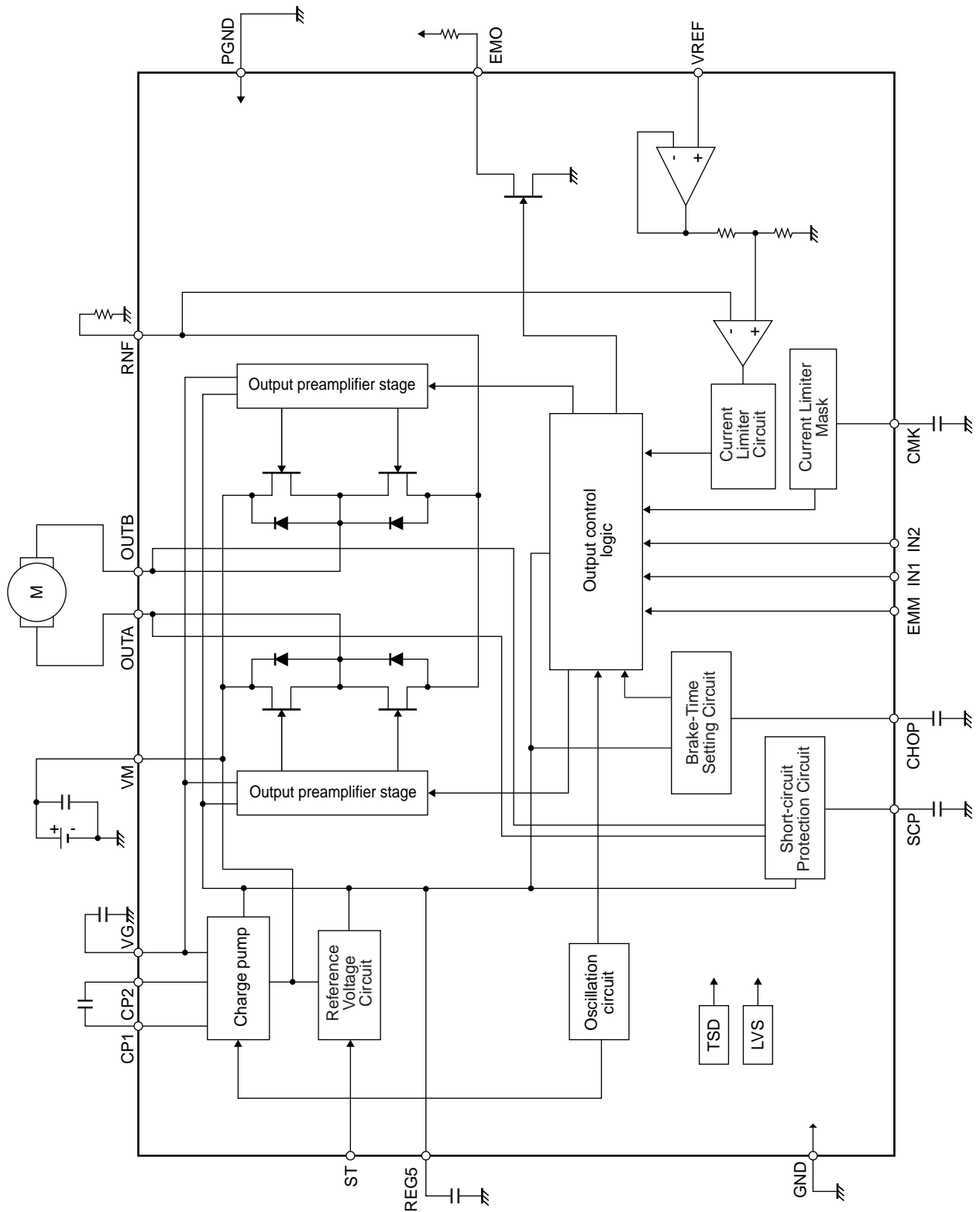


L2 : Copper wiring pattern diagram

Cautions

- 1) For the set design, employ the derating design with sufficient margin.
Stresses to be derated include the voltage, current, junction temperature, power loss, and mechanical stresses such as vibration, impact, and tension.
Accordingly, the design must ensure these stresses to be as low or small as possible.
The guideline for ordinary derating is shown below :
 - (1)Maximum value 80% or less for the voltage rating
 - (2)Maximum value 80% or less for the current rating
 - (3)Maximum value 80% or less for the temperature rating
- 2) After the set design, be sure to verify the design with the actual product.
Confirm the solder joint state and verify also the reliability of solder joint for the Exposed Die-Pad, etc.
Any void or deterioration, if observed in the solder joint of these parts, causes deteriorated thermal conduction, possibly resulting in thermal destruction of IC.

Block Diagram



LV8762T

Pin Functions

Pin No.	Pin Name	Pin Function	Equivalent Circuit
18 19 1	IN1 IN2 EMM	Output control signal input pin 1. Output control signal input pin 2. Short protection mode setting.	
12	ST	Standby mode setting	
9, 10 3, 4 7, 8 5, 6 2	OUTA OUTB VM RNF PGND	OUTA output pin. OUTB output pin. Motor power-supply connection pin. Current sense resistor connection pin. Power ground.	
14 8 16 15	VG VM CP1 CP2	Charge pump capacitor connection pin. Motor power-supply connection pin. Charge pump capacitor connection pin. Charge pump capacitor connection pin.	

Continued on next page.

LV8762T

Continued from preceding page.

Pin No.	Pin Name	Pin Function	Equivalent Circuit
20	VREF	Reference voltage input pin for output current limit setting.	
17	REG5	Internal reference voltage output pin.	
24	EMO	Alert signal output	
21 22	CHOP SCP	Capacitor connection for current limit break time setting Capacitor connection for short detection time setting	
23	CMK	Capacitor connection for current limit mask setting	

DC Motor Driver

1. Standby function

This can switch the standby – operation mode by setting the ST pin.

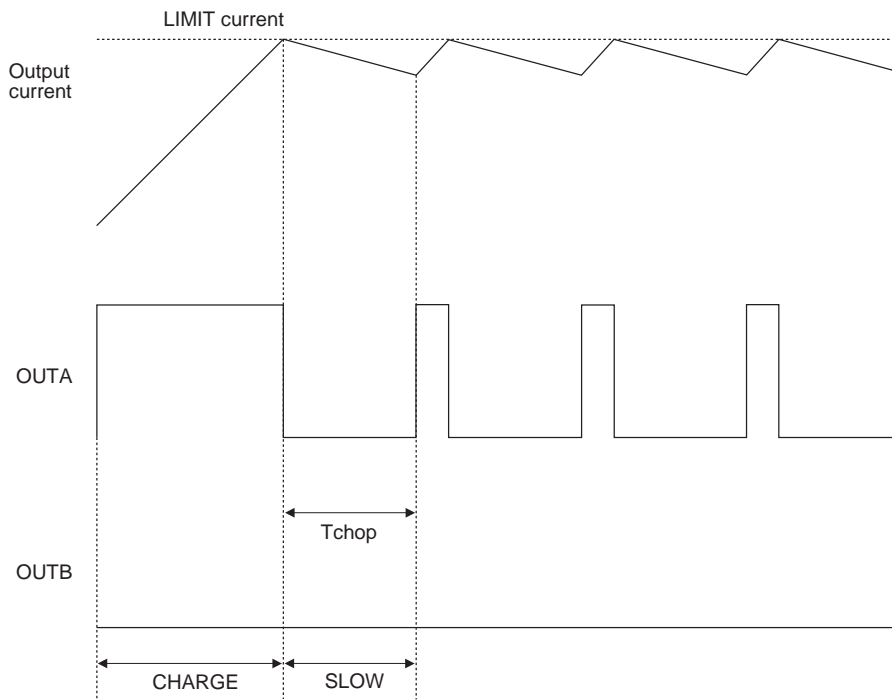
On standby-mode, all logic circuit is reset, internal regulator is off, internal charge-pump is off.

ST	mode	5V regulator	charge pump
"L" or OPEN	standby mode	standby	standby
"H"	operation mode	on	on

2. DCM output control logic

Control Input			Output		Mode
ST	IN1	IN2	OUTA	OUTB	
L	*	*	OFF	OFF	Standby
H	L	L	OFF	OFF	Output OFF
H	H	L	H	L	CW (forward)
H	L	H	L	H	CCW (reverse)
H	H	H	L	L	Brake

3. Current limit control timing chart



4. Setting the time of current limit brake value

This IC can set the time of the current limit brake by connecting the capacitor with CHOP-GND.

The value of the capacitor is decided according to the following expression.

$$\text{brake time: } T_{\text{CHOP}} \approx C_{\text{CHOP}} \times V_{\text{tCHOP}} \div I_{\text{CHOP}} [\text{sec}]$$

V_{tCHOP} : CHOP comparator threshold voltage. TYP=1.0[V]
 I_{CHOP} : CHOP charge current. TYP=5[μA]

ex. $C_{\text{chop}}=50[\text{pF}]$

$$T_{\text{chop}}[\text{sec}] = 50[\text{pF}] \times 1.0[\text{V}] \div 5[\mu\text{A}] = 10[\mu\text{s}]$$

5. Setting the current limit value

The current limit value of the DCM driver is determined by the VREF voltage and the resistance (RNF) connected across the RNF and GND pins using the following formula :

$$I_{\text{limit}} [\text{A}] \approx (\text{VREF} [\text{V}] \div 5) \div \text{RNF} [\Omega]$$

Assuming VREF = 1.5V, RNF = 1Ω, the current limit is :

$$I_{\text{limit}} = 1.5\text{V} \div 5 \div 1\Omega = 0.3\text{A}$$

6. Setting the mask of current limit

CMK	mask of current limit
"L"	no operation
"H" or OPEN	operation

This function can be switched by CMK pin.

This function can prevent the current limit from working by the motor start-up current when the current limit value is set low.

7. Setting the time of the mask of current limit

This IC can set the time of the mask of current limit by connection the capacitor with CMK-GND.

The value of the capacitor is decided according to the following expression.

$$\text{Time of mask: } T_{\text{CMK}} \approx C_{\text{CMK}} \times V_{\text{tCMK}} \div I_{\text{CMK}} [\text{sec}]$$

V_{tCMK} : CMK comparator threshold voltage. TYP=1.0[V]

I_{CMK} : CMK charge current. TYP=25[μA]

ex. $C_{\text{CMK}}=0.1[\mu\text{F}]$

$$T_{\text{CMK}}[\text{sec}] = 0.1[\mu\text{F}] \times 1.5[\text{V}] \div 25[\mu\text{A}] = 6[\text{ms}]$$

Output short-circuit protection function

This IC incorporates an output short-circuit protection circuit. It turns the output off to prevent destruction of the IC if a problem such as an output pin being shorted to the motor power supply or ground occurs. Then short-circuit detected, alert signal is assert to EMO pin.

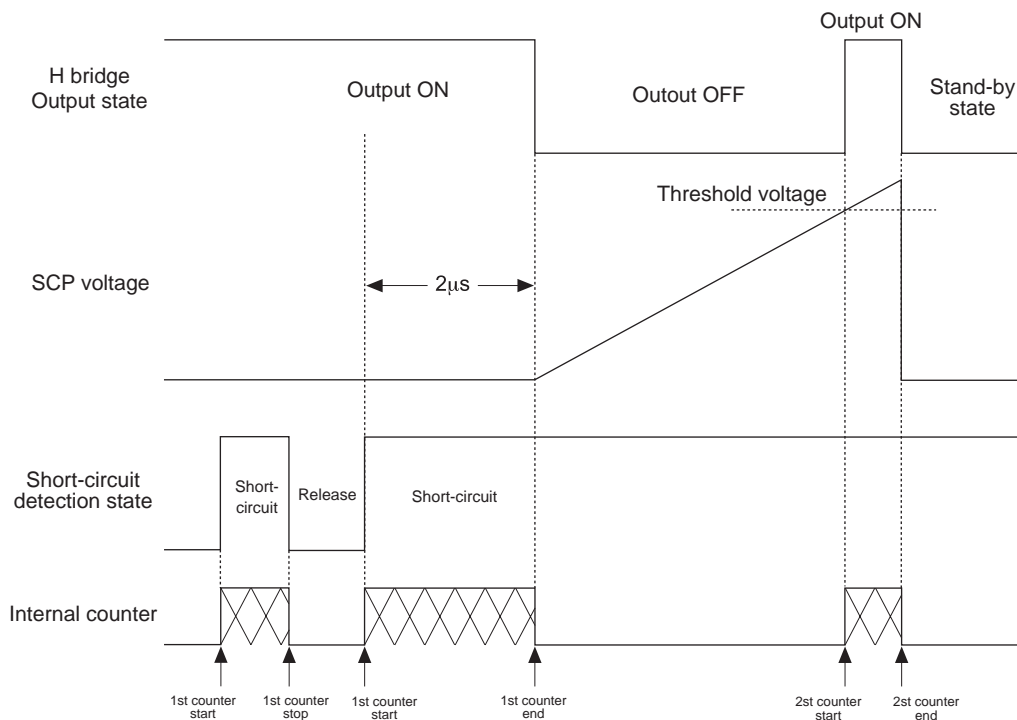
1. Output short protect mode

This function can be switched by EMM pin. EMM pin is L or OPEN then latch method, H then auto-retry method.

EMM Pin	Method
"L" or OPEN	Latch
"H"	Auto retry

2. Protection function operation (Latch method)

The short-circuit protection circuit is activated when it detects the output short-circuit state. If the short-circuit state continues for the internally preset period ($\approx 2\mu\text{s}$), the protection circuit turns off the output from which the short-circuit state has been detected. Then it turns the output on again after a lapse of the timer latch time (T_{SCP}) described later. If the short-circuit state is still detected, it changes all the outputs to the standby mode and retains the state. The latched state is released by setting the ST to L.



3. Protection function operation (Auto retry method)

In this mode, short-protection function try repeatedly to detecting short-circuit.

The short-circuit detection circuit operates when a short output is detected as well as the latch method. The output is switched to the standby mode when the operation of the short-circuit detection circuit exceeds time (T_{SCP}) of the timer latch, and it returns to the turning on mode again after 2ms(typ). At this time, the switching mode is repeated when is still in the overcurrent mode until the overcurrent mode is made clear.

4. Unusual Condition Warning Output Pin (EMO)

The LV8762T is provided with the EMO pin which notifies the CPU of an unusual condition if the protection circuit operates by detecting an abnormal condition of the IC. This pin is of the open-drain output type, and if abnormality is detected, the EMO output becomes (EMO=L) of on.

The EMO pin is placed in the ON state when one of the following conditions occurs.

1. Shorting-to-power or shorting-to-ground occurs at the output pin and the output short-circuit protection circuit is activated.
2. The IC junction temperature rises and the thermal protection circuit is activated.

5.Timer latch-up (T_{SCP})

The user can set the time at which the outputs are turned off when a short-circuit occurs by connecting a capacitor (C_{SCP}) across the SCP and GND pins. The value of the capacitor (C_{SCP}) can be determined by the following formula :

Timer latch-up : T_{SCP}

$$T_{SCP} \approx C_{SCP} \times V_{tSCP} \div I_{SCP} \text{ [sec]}$$

V_{tSCP} : Comparator threshold voltage (1V typical)

I_{SCP} : SCP charge current (5μA typical)

Thermal protection circuit

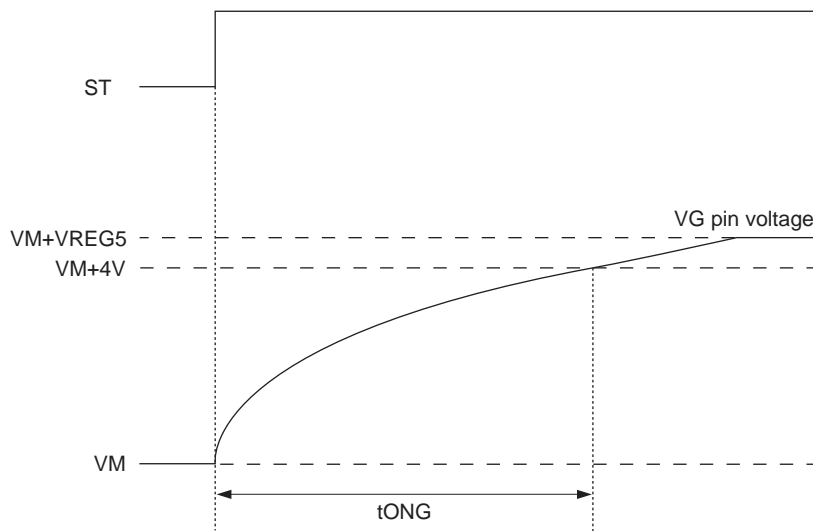
This IC incorporates an thermal protection circuit, and the output is turned off when junction temperature T_j exceeds 180°C, and the abnormal state output (EMO pin) is turned on at the same time. The output is driven again when temperature hysteresis falling (automatic restoration). The overheating protection circuit doesn't guarantee protection and the destruction prevention of the set because it becomes operation by the area where ratings T_{jmax}=150°C of the junction temperature were exceeded.

TSD = 180°C (typical)

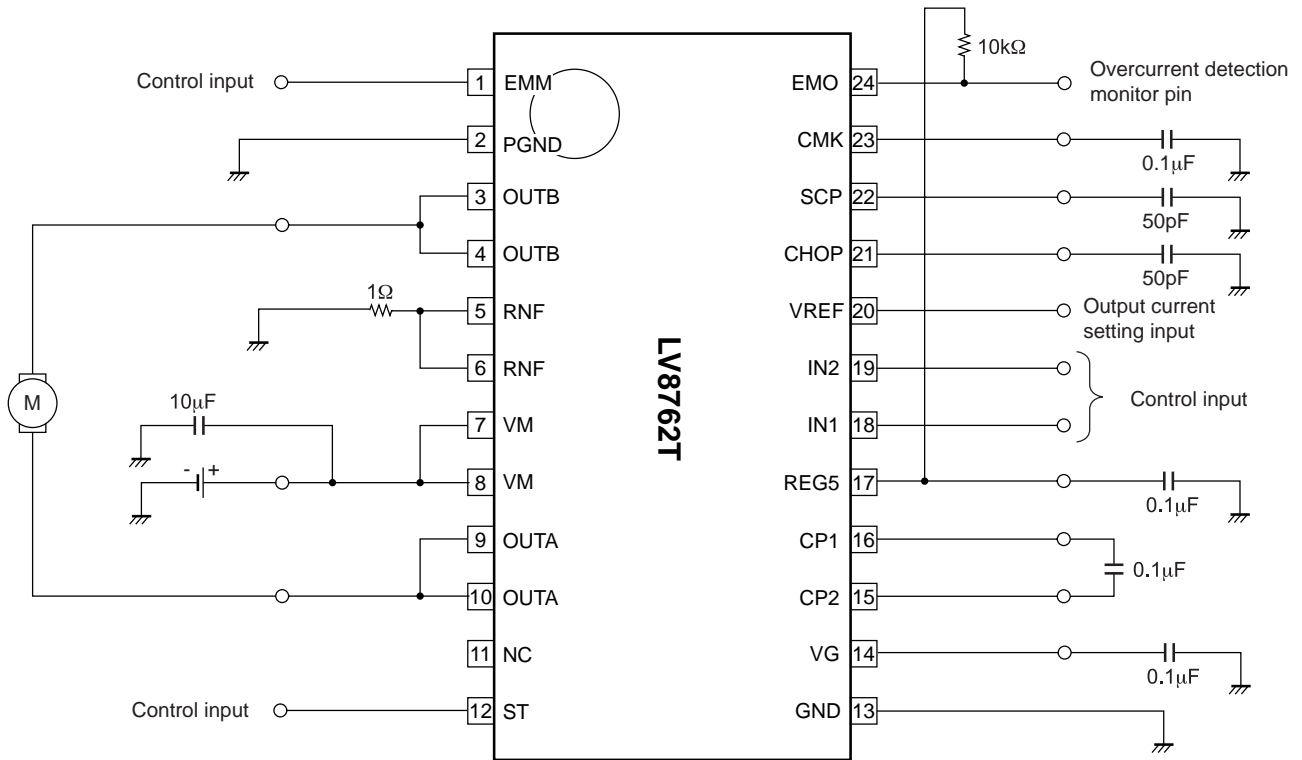
ΔTSD = 40°C (typical)

Charge pump

This IC makes “H” ST pin, and operate the charge pump circuit, and VG pin voltage step-up VM voltage to VM+REG5 voltage. Use it after the time of t_{ONG} or more passes when drives the motor. If it is not so, on-resistance cannot be secured.



Application Circuit Example



Current limit value

When $V_{REF} = 1.5V$,

$$I_{limit} = V_{ref} \div 5 \div R_{NF} \\ = 1.5V \div 5 \div 1\Omega = 0.3A$$

Setting the current limit regeneration time and short-circuit detection time

$$T_{SCP} \approx C_{SCP} \times V_{tSCP} \div I_{SCP} \\ = 50pF \times 1V \div 5\mu A = 10\mu s$$

Setting at current limit mask time

$$T_{CMK} \approx C_{CMK} \times V_{tCMK} \div I_{CMK} \\ = 0.1\mu F \times 1.5V \div 25\mu A = 6ms$$

Setting at current limit brake time

$$T_{CHOP} \approx C_{CHOP} \times V_{tCHOP} \div I_{CHOP} \\ = 50pF \times 1V \div 5\mu A = 10\mu s$$

* The external part constant is a reference value.

- SANYO Semiconductor Co.,Ltd. assumes no responsibility for equipment failures that result from using products at values that exceed, even momentarily, rated values (such as maximum ratings, operating condition ranges, or other parameters) listed in products specifications of any and all SANYO Semiconductor Co.,Ltd. products described or contained herein.
- SANYO Semiconductor Co.,Ltd. strives to supply high-quality high-reliability products, however, any and all semiconductor products fail or malfunction with some probability. It is possible that these probabilistic failures or malfunction could give rise to accidents or events that could endanger human lives, trouble that could give rise to smoke or fire, or accidents that could cause damage to other property. When designing equipment, adopt safety measures so that these kinds of accidents or events cannot occur. Such measures include but are not limited to protective circuits and error prevention circuits for safe design, redundant design, and structural design.
- In the event that any or all SANYO Semiconductor Co.,Ltd. products described or contained herein are controlled under any of applicable local export control laws and regulations, such products may require the export license from the authorities concerned in accordance with the above law.
- No part of this publication may be reproduced or transmitted in any form or by any means, electronic or mechanical, including photocopying and recording, or any information storage or retrieval system, or otherwise, without the prior written consent of SANYO Semiconductor Co.,Ltd.
- Any and all information described or contained herein are subject to change without notice due to product/technology improvement, etc. When designing equipment, refer to the "Delivery Specification" for the SANYO Semiconductor Co.,Ltd. product that you intend to use.
- Information (including circuit diagrams and circuit parameters) herein is for example only; it is not guaranteed for volume production.
- Upon using the technical information or products described herein, neither warranty nor license shall be granted with regard to intellectual property rights or any other rights of SANYO Semiconductor Co.,Ltd. or any third party. SANYO Semiconductor Co.,Ltd. shall not be liable for any claim or suits with regard to a third party's intellectual property rights which has resulted from the use of the technical information and products mentioned above.

This catalog provides information as of February, 2011. Specifications and information herein are subject to change without notice.



Компания «ЭлектроПласт» предлагает заключение долгосрочных отношений при поставках импортных электронных компонентов на взаимовыгодных условиях!

Наши преимущества:

- Оперативные поставки широкого спектра электронных компонентов отечественного и импортного производства напрямую от производителей и с крупнейших мировых складов;
- Поставка более 17-ти миллионов наименований электронных компонентов;
- Поставка сложных, дефицитных, либо снятых с производства позиций;
- Оперативные сроки поставки под заказ (от 5 рабочих дней);
- Экспресс доставка в любую точку России;
- Техническая поддержка проекта, помощь в подборе аналогов, поставка прототипов;
- Система менеджмента качества сертифицирована по Международному стандарту ISO 9001;
- Лицензия ФСБ на осуществление работ с использованием сведений, составляющих государственную тайну;
- Поставка специализированных компонентов (Xilinx, Altera, Analog Devices, Intersil, Interpoint, Microsemi, Aeroflex, Peregrine, Syfer, Eurofarad, Texas Instrument, Miteq, Cobham, E2V, MA-COM, Hittite, Mini-Circuits, General Dynamics и др.);

Помимо этого, одним из направлений компании «ЭлектроПласт» является направление «Источники питания». Мы предлагаем Вам помощь Конструкторского отдела:

- Подбор оптимального решения, техническое обоснование при выборе компонента;
- Подбор аналогов;
- Консультации по применению компонента;
- Поставка образцов и прототипов;
- Техническая поддержка проекта;
- Защита от снятия компонента с производства.



Как с нами связаться

Телефон: 8 (812) 309 58 32 (многоканальный)

Факс: 8 (812) 320-02-42

Электронная почта: org@eplast1.ru

Адрес: 198099, г. Санкт-Петербург, ул. Калинина, дом 2, корпус 4, литера А.