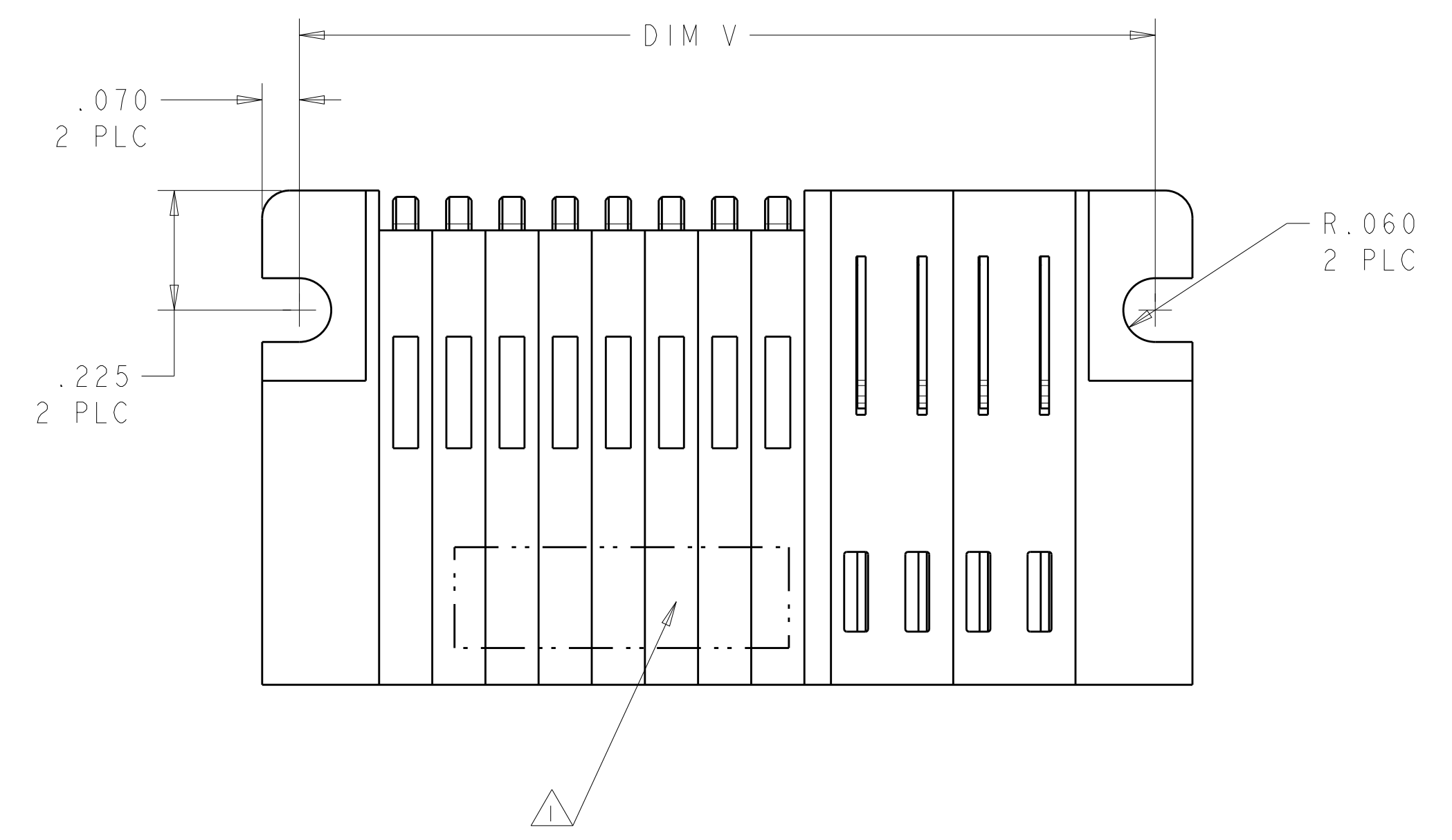
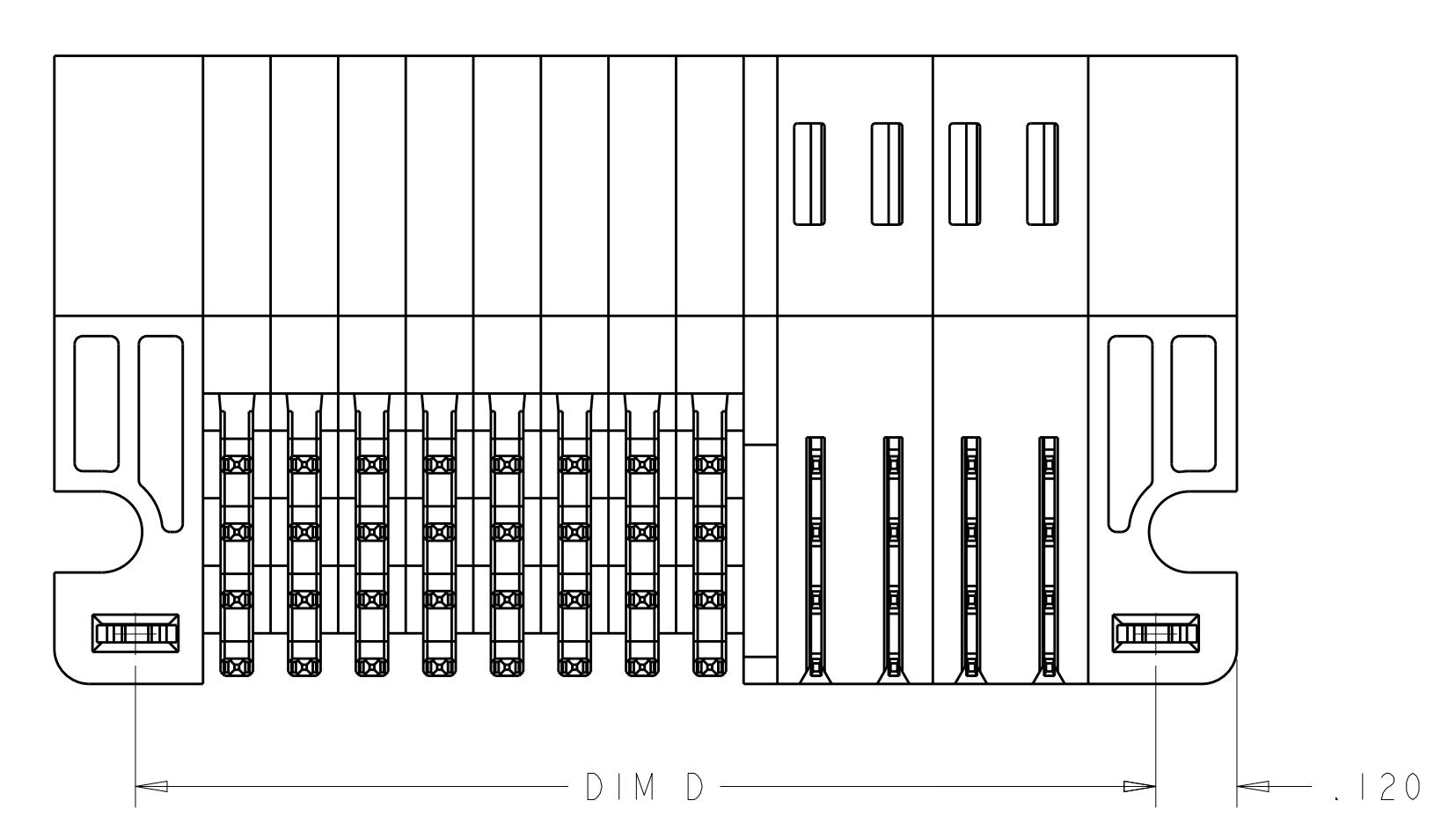
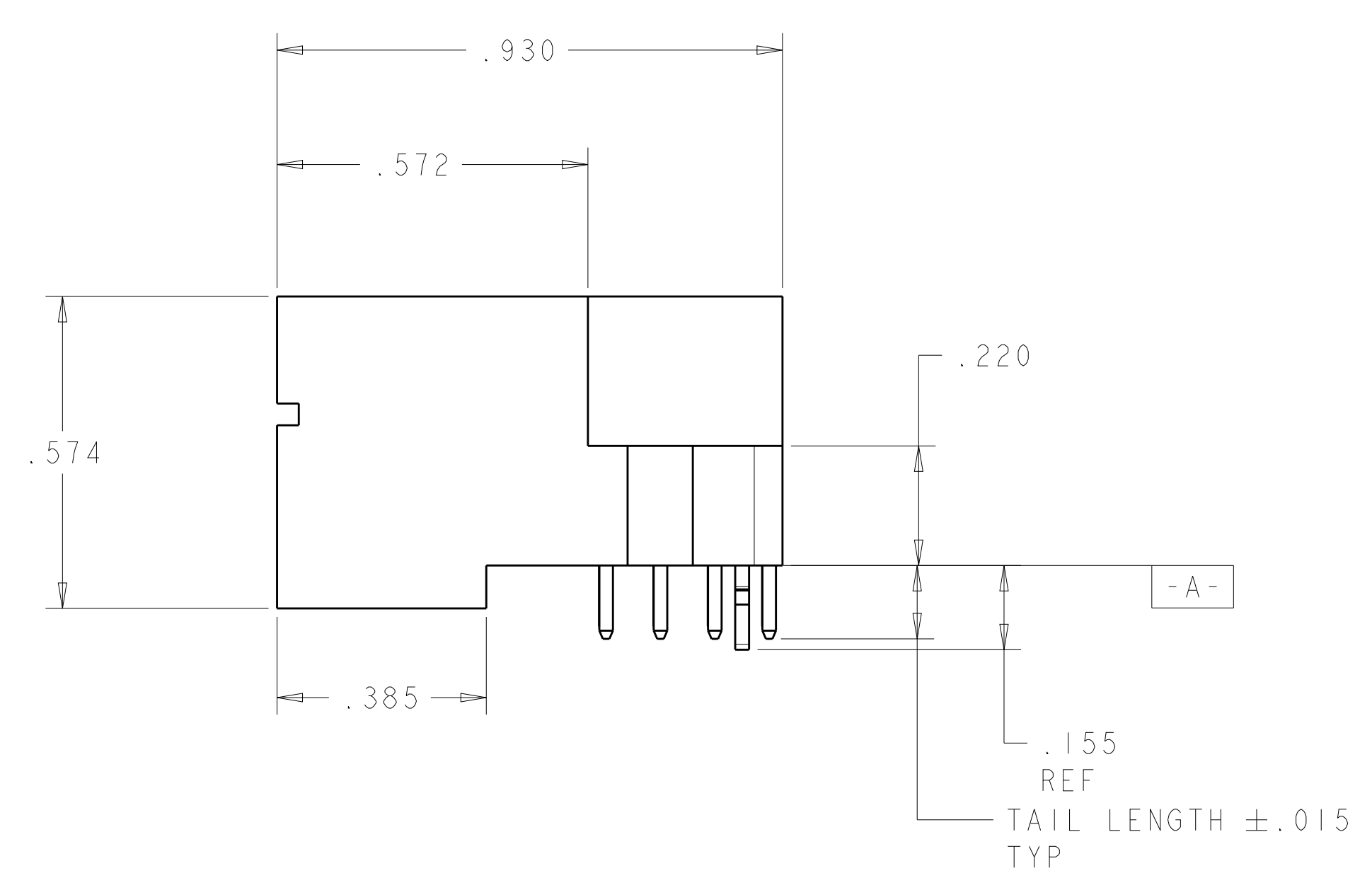
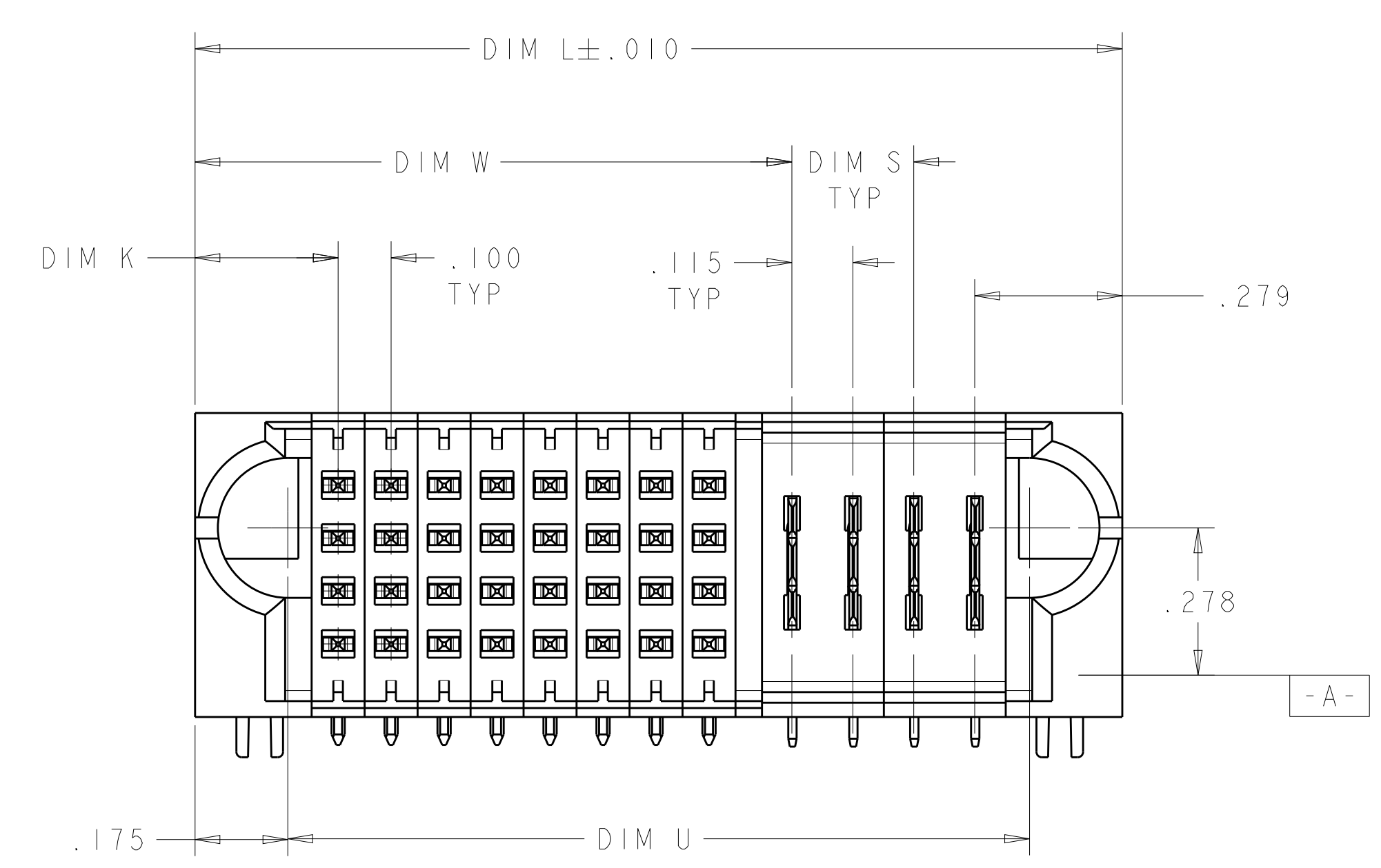


LOC		DIST		REVISIONS			
ES	00	P	LTM	DESCRIPTION	DATE	DMN	APVD
		L1		REVISED FOR 2-6	14MAY2014	CZ	SZ
		L5		ADD NEW DASH NUMBER 3-4	22SEP2014	CZ	SZ
		L6		ADD 3-6 PER ECO-14-018856	31DEC2014	CZ	SZ

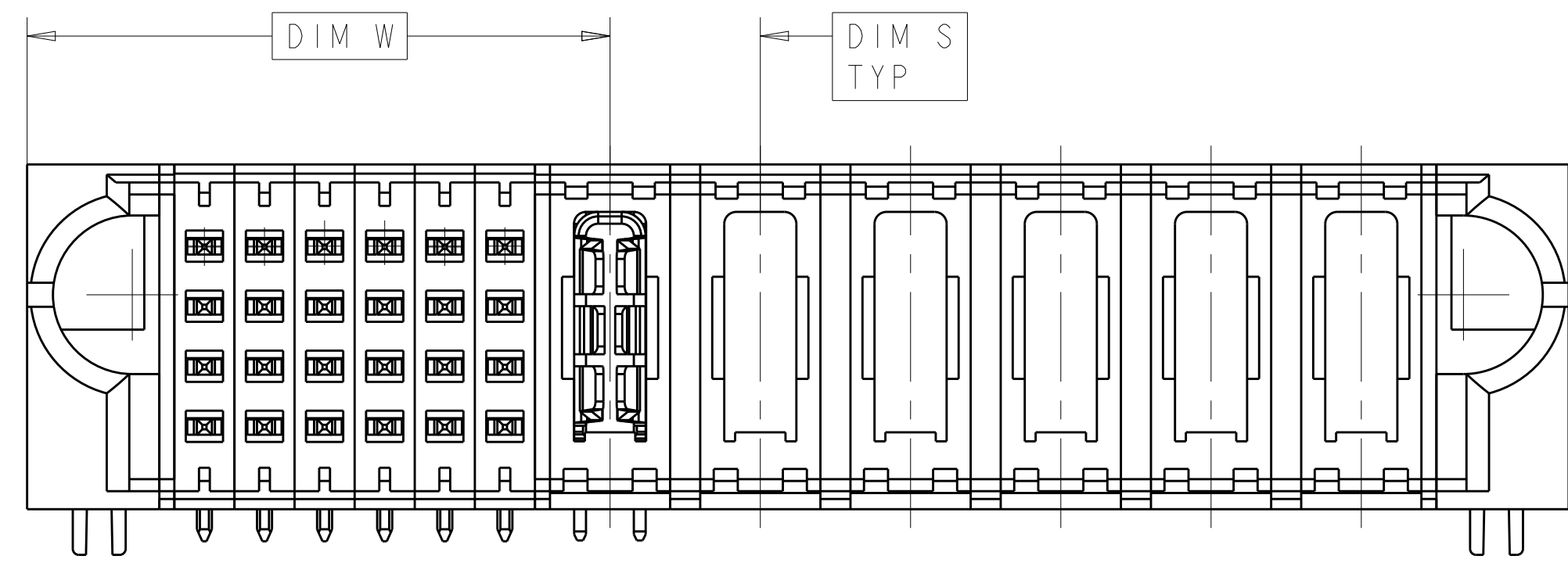


- ① "AMP", PART NUMBER AND DATE CODE TO BE MARKED IN AREA SHOWN PARTS UNDER 2.00 LONG MAY BE MARKED ON BOTH SIDES
- ② MATERIAL: HOUSING - GLASS FILLED HIGH TEMP THERMO PLASTIC, BLACK, UL94 V-0
 SIGNAL CONTACT - HIGH CONDUCTIVITY COPPER ALLOY
 POWER CONTACT - HIGH CONDUCTIVITY COPPER ALLOY
- ③ CONTACT PLATING: NOBLE METAL PLATING ON CONTACT FUNCTIONAL AREA OF POWER AND SIGNAL CONTACTS
- ④ MECHANICAL CONNECTOR KEEP OUT ZONE
- ⑤ DATUM AND BASIC DIMENSIONS ESTABLISHED BY CUSTOMER
- ⑥ PCB - ALL HOLE DIAMETERS ARE FINISHED HOLE SIZES
- ⑦ PCB - 0.0453 ± .0010 DRILLED HOLES PLATED WITH .0003 MIN Sn OVER .001 TO .003 Cu PLATING TO ACHIEVE A .040 ± .030 HOLE
- ⑧ FOR "S+P" CONFIGURATION, VARIABLE DIMENSIONS PLEASE REFER TO SHEET 2.
- ⑨ VARIABLE DIMENSIONS PLEASE SEE TABLE.



THIS DRAWING IS A CONTROLLED DOCUMENT.		DMN C. ZHOU CHK S. ZHAO	15OCT2007 15OCT2007	STE TE Connectivity
DIMENSIONS: INCHES	TOLERANCES UNLESS OTHERWISE SPECIFIED:	APVD S. YAO	NAME R/A HEADER WITH SHORT GUIDES AND LP CONTACTS ASSEMBLY MULTI-BEAM XLE	
0 PLC ± .01	1 PLC ± .01	PRODUCT SPEC 108-2292	SIZE A100779	RESTRICTED TO Customer Drawing
2 PLC ± .005	3 PLC ± .005	APPLICATION SPEC 108-13038	SCALE 4:1	
4 PLC ± .0020	ANGLES ± .5°	WEIGHT	SHEET 1 OF 17	REV L7

LOC	DIST	REVISIONS					
		P	LTN	DESCRIPTION	DATE	DWN	APVD
ES	00	-	-	SEE SHEET 1	-	-	-



△ FOR "S+P" CONFIGURATION
 UNSPECIFIED DIMENSIONS REFER TO SHEET 1

.600	.700	.490	-	-	.270	.840	16S	3-6450831-6
3.800	3.900	3.690	.200	3.120	.270	4.040	112S + 4HDP	3-6450831-4
2.920	3.020	2.810	.250 ⁹	.845 ⁹	.270	3.160	20S + 4P + 3LP	3-6450831-0
2.250	2.350	2.140	.200 ⁸	.745 ⁸	.270	2.490	16S + 8HDP	2-6450831-9
3.450	3.550	3.340	.300 ⁸	1.220 ⁸	.270	3.690	32S + 8ACP	2-6450831-8
2.250	2.350	2.140	.300 ⁸	1.220 ⁸	.270	2.490	32S + 4ACP	2-6450831-7
1.750	1.850	1.640	.9 ⁹	.745 ⁸	.270	1.990	16S + 4P	2-6450831-6
4.125	4.225	4.015	.375 ⁸	.995 ⁸	.270	4.365	24S + 9P	2-6450831-5
2.800	2.900	2.690	.250 ⁸	.945 ⁸	.270	3.040	24S + 8P	2-6450831-4
3.225	3.325	3.115	.200 ⁸	.945 ⁸	.270	3.465	24S + 12HDP	2-6450831-3
4.400	4.500	4.290	.8 ⁸ -.9 ⁹	1.995	.270	4.64	64S+4P+2HDP+5P	2-6450831-2
.875	.975	.765	-	-	.345	1.115	24S	2-6450831-1
.875	.975	.765	-	-	.345	1.115	24S	2-6450831-0
1.625	1.725	1.515	.200 ⁸	.945 ⁸	.270	1.865	24S + 4P	1-6450831-9
3.600	3.700	3.490	.250	.770	.295	3.840	16S + 12P	1-6450831-8
3.100	3.200	2.990	.250	.770	.295	3.340	16S + 10P	1-6450831-7
3.100	3.200	2.990	.250	.770	.295	3.340	16S + 10P	1-6450831-6
.600	.700	.490	-	-	.270	.840	16S	1-6450831-5
4.500	4.600	4.390	.250 ⁸	1.145 ⁸	.270	4.74	32S + 14P	1-6450831-4
3.250	3.350	3.140	.225 ⁸	1.145 ⁸	.270	3.490	32S + 10P	1-6450831-3
3.300	3.400	3.190	.9 ⁹	1.170 ⁸	.270	3.540	32S + 10P	1-6450831-2
.800	.900	.690	-	-	.270	1.040	24S	1-6450831-1
2.325	2.425	2.215	.250 ⁸	.970 ⁸	.295	2.565	24S + 6P	6450831-9
2.825	2.925	2.715	.250 ⁸	.970 ⁸	.295	3.065	24S + 8P	6450831-7
2.325	2.425	2.215	.250 ⁸	.970 ⁸	.295	2.565	24S + 6P	6450831-6
2.000	2.100	1.890	-	-	.270	2.240	72S	6450831-5
.800	.900	.690	-	-	.270	1.040	24S	6450831-4
5.405	5.505	5.295	-	5.2275	.295	5.645	196S + 2LP	6450831-3
1.510	1.610	1.400	.230	1.1275	.270	1.750	32S + 4LP	6450831-1
DIM D	DIM V	DIM U	DIM S	DIM W	DIM K	DIM L	DESCRIPTION	PART NUMBER

THIS DRAWING IS A CONTROLLED DOCUMENT. DWN C. ZHOU 15OCT2007
 CHK S. ZHAO 15OCT2007

DIMENSIONS: INCHES TOLERANCES UNLESS OTHERWISE SPECIFIED:
 0 PLC ±.01
 1 PLC ±.01
 2 PLC ±.01
 3 PLC ±.005
 4 PLC ±.0020
 ANGLES ±.0020

MATERIAL: FINISH:

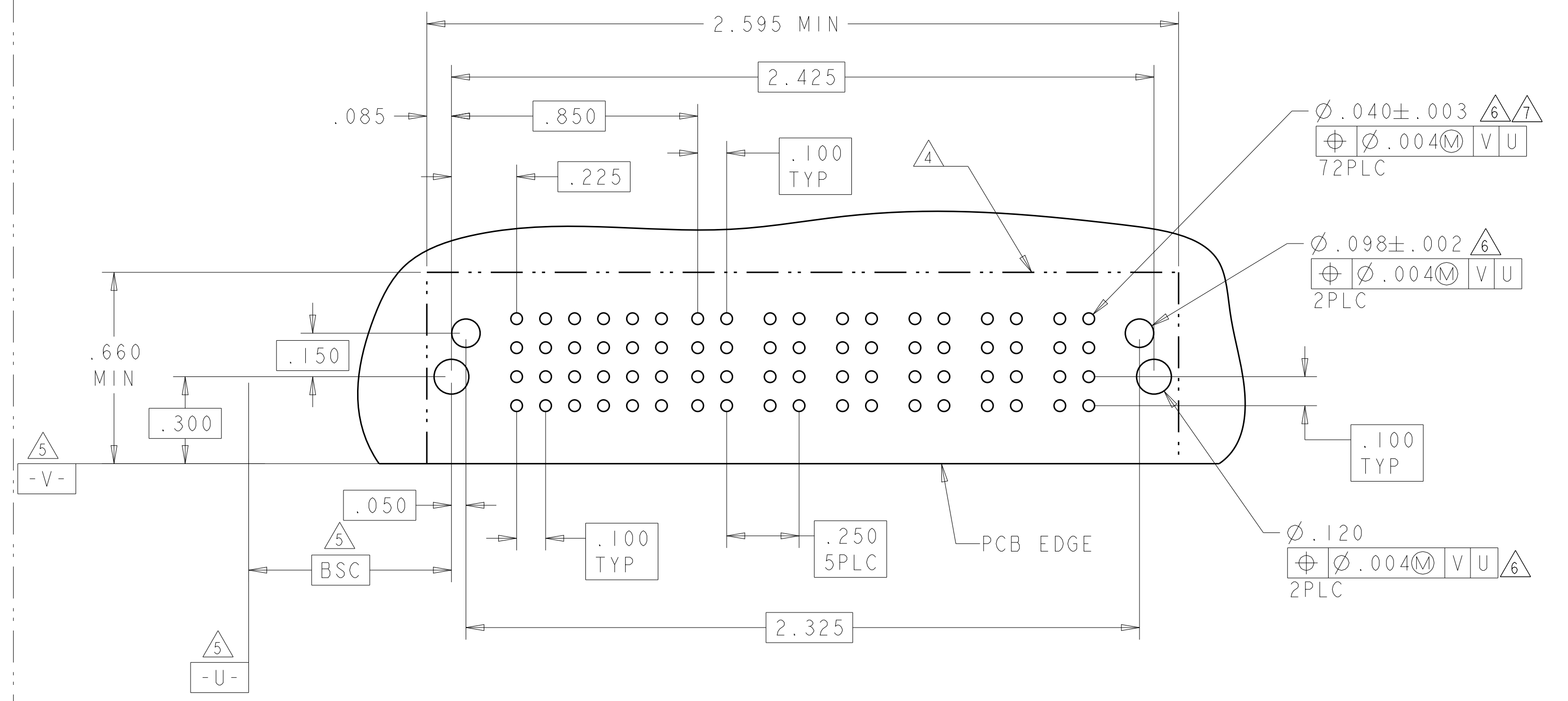
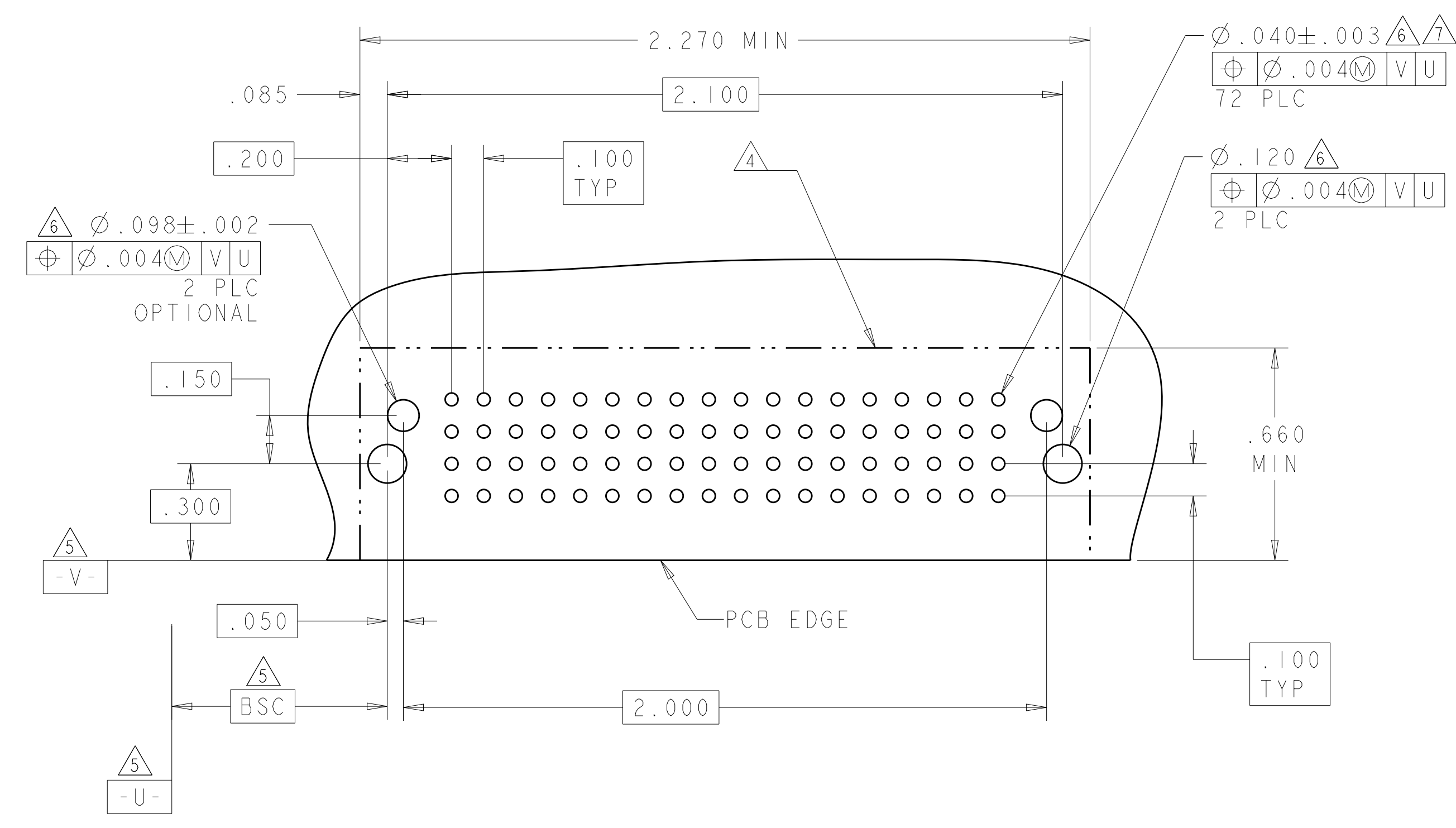
Customer Drawing

APVD S. YAO
 NAME R/A HEADER WITH SHORT GUIDES AND LP CONTACTS ASSEMBLY MULTI-BEAM XLE
 PRODUCT SPEC 108-2292
 APPLICATION SPEC 108-13038
 SIZE A100779 C=6450831
 SCALE 4:1 SHEET 2 OF 17 REV L7

LOC	DIST	REVISIONS			
P	LTN	DESCRIPTION	DATE	DMN	APVD
ES	00	SEE SHEET 1			

PART NUMBER	ROWS	SIGNAL																	
		1	2	3	4	5	6	7	8	9	10	11	12	13	14	15	16	17	18
6450831-5	D	E	E	E	E	E	E	E	E	E	E	E	E	E	E	E	E	E	E
	C	F	F	F	F	F	F	F	F	F	F	F	F	F	F	F	F	F	F
	B	G	G	G	G	G	G	G	G	G	G	G	G	G	G	G	G	G	G
	A	S	S	S	S	S	S	S	S	S	S	S	S	S	S	S	S	S	S
72S																			

PART NUMBER	ROWS	SIGNAL						POWER					
		1	2	3	4	5	6	P1	P2	P3	P4	P5	P6
6450831-6	D	J	J	J	J	J	J	TM	TM	TM	TM	TM	TM
	C	K	K	K	K	K	K	TM	TM	TM	TM	TM	TM
	B	N	N	N	G	N	N	TM	TM	TM	TM	TM	TM
	A	S	S	S	H	S	S	TM	TM	TM	TM	TM	TM
24S + 6P													



THIS DRAWING IS A CONTROLLED DOCUMENT.

DIMENSIONS:	TOLERANCES UNLESS OTHERWISE SPECIFIED:	DMN	C. ZHOU	15OCT2007
INCHES	0 PLC ± .01 2 PLC ± .01 3 PLC ± .005 4 PLC ± .0020	CHK	S. ZHAO	15OCT2007
	ANGLES ± .2°	APVD	S. YAO	
MATERIAL	FINISH	PRODUCT SPEC	R/A HEADER WITH SHORT GUIDES AND LP CONTACTS ASSEMBLY MULTI-BEAM XLE	
		APPLICATION SPEC	SIZE	CAGE CODE DRAWING NO
		108-13038	A1	00779C=6450831
		WEIGHT	SCALE	SHEET 4 OF 17
		Customer Drawing	4:1	REV 7

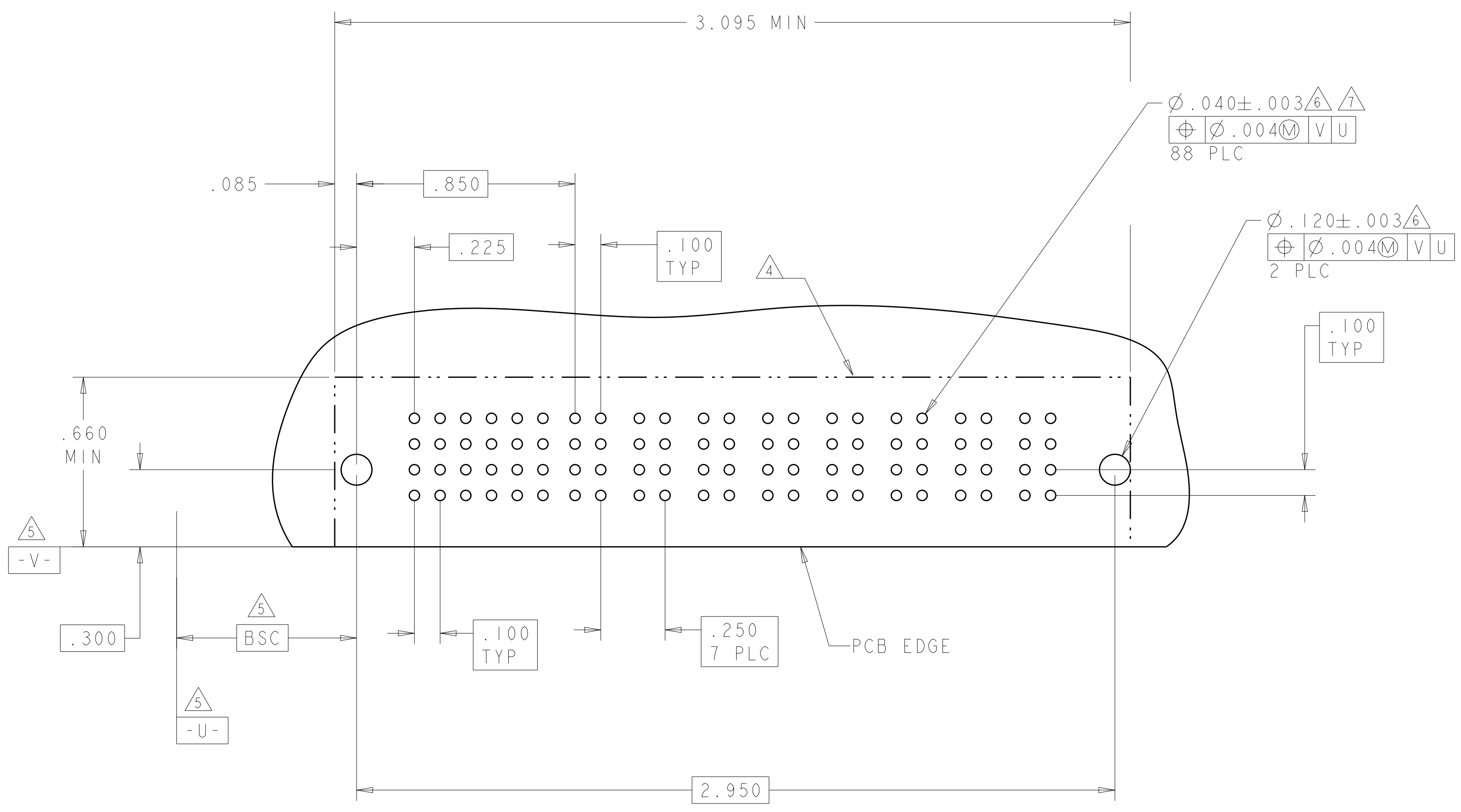
4805 (3/11)

LOC	DIST	REVISIONS			
P	LTN	DESCRIPTION	DATE	OWN	APVD
-	-	SEE SHEET 1	-	-	-

PART NUMBER	ROWS	SIGNAL						POWER							
		1	2	3	4	5	6	P1	P2	P3	P4	P5	P6	P7	P8
6450831-7	D C B A	J	J	J	J	J	J	TM	TM	TM	TM	TM	TM	TM	TM
		K	K	K	K	K	K								
		N	N	N	G	N	N								
		S	S	S	H	S	S								
24S + 8P															

ASSY PART NUMBER	ROWS	SIGNAL						POWER							
		1	2	3	4	5	6	P1	P2	P3	P4	P5	P6		
6450831-9	D C B A	J	J	J	J	J	J	TM	TM	TM	TM	TM	TM		
		K	K	K	K	K	K								
		N	N	N	N	N	N								
		S	S	S	S	S	S								
24S + 6P															

REMARK:
 LAYOUT OF 6450831-9 IS THE SAME AS 6450831-6.

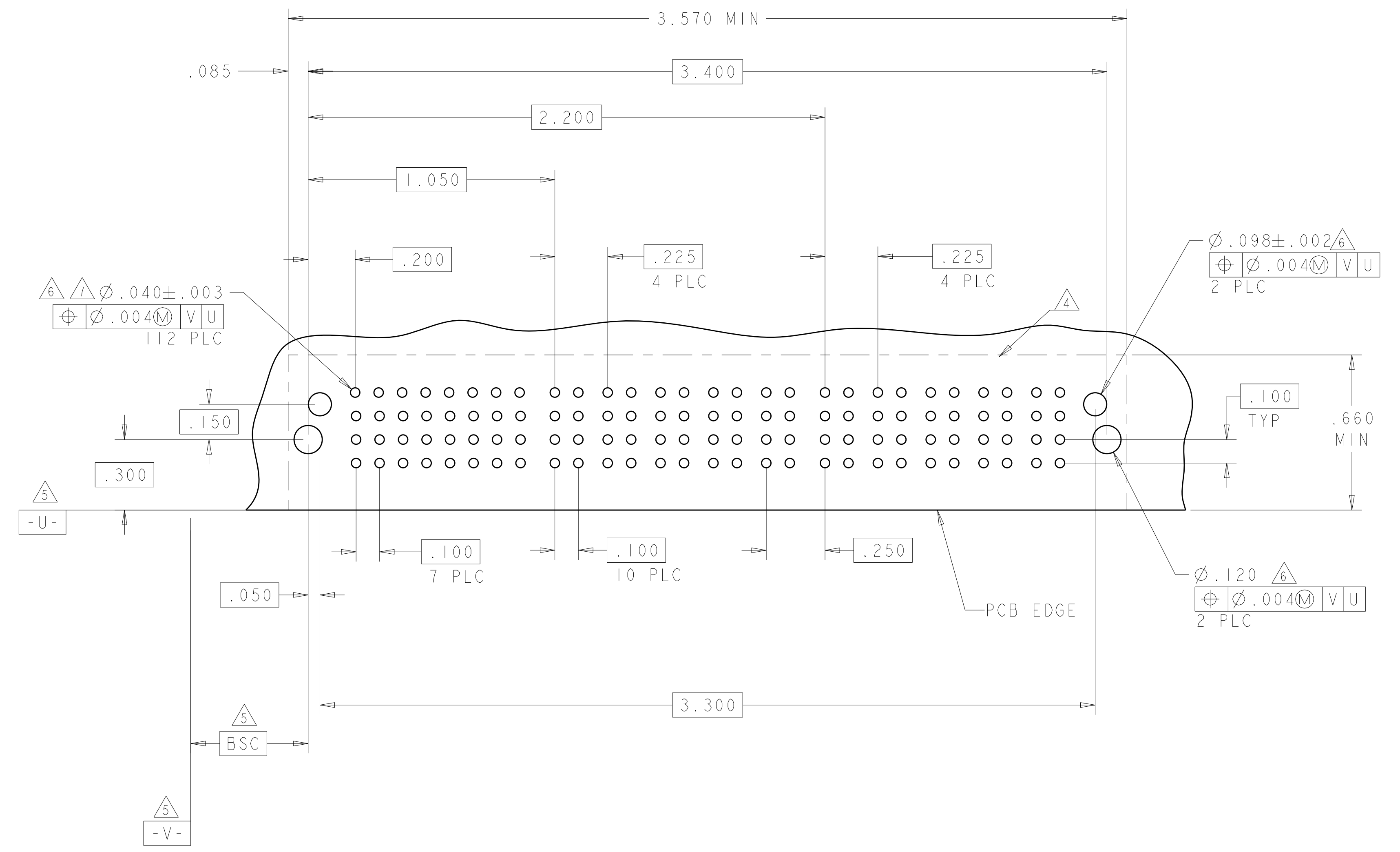
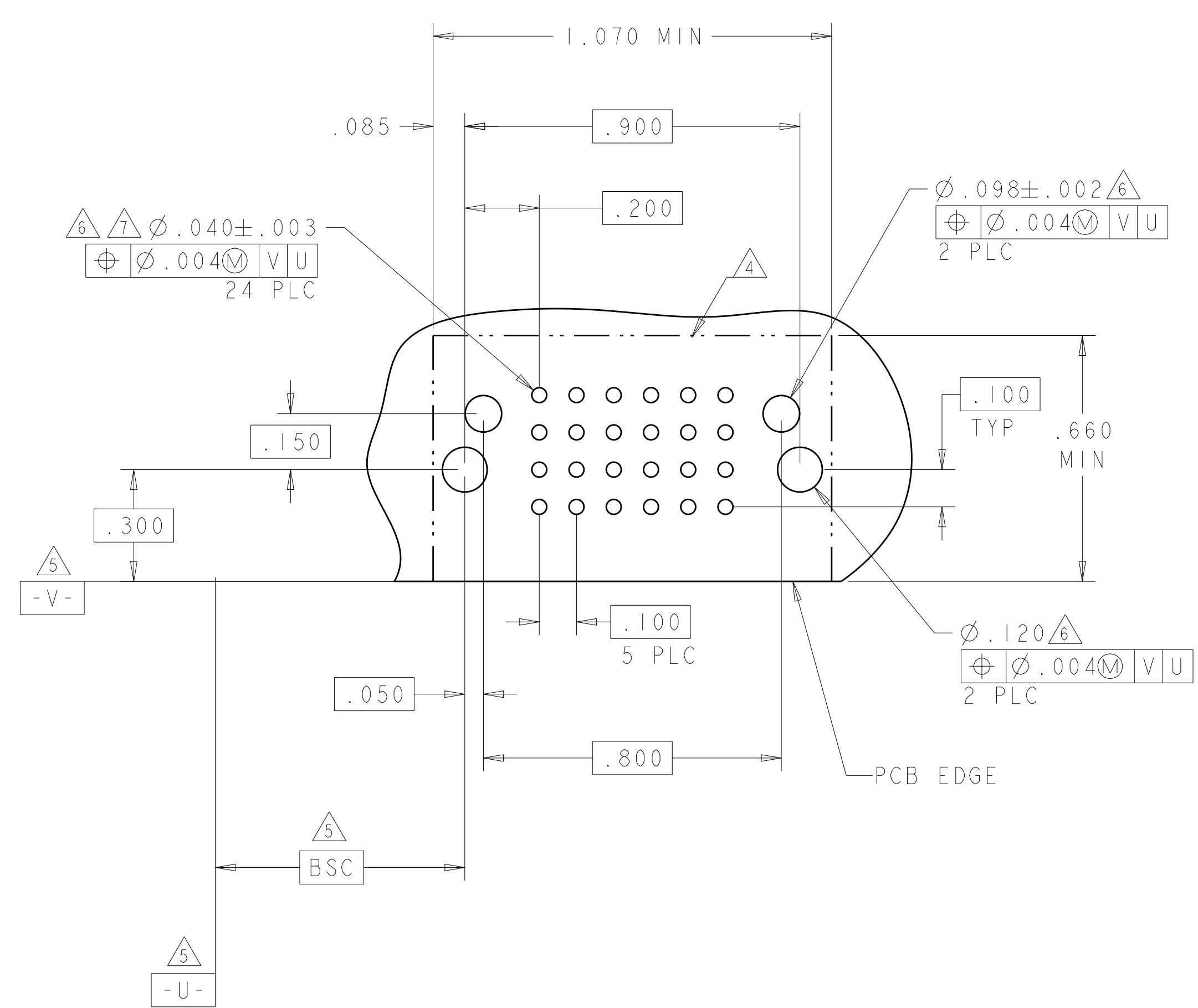


THIS DRAWING IS A CONTROLLED DOCUMENT.		OWN: C. ZHOU 15OCT2007	STE TE Connectivity
DIMENSIONS: INCHES		CHK: S. ZHAO 15OCT2007	
TOLERANCES UNLESS OTHERWISE SPECIFIED:		APVD: S. YAO	NAME: R/A HEADER WITH SHORT GUIDES AND LP CONTACTS ASSEMBLY MULTI-BEAM XLE
0 PLC ± .01	1 PLC ± .01	PRODUCT SPEC: 108-2292	SIZE: A1
2 PLC ± .01	3 PLC ± .005	APPLICATION SPEC: 108-13038	CAGE CODE: 00779
4 PLC ± .0020	ANGLES ± .2°	WEIGHT: -	DRAWING NO: C=6450831
MATERIAL: -	FINISH: -	Customer Drawing	RESTRICTED TO: -
		SCALE: 4:1	SHEET 5 OF 17
		REV: L7	

LOC		DIST		REVISIONS			
P	LTN	DESCRIPTION	DATE	DMN	APVD		
-	-	SEE SHEET 1	-	-	-		

PART NUMBER	ROWS	SIGNAL					
		1	2	3	4	5	6
I-6450831-1	D	E	E	E	E	E	E
	C	F	F	F	F	F	F
	B	G	G	G	G	G	G
	A	HD	S	S	S	S	S
24S							

PART NUMBER	ROWS	SIGNAL								POWER										
		1	2	3	4	5	6	7	8	P1	P2	P3	P4	P5	P6	P7	P8	P9	P10	
I-6450831-2	D	J	J	J	J	J	J	J	J											
	C	K	K	K	K	K	K	K	K	TM	TM	TM	TM	TM	TM	TM	TM	TM	TM	
	B	N	N	N	N	N	N	N	N											
	A	HD	H	H	H	H	H	H	H											
32S + 10P																				



Δ .225
8 PLC

THIS DRAWING IS A CONTROLLED DOCUMENT.

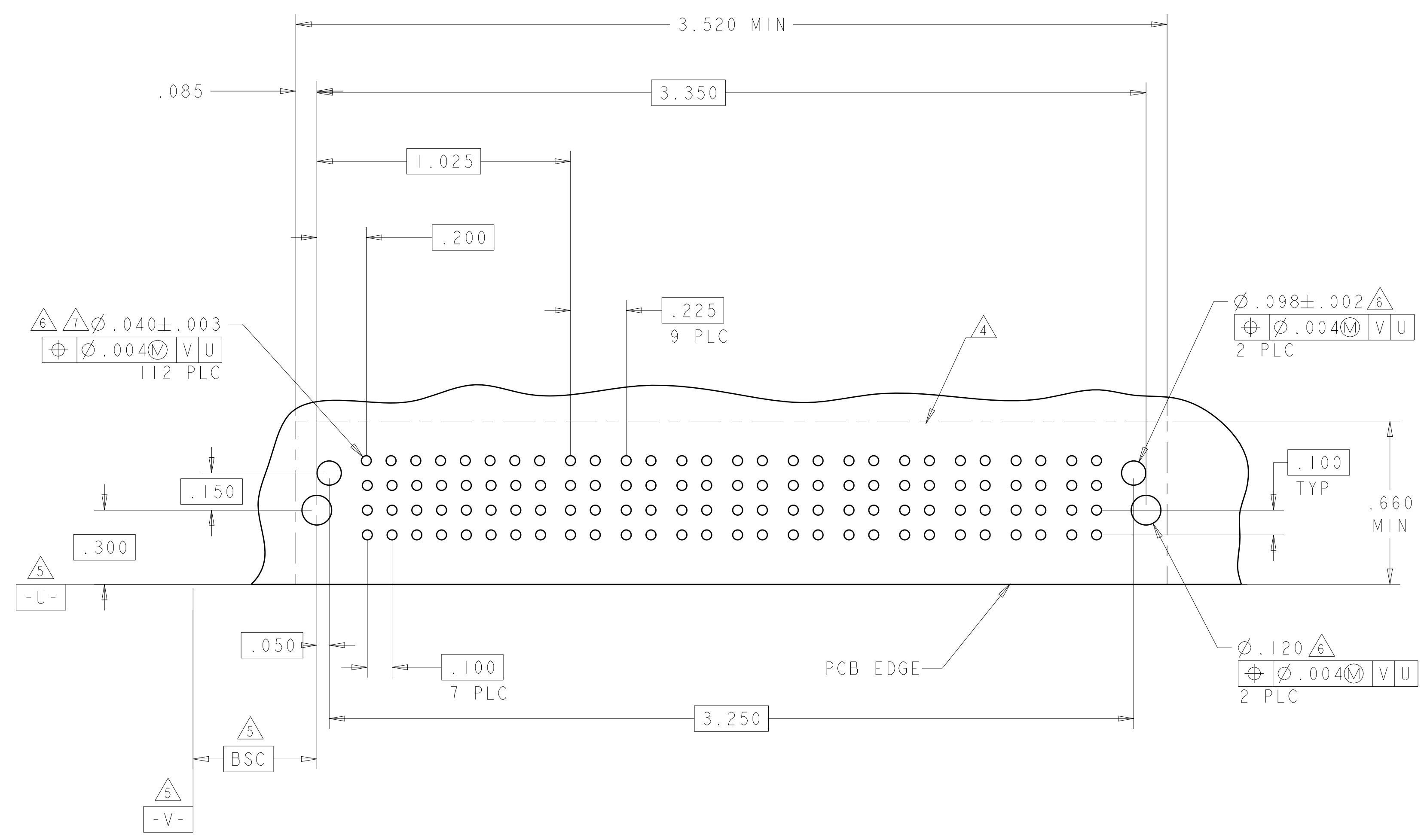
DIMENSIONS: INCHES	TOLERANCES UNLESS OTHERWISE SPECIFIED:	DMN: C. ZHOU 15OCT2007	CHK: S. ZHAO 15OCT2007	TE Connectivity R/A HEADER WITH SHORT GUIDES AND LP CONTACTS ASSEMBLY MULTI-BEAM XLE
MATERIAL:	FINISH:	APVD: S. YAO	NAME: R/A HEADER WITH SHORT GUIDES AND LP CONTACTS ASSEMBLY MULTI-BEAM XLE	
		PRODUCT SPEC: 108-2292	SIZE: A100779	
		APPLICATION SPEC: 108-13038	SCALE: 4:1 SHEET 6 OF 17 REV: 7	

Customer Drawing

LOC		DIST		REVISIONS			
ES	00	P	LTN	DESCRIPTION	DATE	DMN	APVD
-	-	-	-	SEE SHEET 1	-	-	-

PART NUMBER	ROWS	SIGNAL								POWER									
		1	2	3	4	5	6	7	8	P1	P2	P3	P4	P5	P6	P7	P8	P9	P10
1-6450831-3	D	J	J	J	J	J	J	J	J	TM	TM	TM	TM	TM	TM	TM	TM	TM	TM
	C	K	K	K	K	K	K	K	K										
	B	N	N	N	N	N	N	N	N										
	A	HD	H	H	H	H	H	H	H										HD

32S + 10P



THIS DRAWING IS A CONTROLLED DOCUMENT.		DMN C. ZHOU CHK S. ZHAO	15OCT2007 15OCT2007	STE TE Connectivity
DIMENSIONS: INCHES	TOLERANCES UNLESS OTHERWISE SPECIFIED:	APVD S. YAO	NAME R/A HEADER WITH SHORT GUIDES AND LP CONTACTS ASSEMBLY MULTI-BEAM XLE	
	0 PLC ±	PRODUCT SPEC	SIZE A100779	RESTRICTED TO
	1 PLC ±.01	108-2292	CAGE CODE DRAWING NO C=6450831	
MATERIAL	FINISH	APPLICATION SPEC	SCALE 4:1	SHEET 7 OF 17 REV L7
		108-13038	Customer Drawing	

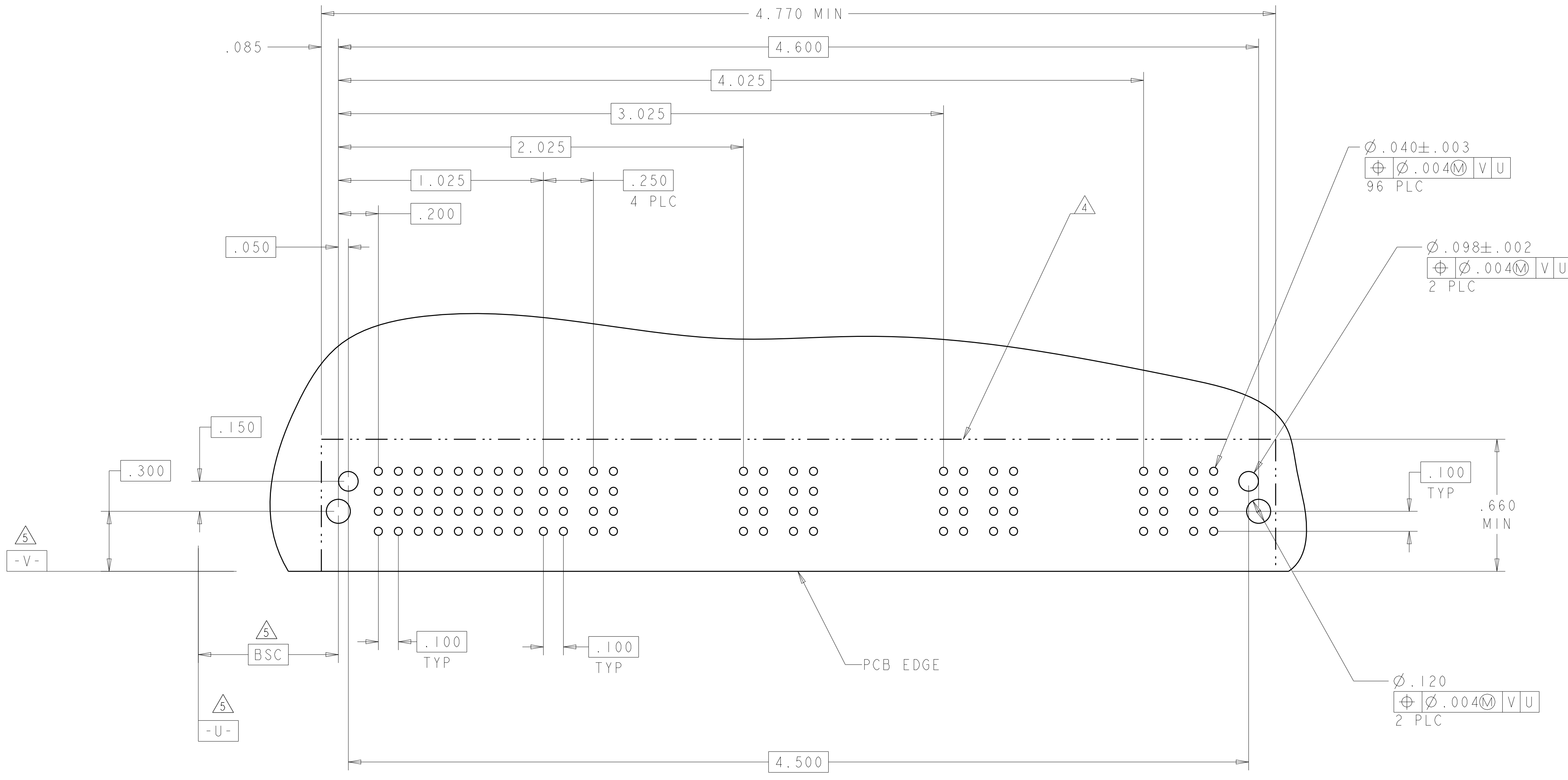
LOC	DIST	REV	DATE	BY	APPD
ES	00				

REVISIONS			
REV	DATE	BY	APPD
-	-	-	-
-	-	-	-

ASSY PART NUMBER	ROWS	SIGNAL								POWER														
		1	2	3	4	5	6	7	8	P1	P2	P3	P4	P5	P6	P7	P8	P9	P10	P11	P12	P13	P14	
1-6450831-4	D	J	J	J																				
	C	K	F	F																				
	B	N	N	N																				
	A	S	S	S																				

32S + 14P

(H3)



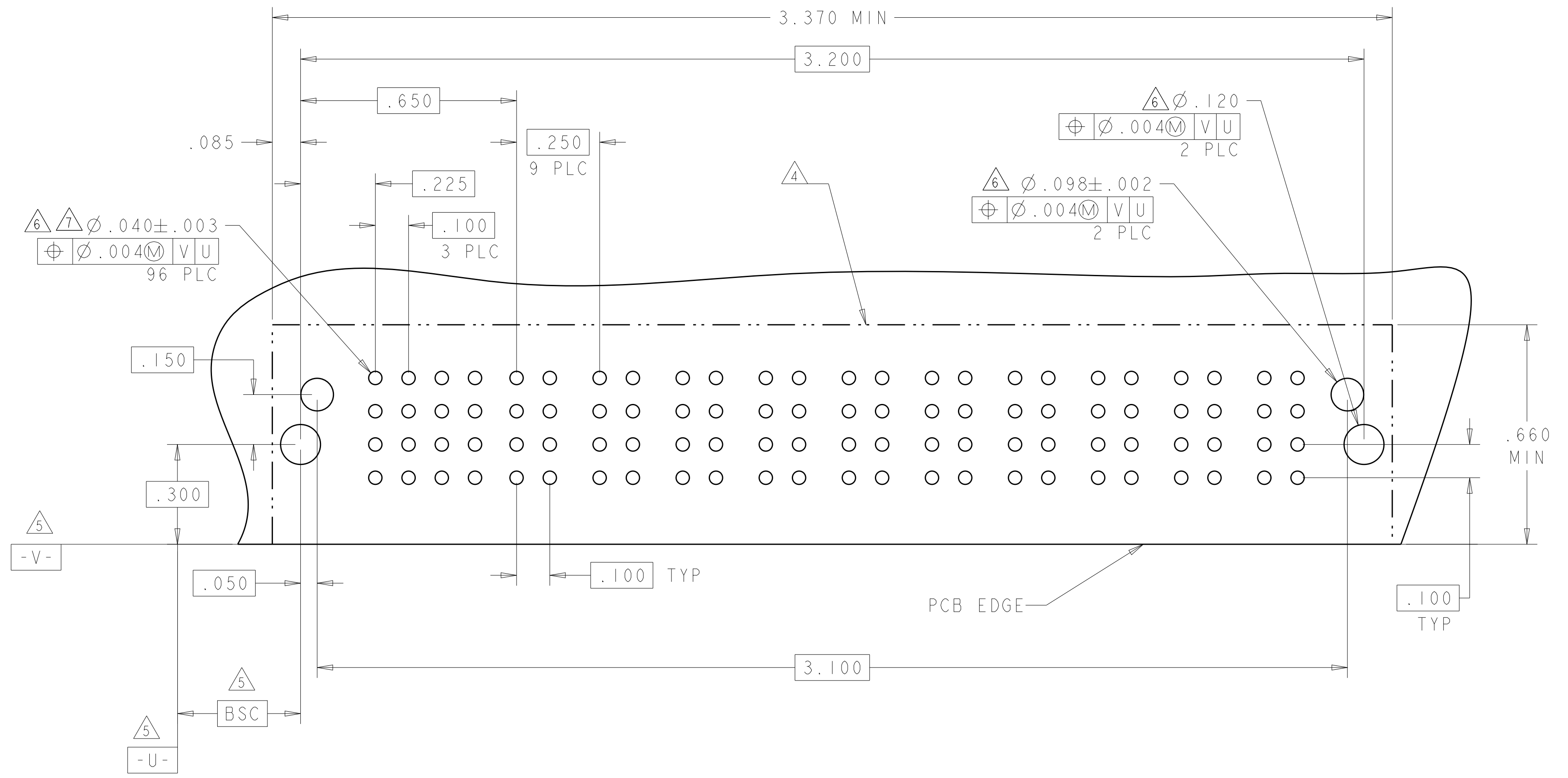
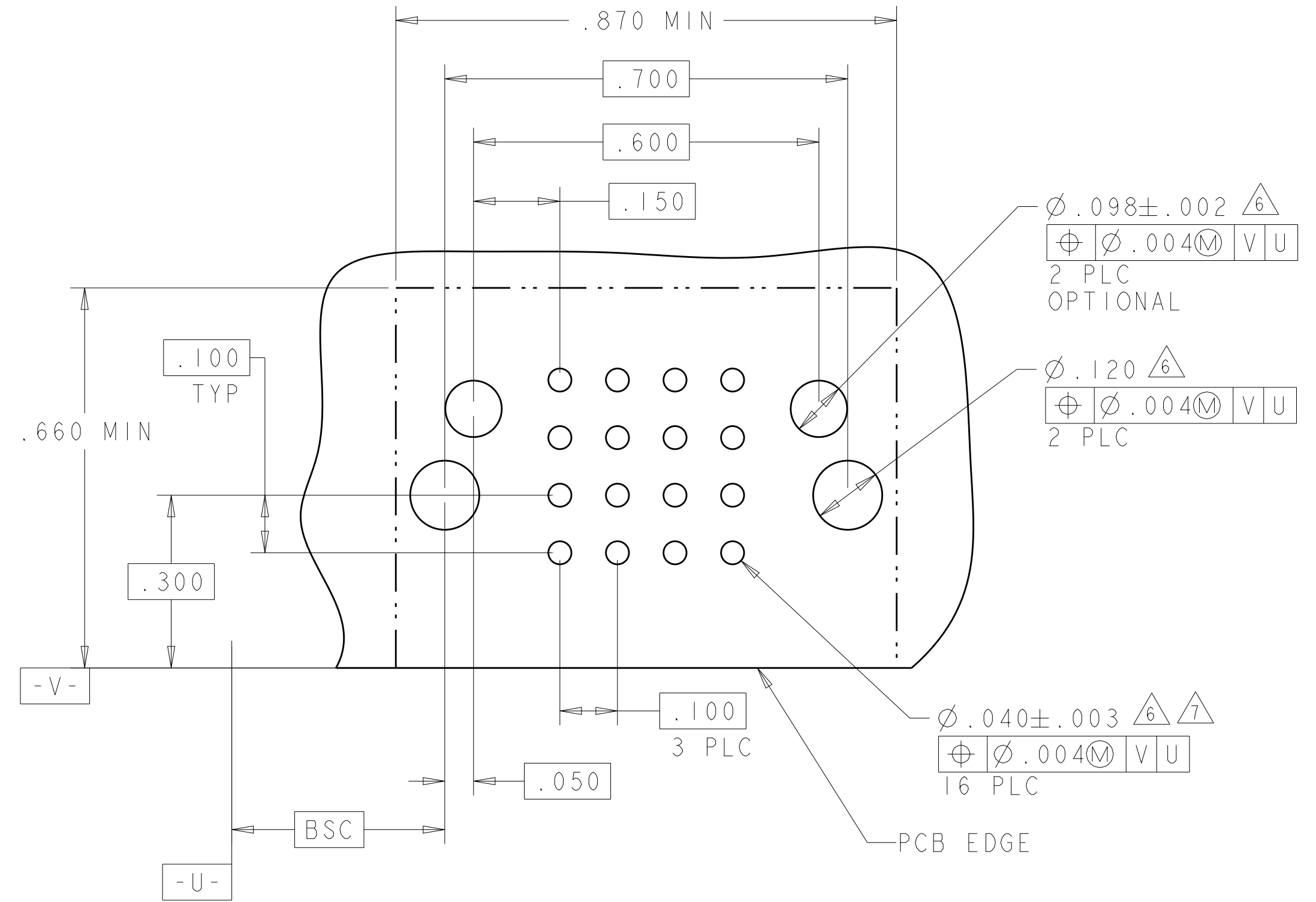
THIS DRAWING IS A CONTROLLED DOCUMENT.		DWN C. ZHOU	15OCT2007	STE TE Connectivity
DIMENSIONS: INCHES		CHK S. ZHAO	15OCT2007	
TOLERANCES UNLESS OTHERWISE SPECIFIED:		APVD S. YAO		NAME R/A HEADER WITH SHORT GUIDES AND LP CONTACTS ASSEMBLY MULTI-BEAM XLE
0 PLC ±.01		PRODUCT SPEC		SIZE A100779
1 PLC ±.01		APPLICATION SPEC		CAGE CODE C=6450831
2 PLC ±.005		RESTRICTED TO		SCALE 4:1
3 PLC ±.002		MATERIAL		SHEET 8 OF 17
4 PLC ±.0020		WEIGHT		REV L7
ANGLES ±.020		FINISH		
FINISH		Customer Drawing		

PART NUMBER	ROWS	SIGNAL			
		1	2	3	4
1-6450831-5	D	E	E	E	E
	C	F	F	F	F
	B	G	G	G	G
	A	H	H	H	S
16S					

(H7)

PART NUMBER	ROWS	SIGNAL				POWER									
		1	2	3	4	P1	P2	P3	P4	P5	P6	P7	P8	P9	P10
1-6450831-6	D	E	E	J	J										
	C	K	K	K	K	TM	TM	TM	TM	TM	TM	TM	TM	TM	
	B	N	N	N	N										
	A	S	S	S	S										
16S + 10P															

PART NUMBER	ROWS	SIGNAL			
		1	2	3	4
3-6450831-6	D	E	E	J	J
	C	K	K	K	K
	B	N	N	N	N
	A	S	S	S	S
16S					

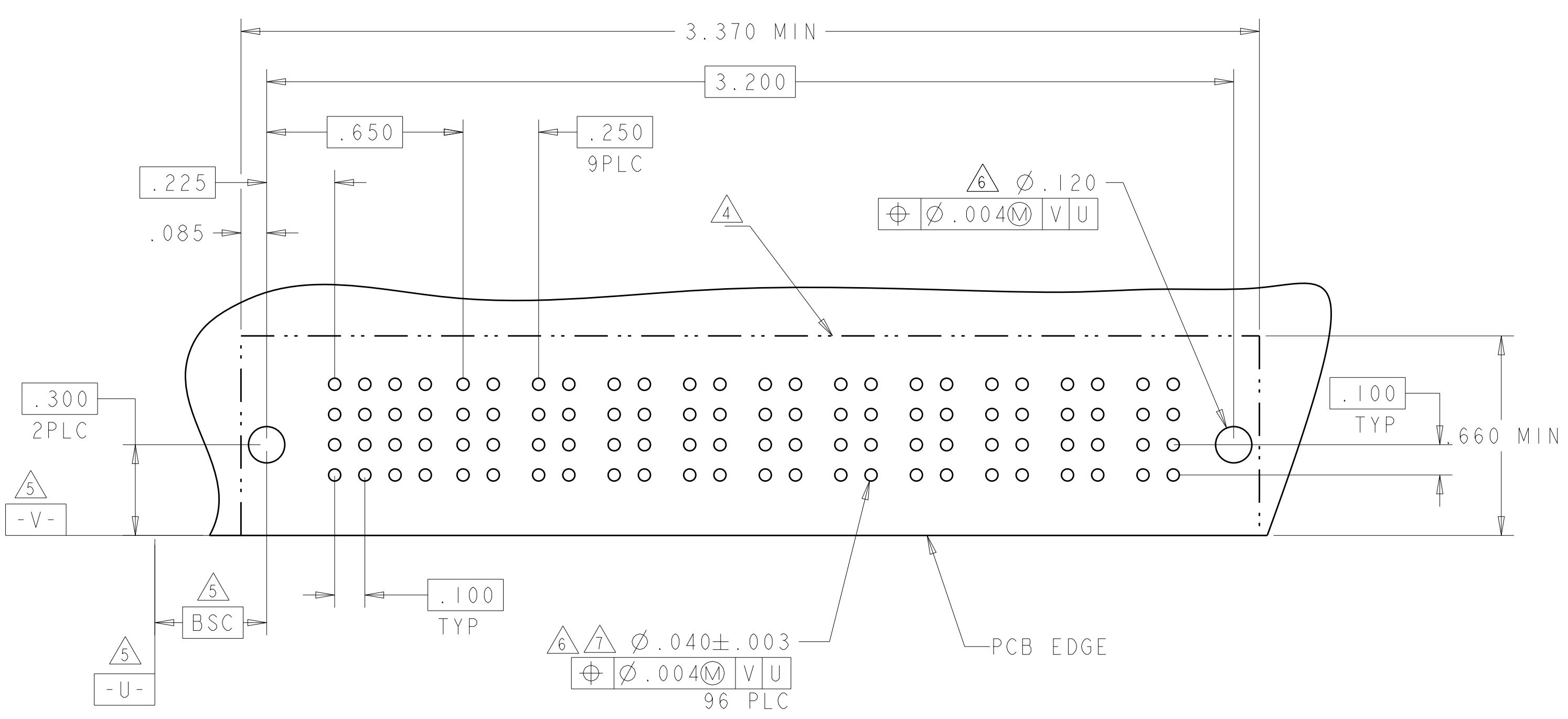


THIS DRAWING IS A CONTROLLED DOCUMENT.		OWN: C. ZHOU 15OCT2007	
DIMENSIONS: INCHES		CHK: S. ZHAO 15OCT2007	
TOLERANCES UNLESS OTHERWISE SPECIFIED:		APVD: S. YAO	NAME: R/A HEADER WITH SHORT GUIDES AND LP CONTACTS ASSEMBLY MULTI-BEAM XLE
0 PLC	±	PRODUCT SPEC	SIZE: CAGE CODE DRAWING NO
1 PLC	±.01	108-2292	RESTRICTED TO
2 PLC	±.005	APPLICATION SPEC	A100779C=6450831
3 PLC	±.0020	108-13038	SCALE: 4:1 SHEET 9 OF 17 REV: 7
4 PLC	±.0020	WEIGHT	
ANGLES	±.0020	Customer Drawing	
MATERIAL			
FINISH			

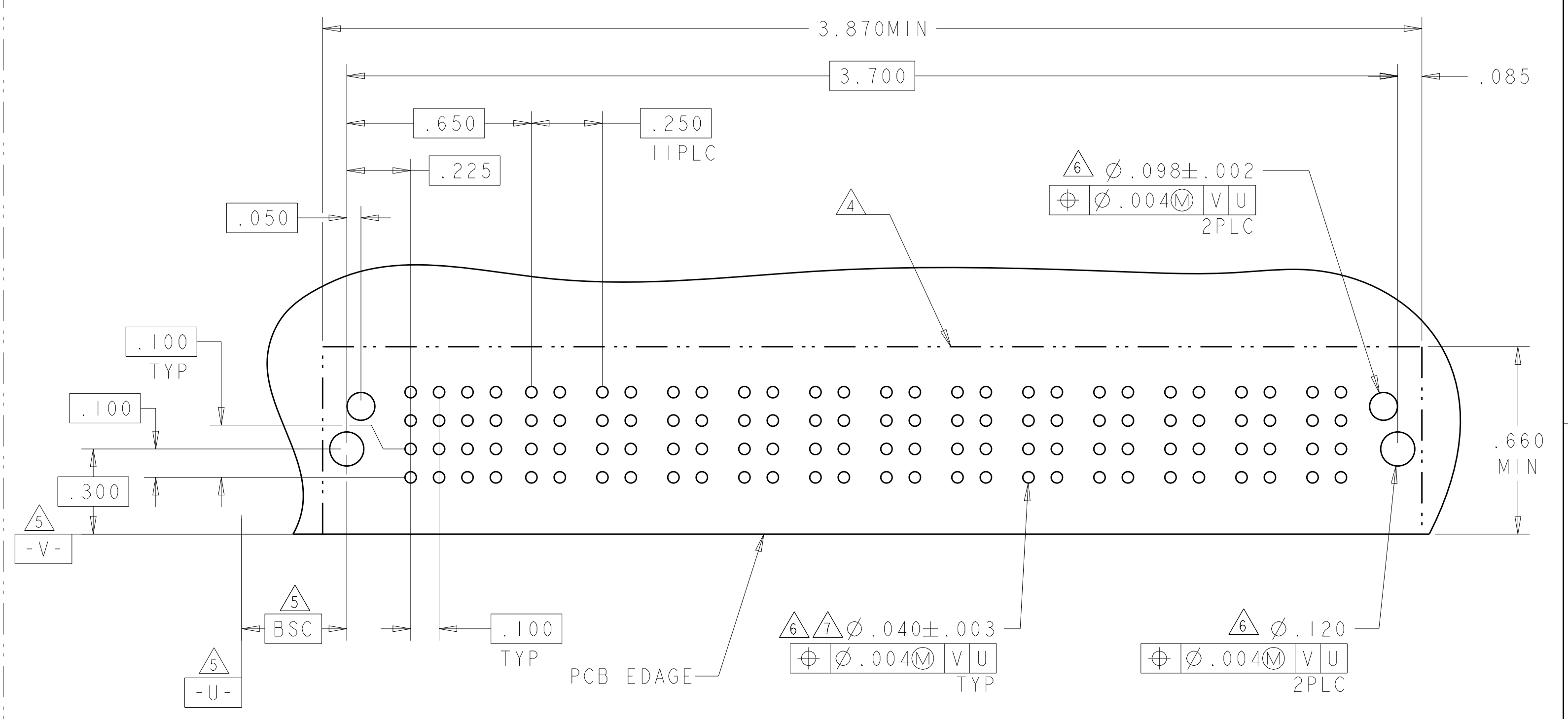
LOC	DIST	REVISIONS			
P	LTN	DESCRIPTION	DATE	DMN	APVD
-	-	SEE SHEET 1	-	-	-

PART NUMBER	ROWS	SIGNAL				POWER														
		1	2	3	4	P1	P2	P3	P4	P5	P6	P7	P8	P9	P10					
I-6450831-7	D	E	E	J	J															
	C	K	K	K	K															
	B	N	N	N	N	TM	TM	TM	TM	TM	TM	TM	TM	TM	TM	TM	TM	TM	TM	TM
	A	S	S	S	S															
16S + 10P																				

PART NUMBER	ROWS	SIGNAL				POWER														
		1	2	3	4	P1	P2	P3	P4	P5	P6	P7	P8	P9	P10	P11	P12			
I-6450831-8	D	E	E	J	J															
	C	K	K	K	K	TM	TM	TM	TM	TM	TM	TM	TM	TM	TM	TM	TM	TM	TM	TM
	A	S	S	S	S															
16S + 12P																				



RECOMMENDED PCB LAYOUT



RECOMMENDED PCB LAYOUT

THIS DRAWING IS A CONTROLLED DOCUMENT.		DMN: C.ZHOU 15OCT2007	TE Connectivity
DIMENSIONS: INCHES		CHK: S.ZHAO 15OCT2007	
TOLERANCES UNLESS OTHERWISE SPECIFIED:		APVD: S.YAO	NAME: R/A HEADER WITH SHORT GUIDES AND LP CONTACTS ASSEMBLY MULTI-BEAM XLE
0 PLC ±	1 PLC ±.01	PRODUCT SPEC: 108-2292	SIZE: A1
2 PLC ±.01	3 PLC ±.005	APPLICATION SPEC: 108-13038	CAGE CODE: 6450831
4 PLC ±.0020	ANGLES ±.7°	WEIGHT: -	RESTRICTED TO: -
MATERIAL: -	FINISH: -	Customer Drawing	SCALE: 4:1 SHEET 10 OF 17 REV: L7

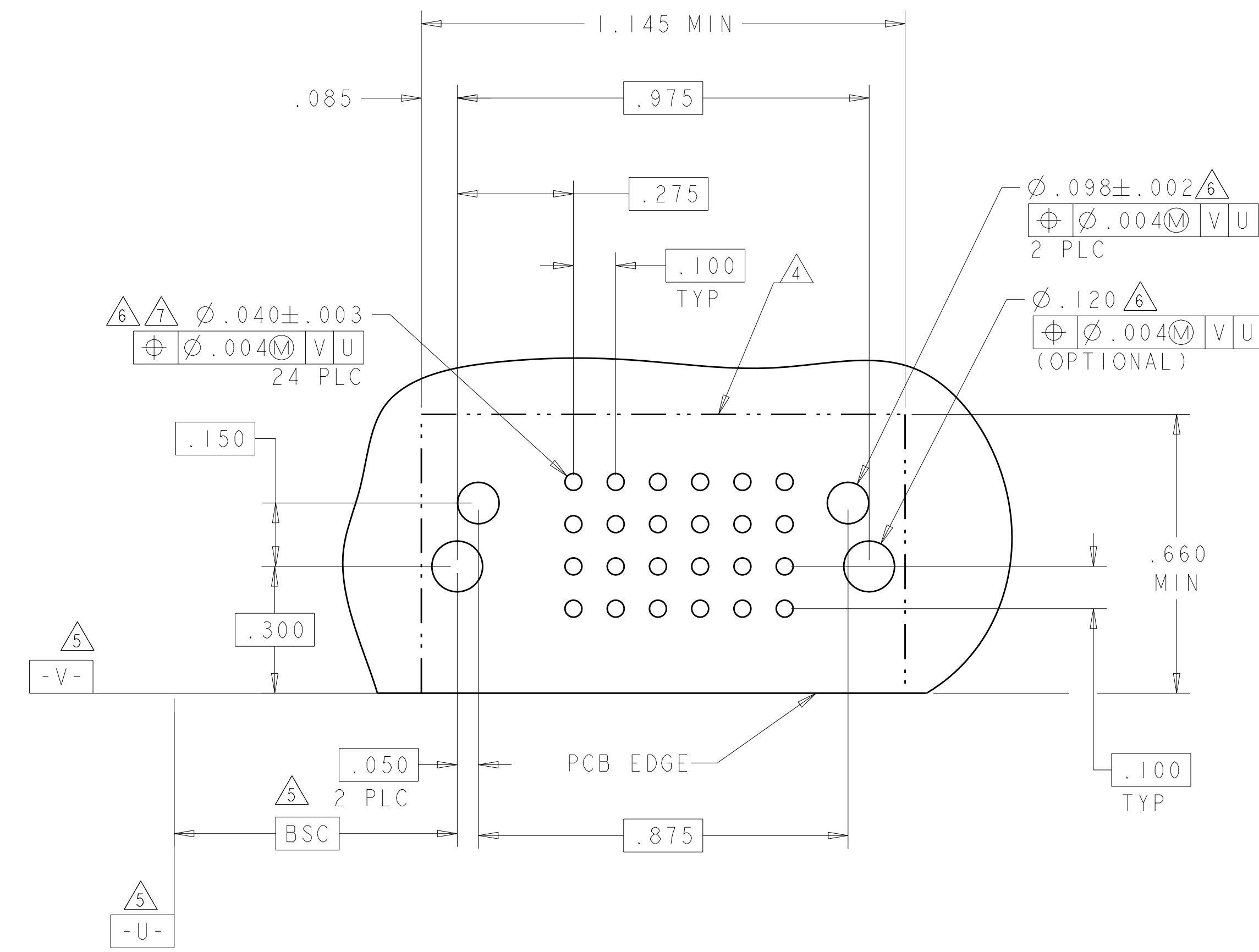
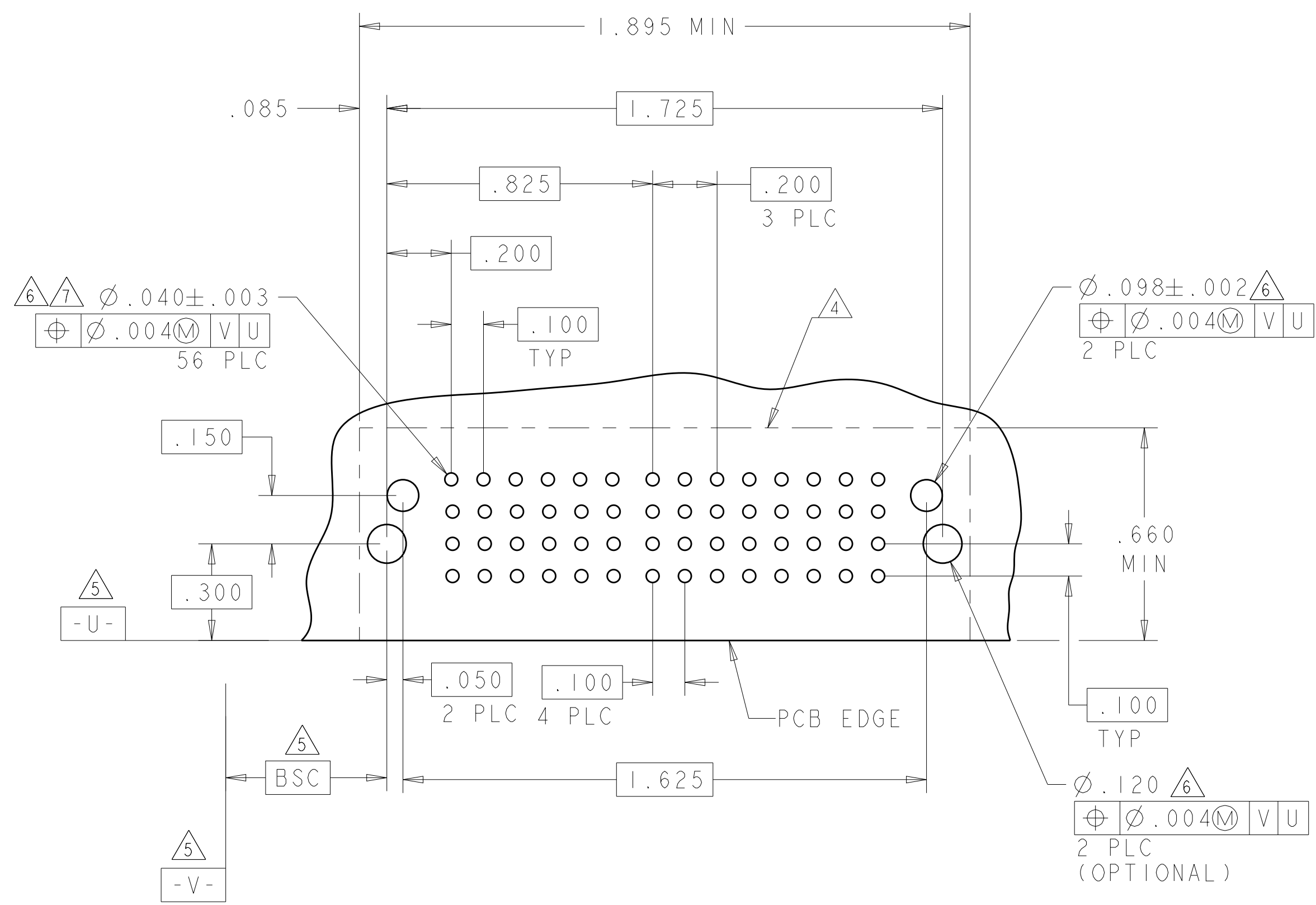
LOC	DIST	REVISIONS			
		REV	DATE	BY	APPD
ES	00	-	SEE SHEET 1	-	-

PART NUMBER	ROWS	SIGNAL						POWER			
		1	2	3	4	5	6	P1	P2	P3	P4
1-6450831-9	D	J	J	J	J	J	J	TM	TM	TM	TM
	C	K	K	K	K	K	K				
	B	N	N	N	N	N	N				
	A	S	S	S	S	S	S				
24S + 4P		HD									HD

PART NUMBER	ROWS	SIGNAL					
		1	2	3	4	5	6
2-6450831-0	D	J	J	J	J	J	J
	C	K	K	K	K	K	K
	B	N	N	N	N	N	N
	A	S	S	S	S	S	S
24S		HD					HD

PART NUMBER	ROWS	SIGNAL					
		1	2	3	4	5	6
2-6450831-1	D	J	J	J	E	E	E
	C	K	K	K	K	F	F
	B	N	N	N	N	G	G
	A	S	S	S	S	H	H
24S		HD					HD

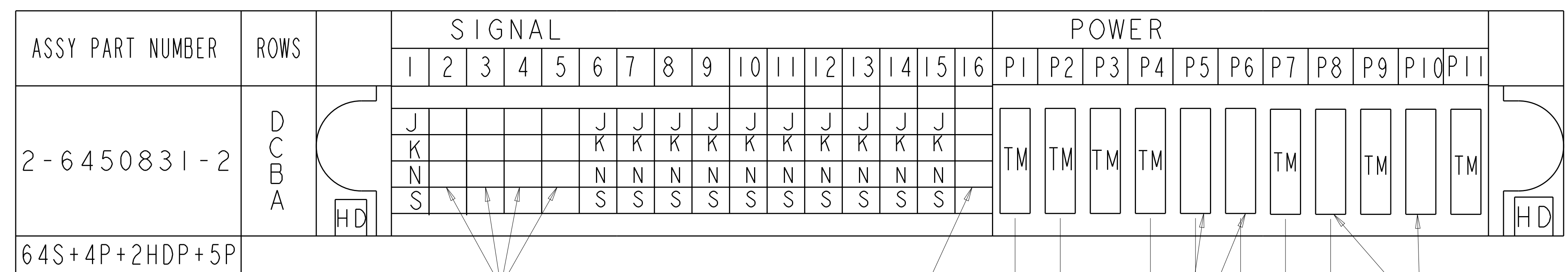
J4



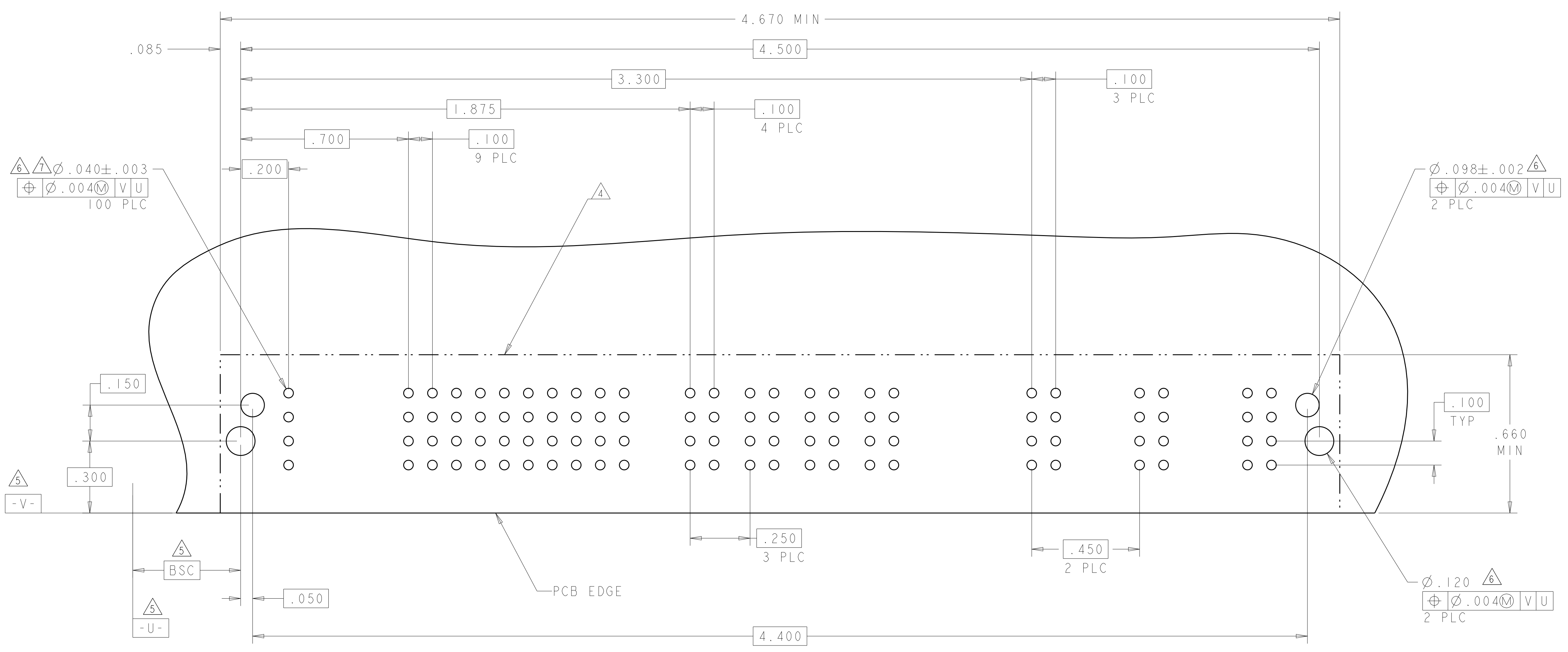
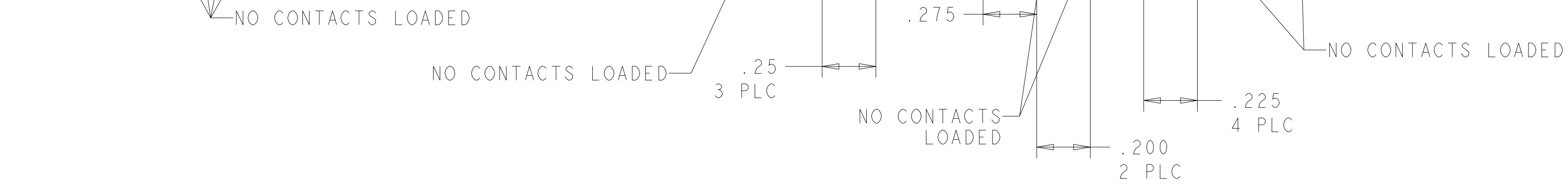
RECOMMEND PCB BOARD FOR 2-6450831-0 AND 2-6450831-1

THIS DRAWING IS A CONTROLLED DOCUMENT.		OWN: C. ZHOU 15OCT2007	TE Connectivity
DIMENSIONS: INCHES		CHK: S. ZHAO 15OCT2007	
TOLERANCES UNLESS OTHERWISE SPECIFIED:		APVD: S. YAO	NAME: R/A HEADER WITH SHORT GUIDES AND LP CONTACTS ASSEMBLY MULTI-BEAM XLE
0 PLC ± 1 PLC ±.01 2 PLC ±.01 3 PLC ±.005 4 PLC ±.002 ANGLES ±.020		PRODUCT SPEC: 108-2292	SIZE: A1
MATERIAL: FINISH:		APPLICATION SPEC: 108-13038	CAGE CODE: 6450831
		WEIGHT: Customer Drawing	RESTRICTED TO: -
		SCALE: 4:1	SHEET 11 OF 17

LOC	DIST	REV	DATE	BY	APPV
ES	00				
REVISIONS			DESCRIPTION	DATE	BY
			SEE SHEET 1		



64S+4P+2HDP+5P



THIS DRAWING IS A CONTROLLED DOCUMENT.		OWN: C. ZHOU 15OCT2007	 TE Connectivity
DIMENSIONS: INCHES		CHK: S. ZHAO 15OCT2007	
TOLERANCES UNLESS OTHERWISE SPECIFIED:		APVD: S. YAO	NAME: R/A HEADER WITH SHORT GUIDES AND LP CONTACTS ASSEMBLY MULTI-BEAM XLE
0 PLC ±.01 1 PLC ±.01 2 PLC ±.01 3 PLC ±.005 4 PLC ±.002 ANGLES ±.020 FINISH		PRODUCT SPEC: 108-2292	SIZE: A1
MATERIAL:		APPLICATION SPEC: 108-13038	CAGE CODE: 6450831
		WEIGHT:	RESTRICTED TO:
		Customer Drawing	SCALE: 4:1 SHEET 12 OF 17 REV: 7

LOC	DIST	REV	DATE	BY	APPD
ES	00				

REVISIONS		DATE	BY	APPD
-	SEE SHEET 1	-	-	-

PART NUMBER	ROWS	SIGNAL						POWER											
		1	2	3	4	5	6	P1	P2	P3	P4	P5	P6	P7	P8	P9	P10	P11	P12
2-6450831-3	D	J	J	J	J	J	J												
	C	F	K	K	K	K	K	TM	TM	TM	TM	TM	TM	TM	TM	TM	TM	TM	
	B	N	G	G	N	N	N												
	A	H	S	S	S	H	S												

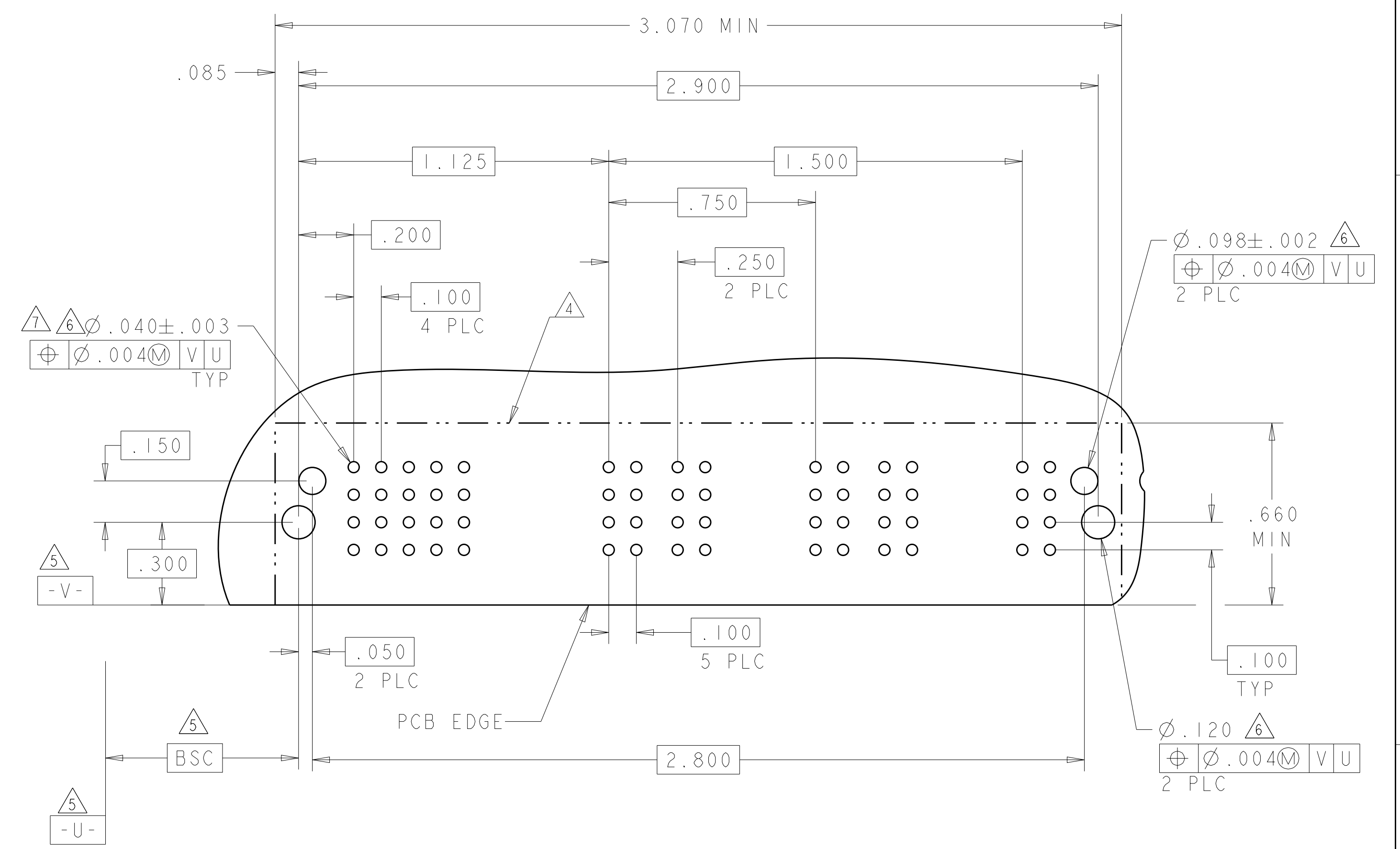
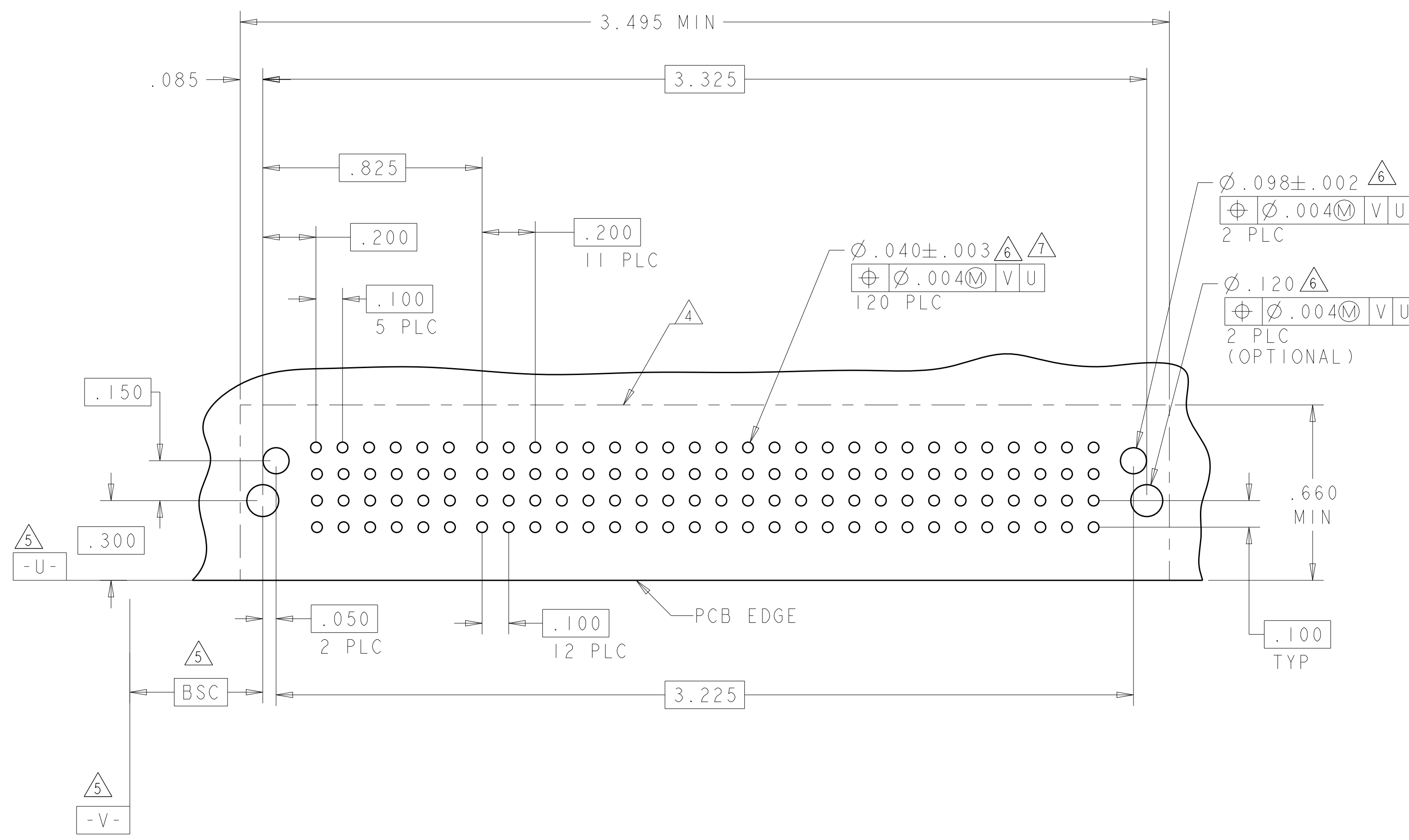
24S + 12HDP

PART NUMBER	ROWS	SIGNAL						POWER										
		1	2	3	4	5	6	P1	P2	P3	P4	P5	P6	P7	P8			
2-6450831-4	D	J	J	J	J	J	J											
	C	K	K	K	K	K	K	TM	TM									
	B	N	N	N	N	N	N											
	A	S	S	S	S	S	S											

24S + 8P

NO CONTACTS LOADED

NO CONTACTS LOADED



THIS DRAWING IS A CONTROLLED DOCUMENT.

DIMENSIONS:	TOLERANCES UNLESS OTHERWISE SPECIFIED:	DWG: C.ZHOU 15OCT2007	CHK: S.ZHAO 15OCT2007
INCHES	0 PLC ±.01 1 PLC ±.01 2 PLC ±.01 3 PLC ±.005 4 PLC ±.002 ANGLES ±.020	APVD: S.YAO	NAME: R/A HEADER WITH SHORT GUIDES AND LP CONTACTS ASSEMBLY MULTI-BEAM XLE
MATERIAL:	FINISH:	PRODUCT SPEC: 108-2292	APPLICATION SPEC: 108-13038
		WEIGHT:	RESTRICTED TO: A100779C=6450831

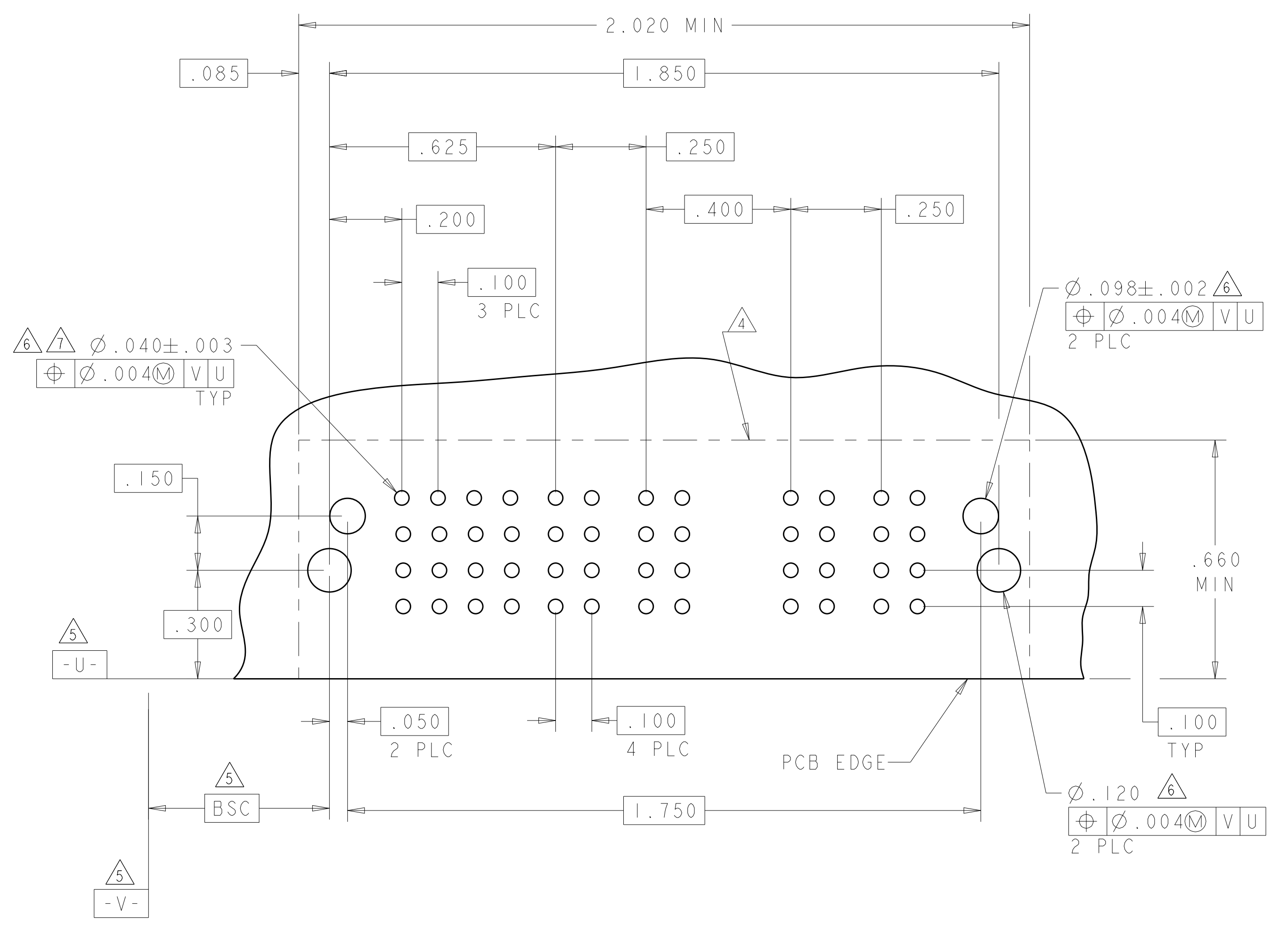
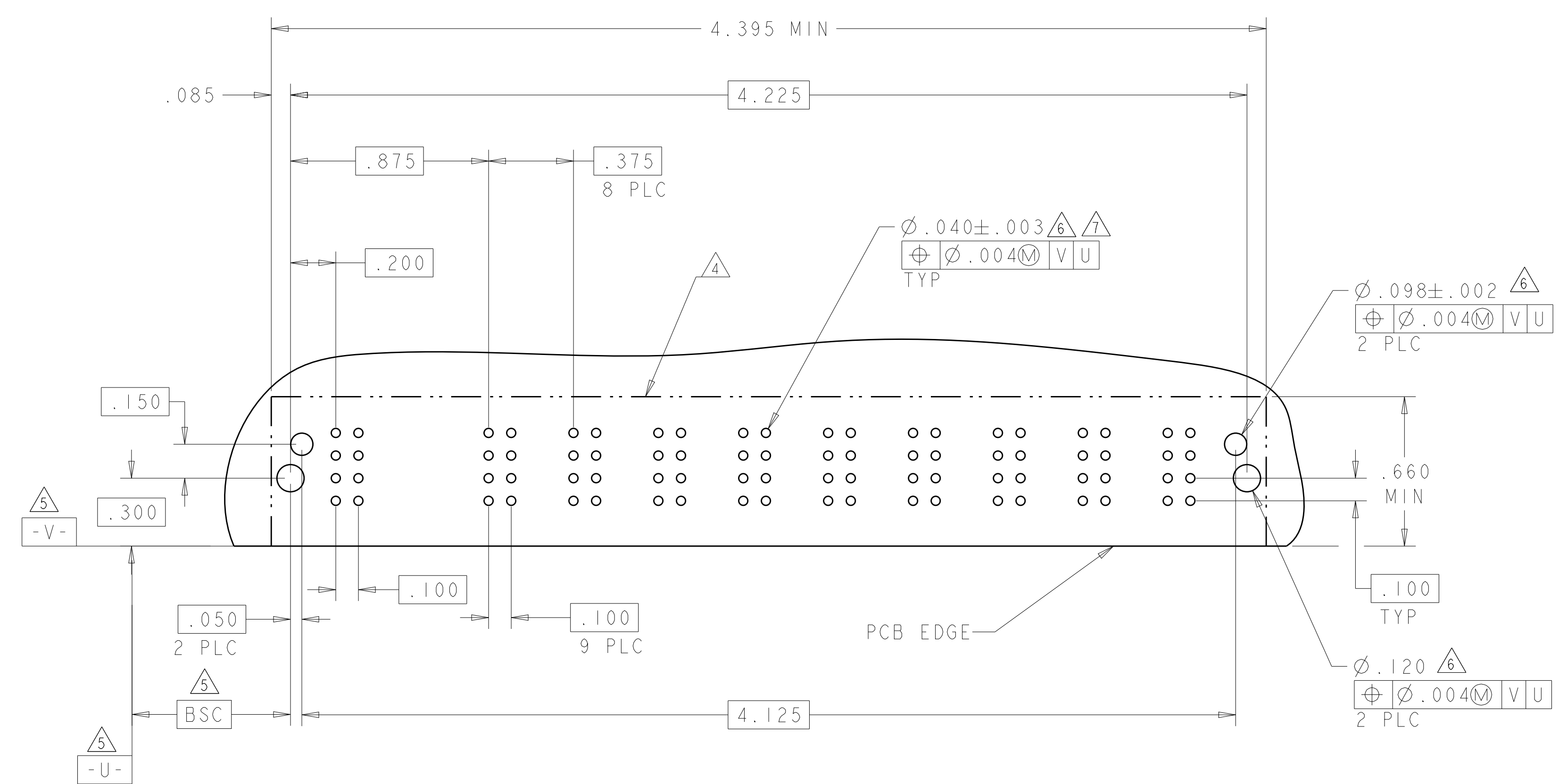
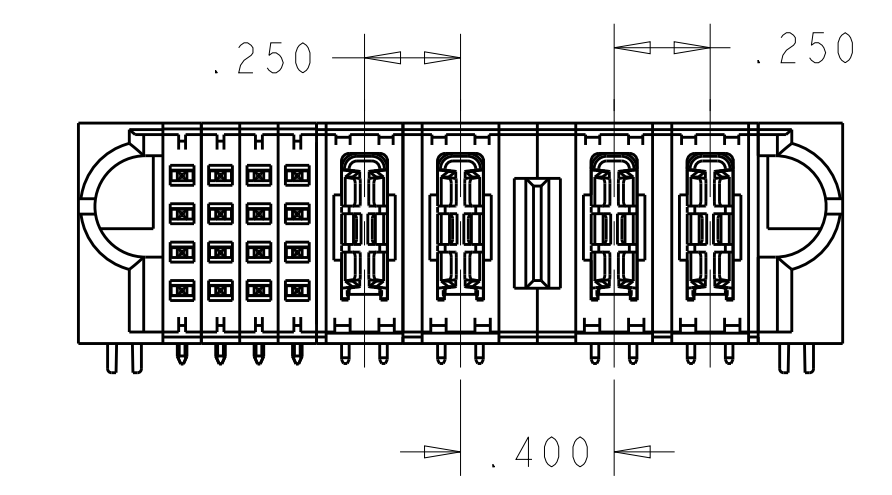
Customer Drawing SCALE 4:1 SHEET 13 OF 17 REV L7

LOC	DIST	REVISIONS			
P	LTN	DESCRIPTION	DATE	DMN	APVD
ES	00	SEE SHEET 1			

PART NUMBER	ROWS	SIGNAL						POWER									
		I	2	3	4	5	6	P1	P2	P3	P4	P5	P6	P7	P8	P9	
2-6450831-5	D	J	J														
	C	K	K					TM	TM	TM	TM	TM	TM	TM	TM	TM	
	B	N	N														
	A	S	S														

NO CONTACTS LOADED

PART NUMBER	ROWS	SIGNAL				POWER			
		I	2	3	4	P1	P2	P3	P4
2-6450831-6	D	J	E	J	J				
	C	K	K	K	K	TM	TM		
	B	N	N	N	N			TM	TM
	A	S	S	S	H				



THIS DRAWING IS A CONTROLLED DOCUMENT.

DIMENSIONS:	TOLERANCES UNLESS OTHERWISE SPECIFIED:	DMN	C. ZHOU	15OCT2007
INCHES	0 PLC ± .01	CHK	S. ZHAO	15OCT2007
	1 PLC ± .01	APVD	S. YAO	
	2 PLC ± .01	PRODUCT SPEC		
	3 PLC ± .01	APPLICATION SPEC		
	4 PLC ± .005	108-2292		
	ANGLES ± .0020	108-13038		
MATERIAL	FINISH	WEIGHT		

Customer Drawing

SCALE 4:1 SHEET 14 OF 17 REV L7

STE TE Connectivity

R/A HEADER WITH SHORT GUIDES AND LP CONTACTS ASSEMBLY MULTI-BEAM XLE

SIZE CAGE CODE DRAWING NO RESTRICTED TO

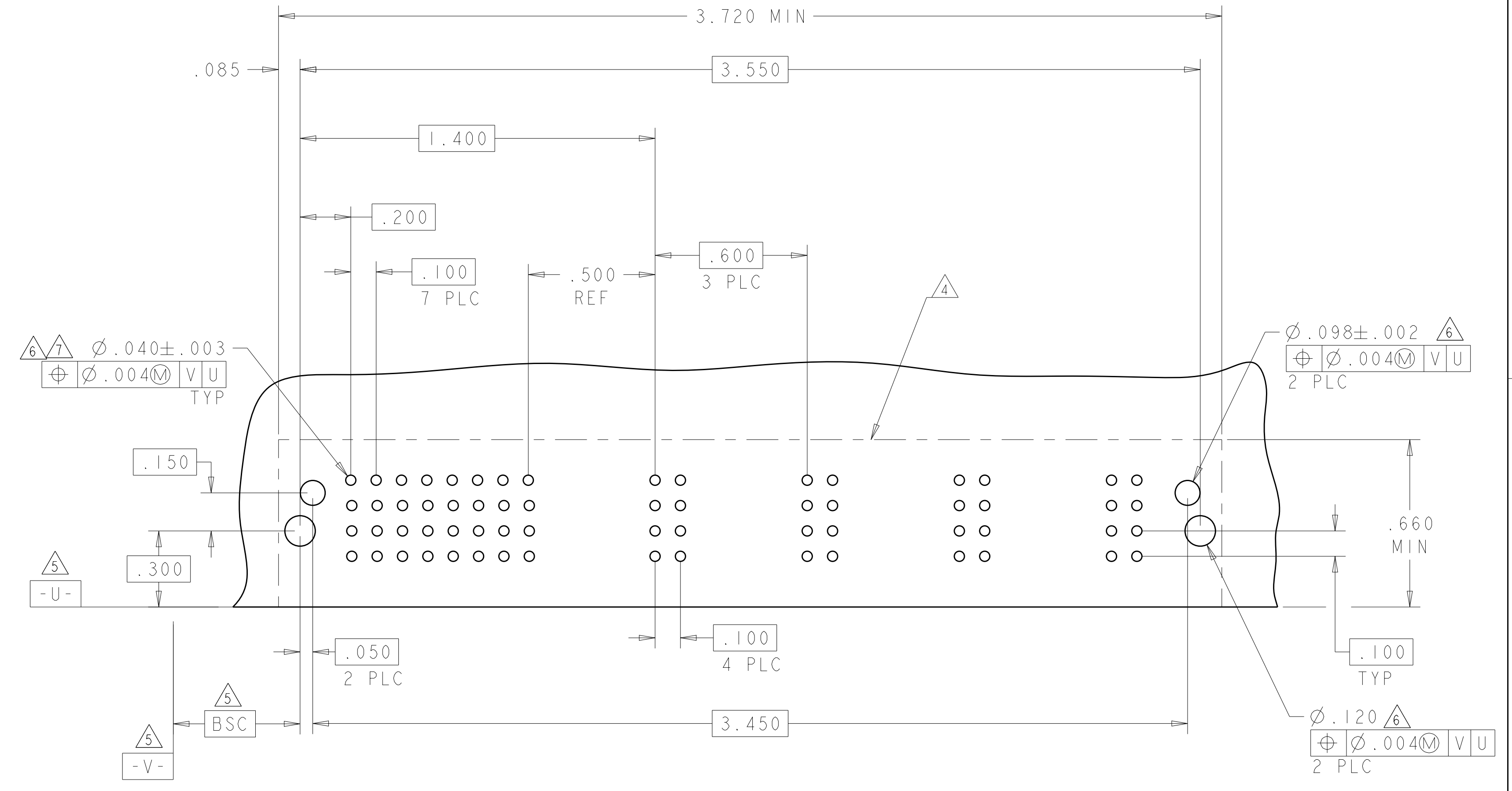
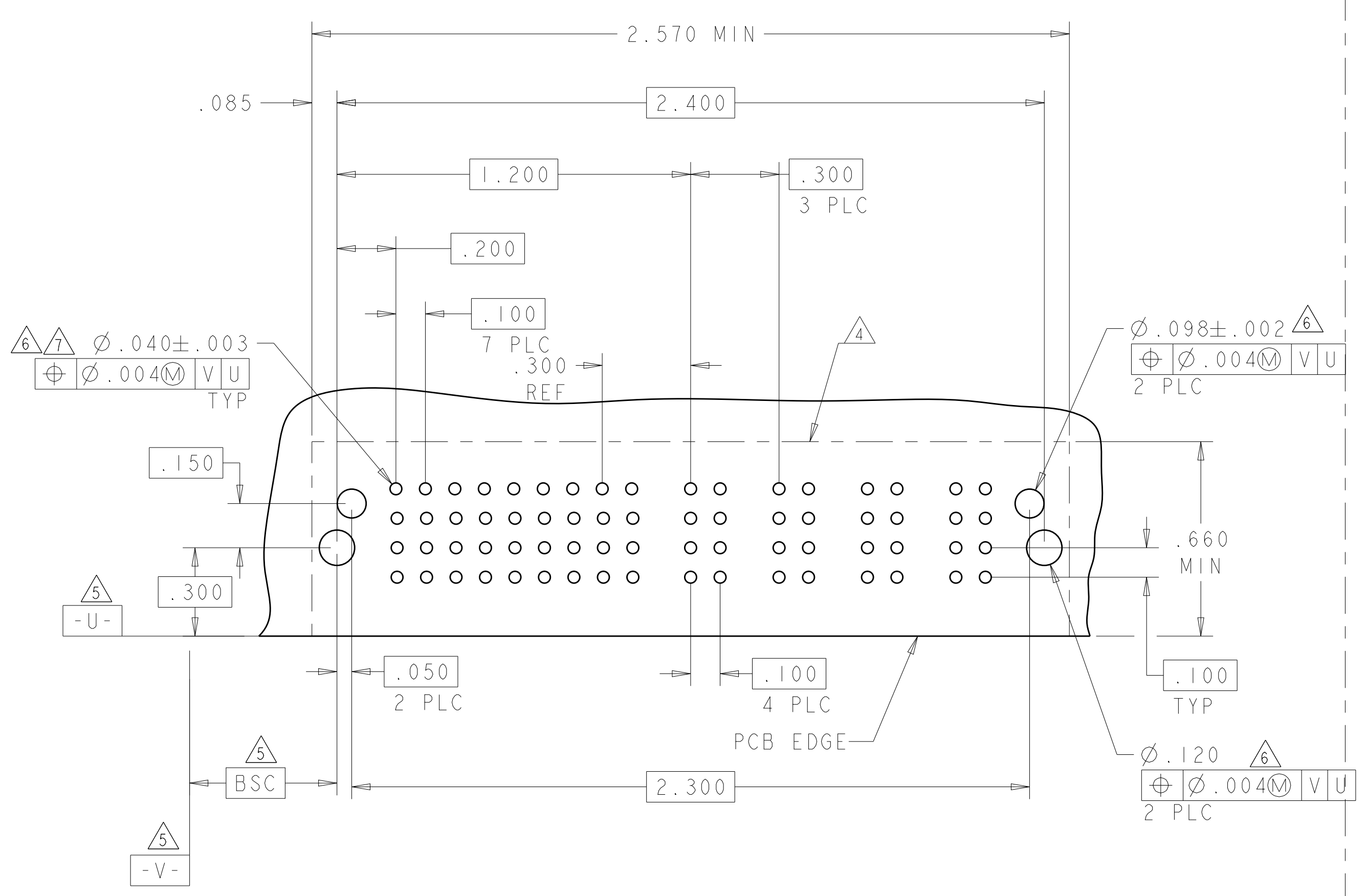
A100779C=6450831

LOC		DIST		REVISONS			
ES	00	P	LTN	DESCRIPTION	DATE	DWN	APVD
				SEE SHEET 1			

PART NUMBER	ROWS	SIGNAL								POWER			
		1	2	3	4	5	6	7	8	P1	P2	P3	P4
2-6450831-7	D	J	J	J	J	J	J	J	J				
	C	K	K	K	K	K	K	K	K				
	B	N	N	N	N	N	N	N	N				
	A	S	S	S	S	S	S	S	S				
32S + 4ACP													

PART NUMBER	ROWS	SIGNAL								POWER							
		1	2	3	4	5	6	7	8	P1	P2	P3	P4	P5	P6	P7	P8
2-6450831-8	D	E	J	J	J	J	J	J	J								
	C	K	K	K	K	K	K	K	K								
	B	N	N	N	N	N	N	N	N								
	A	S	S	S	S	S	S	S	S	FS							
32S + 8ACP																	

NO CONTACTS LOADED



THIS DRAWING IS A CONTROLLED DOCUMENT.

DIMENSIONS:	TOLERANCES UNLESS OTHERWISE SPECIFIED:	DWN: C. ZHOU 15OCT2007	CHK: S. ZHAO 15OCT2007	TE Connectivity	
INCHES	0 PLC ± 1 PLC ±.01 2 PLC ±.01 3 PLC ±.005 4 PLC ±.0020 ANGLES ±.2°	APVD: S. YAO	NAME: R/A HEADER WITH SHORT GUIDES AND LP CONTACTS ASSEMBLY MULTI-BEAM XLE	PRODUCT SPEC: 108-2292	RESTRICTED TO:
MATERIAL:	FINISH:	APPLICATION SPEC: 108-13038	SIZE: A1	CAGE CODE: 6450831	DRAWING NO: 100779
		WEIGHT:	SCALE: 4:1	SHEET: 15	OF: 17
		Customer Drawing		REV: 7	

LOC	DIST	REV	DATE	APPD
ES	00			

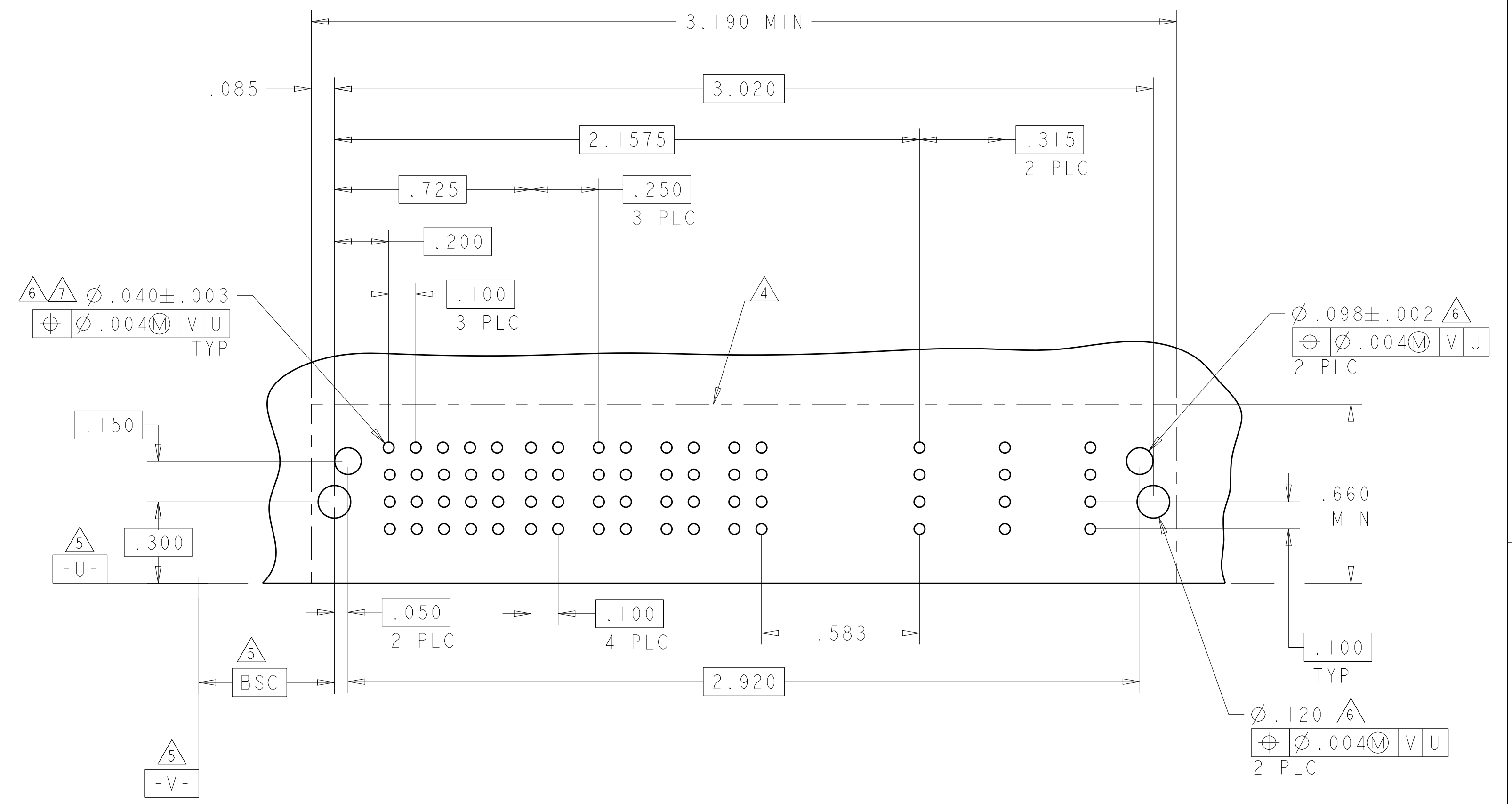
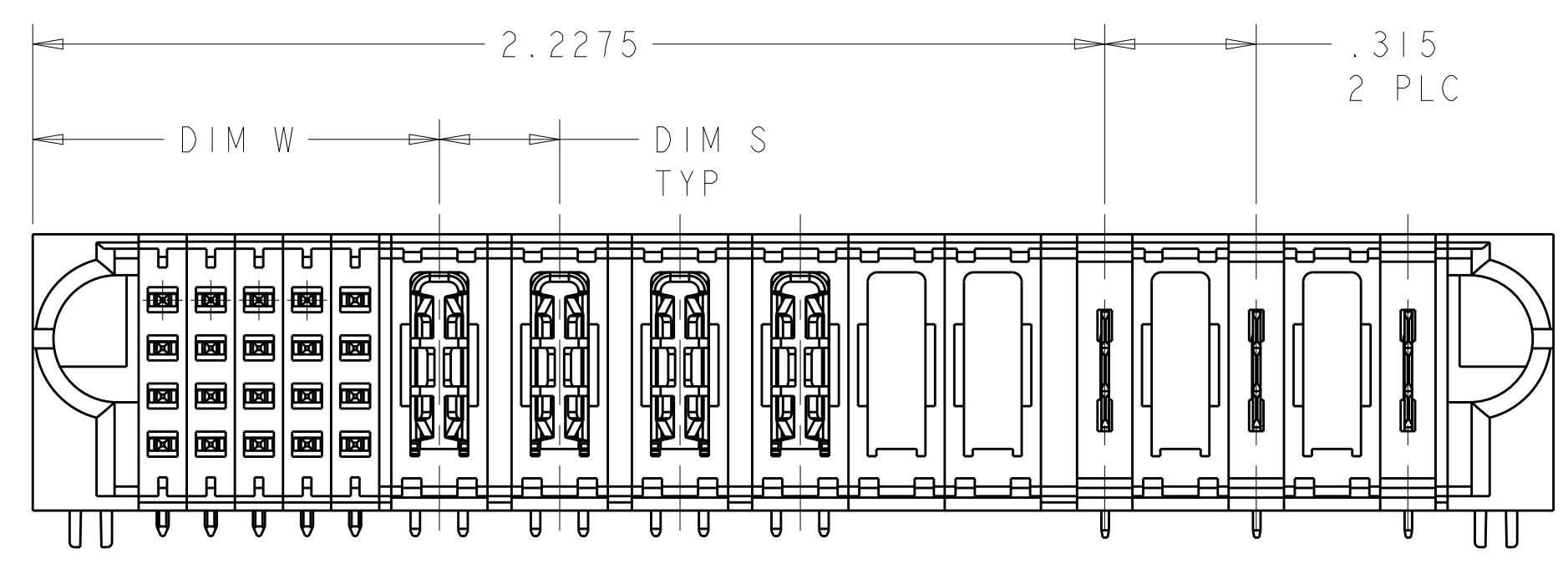
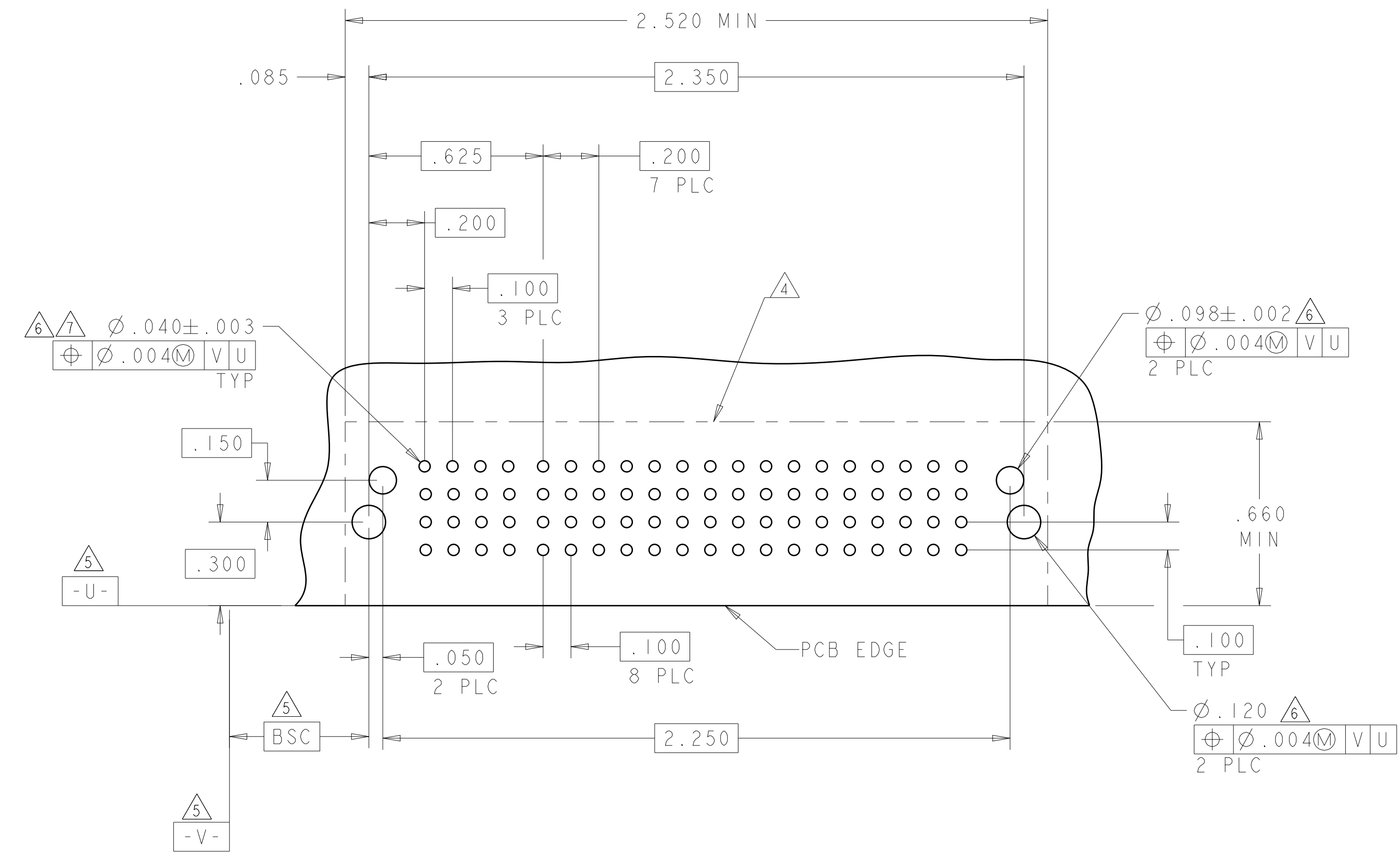
REVISIONS				
REV	DATE	APPD	DESCRIPTION	BY
-	-	-	SEE SHEET 1	-

PART NUMBER	ROWS	SIGNAL				POWER								
		I	2	3	4	P1	P2	P3	P4	P5	P6	P7	P8	
2-6450831-9	D	J	J	J	J									
	C	K	K	K	K	TM	TM	TM	TM	TM	TM	TM	TM	
	B	N	G	N	N									
	A	HD	S	S	S	S							HD	

16S + 8HDP

PART NUMBER	ROWS	SIGNAL					POWER				LOW POWER		
		I	2	3	4	5	P1	P2	P3	P4	LP1	LP2	LP3
3-6450831-0	D	J	J	J	J	J							
	C	K	K	K	K	K	TM	TM	TM	TM	LM	LM	LMF
	B	N	N	N	N	N							
	A	HD	H	H	H	S							HD

20S + 4P + 3LP



THIS DRAWING IS A CONTROLLED DOCUMENT.

DIMENSIONS:	TOLERANCES UNLESS OTHERWISE SPECIFIED:	DWN	C. ZHOU	15OCT2007
INCHES	0 PLC ± .01	CHK	S. ZHAO	15OCT2007
	1 PLC ± .01	APPD	S. YAO	-
	2 PLC ± .01	PRODUCT SPEC		
	3 PLC ± .01	APPLICATION SPEC		
	4 PLC ± .005	108-2292		
	ANGLES ± .0020	108-13038		
MATERIAL	FINISH	WEIGHT		

Customer Drawing

STE TE Connectivity

R/A HEADER WITH SHORT GUIDES AND LP CONTACTS ASSEMBLY MULTI-BEAM XLE

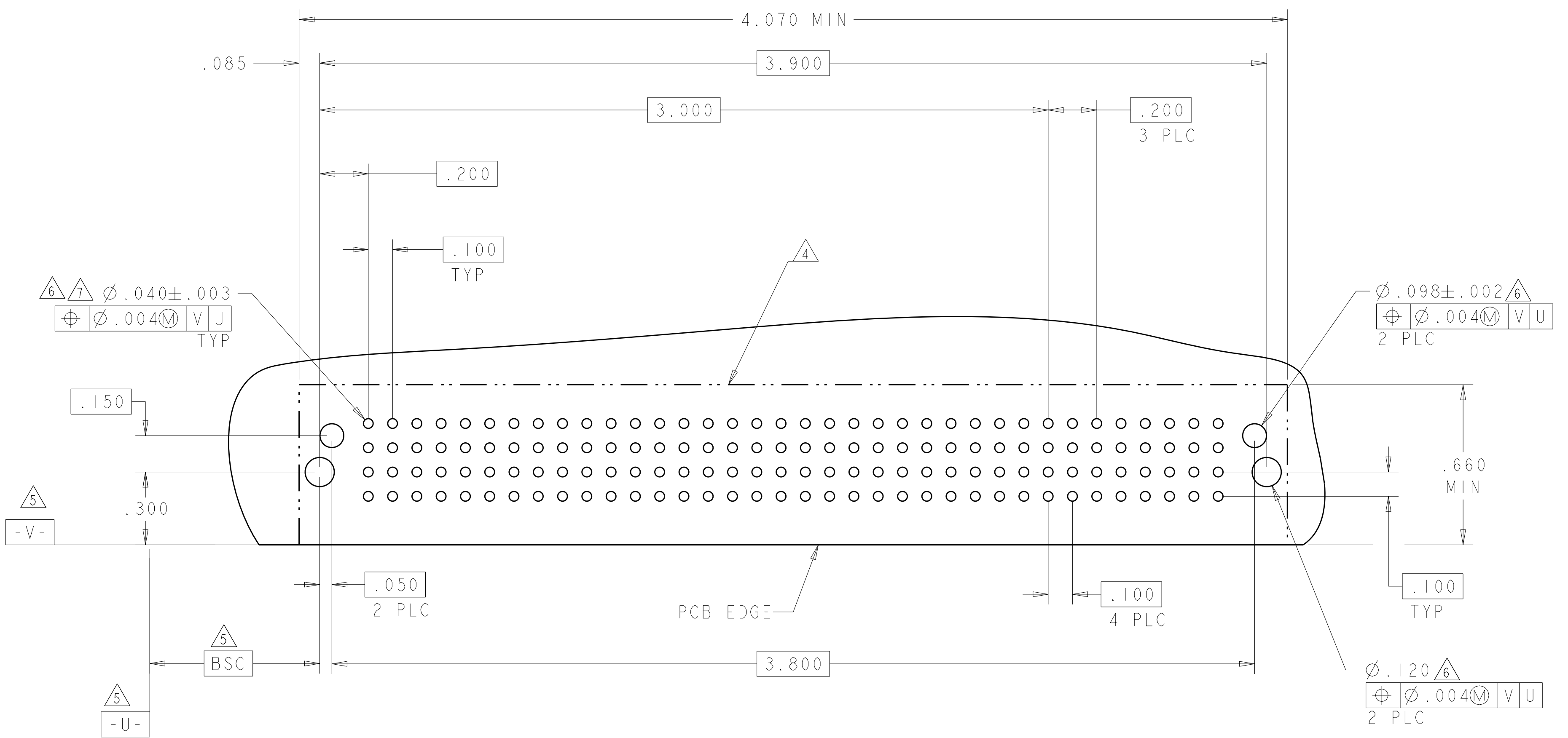
SIZE: CAGE CODE: DRAWING NO: A100779 ©=6450831

RESTRICTED TO: -

SCALE: 4:1 SHEET 16 OF 17 REV: L7

LOC		DIST		REVISONS			
P	LTN	DESCRIPTION	DATE	DWN	APVD		
-	-	SEE SHEET 1	-	-	-		

PART NUMBER	ROWS	SIGNAL																										POWER						
		1	2	3	4	5	6	7	8	9	10	11	12	13	14	15	16	17	18	19	20	21	22	23	24	25	26	27	28	P1	P2	P3	P4	
3-6450831-4	D	J	J	J	J	J	J	J	J	J	J	J	J	J	J	J	J	J	J	J	J	J	J	J	J	J	J	J	J	J	TM	TM	TM	TM
	C	K	K	K	K	K	K	K	K	K	K	K	K	K	K	K	K	K	K	K	K	K	K	K	K	K	K	K	K					
	B	N	N	N	N	N	N	N	N	N	N	N	N	N	N	N	N	N	N	N	N	N	N	N	N	N	N	N	N	N				
	A	S	S	S	S	S	S	S	S	S	S	S	S	S	S	S	S	S	S	S	S	S	S	S	S	S	S	S	S					
112S + 4HDP																																		



THIS DRAWING IS A CONTROLLED DOCUMENT.			OWN: C. ZHOU 15OCT2007	STE TE Connectivity
DIMENSIONS: INCHES			CHK: S. ZHAO 15OCT2007	
TOLERANCES UNLESS OTHERWISE SPECIFIED:			APVD: S. YAO	NAME: R/A HEADER WITH SHORT GUIDES AND LP CONTACTS ASSEMBLY MULTI-BEAM XLE
0 PLC $\pm .01$ 1 PLC $\pm .01$ 2 PLC $\pm .01$ 3 PLC $\pm .005$ 4 PLC $\pm .002$ ANGLES $\pm .2^\circ$			PRODUCT SPEC: 108-2292	SIZE: A100779 CAGE CODE: C=6450831 DRAWING NO: 108-13038 WEIGHT: - MATERIAL: - FINISH: -
MATERIAL: -			APPLICATION SPEC: 108-13038	
FINISH: -			RESTRICTED TO: -	
Customer Drawing			SCALE: 4:1	SHEET: 17 OF 17
				REV: 7



Компания «ЭлектроПласт» предлагает заключение долгосрочных отношений при поставках импортных электронных компонентов на взаимовыгодных условиях!

Наши преимущества:

- Оперативные поставки широкого спектра электронных компонентов отечественного и импортного производства напрямую от производителей и с крупнейших мировых складов;
- Поставка более 17-ти миллионов наименований электронных компонентов;
- Поставка сложных, дефицитных, либо снятых с производства позиций;
- Оперативные сроки поставки под заказ (от 5 рабочих дней);
- Экспресс доставка в любую точку России;
- Техническая поддержка проекта, помощь в подборе аналогов, поставка прототипов;
- Система менеджмента качества сертифицирована по Международному стандарту ISO 9001;
- Лицензия ФСБ на осуществление работ с использованием сведений, составляющих государственную тайну;
- Поставка специализированных компонентов (Xilinx, Altera, Analog Devices, Intersil, Interpoint, Microsemi, Aeroflex, Peregrine, Syfer, Eurofarad, Texas Instrument, Miteq, Cobham, E2V, MA-COM, Hittite, Mini-Circuits, General Dynamics и др.);

Помимо этого, одним из направлений компании «ЭлектроПласт» является направление «Источники питания». Мы предлагаем Вам помощь Конструкторского отдела:

- Подбор оптимального решения, техническое обоснование при выборе компонента;
- Подбор аналогов;
- Консультации по применению компонента;
- Поставка образцов и прототипов;
- Техническая поддержка проекта;
- Защита от снятия компонента с производства.



Как с нами связаться

Телефон: 8 (812) 309 58 32 (многоканальный)

Факс: 8 (812) 320-02-42

Электронная почта: org@eplast1.ru

Адрес: 198099, г. Санкт-Петербург, ул. Калинина, дом 2, корпус 4, литера А.