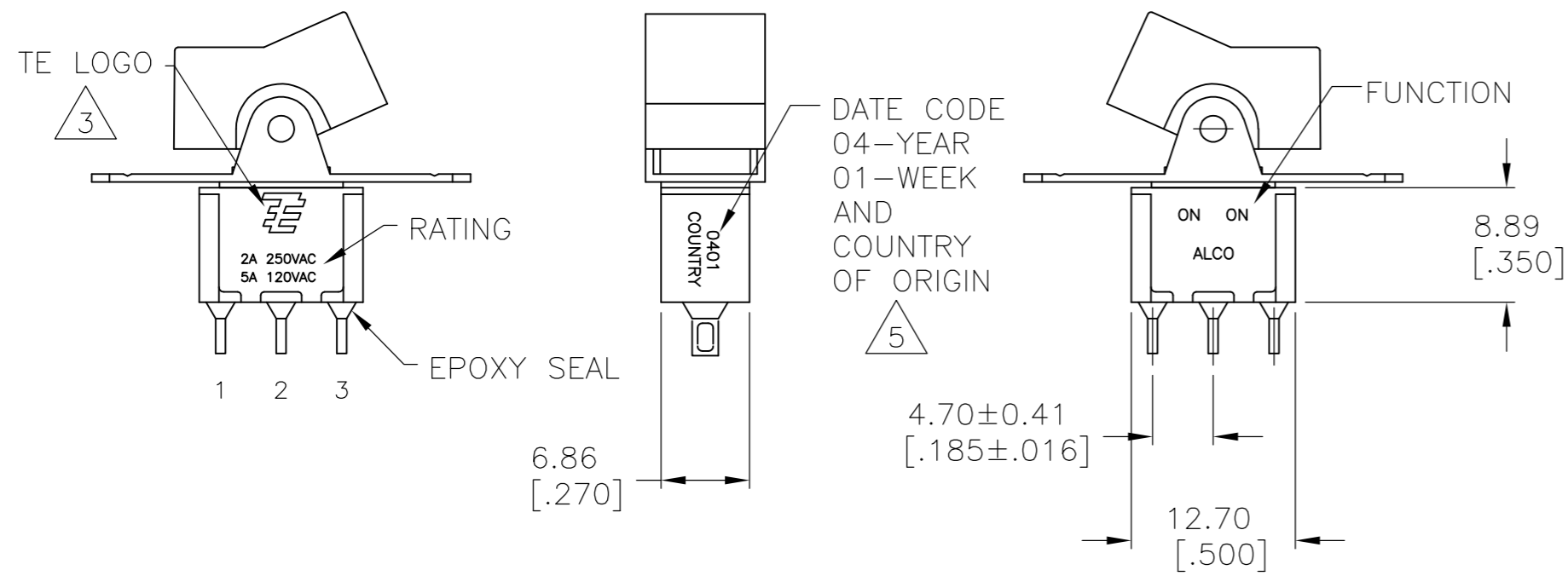


THIS DRAWING IS UNPUBLISHED. RELEASED FOR PUBLICATION
 © COPYRIGHT - By - ALL RIGHTS RESERVED.

LOC		DIST		REVISIONS			
P	LTR	DESCRIPTION		DATE	DWN	APVD	
AD	00	A9		REVISED PER ECO-14-005988	23APR2014	NK	RH



- ALL MATERIALS AND FINISHES SHALL COMPLY WITH EU DIRECTIVE 2002/95/EC OF 27JAN2003 (ROHS).
 - G CONTACT OPTION CAN BE USED FOR SIGNAL OR POWER LEVEL SWITCHING. IF SWITCH IS USED AT LEVELS EXCEEDING .4VA @ 20V AC/DC, SWITCH IS RENDERED FOR POWER SWITCHING ONLY DUE TO ARC REMOVAL OF GOLD PLATING. RATING MARKED ON SWITCH IS 2A 250VAC, 5A 120VAC.
- △3 TE CONNECTIVITY LOGO PER PER TEC-202-36.
- △5 DATE CODE AND COUNTRY OF ORIGIN MAY APPEAR ON EITHER SIDE OF SWITCH.
- 6 PANEL MOUNT BRACKET SUPPLIED WITH TERMINALS W, Z AND Z3 ONLY.
- △7 ACTUATOR MARKED -
- △8 ACTUATOR MARKED -
- △9 ACTUATOR MARKED -
- 10 ALL LOGO, RATING, DATE CODE, AND FUNCTION MARKINGS TO BE LASER MARKED.

FUNCTION CHART			
FUNCTION			
	1 2 3	1 2 3	1 2 3
01	ON	NONE	ON
03	ON	OFF	ON
05	(ON)	OFF	(ON)
07	ON	OFF	(ON)
08	ON	NONE	(ON)
TERMINALS CONNECTED	2-3	---	1-2

NONE: NO MECHANICAL POSITION
 OFF: MECHANICAL POSITION WITH NO ELECTRICAL CONNECTION
 (ON): MOMENTARY ACTION

SPECIFICATIONS	
RATING, B CONTACTS	.4VA MAX @20V MAX. AC OR DC
RATING, G CONTACTS-SEE NOTE 2	.4VA MAX @20V MAX. AC OR DC OR
	5A @120 VAC OR 28 VDC (RESISTIVE)
RATING, Q CONTACTS	2A @250 VAC (RESISTIVE)
	5A @120 VAC OR 28 VDC (RESISTIVE)
ELECTRICAL LIFE	6,000 CYCLES AT RATED LOAD
CONTACT RESISTANCE	10 MILLIOHMS MAX INITIAL @ 2-4VDC, 100MA
INSULATION RESISTANCE	1,000 MEGOHMS MIN
DIELECTRIC WITHSTANDING VOLTAGE	1,000 V RMS AT SEA LEVEL
OPERATING TEMPRATURE	-30C TO 85C

PART NUMBER SEQUENCE CHART							
MODEL	FUNCTION	ACTUATOR	TERMINAL	CONTACT	ACTUATOR COLOR	BEZEL COLOR	ROHS
A1							04
	01	J1	A	B	0 BLACK (STD)	0 BLACK (STD)	
	03	J3	AV2	G	1 BROWN	1 BROWN	
	05	J50	C	Q	2 RED	2 RED	
	07	J51	V3		3 ORANGE	3 ORANGE	
	08	J52	V4		4 YELLOW	4 YELLOW	
		J2	V6		5 GREEN	5 GREEN	
		J4	V7		6 BLUE	6 BLUE	
		J60	W		8 GRAY	8 GRAY	
		J61	W4		9 WHITE	9 WHITE	
		J62	Z				
			Z3				

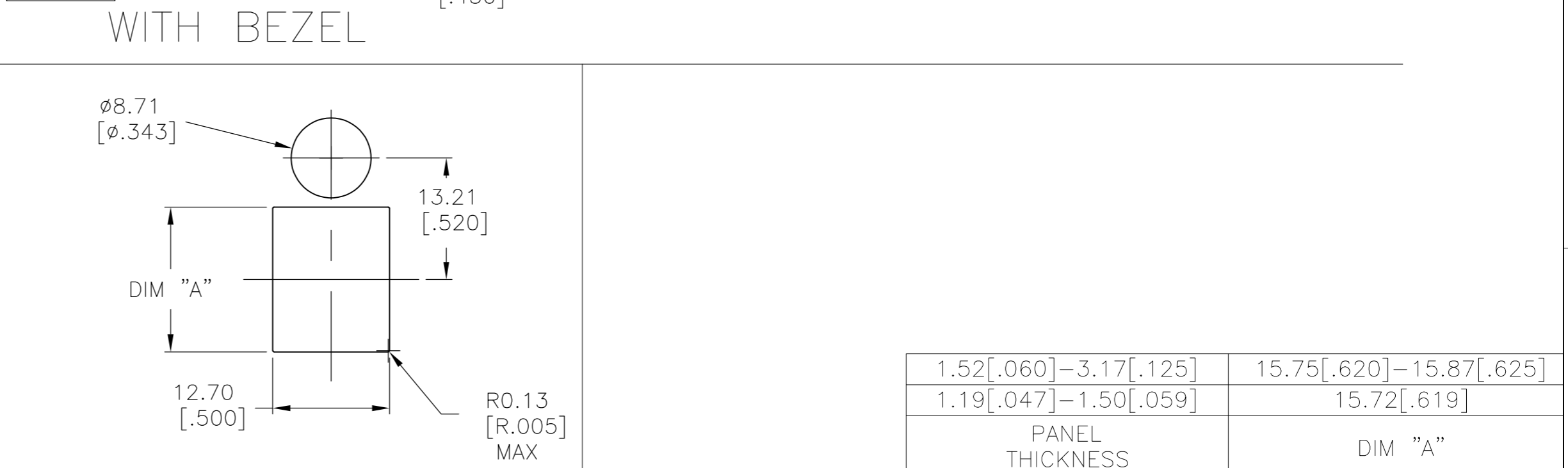
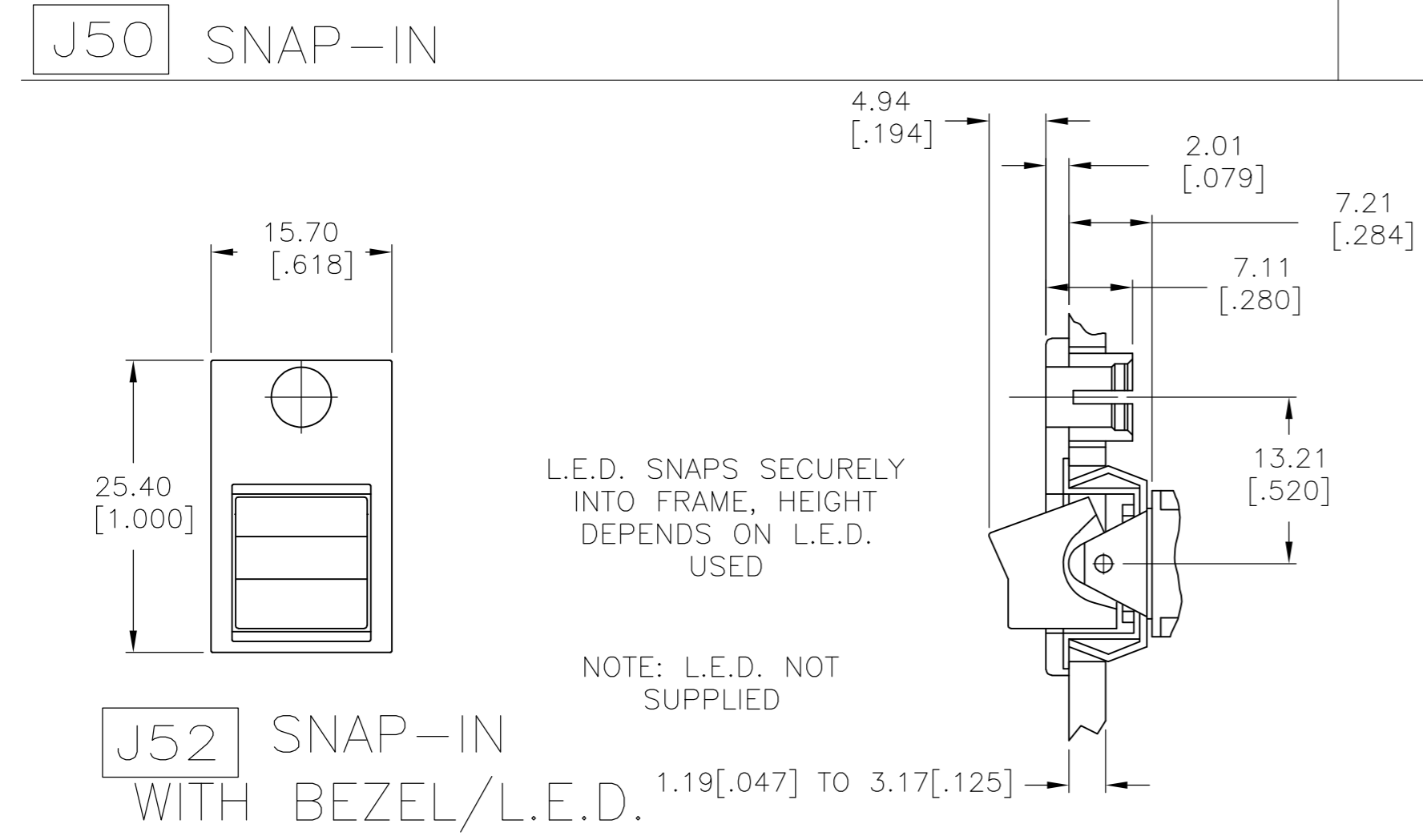
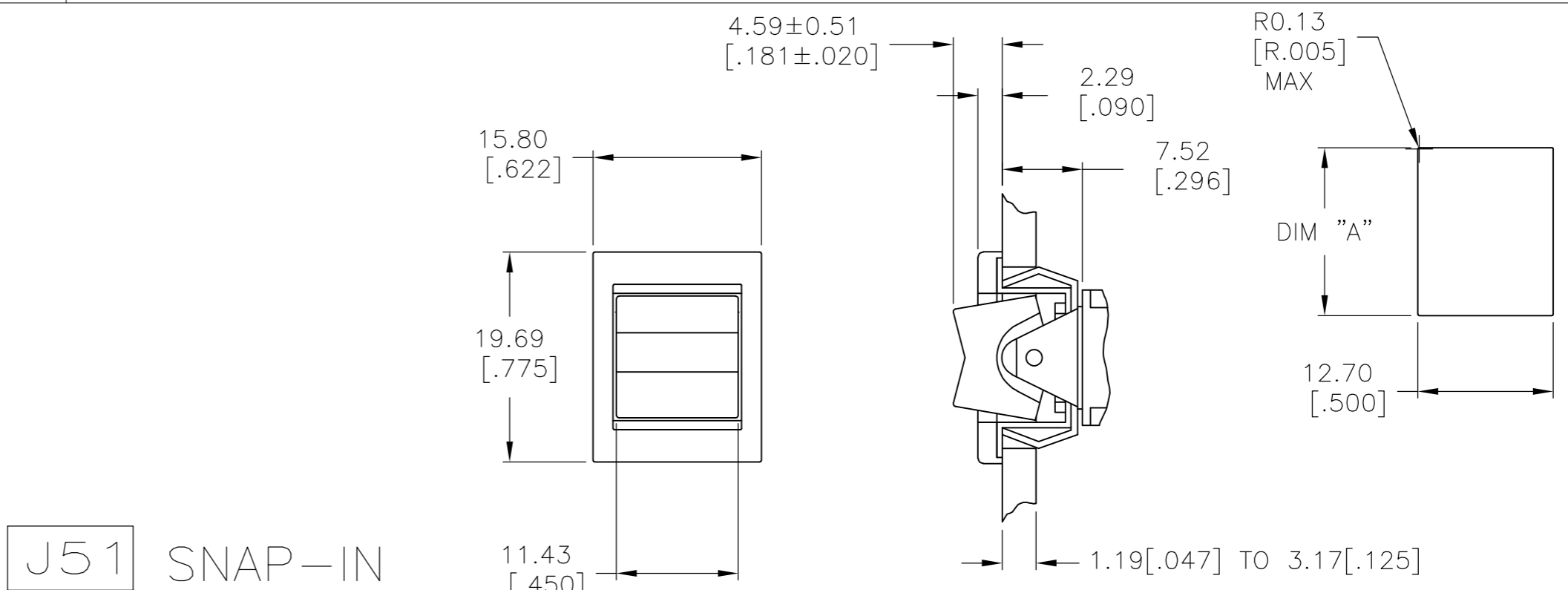
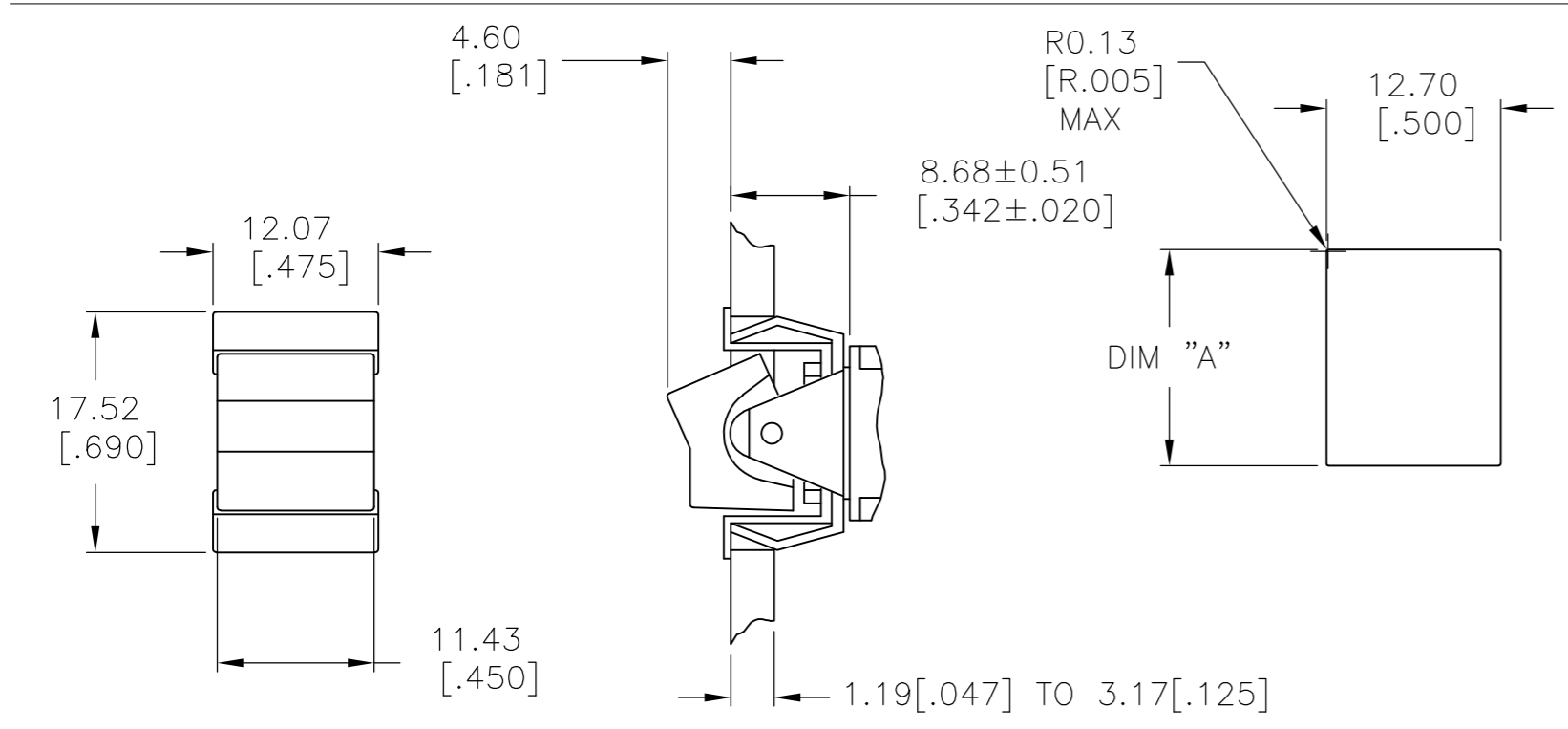
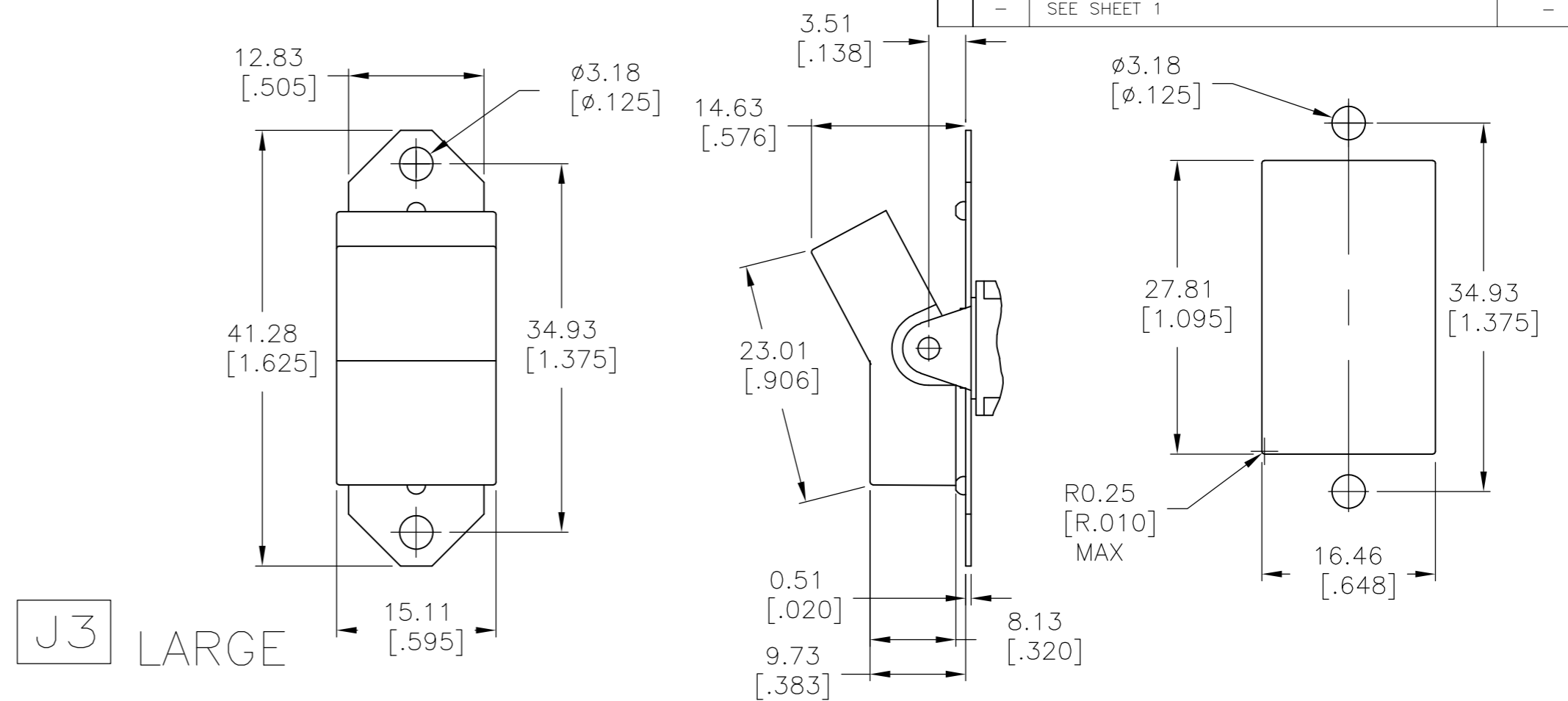
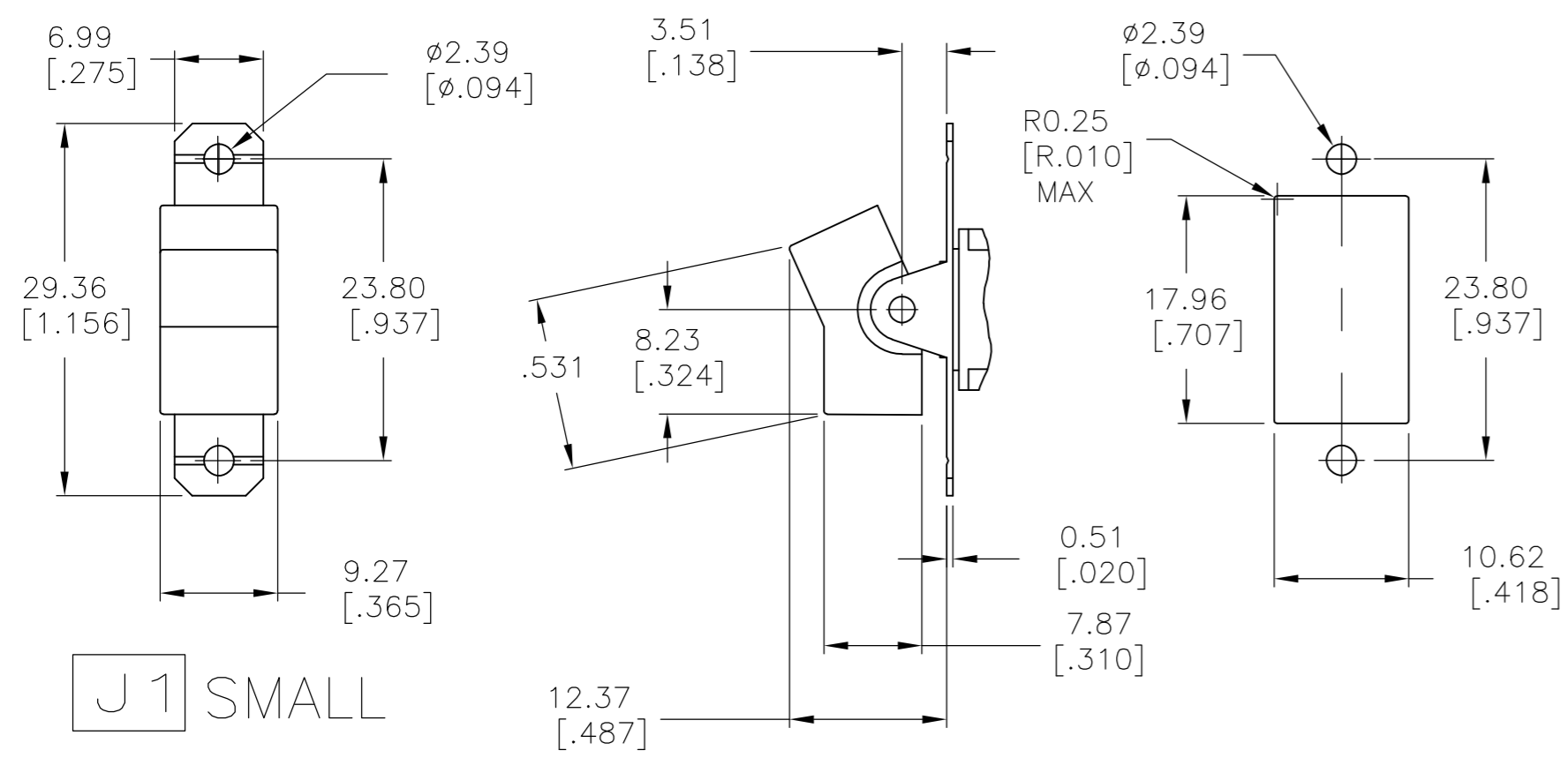
THIS DRAWING IS A CONTROLLED DOCUMENT.

DIMENSIONS: mm [INCHES]	TOLERANCES UNLESS OTHERWISE SPECIFIED: 0 PLC ± - 1 PLC ± - 2 PLC ± - 3 PLC ± 0.25[0.01] 4 PLC ± - ANGLES ± 4°	DWN M.BINNER 06JAN05 CHK M.ZITTO 06JAN05 APVD M.ZITTO 06JAN05 PRODUCT SPEC APPLICATION SPEC	NAME GEMINI A SERIES ROCKER SWITCH SINGLE POLE
MATERIAL	FINISH	WEIGHT	SIZE A2 CAGE CODE 00779 DRAWING NO C=1571986 RESTRICTED TO
CUSTOMER DRAWING		SCALE 2:1	SHEET 1 of 5 REV A9

TE Connectivity

THIS DRAWING IS UNPUBLISHED. RELEASED FOR PUBLICATION
 © COPYRIGHT - By - ALL RIGHTS RESERVED.

LOC		DIST		REVISIONS			
P	LTR	DESCRIPTION	DATE	DWN	APVD		
AD	00	SEE SHEET 1	-	-	-		

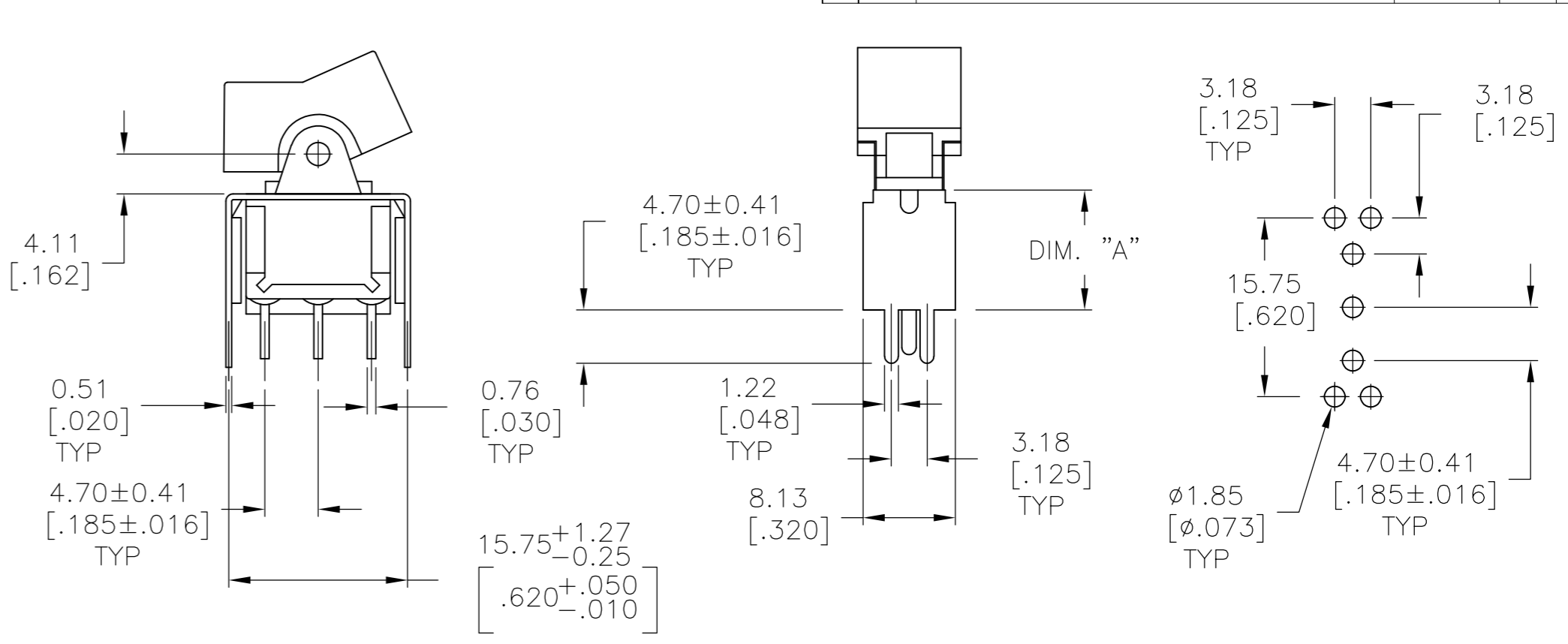
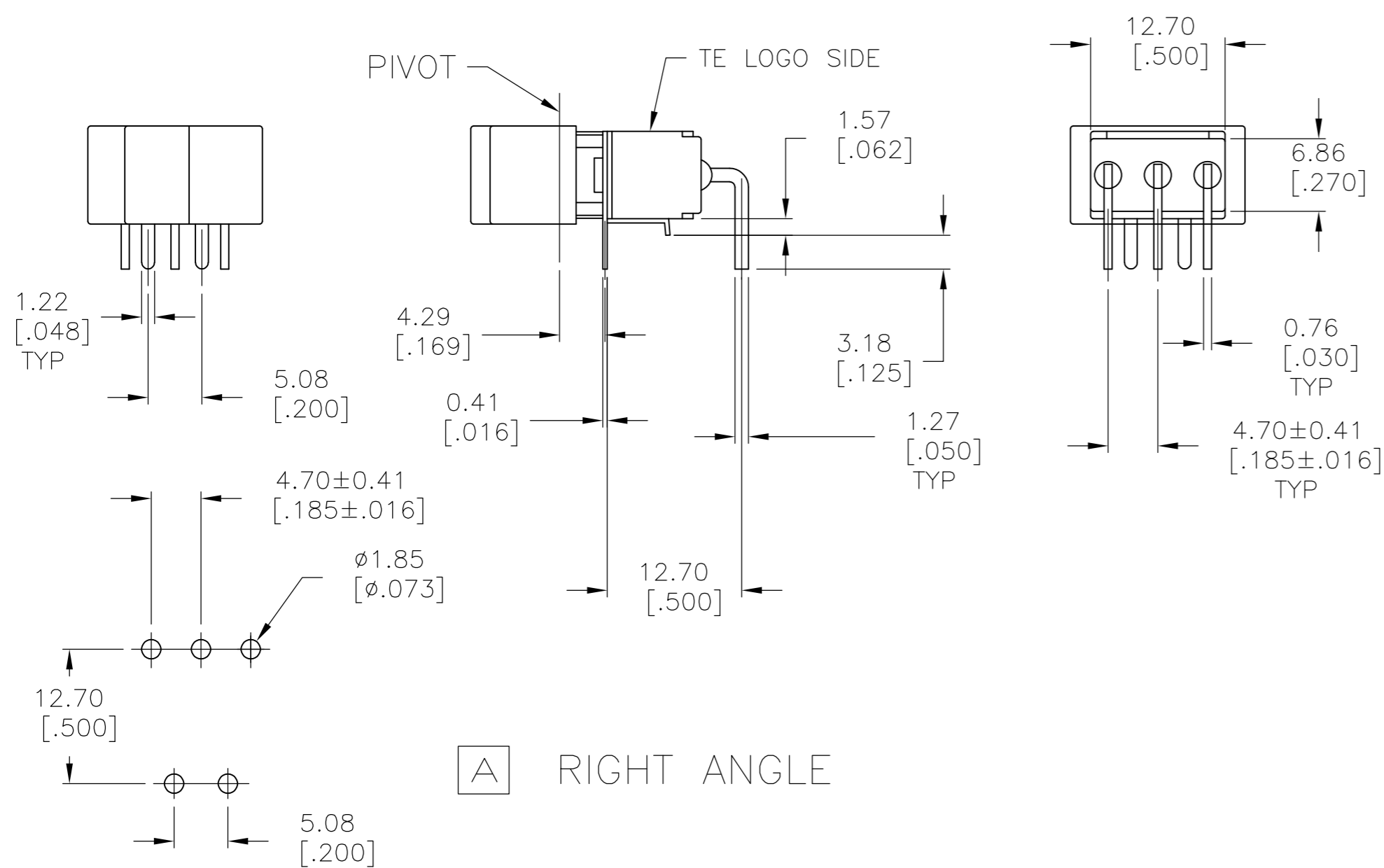


1.52[.060]-3.17[.125]	15.75[.620]-15.87[.625]
1.19[.047]-1.50[.059]	15.72[.619]
PANEL THICKNESS	DIM "A"

THIS DRAWING IS A CONTROLLED DOCUMENT.		DWN	M.BINNER	06JAN05
DIMENSIONS: mm [INCHES]		CHK	M.ZITTO	06JAN05
TOLERANCES UNLESS OTHERWISE SPECIFIED:		APVD	M.ZITTO	06JAN05
0 PLC	± -	NAME		
1 PLC	± -	GEMINI A SERIES ROCKER SWITCH SINGLE POLE		
2 PLC	± -	SIZE	A2	CAGE CODE
3 PLC	± 0.25[0.01]	DRAWING NO	00779	RESTRICTED TO
4 PLC	± -	SCALE	2:1	SHEET
ANGLES	± 4°	REV	A9	
MATERIAL	-	CUSTOMER DRAWING		

THIS DRAWING IS UNPUBLISHED. RELEASED FOR PUBLICATION
 © COPYRIGHT - By - ALL RIGHTS RESERVED.

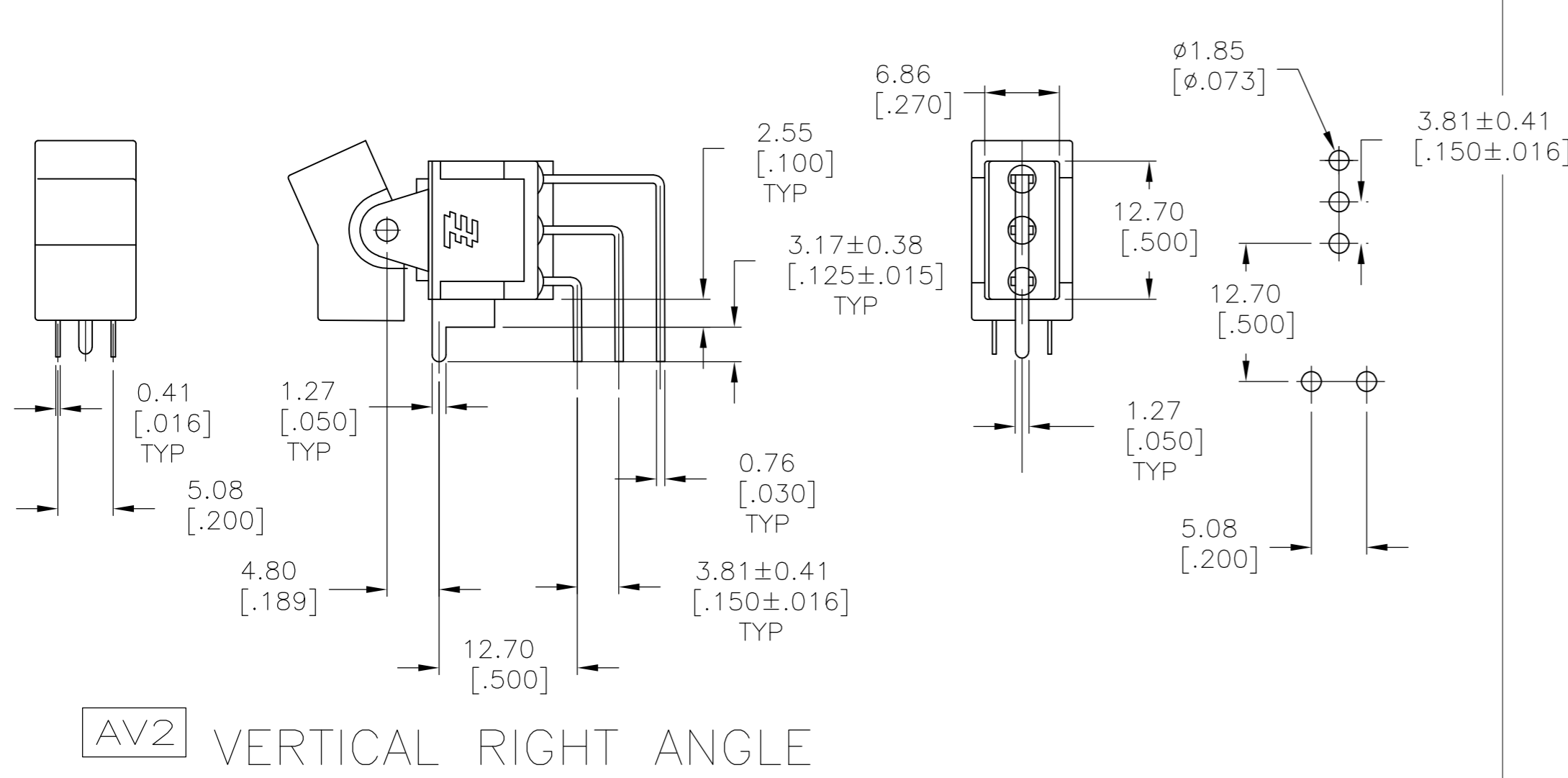
LOC	DIST	REVISIONS			
P	LTR	DESCRIPTION	DATE	DWN	APVD
AD	00	SEE SHEET 1	-	-	-



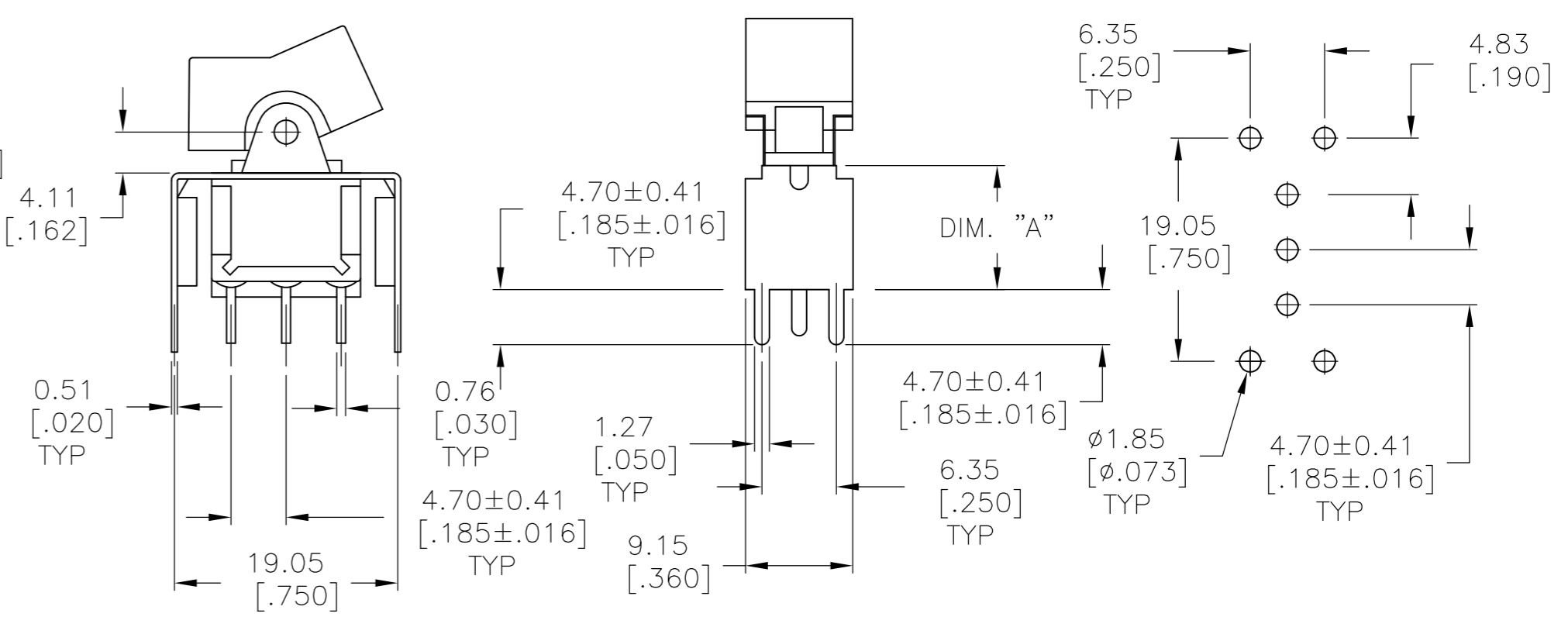
V3 V4

VERTICAL SUPPORT BRACKET

OPTION CODE	DIM "A"
V3	11.68 [.460]
V4	16.00 [.630]



AV2 VERTICAL RIGHT ANGLE



V6 V7

VERTICAL SUPPORT BRACKET

OPTION CODE	DIM "A"
V6	11.68 [.460]
V7	16.00 [.630]

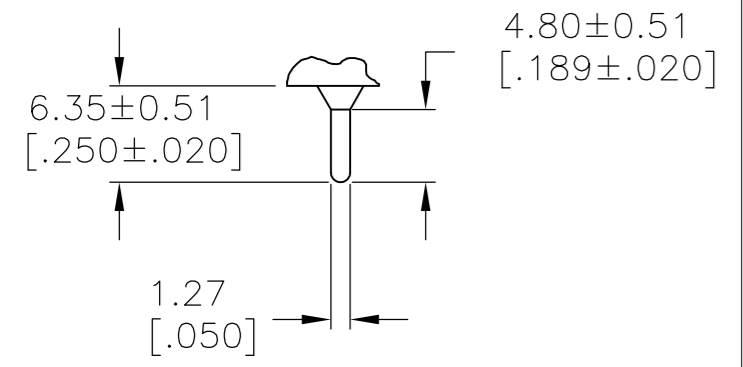
THIS DRAWING IS A CONTROLLED DOCUMENT.		DWN M.BINNER 06JAN05		
DIMENSIONS: mm [INCHES]		CHK M.ZITTO 06JAN05		
TOLERANCES UNLESS OTHERWISE SPECIFIED:		APVD M.ZITTO 06JAN05	NAME GEMINI A SERIES ROCKER SWITCH SINGLE POLE	
0 PLC ± -		PRODUCT SPEC	SIZE A2	
1 PLC ± -		APPLICATION SPEC	CAGE CODE 00779	
2 PLC ± -		WEIGHT	DRAWING NO 1571986	
3 PLC ± 0.25[0.01]		FINISH	RESTRICTED TO	
4 PLC ± -			SCALE 2:1	
ANGLES ± 4°			SHEET 4 of 5	
MATERIAL			REV A9	
		CUSTOMER DRAWING		

THIS DRAWING IS UNPUBLISHED. RELEASED FOR PUBLICATION
 © COPYRIGHT - By - ALL RIGHTS RESERVED.

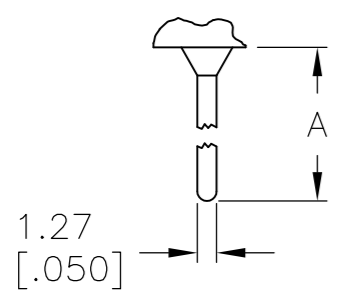
LOC	DIST	REVISIONS			
P	LTR	DESCRIPTION	DATE	DWN	APVD
AD	00	SEE SHEET 1	-	-	-

MATERIALS CHART

COMPONENT NAME	BASE MATERIAL	FINISH
CASE	DAP, 30-40% GF, RED, UL94 V-0, COSMIC D72/6120F	
FRAME	304 STAINLESS STEEL	
B TERMINALS & CONTACTS	C194 COPPER	GOLD OVER NICKEL
G TERMINALS & CONTACTS	C194 COPPER	GOLD OVER SILVER
Q TERMINALS & CONTACTS	C194 COPPER	SILVER
ACTUATOR	PHENOLIC, BLACK, UL94 V-1	
ROCKER CAP	NYLON, BLACK, UL94 V-1, NYTEX MG-2012N	
BUSHING & ACTUATOR LEVER	ZINC ALLOY K2	.000100-.000150 NICKEL
SPRING	MUSIC WIRE	
SUPPORT BRACKET	C2680H BRASS	TIN
PIVOT PIN	STEEL	NICKEL
TERMINAL SEAL	EPOXY, UL94 V-1, BOOM HOUSE S-9001A	

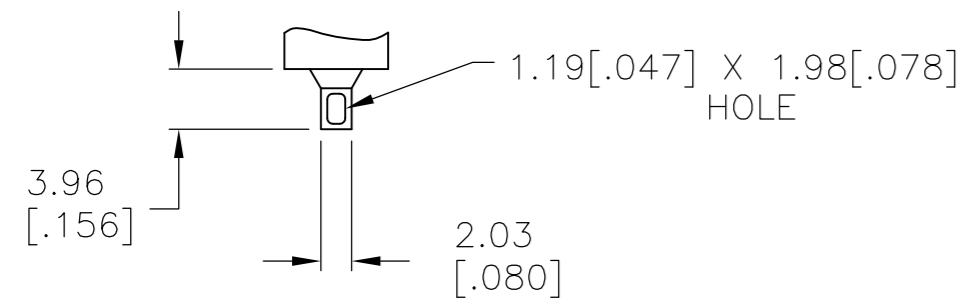


PRINTED CIRCUIT

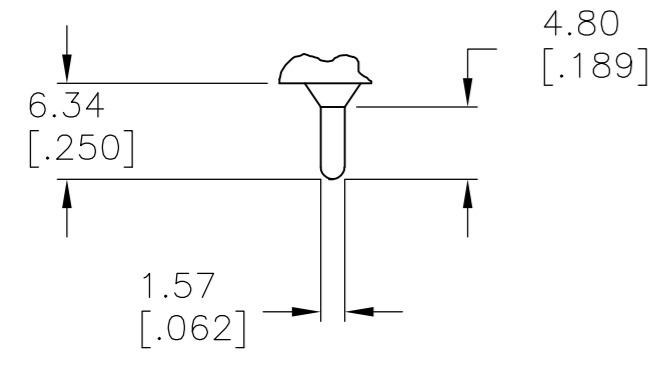


OPTION	DIM A
W	18.69 [.736]
W4	26.97 [1.062]

W W4 WIRE WRAP



WIRE LUG



QUICK CONNECT

9	A101J1AV2Q004AM9	7-1571986-4
8	A101J1AV2Q004AM8	7-1571986-3
7	A101J1AV2Q004AM	7-1571986-2
	A108J61ZQ0004	7-1571986-0
	A108J51ZQ0004	6-1571986-9
	A108J1ZQ004	6-1571986-8
	A108J1V3Q004	6-1571986-7
	A107J61ZQ0004	6-1571986-6
	A107J51ZQ0004	6-1571986-5
	A105J61ZQ0004	6-1571986-4
	A105J61ZG0004	6-1571986-3
	A105J52ZQ2004	6-1571986-2
	A105J51ZQ0004	6-1571986-1
	A105J4ZQ004	6-1571986-0
	A105J3ZQ004	5-1571986-9
	A105J3CQ2004	5-1571986-8
	A105J3CQ004	5-1571986-7
	A105J2ZQ004	5-1571986-6
	A105J2AV2Q004	5-1571986-5
	A105J2AQ004	5-1571986-4
	A105J1ZQ004	5-1571986-3
	A105J1V3B004	5-1571986-2
	A105J1CQ004	5-1571986-1
	ALCO P/N	P/N

7	PRELIMINARY	ALCO P/N	P/N
---	-------------	----------	-----

A105J1AV2Q004	5-1571986-0
A105J1AQ004	4-1571986-9
NOT ASSIGNED	4-1571986-8
NOT ASSIGNED	4-1571986-7
A103J61ZQ0004	4-1571986-6
A103J51ZQ0004	4-1571986-5
A103J3ZQ004	4-1571986-4
A103J2ZQ004	4-1571986-3
A103J2CB004	4-1571986-2
A103J1ZQ004	4-1571986-1
A103J1V3Q004	4-1571986-0
A103J1AV2Q004	3-1571986-9
A103J1AV2B004	3-1571986-8
NOT ASSIGNED	3-1571986-7
A101J61ZQ0004	3-1571986-6
A101J51ZQ2004	3-1571986-5
A101J51ZQ0004	3-1571986-4
A101J51ZB0004	3-1571986-3
NOT ASSIGNED	3-1571986-2
A101J51Z3Q0004	3-1571986-1
A101J51Z3G0004	3-1571986-0
A101J51CB0004	2-1571986-9
A101J50ZQ004	2-1571986-8
A101J50V3Q204	2-1571986-7
A101J50V3Q004	2-1571986-6
A101J50AV2Q004	2-1571986-5
A101J4ZQ804	2-1571986-4
A101J4ZQ004	2-1571986-3
A101J3ZQ004	2-1571986-2
A101J3V3Q204	2-1571986-1
A101J2ZQ004	2-1571986-0
A101J2ZB904	1-1571986-9
A101J2AV2Q004	1-1571986-8
A101J1ZQ004	1-1571986-7
A101J1ZB004	1-1571986-6
A101J1V3Q004	1-1571986-5
A101J1V3B004	1-1571986-4
A101J1CQ004	1-1571986-3
A101J1CG004	1-1571986-2
A101J1AV2Q004	1-1571986-1
A101J1AV2B004	1-1571986-0
A101J1AQ204	1571986-9
A101J1AQ004	1571986-8
A101J1AB004	1571986-7
NOT ASSIGNED	1571986-6
NOT ASSIGNED	1571986-5
NOT ASSIGNED	1571986-4
NOT ASSIGNED	1571986-3
NOT ASSIGNED	1571986-2
A101J1AB004	1571986-1

THIS DRAWING IS A CONTROLLED DOCUMENT.		DWN	M.BINNER	06JAN05		TE Connectivity				
DIMENSIONS: mm [INCHES]		CHK	M.ZITTO	06JAN05		NAME				
TOLERANCES UNLESS OTHERWISE SPECIFIED:		APVD	M.ZITTO	06JAN05		GEMINI A SERIES ROCKER SWITCH SINGLE POLE				
0 PLC ± - 1 PLC ± - 2 PLC ± - 3 PLC ± 0.25[0.01] 4 PLC ± - 4° ANGLES ± 4°		PRODUCT SPEC	APPLICATION SPEC			SIZE	CAGE CODE	DRAWING NO	RESTRICTED TO	
MATERIAL	FINISH	WEIGHT	-		A2	00779	C=1571986	-		
CUSTOMER DRAWING					SCALE	2:1	SHEET	5 of 5	REV	A9



Компания «ЭлектроПласт» предлагает заключение долгосрочных отношений при поставках импортных электронных компонентов на взаимовыгодных условиях!

Наши преимущества:

- Оперативные поставки широкого спектра электронных компонентов отечественного и импортного производства напрямую от производителей и с крупнейших мировых складов;
- Поставка более 17-ти миллионов наименований электронных компонентов;
- Поставка сложных, дефицитных, либо снятых с производства позиций;
- Оперативные сроки поставки под заказ (от 5 рабочих дней);
- Экспресс доставка в любую точку России;
- Техническая поддержка проекта, помощь в подборе аналогов, поставка прототипов;
- Система менеджмента качества сертифицирована по Международному стандарту ISO 9001;
- Лицензия ФСБ на осуществление работ с использованием сведений, составляющих государственную тайну;
- Поставка специализированных компонентов (Xilinx, Altera, Analog Devices, Intersil, Interpoint, Microsemi, Aeroflex, Peregrine, Syfer, Eurofarad, Texas Instrument, Miteq, Cobham, E2V, MA-COM, Hittite, Mini-Circuits, General Dynamics и др.);

Помимо этого, одним из направлений компании «ЭлектроПласт» является направление «Источники питания». Мы предлагаем Вам помощь Конструкторского отдела:

- Подбор оптимального решения, техническое обоснование при выборе компонента;
- Подбор аналогов;
- Консультации по применению компонента;
- Поставка образцов и прототипов;
- Техническая поддержка проекта;
- Защита от снятия компонента с производства.



Как с нами связаться

Телефон: 8 (812) 309 58 32 (многоканальный)

Факс: 8 (812) 320-02-42

Электронная почта: org@eplast1.ru

Адрес: 198099, г. Санкт-Петербург, ул. Калинина, дом 2, корпус 4, литера А.