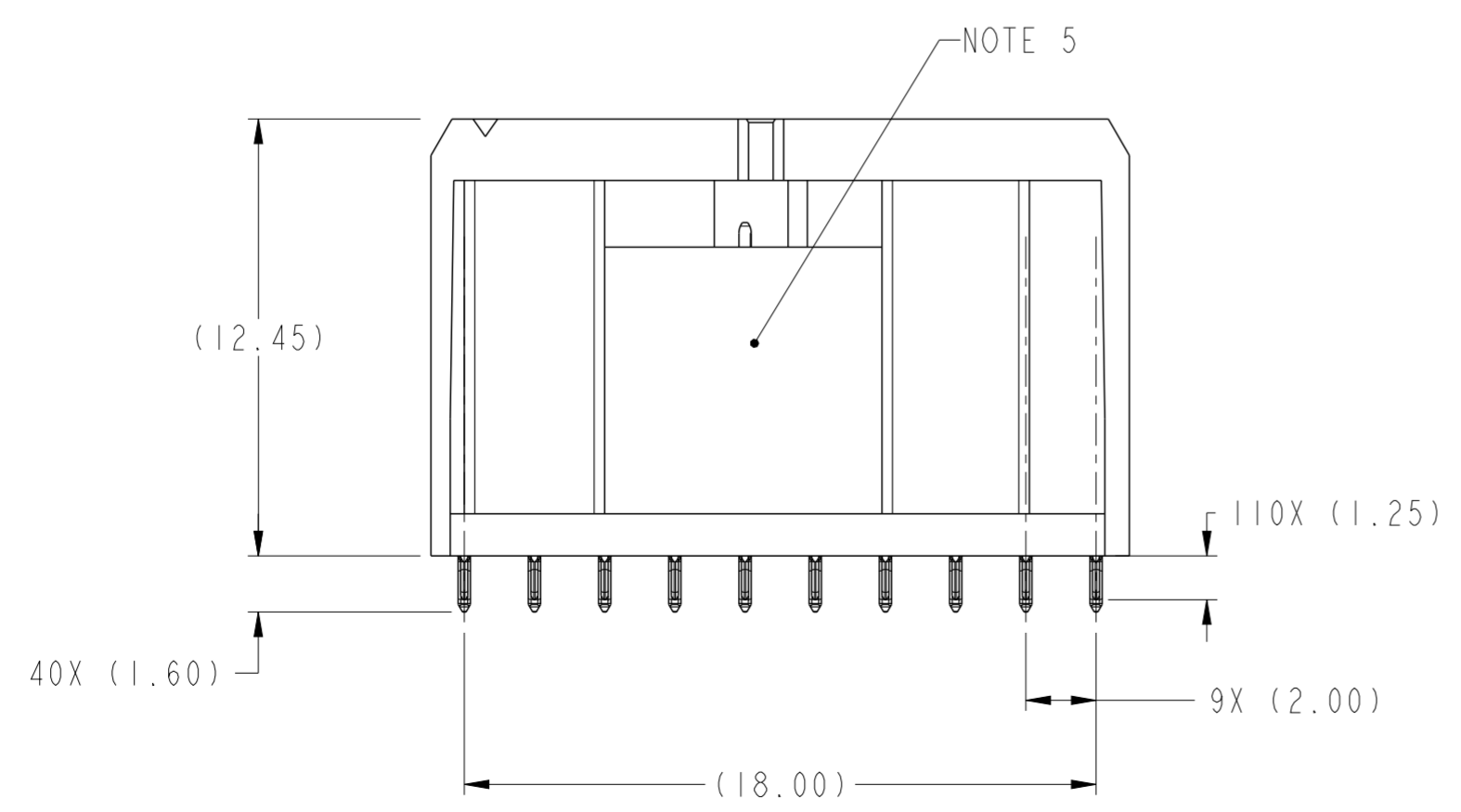
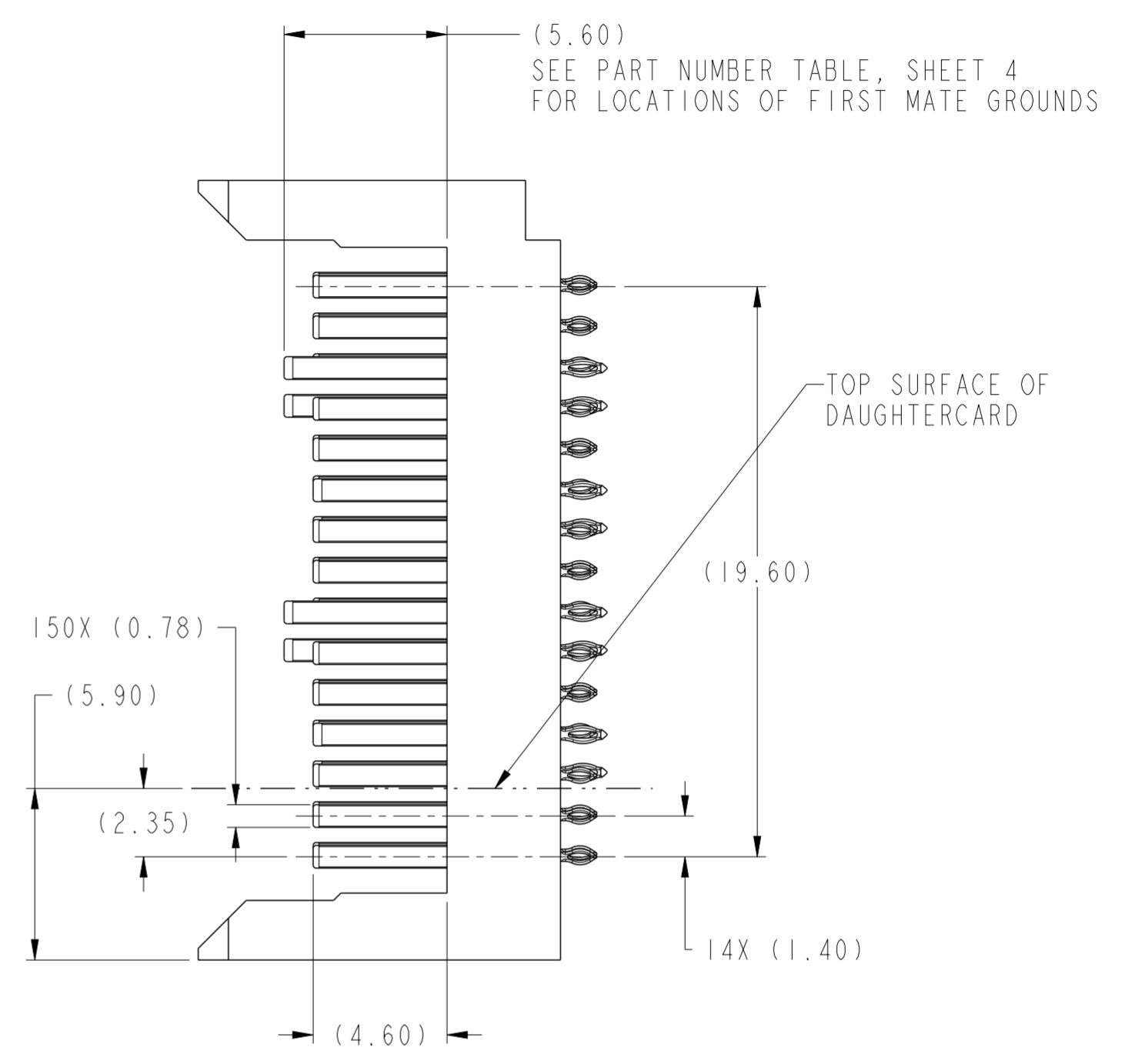
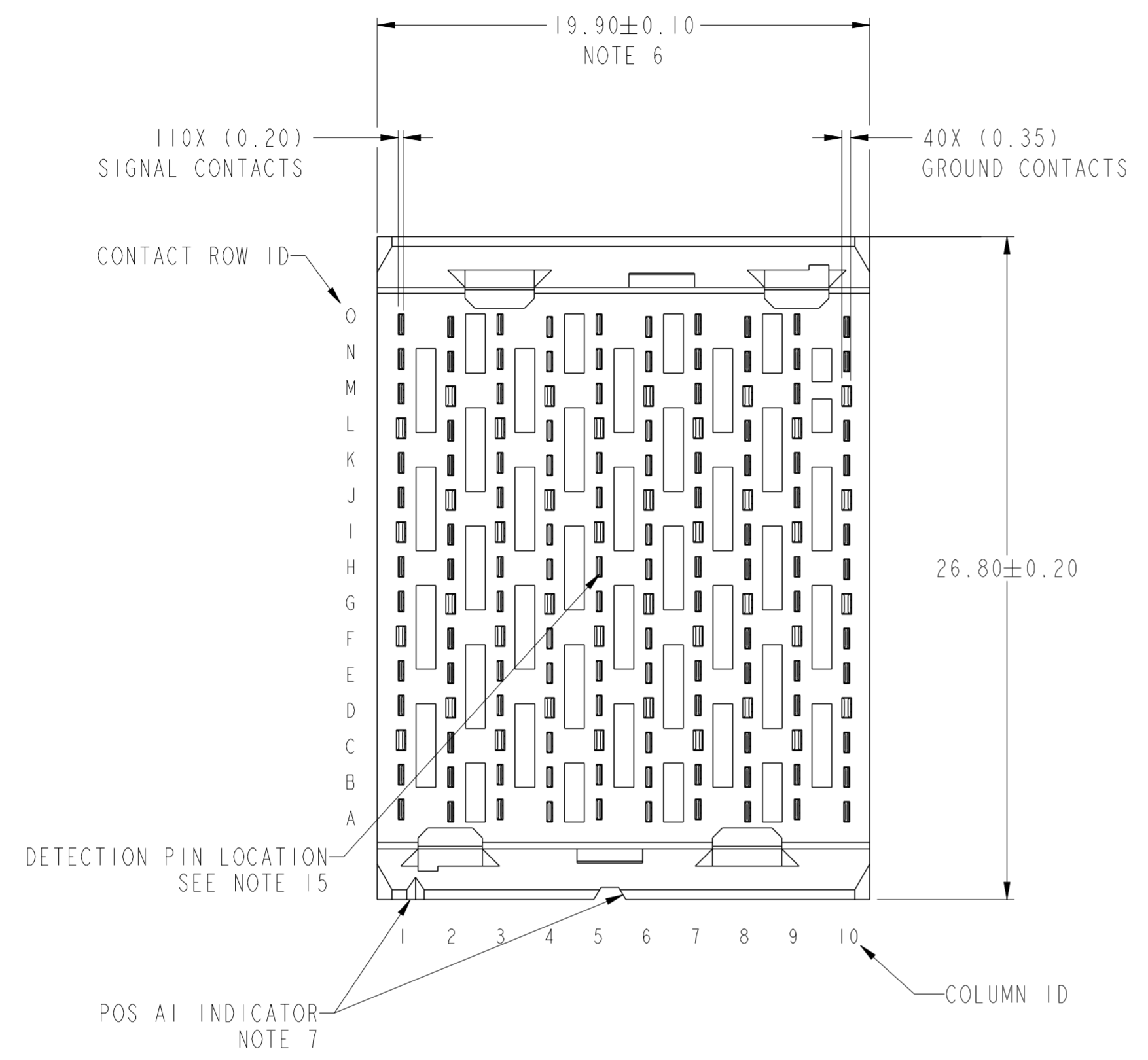


Product number  
SEE TABLE, SHT 4



|               |            |      |            |            |                |           |             |                |                        |              |
|---------------|------------|------|------------|------------|----------------|-----------|-------------|----------------|------------------------|--------------|
| spec ref      | -          | dr   | Sander Soe | 2012/1/15  | projection     | MM        | size        | A2             | scale                  | 5:1          |
| tolerance std | ASME Y14.5 | eng  | Kou Xu     | 2014/08/11 | chr            | -         | ecn no      | ELX-DG-18510-1 | rel level              | Released     |
| surface       | ✓          | appr | Collins Lu | 2014/10/23 | product family | AIRMAX VS | cat. no.    | 10123360       | rev                    | B            |
| ASME Y14.5    | linear     | 0.X  | ±0.3       | angular    | 0°             | ±2°       | www.fci.com | cat. no.       | Product - Customer Drw | sheet 1 of 4 |

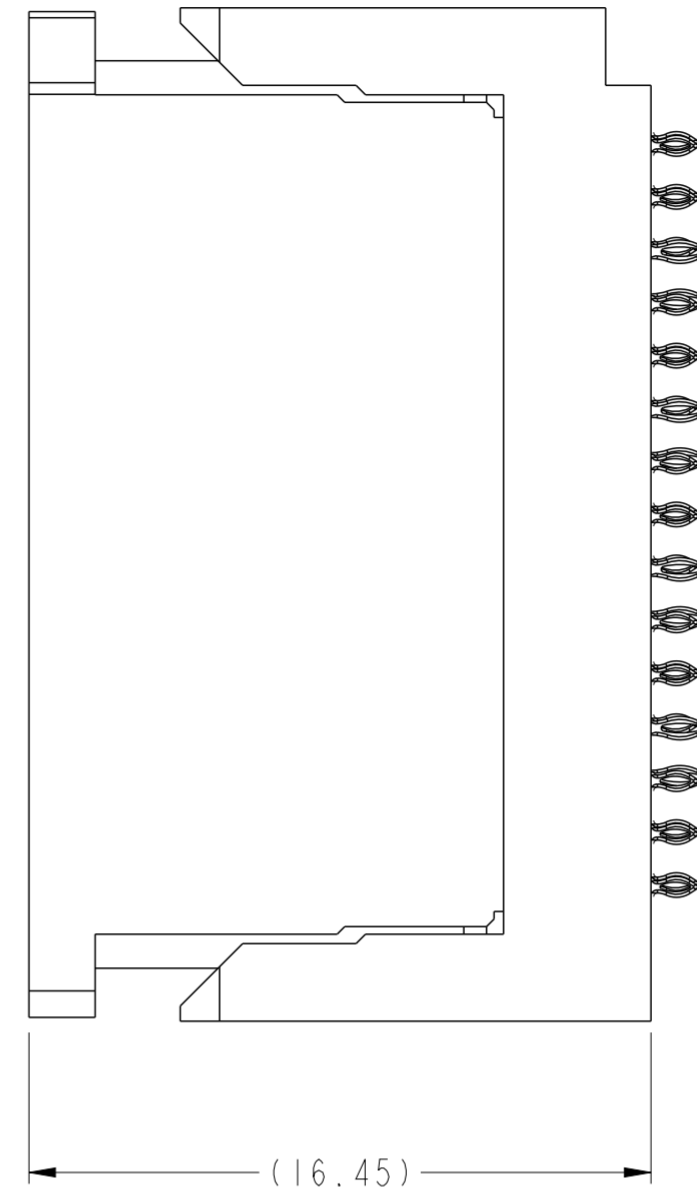
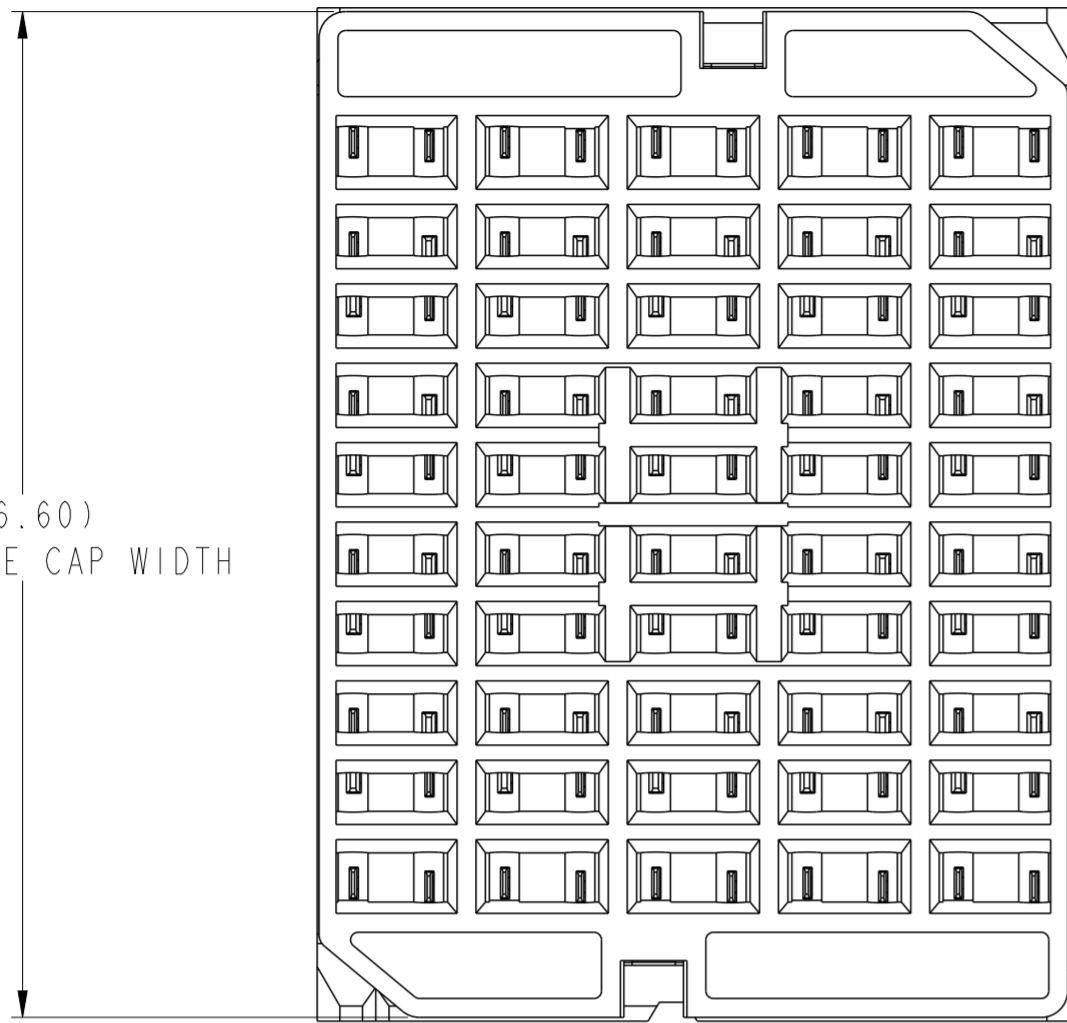
PDS: Rev :B

STATUS:Released

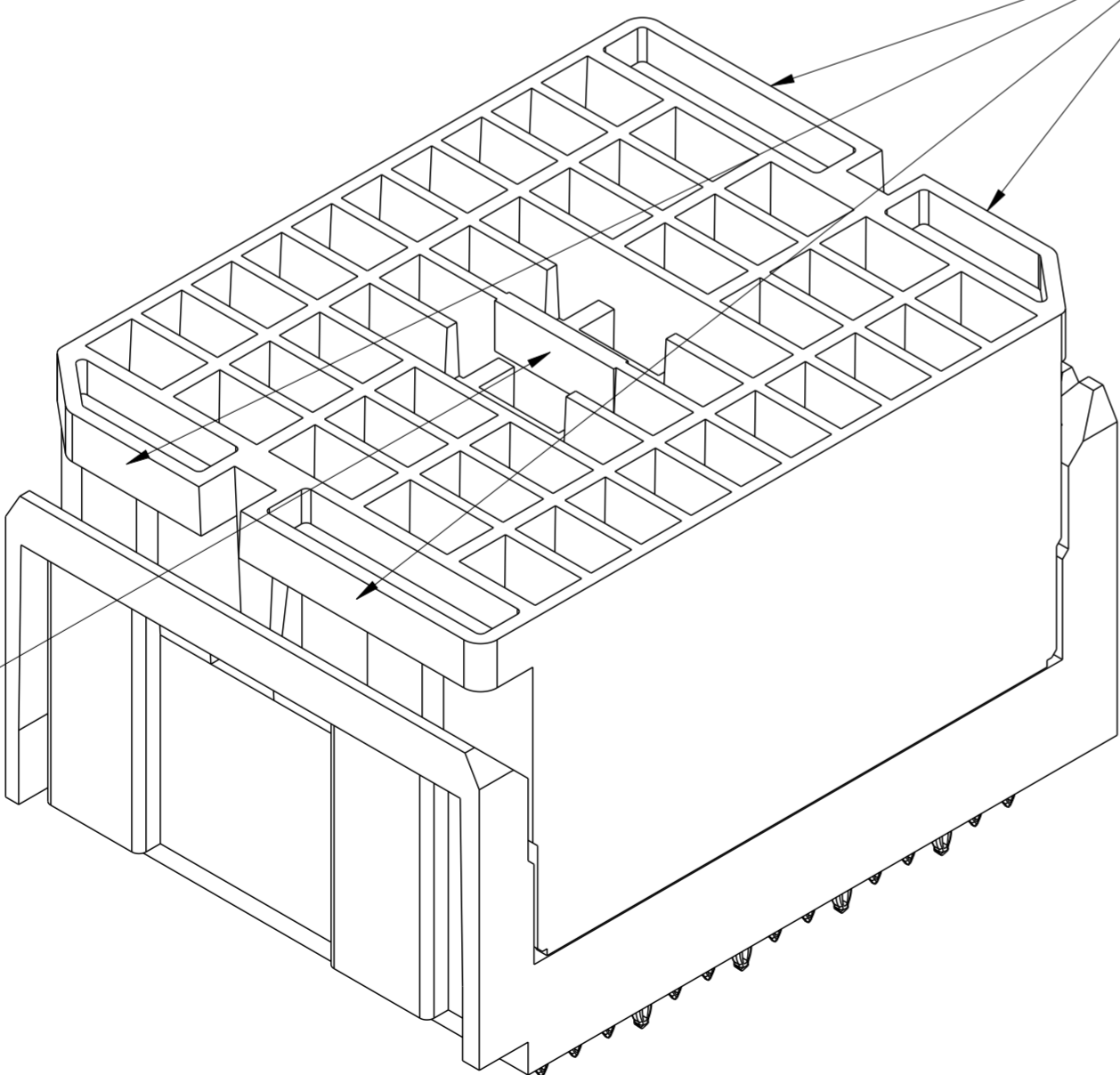
Printed: Oct 24, 2014

Copyright FCI.  
FCI

(26.60)  
PROTECTIVE CAP WIDTH



NOTE 12



NOTE 13

**B**  
VIEWS SHOWN WITH  
PROTECTIVE COVER INSTALLED  
10123360-101LF & 111LF

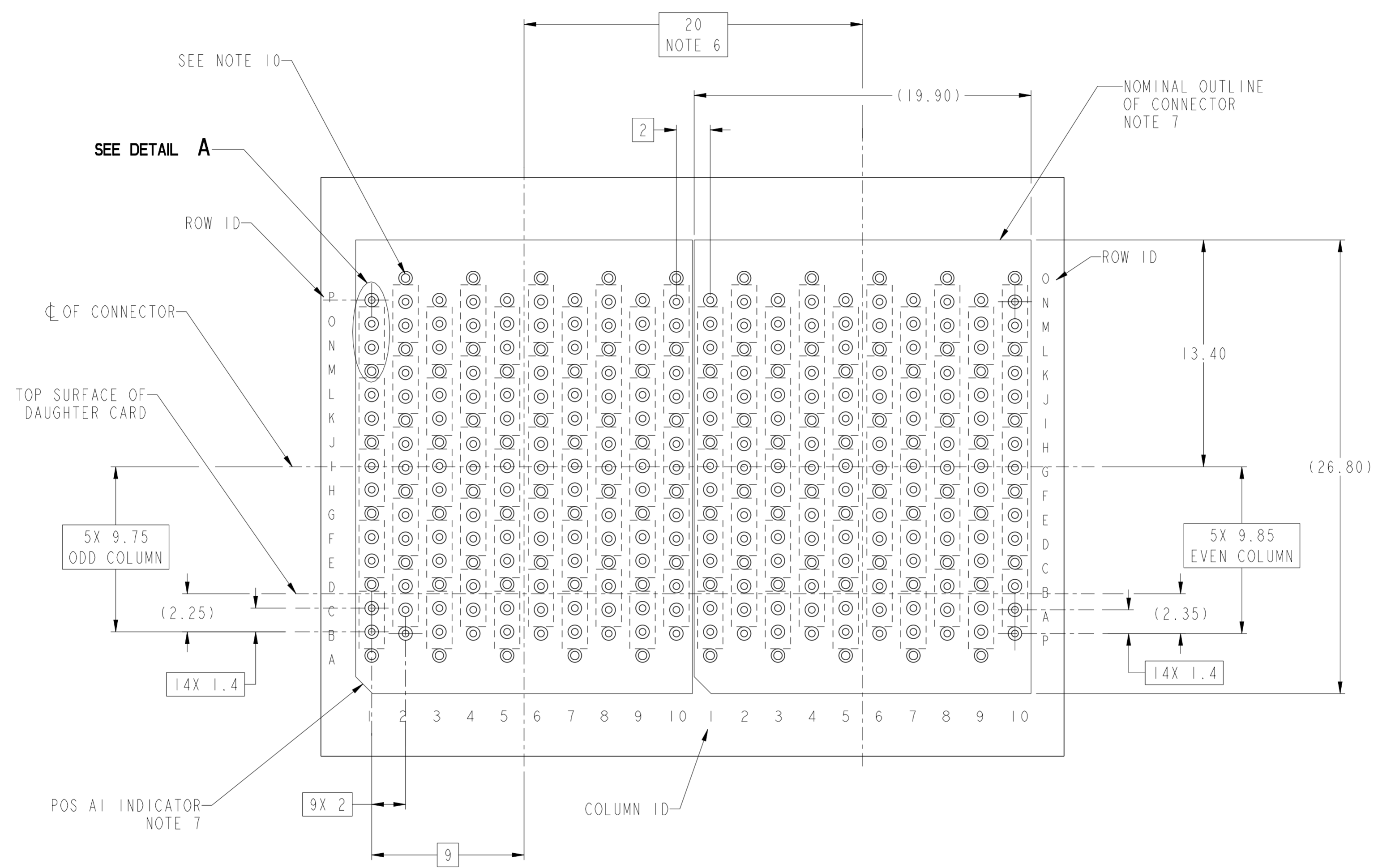
Copyright FCI.  
**FCI**

|               |            |         |            |            |                |  |           |                |                        |              |   |
|---------------|------------|---------|------------|------------|----------------|--|-----------|----------------|------------------------|--------------|---|
| spec ref      | -          | dr      | Sander Soe | 2012/1/15  | projection     | MM   | size      | A2             | scale                  | 5:1          |   |
| tolerance std | ASME Y14.5 | eng     | Kou Xu     | 2014/08/11 |                |  | ecn no    | ELX-DG-18510-1 |                        |              |   |
|               |            | chr     | -          | rel level  |                |  | Released  |                |                        |              |   |
|               |            | appr    | Collins Lu | 2014/10/23 | product family | AIRMAX VS  | rel level | Released       |                        |              |   |
| surface       | ✓          | linear  | 0.X        | ±0.3       |                | <b>AIRMAX VSE VERTICAL HEADER</b><br>5 PAIR 150 POS 2MM 10 COL SMALL PRESS FIT | dwg no    | 10123360       |                        | rev          | B |
|               |            |         | 0.XX       | ±0.10      |                |  | cat. no.  | -              | Product - Customer Drw | sheet 2 of 4 |   |
|               |            | angular | 0°         | ±2°        |                |  |           |                |                        |              |   |

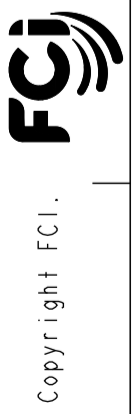
PDS: Rev :B

STATUS:Released

Printed: Oct 24, 2014

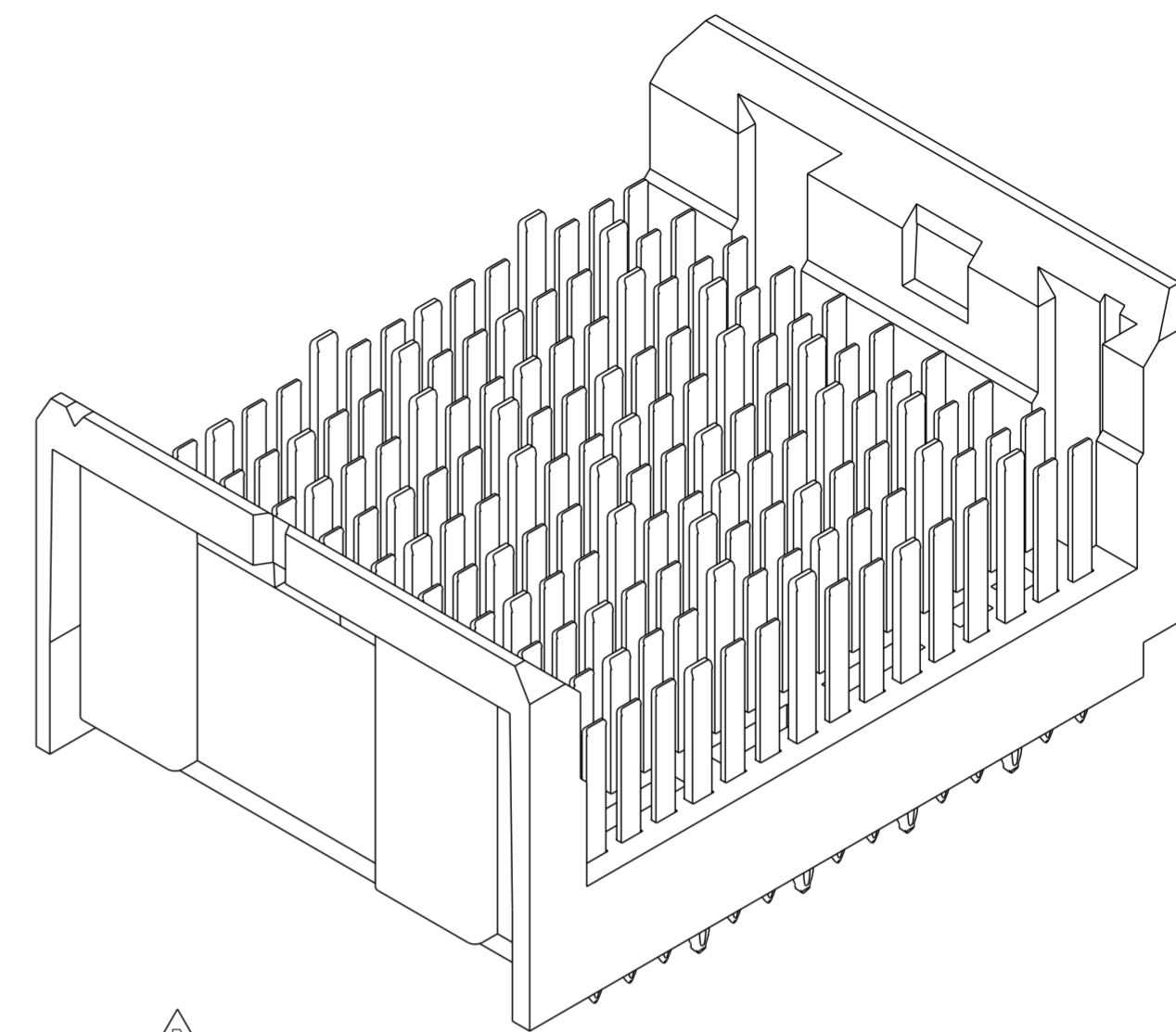


RECOMMENDED PCB LAYOUT  
FOR DIFFERENTIAL APPLICATIONS,  
COMPONENT SIDE  
(TWO ADJACENT FOOTPRINTS SHOWN)  
NOTES 6, AND 8



|                                       |  |             |            |                 |            |                       |                |                |       |                            |
|---------------------------------------|--|-------------|------------|-----------------|------------|-----------------------|----------------|----------------|-------|----------------------------|
| spec ref                              | -                                      | dr          | Sander Soe | 2012/1/15       | projection | MM                    | size           | A2             | scale | 3:1                        |
| tolerance std                         | ASME Y14.5                             | eng         | Kou Xu     | 2014/08/11      |            |                       | ecn no         | ELX-DG-18510-1 |       |                            |
| TOLERANCES UNLESS OTHERWISE SPECIFIED |  | chr         | -          | rel level       |            |                       | Released       |                |       |                            |
| surface                               | ASME Y14.5                             | appr        | Collins Lu | 2014/10/23      |            |                       | product family | AIRMAX VS      | title | AIRMAX VSE VERTICAL HEADER |
| linear                                | 0.X ±0.3<br>0.XX ±0.10<br>0.XXX ±0.050 | www.fci.com | cat. no.   | -               | Product    | Customer Drw          | rev no         | 10123360       | rev   | B                          |
| angular                               | 0° ±2°                                 | PDS: Rev :B |            | STATUS:Released |            | Printed: Oct 24, 2014 |                | sheet 3 of 4   |       |                            |

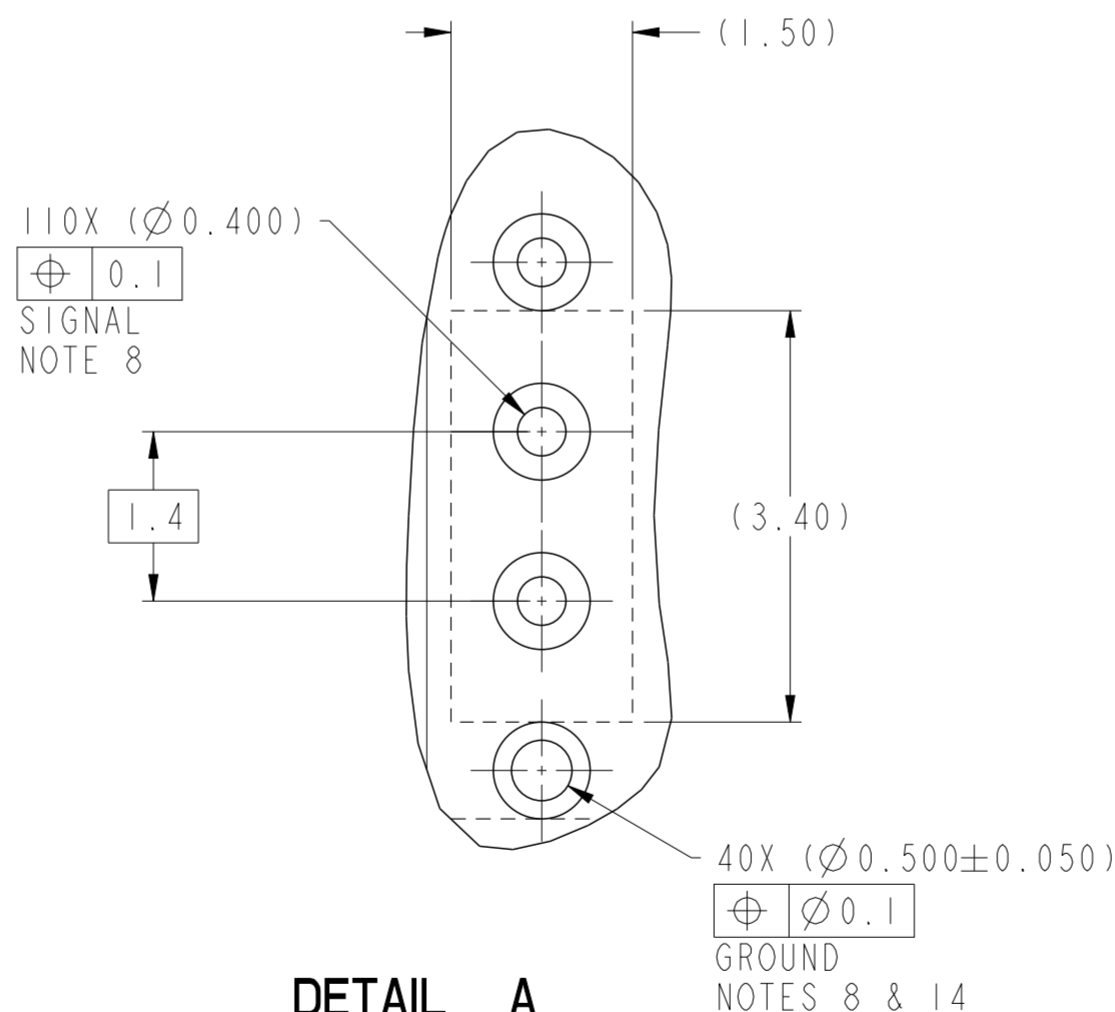
| PART NUMBER    | PRESS-FIT TAIL PLATING TYPE | PROTECTIVE COVER | DETECTION PIN | LONG GROUND PIN LOCATIONS (5.6MM)  | REMARKS         |
|----------------|-----------------------------|------------------|---------------|--|-----------------|
| 10123360-101LF | TIN OVER NICKEL (LEAD FREE) | YES              | NO            | F1, F3, F5, F7, F9, G2, G4, G6, G8, G10, L1, L3, L5, L7, L9, M2, M4, M6, M8, M10 | 2-SIDED PLATING |
| 10123360-111LF | TIN OVER NICKEL (LEAD FREE) | YES              | YES           |  |                 |



10123360-101LF & 111LF WITHOUT PROTECTIVE COVER

NOTES:

- CONNECTOR MATERIALS:  
HOUSING: HIGH TEMP THERMOPLASTIC, BLACK, UL94V-0  
CONTACT: COPPER ALLOY
- CONTACT PLATING:  
SEPARABLE INTERFACE: PERFORMANCE-BASED PLATING, QUALIFIED TO MEET THE REQUIREMENTS OF FCI PRODUCT SPECIFICATION GS-12-239 INCLUDING TELCORDIA GR-1217-CORE (NOVEMBER 1995) CENTRAL OFFICE TEST SEQUENCE PRESS-FIT TAILS: SEE TABLE
- PRODUCT SPECIFICATION: GS-12-239.
- APPLICATION SPECIFICATION: GS-20-035.
- PRODUCT MARKING, (PROTOTYPE, PART NUMBER & LOT CODE), ON THIS SURFACE.
- THE MINIMUM CENTERLINE SPACING BETWEEN ADJACENT MODULES IS 20.0 mm.
- CONNECTOR OUTLINE WITH HOUSING POS A1 INDICATOR MAY BE SCREEN PRINTED ONTO CUSTOMER PCB TO BE USED AS A GUIDE FOR MANUAL CONNECTOR PLACEMENT.
- REFER TO CUSTOMER DRAWING 10045979 FOR INFORMATION ON PCB HOLE DIAMETERS AND PLATING OPTIONS.
- THIS PRODUCT MEETS EUROPEAN UNION DIRECTIVES AND OTHER COUNTRY REGULATIONS AS DESCRIBED IN GS-22-008.
- THE OUTER VIAS IN COLUMN P ARE OPTIONAL. IF ADDED THESE HOLES PROVIDE GROUND SYMMETRY THROUGH THE PCB. NO CONNECTORS EONS WILL BE PRESSED INTO THESE HOLES.
- PACKAGING MEETS GS-14-920 LEAD FREE LABELING SPECIFICATION.
- FOR REMOVAL OF THE PROTECTIVE CAP BY HAND GRIP USING THESE SURFACES.
- FOR REMOVAL OF THE PROTECTIVE CAP WITH PLIERS GRIP USING THIS FEATURE.
- GROUND VIAS IN POSITION C, F, I, L & P FOR ODD COLUMNS AND POSITIONS D, G, J, M & P FOR EVEN COLUMNS REQUIRE (Ø0.50) FINISHED HOLES. ALL OTHER VIAS REQUIRE (Ø0.40) FINISHED HOLES.
- MATING PIN H5 IS 0.5mm LESS NOMINAL WIPE THAN THE SHORTEST PIN
- A SYMBOL WILL BE NEXT TO ANY DIMENSION, VIEW, OR NOTE THAT HAS BEEN MODIFIED WITH THE CURRENT DRAWING REVISION.



DETAIL A  
SCALE 16:1

|               |                                       |        |            |             |            |       |                        |                |           |          |
|---------------|---------------------------------------|--------|------------|-------------|------------|-------|------------------------|----------------|-----------|----------|
| spec ref      | -                                     | dr     | Sander Soe | 2012/1/15   | projection | MM    | size                   | A2             | scale     | 5:1      |
| tolerance std | ASME Y14.5                            | eng    | Kou Xu     | 2014/08/11  |            | MM    | ecn no                 | ELX-DG-18510-1 | rel level | Released |
|               | TOLERANCES UNLESS OTHERWISE SPECIFIED | chr    | -          | appr        |            |       |                        |                |           |          |
| surface       | ✓                                     | linear | 0.X        | ±0.3        |            | title | part no                | 10123360       | rev       | B        |
|               |                                       |        | 0.XX       | ±0.10       |            |       |                        |                |           |          |
|               |                                       |        | 0.XXX      | ±0.050      |            |       |                        |                |           |          |
| ASME Y14.5    | angular                               | 0°     | ±2°        | www.fci.com | cat. no.   | -     | Product - Customer Drw | sheet 4 of 4   |           |          |



Компания «ЭлектроПласт» предлагает заключение долгосрочных отношений при поставках импортных электронных компонентов на взаимовыгодных условиях!

Наши преимущества:

- Оперативные поставки широкого спектра электронных компонентов отечественного и импортного производства напрямую от производителей и с крупнейших мировых складов;
- Поставка более 17-ти миллионов наименований электронных компонентов;
- Поставка сложных, дефицитных, либо снятых с производства позиций;
- Оперативные сроки поставки под заказ (от 5 рабочих дней);
- Экспресс доставка в любую точку России;
- Техническая поддержка проекта, помощь в подборе аналогов, поставка прототипов;
- Система менеджмента качества сертифицирована по Международному стандарту ISO 9001;
- Лицензия ФСБ на осуществление работ с использованием сведений, составляющих государственную тайну;
- Поставка специализированных компонентов (Xilinx, Altera, Analog Devices, Intersil, Interpoint, Microsemi, Aeroflex, Peregrine, Syfer, Eurofarad, Texas Instrument, Miteq, Cobham, E2V, MA-COM, Hittite, Mini-Circuits, General Dynamics и др.);

Помимо этого, одним из направлений компании «ЭлектроПласт» является направление «Источники питания». Мы предлагаем Вам помощь Конструкторского отдела:

- Подбор оптимального решения, техническое обоснование при выборе компонента;
- Подбор аналогов;
- Консультации по применению компонента;
- Поставка образцов и прототипов;
- Техническая поддержка проекта;
- Защита от снятия компонента с производства.



#### Как с нами связаться

**Телефон:** 8 (812) 309 58 32 (многоканальный)

**Факс:** 8 (812) 320-02-42

**Электронная почта:** [org@eplast1.ru](mailto:org@eplast1.ru)

**Адрес:** 198099, г. Санкт-Петербург, ул. Калинина, дом 2, корпус 4, литера А.