

S661 Preset Rate Counter

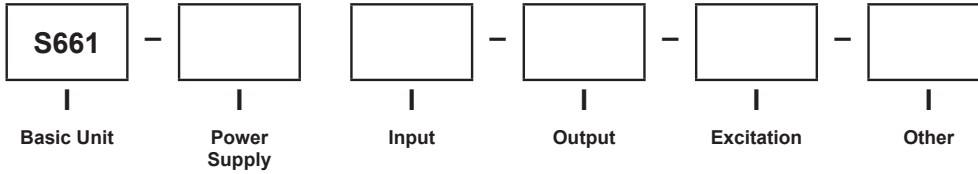


File# E199939 CE UL c UL

- Easily programmed from the front panel
- Remote reset capability
- Input variety:
 Quadrature, Switch, TTL, CMOS, NAMUR, PNP, NPN
- Software functions include:
 Password
 Display Scaling
 Set Point Programming
 Decimal Point Selection
- 5A Relay Outputs
- Optional 12DCV Excitation

S661 Preset Rate Counter

Ordering Information



Select From Each One Below		
Basic Unit		
	S661	
Power Supply		
1	120 ACV	
2	240 ACV	
Input		
1	Standard	
2	Quadrature	
Output		
0	None	
1	One Relay	
2	Two Relays	
Excitation		
0	None	
1	12DCV (100mA Max Current)	
Other		
0	None	

S661 Preset Rate Counter

Specifications	
DISPLAY	
Type	6-digit, 7-segment, red LED
Height	0.56" (14.2mm)
Decimal Point	User-programmable
Count Direction	"+" indication implied, "-" indication displayed
Display Range	-99,999 to +999,999
Output Indicators	1 and 2
POWER REQUIREMENTS	
AC Voltages	120 or 240VAC, $\pm 10\%$
Power Consumption	3VA
INPUT RATINGS	
Current Sinking	10K Ω 5% Resistor pull-up to (9.0 - 16DCV) $\pm 10\%$
Current Sourcing	5.1K Ω 5% Resistor pull-down to common
Minimum Pulse Width	$\sim 5\mu s$
Low Pass Filter	<200Hz
Low Bias	VLT = 1.6V $\pm 10\%$ VUT = 3.6V $\pm 10\%$
High Bias	VLT = 5.0V $\pm 10\%$ VUT = 7.0V $\pm 10\%$
Count Rate	20KHz (Pulse Max) 5KHz (Quadrature X4 Max)
Maximum Voltage Input A,B, and User	30DCV (Max)
User Input	VLT ≤ 0.9 DCV, VUT = 3.15DCV (max) (Display Hold) Display is frozen when the User Input is pulled low
ENVIRONMENTAL	
Operating Temperature	0°C to +40°C
Storage Temperature	-10°C to +60°C
Relative Humidity	0 to 80% non-condensing for temperatures less than 32°C, decreasing linearly to 50% at 40°C
Ambient Temperature	25°C
Temp. Coefficient (per °C)	± 100 ppm/°C
Warm-up Time	15 minutes
MECHANICAL	
Bezel	3.93" x 2.04" x .52" (99.8mm x 51.8mm x 13.2mm)
Depth	3.24" (82.3mm)
Panel Cutout	3.62" x 1.77" (92mm x 45mm)
Case Material	PBT-ABS
Weight	9oz (255.1g)

Typically used in applications involving speed, the S661 rate counter is capable of counting in four different time modes; hours, minutes, seconds, and seconds/thousand (msec).

The msec rate mode increases the frequency resolution to .001Hz within the range from 1 to 999.999Hz.

S661 Preset Rate Counter

Mode	Range (implied scale)	Typical Update Period	Min. Input Frequency	Max. Input Frequency	Display Resolution
0	MSec (Hz x 1000)	1.0 sec	1 Hz	30 KHz	0.001 Hz
1	Sec (Hz)	0.5 sec	2 Hz	30 KHz	1 Hz
2	Min (Hz x 60)	3 sec	20 Counts / Min	1.2 Million Counts / Min	1 Pulse per Minute
3	Hr (Hz x 3600)	90 sec	40 Counts / Hr	3.0 Million Counts / Hr	1 Pulse per Hour

Mounting Requirements -

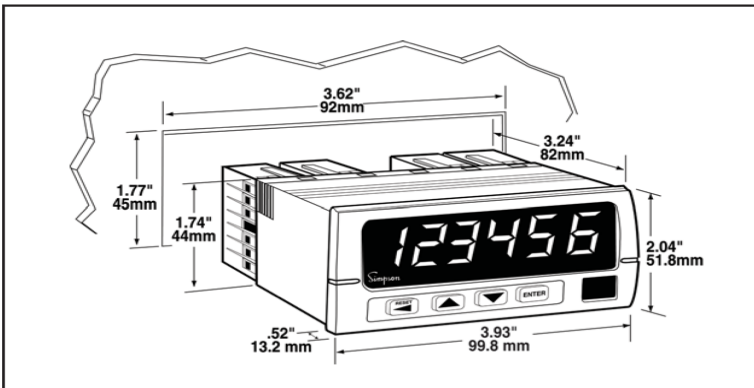
The S661 series 1/8 DIN counters require a panel cutout of 1.77" (45mm) high by 3.62" (92mm) wide.

To install the counter into a panel cutout, remove the clips from the side of the meter.

Slide the meter through your panel cutout, then slide the mounting clips back on the meter.

Press evenly to ensure a proper fit.

Dimensions



Accessories available for the S661



Chariot

The Chariot is used to mount most cube-style quadrature encoders and measuring wheels. Made of anodized aluminum, the chariot includes mounting hardware and selectable pivotal points. Wheels, tires, and flexible shaft couplings are sold separately.

Catalog No. 46012

Flexible Shaft Couplings

The one-piece flexible coupling connects the shaft of a cube-style encoder to an ancillary equipment shaft without worry of misalignment of rotary frequency. The coupling ensures minimum windup, minimum rotary oscillation, and no hysteresis.

Coupling: For connecting an encoder to a 3/8" shaft. **Catalog No. 46002**

Coupling package: For connecting an encoder to 1/4" or 5/16" diameter shaft. Package includes: One flexible coupling (1/2" I.D.) and three reducing inserts (1/4", 5/16", 3/8").
Catalog No. 46003



Tire Durometer

A Simpson 12" circumference anodized aluminum measuring wheel is the right choice to complete the setup of a length measurement system.

Whether the application requires one or two, Simpson's measuring wheels will perform accurately and reliably throughout the measuring process.

Also included on the measuring wheel is a printed alignment scale which assists in the installation and measurement of the length measurement system.

Simpson offers four replaceable durometer tires that consist of a black tire that has a longer life span and three non marking tires. The three non marking tires are for delicate materials such as plastics, textiles, wood, metal and paper to prevent tearing, damage or marking of delicate materials.

80A, black tire; longer service life for plastics, metals. **Catalog No. 46004**

83A, non-marking tire for textiles, medium textures. **Catalog No. 46005**

92A, non-marking tire for plastics, metals, coarse wood. **Catalog No. 46006**

70A, non-marking tire for soft textiles. **Catalog No. 46007**

5 Feet Cable Assembly **Catalog No. 46013**

10 Feet Cable Assembly **Catalog No. 46014**

15 Feet Cable Assembly **Catalog No. 46015**



Компания «ЭлектроПласт» предлагает заключение долгосрочных отношений при поставках импортных электронных компонентов на взаимовыгодных условиях!

Наши преимущества:

- Оперативные поставки широкого спектра электронных компонентов отечественного и импортного производства напрямую от производителей и с крупнейших мировых складов;
- Поставка более 17-ти миллионов наименований электронных компонентов;
- Поставка сложных, дефицитных, либо снятых с производства позиций;
- Оперативные сроки поставки под заказ (от 5 рабочих дней);
- Экспресс доставка в любую точку России;
- Техническая поддержка проекта, помощь в подборе аналогов, поставка прототипов;
- Система менеджмента качества сертифицирована по Международному стандарту ISO 9001;
- Лицензия ФСБ на осуществление работ с использованием сведений, составляющих государственную тайну;
- Поставка специализированных компонентов (Xilinx, Altera, Analog Devices, Intersil, Interpoint, Microsemi, Aeroflex, Peregrine, Syfer, Eurofarad, Texas Instrument, Miteq, Cobham, E2V, MA-COM, Hittite, Mini-Circuits, General Dynamics и др.);

Помимо этого, одним из направлений компании «ЭлектроПласт» является направление «Источники питания». Мы предлагаем Вам помощь Конструкторского отдела:

- Подбор оптимального решения, техническое обоснование при выборе компонента;
- Подбор аналогов;
- Консультации по применению компонента;
- Поставка образцов и прототипов;
- Техническая поддержка проекта;
- Защита от снятия компонента с производства.



Как с нами связаться

Телефон: 8 (812) 309 58 32 (многоканальный)

Факс: 8 (812) 320-02-42

Электронная почта: org@eplast1.ru

Адрес: 198099, г. Санкт-Петербург, ул. Калинина, дом 2, корпус 4, литера А.