

# TLI4946

High Precision Hall Effect Latches for Industrial and Consumer Applications

TLI4946K, TLI4946-2K, TLI4946-2L

Datasheet

Rev. 1.0

Sense and Control



Never stop thinking

**Edition 2009-05-04**

**Published by  
Infineon Technologies AG  
81726 Munich, Germany**

**© 2009 Infineon Technologies AG  
All Rights Reserved.**

### **Legal Disclaimer**

The information given in this document shall in no event be regarded as a guarantee of conditions or characteristics. With respect to any examples or hints given herein, any typical values stated herein and/or any information regarding the application of the device, Infineon Technologies hereby disclaims any and all warranties and liabilities of any kind, including without limitation, warranties of non-infringement of intellectual property rights of any third party.

### **Information**

For further information on technology, delivery terms and conditions and prices, please contact the nearest Infineon Technologies Office ([www.infineon.com](http://www.infineon.com)).

### **Warnings**

Due to technical requirements, components may contain dangerous substances. For information on the types in question, please contact the nearest Infineon Technologies Office.

Infineon Technologies components may be used in life-support devices or systems only with the express written approval of Infineon Technologies, if a failure of such components can reasonably be expected to cause the failure of that life-support device or system or to affect the safety or effectiveness of that device or system. Life support devices or systems are intended to be implanted in the human body or to support and/or maintain and sustain and/or protect human life. If they fail, it is reasonable to assume that the health of the user or other persons may be endangered.

---

**High Precision Hall Effect Latches for Industrial and Consumer Applications****Revision History: 2009-05-04, Rev. 1.0****Previous Revisions: none**

Page	Subjects (major changes since last revision)

**We Listen to Your Comments**

Any information within this document that you feel is wrong, unclear or missing at all?  
Your feedback will help us to continuously improve the quality of this document.  
Please send your proposal (including a reference to this document) to:

[sensors@infineon.com](mailto:sensors@infineon.com)



## Table of Contents

	<b>Table of Contents</b> .....	4
	<b>List of Figures</b> .....	5
	<b>List of Tables</b> .....	6
<b>1</b>	<b>Product Description</b> .....	7
1.1	Overview .....	7
1.2	Features .....	7
1.3	Target Applications .....	7
<b>2</b>	<b>Functional Description</b> .....	8
2.1	General .....	8
2.2	Pin Configuration .....	8
2.3	Pin Description .....	9
2.4	Block Diagram .....	9
2.5	Operating Modes and States .....	10
2.6	Functional Block Description .....	10
<b>3</b>	<b>Specification</b> .....	11
3.1	Application circuit .....	11
3.2	Absolute Maximum Ratings .....	11
3.3	Operating Range .....	12
3.4	Electrical Characteristics .....	12
<b>4</b>	<b>Package Information</b> .....	14
4.1	TLI4946K and TLI4946-2K Package Outline .....	14
4.2	TLI4946-2L Package Outline .....	15

## List of Figures

Figure 1	Pin Configuration and sensitive area (Top view, figure not to scale) . . . . .	8
Figure 2	TLI4946xy Block Diagram. . . . .	9
Figure 3	Definition of the Magnetic Field direction . . . . .	10
Figure 4	Output Signal . . . . .	10
Figure 5	Application circuit . . . . .	11
Figure 6	Timing Diagram . . . . .	13
Figure 7	Marking of the TLI4946K and TLI4946-2K distance of the chip to the upper side . . . . .	14
Figure 8	PG-SC59-3-4 Package Outline. . . . .	14
Figure 9	Footprint PG-SC59-3-4 (SOT23 compatible) . . . . .	15
Figure 10	Marking of the TLI4946-2L and distance of the chip to the upper side. . . . .	15
Figure 11	PG-SSO-3-2 Package Outline . . . . .	16

## List of Tables

Table 1	PIN Definitions for the PG-SC59-3-4 package .....	9
Table 2	PIN Definitions for the PG-SSO-3-2 package .....	9
Table 3	Absolute Maximum Ratings .....	11
Table 4	Operating Range .....	12
Table 5	Electrical Characteristics .....	12
Table 6	Magnetic Characteristics .....	13

## 1 Product Description

### 1.1 Overview

The TLI4946xy is a high precision Hall Effect Latch with highly accurate switching thresholds for ambient operating temperatures up to 125°C.

The TLI4946K and the TLI4946-2K is available in a PG-SC59-3-4 package, the TLI4946-2L in a PG-SSO-3-2 package.

### 1.2 Features

- 2.7 V to 18 V supply voltage operation.
- Operation from unregulated power supply.
- High sensitivity and high stability of the magnetic switching points.
- High resistance to mechanical stress by active error compensation.
- Reverse battery protection (-18 V).
- Superior temperature stability.
- Low jitter (typically 1  $\mu$ s).
- High ESD performance ( $\pm$  4 kV HBM).
- Digital output signal (open-drain).
- Not suitable for automotive applications

### 1.3 Target Applications

The TLI4946xy is ideally suited to detect the rotor position in Brushless DC (BLDC) Motors used in industrial and consumer applications, such as: air conditioning systems, pumps, washing machines, DVD players, rolling shutter, etc. The sensor also provides a reliable switching for index counting with small pole wheels and large air gaps. The TLI4946xy can also be used for index counting.



Product Name	Product Type	Ordering Code	Package
Hall Effect Latch	TLI4946K	SP000604398	PG-SC59-3-4
Hall Effect Latch	TLI4946-2K	SP000604328	PG-SC59-3-4
Hall Effect Latch	TLI4946-2L	SP000604336	PG-SSO-3-2

## 2 Functional Description

### 2.1 General

Precise magnetic switching thresholds and high temperature stability are achieved by active compensation circuits and chopper techniques on chip. Offset voltages generated by temperature-induced stress or overmolding are canceled so that high accuracy is achieved. The IC has an open collector output stage with 20 mA current sink capability. A wide operating voltage range from 2.7 V to 18 V with reverse polarity protection down to -18 V makes the TLI4946 suitable for a wide range of applications. A magnetic south pole with a field strength above  $B_{op}$  turns the output on. A magnetic north pole exceeding  $B_{rp}$  turns it off.

### 2.2 Pin Configuration

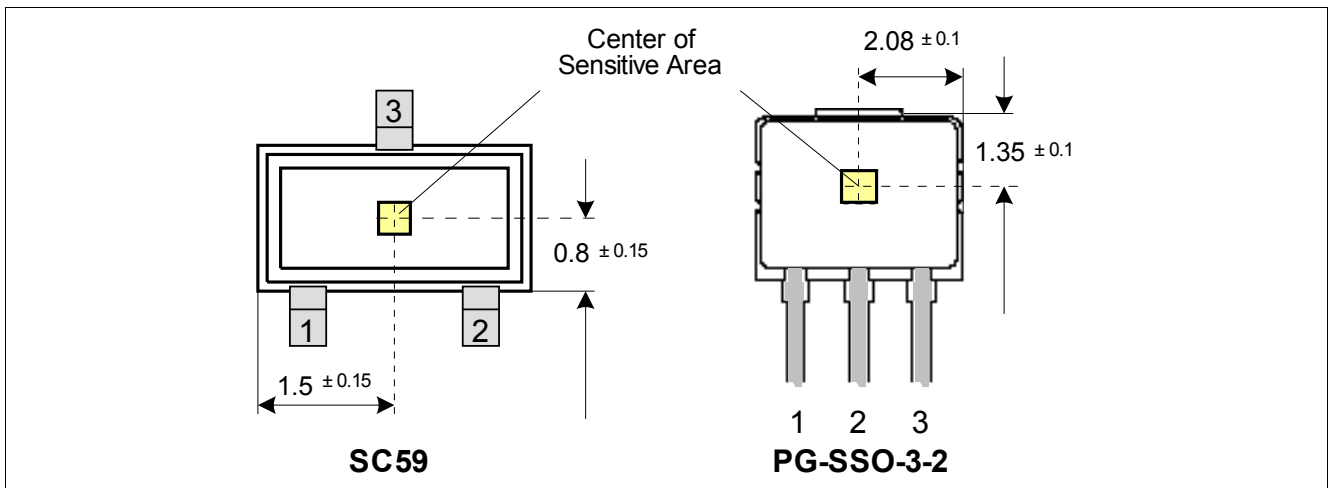


Figure 1 Pin Configuration and sensitive area (Top view, figure not to scale)



### 2.3 Pin Description

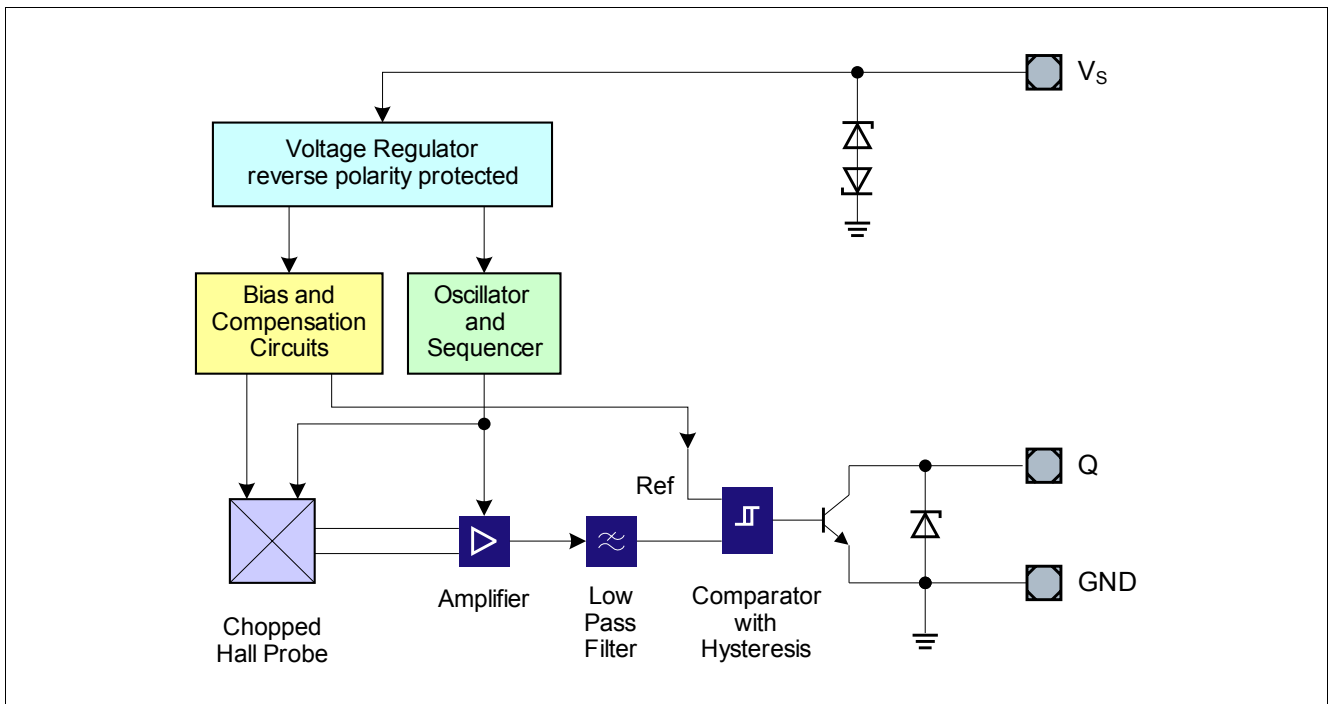
**Table 1 PIN Definitions for the PG-SC59-3-4 package**

PIN No.	Name	Function
1	V <sub>s</sub>	Supply Voltage
2	Q	Output
3	GND	Ground

**Table 2 PIN Definitions for the PG-SSO-3-2 package**

PIN No.	Name	Function
1	V <sub>s</sub>	Supply Voltage
2	GND	Ground
3	Q	Output

### 2.4 Block Diagram



**Figure 2 TLI4946xy Block Diagram**

## 2.5 Operating Modes and States

### Field Direction and Definition

Positive magnetic fields correspond to the south pole of the magnet targeting the branded side of the package.

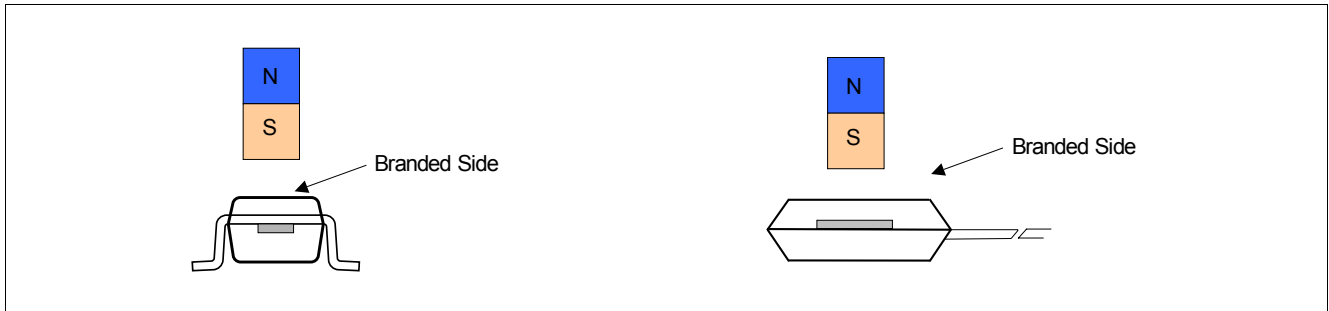


Figure 3 Definition of the Magnetic Field direction

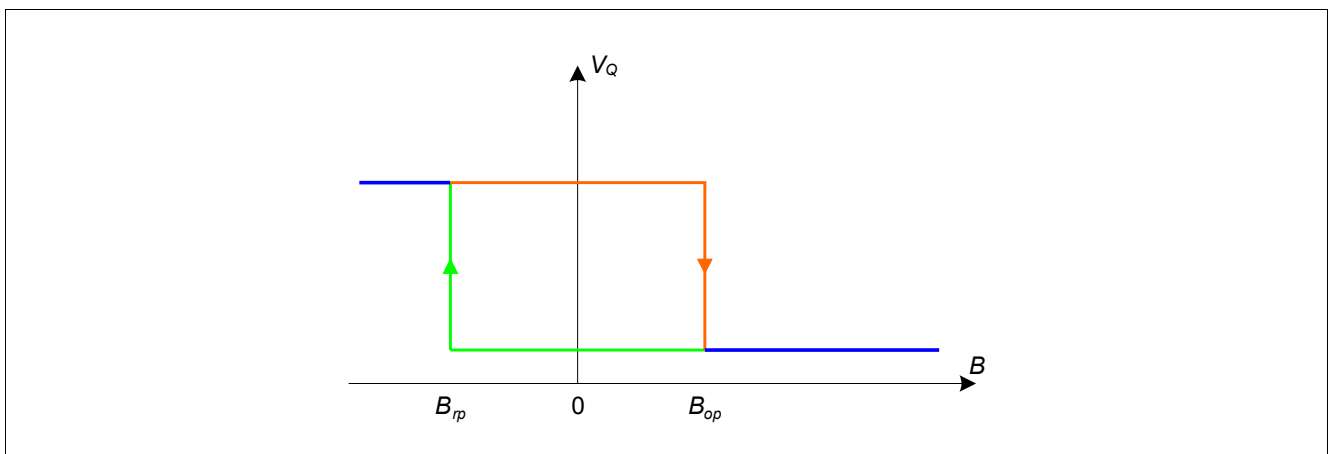


Figure 4 Output Signal

## 2.6 Functional Block Description

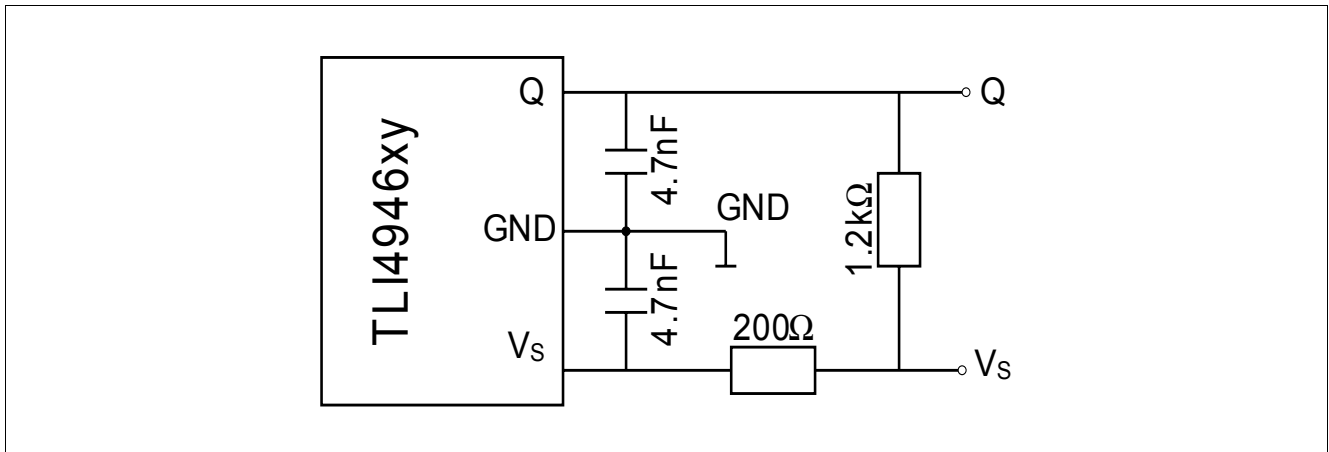
The chopped Hall Effect Latch comprises a Hall probe, a bias generator, compensation circuits, an oscillator and an output transistor. The bias generator provides currents to the Hall probe and the active circuits. Compensation circuits stabilize response of the IC over temperature and reduce the impact of process variations.

The Active Error Compensation rejects offsets in the signal path and reduces the impact of mechanical stress in the package caused by molding, soldering and thermal effects.

The chopper technique together with the threshold generator and the comparator ensure high accurate magnetic switching points.

### 3 Specification

#### 3.1 Application circuit



**Figure 5 Application circuit**

It is recommended to use a resistor of 200  $\Omega$  in the supply line for current limitation in the case of an overvoltage pulse. Two capacitors of 4.7 nF enhance the EMC performance. The pull-up of 1.2 k $\Omega$  limits the current through the output transistor.

#### 3.2 Absolute Maximum Ratings

Stress above the maximum values listed in this section may cause permanent damage to the device. Exposure to absolute maximum rating conditions for extended periods may affect the reliability of the device. Exceeding only one of these values may cause irreversible damage to the device.

**Table 3 Absolute Maximum Ratings**

Parameter	Symbol	Values			Unit	Note / Test Condition
		Min.	Typ.	Max.		
Maximum Ambient Temperature	$T_A$	- 40	–	125	$^{\circ}\text{C}$	
Maximum Junction Temperature	$T_J$	- 40	–	150	$^{\circ}\text{C}$	
Supply Voltage	$V_S$	- 18	–	18	V	
Supply current through protection device	$I_S$	-50	–	50	mA	
Output Voltage	$V_{\text{OUT}}$	- 0.7	–	18	V	
Storage Temperature	$T_S$	- 40	–	150	$^{\circ}\text{C}$	
Magnetic flux density	$B$	–	–	unlimited	mT	
ESD Robustness HBM: 1.5 k $\Omega$ , 100 pF	$V_{\text{ESD,HBM}}^{1)}$	–	–	4	kV	

1) According to EIA/JESD22-A114-E

### 3.3 Operating Range

The following operating conditions must not be exceeded in order to ensure correct operation of the TLI4946xy. All parameters specified in the following sections refer to these operating conditions unless otherwise mentioned.

**Table 4 Operating Range**

Parameter	Symbol	Values			Unit	Note / Test Condition
		Min.	Typ.	Max.		
Supply Voltage	$V_S$	2.7	–	18	V	
Output Voltage	$V_Q$	-0.7	–	18	V	
Output Current	$I_Q$	0	–	20	mA	
Maximum Ambient Temperature	$T_A$	-40	–	125	°C	

### 3.4 Electrical Characteristics

Product characteristics include the spread of values guaranteed within the specified voltage and ambient temperature range. typical characteristics are the median of the production (at  $V_S=12V$  and  $T_A=25^\circ C$ ).

**Table 5 Electrical Characteristics**

Parameter	Symbol	Values			Unit	Note / Test Condition
		Min.	Typ.	Max.		
Supply Current	$I_S$	2	4	6	mA	$V_S=2.7 V \dots 18 V$
Reverse Current	$I_{SR}$	0	0.2	1	mA	$V_S=-18 V$
Output Saturation Voltage	$V_{QSAT}$	–	0.3	0.6	V	$I_Q=20 mA$
Output leakage current	$I_{QLEAK}$	–	0.05	10	$\mu A$	$V_Q=18 V$
Output fall time <sup>1)</sup>	$t_f$	–	0.02	1	$\mu s$	$R_L=1.2k \Omega, C_L=50 pF$
Output rise time <sup>1)</sup>	$t_r$	–	0.4	1	$\mu s$	
Chopper frequency	$f_{OSC}$	–	320	–	kHz	
Switching frequency	$f_{SW}$	0	–	15 <sup>2)</sup>	kHz	
Delay time <sup>3)</sup>	$t_d$	–	13	–	$\mu s$	
Output jitter <sup>4)</sup>	$t_{QJ}$	–	1	–	$\mu s_{RMS}$	Typical value for a 1 kHz square wave signal
Power-on Time <sup>5)</sup>	$t_{PON}$	–	13	–	$\mu s$	$V_S > 2.7 V$
Thermal Resistance junction to ambient <sup>6)</sup>	$R_{thja}$	–	100	–	K/W	TLI4946K, TLI4946-2K
		–		190	K/W	TLI4946-2L

1) See [Figure 6](#)

2) To operate the sensor at maximum switching frequency, the value of the magnetic signal amplitude must be 1.4 times higher than the static fields. This is due to the -3 dB corner frequency of the low pass filter in the signal path.

3) Systematic delay between magnetic threshold reached and output.

4) Jitter is the unpredictable deviation of the output switching delay.

5) Time from applying  $V_S > 2.7 V$  to the sensor until the output state is valid.

6) Relationship between junction and ambient temperature:  $T_J = T_{amb} + R_{thja} \cdot (V_S \cdot I_S + V_{QS} \cdot I_Q)$ .

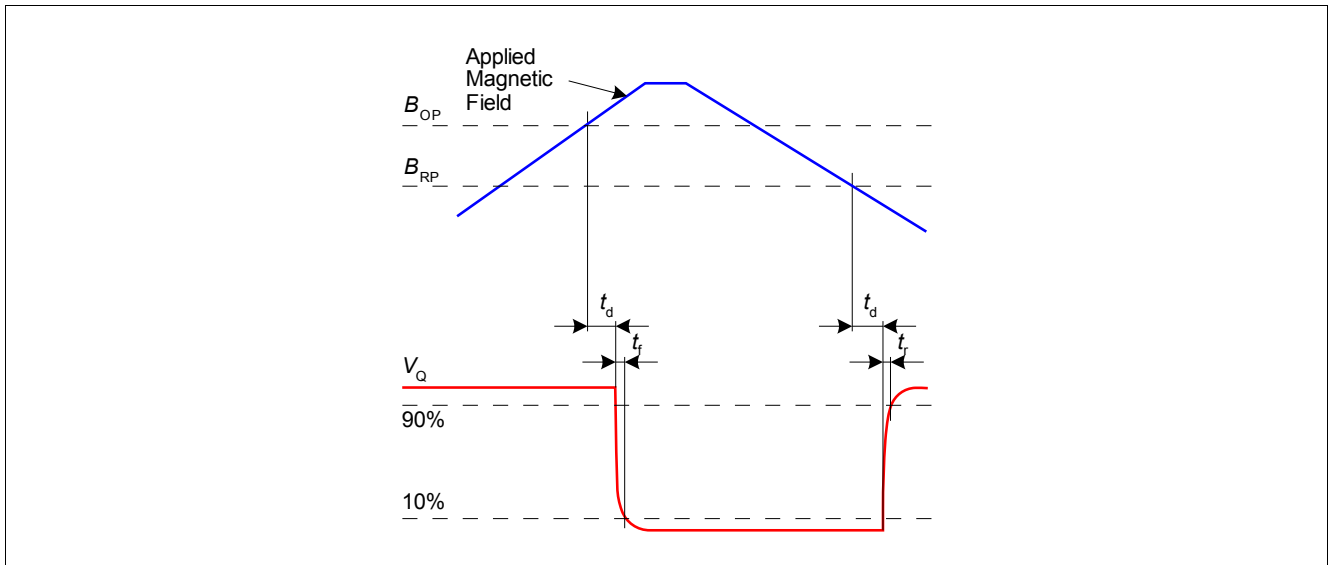


Figure 6 Timing Diagram

Table 6 Magnetic Characteristics<sup>1)</sup>

Parameter	Symbol	Values			Unit	Note / Test Condition
		Min.	Typ.	Max.		
Operate point	$B_{OP}$	6.1	14.0	19.2	mT	TLI4946K
		0.5	2.0	3.5	mT	TLI4946-2K, TLI4946-2L
Release point	$B_{RP}$	-19.2	-14.0	-6.1	mT	TLI4946K
		-3.5	-2.0	-0.5	mT	TLI4946-2K, TLI4946-2L
Hysteresis	$B_{HYS}$	22.0	28.0	34.0	mT	TLI4946K <sup>2)</sup>
		1.0	4.0	6.0	mT	TLI4946-2K, TLI4946-2L
Magnetic offset <sup>3)</sup>	$B_{OFF}$	-3.0	–	3.0	mT	TLI4946K <sup>2)</sup>
		-1.5	0	1.5	mT	TLI4946-2K, TLI4946-2L
Temperature compensation of magnetic thresholds	$TC$	–	-2000	–	ppm/°C	TLI4946K
		–	-350	–	ppm/°C	TLI4946-2K, TLI4946-2L
Repeatability of magnetic thresholds <sup>4)</sup>	$B_{REP}$	–	20	–	$\mu T_{RMS}$	typical value for $\Delta B/\Delta t > 12mT/ms$

1) Over all operating conditions

2) at 25°C.

3)  $B_{OFF} = (B_{OP} + B_{RP}) / 2$ .

4)  $B_{REP}$  is equivalent to the noise constant.

## 4 Package Information

### 4.1 TLI4946K and TLI4946-2K Package Outline

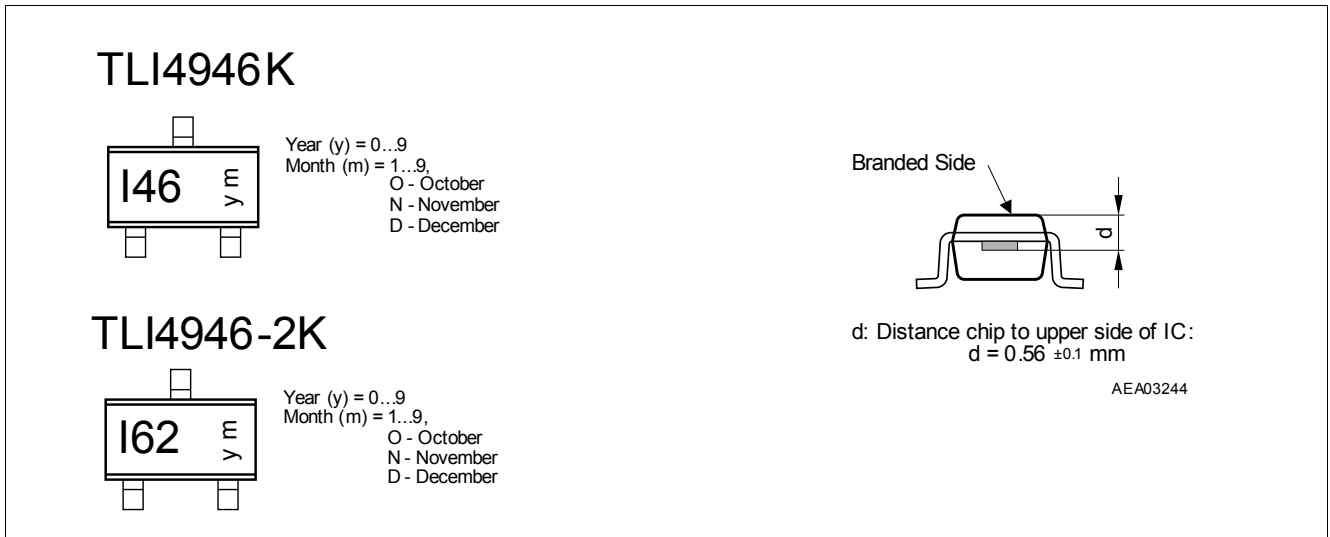


Figure 7 Marking of the TLI4946K and TLI4946-2K distance of the chip to the upper side

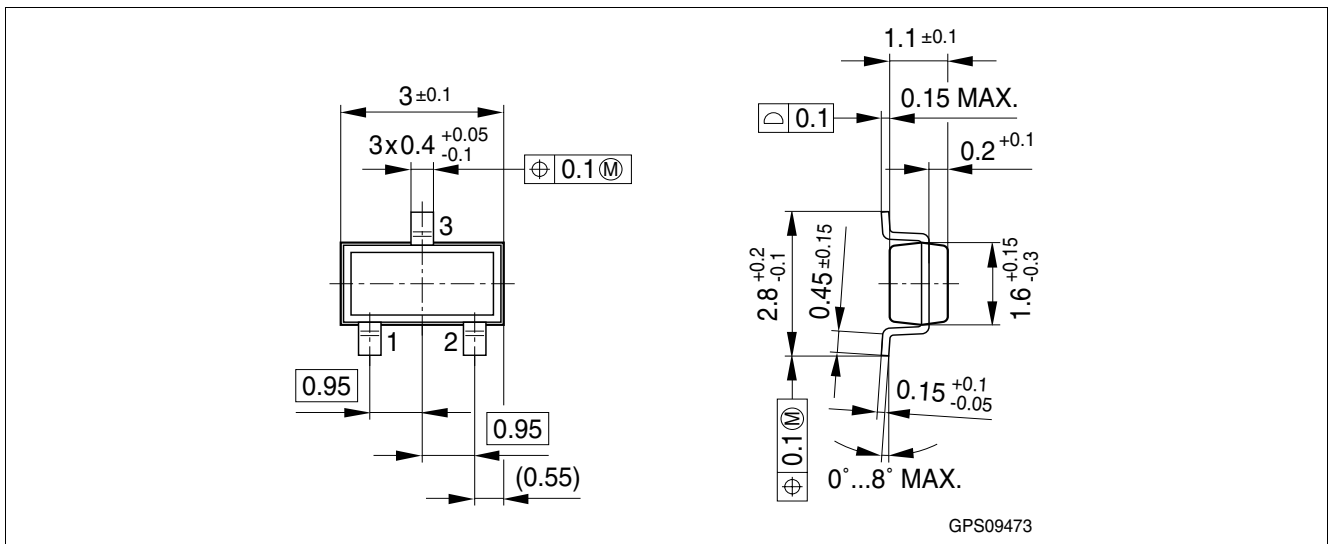


Figure 8 PG-SC59-3-4 Package Outline

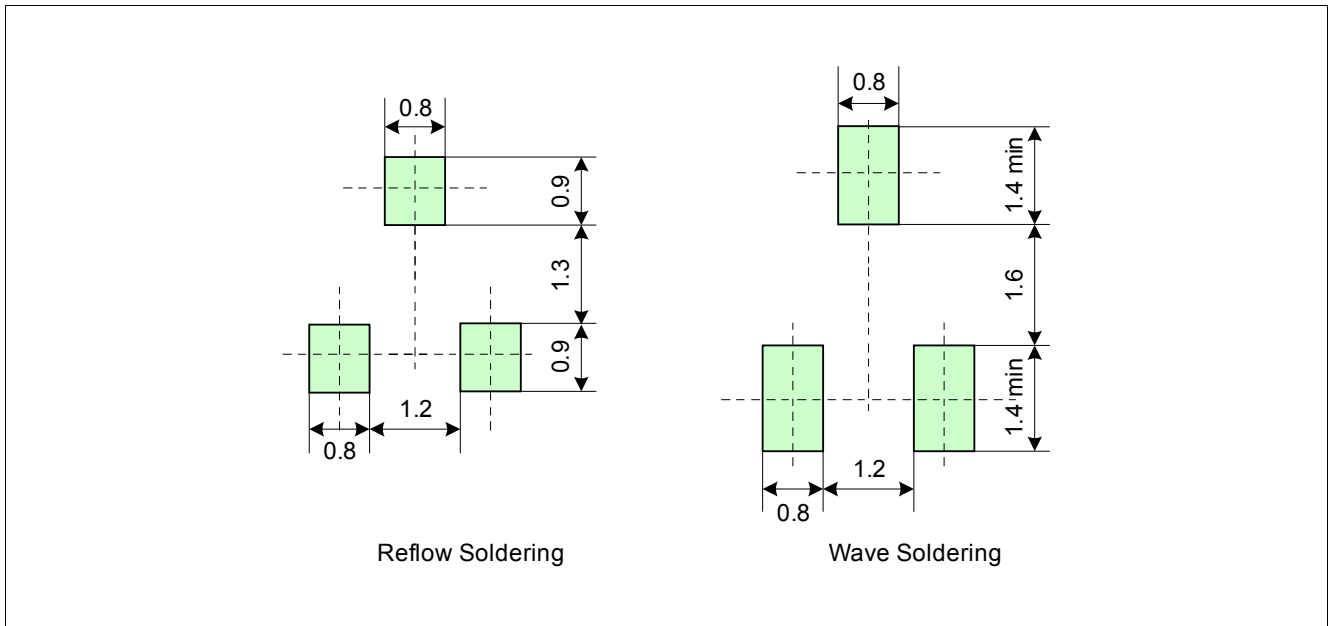


Figure 9 Footprint PG-SC59-3-4 (SOT23 compatible)

#### 4.2 TLI4946-2L Package Outline

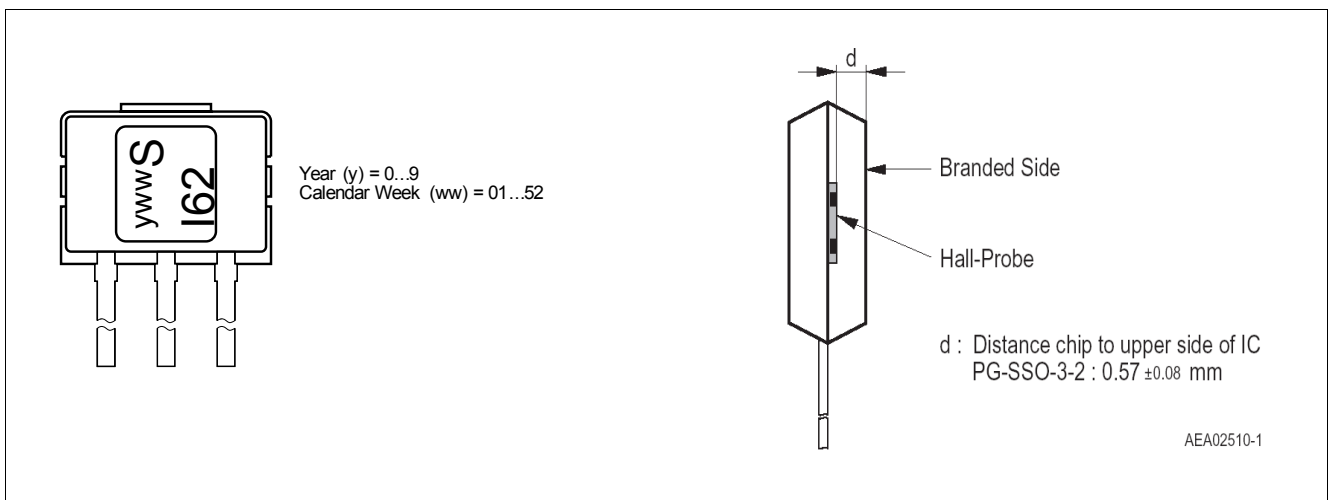


Figure 10 Marking of the TLI4946-2L and distance of the chip to the upper side

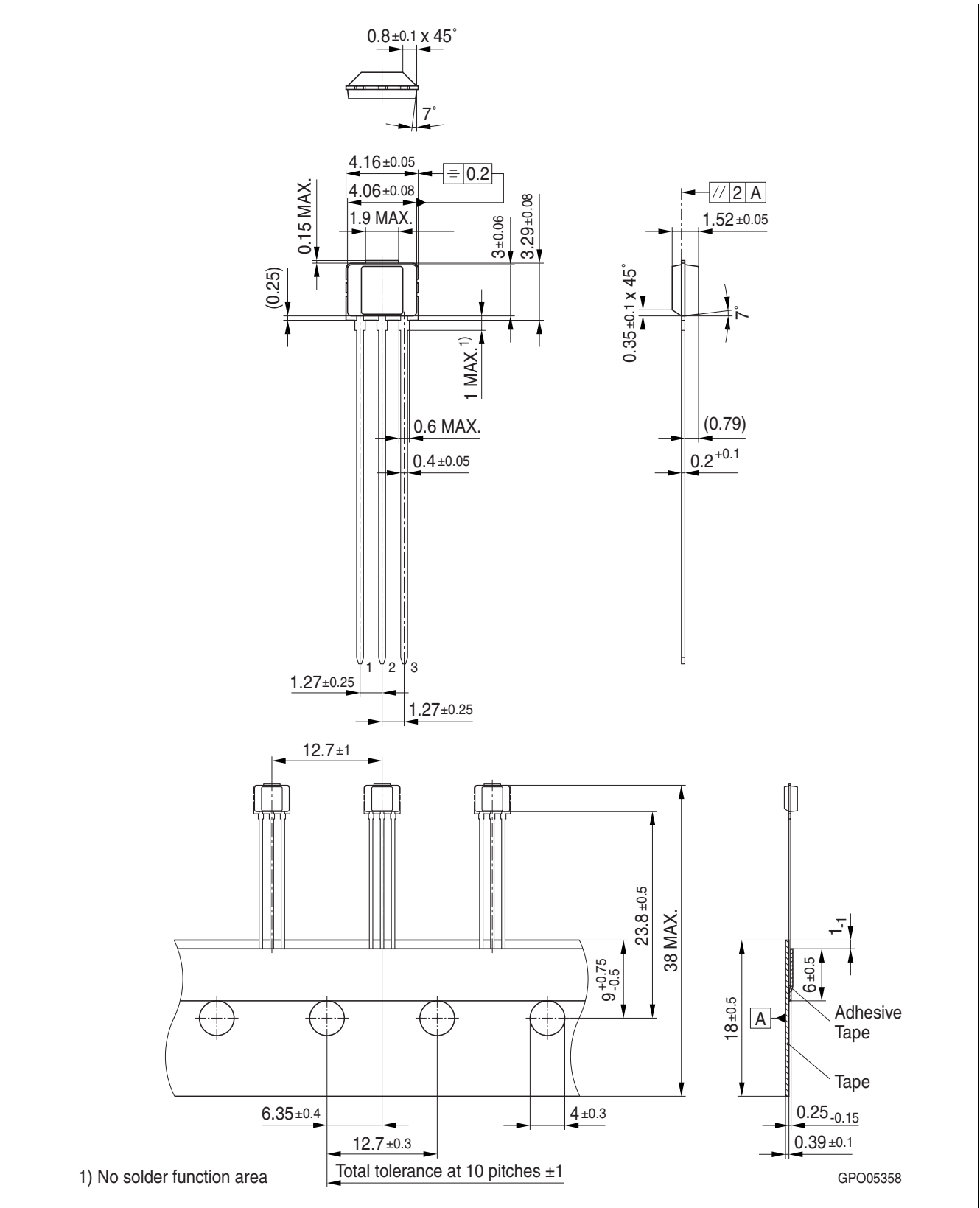


Figure 11 PG-SSO-3-2 Package Outline



[www.infineon.com](http://www.infineon.com)



Компания «ЭлектроПласт» предлагает заключение долгосрочных отношений при поставках импортных электронных компонентов на взаимовыгодных условиях!

Наши преимущества:

- Оперативные поставки широкого спектра электронных компонентов отечественного и импортного производства напрямую от производителей и с крупнейших мировых складов;
- Поставка более 17-ти миллионов наименований электронных компонентов;
- Поставка сложных, дефицитных, либо снятых с производства позиций;
- Оперативные сроки поставки под заказ (от 5 рабочих дней);
- Экспресс доставка в любую точку России;
- Техническая поддержка проекта, помощь в подборе аналогов, поставка прототипов;
- Система менеджмента качества сертифицирована по Международному стандарту ISO 9001;
- Лицензия ФСБ на осуществление работ с использованием сведений, составляющих государственную тайну;
- Поставка специализированных компонентов (Xilinx, Altera, Analog Devices, Intersil, Interpoint, Microsemi, Aeroflex, Peregrine, Syfer, Eurofarad, Texas Instrument, Miteq, Cobham, E2V, MA-COM, Hittite, Mini-Circuits, General Dynamics и др.);

Помимо этого, одним из направлений компании «ЭлектроПласт» является направление «Источники питания». Мы предлагаем Вам помощь Конструкторского отдела:

- Подбор оптимального решения, техническое обоснование при выборе компонента;
- Подбор аналогов;
- Консультации по применению компонента;
- Поставка образцов и прототипов;
- Техническая поддержка проекта;
- Защита от снятия компонента с производства.



#### Как с нами связаться

**Телефон:** 8 (812) 309 58 32 (многоканальный)

**Факс:** 8 (812) 320-02-42

**Электронная почта:** [org@eplast1.ru](mailto:org@eplast1.ru)

**Адрес:** 198099, г. Санкт-Петербург, ул. Калинина, дом 2, корпус 4, литера А.