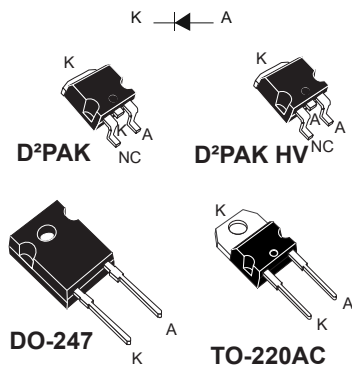



## Automotive turbo 2 ultrafast high voltage rectifier



## Features

- AEC-Q101 qualified 
- High junction temperature capability
- Ultrafast with soft recovery behavior
- Low reverse current
- Low thermal resistance
- Reduce switching and conduction losses
- PPAP capable
- D<sup>2</sup>PAK HV creepage distance (anode to cathode) = 5.38 mm min. (with top coating)
- V<sub>RRM</sub> guaranteed from -40 °C to 175 °C
- ECOPACK<sup>®2</sup> compliant (DO-247, TO-220AC)

## Applications

- Output rectification
- PFC
- UPS
- Air conditioning
- Charging station

## Product status link

[STTH30RQ06-Y](#)

## Product summary

I <sub>F(AV)</sub>	30 A
V <sub>RRM</sub>	600 V
V <sub>F</sub> (typ.)	1.45 V
t <sub>rr</sub> (max.)	30 ns
T <sub>j</sub>	-40 °C to +175 °C

## Description

The STTH30RQ06-Y has been developed to be used in application requiring a high-voltage secondary rectification for LLC Full Bridge topology.

It is also suited for use in switching power supplies and automotive applications, industrial applications, as rectification, freewheeling and clamping diode.

# 1 Characteristics

**Table 1. Absolute ratings (limiting values, at 25 °C, unless otherwise specified)**

Symbol	Parameter		Value	Unit	
V <sub>RRM</sub>	Repetitive peak reverse voltage	T <sub>j</sub> = -40 °C to +175 °C	600	V	
I <sub>F(RMS)</sub>	Forward rms current		50	A	
I <sub>F(AV)</sub>	Average forward current $\delta = 0.5$ , square wave	T <sub>C</sub> = 125 °C	30	A	
I <sub>FSM</sub>	Surge non repetitive forward current	t <sub>p</sub> = 10 ms sinusoidal	D <sup>2</sup> PAK, D <sup>2</sup> PAK HV	180	A
			TO-220AC, DO-247	200	
T <sub>stg</sub>	Storage temperature range		-65 to +175	°C	
T <sub>j</sub>	Operating junction temperature range		-40 to +175	°C	

**Table 2. Thermal parameters**

Symbol	Parameter	Max. value	Unit
R <sub>th(j-c)</sub>	Junction to case	0.7	°C/W

**Table 3. Static electrical characteristics**

Symbol	Parameter	Test conditions		Min.	Typ.	Max.	Unit
I <sub>R</sub> <sup>(1)</sup>	Reverse leakage current	T <sub>j</sub> = 25 °C	V <sub>R</sub> = V <sub>RRM</sub>	-		40	μA
		T <sub>j</sub> = 150 °C		-	80	800	
V <sub>F</sub> <sup>(2)</sup>	Forward voltage drop	T <sub>j</sub> = 25 °C	I <sub>F</sub> = 15 A	-		2.45	V
		T <sub>j</sub> = 150 °C		-	1.15	1.45	
		T <sub>j</sub> = 25 °C	I <sub>F</sub> = 30 A	-		2.95	
		T <sub>j</sub> = 150 °C		-	1.45	1.85	

1. Pulse test: t<sub>p</sub> = 5 ms,  $\delta < 2\%$

2. Pulse test: t<sub>p</sub> = 380 μs,  $\delta < 2\%$

To evaluate the conduction losses, use the following equation:

$$P = 1.05 \times I_{F(AV)} + 0.026 \times I_F^2 (RMS)$$

**Table 4. Dynamic electrical characteristics**

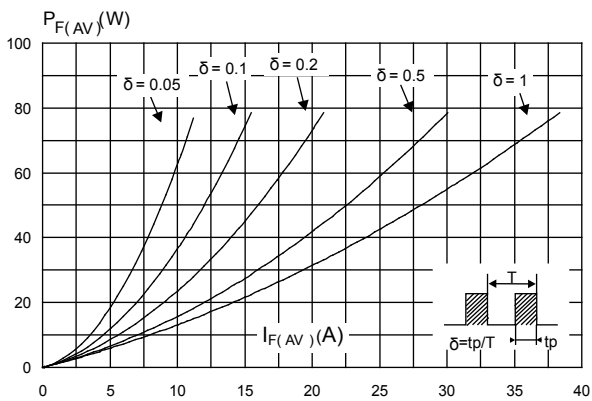
Symbol	Parameter	Test conditions			Min.	Typ.	Max.	Unit
t <sub>rr</sub>	Reverse recovery time	T <sub>j</sub> = 25 °C	I <sub>F</sub> = 0.5 A, I <sub>R</sub> = 1 A, I <sub>rr</sub> = 0.25 A		-		30	ns
			I <sub>F</sub> = 1 A, V <sub>R</sub> = 30 V, di <sub>F</sub> /dt = -50 A/μs		-	40	55	
I <sub>RM</sub>	Reverse recovery current	T <sub>j</sub> = 125 °C	I <sub>F</sub> = 30 A, V <sub>R</sub> = 400 V, di <sub>F</sub> /dt = -200 A/μs		-	8	11	A
Q <sub>RR</sub>	Reverse recovery charge				-	485		nC
t <sub>rr</sub>	Reverse recovery time				-	95		ns

For more information, please refer to the following application notes related to the power losses:

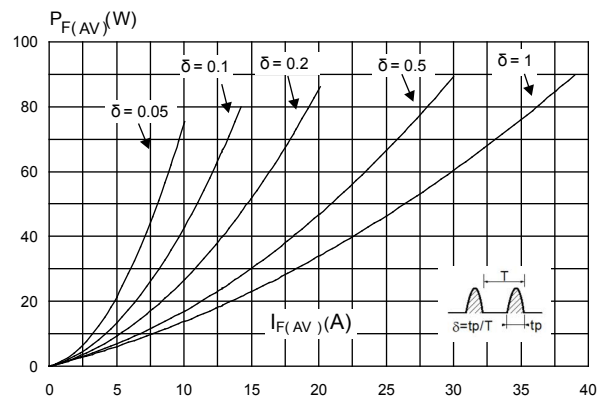
- AN604: Calculation of conduction losses in a power rectifier
- AN4021: Calculation of reverse losses in a power diode

## 1.1 Characteristics (curves)

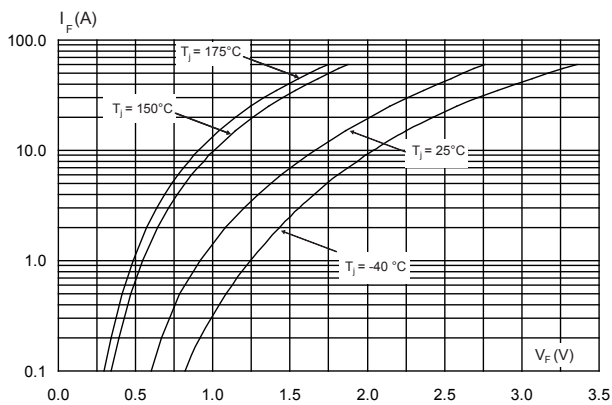
**Figure 1. Average forward power dissipation versus average forward current (square waveform)**



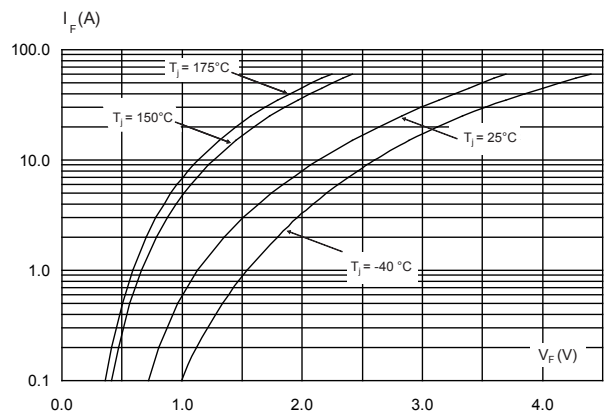
**Figure 2. Average forward power dissipation versus average forward current (sinusoidal waveform)**



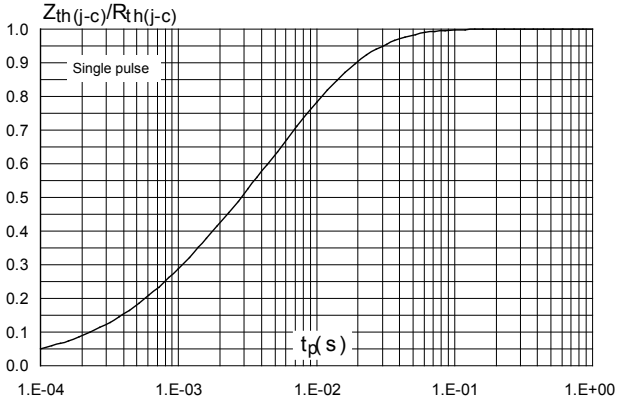
**Figure 3. Forward voltage drop versus forward current (typical values)**



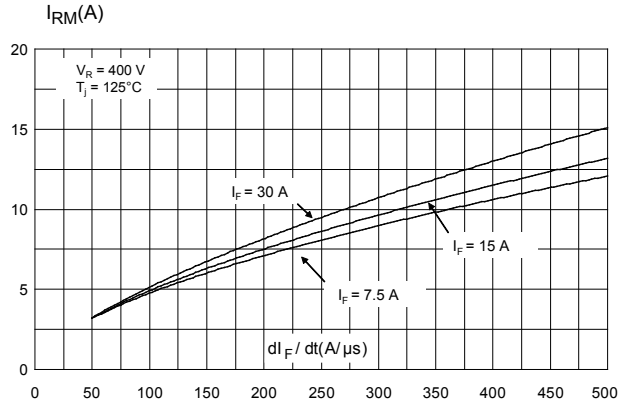
**Figure 4. Forward voltage drop versus forward current (maximum values)**



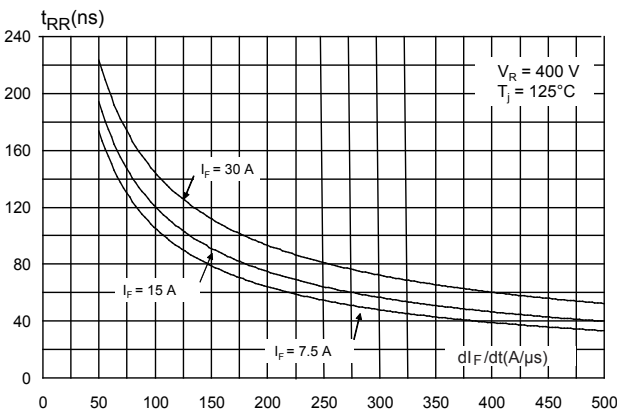
**Figure 5. Relative variation of thermal impedance junction to case versus pulse duration**



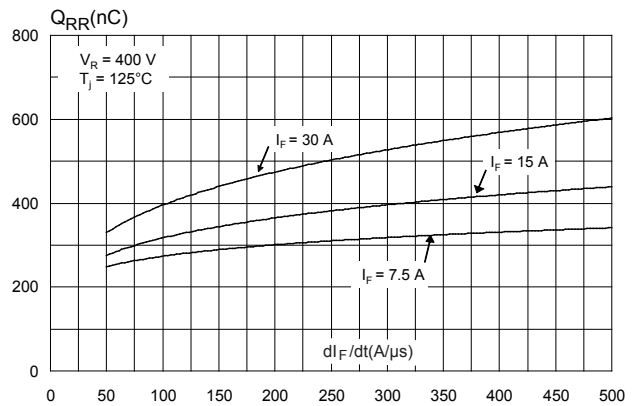
**Figure 6. Peak reverse recovery current versus  $di_F/dt$  (typical values)**



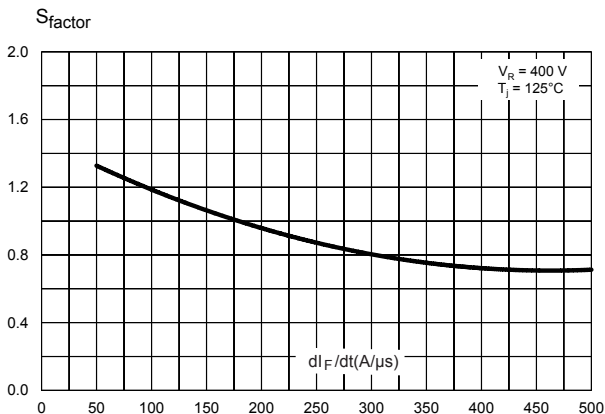
**Figure 7. Reverse recovery time versus  $di_F/dt$  (typical values)**



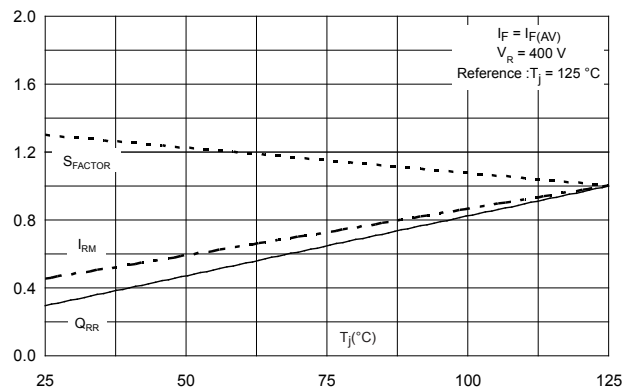
**Figure 8. Reverse recovery charges versus  $di_F/dt$  (typical values)**



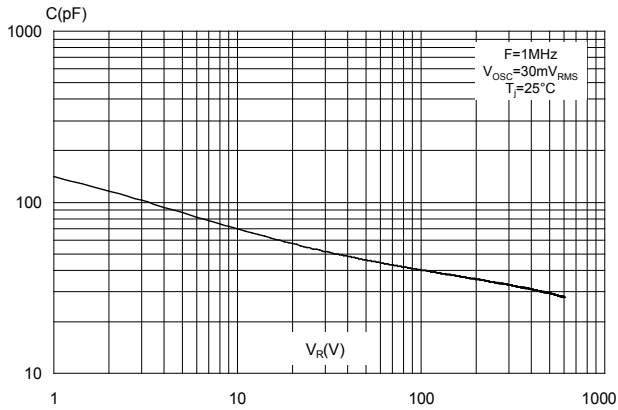
**Figure 9. Reverse recovery softness factor versus  $di_F/dt$  (typical values)**



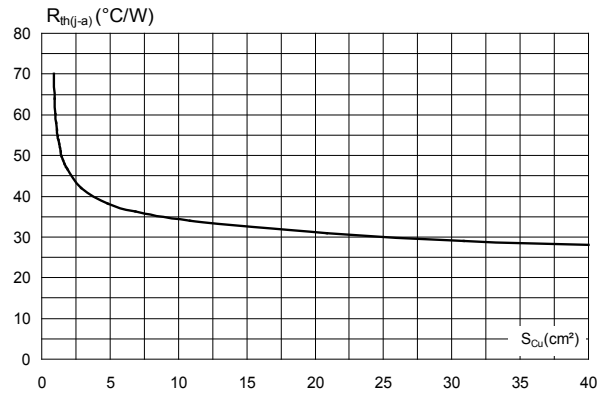
**Figure 10. Relative variations of dynamic parameters versus junction temperature**



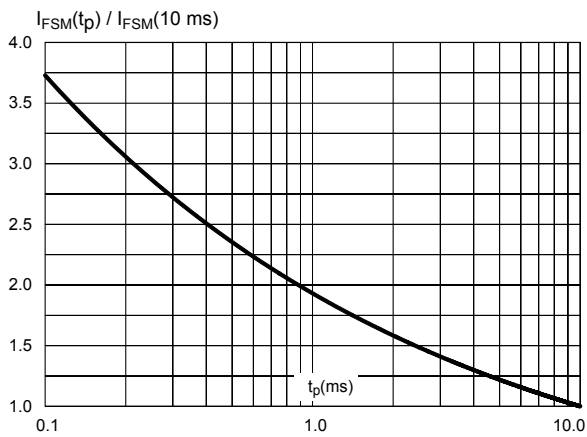
**Figure 11. Junction capacitance versus reverse voltage applied (typical values)**



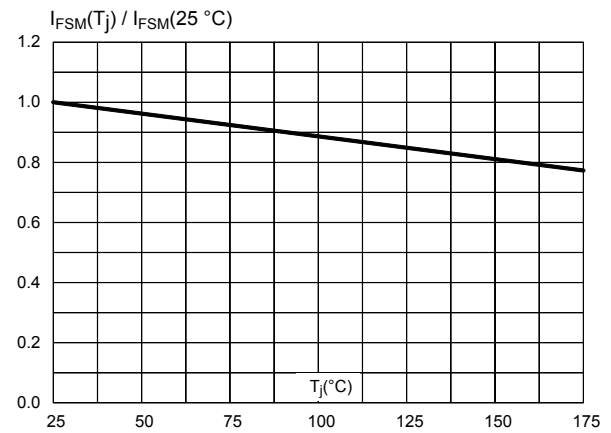
**Figure 12. Thermal resistance junction to ambient versus copper surface under tab (typical values, epoxy printed board FR4,  $\epsilon_{Cu} = 35 \mu\text{m}$ )(D<sup>2</sup>PAK and D<sup>2</sup>PAK HV)**



**Figure 13. Relative variation of non-repetitive peak surge forward current versus pulse duration (sinusoidal waveform)**



**Figure 14. Relative variation of non-repetitive peak surge forward current versus initial junction temperature (sinusoidal waveform)**



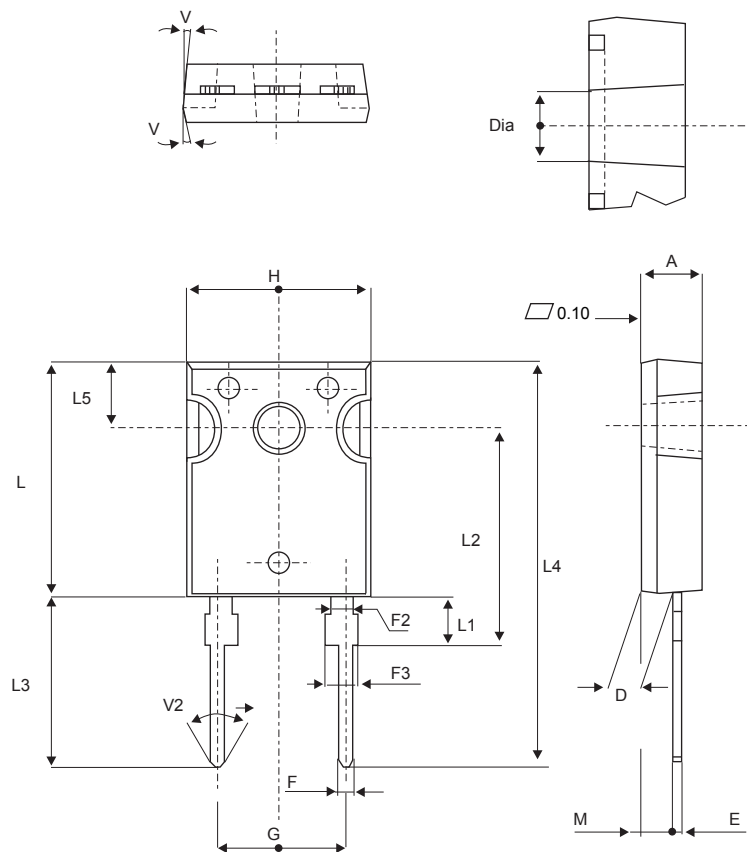
## 2 Package information

In order to meet environmental requirements, ST offers these devices in different grades of **ECOPACK®** packages, depending on their level of environmental compliance. ECOPACK® specifications, grade definitions and product status are available at: [www.st.com](http://www.st.com). ECOPACK® is an ST trademark.

### 2.1 DO-247 package information

- Epoxy meets UL94, V0
- Cooling method: by conduction (C)
- Recommended torque value: 0.8 N·m (DO-247)
- Maximum torque value: 1.0 N·m (DO-247)

**Figure 15. DO-247 package outline**



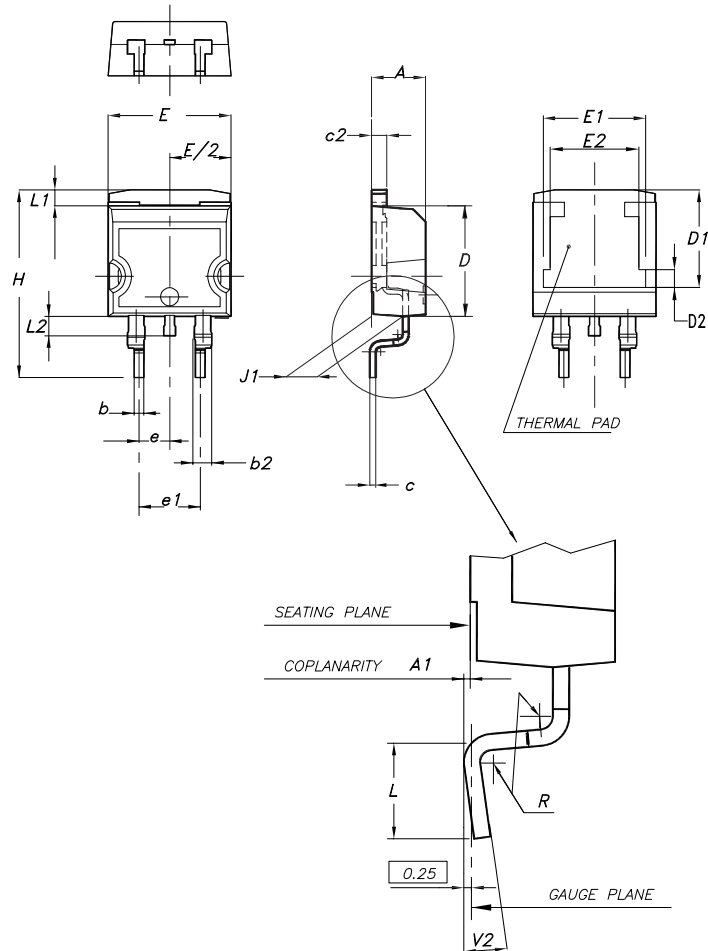
**Table 5. DO-247 package mechanical data**

Ref.	Dimensions			
	Millimeters		Inches	
	Min.	Max.	Min.	Max.
A	4.85	5.15	0.191	0.203
D	2.20	2.60	0.086	0.102
E	0.40	0.80	0.015	0.031
F	1.00	1.40	0.039	0.055
F2	2.00 typ.		0.078 typ.	
F3	2.00	2.40	0.078	0.094
G	10.90 typ.		0.429 typ.	
H	15.45	15.75	0.608	0.620
L	19.85	20.15	0.781	0.793
L1	3.70	4.30	0.145	0.169
L2	18.50 typ.		0.728 typ.	
L3	14.20	14.80	0.559	0.582
L4	34.60 typ.		1.362 typ.	
L5	5.50 typ.		0.216 typ.	
M	2.00	3.00	0.078	0.118
V	5°		5°	
V2	60°		60°	
Dia.	3.55	3.65	0.139	0.143

## 2.2 D<sup>2</sup>PAK package information

- Epoxy meets UL94, V0.
- Cooling method: by conduction (C)

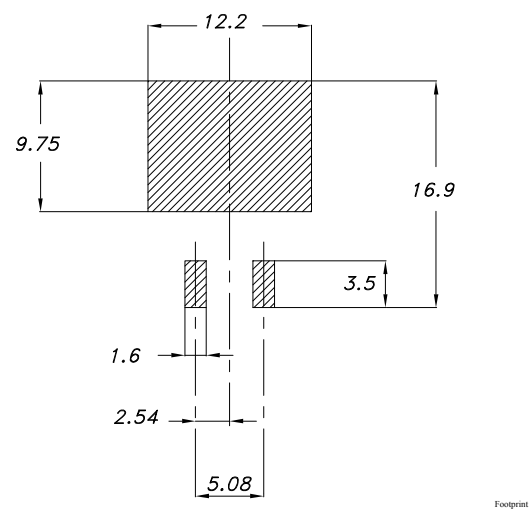
Figure 16. D<sup>2</sup>PAK package outline





**Table 6. D<sup>2</sup>PAK package mechanical data**

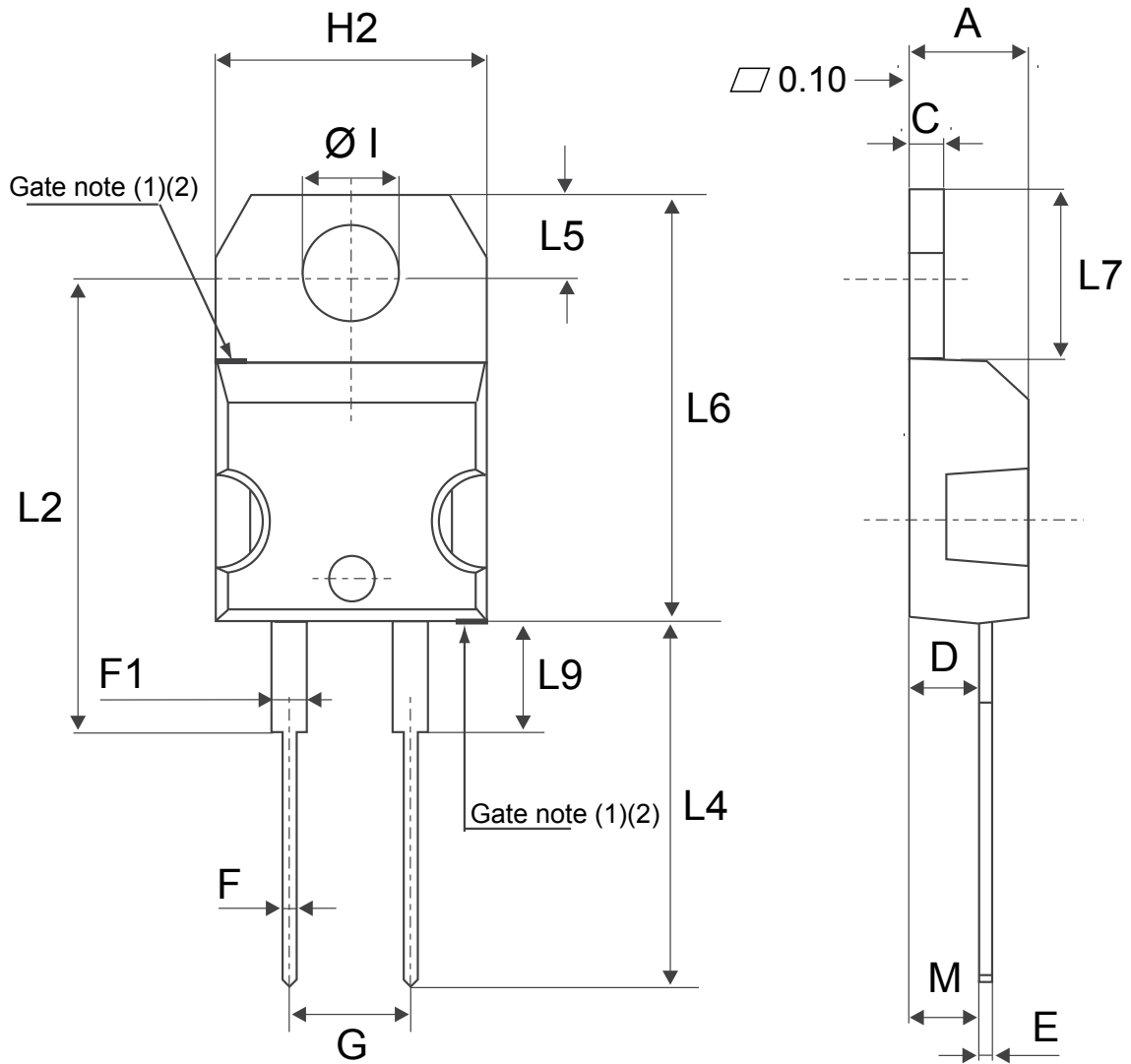
Ref.	Dimensions					
	Millimeters			Inches (for reference only)		
	Min.	Typ.	Max.	Min.	Typ.	Max.
A	4.40		4.60	0.173		0.181
A1	0.03		0.23	0.001		0.009
b	0.70		0.93	0.028		0.037
b2	1.14		1.70	0.045		0.067
c	0.45		0.60	0.018		0.024
c2	1.23		1.36	0.048		0.053
D	8.95		9.35	0.352		0.368
D1	7.50	7.75	8.00	0.295	0.305	0.315
D2	1.10	1.30	1.50	0.043	0.051	0.060
E	10.00		10.40	0.394		0.409
E1	8.30	8.50	8.70	0.335	0.343	0.346
E2	6.85	7.05	7.25	0.266	0.278	0.282
e		2.54			0.100	
e1	4.88		5.28	0.190		0.205
H	15.00		15.85	0.591		0.624
J1	2.49		2.69	0.097		0.106
L	2.29		2.79	0.090		0.110
L1	1.27		1.40	0.049		0.055
L2	1.30		1.75	0.050		0.069
R		0.40			0.015	
V2	0°		8°	0°		8°

**Figure 17. D<sup>2</sup>PAK recommended footprint (dimensions are in mm)**


### 2.3 TO-220AC package information

- Epoxy meets UL 94, V0
- Cooling method: by conduction (C)
- Recommended torque value: 0.55 N·m
- Maximum torque value: 0.70 N·m

Figure 18. TO-220AC package outline



(1) :Max resin gate protusion 0.5 mm

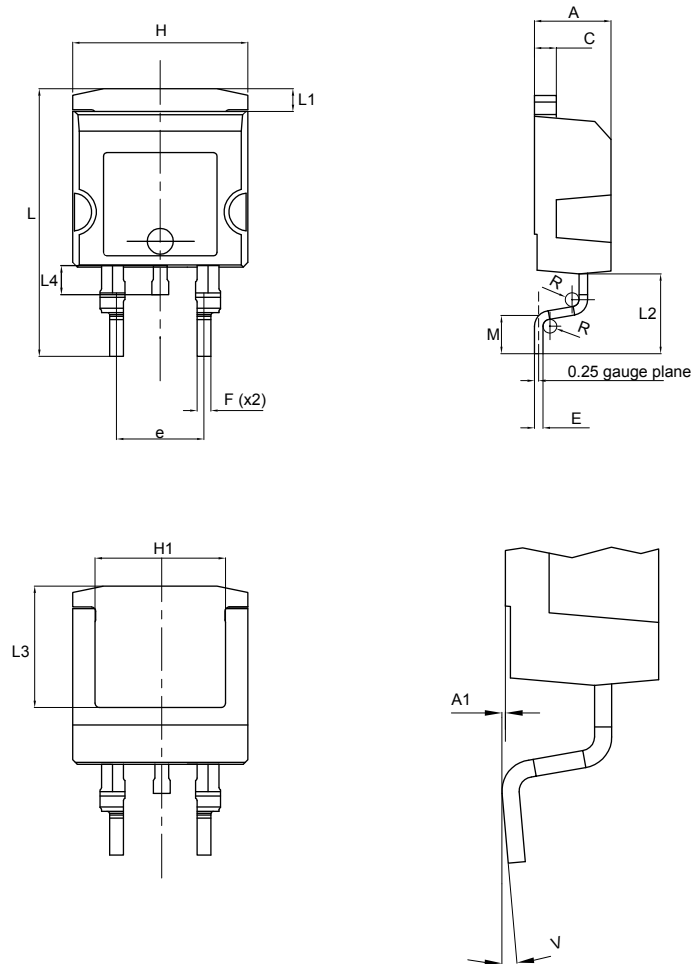
(2) :Resin gate position is accepted in each of the two positions shown on the drawings or their symmetrical

**Table 7. TO-220AC package mechanical data**

Ref.	Dimensions			
	Millimeters		Inches (for reference only)	
	Min.	Max.	Min.	Max.
A	4.40	4.60	0.173	0.181
C	1.23	1.32	0.048	0.051
D	2.40	2.72	0.094	0.107
E	0.49	0.70	0.019	0.027
F	0.61	0.88	0.024	0.034
F1	1.14	1.70	0.044	0.066
G	4.95	5.15	0.194	0.202
H2	10.00	10.40	0.393	0.409
L2	16.40 typ.		0.645 typ.	
L4	13.00	14.00	0.511	0.551
L5	2.65	2.95	0.104	0.116
L6	15.25	15.75	0.600	0.620
L7	6.20	6.60	0.244	0.259
L9	3.50	3.93	0.137	0.154
M	2.60 typ.		0.102 typ.	
Diam	3.75	3.85	0.147	0.151

## 2.4 D<sup>2</sup>PAK HV package information

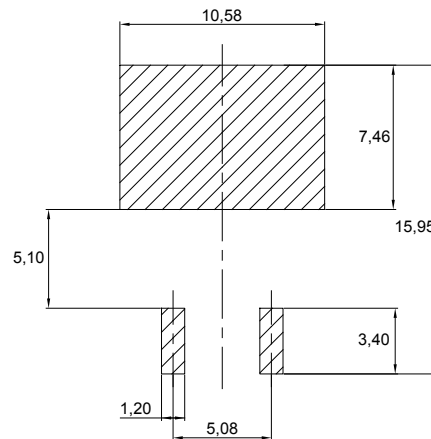
Figure 19. D<sup>2</sup>PAK high voltage package outline



**Table 8. D<sup>2</sup>PAK high voltage package mechanical data**

Ref.	Dimensions		
	Min.	Typ.	Max.
A	4.30		4.70
A1	0.03		0.20
C	1.17		1.37
e	4.98		5.18
E	0.50		0.90
F	0.78		0.85
H	10.00		10.40
H1	7.40		7.80
L	15.30		15.80
L1	1.27		1.40
L2	4.93		5.23
L3	6.85		7.25
L4	1.5		1.7
M	2.6		2.9
R	0.20		0.60
V	0°		8°

**Figure 20. D<sup>2</sup>PAK High Voltage footprint in mm**



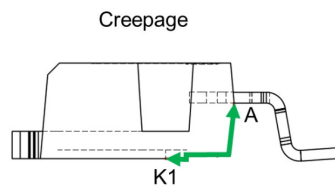
### 2.4.1 Creepage distance between anode and cathode

**Table 9. Creepage distance between anode and cathode**

Symbol	Parameter		Value	Unit
Cd <sub>A-K1</sub>	Minimum creepage distance between A and K1 (with top coating)	D <sup>2</sup> PAK HV	5.38	mm
Cd <sub>A-K2</sub>	Minimum creepage distance between A and K2 (without top coating)		3.48	

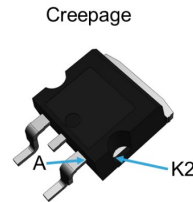
*Note:* D<sup>2</sup>PAK HV creepage distance (anode to cathode) = 5.38 mm min. (refer to IEC 60664-1)

**Figure 21. Creepage with top coating**



Minimum distance between A & K1 = 5.38 mm (with top coating)

**Figure 22. Creepage without top coating**



Minimum distance between A & K2 = 3.48 mm (without top coating)

### 3 Ordering information

**Table 10. Ordering information**

Order code	Marking	Package	Weight	Base qty.	Delivery mode
STTH30RQ06GY-TR	STTH30RQ06GY	D <sup>2</sup> PAK	1.48 g	1000	Tape and reel
STTH30RQ06DY	STTH30RQ06DY	TO-220AC	1.86 g	50	Tube
STTH30RQ06WY	STTH30RQ06WY	DO-247	4.40 g	30	Tube
STTH30RQ06G2Y-TR	TH30RQ06G2Y	D <sup>2</sup> PAK HV	1.48 g	1000	Tape and reel

## Revision history

**Table 11. Document revision history**

Date	Revision	Changes
12-Jun-2017	1	Initial release.
09-Oct-2018	2	Added D <sup>2</sup> PAK HV package.
20-Nov-2018	3	Updated Features and <a href="#">Table 9</a> . Creepage distance between anode and cathode. added <a href="#">Figure 22</a> . Creepage without top coating.



**IMPORTANT NOTICE – PLEASE READ CAREFULLY**

STMicroelectronics NV and its subsidiaries (“ST”) reserve the right to make changes, corrections, enhancements, modifications, and improvements to ST products and/or to this document at any time without notice. Purchasers should obtain the latest relevant information on ST products before placing orders. ST products are sold pursuant to ST’s terms and conditions of sale in place at the time of order acknowledgement.

Purchasers are solely responsible for the choice, selection, and use of ST products and ST assumes no liability for application assistance or the design of Purchasers’ products.

No license, express or implied, to any intellectual property right is granted by ST herein.

Resale of ST products with provisions different from the information set forth herein shall void any warranty granted by ST for such product.

ST and the ST logo are trademarks of ST. All other product or service names are the property of their respective owners.

Information in this document supersedes and replaces information previously supplied in any prior versions of this document.

© 2018 STMicroelectronics – All rights reserved



Компания «ЭлектроПласт» предлагает заключение долгосрочных отношений при поставках импортных электронных компонентов на взаимовыгодных условиях!

Наши преимущества:

- Оперативные поставки широкого спектра электронных компонентов отечественного и импортного производства напрямую от производителей и с крупнейших мировых складов;
- Поставка более 17-ти миллионов наименований электронных компонентов;
- Поставка сложных, дефицитных, либо снятых с производства позиций;
- Оперативные сроки поставки под заказ (от 5 рабочих дней);
- Экспресс доставка в любую точку России;
- Техническая поддержка проекта, помощь в подборе аналогов, поставка прототипов;
- Система менеджмента качества сертифицирована по Международному стандарту ISO 9001;
- Лицензия ФСБ на осуществление работ с использованием сведений, составляющих государственную тайну;
- Поставка специализированных компонентов (Xilinx, Altera, Analog Devices, Intersil, Interpoint, Microsemi, Aeroflex, Peregrine, Syfer, Eurofarad, Texas Instrument, Miteq, Cobham, E2V, MA-COM, Hittite, Mini-Circuits, General Dynamics и др.);

Помимо этого, одним из направлений компании «ЭлектроПласт» является направление «Источники питания». Мы предлагаем Вам помощь Конструкторского отдела:

- Подбор оптимального решения, техническое обоснование при выборе компонента;
- Подбор аналогов;
- Консультации по применению компонента;
- Поставка образцов и прототипов;
- Техническая поддержка проекта;
- Защита от снятия компонента с производства.



#### Как с нами связаться

**Телефон:** 8 (812) 309 58 32 (многоканальный)

**Факс:** 8 (812) 320-02-42

**Электронная почта:** [org@eplast1.ru](mailto:org@eplast1.ru)

**Адрес:** 198099, г. Санкт-Петербург, ул. Калинина, дом 2, корпус 4, литера А.