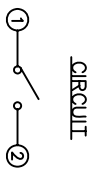
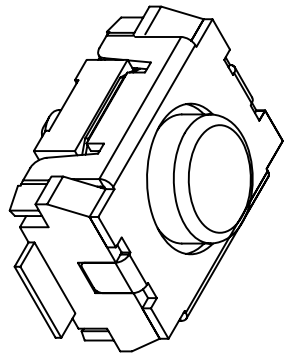
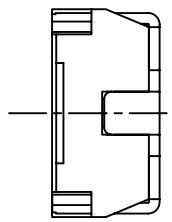
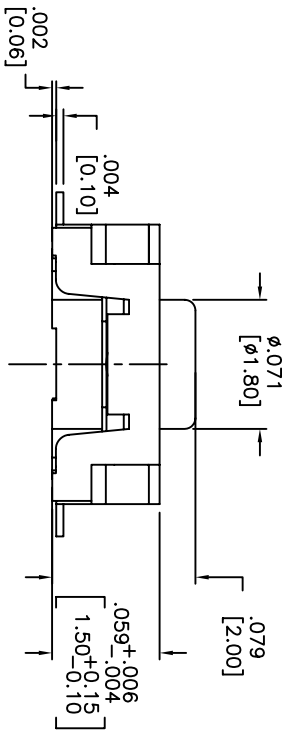
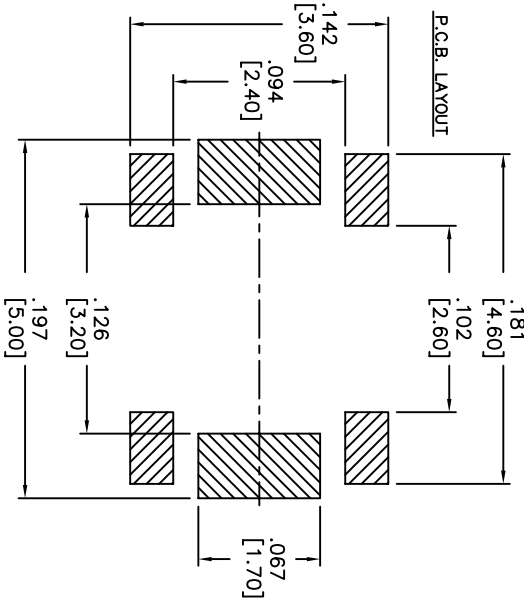
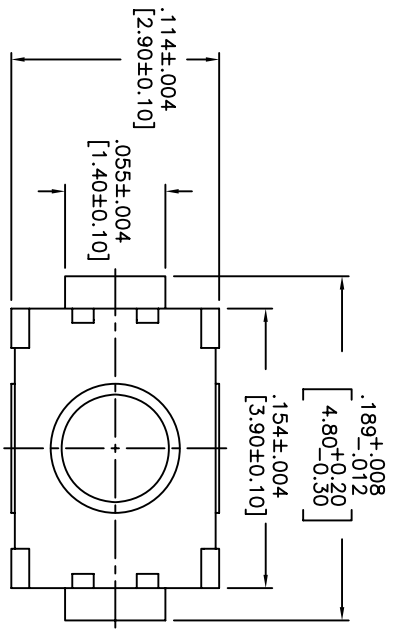




THIS DOCUMENT IS THE PROPERTY OF APM COMPONENTS AND SHALL NOT BE COPIED, REPRODUCED, DISCLOSED OR USED AS THE BASIS FOR MANUFACTURING OR SALE WITHOUT PERMISSION OF A DULY AUTHORIZED REPRESENTATIVE OF APM COMPONENTS INC.



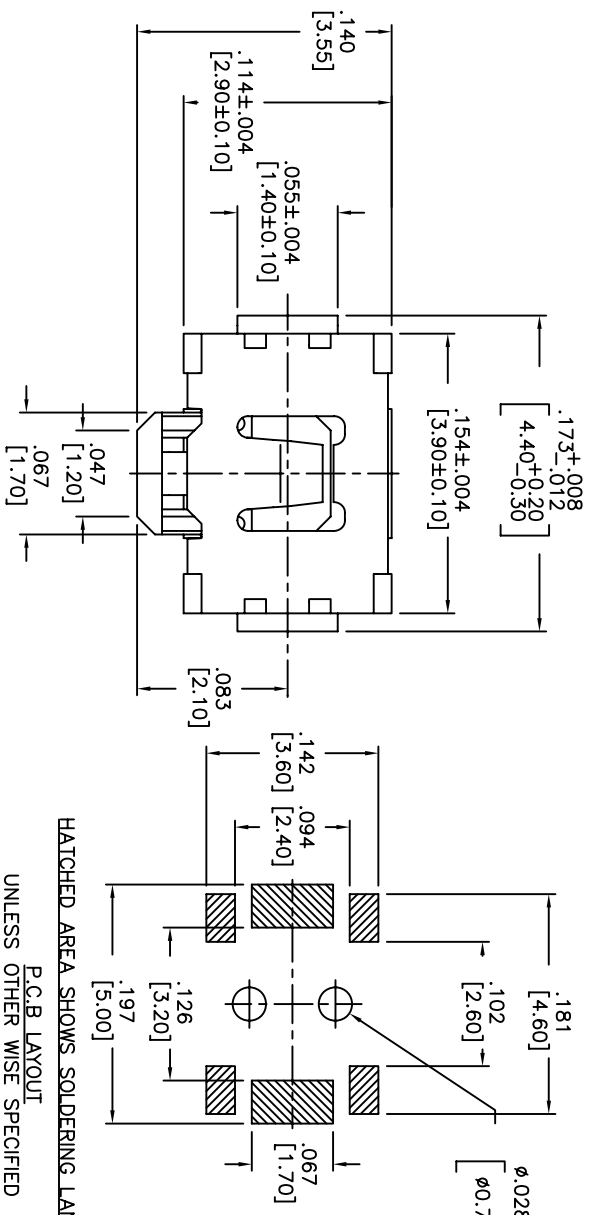
DATE	SYM	REVISION RECORD	DWN.	CK.
5/08	B	ECO# 778	CD	PD

DESCRIPTION: VERTICAL PUSH MECHANICAL CONTACT SWITCH.  
 SPECIFICATIONS:  
 OPERATION FORCE: 160±50gf  
 OPERATION TEMP.: -25°C TO +70°C.  
 STORAGE TEMP.: -30°C TO +80°C.  
 ELECTRICAL LIFE: 100,000 CYCLES.  
 RATING: 50ma, 12VDC.  
 VIBRATION RESISTANCE: PASSES METHOD 201A MIL-STD-202F  
 SHOCK RESISTANCE: 50G PER METHOD 213B MIL-STD-202F  
 CONTACT RESISTANCE: 100mΩ MAX.  
 INSULATION RESISTANCE: 100MΩ MIN. AT 100VDC.  
 DIELECTRIC STRENGTH: 100VAC/1 MINUTE.  
 CONTACT ARRANGEMENT: 1 POLE 1 THROW.  
 MATERIALS:  
 COVER: STAINLESS STEEL  
 BASE: LCP HIGH-TEMP. THERMOPLASTIC.  
 COLOR, WHITE.  
 STEM: LCP HIGH-TEMP. THERMOPLASTIC.  
 COLOR, BLACK  
 CONTACT DISK: STAINLESS STEEL WITH SILVER CLADDING  
 TERMINAL: BRASS WITH SILVER PLATING  
 TAPE: TEFLON.  
 TAPE & REEL PACKAGING, 2,000 PER REEL  
 SOLDERING:  
 HAND SOLDERING: 30 WATT IRON AT 320°C FOR 2 SECONDS  
 IR REFLOW: 240°C MAX  
 ROHS COMPLIANT

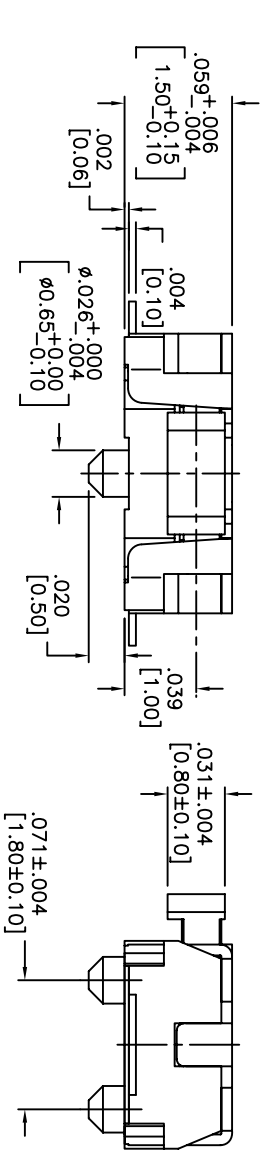
D.A. INSPECT:		DESIGNS: CRITICAL DIMENSION: (MIND) TOLERANCES (except as noted): .XX±=±.02[0.5] .XXX±=±.008[0.20] .XXXX±=±.0008[0.02] ANGLE = 30.5°	63 Neck Rd. Huntville, AL 35894 Phone: 256-772-5554 Fax: 256-772-5554	DRN. CJD BR: BR OR: PJD
DO NOT SCALE DATE: 2/4/08	SHEET 1 OF 1 SIZE B SCALE 15:1	TITLE VERTICAL PUSH TACT SWITCH	THIRD ANGLE PROJECTION 	DRAWING NO. AMPPTFGP2VTR REV B

THIS DOCUMENT IS THE PROPERTY OF APEN COMPONENTS AND SHALL NOT BE COPIED, REPRODUCED, DISCLOSED OR USED AS THE BASIS FOR MANUFACTURING OR SALE WITHOUT PERMISSION OF A DULY AUTHORIZED REPRESENTATIVE OF APEN COMPONENTS INC.

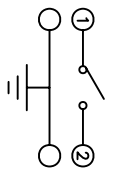
DATE	SYM	REVISION RECORD	DWNL	CK
01/06	A	ECO # 526	CD	PD
5/08	B	ECO# 778	CD	PD



HATCHED AREA SHOWS SOLDERING LAND  
P.C.B. LAYOUT  
UNLESS OTHER WISE SPECIFIED  
ALL P.C. TOLERANCES ARE ±.002 [0.05]



CIRCUIT

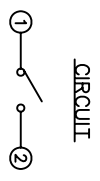
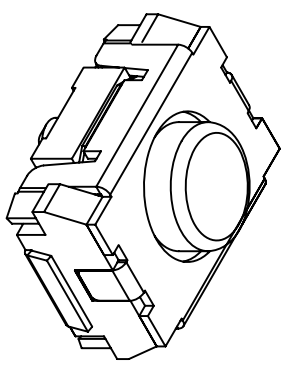
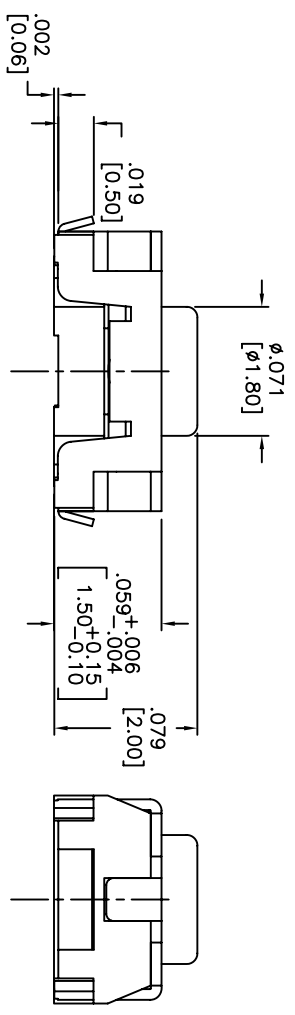
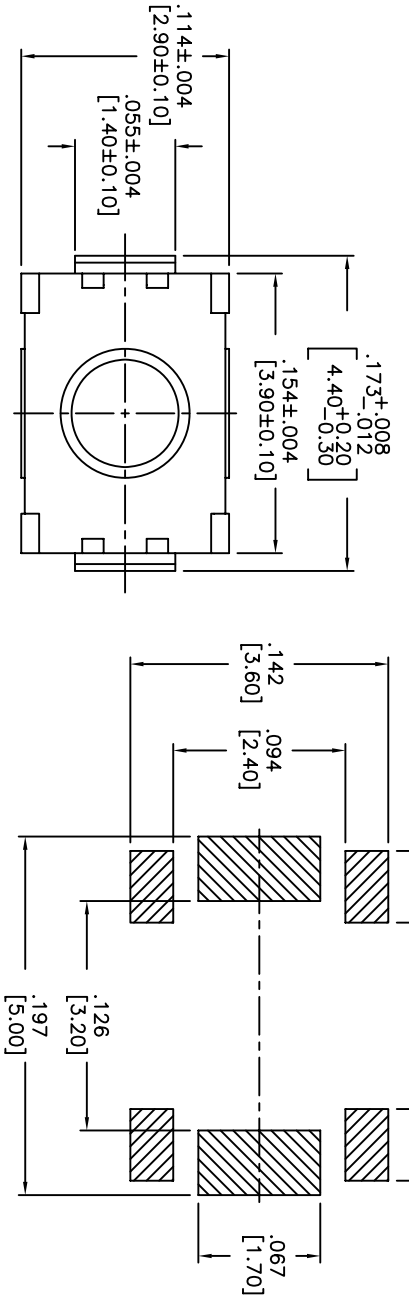


DESCRIPTION: SIDE PUSH MECHANICAL CONTACT SWITCH.  
SPECIFICATIONS:  
OPERATION FORCE: 220± 65gf  
STROKE: 0.2±0.09mm  
OPERATION TEMP.: -25°C TO +70°C.  
STORAGE TEMP.: -30° TO +80°.  
ELECTRICAL LIFE: 100,000 CYCLES.  
RATING: 50mA, 12VDC.  
CONTACT RESISTANCE: 100mΩ MAX.  
INSULATION RESISTANCE: 100MΩ MIN. AT 100VDC.  
DIELECTRIC STRENGTH: 100VAC/1 MINUTE.  
CONTACT ARRANGEMENT: 1 POLE 1 THROW.  
VIBRATION TEST: PASSED METHOD 201A  
MIL-STD-202F.  
SHOCK TEST: 50G PER METHOD 213B CONDITION A OF MIL-STD-202F

MATERIALS:  
COVER: STAINLESS STEEL  
BASE: LCP HIGH-TEMP. THERMOPLASTIC.  
COLOR, WHITE.  
STEM: LCP HIGH-TEMP. THERMOPLASTIC.  
COLOR, BLACK.  
CONTACT DISK: STAINLESS STEEL WITH SILVER CLADDING  
TERMINAL: BRASS WITH SILVER PLATING  
PACKAGING: TAPE AND REEL (3,500 PEICES PER REEL)  
ROHS COMPLIANT  
HAND SOLDERING: 320°C MAX WITH 30 WATT IRON FOR 2 SECONDS  
IR REFLOW: 240°C MAX

DESIGNER'S INITIAL		DATE	
DIMENSION		SCALE	
TOLERANCES (UNLESS OTHERWISE SPECIFIED)		DRAWING NO.	
.XXX±.XXX [0.002]		AMPTCFGVTR	
.XXX±.XXX [0.002]		REV	
.XXX±.XXX [0.002]		B	
ANGLE = 30.5°			
DO NOT SCALE			
APEN COMPONENTS INC. 63 NACK RD. 01835		PRN. CJD	
MILBURY, MA 01854		BR. PD	
TEL: 978-372-5554		THIRD ANGLE PROJECTION	
FAX: 978-372-5554		REV	
TITLE		REV	
TACT SWITCH		B	
SHEET 1 OF 1			
SIZE B			
SCALE 15:1			
DATE 06/30/05			

THIS DOCUMENT IS THE PROPERTY OF APDM COMPONENTS AND SHALL NOT BE COPIED, REPRODUCED, DISCLOSED OR SALE WITHOUT PERMISSION OF A DULY AUTHORIZED REPRESENTATIVE OF APDM COMPONENTS INC.



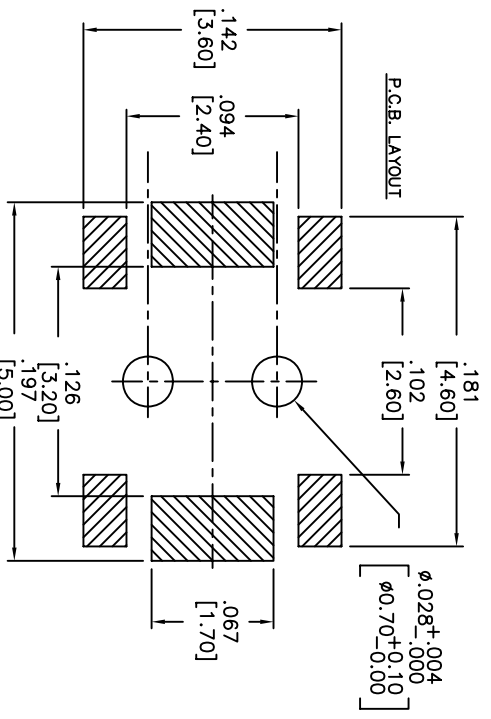
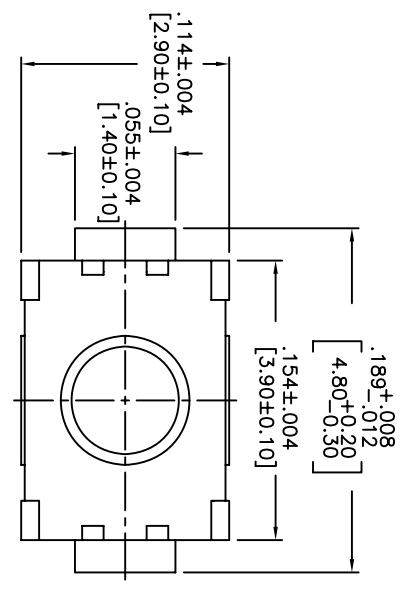
DATE	SYM	REVISION RECORD	DWNL	CK
5/08	B	ECO# 778	CD	PD

DESCRIPTION: VERTICAL PUSH MECHANICAL CONTACT SWITCH.  
 SPECIFICATIONS:  
 OPERATION FORCE: 160± 50gf  
 OPERATION TEMP.: -25°C TO +70°C.  
 STORAGE TEMP.: -30°C TO +80°C.  
 ELECTRICAL LIFE: 100,000 CYCLES.  
 RATING: 50mA, 12VDC.  
 VIBRATION RESISTANCE: PASSES METHOD 201A MIL-STD-202F  
 SHOCK RESISTANCE: 50G PER METHOD 213B MIL-STD-202F  
 CONTACT RESISTANCE: 100mΩ MAX.  
 INSULATION RESISTANCE: 100MΩ MIN. AT 100VDC.  
 DIELECTRIC STRENGTH: 100VAC/1 MINUTE.  
 CONTACT ARRANGEMENT: 1 POLE 1 THROW.  
 MATERIALS:  
 COVER: STAINLESS STEEL  
 BASE: LCP HIGH-TEMP. THERMOPLASTIC.  
 COLOR, WHITE.  
 STEM: LCP HIGH-TEMP. THERMOPLASTIC.  
 COLOR, BLACK.  
 CONTACT DISK: STAINLESS STEEL  
 WITH SILVER CLADDING  
 TERMINAL: BRASS WITH SILVER PLATING  
 TAPE: TEFLON.  
 TAPE & REEL PACKAGING, 2,000 PER REEL  
 SOLDERING:  
 HAND SOLDERING: 30 WATT IRON AT 320°C FOR 2 SECONDS  
 IR REFLOW: 240°C MAX  
 ROHS COMPLIANT

D.A. INSECTI DESIGNER'S INITIAL DIMENSION		63 Nork Rd. Hopkinton, MA 01835 APDM 508-372-5554		PPN: CJD BR:	
TOLERANCES (UNLESS OTHERWISE SPECIFIED) .XX± = ±0.005 .XXX± = ±0.008 .XXXX± = ±0.008 ANGLE = 40.5°		SHEET 1 OF 1 SIZE B SCALE 15:1 THIRD ANGLE PROJECTION		DATE: 2/4/08 DRAWING NO: AMPPTLGP2VTR REV: B	
TITLE VERTICAL PUSH TACT SWITCH					

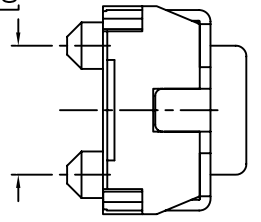
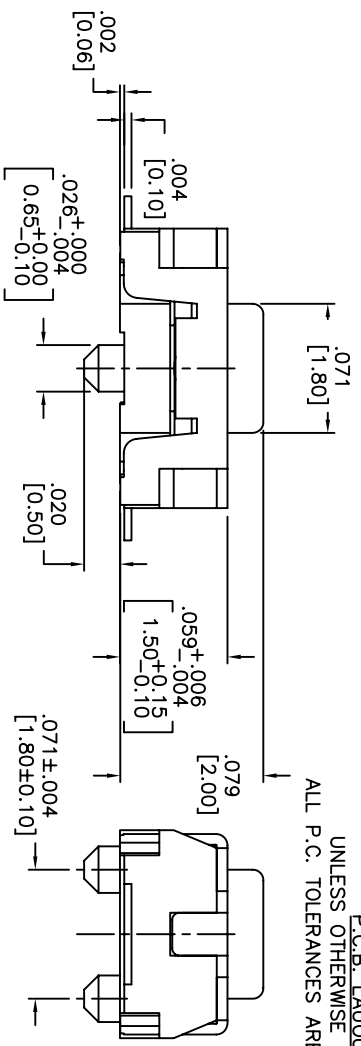
1 2 3 4 5 6 7 8

THIS DOCUMENT IS THE PROPERTY OF APDM COMPONENTS AND SHALL NOT BE COPIED, REPRODUCED, DISCLOSED OR USED AS THE BASIS FOR MANUFACTURING OR SALE WITHOUT PERMISSION OF A DULY AUTHORIZED REPRESENTATIVE OF APDM COMPONENTS INC.

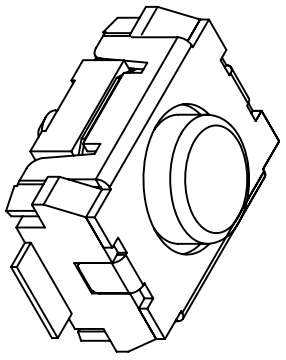


HATCHED AREA SHOWS SOLDERING LAND

P.C.B. LAYOUT  
UNLESS OTHERWISE SPECIFIED  
ALL P.C. TOLERANCES ARE ±.002 [0.50]



CIRCUIT



DATE	SYM	REVISION RECORD	DWN.	CK.
5/08	B	ECO# 778	CD	PD

DESCRIPTION: VERTICAL PUSH MECHANICAL CONTACT SWITCH.

SPECIFICATIONS:

OPERATION FORCE: 160± 50gf  
 OPERATION TEMP.: -25°C TO +70°C.  
 STORAGE TEMP.: -30°C TO +80°C.  
 ELECTRICAL LIFE: 200,000 CYCLES.  
 RATING: 50ma, 12VDC.  
 VIBRATION RESISTANCE: PASSES METHOD 201A  
 MIL-STD-202F  
 SHOCK RESISTANCE: 50G PER METHOD 213B  
 MIL-STD-202F  
 CONTACT RESISTANCE: 100mΩ MAX.  
 INSULATION RESISTANCE: 100MΩ MIN. AT 100VDC.  
 DIELECTRIC STRENGTH: 100VAC/1 MINUTE.  
 CONTACT ARRANGEMENT: 1 POLE 1 THROW.  
 TRAVEL: .005 ±.002 [0.13 ±0.05]

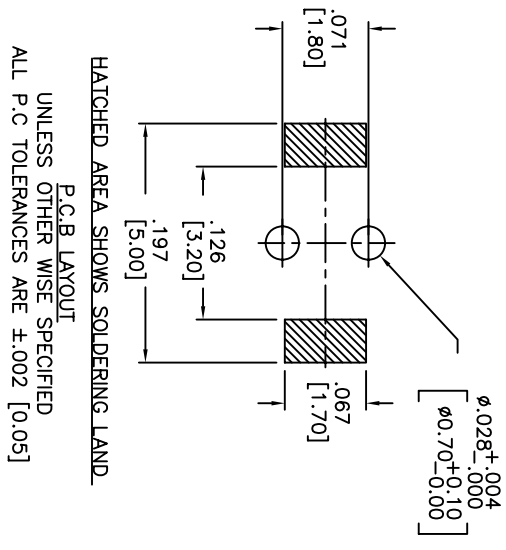
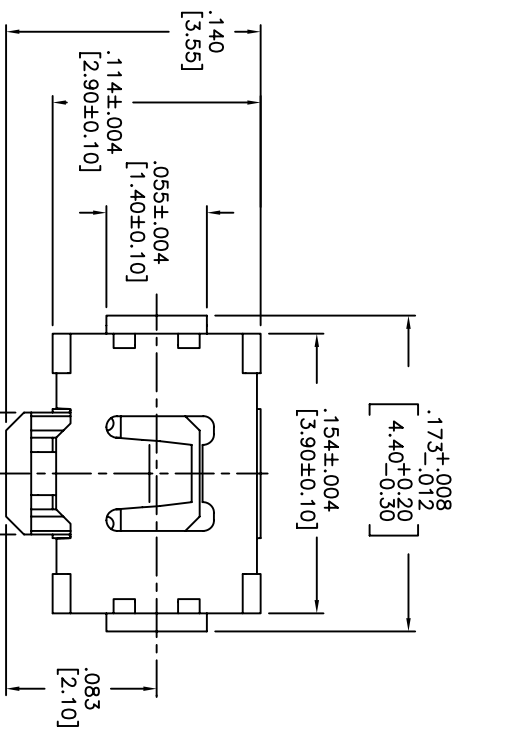
MATERIALS:

COVER: STAINLESS STEEL  
 BASE: LCP HIGH-TEMP. THERMOPLASTIC.  
 COLOR, WHITE.  
 STEM: LCP HIGH-TEMP. THERMOPLASTIC.  
 COLOR, BLACK.  
 CONTACT DISK: STAINLESS STEEL WITH SILVER CLADDING  
 TERMINAL: BRASS WITH SILVER PLATING  
 TAPE: TEFLON.  
 TAPE & REEL PACKAGING: 2,000 PER REEL  
 SOLDERING:  
 HAND SOLDERING: 30 WATT IRON AT 320°C FOR 2 SECONDS  
 IR REFLOW: 240°C MAX  
 ROHS COMPLIANT

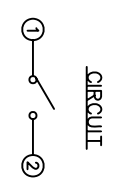
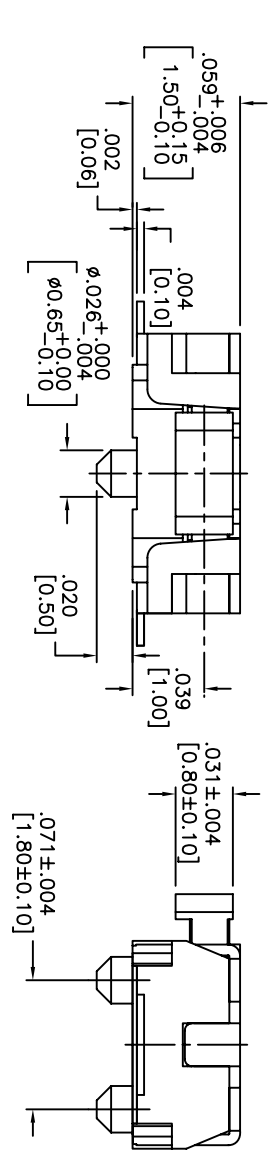
DESIGNER'S INITIAL	63 Neck Rd.	PHN.	CJD
TOLERANCES (UNLESS OTHERWISE SPECIFIED)	APDM COMPONENTS INC.	BR.	PJD
.XX±.XX[0.5]	1100 Hill St.	OK.	
.XXX±.XXX[0.20]	Phoenix, AZ 85003	BR.	
.XXXX±.XXXX[0.02]	Phone: 480-372-3534	OK.	
ANGLE = 30.5°	Fax: 480-372-3534	BR.	
DO NOT SCALE		OK.	
DATE	6/30/05	DRAWING NO.	AMPTCFGP2VTR
		REV	B

TITLE	TACT SWITCH
SHEET	1 OF 1
SIZE	B
SCALE	15:1
THIRD ANGLE PROJECTION	

THIS DOCUMENT IS THE PROPERTY OF APEM COMPONENTS AND SHALL NOT BE COPIED, REPRODUCED, DISCLOSED OR SALE WITHOUT PERMISSION OF A DULY AUTHORIZED REPRESENTATIVE OF APEM COMPONENTS INC.



HATCHED AREA SHOWS SOLDERING LAND  
 P.C.B. LAYOUT  
 UNLESS OTHER WISE SPECIFIED  
 ALL P.C. TOLERANCES ARE ±.002 [0.05]



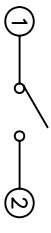
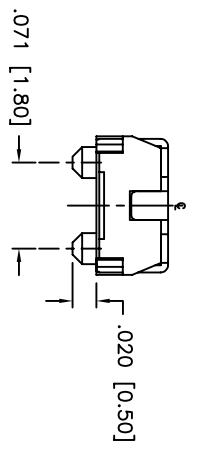
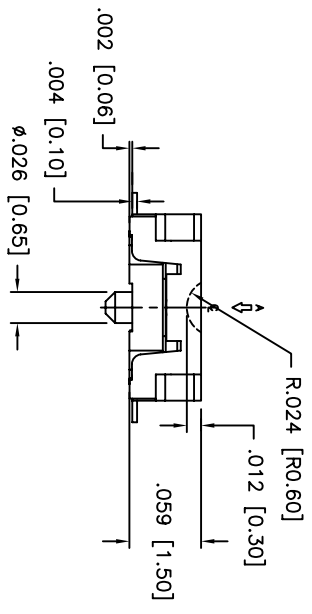
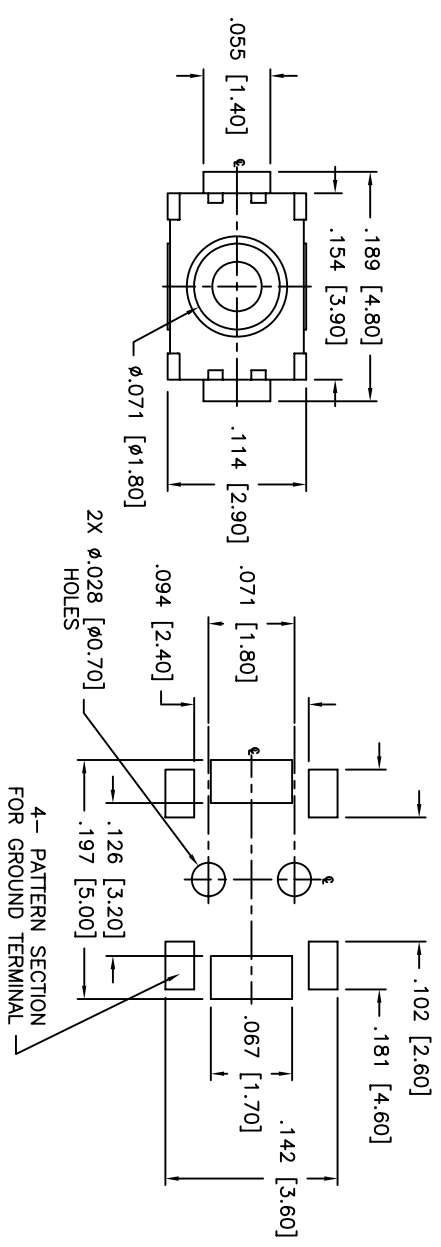
DESCRIPTION: SIDE PUSH MECHANICAL CONTACT SWITCH.  
 SPECIFICATIONS:  
 OPERATION FORCE: 220± 65gf  
 STROKE: 0.2±0.10mm  
 OPERATION TEMP.: -25°C TO +70°C.  
 STORAGE TEMP.: -30°C TO +80°C.  
 ELECTRICAL LIFE: 100,000 CYCLES.  
 RATING: 50mA, 12VDC.  
 CONTACT RESISTANCE: 100mΩ MAX.  
 INSULATION RESISTANCE: 100MΩ MIN. AT 100VDC.  
 DIELECTRIC STRENGTH: 100VAC/1 MINUTE.  
 CONTACT ARRANGEMENT: 1 POLE 1 THROW.  
 VIBRATION TEST: PASSED METHOD 201A  
 MIL-STD-202F.  
 SHOCK TEST: 50G PER METHOD 213B CONDITION A OF MIL-STD-202F  
 MATERIALS:  
 COVER: STAINLESS STEEL  
 BASE: LCP HIGH-TEMP. THERMOPLASTIC.  
 COLOR, WHITE.  
 STEM: LCP HIGH-TEMP. THERMOPLASTIC.  
 COLOR, BLACK.  
 CONTACT DISK: STAINLESS STEEL  
 WITH SILVER CLADDING  
 TERMINAL: BRASS WITH SILVER PLATING  
 PACKAGING: TAPE AND REEL  
 (3,500 PEICES PER REEL)  
 ROHS COMPLIANT  
 LEAD FREE SOLDERING COMPATIBLE  
 HAND SOLDERING: 320°C MAX WITH 30 WATT IRON  
 FOR 2 SECONDS  
 IR REFLOW: 260°C MAX

DATE	SYM	REVISION RECORD	DWN.	CK.
5/08	B	ECO# 778	CD	PD

<b>Q.A. INSPECT</b> 		<b>DESIGNER'S INITIAL</b> DIMENSION		<b>DRN.</b> CJD	
<b>TOLERANCES</b> (UNLESS AS NOTED) .XX±.XX[0.5] .XXX±.XXX[0.20] .XXXX±.XXXX[0.02] ANGLE = 30.5°		 63 Neck Rd. Hawthorne, NJ 07835 Phone: 973-772-5554 Fax: 973-772-5554		<b>BR.</b> PJD <b>CHK.</b> PJD	
<b>TITLE</b> TACT SWITCH		<b>SHEET</b> 1 OF 1		<b>SCALE</b> 15:1	
<b>DATE</b> 5/2/06		<b>DRAWING NO.</b> AMPTCFVTR		<b>REV</b> B	



THIS DOCUMENT IS THE PROPERTY OF APDM COMPONENTS AND SHALL NOT BE COPIED, REPRODUCED, DISCLOSED OR USED AS THE BASIS FOR MANUFACTURING OR SALE WITHOUT PERMISSION OF A DULY AUTHORIZED REPRESENTATIVE OF APDM COMPONENTS INC.



SCHEMATIC

DATE	SYM	REVISION RECORD	DWN.	CK.
1/06	A	ECO # 526	CD	PD
5/08	B	ECO# 778	CD	PD

DESCRIPTION: SPST, NORMALLY OPEN, MOMENTARY, SURFACE MOUNT TACT SWITCH WITH LOCATING PINS

SPECIFICATIONS:  
 CONTACT RATING: 50mA @ 12VDC  
 INITIAL CONTACT RESISTANCE: 100MOHMS MAX.  
 INSULATION RESISTANCE: 100MOHMS MIN. @ 500VDC  
 DIELECTRIC STRENGTH: 100VAC FOR 1 MINUTE  
 ELECTRICAL LIFE: 200,000 CYCLES MIN.  
 OPERATING TEMPERATURE RANGE: -25°C to +70°C  
 STOP STRENGTH: MAX 3kgf VERTICAL STATIC LOAD  
 CONT. FOR 15 SEC.

ACTUATION FORCE: 160± 50gf  
 STORAGE TEMPERATURE RANGE: -30°C TO +80°C  
 SHOCK RESISTANCE: 50G PER METHOD 213B, MIL-STD-202F  
 VIBRATION RESISTANCE: PASSES METHOD 201A, MIL-STD-202F

SOLDERING:  
 IR REFLOW: 240°C MAX.  
 HAND SOLDERING: 350°C MAX. FOR 3 SECONDS MAX.  
 (30 WATT IRON MAX.)

MATERIALS:  
 BASE: LCP HIGH-TEMP THERMOPLASTIC UL94V-0  
 ACTUATOR: LCP HIGH-TEMP THERMOPLASTIC UL94V-0  
 COVER: STAINLESS STEEL  
 TERMINALS: SILVER PLATED BRASS  
 SHORTING CONTACT: STAINLESS STEEL WITH SILVER CLADDING  
 TAPE: TEFLON  
 ROHS COMPLIANT

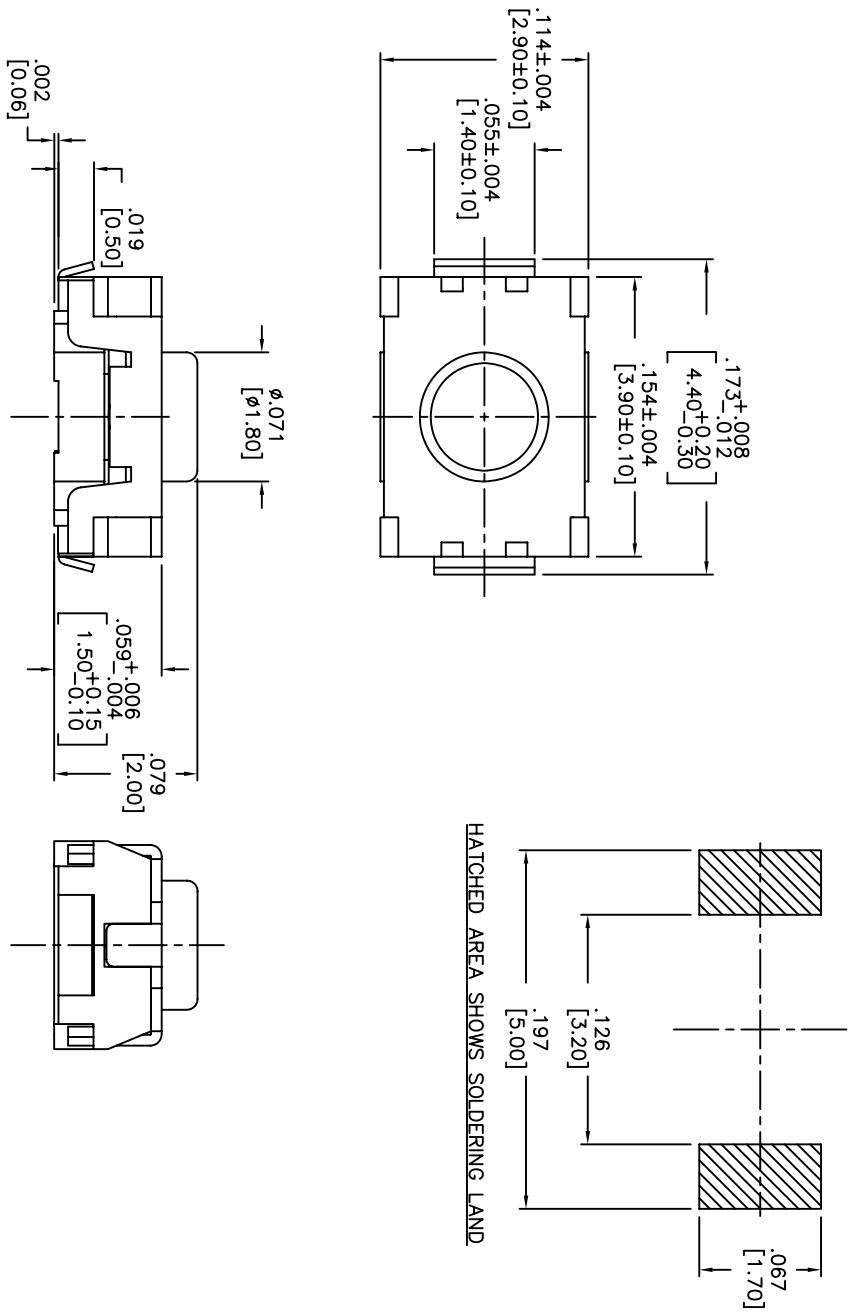
NOTE:  
 1. AFTER SOLDERING, RETURN SWITCHES TO NORMAL TEMPERATURE BEFORE WASHING.

D.A. INSECTI DESIGNER'S INITIAL DIMENSION		63 Neck Rd. Haverhill, MA 01830 Telephone: 978-375-5554 Fax: 978-375-5554		PRN. CJD BR:
TOLERANCES (UNLESS AS NOTED) .XX=±.02[0.5] .XXX=±.008[0.20] .XXXX=±.0008[0.02] ANGLE = 30.5°		SHEET 1 OF 1 SIZE B SCALE 10:1	THIRD ANGLE PROJECTION 	PJD
TITLE TACT SWITCH WITH LOCATING PINS		DRAWING NO. AMPTCFGP1VTR		
DO NOT SCALE DIMENSIONS		DATE 07/20/05	REV B	



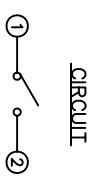
THIS DOCUMENT IS THE PROPERTY OF APDM COMPONENTS AND SHALL NOT BE COPIED, REPRODUCED, DISCLOSED OR USED AS THE BASIS FOR MANUFACTURING OR SALE WITHOUT PERMISSION OF A DULY AUTHORIZED REPRESENTATIVE OF APDM COMPONENTS INC.

P.C.B. LAYOUT



DATE	SYM	REVISION RECORD	DWN.	CK.
1/06	A	ECO# 526	CD	PD
5/08	B	ECO# 778	CD	PD

DESCRIPTION: VERTICAL PUSH MECHANICAL CONTACT SWITCH.  
 SPECIFICATIONS:  
 OPERATION FORCE: 220 ± 65gf  
 OPERATION TEMP.: -25°C TO +70°C.  
 STORAGE TEMP.: -30°C TO +80°C.  
 ELECTRICAL LIFE: 200,000 CYCLES.  
 RATING: 50mA, 12VDC.  
 VIBRATION RESISTANCE: PASSES METHOD 201A  
 MIL-STD-202F  
 SHOCK RESISTANCE: 50G PER METHOD 213B  
 MIL-STD-202F  
 CONTACT RESISTANCE: 100mΩ MAX.  
 INSULATION RESISTANCE: 100MΩ MIN. AT 100VDC.  
 DIELECTRIC STRENGTH: 100VAC/1 MINUTE.  
 CONTACT ARRANGEMENT: 1 POLE 1 THROW.  
 MATERIALS:  
 COVER: STAINLESS STEEL  
 BASE: LCP HIGH-TEMP. THERMOPLASTIC.  
 COLOR, WHITE.  
 STEM: LCP HIGH-TEMP. THERMOPLASTIC.  
 COLOR, BLACK.  
 CONTACT DISK: STAINLESS STEEL WITH SILVER CLADDING  
 TERMINAL: BRASS WITH SILVER PLATING  
 TAPE & REEL PACKAGING, 2,000 PER REEL  
 SOLDERING:  
 HAND SOLDERING: 30 WATT IRON AT 320°C FOR 2 SECONDS  
 IR REFLOW: 240°C MAX  
 ROHS COMPLIANT  
 LEAD FREE PROCESS COMPATIBLE

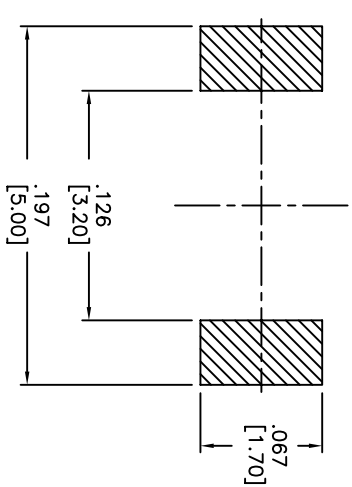
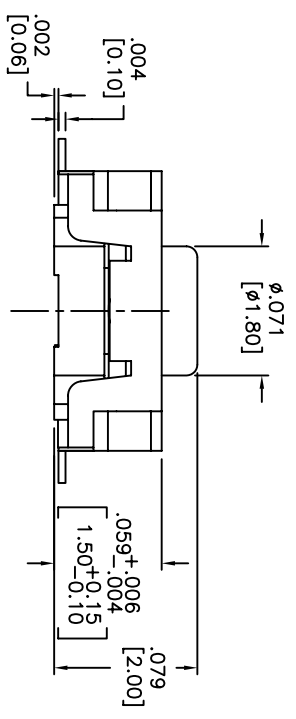
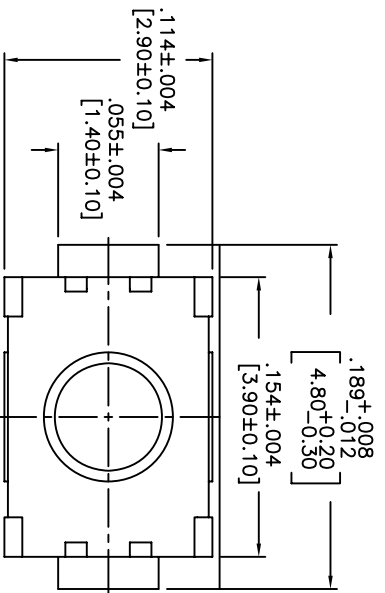


0A. INSPECT:  DESIGNATES CRITICAL DIMENSION		63 Neck Rd. 01835 Holliston, MA Phone: 508-372-5554 Fax: 508-372-5554		DRN. CJD BR. BR. OR. PJD
TOLERANCES (UNLESS OTHERWISE SPECIFIED) .XX = ±.02 [0.5] .XXX = ±.008 [0.20] .XXXX = ±.0008 [0.02] ANGLE = 30.5°		SHEET 1 OF 1 SIZE B SCALE 15:1	THIRD ANGLE PROJECTION 	
TITLE TACT SWITCH		DATE: 01/23/06 DRAWING NO. AMPTLP2VTR REV. B		

1 2 3 4 5 6 7 8

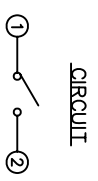
THIS DOCUMENT IS THE PROPERTY OF APDM COMPONENTS AND SHALL NOT BE COPIED, REPRODUCED, DISCLOSED OR SALE WITHOUT PERMISSION OF A DULY AUTHORIZED REPRESENTATIVE OF APDM COMPONENTS INC.

P.C.B. LAYOUT



HATCHED AREA SHOWS SOLDERING LAND

DESCRIPTION: VERTICAL PUSH MECHANICAL CONTACT SWITCH.  
 SPECIFICATIONS:  
 OPERATION FORCE: 160± 50gf  
 OPERATION TEMP.: -25°C TO +70°C.  
 STORAGE TEMP.: -30°C TO +80°C.  
 ELECTRICAL LIFE: 200,000 CYCLES.  
 RATING: 50mA, 12VDC.  
 VIBRATION RESISTANCE: PASSES METHOD 201A  
 MIL-STD-202F  
 SHOCK RESISTANCE: 50G PER METHOD 213B  
 MIL-STD-202F  
 CONTACT RESISTANCE: 100mΩ MAX.  
 INSULATION RESISTANCE: 100MΩ MIN. AT 100VDC.  
 DIELECTRIC STRENGTH: 100VAC/1 MINUTE.  
 CONTACT ARRANGEMENT: 1 POLE 1 THROW.  
 MATERIALS:  
 COVER: STAINLESS STEEL  
 BASE: LCP HIGH-TEMP. THERMOPLASTIC.  
 COLOR, WHITE.  
 STEM: LCP HIGH-TEMP. THERMOPLASTIC.  
 COLOR, BLACK.  
 CONTACT DISK: STAINLESS STEEL WITH SILVER CLADDING  
 TERMINAL: BRASS WITH SILVER PLATING  
 TAPE: TEFLON.  
 TAPE & REEL PACKAGING, 2,000 PER REEL  
 SOLDERING:  
 HAND SOLDERING: 30 WATT IRON AT 320°C FOR 2 SECONDS  
 IR REFLOW: 260°C MAX  
 RoHS COMPLIANT  
 LEAD FREE PROCESS COMPATIBLE



DATE	SYM	REVISION RECORD	DWN.	CK.
5/08	B	ECO# 778	CD	PD

Q.A. INSPECT:		DESIGNATES CRITICAL DIMENSION		63 Neck Rd. Haverhill, MA 01830 Phone: 978-372-5554 Fax: 978-372-5554		DRN. CJD
TOLERANCES (except as noted)		X.XX=±.02[0.5]		.XXX=±.008[0.20]		BR. PJD
ANGLE = 40.5°		DO NOT SCALE		DATE: 01/23/06		DRAWING NO. AMPTFP2VTR
TITLE: TACT SWITCH		SHEET: 1 OF 1		SIZE: B		SCALE: 15:1
THIRD ANGLE PROJECTION				REV: B		

1 2 3 4 5 6 7 8



Компания «ЭлектроПласт» предлагает заключение долгосрочных отношений при поставках импортных электронных компонентов на взаимовыгодных условиях!

Наши преимущества:

- Оперативные поставки широкого спектра электронных компонентов отечественного и импортного производства напрямую от производителей и с крупнейших мировых складов;
- Поставка более 17-ти миллионов наименований электронных компонентов;
- Поставка сложных, дефицитных, либо снятых с производства позиций;
- Оперативные сроки поставки под заказ (от 5 рабочих дней);
- Экспресс доставка в любую точку России;
- Техническая поддержка проекта, помощь в подборе аналогов, поставка прототипов;
- Система менеджмента качества сертифицирована по Международному стандарту ISO 9001;
- Лицензия ФСБ на осуществление работ с использованием сведений, составляющих государственную тайну;
- Поставка специализированных компонентов (Xilinx, Altera, Analog Devices, Intersil, Interpoint, Microsemi, Aeroflex, Peregrine, Syfer, Eurofarad, Texas Instrument, Miteq, Cobham, E2V, MA-COM, Hittite, Mini-Circuits, General Dynamics и др.);

Помимо этого, одним из направлений компании «ЭлектроПласт» является направление «Источники питания». Мы предлагаем Вам помощь Конструкторского отдела:

- Подбор оптимального решения, техническое обоснование при выборе компонента;
- Подбор аналогов;
- Консультации по применению компонента;
- Поставка образцов и прототипов;
- Техническая поддержка проекта;
- Защита от снятия компонента с производства.



#### Как с нами связаться

**Телефон:** 8 (812) 309 58 32 (многоканальный)

**Факс:** 8 (812) 320-02-42

**Электронная почта:** [org@eplast1.ru](mailto:org@eplast1.ru)

**Адрес:** 198099, г. Санкт-Петербург, ул. Калинина, дом 2, корпус 4, литера А.