

## MAX44211

### General Description

The MAX44211 is a low-distortion line driver customized for powerline communication (PLC) applications where high output current is needed to drive the isolation and coupling transformer under varying load conditions. The MAX44211 can be switched to implement all world standards, trading off improved linearity for increased quiescent current. The MAX44211 delivers a high 1.5A linear output current and provides peak-to-peak differential voltage swing of up to 36V. The MAX44211 features very low intermodulation and harmonic distortion ensuring they meet worldwide PLC standards.

The MAX44211 features advanced diagnostics for temperature and output current monitoring. There are high temperature warning and over temperature shutdown functions. There is also a programmable current limit. The status of these diagnostics are indicated via two open-drain status outputs.

The MAX44211 is designed to interface to powerlines that have wide ranging and variable loads and drive signals within the 9kHz to 500kHz frequency band. This device operates from a single supply and is available in a 4mm x 4mm, 20-pin TQFN package.

The MAX44211 device is specified for operation from  $-40^{\circ}\text{C}$  to  $+85^{\circ}\text{C}$ .

### Applications

- Powerline Communications
- Smart Meters
- Lighting
- Solar

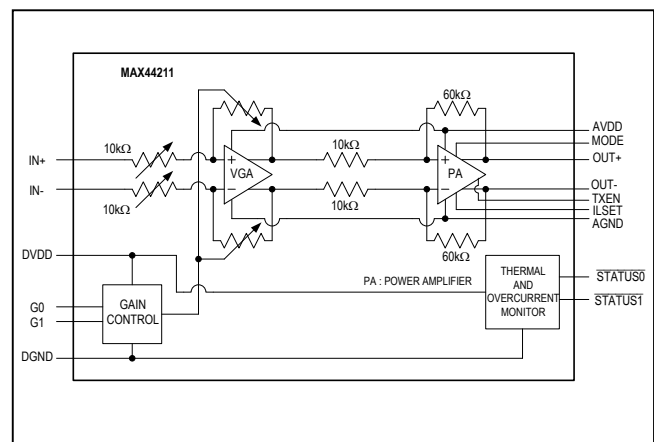
**Ordering Information** appears at end of data sheet.

## High-Current Differential Line Driver for Powerline Communications

### Benefits and Features

- Meets Stringent ARIB, FCC, and CENELEC Linearity Specifications for Out-of-Band Emissions
  - Output Drives Current Linearly Up to 1.5A Peak Into a Reactive Load for PLC Applications
- Output Voltage Swings to Within 0.5V of AVDD or AGND (36V<sub>P-P</sub> Differential) for Widest Dynamic Range
- Wide Power-Supply Range Addresses Multiple Standards:
  - +8V to +20V for Analog Supply
  - +2.7V to +5.5V for Digital Supply
- Programmable Output Current Limit via External Resistor Provides Flexibility
- Programmable Gain (6x, 12x, 15x, or 18x) via Gain Inputs Provides Multistandard Usage
- Status Logic Outputs Provide Improved Diagnostics
  - Overtemperature Shutdown Active
  - High-Temperature Warning Active
  - Overcurrent Active
  - Normal Operation

### Functional Diagram



**Absolute Maximum Ratings**

AVDD to AGND .....-0.3V to +22V  
 DVDD to DGND.....-0.3V to +6V  
 DGND to AGND.....-0.3V to +0.3V  
 IN+, IN-, OUT+, OUT- to AGND ..... -0.3V to (V<sub>AVDD</sub> + 0.3V)  
 STATUS1, STATUS0, G1, G0,  
 TXEN, MODE, ILSET to DGND .....-0.3V to (V<sub>DVDD</sub> + 0.3V)  
 Continuous Current into All Pins .....±20mA

Continuous Power Dissipation (T<sub>A</sub> = +70°C)  
 TQFN (Four-Layer Board)  
 (derate 33.3mW/°C above +70°C) .....2666.7mW  
 TQFN (Single Layer)  
 (derate 20.8mW/°C above +70°C) ..... 1666.7mW  
 Operating Temperature Range..... -40°C to +85°C  
 Junction Temperature..... +150°C  
 Storage Temperature Range .....-65°C to +150°C  
 Lead Temperature (soldering, 10s) ..... +300°C  
 Soldering Temperature (reflow) ..... +260°C

**Package Thermal Characteristics (Note 1)**

TQFN Multilayer Board  
 Junction-to-Ambient Thermal Resistance (θ<sub>JA</sub>) .....33°C/W  
 Junction-to-Case Thermal Resistance (θ<sub>JC</sub>).....2°C/W

TQFN Single-Layer Board  
 Junction-to-Ambient Thermal Resistance (θ<sub>JA</sub>) .....48°C/W  
 Junction-to-Case Thermal Resistance (θ<sub>JC</sub>).....2°C/W

**Note 1:** Package thermal resistances were obtained using the method described in JEDEC specification JESD51-7, using a four-layer board. For detailed information on package thermal considerations, refer to [www.maximintegrated.com/thermal-tutorial](http://www.maximintegrated.com/thermal-tutorial).

*Stresses beyond those listed under "Absolute Maximum Ratings" may cause permanent damage to the device. These are stress ratings only, and functional operation of the device at these or any other conditions beyond those indicated in the operational sections of the specifications is not implied. Exposure to absolute maximum rating conditions for extended periods may affect device reliability.*

**Electrical Characteristics**

(V<sub>DVDD</sub> = 3V, V<sub>AVDD</sub> = 12V or 18V, V<sub>AGND</sub> = V<sub>DGND</sub> = 0V, V<sub>IN+</sub> = V<sub>IN-</sub> = V<sub>AVDD</sub>/2, G0 = V<sub>DVDD</sub>, G1 = V<sub>DVDD</sub>, TXEN = V<sub>DVDD</sub>, MODE = V<sub>DVDD</sub>, R<sub>SET</sub> = 29kΩ, R<sub>LOAD</sub> = 50Ω differential from OUT+ to OUT-, T<sub>A</sub> = -40°C to +85°C, unless otherwise noted. Typical values are at T<sub>A</sub> = +25°C.) (Note 2)

PARAMETER	SYMBOL	CONDITIONS		MIN	TYP	MAX	UNITS
<b>POWER SUPPLY</b>							
Analog Supply Voltage Range	V <sub>AVDD</sub>			8		20	V
Digital Supply Voltage Range	V <sub>DVDD</sub>			2.7		5.5	V
Quiescent Current	I <sub>AVDD</sub>	V <sub>AVDD</sub> = 12V	MODE Low, TXEN High	T <sub>A</sub> = +25°C	22	28	mA
					30		
			MODE Low, TXEN Low	T <sub>A</sub> = +25°C	1.9	3	
					3.5		
				41	50		
		MODE High, TXEN High	T <sub>A</sub> = +25°C	2	3		
				3.5			
				22	28		
V <sub>AVDD</sub> = 18V	MODE Low, TXEN High	T <sub>A</sub> = +25°C	22	28			
			30				
	MODE Low, TXEN Low	T <sub>A</sub> = +25°C	2.1	3.0			
			3.5				
		43	50				
MODE High, TXEN High	T <sub>A</sub> = +25°C	2.3	3.0				
		3.5					

## Electrical Characteristics (continued)

( $V_{DVDD} = 3V$ ,  $V_{AVDD} = 12V$  or  $18V$ ,  $V_{AGND} = V_{DGND} = 0V$ ,  $V_{IN+} = V_{IN-} = V_{AVDD}/2$ ,  $G0 = V_{DVDD}$ ,  $G1 = V_{DVDD}$ ,  $TXEN = V_{DVDD}$ ,  $MODE = V_{DVDD}$ ,  $R_{SET} = 29k\Omega$ ,  $R_{LOAD} = 50\Omega$  differential from  $OUT+$  to  $OUT-$ ,  $T_A = -40^\circ C$  to  $+85^\circ C$ , unless otherwise noted. Typical values are at  $T_A = +25^\circ C$ .) (Note 2)

PARAMETER	SYMBOL	CONDITIONS	MIN	TYP	MAX	UNITS	
Quiescent Current DVDD	$I_{DVDD}$		$T_A = +25^\circ C$		28	130	$\mu A$
						170	
Enable Time	$t_{ENABLE}$	From TXEN transition, low to high		2.4		$\mu s$	
Disable Time	$t_{DIS}$	From TXEN transition, high to low		60		$\mu s$	
<b>INPUT</b>							
Input Common-Mode Voltage		External AC coupled, internal bias level		$V_{AVDD}/2$		V	
Input Resistance	$R_{IN}$	$G1 = 0, G0 = 0, \text{Gain} = 6V/V$		20		k $\Omega$	
		$G1 = 0, G0 = 1, \text{Gain} = 12V/V$		13.3			
		$G1 = 1, G0 = 0, \text{Gain} = 15V/V$		11.4			
		$G1 = 1, G0 = 1, \text{Gain} = 18V/V$		10			
Input Capacitance	$C_{IN}$			1		pF	
<b>GAIN AND FREQUENCY RESPONSE</b>							
Gain Accuracy			-2		+2	%	
Gain Error Drift				$\pm 20$		ppm/ $^\circ C$	
Output Slew Rate	SR	10V output step		80		V/ $\mu s$	
Full-Power Bandwidth	$BW_{FP}$	$V_{OUTDIFF} = 120dB\mu V, \text{Gain} = 18$		3.9		MHz	
		$V_{OUTDIFF} = 120dB\mu V, \text{Gain} = 6V/V$		8.5			
AC PSRR		$f = 50kHz, V_{AVDD}/(OUT+ - OUT-)$		20		dB	
<b>LINEARITY</b>							
In-Band/Out-of-Band Intermodulation Products (MODE Low)		$f_{IN1} = 50kHz, f_{IN2} = 55kHz,$ $V_{LOAD} = 125.6dB\mu VRMS$ (Note 4)		51		dB $\mu V$	
In-Band/Out-of-Band Intermodulation Products (MODE High)		$f_{IN1} = 200kHz, f_{IN2} = 250kHz,$ $V_{LOAD} = 125.6dB\mu VRMS,$ $R_{LOADDIFF} = 50\Omega$		51		dB $\mu V$	
<b>OUTPUT</b>							
Output Voltage High		Output saturated	$I_{SOURCE} = 1.5A$		$V_{AVDD} - 1.8$	V	
			$I_{SOURCE} = 300mA$		$V_{AVDD} - 0.5$		
Output Voltage Low		Output saturated	$I_{SINK} = 1.5A$		+1.8	V	
			$I_{SINK} = 300mA$		+0.5		
Drive Capability		$V_{AVDD} = 12V, R_{LOAD} = 2\Omega$ differential		125.6		dB $\mu VRMS$	

## Electrical Characteristics (continued)

( $V_{DVDD} = 3V$ ,  $V_{AVDD} = 12V$  or  $18V$ ,  $V_{AGND} = V_{DGND} = 0V$ ,  $V_{IN+} = V_{IN-} = V_{AVDD}/2$ ,  $G0 = V_{DVDD}$ ,  $G1 = V_{DVDD}$ ,  $TXEN = V_{DVDD}$ ,  $MODE = V_{DVDD}$ ,  $R_{SET} = 29k\Omega$ ,  $R_{LOAD} = 50\Omega$  differential from  $OUT+$  to  $OUT-$ ,  $T_A = -40^\circ C$  to  $+85^\circ C$ , unless otherwise noted. Typical values are at  $T_A = +25^\circ C$ .) (Note 2)

PARAMETER	SYMBOL	CONDITIONS		MIN	TYP	MAX	UNITS
Output Impedance	$Z_O$	Single ended	$TXEN = 1$ , $f_C = 100kHz$		500		m $\Omega$
			$TXEN = 0$		35		k $\Omega$
Gain		$G1 = 0$ , $G0 = 0$			6		V/V
		$G1 = 0$ , $G0 = 1$			12		
		$G1 = 1$ , $G0 = 0$			15		
		$G1 = 1$ , $G0 = 1$			18		
Input Noise-Voltage Density	$e_n$	$f = 100kHz$ , $G1 = 0$ , $G0 = 0$ , differential output			120		nV/ $\sqrt{Hz}$
<b>PROTECTION</b>							
Overtemperature Shutdown Threshold	$T_{OVTS}$				+160		$^\circ C$
Overtemperature Shutdown Threshold Hysteresis					15		$^\circ C$
Overtemperature Warning Threshold	$T_{OVTW}$				+150		$^\circ C$
Output Current Limit	$I_{LIM}$	$R_{RSET} = 29k\Omega$			2		A
<b>DIGITAL INPUT CHARACTERISTICS (G1, G0, TXEN, MODE)</b>							
Input Voltage Range				0		$V_{DVDD}$	V
Input Voltage High	$V_{IH}$			$0.7 \times V_{DVDD}$			V
Input Voltage Low	$V_{IL}$				$0.3 \times V_{DVDD}$		V
Input Capacitance	$C_{IN}$				10		pF
Input Hysteresis Voltage	$V_{HYS}$				0.15		V
<b>DIGITAL OUTPUT CHARACTERISTICS (STATUS1, STATUS0)</b>							
Output Voltage Low (Active)	$V_{ST}$	$I_{SINK} = 3mA$				0.4	V
Output Leakage (Inactive)	$I_{STZ}$				$\pm 0.1$	$\pm 1$	$\mu A$
Output Capacitance (Inactive)	$C_{STZ}$				10		pF

**Note 2:** Min/max values are 100% production tested at  $T_A = +25^\circ C$ . Specifications over temperature are guaranteed by design.

**Note 3:** Linearity specification limits are quasi-peak.

**Note 4:** The device is loaded with the network shown in Figure 3 and Figure 4.

**Note 5:** The device is driven with a typical CENELEC OFDM signal.

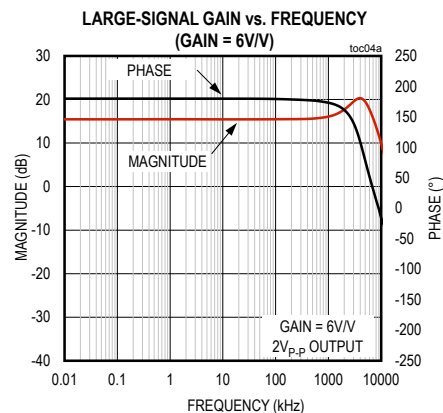
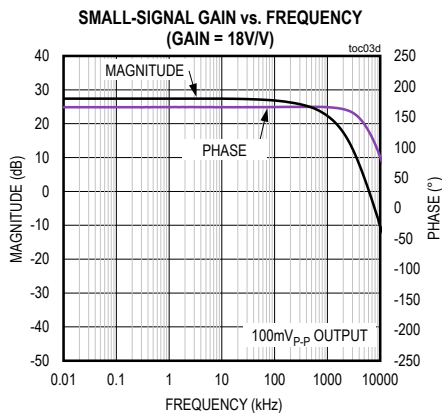
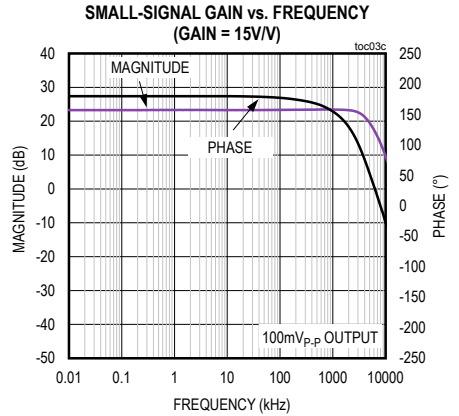
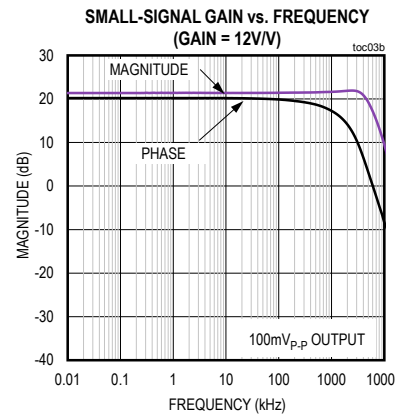
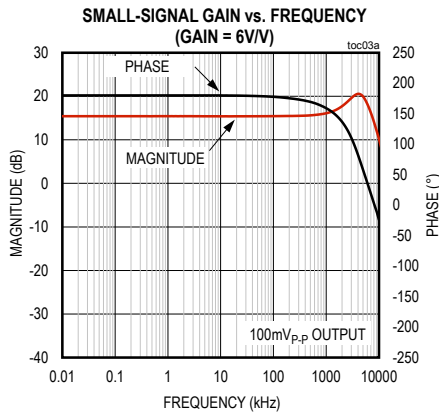
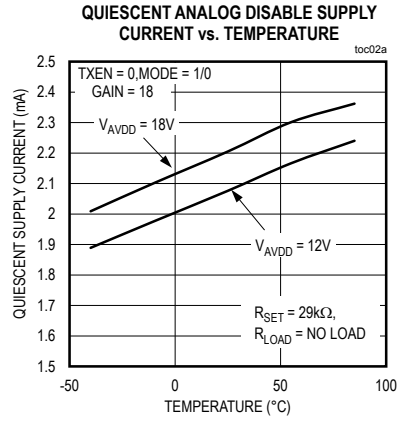
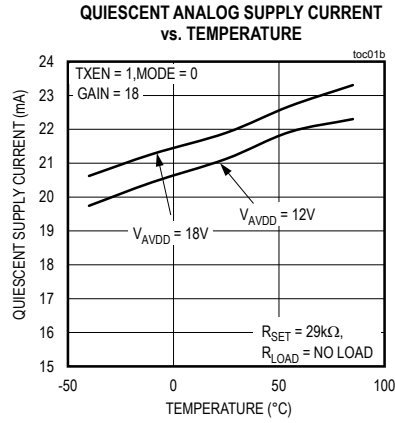
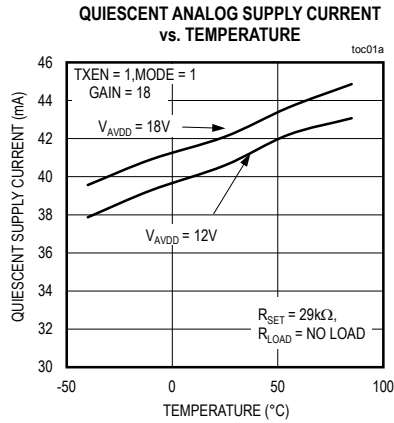
**Note 6:** The device is driven with a typical ARIB OFDM signal. It is loaded with the network shown in Figure 5. Signals are measured at the measurement port but calculated as signals over the entire resistive load.

**Note 7:** External DC blocking capacitors are required.

**Note 8:** Measured with 200Hz bandwidth up to 150kHz and 9kHz bandwidth above 150kHz as specified in EN50065-1:2011.

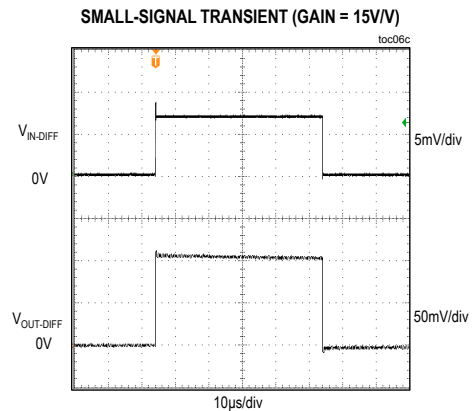
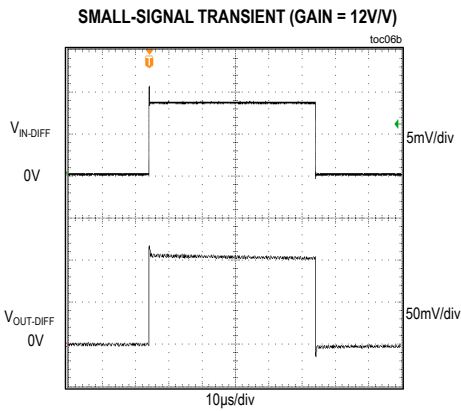
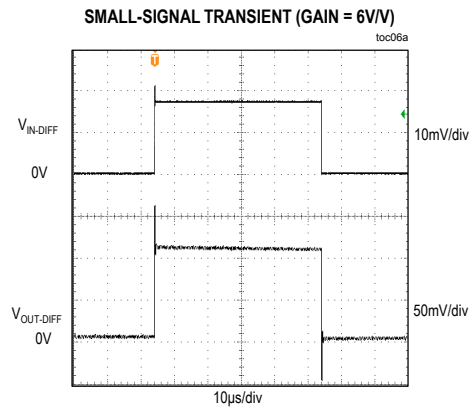
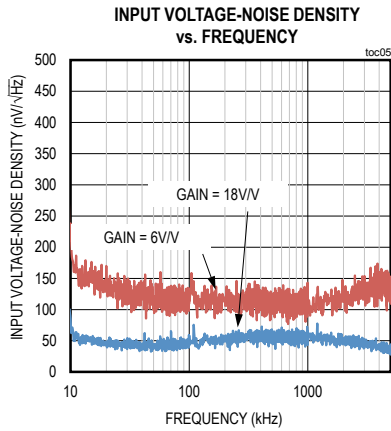
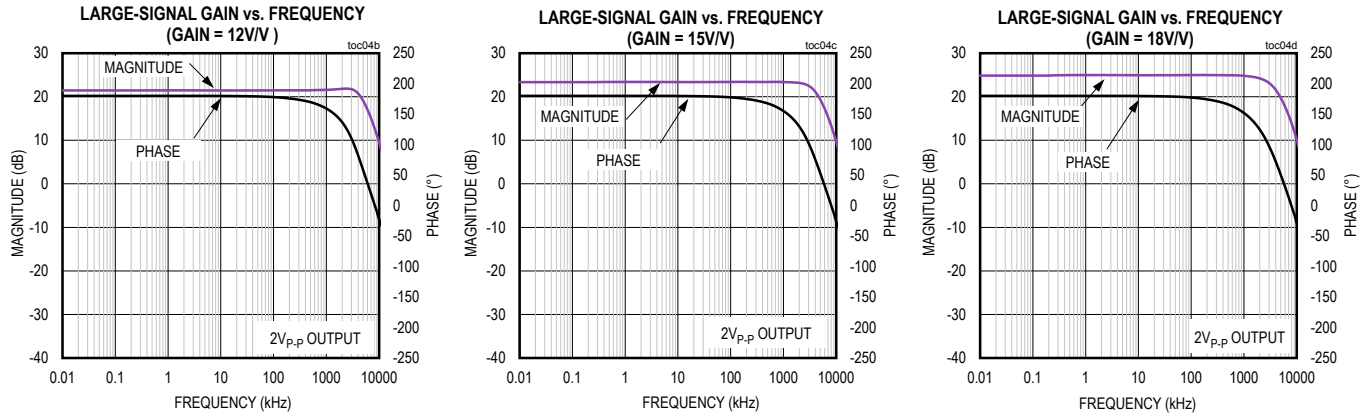
Typical Operating Characteristics

( $V_{DVDD} = 3V$ ,  $V_{AVDD} = 12V$  or  $18V$ ,  $V_{AGND} = V_{DGND} = 0V$ ,  $IN+ = IN- = V_{AVDD}/2$ ,  $G0 = V_{DVDD}$ ,  $G1 = V_{DVDD}$ ,  $TXEN = V_{DVDD}$ ,  $MODE = V_{DVDD}$ ,  $R_{SET} = 29k\Omega$ ,  $R_{LOAD} = 50\Omega$  differential from  $OUT+$  to  $OUT-$ ,  $T_A = +25^\circ C$ , unless otherwise noted. Typical values are at  $T_A = +25^\circ C$ .)



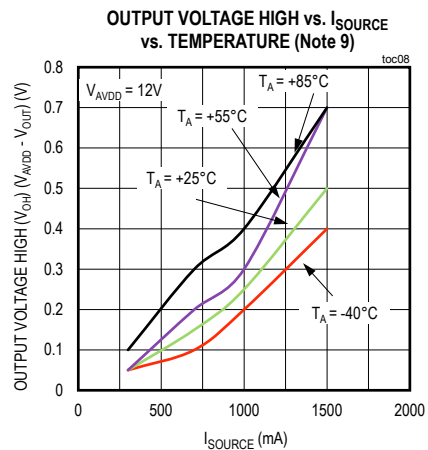
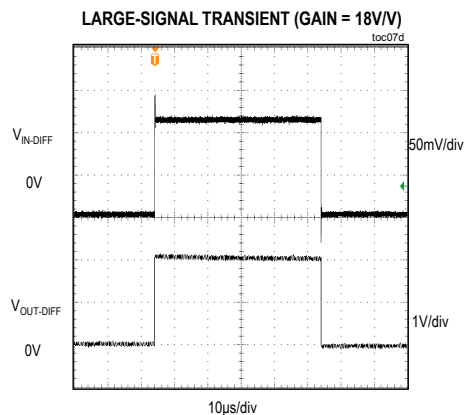
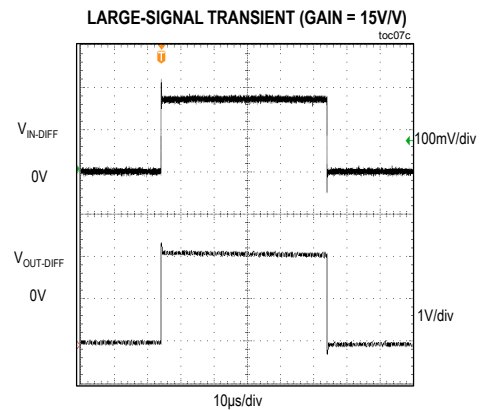
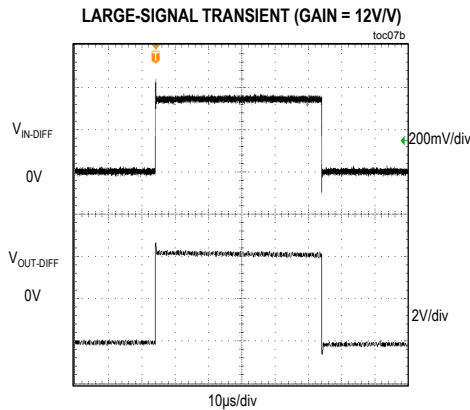
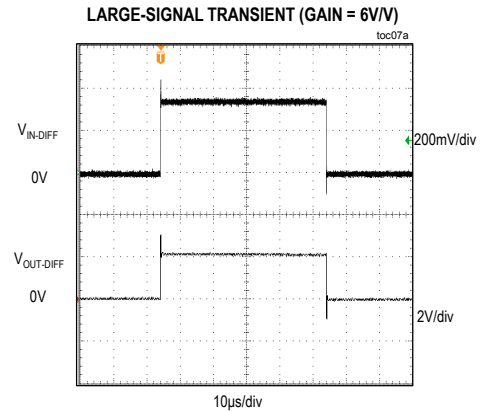
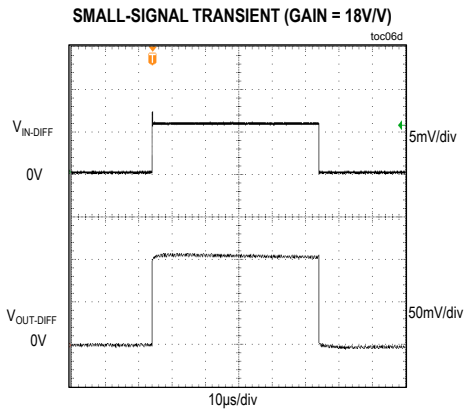
Typical Operating Characteristics (continued)

( $V_{DVDD} = 3V$ ,  $V_{AVDD} = 12V$  or  $18V$ ,  $V_{AGND} = V_{DGND} = 0V$ ,  $IN+ = IN- = V_{AVDD}/2$ ,  $G0 = V_{DVDD}$ ,  $G1 = V_{DVDD}$ ,  $T_{XEN} = V_{DVDD}$ ,  $MODE = V_{DVDD}$ ,  $R_{SET} = 29k\Omega$ ,  $R_{LOAD} = 50\Omega$  differential from  $OUT+$  to  $OUT-$ ,  $T_A = +25^\circ C$ , unless otherwise noted. Typical values are at  $T_A = +25^\circ C$ .)



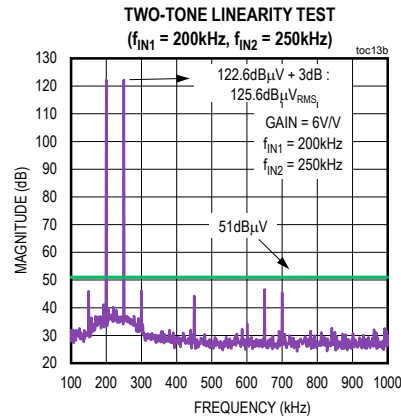
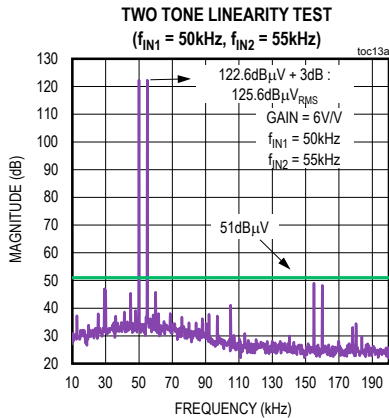
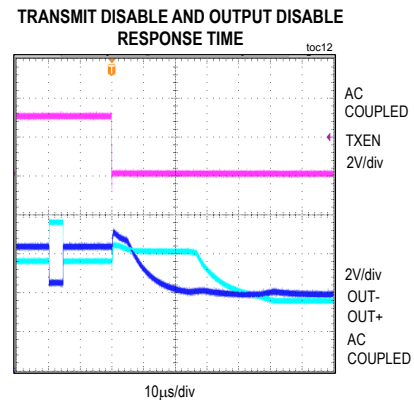
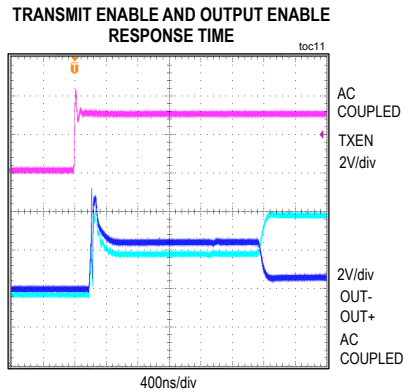
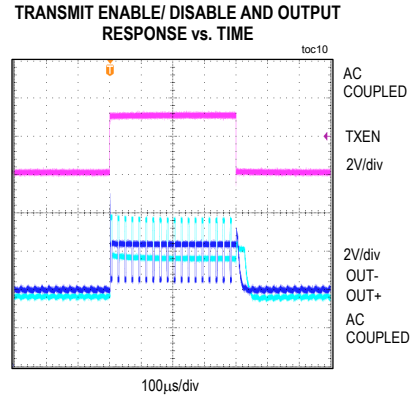
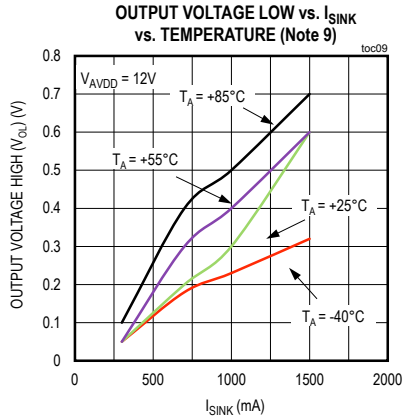
Typical Operating Characteristics (continued)

( $V_{DVDD} = 3V$ ,  $V_{AVDD} = 12V$  or  $18V$ ,  $V_{AGND} = V_{DGND} = 0V$ ,  $IN+ = IN- = V_{AVDD}/2$ ,  $G0 = V_{DVDD}$ ,  $G1 = V_{DVDD}$ ,  $T_{XEN} = V_{DVDD}$ ,  $MODE = V_{DVDD}$ ,  $R_{SET} = 29k\Omega$ ,  $R_{LOAD} = 50\Omega$  differential from  $OUT+$  to  $OUT-$ ,  $T_A = +25^\circ C$ , unless otherwise noted. Typical values are at  $T_A = +25^\circ C$ .)



Typical Operating Characteristics (continued)

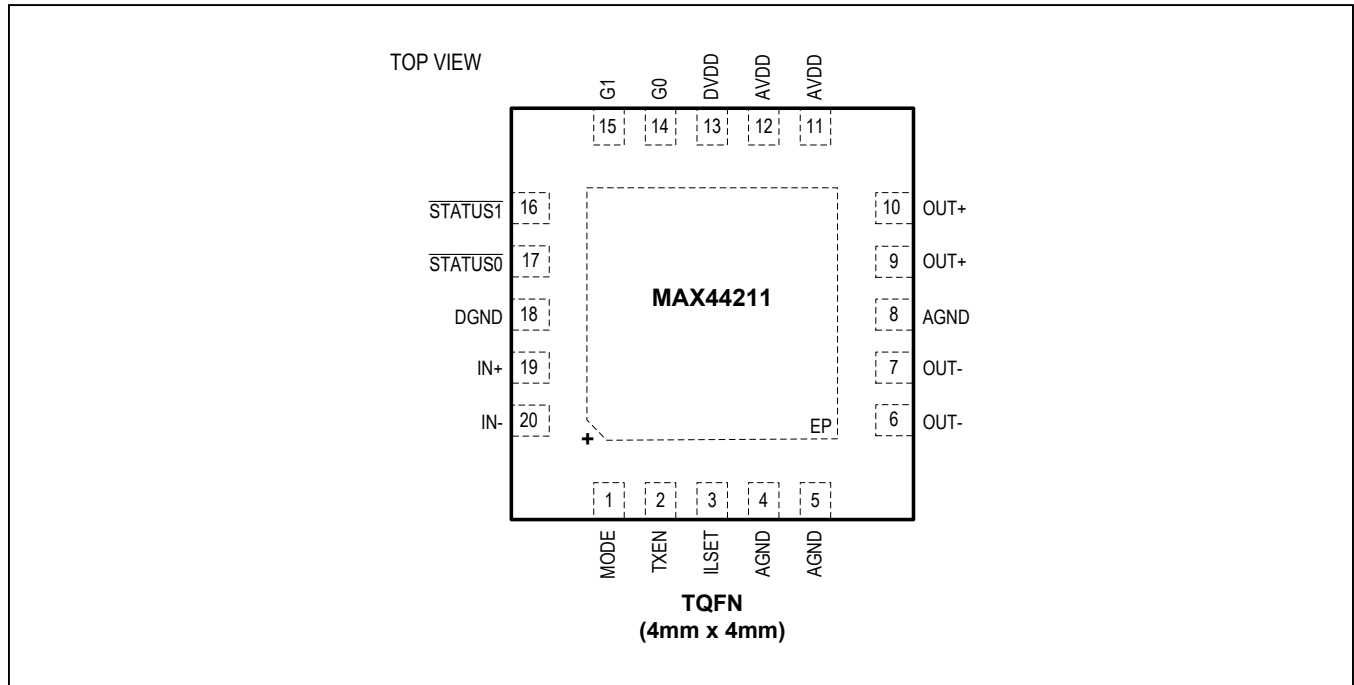
( $V_{DVDD} = 3V$ ,  $V_{AVDD} = 12V$  or  $18V$ ,  $V_{AGND} = V_{DGND} = 0V$ ,  $IN+ = IN- = V_{AVDD}/2$ ,  $G0 = V_{DVDD}$ ,  $G1 = V_{DVDD}$ ,  $T_{XEN} = V_{DVDD}$ ,  $MODE = V_{DVDD}$ ,  $R_{SET} = 29k\Omega$ ,  $R_{LOAD} = 50\Omega$  differential from  $OUT+$  to  $OUT-$ ,  $T_A = +25^\circ C$ , unless otherwise noted. Typical values are at  $T_A = +25^\circ C$ .)



**Note 9:** Output voltage high and output voltage low tests were performed by providing an AC input pulse with 1% duty cycle to saturate the outputs and obtain the results.



Pin Configuration



Pin Description

PIN	NAME	FUNCTION
1	MODE	MODE Input. Leave MODE input unconnected to select low quiescent current mode to support CENELEC applications. Pull MODE input high to select higher quiescent current mode to support FCC and ARIB applications. See the <i>Bias Selection</i> section for more details.
2	TXEN	Transmit Enable. Pull TXEN high to enable the amplifier outputs. Tie TXEN to DGND to disable the amplifier outputs. See the <i>Output Enable</i> section.
3	ILSET	Current-Limit Setting Input. Connect a resistor between ILSET and AGND to set the current limit for the outputs. See the <i>Protection and Diagnostics</i> section.
4, 5, 8	AGND	Analog Ground
6, 7	OUT-	Negative Signal Output
9, 10	OUT+	Positive Signal Output
11, 12	AVDD	Amplifier Analog Power Supply. Bias AVDD to AGND between 8V to 20V.
13	DVDD	Digital Power Supply. Bias DVDD to DGND between 2.7V to 5.5V.
14	G0	Variable Gain Amplifier Gain Select Input 0. See Table 1 for details.
15	G1	Variable Gain Amplifier Gain Select Input 1. See Table 1 for details.

## Pin Description (continued)

PIN	NAME	FUNCTION
16	$\overline{\text{STATUS1}}$	Open-Drain Active-Low Status Output1. See Table 2 for details.
17	$\overline{\text{STATUS0}}$	Open-Drain Active-Low Status Output0. See Table 2 for details.
18	DGND	Digital Ground
19	IN+	Positive Signal Input
20	IN-	Negative Signal Input
—	EP	Exposed Pad. Internally connected to AGND. Connect the EP to a copper plane to enhance thermal dissipation.

## Detailed Description

A common technique used to couple OFDM signals to the AC powerline is through a signal transformer. A line driver is needed to provide adequate levels of current and voltage to drive the varying loads that exist on today's powerlines.

The MAX44211 line driver is efficient low-distortion power amplifiers that drive high current to the low-impedance loads common in powerline communication (PLC) applications. The output stage is designed to linearly drive up to 1.5A peak current and a differential voltage of up to 36V<sub>P-P</sub>. They feature very intermodulation distortion to meet the demanding requirements of today's standards.

The MAX44211 also features two open-drain diagnostic outputs,  $\overline{\text{STATUS1}}$  and  $\overline{\text{STATUS0}}$ . These act as flags to indicate the status of the part. Another significant feature of the MAX44211 is its thermal monitoring and shutdown capability. This allows the device to alert the host microcontroller of high temperature situations and then to automatically shut down to prevent damage should the temperature rise further.

### Output Enable

Enable the MAX44211 output by pulling TXEN high. The amplifier outputs are fully enabled 2.4μs (typ) after TXEN is pulled high. If a signal is applied to the IN+ and IN- inputs during the startup time, it may be distorted and the linearity specifications may not be met.

### Bias MODE Selection

The MAX44211 linearity can be improved at the expense of quiescent current. To meet CENELEC linearity requirements and save power, the MODE input is left unconnected. To improve linearity and meet ARIB or FCC requirements, the MODE input is pulled high.

## Gain Selection and Output Connection

Set the MAX44211 overall gain using the G1 and G0 inputs (Table 1). The outputs, OUT+ and OUT- are internally biased at  $V_{AVDD}/2$  to allow for maximum voltage swing. Therefore, the output should be A.C. coupled to the coupling transformer to avoid DC currents flowing in the transformer. In addition, the secondary side of the transformer should also be AC-coupled to avoid shorting the line input.

## Protection and Diagnostics

The MAX44211 has two diagnostic status outputs:  $\overline{\text{STATUS0}}$  and  $\overline{\text{STATUS1}}$ . These are open drain outputs that indicate the status of the device as shown in Table 2.

Both of the MAX44211 outputs are current limited. Set the output current limit according to the following equation.

$$I_{LIM} = \frac{60}{R_{SET} + 1}$$

While  $R_{SET}$  is in kΩ and  $I_{LIM}$  is in ampere (see *Typical Operating Circuit*).

Do not use  $R_{SET}$  values below 23kΩ or above 250kΩ. Note that the tolerance for the current limit is ±30% so care must be taken to ensure that the limit is set high enough to avoid clipping at peak loads. In addition, if the current limit is set too high, the device may enter thermal shutdown mode.

**Table 1. Voltage Gain Selection**

G1	G0	GAIN (V/V)
0	0	6
0	1	12
1	0	15
1	1	18

If the device tries to drive current in excess of the programmable, threshold, it will limit at the threshold level. This will be indicated by the  $\overline{\text{STATUS1}}$  and  $\overline{\text{STATUS0}}$  outputs as shown in Table 2. External protection for the line driver is required. Schottky diodes like B320A or B350A protect the outputs from the back EMF generated by the coupler/isolator connected to the AC mains. TVS diodes on the primary and the secondary side of the coupler help suppress the high-voltage transient spikes from the AC mains to the MAX44211 outputs.

**Table 2. Diagnostic Status Line Definitions**

$\overline{\text{STATUS1}}$	$\overline{\text{STATUS0}}$	DEVICE STATUS
0	0	Overtemperature Shutdown Active
0	1	High Temperature Warning Active
1	0	Overcurrent Active
1	1	Normal Operation

**Temperature Protection**

A typical PLC signal is shown in Figure 1 continuously driving a 2Ω load. During this condition, the internal die temperature of the MAX44211 will eventually go beyond 160°C and the part enters into shutdown due to overheating. Once the part shuts down, the internal die temperature cools down enough to reach the 15°C hysteresis within milliseconds and the part then comes out of shutdown. If the load remains 2Ω, similar conditions are seen and the process becomes cyclic. This internal temperature protection circuit regulates the temperature thereby avoiding a thermal breakdown of the MAX44211.

As shown in Figure 1, the input channel ((IN+) - (IN-)) depicts a typical PLC packet signal transmitted every 75ms. In the middle of the third packet transmission at about 175ms when driving a 125dBμV signal into a 2Ω load, the MAX44211 enters overtemperature shutdown for about 35ms. STAT0 and STAT1 go low and the outputs are disabled. After the internal die cools down by 15°C, the part turns on driving 125dBμV into 2Ω load enters into overtemperature warning immediately (STAT1: LOW and STAT0 : HIGH).

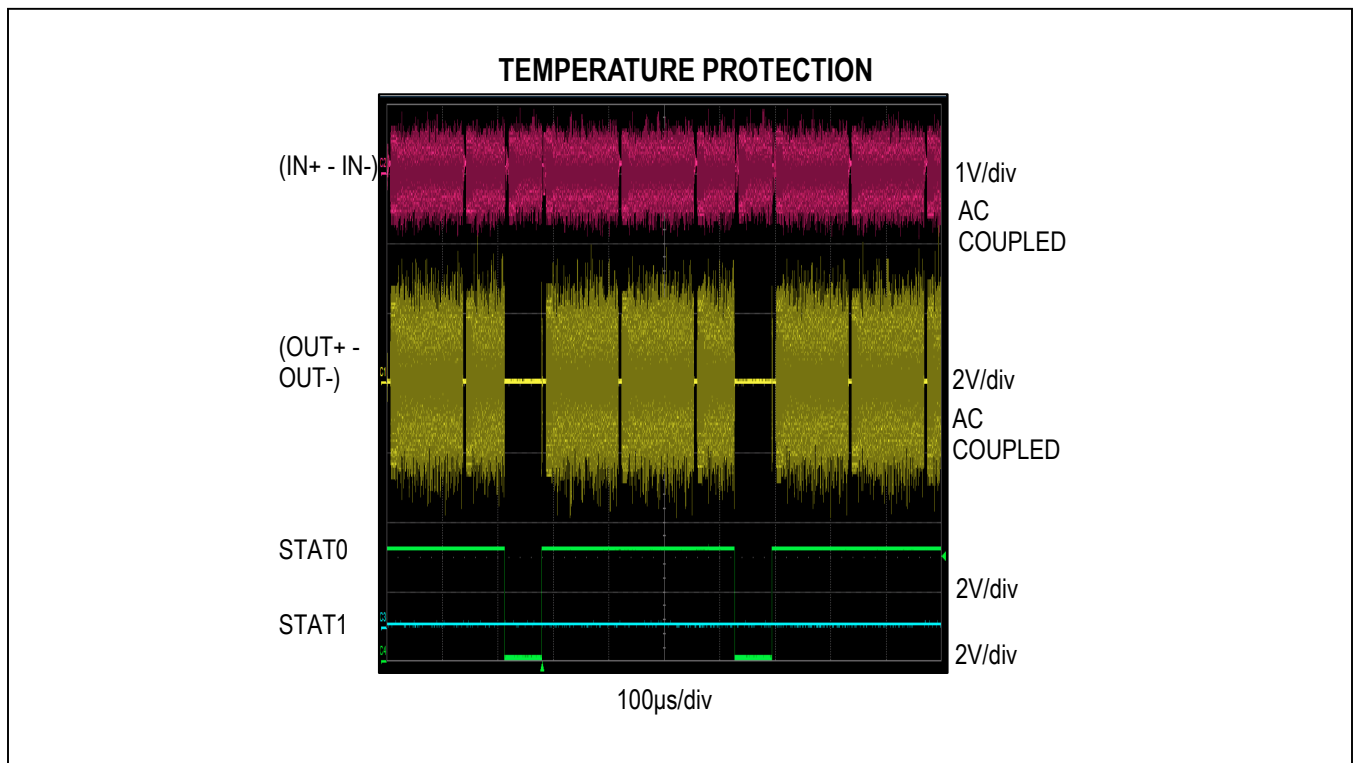


Figure 1. Temperature Protection

### Thermal Design

In PLC applications, the driver is required to drive high currents into potentially low-impedance AC lines. These conditions cause instantaneous power dissipation of several watts, resulting in heating of the driver. Thermal heat flow can be modeled in a similar way to current flow in an electrical circuit. See [Figure 2](#).

Heat flows from the die through a thermal resistance,  $R_{JC}$ , to the case and through  $R_{CA}$  to the ambient outside world. These two thermal resistances are lumped together and specified as  $R_{JA}$ . In addition to these thermal resistances, there are thermal capacitances. Therefore, the die will take a certain time to heat since the thermal capacitances need to be “charged.” The die temperature is calculated using the following equation:

$$T_J = T_A + (R_{\theta JA} \times P_D)$$

If the device were to be mounted on a four-layer board with a large copper area and dissipate 3.5W at an ambient temperature of 85°C, the steady-state die temperature would be 200.5°C. This would obviously cause a problem. However, in the PLC application, the device is only required to be in transmit mode infrequently and for a small time. Therefore, since the thermal flow model is analogous to an electrical lowpass filter, the die temperature does not rise significantly.

It is recommended that the device be mounted on a four-layer board where the exposed heat paddle is soldered to the board. Further, it is recommended that as many via holes as possible are positioned in the pad to allow heat to be conducted through the PCB to a large heatsink area on the reverse side of the board.

If, however, the devices do overheat through some system fault, they have a diagnostic monitor to avoid damage. The device has two temperature thresholds: Warning (150°C) and Shutdown (160°C). If the warning threshold is crossed, the device will indicate this by pulling the `STATUS1` output low while keeping `STATUS0` output

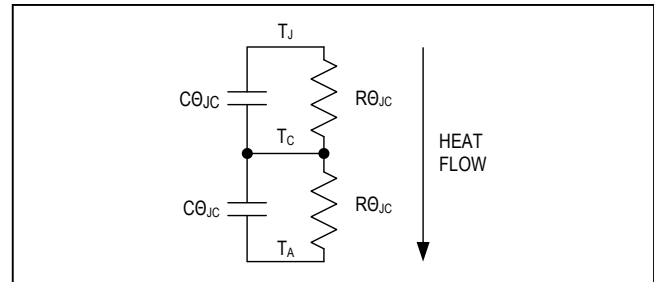


Figure 2. Thermal Flow Model

high. If the device heats further and crosses the shutdown threshold, both `STATUS_` outputs assert low and the device will automatically shut down and remain in that condition until it cools below 145°C (shutdown threshold–shutdown hysteresis). When in thermal shutdown mode, both power amplifier outputs (`OUT+`, `OUT-`) are shut down and in a high-impedance state.

### Power Supplies

The MAX44211 operates from separate analog and digital power supplies. `DVDD` is the digital supply and should be connected to the same supply as the host processor. The logic thresholds for the digital input lines are `DVDD` related and therefore no level translators are required to interface between the host and the MAX44211. `DGND` should be connected back to the host power supply.

The analog section including the power amplifier operates from a single unipolar supply, `AVDD`. `AGND` should be connected back to the analog supply.

`AGND` and `DGND` should be connected together in a star formation for best noise performance.

The exposed pad, `EP`, is internally connected to `AGND` and should be connected to a large copper area for best heat dissipation.

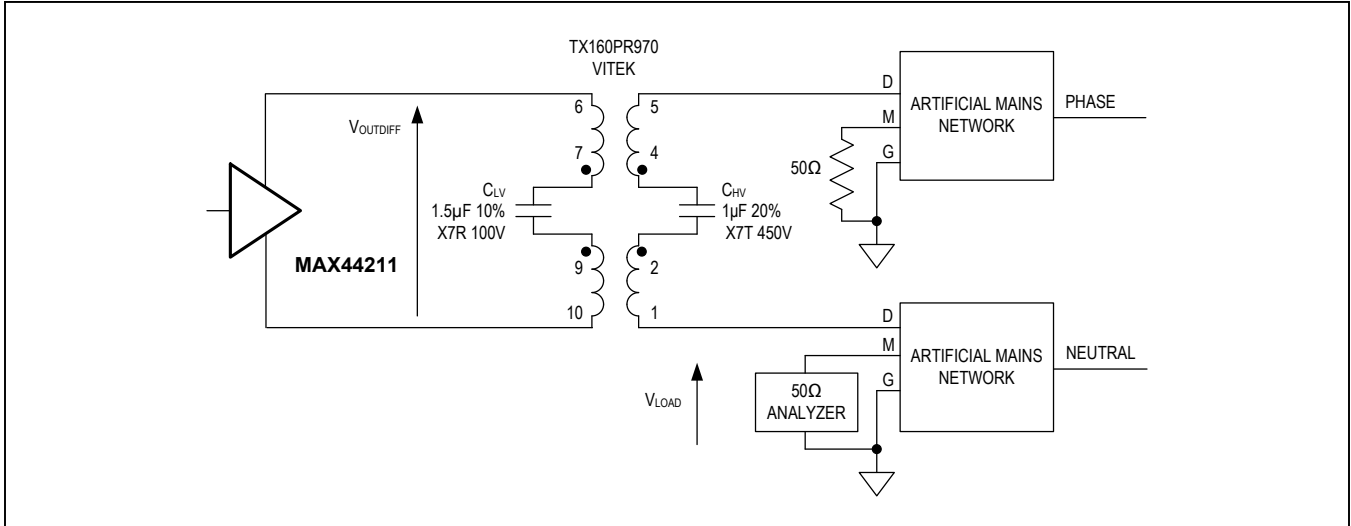


Figure 3. Test Structure for Cenelec

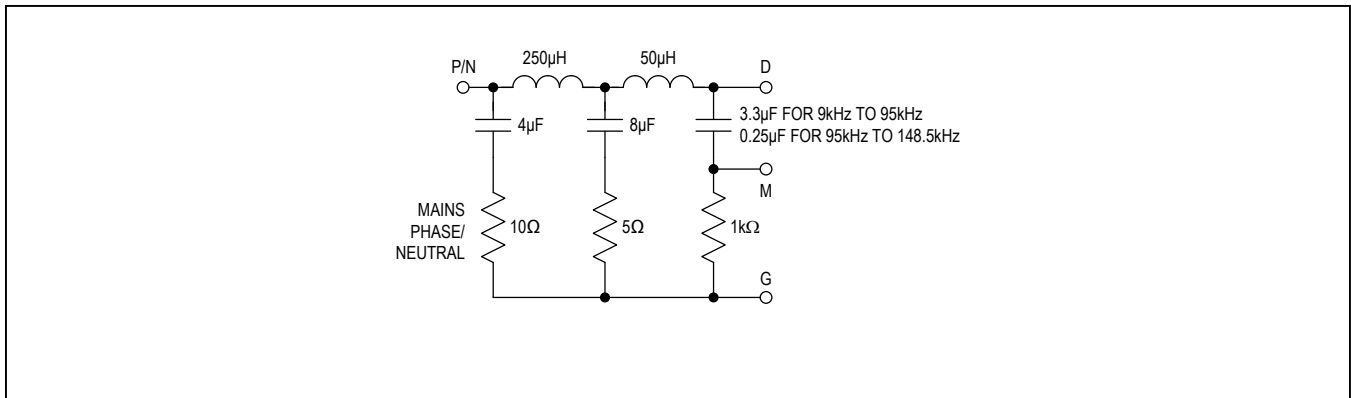


Figure 4. Artificial Mains Network

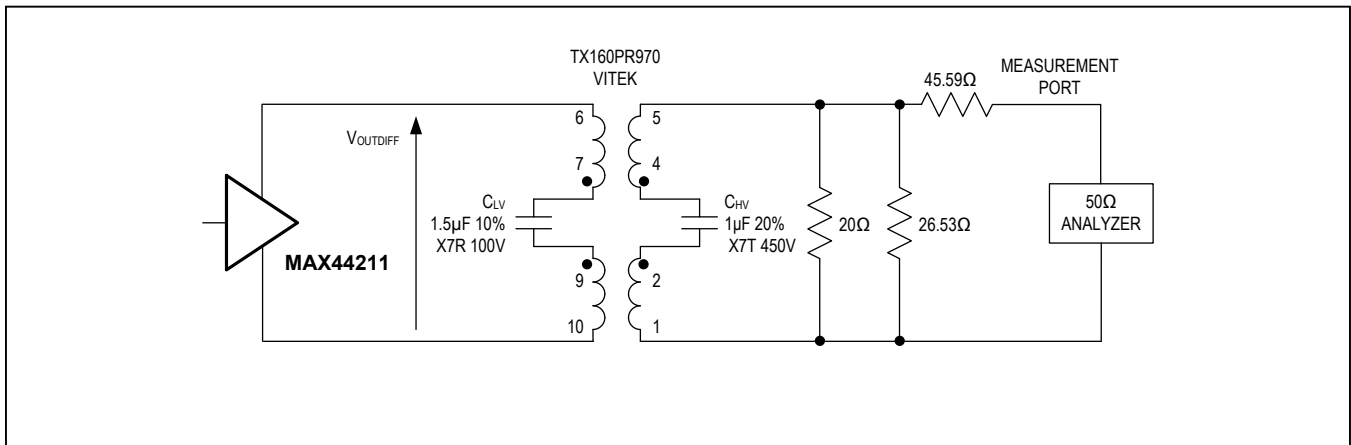
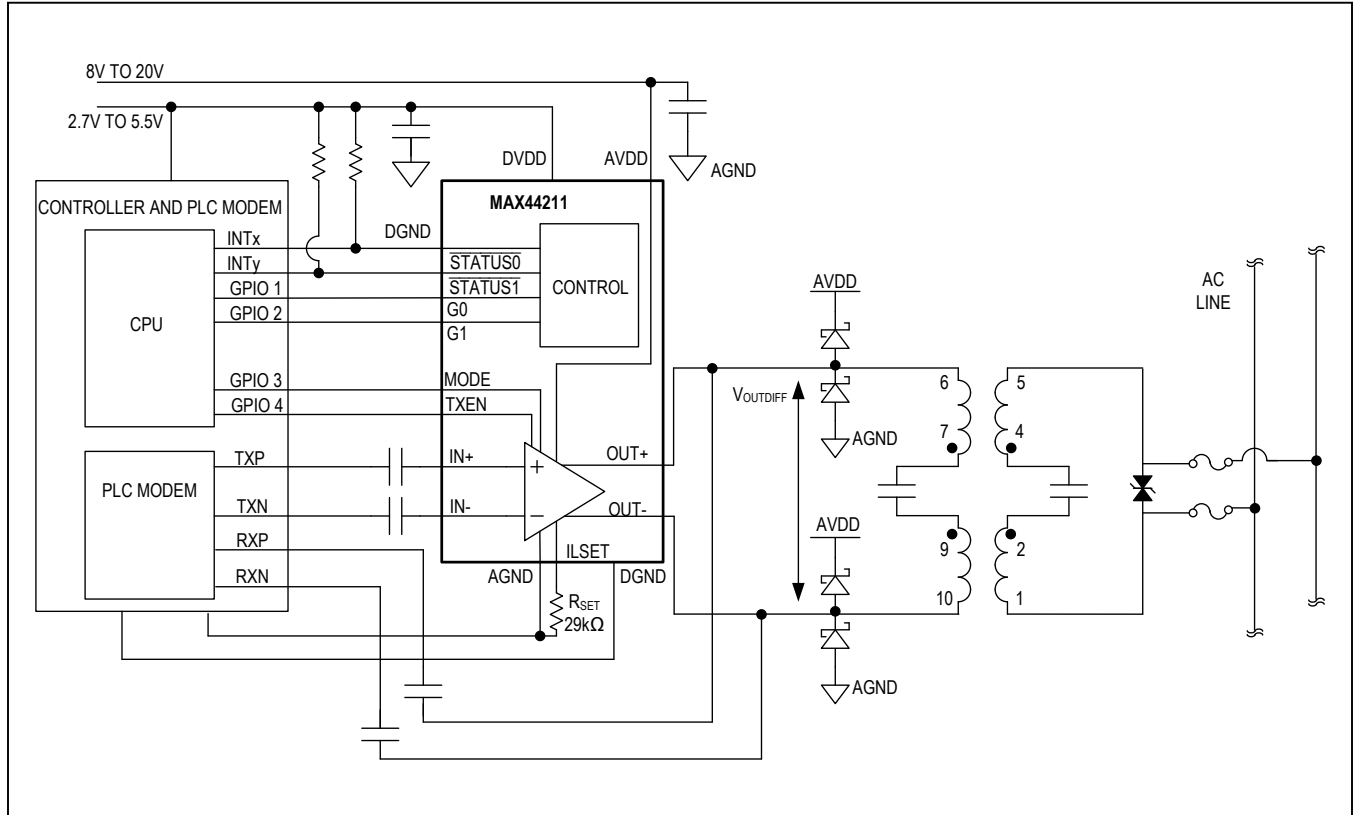


Figure 5. Test Structure for ARIB

Typical Operating Circuit



Ordering Information

PART	TEMP RANGE	PIN-PACKAGE
MAX44211ETP+	-40°C to +85°C	20 TQFN-EP*

+Denotes a lead(Pb)-free/RoHS-compliant package.

\*EP = Exposed pad.

Chip Information

PROCESS: CMOS

Package Information

For the latest package outline information and land patterns (footprints), go to [www.maximintegrated.com/packages](http://www.maximintegrated.com/packages). Note that a "+", "#", or "-" in the package code indicates RoHS status only. Package drawings may show a different suffix character, but the drawing pertains to the package regardless of RoHS status.

PACKAGE TYPE	PACKAGE CODE	OUTLINE NO.	LAND PATTERN NO.
20 TQFN-EP	T2044+4C	<a href="#">21-0139</a>	<a href="#">90-0409</a>

**Revision History**

REVISION NUMBER	REVISION DATE	DESCRIPTION	PAGES CHANGED
0	6/15	Initial release	—

For pricing, delivery, and ordering information, please contact Maxim Direct at 1-888-629-4642, or visit Maxim Integrated's website at [www.maximintegrated.com](http://www.maximintegrated.com).

*Maxim Integrated cannot assume responsibility for use of any circuitry other than circuitry entirely embodied in a Maxim Integrated product. No circuit patent licenses are implied. Maxim Integrated reserves the right to change the circuitry and specifications without notice at any time. The parametric values (min and max limits) shown in the Electrical Characteristics table are guaranteed. Other parametric values quoted in this data sheet are provided for guidance.*



Компания «ЭлектроПласт» предлагает заключение долгосрочных отношений при поставках импортных электронных компонентов на взаимовыгодных условиях!

Наши преимущества:

- Оперативные поставки широкого спектра электронных компонентов отечественного и импортного производства напрямую от производителей и с крупнейших мировых складов;
- Поставка более 17-ти миллионов наименований электронных компонентов;
- Поставка сложных, дефицитных, либо снятых с производства позиций;
- Оперативные сроки поставки под заказ (от 5 рабочих дней);
- Экспресс доставка в любую точку России;
- Техническая поддержка проекта, помощь в подборе аналогов, поставка прототипов;
- Система менеджмента качества сертифицирована по Международному стандарту ISO 9001;
- Лицензия ФСБ на осуществление работ с использованием сведений, составляющих государственную тайну;
- Поставка специализированных компонентов (Xilinx, Altera, Analog Devices, Intersil, Interpoint, Microsemi, Aeroflex, Peregrine, Syfer, Eurofarad, Texas Instrument, Miteq, Cobham, E2V, MA-COM, Hittite, Mini-Circuits, General Dynamics и др.);

Помимо этого, одним из направлений компании «ЭлектроПласт» является направление «Источники питания». Мы предлагаем Вам помощь Конструкторского отдела:

- Подбор оптимального решения, техническое обоснование при выборе компонента;
- Подбор аналогов;
- Консультации по применению компонента;
- Поставка образцов и прототипов;
- Техническая поддержка проекта;
- Защита от снятия компонента с производства.



#### Как с нами связаться

**Телефон:** 8 (812) 309 58 32 (многоканальный)

**Факс:** 8 (812) 320-02-42

**Электронная почта:** [org@eplast1.ru](mailto:org@eplast1.ru)

**Адрес:** 198099, г. Санкт-Петербург, ул. Калинина, дом 2, корпус 4, литера А.