



FCIconnect.com

Copyright FCI.

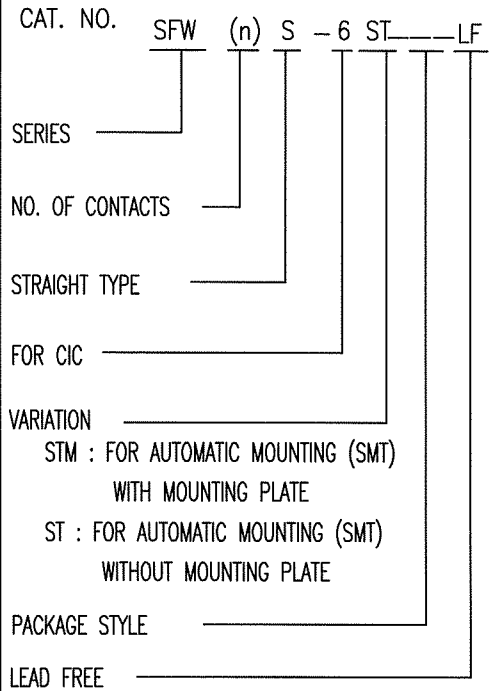
Configuration of Documents

P/N	Documents	No.	Title	CAT.No.
SFW_S-25T(M)E1	Specification Connector dwg.	SC-SFWS01	CAT.NO.TABLE FOR 1mm SPACING SMT CONNECTOR	SFW_S-25T
		JSA93342	1mm SPACING SURFACE MOUNT FPC/FFC CONNECTOR	SFW_S-25T
		JSA93579	1mm SPACING SURFACE MOUNT FPC/FFC CONNECTOR	SFW_S-25TM
		JSA93836	CAT. NO. TABLE FOR PLASTIC TAPE PACKAGED 1mm SPACING SMT CONN.	SFW_S-25T_E1
		JSA93343	PLASTIC TAPE PACKAGED 1mm SPACING SMT CONNECTOR	SFW_S-25T_E1
		JSA93338	RECOMMENDED CABLE	SFW_S-25T
		JSA93340	RECOMMENDED CABLE	SFW_S-25T
		JSA93341	RECOMMENDED CABLE	SFW_S-25T
		BJM-SFWS101	RECOMMENDED CABLE	SFW_S-25T
		JSA93342	RECOMMENDED CABLE	SFW_S-25T
SFW_S-65T(M)E1	Specification Connector dwg.	SC-SFWS02	CAT.NO.TABLE FOR 1mm SPACING SMT CONNECTOR	SFW_S-65T
		JSA93900	1mm SPACING SURFACE MOUNT C/C CONNECTOR	SFW_S-65T
		JSA93905	1mm SPACING SURFACE MOUNT C/C CONNECTOR	SFW_S-65TM
		JSA93901	CAT. NO. TABLE FOR PLASTIC TAPE PACKAGED 1mm SPACING SMT CONN.	SFW_S-65T_E1
		JSA93902	PLASTIC TAPE PACKAGED 1mm SPACING SMT CONNECTOR	SFW_S-65T_E1
		JSA93903	RECOMMENDED CABLE	SFW_S-65T
		JSA93904	RECOMMENDED CABLE	SFW_S-65T
		BJM-SFWS102	RECOMMENDED CABLE	SFW_S-65T
		JSA93904	RECOMMENDED CABLE	SFW_S-65T
		JSA93904	RECOMMENDED CABLE	SFW_S-65T
SFW_S-25T(M)E1LF	Specification Connector dwg.	SC-SFWS03	CAT.NO.TABLE FOR 1mm SPACING SMT CONNECTOR	SFW_S-25T_LF
		JSA96516	1mm SPACING SURFACE MOUNT FPC/FFC CONNECTOR	SFW_S-25T_LF
		JSA96517	1mm SPACING SURFACE MOUNT FPC/FFC CONNECTOR	SFW_S-25TM_LF
		JSA96518	CAT. NO. TABLE FOR PLASTIC TAPE PACKAGED 1mm SPACING SMT CONN.	SFW_S-25T_E1LF
		JSA96519	PLASTIC TAPE PACKAGED 1mm SPACING SMT CONNECTOR	SFW_S-25T_E1LF
		JSA96520	RECOMMENDED CABLE	SFW_S-25T_LF
		JSA93340	RECOMMENDED CABLE	SFW_S-25T_LF
		JSA93341	RECOMMENDED CABLE	SFW_S-25T_LF
		BJM-SFWS101	RECOMMENDED CABLE	SFW_S-25T_LF
		JSA93341	RECOMMENDED CABLE	SFW_S-25T_LF
SFW_S-65T(M)E1LF	Specification Connector dwg.	SC-SFWS04	CAT. NO. TABLE FOR 1mm SPACING SMT CONNECTOR	SFW_S-65T_LF
		JSA96521	1mm SPACING SURFACE MOUNT C/C CONNECTOR	SFW_S-65T_LF
		JSA96522	1mm SPACING SURFACE MOUNT C/C CONNECTOR	SFW_S-65TM_LF
		JSA96523	CAT. NO. TABLE FOR PLASTIC TAPE PACKAGED 1mm SPACING SMT CONN.	SFW_S-65T_E1LF
		JSA96524	PLASTIC TAPE PACKAGED 1mm SPACING SMT CONNECTOR	SFW_S-65T_E1LF
		JSA96525	RECOMMENDED CABLE	SFW_S-65T_LF
		JSA93904	RECOMMENDED CABLE	SFW_S-65T_LF
		BJM-SFWS102	RECOMMENDED CABLE	SFW_S-65T_LF
		JSA93904	RECOMMENDED CABLE	SFW_S-65T_LF
		JSA93904	RECOMMENDED CABLE	SFW_S-65T_LF

mat'l. code		surface 58 / tolerance ISO 1302 / ISO 406 / ISO 1101		projection		product family 58SF		CODE JP	
ltr	ecn no	dr	date	tolerances unless otherwise specified		title		SFW_S Documents Configuration (1mm Spacing connector)	
A	J05-0334	H.T	6/3/'05	angles	linear	mm		dwg no sheet 1 of 1 size	
B	J05-0377	H.T	6/22/'05			scale		JSA96060 A4	
C	J06-0430	H.T	10/19/'06			FCI		type Product Customer Drawing	
sheet index		revision sheet	C 1	dr engr		10/19/06		Rev. C	
				chr		10/19/06			
				appd		10/20/06			

CAT. NO. & DIMENSIONS

NOTE3	NO. OF CONTACTS (n)	CAT. NO.	DIMENSIONS (NOTE2)		
			A ±0.2	B ±0.2	C ±0.2
	4	SFW4S-6ST___LF	10.4	5.24	3
	5	SFW5S-6ST___LF	11.4	6.24	4
	6	SFW6S-6ST___LF	12.4	7.24	5
*	7	SFW7S-6ST___LF	13.4	8.24	6
	8	SFW8S-6ST___LF	14.4	9.24	7
*	9	SFW9S-6ST___LF	15.4	10.24	8
	10	SFW10S-6ST___LF	16.4	11.24	9
	11	SFW11S-6ST___LF	17.4	12.24	10
*	12	SFW12S-6ST___LF	18.4	13.24	11
	13	SFW13S-6ST___LF	19.4	14.24	12
	14	SFW14S-6ST___LF	20.4	15.24	13
	15	SFW15S-6ST___LF	21.4	16.24	14
	16	SFW16S-6ST___LF	22.4	17.24	15
	17	SFW17S-6ST___LF	23.4	18.24	16
*	18	SFW18S-6ST___LF	24.4	19.24	17
*	19	SFW19S-6ST___LF	25.4	20.24	18
	20	SFW20S-6ST___LF	26.4	21.24	19
*	21	SFW21S-6ST___LF	27.4	22.24	20
	22	SFW22S-6ST___LF	28.4	23.24	21
	23	SFW23S-6ST___LF	29.4	24.24	22
	24	SFW24S-6ST___LF	30.4	25.24	23
*	25	SFW25S-6ST___LF	31.4	26.24	24
	26	SFW26S-6ST___LF	32.4	27.24	25
*	27	SFW27S-6ST___LF	33.4	28.24	26
	28	SFW28S-6ST___LF	34.4	29.24	27
	29	SFW29S-6ST___LF	35.4	30.24	28
	30	SFW30S-6ST___LF	36.4	31.24	29
*	31	SFW31S-6ST___LF	37.4	32.24	30
*	32	SFW32S-6ST___LF	38.4	33.24	31



NOTES

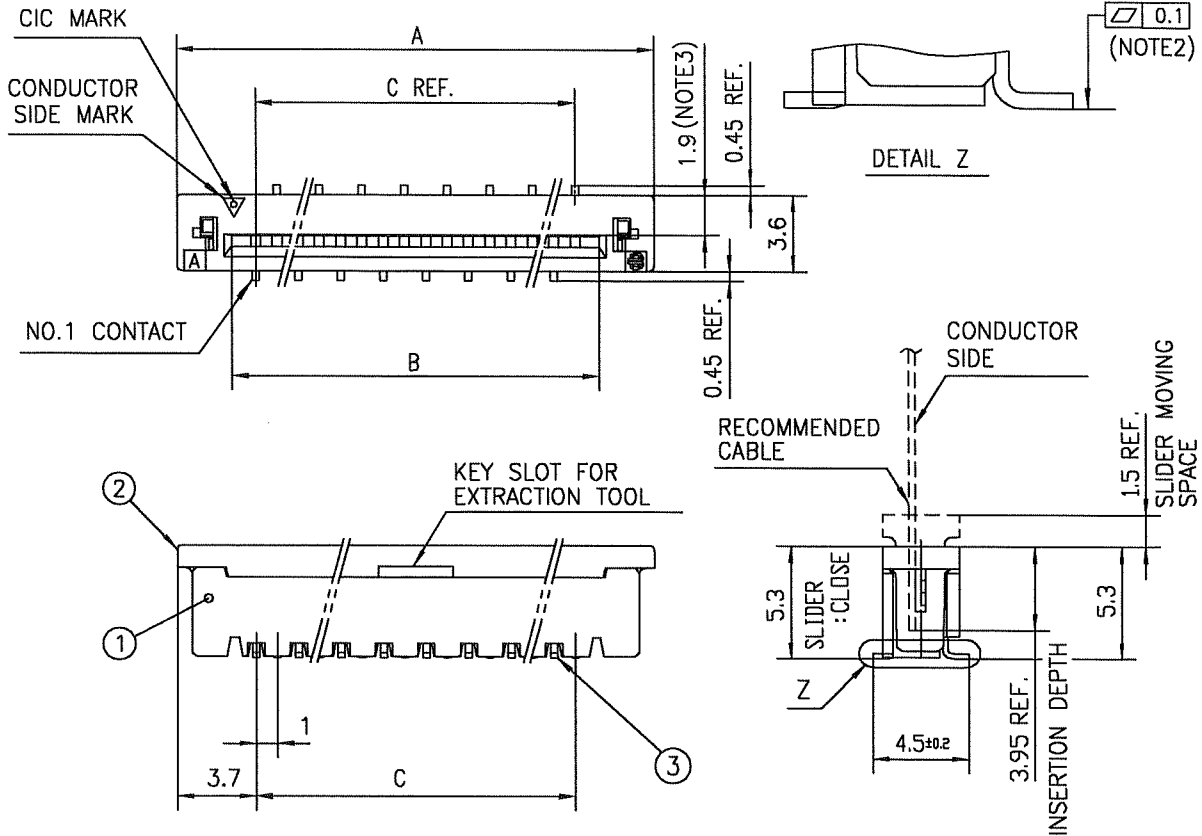
1. THIS PRODUCT IS THE CONNECTOR, DESIGNED TO TERMINATE CIC AND COPE WITH AUTOMATIC MOUNTING (SMT).
2. SEE PART DRAWINGS FOR DIMENSIONS A.B.C.
3. PLEASE CONSULT US IN CASE OF USING PARTS WITH * MARK

mat'l. code				surface 58 / tolerance ISO 1302 / ISO 406 / ISO 1101		projection		product family 58SF		CODE JP	
ltr ecn no dr date				tolerances unless otherwise specified		mm		title CAT. NO. TABLE FOR 1mm SPACING SMT CONNECTOR (CAT.No.SFW__S-6ST___LF)			
A	J05-0377	H.T	2005-6-22	angles linear		scale X		dwg no JSA 96521 sheet 1 of 1 size A4 type Product Customer Drawing			
B	J05-0547	H.T	2005-8-30								
C	J06-0430	H.T	2006-10-19								
D	J07-0407	H.T	2007-8-9								
sheet index				revision D		FCJ		Rev. D			



FCIconnect.com

Copyright FCI.



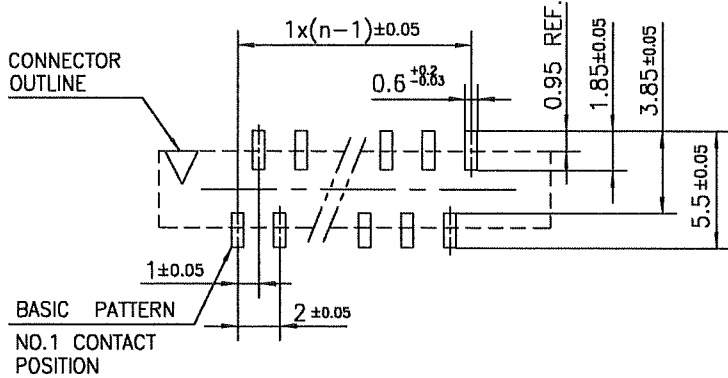
PT. NO.	PARTS NAME	MATERIAL	Q'TY	NOTE
1	HOUSING	GLASS FILLED THERMOPLASTIC RATED. (UL94V-0)	1	COLOR : BROWN
2	SLIDER	GLASS FILLED THERMOPLASTIC RATED. (UL94V-0)	1	COLOR : BLACK
3	CONTACT	PHOSPHOR BRONZE	n	PLATING : TIN Ni UNDER PLATED(LEAD FREE)

n : NO. OF CONTACTS

NOTES

1. THIS PRODUCT IS THE CONNECTOR DESIGNED TO TERMINATE CIC AND COPES WITH AUTOMATIC MOUNTING (SMT).
2. FLATNESS OF CONTACT TERMINAL MUST BE WITHIN TOLERANCE IN Z PORTION DETAILED DRAWING.
3. THIS DIMENSION IS SPACE FOR THE NOZZLE OF MOUNTER.
4. THIS PRODUCT MEETS EUROPEAN UNION DIRECTIVES AND OTHER COUNTRY REGULATIONS AS DESCRIBED IN GS-22-008
5. THE HOUSING WILL WITHSTAND EXPOSURE TO 260°C PEAK TEMPERATURE FOR 10 SECONDS IN A REFLOW SOLDERING OVEN.

RECOMMENDED PC BOARD LAYOUT (COMPONENT SIDE)

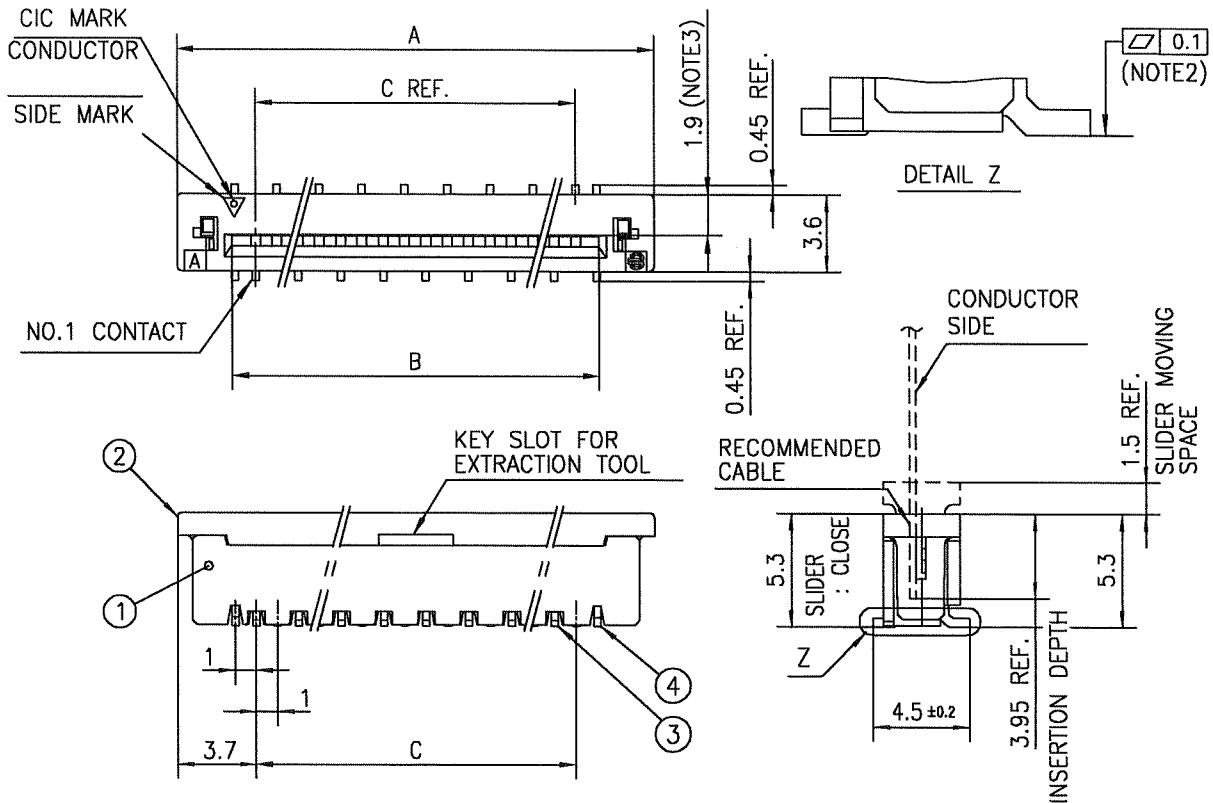


mat'l. code				surface 58	tolerance ISO 1302 ✓	projection	product family 58SF	CODE JP
ltr				tolerances unless otherwise specified		mm	title	
A	J05-0377	H.T	6/22/05	angles	±0.2		1mm SPACING SURFACE MOUNT CIC CONNECTOR (CAT.No.SFW__S-6ST__LF)	
B	J05-0731	H.T	10/28/05	linear		scale X	dwg no JSA 96522 sheet 1 of 1 size A4	
C	J06-0430	H.T	10/19/06	dr			type Product Customer Drawing	
				enr				
				chr				
				appd				
sheet index	revision sheet	C	1					Rev. C



FCIconnect.com

Copyright FCI.



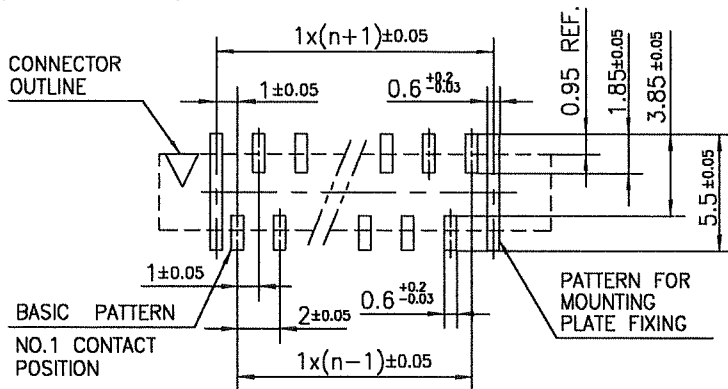
PT. NO.	PARTS NAME	MATERIAL	Q'TY	NOTE
1	HOUSING	GLASS FILLED THERMOPLASTIC RATED.	1	COLOR : ROWN
2	SLIDER	(UL94V-0)	1	COLOR : BLACK
3	CONTACT	PHOSPHOR BRONZE	n	PLATING : TIN Ni UNDER PLATED(LEAD FREE)
4	MOUNTING PLATE	BRASS	2	

n : NO. OF CONTACTS

NOTES

1. THIS PRODUCT IS THE CONNECTOR DESIGNED TO TERMINATE CIC AND COPE WITH AUTOMATIC MOUNTING (SMT).
2. FLATNESS OF CONTACT TERMINAL AND MOUNTING PLATE MUST BE WITHIN TOLERANCE IN Z PORTION DETAILED DRAWING.
3. THIS DIMENSION IS SPACE FOR THE NOZZLE OF MOUNTER.
4. THIS PRODUCT MEETS EUROPEAN UNION DIRECTIVES AND OTHER COUNTRY REGULATIONS AS DESCRIBED IN GS-22-00B
5. THE HOUSING WILL WITHSTAND EXPOSURE TO 260°C PEAK TEMPERATURE FOR 10 SECONDS IN A REFLOW SOLDERING OVEN.

RECOMMENDED PC BOARD LAYOUT (COMPONENT SIDE)



mat'l. code				surface 58 ISO 1302 ✓		tolerance ISO 406 ISO 1101		projection mm		product family 58SF		CODE JP	
ltr ecn no dr date				tolerances unless otherwise specified		±0.2		mm		title 1mm SPACING SURFACE MOUNT CIC CONNECTOR (CAT.No.SFW__S-6STM__LF)			
A J05-0377 H.T 6/22/05				angles				scale X		dwg no sheet 1 of 1 size A4			
B J05-0731 H.T 10/28/05				linear				FCI		JSA 96523			
C J06-0430 H.T 10/19/06										type Product Customer Drawing			
sheet index		revision sheet 1		dr		10/19/06						Rev. c	
				enrg		10/19/06							
				chr		10/19/06							
				appd		10/20/06							

CAT. NO. & DIMENSIONS

(NOTE4)	NO. OF CONTACTS (n)	CAT. NO. (NOTE2)	DIMENSIONS (NOTE3)		
			D ± 5	E ± 0.3	F ± 0.1
	4	SFW4S-6ST_E1LF	28.4	24	—
	5	SFW5S-6ST_E1LF	28.4	24	—
	6	SFW6S-6ST_E1LF	28.4	24	—
*	7	SFW7S-6ST_E1LF	28.4	24	—
	8	SFW8S-6ST_E1LF	28.4	24	—
*	9	SFW9S-6ST_E1LF	28.4	24	—
	10	SFW10S-6ST_E1LF	28.4	24	—
	11	SFW11S-6ST_E1LF	28.4	24	—
*	12	SFW12S-6ST_E1LF	36.4	32	28.4
	13	SFW13S-6ST_E1LF	36.4	32	28.4
	14	SFW14S-6ST_E1LF	36.4	32	28.4
	15	SFW15S-6ST_E1LF	36.4	32	28.4
	16	SFW16S-6ST_E1LF	48.4	44	40.4
	17	SFW17S-6ST_E1LF	48.4	44	40.4
*	18	SFW18S-6ST_E1LF	48.4	44	40.4
*	19	SFW19S-6ST_E1LF	48.4	44	40.4
	20	SFW20S-6ST_E1LF	48.4	44	40.4
*	21	SFW21S-6ST_E1LF	48.4	44	40.4
	22	SFW22S-6ST_E1LF	48.4	44	40.4
	23	SFW23S-6ST_E1LF	48.4	44	40.4
	24	SFW24S-6ST_E1LF	48.4	44	40.4
*	25	SFW25S-6ST_E1LF	48.4	44	40.4
	26	SFW26S-6ST_E1LF	48.4	44	40.4
*	27	SFW27S-6ST_E1LF	60.4	56	52.4
	28	SFW28S-6ST_E1LF	60.4	56	52.4
	29	SFW29S-6ST_E1LF	60.4	56	52.4
	30	SFW30S-6ST_E1LF	60.4	56	52.4
*	31	SFW31S-6ST_E1LF	60.4	56	52.4
*	32	SFW32S-6ST_E1LF	60.4	56	52.4



NOTES

1. THIS PRODUCT IS THE CONNECTOR DESIGNED TO TERMINATE CIC AND COPE WITH AUTOMATIC MOUNTING (SMT).
2. THIS CATALOG NO. INDICATES PLASTIC TAPE PACKAGED CONNECTOR.
3. SEE PART DRAWINGS FOR DIMENSIONS D~F.
4. PLEASE CONSULT US IN CASE OF USING PARTS WITH * MARK.



FCIconnect.com

Copyright FCI.

mat'l. code				surface 58 / tolerance ISO 1302 / ISO 406 / ISO 1101		projection		product family 58SF		CODE JP	
litr ecn no dr date				tolerances unless otherwise specified		mm		title			
A	J05-0377	H.T	2005-6-22	angles linear		mm		CAT. NO. TABLE FOR PLASTIC TAPE PACKAGED 1mm SPACING SMT CONN. (CAT.No.SFW__S-6ST_E1LF)			
B	J05-0547	H.T	2005-8-30			scale X		dwg no sheet 1 of 1 size			
C	J06-0430	H.T	2006-10-19			FCI		JSA 96524 A4			
D	J07-0407	H.T	2007-8-9	dr engr chr appd				type Product Customer Drawing			
sheet index		revision sheet		D 1						Rev. D	



PT. NO.	PARTS NAME	CAT. NO.	MATERIAL	Q'TY	NOTE
1	REEL	_____	CARDBOARD	1	COLOR:GRAY
2	PLASTIC (EMBOSS) TAPE	_____	PET	_____	COLOR:TRANSPARENCY
3	COVER	_____	POLYESTER	_____	COLOR:TRANSPARENCY
4	CONNECTOR	SFW__S-6ST__LF	SEE ATTACHED DWG.	1000	_____

- NOTES
1. THIS IS PLASTIC TAPE PACKAGED CONNECTOR USED FOR CIC AND COPES WITH AUTOMATIC MOUNTING (SMT).
 2. SEE JIS C 0806 (PACKING OF ELECTRONIC COMPONENTS ON CONTINUOUS TAPES (SURFACE MOUNTING DEVICES)) FOR SHAPE AND DIMENSIONS OF PLASTIC (EMBOSS) TAPE AND REEL.
 3. D DIMENSION IS PORTION OF THE CORE.

mat'l. code				surface 58 ISO 1302 ✓	tolerance ISO 406 ISO 1101	projection mm	product family 58SF	CODE JP	
ltr	ecn no	dr	date	tolerances unless otherwise specified		mm	title PLASTIC TAPE PACKAGED 1mm SPACING SMT CONNECTOR (CAT.No.SFW__S-6ST_E1LF)		
A	J05-0377	H.T	6/22/05	angles	±5				
B	J06-0430	H.T	10/19/06	linear	±5'	scale X	dwg no sheet 1 of 1 size		
				dr	<i>H. Shoupe</i> 10/19/06		JSA 96525 A4		
				enr	<i>H. Shoupe</i> 10/19/06		type Product Customer Drawing		
				chr	<i>R. Shoupe</i> 10/19/06				
				appd	<i>S. Shoupe</i> 10/20/06				
sheet index	revision sheet	B	1						Rev. B



FCIconnect.com

Copyright FCI.

RECOMMENDED CABLE (CIC)

n : NO. OF CONDUCTOR



PT. NO.	PARTS NAME	MATERIAL	THICKNESS (μm)	
1	BASE FILM	POLYESTER OR EQUAL	75	25
2	CONDUCTOR	CARBON PASTE OVER SILVER PASTE	10 MIN.	
3	OVERLAY	POLYIMIDE OR POLYESTER OR EQUAL	—	
4	SUPPORTING TAPE	POLYESTER OR POLYIMIDE OR EQUAL	188	250

NOTES

1. NO BURR AT EACH PORTION.
2. NO PEELING IN COMMON USE.
3. TOTAL THICKNESS LIMIT OF EACH MATERIAL (INCLUDING ADHESIVE AGENT) IS SPECIFIED.



FCIconnect.com

Copyright FCI.

mat'l. code				surface 58 ISO 1302 ✓		tolerance ISO 406 ISO 1101		projection mm		product family 58SF		CODE JP	
ltr				ecn no		dr		date		title RECOMMENDED CABLE (CAT.No.SFW__S-6ST__)		sheet 1 of 1	
AA				J04-0333		H.T.		Oct.13, '04		angles		linear	
AB				J06-0430		H.T.		10/19/06		scale X		size A4	
dr				engr		chr		appd		FCI logo		dwg no JSA 93904	
S. Budau				10/19/06		R. Shoyk		10/19/06		type Product Customer Drawing		Rev. AB	
sheet index		revision sheet		AB		1							



Компания «ЭлектроПласт» предлагает заключение долгосрочных отношений при поставках импортных электронных компонентов на взаимовыгодных условиях!

Наши преимущества:

- Оперативные поставки широкого спектра электронных компонентов отечественного и импортного производства напрямую от производителей и с крупнейших мировых складов;
- Поставка более 17-ти миллионов наименований электронных компонентов;
- Поставка сложных, дефицитных, либо снятых с производства позиций;
- Оперативные сроки поставки под заказ (от 5 рабочих дней);
- Экспресс доставка в любую точку России;
- Техническая поддержка проекта, помощь в подборе аналогов, поставка прототипов;
- Система менеджмента качества сертифицирована по Международному стандарту ISO 9001;
- Лицензия ФСБ на осуществление работ с использованием сведений, составляющих государственную тайну;
- Поставка специализированных компонентов (Xilinx, Altera, Analog Devices, Intersil, Interpoint, Microsemi, Aeroflex, Peregrine, Syfer, Eurofarad, Texas Instrument, Miteq, Cobham, E2V, MA-COM, Hittite, Mini-Circuits, General Dynamics и др.);

Помимо этого, одним из направлений компании «ЭлектроПласт» является направление «Источники питания». Мы предлагаем Вам помощь Конструкторского отдела:

- Подбор оптимального решения, техническое обоснование при выборе компонента;
- Подбор аналогов;
- Консультации по применению компонента;
- Поставка образцов и прототипов;
- Техническая поддержка проекта;
- Защита от снятия компонента с производства.



Как с нами связаться

Телефон: 8 (812) 309 58 32 (многоканальный)

Факс: 8 (812) 320-02-42

Электронная почта: org@eplast1.ru

Адрес: 198099, г. Санкт-Петербург, ул. Калинина, дом 2, корпус 4, литера А.