



FCIconnect.com

Copyright FCI.

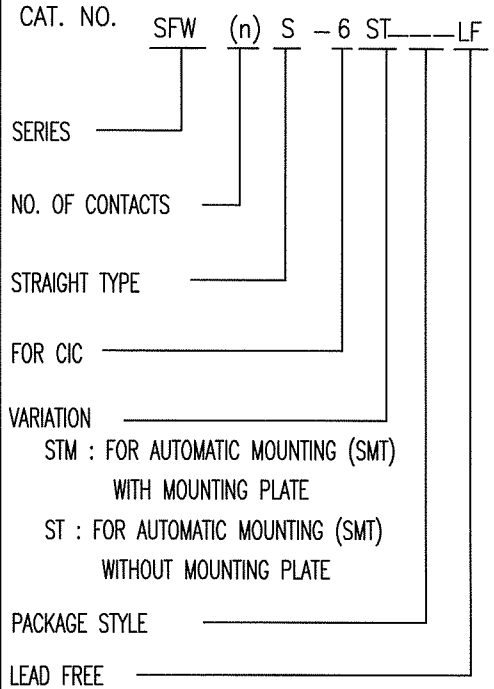
# Configuration of Documents

| P/N              | Documents                    | No.         | Title  | CAT.No.        |
|------------------|------------------------------|-------------|--|----------------|
| SFW_S-25T(M)E1   | Specification Connector dwg. | SC-SFWS01   | CAT.NO.TABLE FOR 1mm SPACING SMT CONNECTOR                     | SFW_S-25T      |
|                  |                              | JSA93342    | 1mm SPACING SURFACE MOUNT FPC/FFC CONNECTOR                    | SFW_S-25T      |
|                  |                              | JSA93579    | 1mm SPACING SURFACE MOUNT FPC/FFC CONNECTOR                    | SFW_S-25TM     |
|                  |                              | JSA93836    | CAT. NO. TABLE FOR PLASTIC TAPE PACKAGED 1mm SPACING SMT CONN. | SFW_S-25T_E1   |
|                  |                              | JSA93343    | PLASTIC TAPE PACKAGED 1mm SPACING SMT CONNECTOR                | SFW_S-25T_E1   |
|                  |                              | JSA93338    | RECOMMENDED CABLE  | SFW_S-25T      |
| SFW_S-65T(M)E1   | Cable dwg.                   | JSA93340    | RECOMMENDED CABLE  | SFW_S-25T      |
|                  | Manual                       | JSA93341    | RECOMMENDED CABLE  | SFW_S-25T      |
|                  | Manual                       | BJM-SFWS101 | RECOMMENDED CABLE  | SFW_S-25T      |
|                  | Specification Connector dwg. | SC-SFWS02   | CAT.NO.TABLE FOR 1mm SPACING SMT CONNECTOR                     | SFW_S-65T      |
|                  |                              | JSA93900    | 1mm SPACING SURFACE MOUNT C/C CONNECTOR                        | SFW_S-65T      |
|                  |                              | JSA93905    | 1mm SPACING SURFACE MOUNT C/C CONNECTOR                        | SFW_S-65TM     |
| SFW_S-25T(M)E1LF | Specification Connector dwg. | JSA93901    | CAT. NO. TABLE FOR PLASTIC TAPE PACKAGED 1mm SPACING SMT CONN. | SFW_S-65T_E1   |
|                  |                              | JSA93902    | PLASTIC TAPE PACKAGED 1mm SPACING SMT CONN.                    | SFW_S-65T_E1   |
|                  |                              | JSA93903    | RECOMMENDED CABLE  | SFW_S-65T_E1   |
|                  | Cable dwg.                   | JSA93904    | RECOMMENDED CABLE  | SFW_S-65T      |
|                  | Manual                       | BJM-SFWS102 | RECOMMENDED CABLE  | SFW_S-65T      |
|                  | Manual                       | BJM-SFWS102 | RECOMMENDED CABLE  | SFW_S-65T      |
| SFW_S-25T(M)E1LF | Specification Connector dwg. | SC-SFWS03   | CAT.NO.TABLE FOR 1mm SPACING SMT CONNECTOR                     | SFW_S-25T_LF   |
|                  |                              | JSA96516    | 1mm SPACING SURFACE MOUNT FPC/FFC CONNECTOR                    | SFW_S-25T_LF   |
|                  |                              | JSA96517    | 1mm SPACING SURFACE MOUNT FPC/FFC CONNECTOR                    | SFW_S-25TM_LF  |
|                  |                              | JSA96518    | CAT. NO. TABLE FOR PLASTIC TAPE PACKAGED 1mm SPACING SMT CONN. | SFW_S-25T_E1LF |
|                  |                              | JSA96519    | PLASTIC TAPE PACKAGED 1mm SPACING SMT CONNECTOR                | SFW_S-25T_E1LF |
|                  |                              | JSA96520    | RECOMMENDED CABLE  | SFW_S-25T_LF   |
| SFW_S-65T(M)E1LF | Cable dwg.                   | JSA93340    | RECOMMENDED CABLE  | SFW_S-25T_LF   |
|                  | Manual                       | JSA93341    | RECOMMENDED CABLE  | SFW_S-25T_LF   |
|                  | Manual                       | BJM-SFWS101 | RECOMMENDED CABLE  | SFW_S-25T_LF   |
|                  | Specification Connector dwg. | SC-SFWS04   | CAT. NO. TABLE FOR 1mm SPACING SMT CONNECTOR                   | SFW_S-65T_LF   |
|                  |                              | JSA96521    | 1mm SPACING SURFACE MOUNT C/C CONNECTOR                        | SFW_S-65T_LF   |
|                  |                              | JSA96522    | 1mm SPACING SURFACE MOUNT C/C CONNECTOR                        | SFW_S-65TM_LF  |

|             |          |  |           |                                       |  |   |  |                               |  |
|-------------|----------|--|-----------|---------------------------------------|--|---|--|-------------------------------|--|
| mat'l. code |          | surface 58 / tolerance ISO 1302 / ISO 406 / ISO 1101 |           | projection                            |  | product family 58SF                                   |  | CODE JP                       |  |
| ltr         | ecn no   | dr   | date      | tolerances unless otherwise specified |  | title   |  | sheet 1 of 1                  |  |
| A           | J05-0334 | H.T  | 6/3/'05   | angles linear                         |  | SFW_S Documents Configuration (1mm Spacing connector) |  | size A4                       |  |
| B           | J05-0377 | H.T  | 6/22/'05  | linear                                |  | mm  |  | sheet                         |  |
| C           | J06-0430 | H.T  | 10/19/'06 | linear                                |  | scale   |  | revision                      |  |
|             |          | dr   |           |                                       |  | FCI   |  | type Product Customer Drawing |  |
|             |          | enr  |           |                                       |  |   |  | Rev. C                        |  |
|             |          | chr  |           |                                       |  |   |  | C                             |  |
|             |          | appd   |           |                                       |  |   |  | D                             |  |
| sheet index |          | revision sheet                                       | C 1       |                                       |  |   |  |                               |  |

CAT. NO. & DIMENSIONS

| NOTE3 | NO. OF CONTACTS (n) | CAT. NO.        | DIMENSIONS (NOTE2) |        |        |
|-------|---------------------|-----------------|--------------------|--------|--------|
|       |                     |                 | A ±0.2             | B ±0.2 | C ±0.2 |
|       | 4                   | SFW4S-6ST___LF  | 10.4               | 5.24   | 3      |
|       | 5                   | SFW5S-6ST___LF  | 11.4               | 6.24   | 4      |
|       | 6                   | SFW6S-6ST___LF  | 12.4               | 7.24   | 5      |
| *     | 7                   | SFW7S-6ST___LF  | 13.4               | 8.24   | 6      |
|       | 8                   | SFW8S-6ST___LF  | 14.4               | 9.24   | 7      |
| *     | 9                   | SFW9S-6ST___LF  | 15.4               | 10.24  | 8      |
|       | 10                  | SFW10S-6ST___LF | 16.4               | 11.24  | 9      |
|       | 11                  | SFW11S-6ST___LF | 17.4               | 12.24  | 10     |
| *     | 12                  | SFW12S-6ST___LF | 18.4               | 13.24  | 11     |
|       | 13                  | SFW13S-6ST___LF | 19.4               | 14.24  | 12     |
|       | 14                  | SFW14S-6ST___LF | 20.4               | 15.24  | 13     |
|       | 15                  | SFW15S-6ST___LF | 21.4               | 16.24  | 14     |
|       | 16                  | SFW16S-6ST___LF | 22.4               | 17.24  | 15     |
|       | 17                  | SFW17S-6ST___LF | 23.4               | 18.24  | 16     |
| *     | 18                  | SFW18S-6ST___LF | 24.4               | 19.24  | 17     |
| *     | 19                  | SFW19S-6ST___LF | 25.4               | 20.24  | 18     |
|       | 20                  | SFW20S-6ST___LF | 26.4               | 21.24  | 19     |
| *     | 21                  | SFW21S-6ST___LF | 27.4               | 22.24  | 20     |
|       | 22                  | SFW22S-6ST___LF | 28.4               | 23.24  | 21     |
|       | 23                  | SFW23S-6ST___LF | 29.4               | 24.24  | 22     |
|       | 24                  | SFW24S-6ST___LF | 30.4               | 25.24  | 23     |
| *     | 25                  | SFW25S-6ST___LF | 31.4               | 26.24  | 24     |
|       | 26                  | SFW26S-6ST___LF | 32.4               | 27.24  | 25     |
| *     | 27                  | SFW27S-6ST___LF | 33.4               | 28.24  | 26     |
|       | 28                  | SFW28S-6ST___LF | 34.4               | 29.24  | 27     |
|       | 29                  | SFW29S-6ST___LF | 35.4               | 30.24  | 28     |
|       | 30                  | SFW30S-6ST___LF | 36.4               | 31.24  | 29     |
| *     | 31                  | SFW31S-6ST___LF | 37.4               | 32.24  | 30     |
| *     | 32                  | SFW32S-6ST___LF | 38.4               | 33.24  | 31     |



NOTES

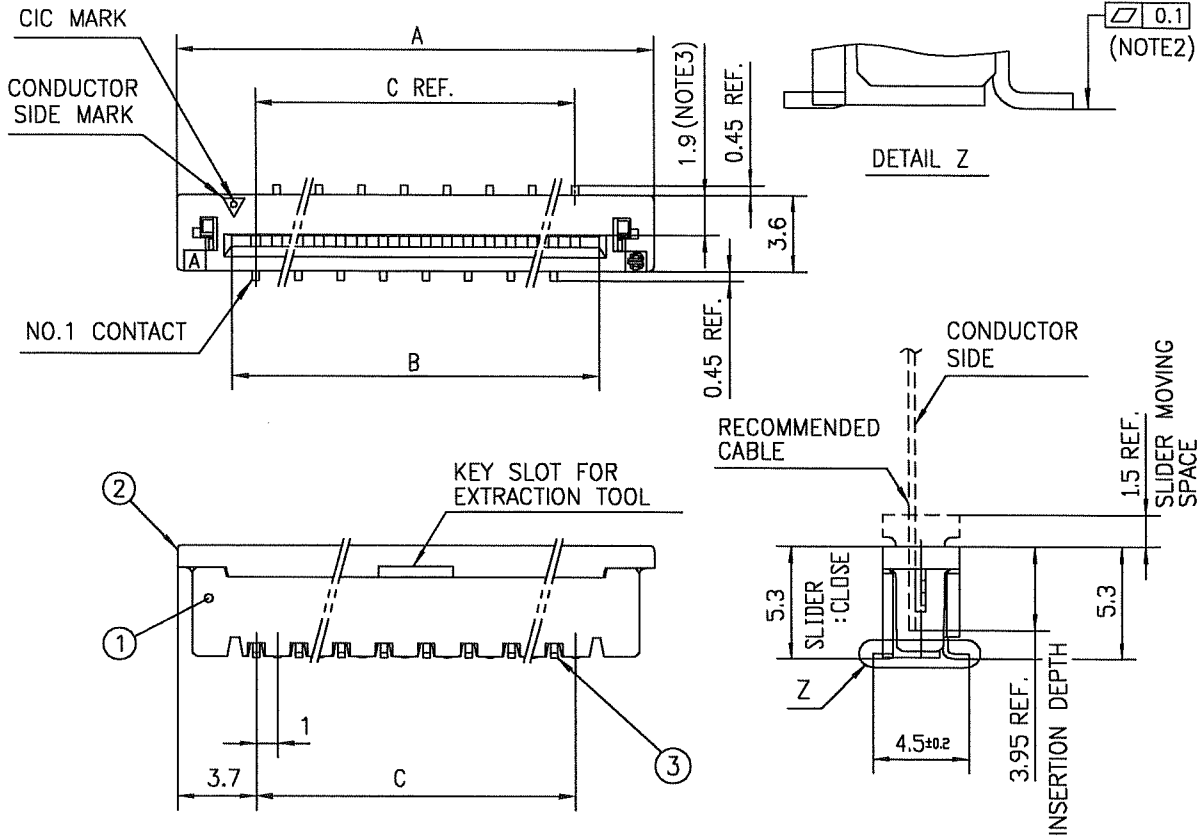
1. THIS PRODUCT IS THE CONNECTOR, DESIGNED TO TERMINATE CIC AND COPE WITH AUTOMATIC MOUNTING (SMT).
2. SEE PART DRAWINGS FOR DIMENSIONS A.B.C.
3. PLEASE CONSULT US IN CASE OF USING PARTS WITH \* MARK

|             |          |          |  |                                       |            |  |                   |        |
|-------------|----------|----------|--|---------------------------------------|------------|--|-------------------|--------|
| mat'l. code |          |          | surface 58 / tolerance ISO 1302 / ISO 406 / ISO 1101 |                                       | projection | product family 58SF  | CODE JP           |        |
| ltr         | ecn no   | dr       | date   | tolerances unless otherwise specified |            | title  |                   |        |
| A           | J05-0377 | H.T      | 2005-6-22  | angles                                | linear     | CAT. NO. TABLE FOR 1mm SPACING SMT CONNECTOR (CAT.No.SFW___S-6ST___LF) |                   |        |
| B           | J05-0547 | H.T      | 2005-8-30  |                                       |            | mm   |                   |        |
| C           | J06-0430 | H.T      | 2006-10-19   |                                       |            | scale X  |                   |        |
| D           | J07-0407 | H.T      | 2007-8-9   | dr                                    | engr       | dwg no   | sheet 1 of 1 size |        |
|             |          |          |  | chr                                   | appd       | JSA 96521  | A4                |        |
| sheet index |          | revision | D  | type Product Customer Drawing         |            |  |                   | Rev. D |



FCIconnect.com

Copyright FCI.



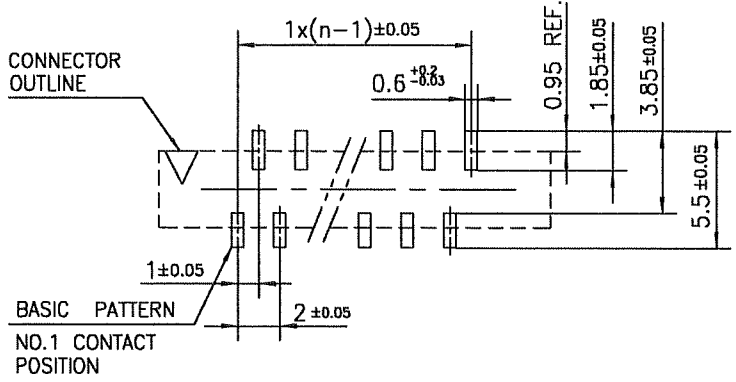
| PT. NO. | PARTS NAME | MATERIAL                                    | Q'TY | NOTE                                     |
|---------|------------|---|------|--|
| 1       | HOUSING    | GLASS FILLED THERMOPLASTIC RATED. (UL94V-0) | 1    | COLOR : BROWN                            |
| 2       | SLIDER     | GLASS FILLED THERMOPLASTIC RATED. (UL94V-0) | 1    | COLOR : BLACK                            |
| 3       | CONTACT    | PHOSPHOR BRONZE                             | n    | PLATING : TIN Ni UNDER PLATED(LEAD FREE) |

n : NO. OF CONTACTS

NOTES

1. THIS PRODUCT IS THE CONNECTOR DESIGNED TO TERMINATE CIC AND COPES WITH AUTOMATIC MOUNTING (SMT).
2. FLATNESS OF CONTACT TERMINAL MUST BE WITHIN TOLERANCE IN Z PORTION DETAILED DRAWING.
3. THIS DIMENSION IS SPACE FOR THE NOZZLE OF MOUNTER.
4. THIS PRODUCT MEETS EUROPEAN UNION DIRECTIVES AND OTHER COUNTRY REGULATIONS AS DESCRIBED IN GS-22-008
5. THE HOUSING WILL WITHSTAND EXPOSURE TO 260°C PEAK TEMPERATURE FOR 10 SECONDS IN A REFLOW SOLDERING OVEN.

RECOMMENDED PC BOARD LAYOUT (COMPONENT SIDE)

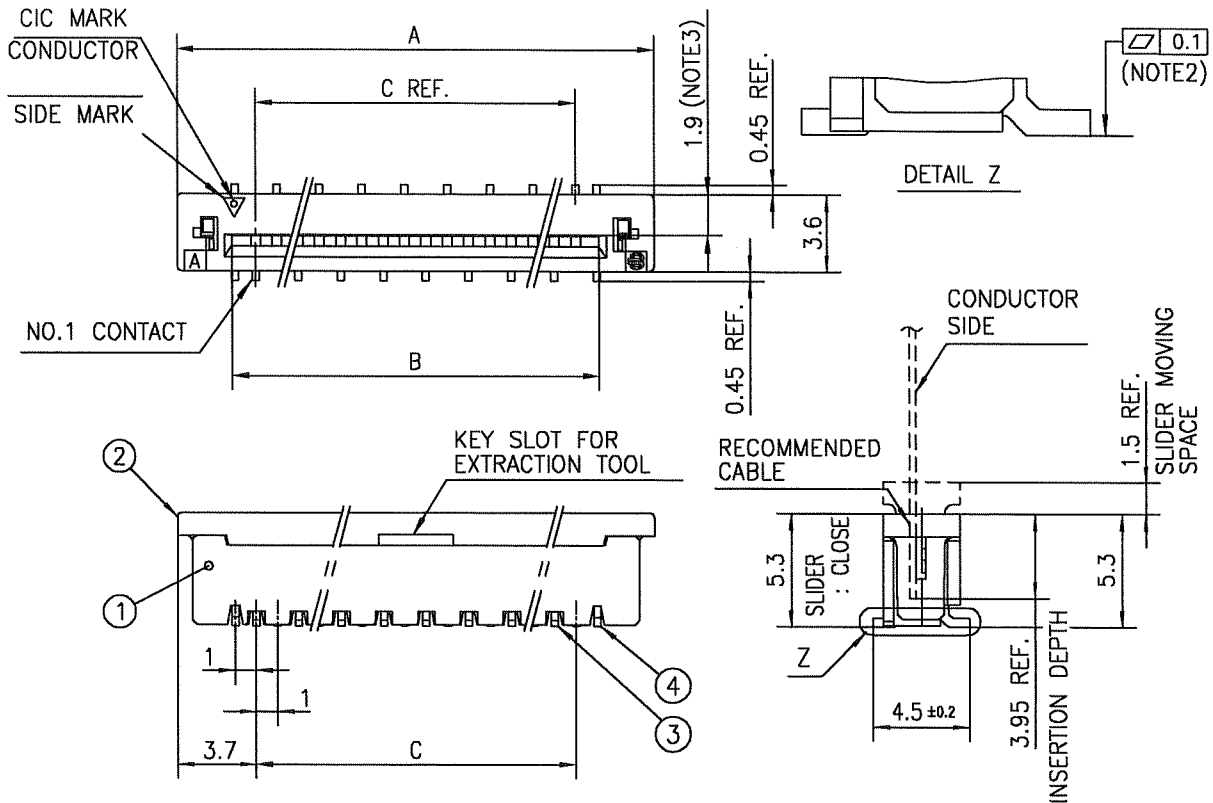


|                         |  |                |  |  |  |            |  |   |  |         |  |
|-------------------------|--|----------------|--|--|--|------------|--|---|--|---------|--|
| mat'l. code             |  |                |  | surface 58 / tolerance ISO 1302 ✓ / ISO 406 / ISO 1101 |  | projection |  | product family 58SF   |  | CODE JP |  |
| ltr ecn no dr date      |  |                |  | tolerances unless otherwise specified                  |  | mm         |  | title   |  |         |  |
| A J05-0377 H.T 6/22/05  |  |                |  | ±0.2   |  | mm         |  | 1mm SPACING SURFACE MOUNT CIC CONNECTOR (CAT.No.SFW__S-6ST__LF) |  |         |  |
| B J05-0731 H.T 10/28/05 |  |                |  | linear   |  | mm         |  | dwg no sheet 1 of 1 size  |  |         |  |
| C J06-0430 H.T 10/19/06 |  |                |  |  |  | scale X    |  | JSA 96522 A4  |  |         |  |
| dr                      |  |                |  | 10/19/06   |  | FCI        |  | type Product Customer Drawing                                   |  |         |  |
| enr                     |  |                |  | 10/19/06   |  |            |  | Rev. C  |  |         |  |
| chr                     |  |                |  | 10/19/06   |  |            |  |   |  |         |  |
| appd                    |  |                |  | 10/20/06   |  |            |  |   |  |         |  |
| sheet index             |  | revision sheet |  | C 1  |  |            |  |   |  |         |  |



FCIconnect.com

Copyright FCI.



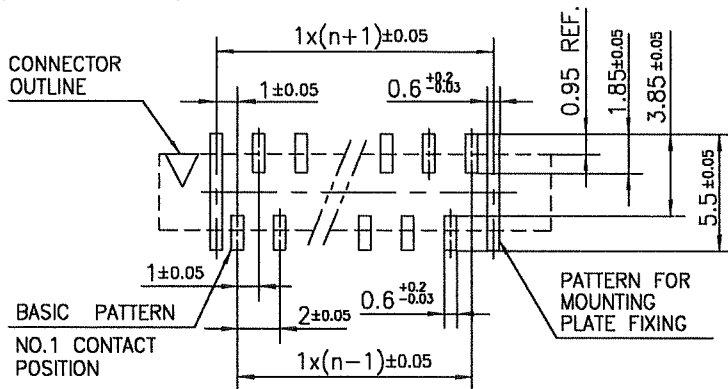
| PT. NO. | PARTS NAME     | MATERIAL                          | Q'TY | NOTE                                     |
|---------|----------------|-----------------------------------|------|--|
| 1       | HOUSING        | GLASS FILLED THERMOPLASTIC RATED. | 1    | COLOR : ROWN                             |
| 2       | SLIDER         | (UL94V-0)                         | 1    | COLOR : BLACK                            |
| 3       | CONTACT        | PHOSPHOR BRONZE                   | n    | PLATING : TIN Ni UNDER PLATED(LEAD FREE) |
| 4       | MOUNTING PLATE | BRASS                             | 2    |  |

n : NO. OF CONTACTS

NOTES

1. THIS PRODUCT IS THE CONNECTOR DESIGNED TO TERMINATE CIC AND COPE WITH AUTOMATIC MOUNTING (SMT).
2. FLATNESS OF CONTACT TERMINAL AND MOUNTING PLATE MUST BE WITHIN TOLERANCE IN Z PORTION DETAILED DRAWING.
3. THIS DIMENSION IS SPACE FOR THE NOZZLE OF MOUNTER.
4. THIS PRODUCT MEETS EUROPEAN UNION DIRECTIVES AND OTHER COUNTRY REGULATIONS AS DESCRIBED IN GS-22-008
5. THE HOUSING WILL WITHSTAND EXPOSURE TO 260°C PEAK TEMPERATURE FOR 10 SECONDS IN A REFLOW SOLDERING OVEN.

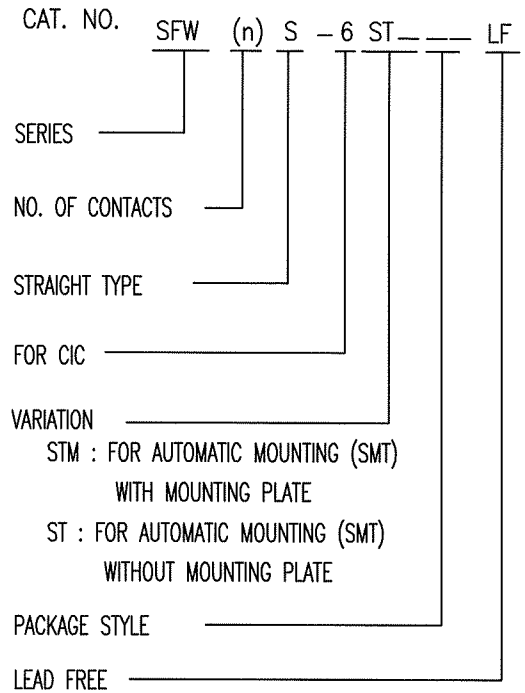
RECOMMENDED PC BOARD LAYOUT (COMPONENT SIDE)



|                         |  |                  |  |                                       |  |                                  |  |                |  |  |  |         |  |
|-------------------------|--|------------------|--|---------------------------------------|--|----------------------------------|--|----------------|--|--|--|---------|--|
| mat'l. code             |  |                  |  | surface 58 ✓<br>ISO 1302              |  | tolerance<br>ISO 406<br>ISO 1101 |  | projection<br> |  | product family 58SF  |  | CODE JP |  |
| ltr ecn no dr date      |  |                  |  | tolerances unless otherwise specified |  | ±0.2                             |  | mm             |  | title 1mm SPACING SURFACE MOUNT<br>CIC CONNECTOR<br>(CAT.No.SFW__S-6STM__LF) |  |         |  |
| A J05-0377 H.T 6/22/05  |  |                  |  | angles                                |  | linear                           |  | scale X        |  | dwg no sheet 1 of 1 size A4  |  |         |  |
| B J05-0731 H.T 10/28/05 |  |                  |  |                                       |  |                                  |  |                |  | JSA 96523  |  |         |  |
| C J06-0430 H.T 10/19/06 |  |                  |  |                                       |  |                                  |  |                |  | type Product Customer Drawing  |  |         |  |
| sheet index             |  | revision sheet 1 |  | dr                                    |  | engr                             |  | chr            |  | appd   |  | Rev. c  |  |
|                         |  |                  |  | 10/19/06                              |  | 10/19/06                         |  | 10/19/06       |  | 10/20/06   |  |         |  |

CAT. NO. & DIMENSIONS

| (NOTE4) | NO. OF CONTACTS (n) | CAT. NO. (NOTE2) | DIMENSIONS (NOTE3) |         |         |
|---------|---------------------|------------------|--------------------|---------|---------|
|         |                     |                  | D ± 5              | E ± 0.3 | F ± 0.1 |
|         | 4                   | SFW4S-6ST_E1LF   | 28.4               | 24      | —       |
|         | 5                   | SFW5S-6ST_E1LF   | 28.4               | 24      | —       |
|         | 6                   | SFW6S-6ST_E1LF   | 28.4               | 24      | —       |
| *       | 7                   | SFW7S-6ST_E1LF   | 28.4               | 24      | —       |
|         | 8                   | SFW8S-6ST_E1LF   | 28.4               | 24      | —       |
| *       | 9                   | SFW9S-6ST_E1LF   | 28.4               | 24      | —       |
|         | 10                  | SFW10S-6ST_E1LF  | 28.4               | 24      | —       |
|         | 11                  | SFW11S-6ST_E1LF  | 28.4               | 24      | —       |
| *       | 12                  | SFW12S-6ST_E1LF  | 36.4               | 32      | 28.4    |
|         | 13                  | SFW13S-6ST_E1LF  | 36.4               | 32      | 28.4    |
|         | 14                  | SFW14S-6ST_E1LF  | 36.4               | 32      | 28.4    |
|         | 15                  | SFW15S-6ST_E1LF  | 36.4               | 32      | 28.4    |
|         | 16                  | SFW16S-6ST_E1LF  | 48.4               | 44      | 40.4    |
|         | 17                  | SFW17S-6ST_E1LF  | 48.4               | 44      | 40.4    |
| *       | 18                  | SFW18S-6ST_E1LF  | 48.4               | 44      | 40.4    |
| *       | 19                  | SFW19S-6ST_E1LF  | 48.4               | 44      | 40.4    |
|         | 20                  | SFW20S-6ST_E1LF  | 48.4               | 44      | 40.4    |
| *       | 21                  | SFW21S-6ST_E1LF  | 48.4               | 44      | 40.4    |
|         | 22                  | SFW22S-6ST_E1LF  | 48.4               | 44      | 40.4    |
|         | 23                  | SFW23S-6ST_E1LF  | 48.4               | 44      | 40.4    |
|         | 24                  | SFW24S-6ST_E1LF  | 48.4               | 44      | 40.4    |
| *       | 25                  | SFW25S-6ST_E1LF  | 48.4               | 44      | 40.4    |
|         | 26                  | SFW26S-6ST_E1LF  | 48.4               | 44      | 40.4    |
| *       | 27                  | SFW27S-6ST_E1LF  | 60.4               | 56      | 52.4    |
|         | 28                  | SFW28S-6ST_E1LF  | 60.4               | 56      | 52.4    |
|         | 29                  | SFW29S-6ST_E1LF  | 60.4               | 56      | 52.4    |
|         | 30                  | SFW30S-6ST_E1LF  | 60.4               | 56      | 52.4    |
| *       | 31                  | SFW31S-6ST_E1LF  | 60.4               | 56      | 52.4    |
| *       | 32                  | SFW32S-6ST_E1LF  | 60.4               | 56      | 52.4    |



NOTES

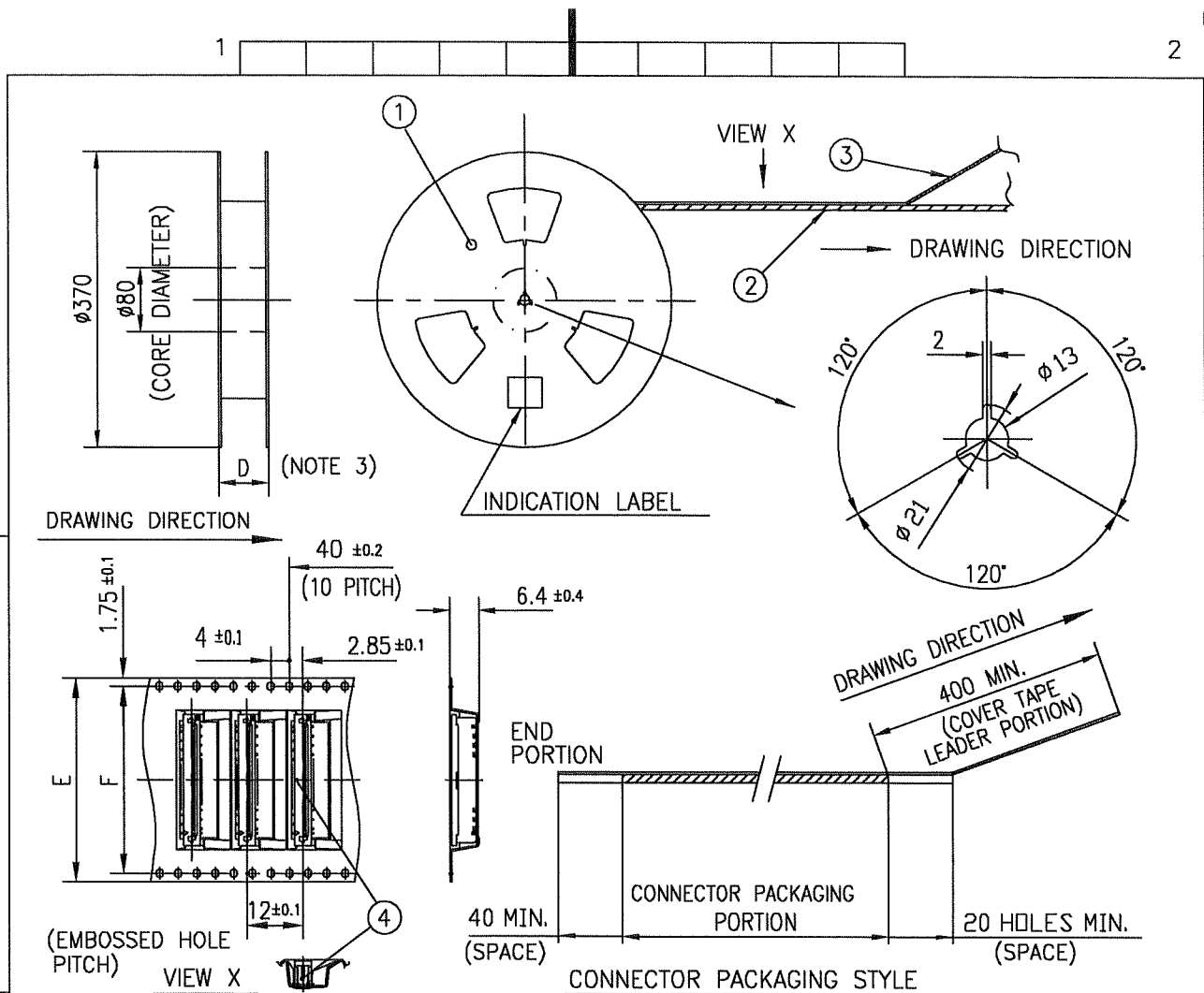
1. THIS PRODUCT IS THE CONNECTOR DESIGNED TO TERMINATE CIC AND COPE WITH AUTOMATIC MOUNTING (SMT).
2. THIS CATALOG NO. INDICATES PLASTIC TAPE PACKAGED CONNECTOR.
3. SEE PART DRAWINGS FOR DIMENSIONS D~F.
4. PLEASE CONSULT US IN CASE OF USING PARTS WITH \* MARK.



FCIconnect.com

Copyright FCI.

|                     |          |                |            |  |  |            |  |   |  |         |  |
|---------------------|----------|----------------|------------|--|--|------------|--|---|--|---------|--|
| mat'l. code         |          |                |            | surface 58 / tolerance ISO 1302 ✓ / ISO 406 / ISO 1101 |  | projection |  | product family 58SF   |  | CODE JP |  |
| litr ecn no dr date |          |                |            | tolerances unless otherwise specified                  |  | mm         |  | title   |  |         |  |
| A                   | J05-0377 | H.T            | 2005-6-22  | angles linear  |  | mm         |  | CAT. NO. TABLE FOR PLASTIC TAPE PACKAGED 1mm SPACING SMT CONN. (CAT.No.SFW__S-6ST_E1LF) |  |         |  |
| B                   | J05-0547 | H.T            | 2005-8-30  |  |  | scale X    |  | dwg no sheet 1 of 1 size  |  |         |  |
| C                   | J06-0430 | H.T            | 2006-10-19 |  |  | FCI        |  | JSA 96524 A4  |  |         |  |
| D                   | J07-0407 | H.T            | 2007-8-9   | dr engr chr appd                                       |  |            |  | type Product Customer Drawing   |  |         |  |
| sheet index         |          | revision sheet |            | D 1  |  |            |  |   |  | Rev. D  |  |



| PT. NO. | PARTS NAME            | CAT. NO.       | MATERIAL          | Q'TY  | NOTE               |
|---------|-----------------------|----------------|-------------------|-------|--------------------|
| 1       | REEL                  | _____          | CARDBOARD         | 1     | COLOR:GRAY         |
| 2       | PLASTIC (EMBOSS) TAPE | _____          | PET               | _____ | COLOR:TRANSPARENCY |
| 3       | COVER                 | _____          | POLYESTER         | _____ | COLOR:TRANSPARENCY |
| 4       | CONNECTOR             | SFW__S-6ST__LF | SEE ATTACHED DWG. | 1000  | _____              |

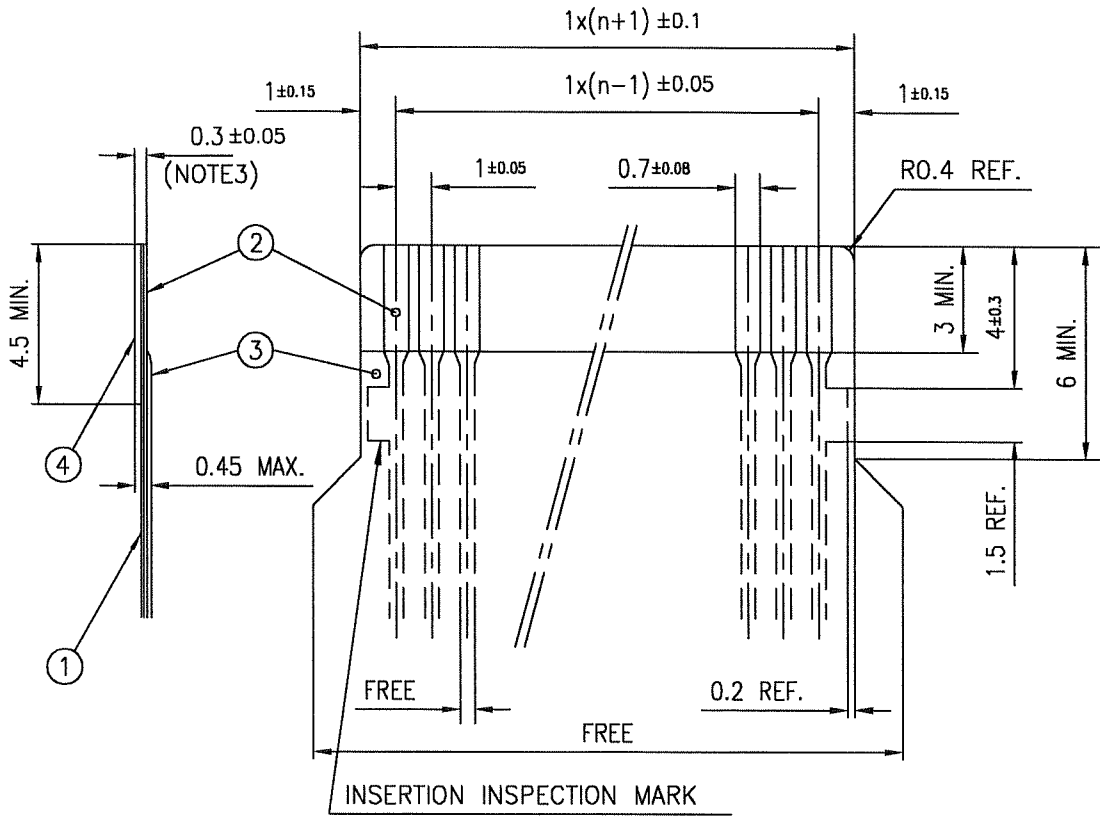
NOTES

1. THIS IS PLASTIC TAPE PACKAGED CONNECTOR USED FOR CIC AND COPES WITH AUTOMATIC MOUNTING (SMT).
2. SEE JIS C 0806 (PACKING OF ELECTRONIC COMPONENTS ON CONTINUOUS TAPES (SURFACE MOUNTING DEVICES)) FOR SHAPE AND DIMENSIONS OF PLASTIC (EMBOSS) TAPE AND REEL.
3. D DIMENSION IS PORTION OF THE CORE.

|             |                |     |          |                                       |                                  |                  |   |            |        |
|-------------|----------------|-----|----------|---------------------------------------|----------------------------------|------------------|---|------------|--------|
| mat'l. code |                |     |          | surface 58<br>ISO 1302 ✓              | tolerance<br>ISO 406<br>ISO 1101 | projection<br>mm | product family<br>58SF  | CODE<br>JP |        |
| ltr         | ecn no         | dr  | date     | tolerances unless otherwise specified |                                  | mm               | title<br>PLASTIC TAPE PACKAGED<br>1mm SPACING SMT CONNECTOR<br>(CAT.No.SFW__S-6ST_E1LF) |            |        |
| A           | J05-0377       | H.T | 6/22/05  | angles                                | ±5                               |                  |   |            |        |
| B           | J06-0430       | H.T | 10/19/06 | linear                                | ±5'                              | scale X          | dwg no sheet 1 of 1 size  |            |        |
|             |                |     |          | dr                                    | <i>H. Shoupe</i> 10/19/06        |                  | JSA 96525 A4  |            |        |
|             |                |     |          | enr                                   | <i>H. Shoupe</i> 10/19/06        |                  | type Product Customer Drawing   |            |        |
|             |                |     |          | chr                                   | <i>R. Shoupe</i> 10/19/06        |                  |   |            |        |
|             |                |     |          | appd                                  | <i>S. Shoupe</i> 10/20/06        |                  |   |            |        |
| sheet index | revision sheet | B   | 1        |                                       |                                  |                  |   |            | Rev. B |

RECOMMENDED CABLE (CIC)

n : NO. OF CONDUCTOR



| PT. NO. | PARTS NAME      | MATERIAL                        | THICKNESS (μm) |     |
|---------|-----------------|---------------------------------|----------------|-----|
| 1       | BASE FILM       | POLYESTER OR EQUAL              | 75             | 25  |
| 2       | CONDUCTOR       | CARBON PASTE OVER SILVER PASTE  | 10 MIN.        |     |
| 3       | OVERLAY         | POLYIMIDE OR POLYESTER OR EQUAL | —              |     |
| 4       | SUPPORTING TAPE | POLYESTER OR POLYIMIDE OR EQUAL | 188            | 250 |

NOTES

1. NO BURR AT EACH PORTION.
2. NO PEELING IN COMMON USE.
3. TOTAL THICKNESS LIMIT OF EACH MATERIAL (INCLUDING ADHESIVE AGENT) IS SPECIFIED.



FCIconnect.com

Copyright FCI.

|                            |  |                |  |                                       |  |                                  |  |                  |  |   |  |                   |  |
|----------------------------|--|----------------|--|---------------------------------------|--|----------------------------------|--|------------------|--|---|--|-------------------|--|
| mat'l. code                |  |                |  | surface 58<br>ISO 1302 ✓              |  | tolerance<br>ISO 406<br>ISO 1101 |  | projection<br>mm |  | product family<br>58SF                              |  | CODE<br>JP        |  |
| ltr ecn no dr date         |  |                |  | tolerances unless otherwise specified |  | angles linear                    |  | scale X          |  | title<br>RECOMMENDED CABLE<br>(CAT.No.SFW__S-6ST__) |  |                   |  |
| AA J04-0333 H.T Oct.13,'04 |  |                |  |                                       |  |                                  |  |                  |  | dwg no  |  | sheet 1 of 1 size |  |
| AB J06-0430 H.T 10/19/06   |  |                |  |                                       |  |                                  |  |                  |  | JSA 93904   |  | A4                |  |
|                            |  |                |  | dr                                    |  | 10/19/06                         |  | FCI              |  | type Product Customer Drawing                       |  |                   |  |
|                            |  |                |  | enr                                   |  | 10/19/06                         |  |                  |  |   |  |                   |  |
|                            |  |                |  | chr                                   |  | 10/19/06                         |  |                  |  |   |  |                   |  |
|                            |  |                |  | appd                                  |  | 10/20/06                         |  |                  |  |   |  |                   |  |
| sheet index                |  | revision sheet |  | AB 1                                  |  |                                  |  |                  |  |   |  | Rev. AB           |  |



Компания «ЭлектроПласт» предлагает заключение долгосрочных отношений при поставках импортных электронных компонентов на взаимовыгодных условиях!

Наши преимущества:

- Оперативные поставки широкого спектра электронных компонентов отечественного и импортного производства напрямую от производителей и с крупнейших мировых складов;
- Поставка более 17-ти миллионов наименований электронных компонентов;
- Поставка сложных, дефицитных, либо снятых с производства позиций;
- Оперативные сроки поставки под заказ (от 5 рабочих дней);
- Экспресс доставка в любую точку России;
- Техническая поддержка проекта, помощь в подборе аналогов, поставка прототипов;
- Система менеджмента качества сертифицирована по Международному стандарту ISO 9001;
- Лицензия ФСБ на осуществление работ с использованием сведений, составляющих государственную тайну;
- Поставка специализированных компонентов (Xilinx, Altera, Analog Devices, Intersil, Interpoint, Microsemi, Aeroflex, Peregrine, Syfer, Eurofarad, Texas Instrument, Miteq, Cobham, E2V, MA-COM, Hittite, Mini-Circuits, General Dynamics и др.);

Помимо этого, одним из направлений компании «ЭлектроПласт» является направление «Источники питания». Мы предлагаем Вам помощь Конструкторского отдела:

- Подбор оптимального решения, техническое обоснование при выборе компонента;
- Подбор аналогов;
- Консультации по применению компонента;
- Поставка образцов и прототипов;
- Техническая поддержка проекта;
- Защита от снятия компонента с производства.



#### Как с нами связаться

**Телефон:** 8 (812) 309 58 32 (многоканальный)

**Факс:** 8 (812) 320-02-42

**Электронная почта:** [org@eplast1.ru](mailto:org@eplast1.ru)

**Адрес:** 198099, г. Санкт-Петербург, ул. Калинина, дом 2, корпус 4, литера А.