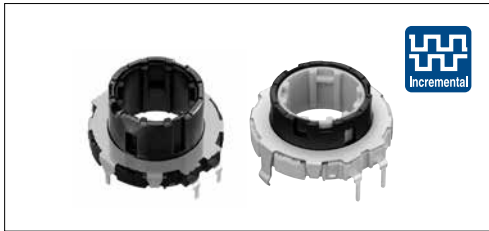


EC21A EC21C

21 mm Size Ring Type

Ring encoder with 4mm height contribute to space saving and multifunctioning



Typical Specifications

| Items | Specifications |
|-----------------------------|----------------|
| Rating | 10mA 5V DC |
| Operating life | 50,000 cycles |
| Operating temperature range | -40°C to +85°C |

Product Line

| Structure | Actuator length (mm) | Detent torque (mN·m) | Number of detent | Number of pulse | Minimum order unit (pcs.) | | Product No. | No. |
|-----------|----------------------|--|------------------|-----------------|---------------------------|--------|---------------------|-----|
| | | | | | Japan | Export | | |
| Dip | 9 | 7±5 | 30 | 15 | 600 | 1,200 | EC21A1540401 | 1 |
| | | 16±7 | | | | | EC21A1520401 | |
| | 15 | 12±5 | 18 | 9 | 240 | 480 | EC21A0920401 | 2 |
| | | | 30 | 15 | 600 | 1,200 | EC21A1520407 | 3 |
| Reflow | 12 | 17±8 (Initial), 12± $\frac{7}{4}$ (After reflow) | 30 | 15 | 640 | 640 | EC21A0950402 | 4 |
| | | | | | | | EC21C1520402 | 5 |

Packing Specifications

Tray

| Product No. | Number of packages (pcs.) | | Export package measurements (mm) |
|--|---------------------------|------------------------|----------------------------------|
| | 1 case /Japan | 1 case /export packing | |
| EC21A0920401 | 240 | 480 | 375×285×223 |
| EC21A1520401 EC21A1540401 | 600 | 1,200 | 508×364×192 |
| EC21A1520407 EC21A0950402 | 600 | 1,200 | 540×360×290 |
| EC21C | 640 | 640 | 400×310×185 |

Dimensions

Unit:mm


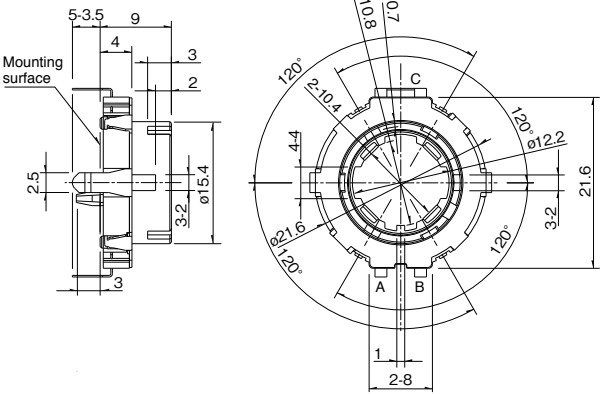
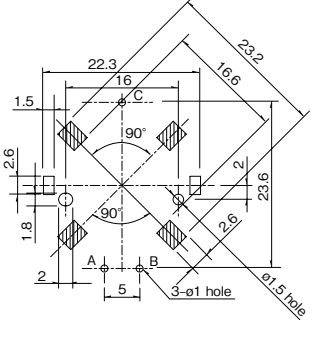

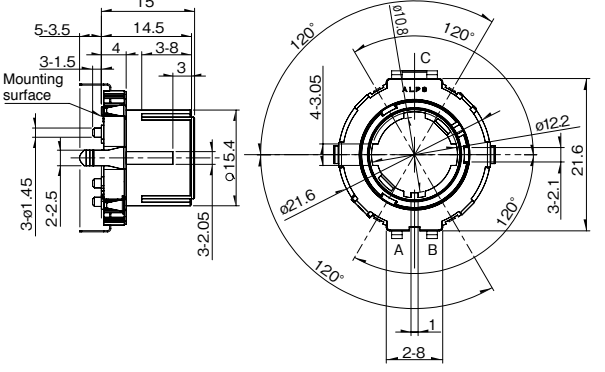
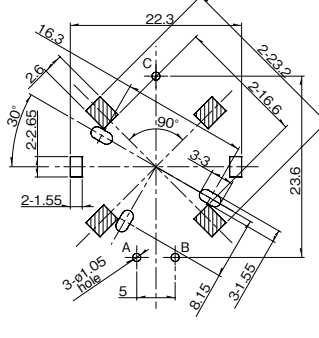

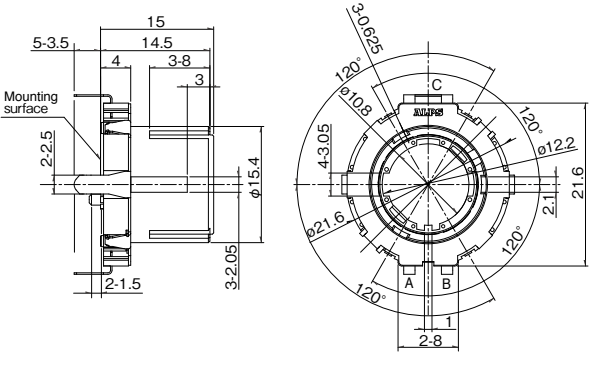
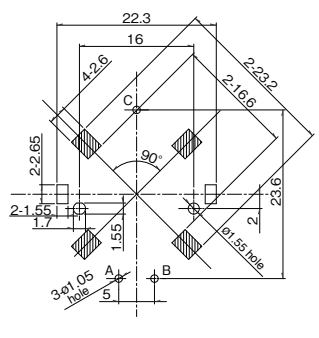

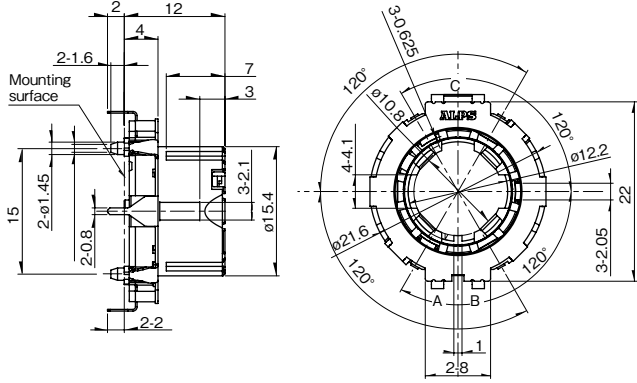
| No. | Photo | Style | PC board mounting hole dimensions (Viewed from mounting side) |
|-----|--|-------|---|
| 1 | <p>EC21A Actuator length 9mm 15 pulse/30 detent</p> | | <p>Shaded area: Wiring prohibited area</p> |

EC21A EC21C

21 mm Size Ring Type

Dimensions

Unit:mm

| No. | Photo | Style | PC board mounting hole dimensions (Viewed from mounting side) |
|-----|---|--|--|
| 2 | <p>EC21A Actuator length 9mm 9 pulse/18 detent</p>  |  |  <p>Shaded area: Wiring prohibited area</p> |
| 3 | <p>EC21A Actuator length 15mm 15 pulse/30 detent</p>  |  |  <p>Shaded area: Wiring prohibited area</p> |
| 4 | <p>EC21A Actuator length 15mm 9 pulse/18 detent</p>  |  |  <p>Shaded area: Wiring prohibited area</p> |
| 5 | <p>EC21C Reflow type Actuator length 12mm 15 pulse/30 detent</p>  |  | <p>Shaded area: Wiring prohibited area</p> |

Encoders

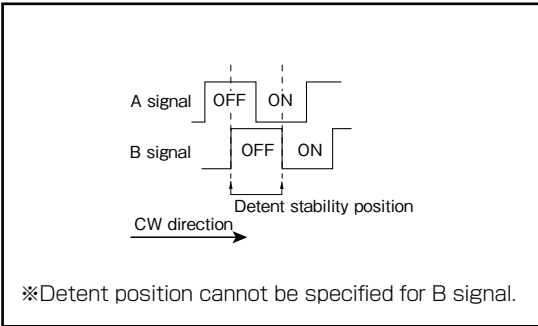
Metal Shaft

Insulated Shaft

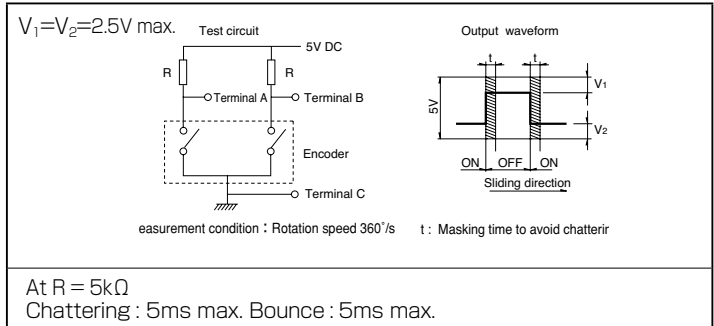
Through Shaft Type

Ring Type

■ Output Wave

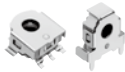









■ Sliding Noise



Encoders

List of Varieties

| Type | | Through shaft type | | | Ring type | | | |
|------------------------------------|--|---|---------------------|---|---|---|---|--|
| | | 5mm size | | 10mm size | 21mm size | | | |
| Series | | EC05E | | EC10E | EC21A | EC21C | | |
| Photo | |  | |  |  |  | | |
| Output | | Incremental (Two phase A and B) | | | | | | |
| Shaft types | | Through shaft | | | Ring type | | | |
| Operating direction | | Vertical | Horizontal | Horizontal | — | — | | |
| Number of pulse / Number of detent | | 12/12 | | 12/24 12/12 | 9/18 15/30 | 15/30 | | |
| Features | | Surface mount type | | — | — | — | | |
| Dimensions (mm) | | W | 5.7 | 7.5 | 9.8 | 21.6 | | |
| | | D | 6 | 3.3 | 4.4 | 21.6 | | |
| | | H | 2.7 | 7.25 | 10.6/12.6/14.6 | 4 | | |
| Operating temperature range | | -30°C to +85°C | | -5°C to +45°C -40°C to +85°C (For Automotive) | -40°C to +85°C | | | |
| Operating life | | 100,000 cycles | | | 50,000 cycles | | | |
| Automotive use | | — | ○ | ● | ● | ● | | |
| Life cycle (availability) | |  | |  |  |  | | |
| Electrical performance | | Rating | 0.55mA 5.5V DC | | 1mA 5V DC | 10mA 5V DC | | |
| | | Max./min. operating current (Resistive load) | 0.55mA / — | | — | 10mA / 1mA | | |
| | | Insulation resistance | 50MΩ min. 50V DC | | | | 100MΩ min. 250V DC | |
| | | Voltage proof | 50V AC for 1 minute | | | 300V AC for 1minute or 360V AC for 2s | 300V AC for 1minute or 360V AC for 1s | |
| Mechanical performance | | Rotational torque (Without detent) | — | — | — | — | | |
| | | Detent torque | 1.6±1.3mN·m | | 5±3mN·m 6±3mN·m | 7±5mN·m 12±5mN·m 16±7mN·m | 17±8mN·m (Initial) 12±4mN·m (After reflow) | |
| | | Push-pull strength | — | — | 100N | | | |
| Shaft configuration | | Through shaft | | | Ring type | | | |
| Terminal type | | Reflow | Insertion | | Insertion | | | |
| Switch Specifications | | Switch type | — | — | — | — | | |
| | | Contact arrangement | — | — | — | — | | |
| | | Travel (mm) | — | — | — | — | | |
| | | Operating force (N) | — | — | — | — | | |
| | | Rating | — | — | — | — | | |
| | | Contact resistance | — | — | — | — | | |
| | | Operating life | — | — | — | — | | |
| Page | | 282 | | 284 | 285 | | | |

| | |
|-------------------------------|-----|
| Encoders Soldering Conditions | 299 |
| Encoders Cautions | 300 |

Notes

- The operating temperature range for automotive applications can be raised upon Request. Please contact us for details.
- Indicates applicability to all products in the series, while ○ indicates applicability to some products in the series.

Reference for Manual Soldering

| Series | Tip temperature | Soldering time | No. of solders |
|---|-----------------|--------------------------------|----------------|
| EC05E, EC09E, EC10E, EC111, EC11B, EC11E, EC11G, EC11K, EC11M, EC11N, EC12D, EC12E, EC18A, EC21A, EC28A, EC35A, EC35AH, EC40A, EC45A, EC50A, EC60B, EM11B, EC21C, EC28C, EC35CH | 350°C max. | 3s max. | 1 time |
| EC11J | 350±10°C | 3 ⁺¹ ₀ s | 2 times |

Reference for Dip Soldering

| Series | Preheating | | Dip soldering | | No. of solders |
|--|-------------------------------|--------------|-----------------------|----------------|----------------|
| | Soldering surface temperature | Heating time | Soldering temperature | Soldering time | |
| EC09E, EC11B, EC111, EC11E, EC11G, EC11K, EC11M, EC11N, EC18A, EC21A, EC28A, EC35A, EC35AH, EC50A, EC60B | 100°C max. | 2 min. max. | 260±5°C | 5±1s | 2 times max. |
| EM11B | 100°C max. | 1 min. max. | 260°C max. | 3s max. | 2 times max. |
| EC10E, EC12D, EC12E | 100°C max. | 1 min. max. | 260±5°C | 3±1s | 2 times max. |
| EC40A | 110°C max. | 1 min. max. | 260°C max. | 10s max. | 1 time |
| EC45A | 100°C max. | 2 min. max. | 260°C max. | 5s max. | 2 times max. |

Example of Reflow Soldering Condition

Temperature profile



| Series | A | B | C | D | E | F | G | H | No. of reflows |
|---------------|----------------|------------|-------|-------|-------------|----|------------|-------------|----------------|
| EC11J | 260°C | 230°C | 180°C | 150°C | 2 min. max. | 3s | 40s | 4 min. max. | 2 times max. |
| EC05E | 250°C min. | 230°C min. | 180°C | 150°C | 60s to 120s | — | 30s to 40s | — | 2 times max. |
| EC21C | 230°C to 245°C | 220°C | 200°C | 150°C | 60s to 120s | — | 25s to 60s | 300s max. | 1 time max. |
| EC28C, EC35CH | 260°C | 230°C | 180°C | 150°C | 2 min. min. | 3s | 40s | 230s max. | 1 time max. |

Notes

- When using an infrared reflow oven, solder may sometimes not be applied. Be sure to use a hot air reflow oven or a type that uses infrared rays in combination with hot air.
- The temperatures given above are the maximum temperatures at the terminals of the encoder when employing a hot air reflow method. The temperature of the PC board and the surface temperature of the encoder may vary greatly depending on the PC board material, its size and thickness. Ensure that the surface temperature of the encoder does not rise to 250°C or greater.
- Conditions vary to some extent depending on the type of reflow bath used. Be sure to give due consideration to this prior to use.



Компания «ЭлектроПласт» предлагает заключение долгосрочных отношений при поставках импортных электронных компонентов на взаимовыгодных условиях!

Наши преимущества:

- Оперативные поставки широкого спектра электронных компонентов отечественного и импортного производства напрямую от производителей и с крупнейших мировых складов;
- Поставка более 17-ти миллионов наименований электронных компонентов;
- Поставка сложных, дефицитных, либо снятых с производства позиций;
- Оперативные сроки поставки под заказ (от 5 рабочих дней);
- Экспресс доставка в любую точку России;
- Техническая поддержка проекта, помощь в подборе аналогов, поставка прототипов;
- Система менеджмента качества сертифицирована по Международному стандарту ISO 9001;
- Лицензия ФСБ на осуществление работ с использованием сведений, составляющих государственную тайну;
- Поставка специализированных компонентов (Xilinx, Altera, Analog Devices, Intersil, Interpoint, Microsemi, Aeroflex, Peregrine, Syfer, Eurofarad, Texas Instrument, Miteq, Cobham, E2V, MA-COM, Hittite, Mini-Circuits, General Dynamics и др.);

Помимо этого, одним из направлений компании «ЭлектроПласт» является направление «Источники питания». Мы предлагаем Вам помощь Конструкторского отдела:

- Подбор оптимального решения, техническое обоснование при выборе компонента;
- Подбор аналогов;
- Консультации по применению компонента;
- Поставка образцов и прототипов;
- Техническая поддержка проекта;
- Защита от снятия компонента с производства.



Как с нами связаться

Телефон: 8 (812) 309 58 32 (многоканальный)

Факс: 8 (812) 320-02-42

Электронная почта: org@eplast1.ru

Адрес: 198099, г. Санкт-Петербург, ул. Калинина, дом 2, корпус 4, литера А.