

Product Specification

DWDM 2.7G SFP Transceiver

FWLF1632xx

PRODUCT FEATURES

- Hot-pluggable SFP footprint
- Up to 2.7 Gb/s data rates
- 100GHz DWDM ITU Grid, C-Band
- Low dispersion DFB laser with 120km reach performance
- Extended link budget with APD receiver technology
- -5°C to 70°C operating case temp.
- Wavelength controlled within $\pm 0.1\text{nm}$ over life and temperature



APPLICATIONS

- Amplified DWDM & SONET networks
- Bandwidth aggregation
- Ring topologies with fixed and reconfigurable OADMs

Finisar's FWLF1632xx transceivers are Small Form Factor Pluggable¹ SFP transceivers designed for use in Dense Wavelength-Division Multiplexing (DWDM) links, for up to 120km link lengths and up to 2.7G bit rates.

The FWLF1632xx SFP transceivers are designed for service providers deploying SONET² and DWDM networking equipment in metropolitan access and core networks, and they are also compatible to Gigabit Ethernet data rate.

The optical transceiver is compliant per the RoHS Directive 2011/65/EU. See Finisar Application Note AN-2038 for more details.^{3,4} Basic digital diagnostic features are implemented as described in Finisar Application Note AN-2030⁵. Enhanced diagnostic features are available as described in the DWDM SFP MSA⁶.

PRODUCT SELECTION

FWLF1632xx

xx: 100GHz ITU Grid channel/wavelength
(please see also next page)

Ordering Information

| Product Code | Frequency (THz) | Center Wavelength (nm) |
|---------------------|------------------------|-------------------------------|
| FWLF163217 | 191.7 | 1563.86 |
| FWLF163218 | 191.8 | 1563.05 |
| FWLF163219 | 191.9 | 1562.23 |
| FWLF163220 | 192.0 | 1561.42 |
| FWLF163221 | 192.1 | 1560.61 |
| FWLF163222 | 192.2 | 1559.79 |
| FWLF163223 | 192.3 | 1558.98 |
| FWLF163224 | 192.4 | 1558.17 |
| FWLF163225 | 192.5 | 1557.36 |
| FWLF163226 | 192.6 | 1556.55 |
| FWLF163227 | 192.7 | 1555.75 |
| FWLF163228 | 192.8 | 1554.94 |
| FWLF163229 | 192.9 | 1554.13 |
| FWLF163230 | 193.0 | 1553.33 |
| FWLF163231 | 193.1 | 1552.52 |
| FWLF163232 | 193.2 | 1551.72 |
| FWLF163233 | 193.3 | 1550.92 |
| FWLF163234 | 193.4 | 1550.12 |
| FWLF163235 | 193.5 | 1549.32 |
| FWLF163236 | 193.6 | 1548.51 |
| FWLF163237 | 193.7 | 1547.72 |
| FWLF163238 | 193.8 | 1546.92 |
| FWLF163239 | 193.9 | 1546.12 |
| FWLF163240 | 194.0 | 1545.32 |
| FWLF163241 | 194.1 | 1544.53 |
| FWLF163242 | 194.2 | 1543.73 |
| FWLF163243 | 194.3 | 1542.94 |
| FWLF163244 | 194.4 | 1542.14 |
| FWLF163245 | 194.5 | 1541.35 |
| FWLF163246 | 194.6 | 1540.56 |
| FWLF163247 | 194.7 | 1539.77 |
| FWLF163248 | 194.8 | 1538.98 |
| FWLF163249 | 194.9 | 1538.19 |
| FWLF163250 | 195.0 | 1537.40 |
| FWLF163251 | 195.1 | 1536.61 |
| FWLF163252 | 195.2 | 1535.82 |
| FWLF163253 | 195.3 | 1535.04 |
| FWLF163254 | 195.4 | 1534.25 |
| FWLF163255 | 195.5 | 1533.47 |
| FWLF163256 | 195.6 | 1532.68 |
| FWLF163257 | 195.7 | 1531.90 |
| FWLF163258 | 195.8 | 1531.12 |
| FWLF163259 | 195.9 | 1530.33 |
| FWLF163260 | 196.0 | 1529.55 |
| FWLF163261 | 196.1 | 1528.77 |

I. Pin Descriptions

| Pin | Symbol | Name/Description | Ref. |
|-----|--------------------|--|------|
| 1 | V _{EET} | Transmitter Ground (Common with Receiver Ground) | 1 |
| 2 | T _{FAULT} | Transmitter Fault | |
| 3 | T _{DIS} | Transmitter Disable. Laser output disabled on high or open | 2 |
| 4 | MOD_DEF(2) | Module Definition 2. Data line for Serial ID | 3 |
| 5 | MOD_DEF(1) | Module Definition 1. Clock line for Serial ID | 3 |
| 6 | MOD_DEF(0) | Module Definition 0. Grounded within the module | 3 |
| 7 | Rate Select | No connection required | 4 |
| 8 | LOS | Loss of Signal indication. Logic 0 indicates normal operation | 5 |
| 9 | V _{EER} | Receiver Ground (Common with Transmitter Ground) | 1 |
| 10 | V _{EER} | Receiver Ground (Common with Transmitter Ground) | 1 |
| 11 | V _{EER} | Receiver Ground (Common with Transmitter Ground) | 1 |
| 12 | RD- | Receiver Inverted DATA out. AC Coupled | |
| 13 | RD+ | Receiver Non-inverted DATA out. AC Coupled | |
| 14 | V _{EER} | Receiver Ground (Common with Transmitter Ground) | 1 |
| 15 | V _{CCR} | Receiver Power Supply | |
| 16 | V _{CCT} | Transmitter Power Supply | |
| 17 | V _{EET} | Transmitter Ground (Common with Receiver Ground) | 1 |
| 18 | TD+ | Transmitter Non-Inverted DATA in. 100 ohm termination between TD+ and TD-, AC Coupled thereafter | |
| 19 | TD- | Transmitter Inverted DATA in. See TD+ | |
| 20 | V _{EET} | Transmitter Ground (Common with Receiver Ground) | 1 |

Notes:

1. Circuit ground is internally isolated from chassis ground.
2. Laser output disabled on T_{DIS} >2.0V or open, enabled on T_{DIS} <0.8V.
3. Should be pulled up with 4.7k – 10kohms on host board to a voltage between 2.0V and 5.5V. MOD_DEF(0) pulls line low to indicate module is plugged in.
4. Receiver achieves multi-rate operation without active control.
5. LOS is open collector output. Should be pulled up with 4.7k – 10kohms on host board to a voltage between 2.0V and 5.5V. Logic 0 indicates normal operation; logic 1 indicates loss of signal.



II. Absolute Maximum Ratings

| Parameter | Symbol | Min | Typ | Max | Unit |
|----------------------------|-----------------|------|-----|-----|------|
| Maximum Supply Voltage | V _{CC} | -0.5 | | 4.7 | V |
| Storage Temperature | T _S | -40 | | 85 | °C |
| Case Operating Temperature | T _{OP} | -5 | | 70 | °C |

III. Electrical Characteristics (T_{OP} = -5 to 70 °C, V_{CC} = 3.13 to 3.50 Volts)

| Parameter | Symbol | Min | Typ | Max | Unit | Ref. |
|--------------------------------|------------------------|-----------------------|------|-----------------------|------|------|
| Supply Voltage | V _{CC} | 3.13 | 3.30 | 3.50 | V | |
| Supply Current | I _{CC} | | | 380 | mA | |
| Inrush Current | I _{surge} | | | I _{CC} +30 | mA | |
| Maximum Power | P _{max} | | | 1.3 | W | |
| TRANSMITTER | | | | | | |
| Input differential impedance | R _{in} | | 100 | | Ω | 1 |
| Single ended data input swing | V _{in,pp} | 250 | | 1200 | mV | |
| Transmit Disable Voltage | V _D | V _{CC} - 1.3 | | V _{CC} | V | |
| Transmit Enable Voltage | V _{EN} | V _{EE} | | V _{EE} + 0.8 | V | 2 |
| RECEIVER | | | | | | |
| Single ended data output swing | V _{out,pp} | 175 | | 1000 | mV | 3 |
| Data output rise time | t _r | | | 150 | ps | 4 |
| Data output fall time | t _f | | | 150 | ps | 4 |
| LOS Fault | V _{LOS fault} | V _{CC} - 0.5 | | V _{CCHOST} | V | 5 |
| LOS Normal | V _{LOS norm} | V _{EE} | | V _{EE} +0.5 | V | 5 |
| Power Supply Rejection | PSR | 100 | | | mVpp | 6 |

Notes:

1. Connected directly to TX data input pins. AC coupled thereafter.
2. Or open circuit.
3. Into 100 ohms differential termination.
4. 20 – 80 %
5. Loss of signal (LOS) is LVTTTL. Logic 0 indicates normal operation; logic 1 indicates no signal detected.
6. Receiver sensitivity is compliant with power supply sinusoidal modulation of 20 Hz to 1.5 MHz up to specified value applied through the recommended power supply filtering network.

IV. Low Speed Signals

| Parameter | Symbol | Min | Typ | Max | Units | Notes/Conditions |
|------------------------|------------|------|-----|------|-------|--|
| RX_LOS Assert Level | | -42 | -36 | | dBm | |
| RX_LOS Deassert Level | | | -34 | -32 | dBm | |
| RX_LOS Hysteresis | | 0.5 | 2 | | dB | |
| RX_LOS Assert Delay | t_loss_on | | | 100 | μsec | From detection of loss of signal to assertion of RX_LOS |
| RX_LOS Negate Delay | t_loss_off | | | 100 | μsec | From detection of presence of signal to negation of RX_LOS |
| TX_DISABLE Assert Time | t_off | | | 10 | μsec | Rising edge of TX_DISABLE to fall of output signal below 10% of nominal |
| TX_DISABLE Negate Time | t_on | | | 20 | ms | Falling edge of TX_DISABLE to rise of output signal above 90% of nominal. Time indicated is under steady-state temperature conditions. |
| TX_DISABLE Reset Time | t_reset | 10 | | | μsec | TX_DISABLE HIGH before TX_DISABLE set LOW |
| TX_FAULT Assert | | -0.2 | | +0.2 | nm | TX_Fault will assert before the device is outside of specified wavelength range |

V. Optical Parameters

| Parameter | Symbol | Min | Typ | Max | Units | Notes/Conditions |
|---|----------------------|---------|-----|---------|-------|--|
| TRANSMITTER CHARACTERISTICS | | | | | | |
| Center Wavelength Spacing | | | 100 | | GHz | Corresponds to approximately 0.8 nm |
| Modulated Spectral Width | $\Delta\lambda_{20}$ | | 0.2 | 0.3 | nm | Full width, -20dB from max. See note 3 |
| Transmitter Center Wavelength – End of Life | λ_c | X - 100 | X | X + 100 | pm | X = specified ITU center wavelength |
| Transmitter Center Wavelength – Start of Life | λ_c | Y - 50 | Y | Y + 50 | pm | Y = specified BOL center wavelength |
| Side Mode Suppression Ratio (SMSR) | SMSR | 30 | | | dB | Modulated |
| Optical Rise/Fall Time | t_r / t_f | | | 160 | ps | Unfiltered, 80% -20% |
| Transmitter Optical Output Power | P_{out} | 0 | | +4 | dBm | Average power coupled into single mode fiber |
| Transmitter Extinction Ratio | OMI | 8.2 | | | dB | |
| Transmitter Eye Opening | | 10 | | | % | OC-48 eye mask margin |
| Transmitter Jitter (peak to peak) | | | | 75 | mUI | Parameter per GR-253 ² section 5.6 for OC-48 B |
| Tolerable Back Reflection | BR | | | -14 | dB | See note 4 |
| Relative Intensity Noise | RIN | | | -120 | dB/Hz | |
| Dispersion Power Penalty at 2400ps/nm | DPP | | | 3.0 | dB | See Note 5 |
| RECEIVER CHARACTERISTICS | | | | | | |
| Optical Input Wavelength | P_{in} | 1520 | | 1570 | nm | |
| Receiver Jitter Generation | | | | 75 | mUI | Parameters per GR-253 ² section 5.6 for OC-48 B |
| Optical Input Power (BER < 10 ⁻¹²) | P_{in} | -28 | | -9 | dBm | 2.5 Gb/s w/ PRBS 2 ²³ -1 |
| Optical Input Power – Receiver Damage Threshold | | | | +6 | dBm | |
| Receiver Reflectance | R_{RX} | | | -27 | dB | |
| Dispersion Noise Penalty at 2400ps/nm | DNP | | | 3.0 | dB | See Note 6 |

Notes:

- Parameters are specified over temperature and voltage, at end of life unless otherwise noted.
- All parameters are measured on a Finisar SFP Evaluation Card unless otherwise noted.
- For accurate $\Delta\lambda_{20}$ measurements, an OSA with a resolution band width of ≤ 20 pm is recommended.
- Tolerable back reflection is the max back reflection level at which the power penalty will be <1dB.
- Dispersion power penalty is measured in loop back with OSNR set to 28 dB. Data rate and pattern used same as specified for Optical Input Power. Dispersion power penalty is the difference in Rx power at a BER of 10⁻¹² for 0ps/nm and 2400ps/nm.
- Dispersion noise penalty is measured in loop back with Rx power set between -9dBm and -22dBm. Data rate and pattern used same as specified for Optical Input Power. Dispersion noise penalty is the difference in OSNR at a BER of 10⁻¹² for 0ps/nm and 2400ps/nm.

VI. Wavelength Stabilization

The laser transmitter will not be turned on until its temperature is adjusted to ensure operation within the specified channel ($X \pm 300\text{pm}$). This temperature stabilization time is dependent on the ambient temperature conditions, but will typically occur within 5 seconds of powering the device. The module will transmit within the specified wavelength tolerance ($X \pm 100\text{pm}$) within 10 ms of transmitter operation.

VII. General Specifications

| Parameter | Symbol | Min | Typ | Max | Units | Notes/Conditions |
|-------------------|--------|-------|-----|-----|--------|---|
| Data Rate | BR | 0.155 | | 2.7 | Gb/sec | SONET OC-3/12/48 compatible |
| Total Link Budget | | 28 | 30 | | dB | @ 2.5 Gb/s, BER $<10^{-12}$ w/ PRBS $2^{23}-1$. See Note 1 |

Note 1: Total link budget is defined as $P_{\text{out}} - P_{\text{in}}$ - typical connector losses.

VIII. Environmental Specifications

| Parameter | Symbol | Min | Typ | Max | Units | Notes/Conditions |
|----------------|------------------|-----|-----|-----|--------------------|--|
| Operating Temp | T_{op} | -5 | | 70 | $^{\circ}\text{C}$ | Case temperature measured on top-side of device |
| Storage Temp | T_{sto} | -40 | | 85 | $^{\circ}\text{C}$ | Ambient temperature |
| Eye Safety | | | | | | CDRH and IEC-825 Class 1 Laser Product. See Note 1 |

Note 1: Complies with FDA performance standards for laser products except for deviations pursuant to Laser Notice No. 50, dated June 24, 2007.

IX. Serial Communication Protocol

Finisar SFPs support diagnostic features as described in Finisar Applications Note AN-2030⁴ and SFF-8472⁷, “Digital Diagnostic Monitoring Interface for Optical Transceivers”. A controller IC that monitors system parameters such as laser current, module temperature, transmitter power, and received power is accessible at address A2h. In addition, Finisar’s DWDM SFPs provide extended set of ID information and diagnostic features as described in the DWDM SFP MSA⁶.

2-wire serial communication clock speed, digital diagnostic accuracy and digital diagnostic range can be found in the table below. Values in the table represent the worst-case values over temperature, voltage, and life.

| Parameter | Symbol | Min | Max | Units | Notes/Conditions |
|---|---------------------------|-----|---------|-------|---|
| 2-wire serial communication clock speed | | 0 | 100,000 | Hz | Bus can be driven blind |
| Accuracy | | | | | |
| Transceiver Case Temperature | DD _{Temperature} | -10 | +10 | °C | Measured on the top-side of the module case |
| Transceiver Supply Voltage | DD _{Voltage} | -3 | +3 | % | |
| Tx Bias Current | DD _{Bias} | -10 | +10 | % | |
| Tx Output Power | DD _{TxPower} | -2 | +2 | dB | |
| Received Average Power | DD _{RxPower} | -2 | +2 | dB | |
| Range | | | | | |
| Transceiver Case Temperature | DD _{Temperature} | -40 | 85 | °C | |
| Transceiver Supply Voltage | DD _{Voltage} | 3.0 | 4.0 | V | |
| Tx Bias Current | DD _{Bias} | 0 | 90 | mA | |
| Tx Output Power | DD _{TxPower} | -5 | +10 | dBm | |
| Received Average Power | DD _{RxPower} | -30 | -7 | dBm | |

X. Mechanical Specifications

Finisar's Multi-rate DWDM Small Form Factor Pluggable (SFP) transceivers are compatible with the dimensions defined by the DWDM SFP Multi-Sourcing Agreement (MSA)⁶.

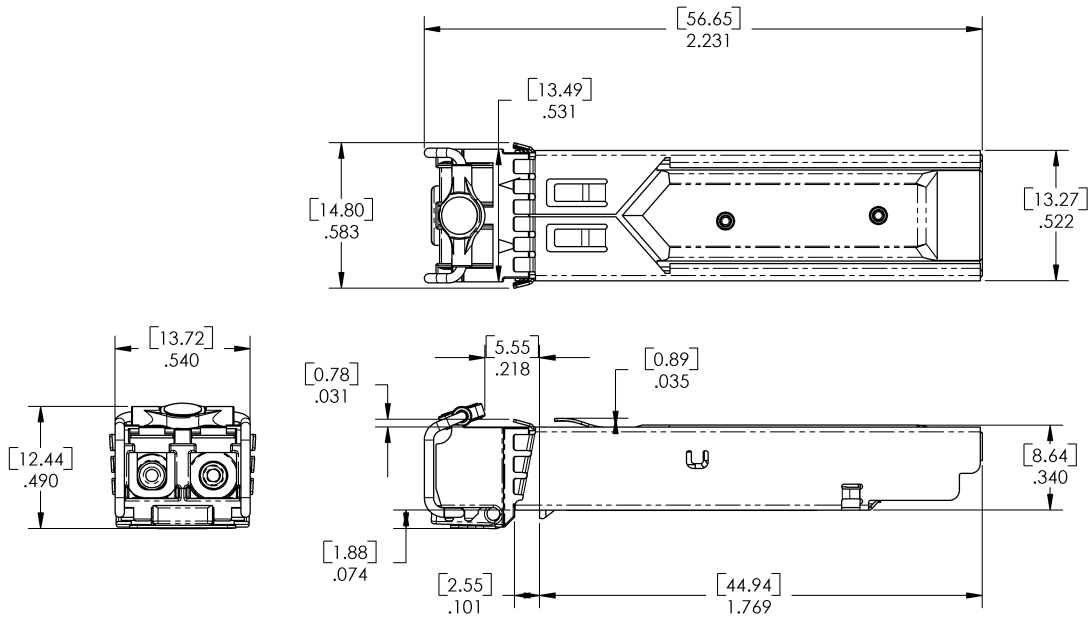


Figure 1. DWDM SFP Outline Drawing (units in inches [mm])

XI. References

1. Small Form Factor Pluggable (SFP) Transceiver Multi-Source Agreement (MSA), September 2000. Documentation is currently available from Finisar upon request.
2. “SONET Transport Systems: Common Generic Criteria”, Telcordia Technologies, GR-253-CORE, Issue 3, September 2000.
3. Directive 2011/65/EU of the European Council Parliament and of the Council, “on the restriction of the use of certain hazardous substances in electrical and electronic equipment”
4. “Application Note AN-2038: Finisar Implementation Of RoHS Compliant Transceivers”
5. “Application Note AN-2030: Digital Diagnostic Monitoring Interface for Optical Transceivers”, Finisar Corporation, April 2002.
6. Specifications for DWDM SFP Transceiver Draft 1.0.October 21 2005. Documentation is available from Finisar upon request.
7. “Digital Diagnostic Monitoring Interface For Optical Transceivers Rev 9.3”. SFF Document No. SFF-8472.

For More Information

Finisar Corporation
1389 Moffett Park Drive
Sunnyvale, CA 94089-1133
Tel. 1-408-548-1000
Fax 1-408-541-6138
sales@finisar.com
www.finisar.com



Компания «ЭлектроПласт» предлагает заключение долгосрочных отношений при поставках импортных электронных компонентов на взаимовыгодных условиях!

Наши преимущества:

- Оперативные поставки широкого спектра электронных компонентов отечественного и импортного производства напрямую от производителей и с крупнейших мировых складов;
- Поставка более 17-ти миллионов наименований электронных компонентов;
- Поставка сложных, дефицитных, либо снятых с производства позиций;
- Оперативные сроки поставки под заказ (от 5 рабочих дней);
- Экспресс доставка в любую точку России;
- Техническая поддержка проекта, помощь в подборе аналогов, поставка прототипов;
- Система менеджмента качества сертифицирована по Международному стандарту ISO 9001;
- Лицензия ФСБ на осуществление работ с использованием сведений, составляющих государственную тайну;
- Поставка специализированных компонентов (Xilinx, Altera, Analog Devices, Intersil, Interpoint, Microsemi, Aeroflex, Peregrine, Syfer, Eurofarad, Texas Instrument, Miteq, Cobham, E2V, MA-COM, Hittite, Mini-Circuits, General Dynamics и др.);

Помимо этого, одним из направлений компании «ЭлектроПласт» является направление «Источники питания». Мы предлагаем Вам помощь Конструкторского отдела:

- Подбор оптимального решения, техническое обоснование при выборе компонента;
- Подбор аналогов;
- Консультации по применению компонента;
- Поставка образцов и прототипов;
- Техническая поддержка проекта;
- Защита от снятия компонента с производства.



Как с нами связаться

Телефон: 8 (812) 309 58 32 (многоканальный)

Факс: 8 (812) 320-02-42

Электронная почта: org@eplast1.ru

Адрес: 198099, г. Санкт-Петербург, ул. Калинина, дом 2, корпус 4, литера А.