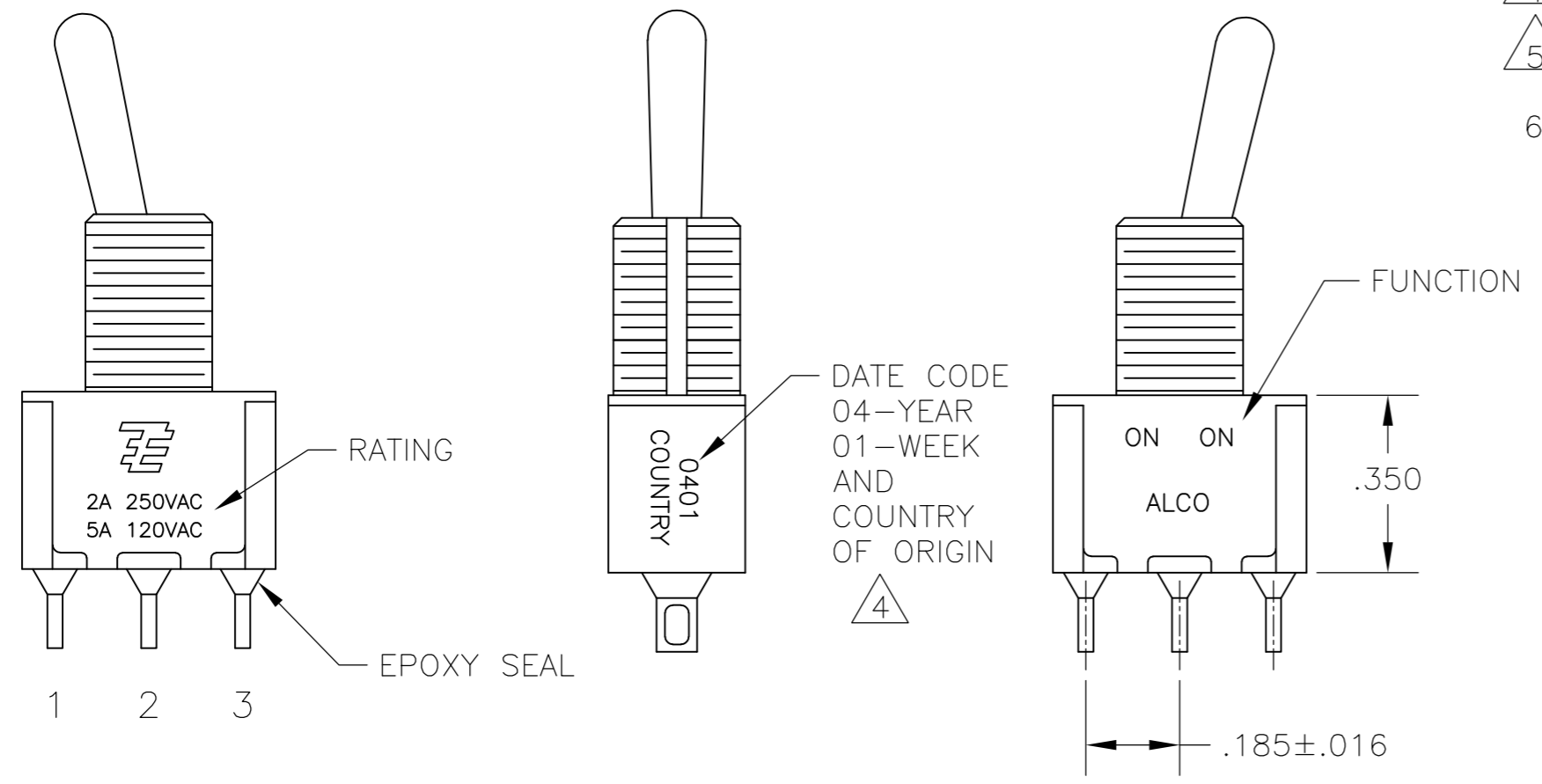
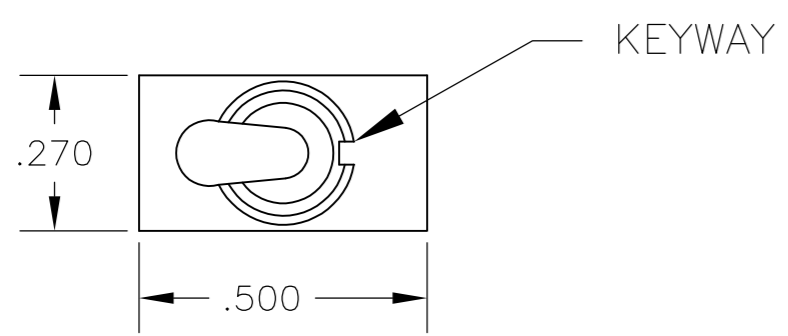


THIS DRAWING IS UNPUBLISHED. RELEASED FOR PUBLICATION
 © COPYRIGHT - By - ALL RIGHTS RESERVED.

| LOC | | DIST | | REVISIONS | | | |
|-----|----|------|-----|---------------------------|-----------|-----|------|
| AD | 00 | P | LTR | DESCRIPTION | DATE | DWN | APVD |
| | | A6 | | REVISED PER ECO-14-014809 | 30SEP2014 | NK | RH |



- 1 ALL MATERIALS AND FINISHES SHALL COMPLY WITH EU DIRECTIVE 2002/95/EC OF 27JAN2003 (ROHS).
- 2 EACH SWITCH WITH THREADED BUSHINGS SUPPLIED WITH THE FOLLWING MOUNTING HARDWARE:
 (2) HEX NUTS
 (1) INTERNAL TOOTH LOCKWASHER
 (1) LOCATING RING.
- 3 G CONTACT OPTION CAN BE USED FOR SIGNAL OR POWER LEVEL SWITCHING. IF SWITCH IS USED AT LEVELS EXCEEDING .4VA @ 20V AC/DC, SWITCH IS RENDERED FOR POWER SWITCHING ONLY DUE TO ARC REMOVAL OF GOLD PLATING. RATING MARKED ON FRAME IS 2A 250VAC, 5A 120VAC.
- 4 DATE CODE AND COUNTRY OF ORIGIN MAY APPEAR ON EITHER SIDE OF SWITCH.
- 5 LENGTH OF TOGGLE REDUCED BY .020 WITH A, AV2, V30 OR V40 VERTICAL SUPPORT BRACKET OPTIONS.
- 6 ALL LOGO, RATING, DATE CODE, AND FUNCTION MARKINGS TO BE LASER MARKED.

| FUNCTION | 1 2 3 | 1 2 3 | 1 2 3 |
|---------------------|-------|-------|-------|
| 01 | ON | NONE | ON |
| 08 | ON | NONE | (ON) |
| TERMINALS CONNECTED | 2-3 | --- | 1-2 |

None: No mechanical position
 Off: Mechanical position with no electrical connection
 (On): Momentary action

| | |
|---------------------------------|--|
| RATING, B CONTACTS | .4VA MAX @20V MAX. AC OR DC |
| RATING, G CONTACTS—SEE NOTE 3 | .4VA MAX @20V MAX. AC OR DC OR |
| | 5A @120 VAC OR 28 VDC (RESISTIVE) |
| RATING, Q CONTACTS | 2A @250 VAC (RESISTIVE) |
| | 5A @120 VAC OR 28 VDC (RESISTIVE) |
| ELECTRICAL LIFE | 6,000 CYCLES AT RATED LOAD |
| CONTACT RESISTANCE | 10 MILLIOHMS MAX INITIAL @ 2-4VDC, 100ma |
| INSULATION RESISTANCE | 1,000 MEGOHMS MIN |
| DIELECTRIC WITHSTANDING VOLTAGE | 1,000 V RMS AT SEA LEVEL |
| OPERATING TEMPRATURE | -30C TO 85C |

| MODEL | FUNCTION | TOGGLE | BUSHING | TERMINAL | CONTACT | RoHS |
|-------|----------|--------|---------|----------|---------|------|
| A1 | 01 | K | CW | A | B | 04 |
| | | K1 | D | AV2 | G | |
| | 08 | L | D9 | C | Q | |
| | | L1 | H | V30 | | |
| | | L2 | Y | V40 | | |
| | | M | Y9 | W | | |
| | | P3 | | W4 | | |
| | | S | | Z | | |
| | | T | | Z3 | | |
| | | T1 | | | | |

EXAMPLE: A101SYCQ04

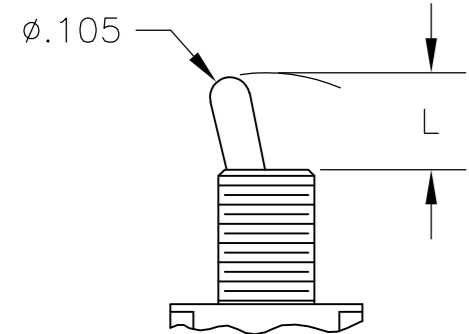
THIS DRAWING IS A CONTROLLED DOCUMENT.

| | | | |
|--------------------|--|----------------------------|--|
| DIMENSIONS: INCHES | TOLERANCES UNLESS OTHERWISE SPECIFIED: | DWN B.S.VISWESWARA 14APR05 | TE Connectivity |
| | | CHK M.ZITTO | |
| | | APVD P.BROUILLETTE | GEMINI A SERIES TOGGLE SWITCH, SINGLE POLE, 2 POSITION FUNCTIONS (01 & 08) |
| | | PRODUCT SPEC | |
| | | APPLICATION SPEC | SIZE A2 |
| MATERIAL | FINISH | WEIGHT | CAGE CODE 00779 |
| | | | DRAWING NO 1825136 |
| | | CUSTOMER DRAWING | RESTRICTED TO |
| | | | SCALE 3:1 SHEET 1 of 4 REV A6 |

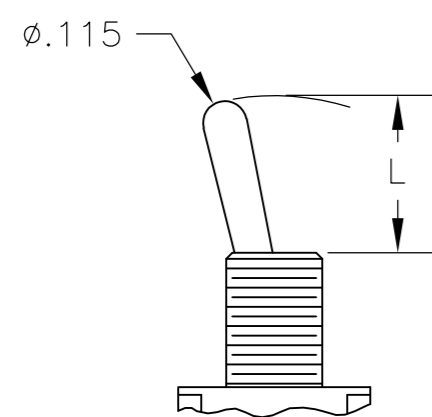
THIS DRAWING IS UNPUBLISHED. RELEASED FOR PUBLICATION
 © COPYRIGHT - By - ALL RIGHTS RESERVED.

| LOC | | DIST | | REVISIONS | | | |
|-----|-----|-------------|------|-----------|------|---|---|
| P | LTR | DESCRIPTION | DATE | DWN | APVD | | |
| - | - | SEE SHEET 1 | - | - | - | - | - |

TOGGLES

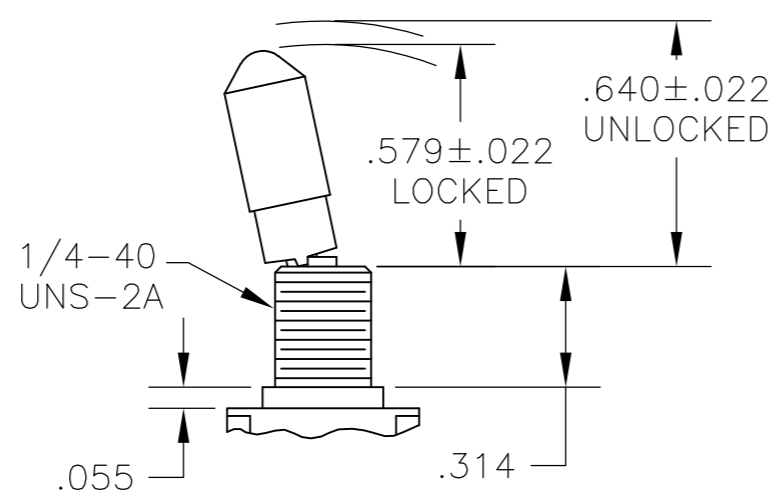


M SHORT

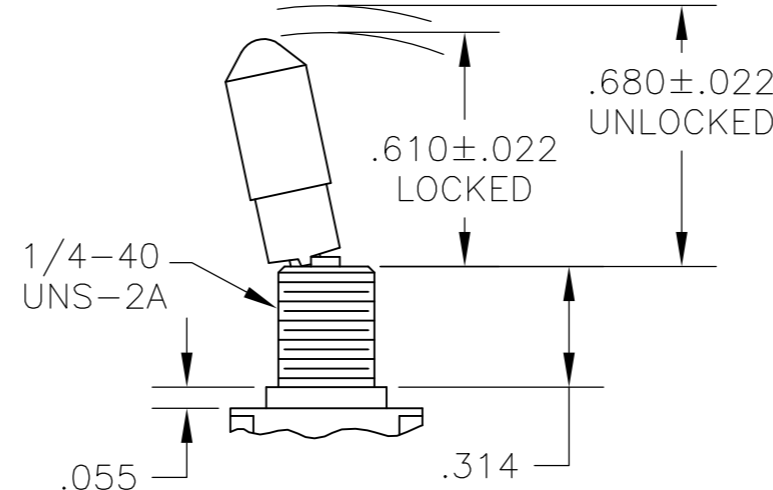


S STANDARD

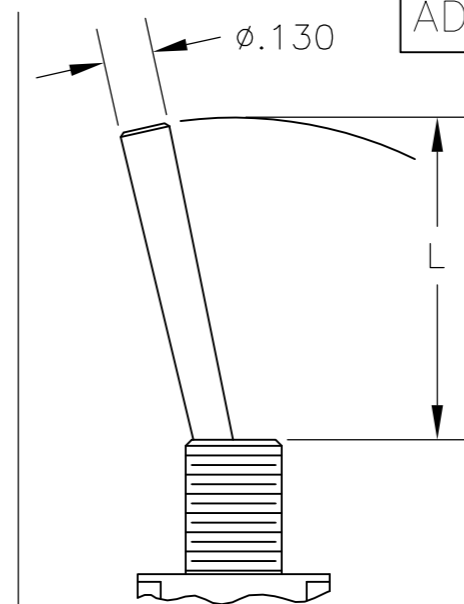
| DIM L | BUSHING TYPE | DIM L | BUSHING TYPE |
|-------|--------------|-------|--------------|
| .200 | Y, H | .410 | Y, H |
| .270 | D, D9 | .480 | D, D9 |



K NO BUSHING OPTION NEEDED

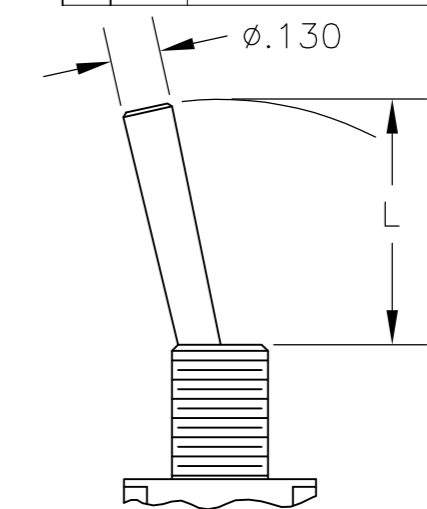


K1 NO BUSHING OPTION NEEDED



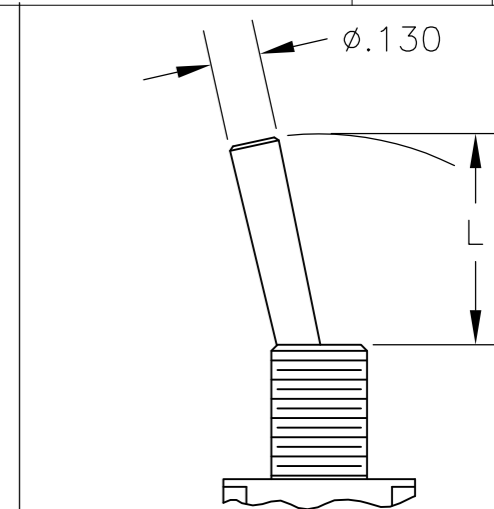
L LEVER

| DIM L | BUSHING TYPE |
|-------|--------------|
| .840 | Y, H |
| .910 | D, D9 |



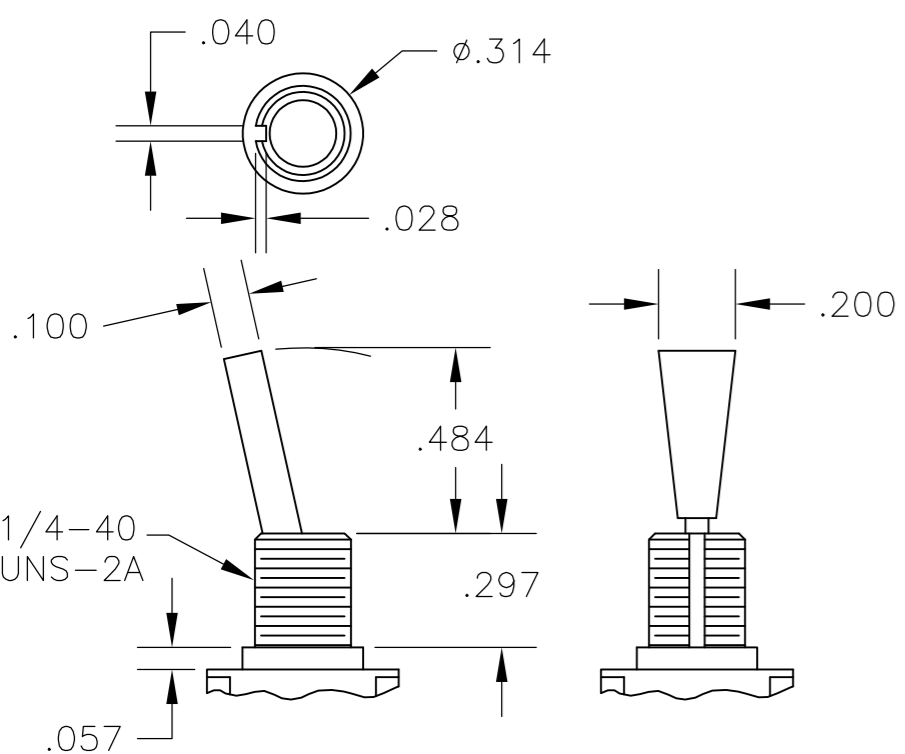
L1 LEVER

| DIM L | BUSHING TYPE |
|-------|--------------|
| .640 | Y, H |
| .710 | D, D9 |

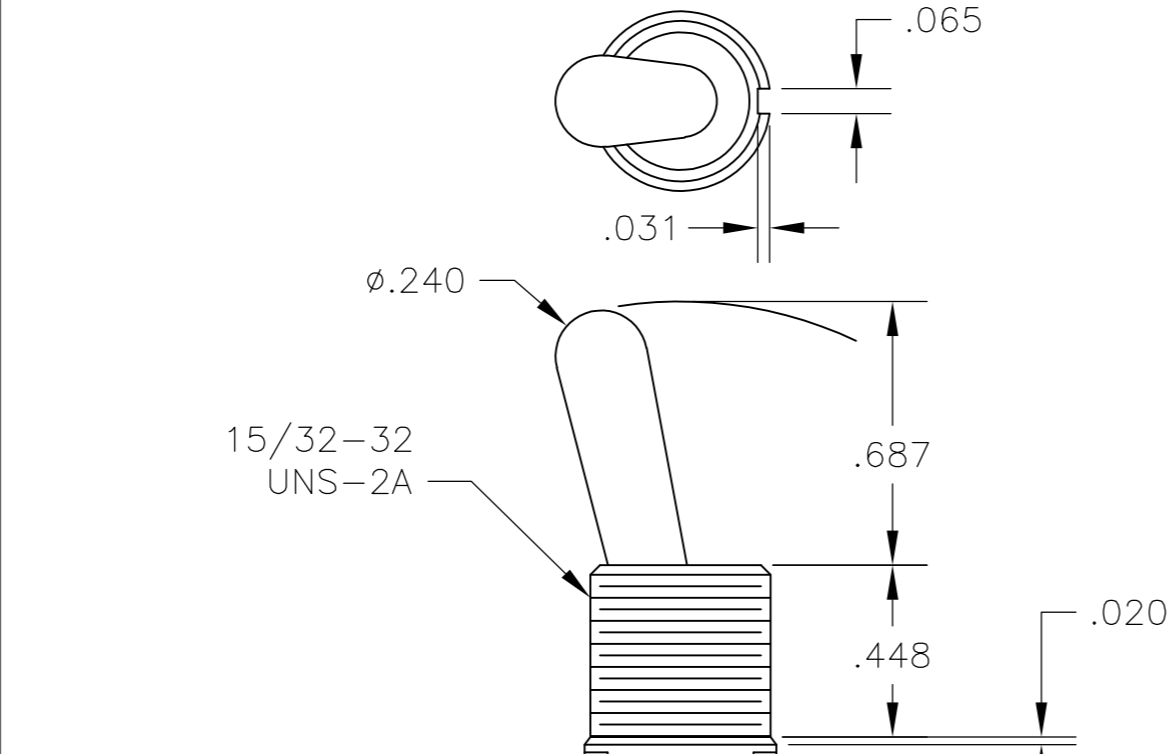


L2 LEVER

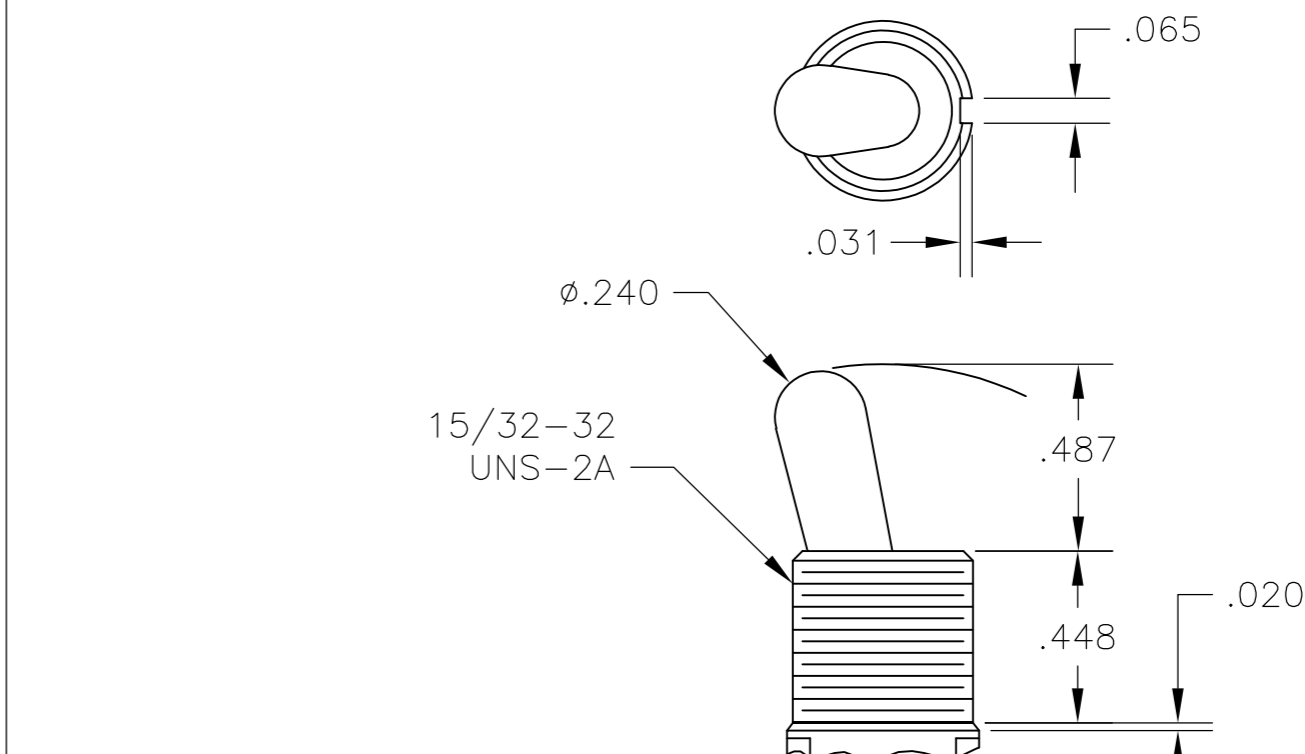
| DIM L | BUSHING TYPE |
|-------|--------------|
| .550 | Y, H |
| .620 | D, D9 |



P3 NO BUSHING OPTION NEEDED

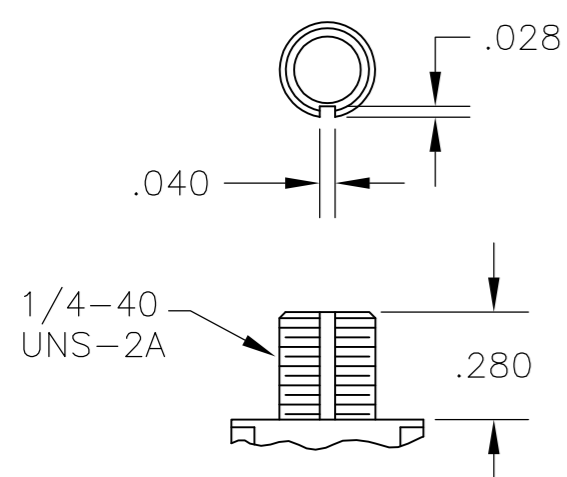


T NO BUSHING OPTION NEEDED



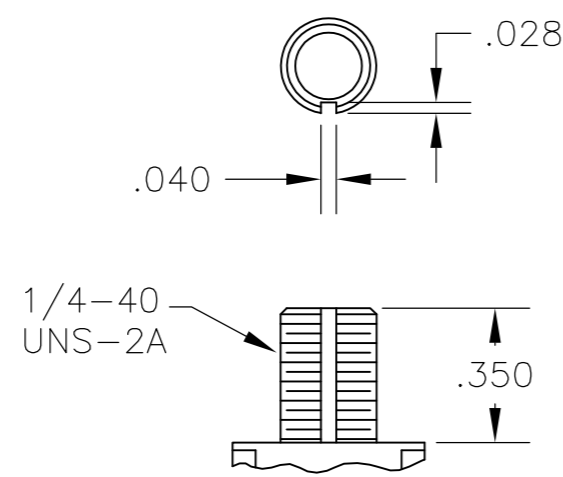
T1 NO BUSHING OPTION NEEDED

BUSHINGS



D THREADED

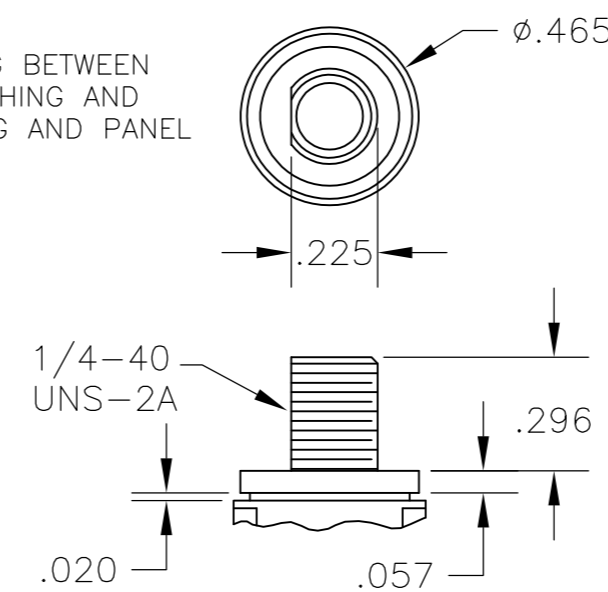
D9 UNTHREADED



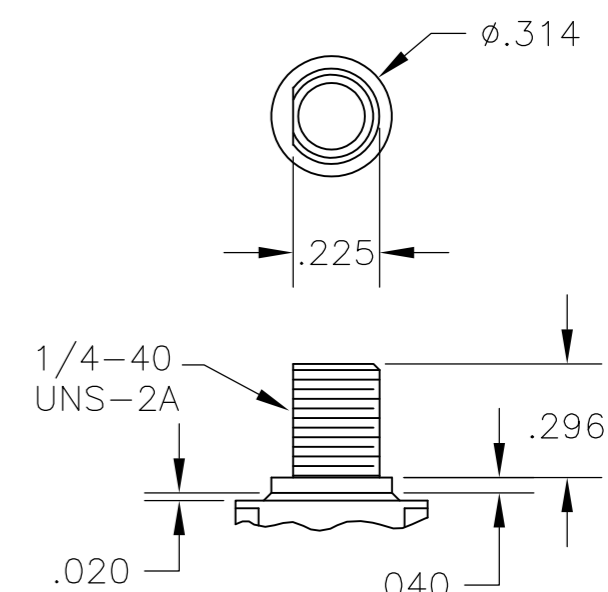
Y THREADED

Y9 UNTHREADED

CONTAINS O-RING BETWEEN TOGGLE AND BUSHING AND BETWEEN BUSHING AND PANEL



CW THREADED SPLASHPROOF

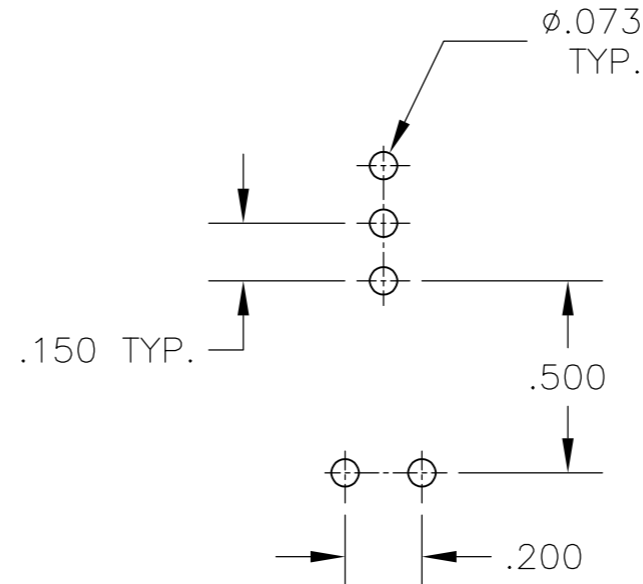
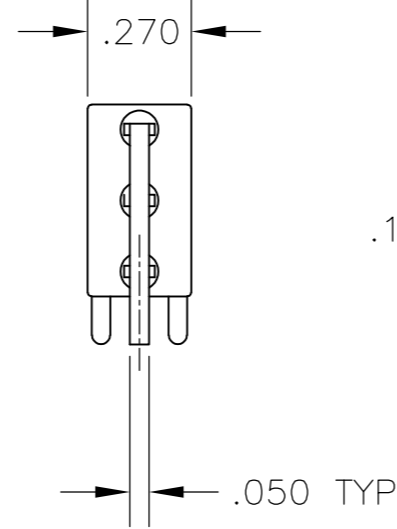
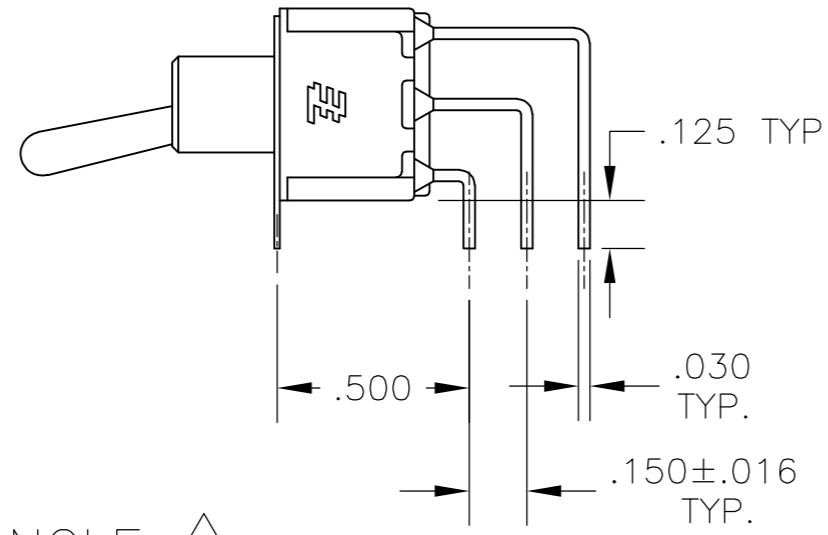
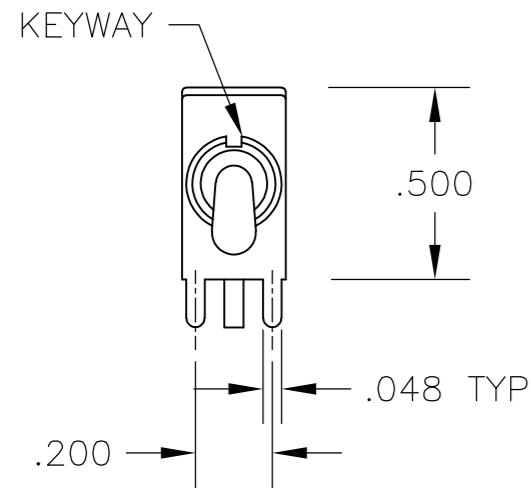


H HIGH TORQUE

| | | | | | | | |
|--|--------|------------------|----------------|---------|--|-----------|---------------|
| THIS DRAWING IS A CONTROLLED DOCUMENT. | | DWN | B.S.VISWESWARA | 14APR05 | TE Connectivity | | |
| DIMENSIONS: INCHES | | CHK | M.ZITTO | - | GEMINI A SERIES TOGGLE SWITCH, SINGLE POLE, 2 POSITION FUNCTIONS (01 & 08) | | |
| TOLERANCES UNLESS OTHERWISE SPECIFIED: | | APVD | P.BROUILLETTE | - | SIZE | CAGE CODE | DRAWING NO |
| 0 PLC | ± - | PRODUCT SPEC | - | A2 | 00779 | C=1825136 | RESTRICTED TO |
| 1 PLC | ± - | APPLICATION SPEC | - | SCALE | 2:1 | SHEET | 2 of 4 |
| 2 PLC | ± - | WEIGHT | - | REV | A6 | | |
| 3 PLC | ± .010 | CUSTOMER DRAWING | - | | | | |
| 4 PLC | ± - | | | | | | |
| ANGLES | ± 2° | | | | | | |
| FINISH | - | | | | | | |

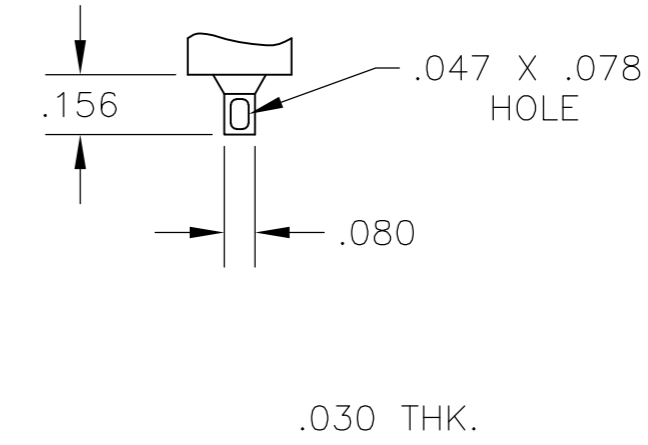
THIS DRAWING IS UNPUBLISHED. RELEASED FOR PUBLICATION
 © COPYRIGHT - By - ALL RIGHTS RESERVED.

| LOC | DIST | REVISIONS | | | |
|-----|------|-------------|------|-----|------|
| P | LTR | DESCRIPTION | DATE | DWN | APVD |
| AD | 00 | SEE SHEET 1 | - | - | - |



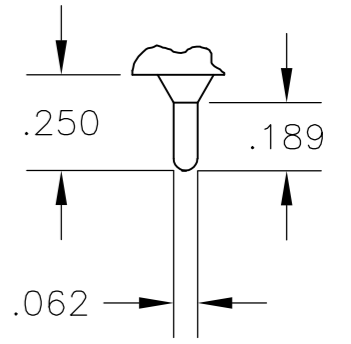
RECOMMENDED PCB LAYOUT

AV2 VERTICAL RIGHT ANGLE \triangle



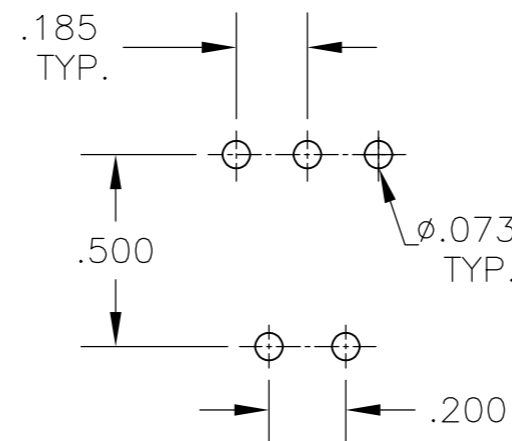
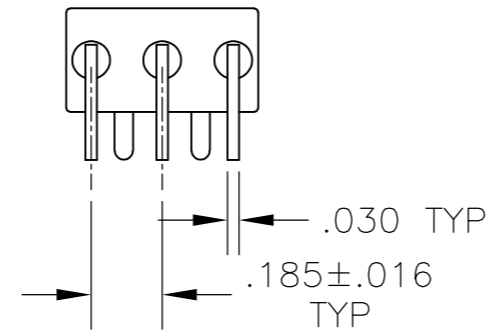
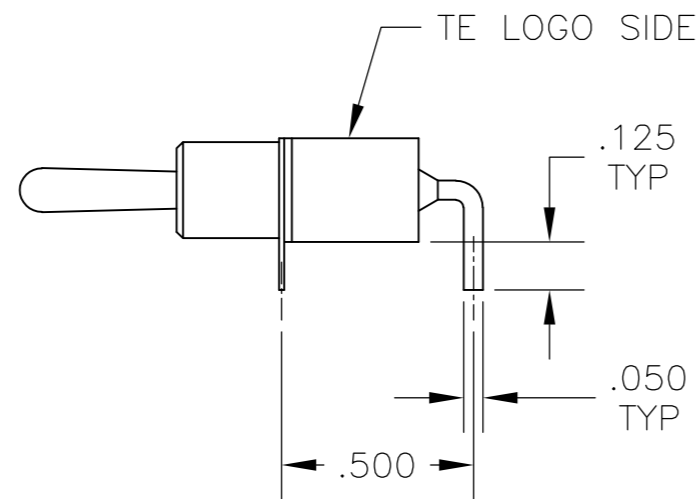
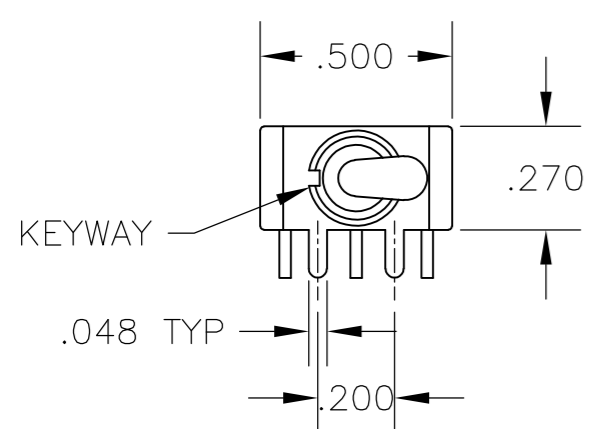
.030 THK.

Z WIRE LUG



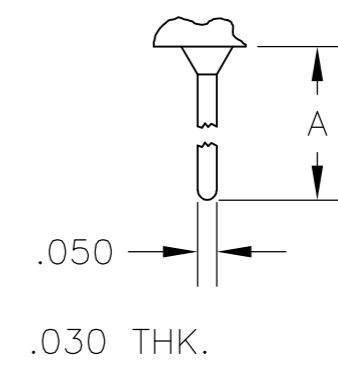
.030 THK.

Z3 QUICK CONNECT



RECOMMENDED PCB LAYOUT

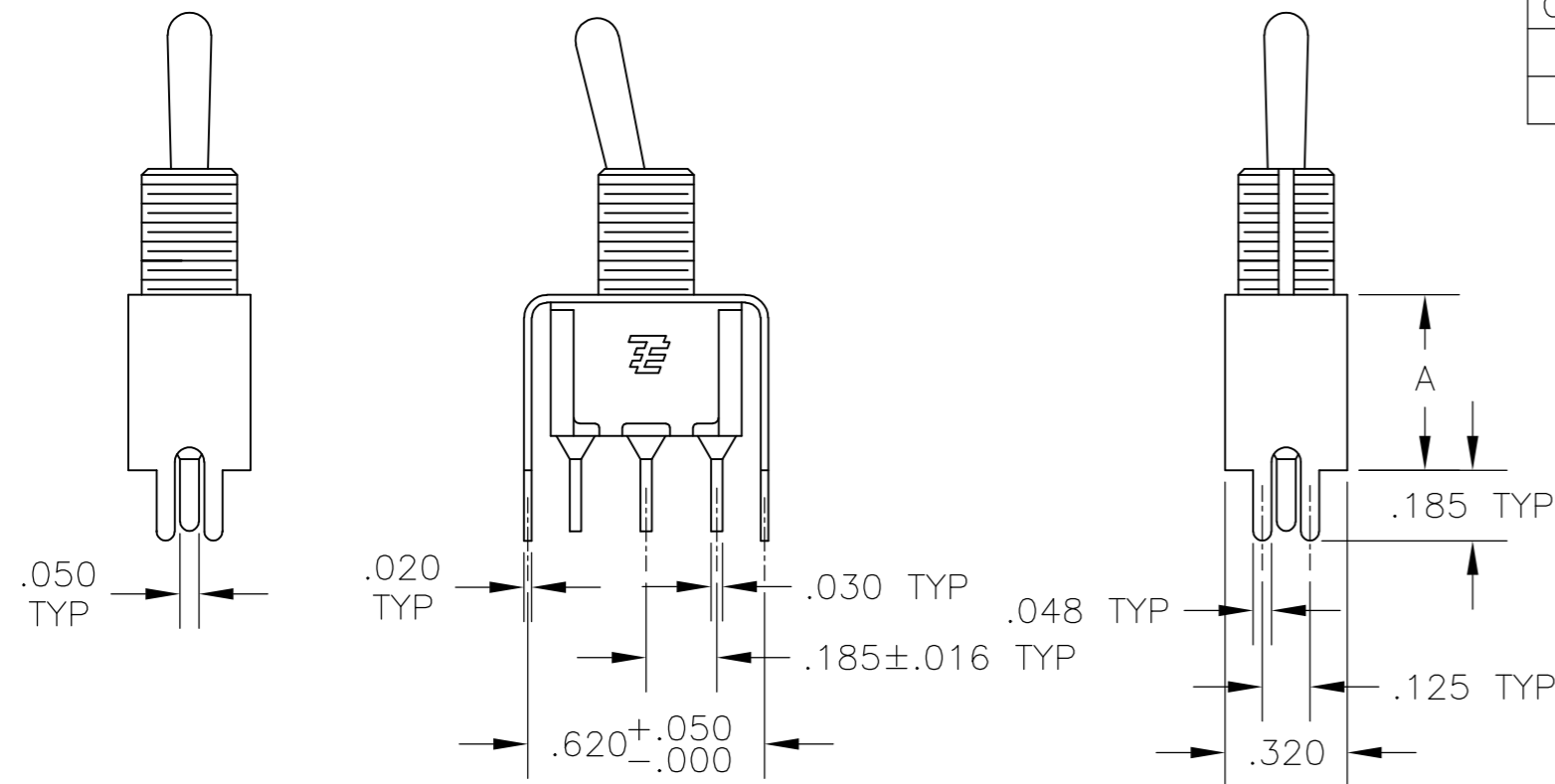
A RIGHT ANGLE \triangle



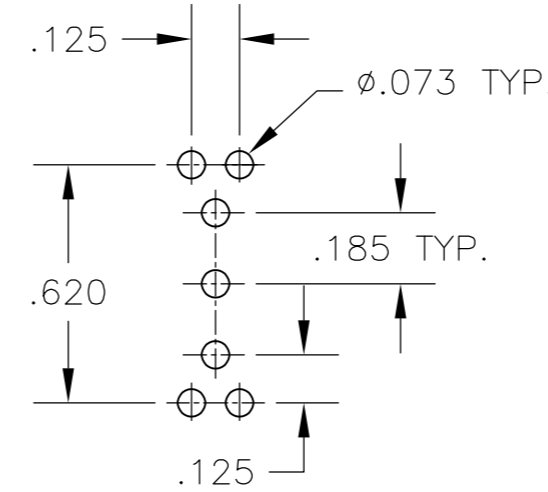
.030 THK.

W W4 WIRE WRAP

| OPTION | DIM A |
|--------|-------|
| W | .736 |
| W4 | 1.062 |



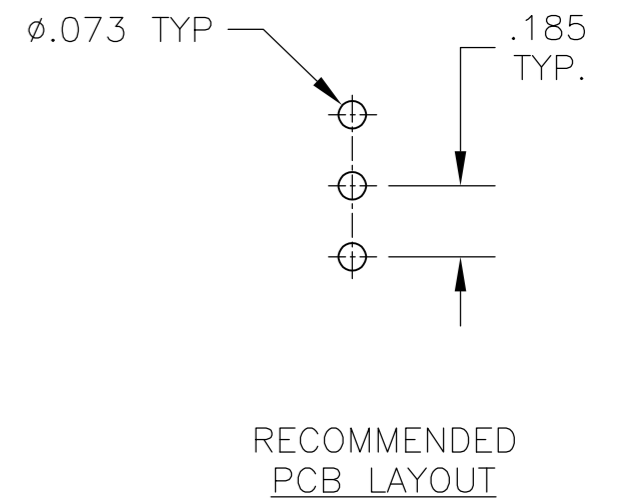
| OPTION | DIM A |
|--------|-------|
| V30 | .460 |
| V40 | .630 |



RECOMMENDED PCB LAYOUT

V30 V40 \triangle
 VERTICAL SUPPORT BRACKET

C PRINTED CIRCUIT



RECOMMENDED PCB LAYOUT

THIS DRAWING IS A CONTROLLED DOCUMENT.

| | | |
|------------------|----------------|---------|
| DWN | B.S.VISWESWARA | 14APR05 |
| CHK | M.ZITTO | - |
| APVD | P.BROUILLETTE | - |
| PRODUCT SPEC | - | - |
| APPLICATION SPEC | - | - |
| WEIGHT | - | - |
| CUSTOMER DRAWING | - | - |

| | | | | | | | |
|-------|-----|-----------|--------|------------|-----------|---------------|---|
| SIZE | A2 | CAGE CODE | 00779 | DRAWING NO | C=1825136 | RESTRICTED TO | - |
| SCALE | 2:1 | SHEET | 3 of 4 | REV | A6 | | |

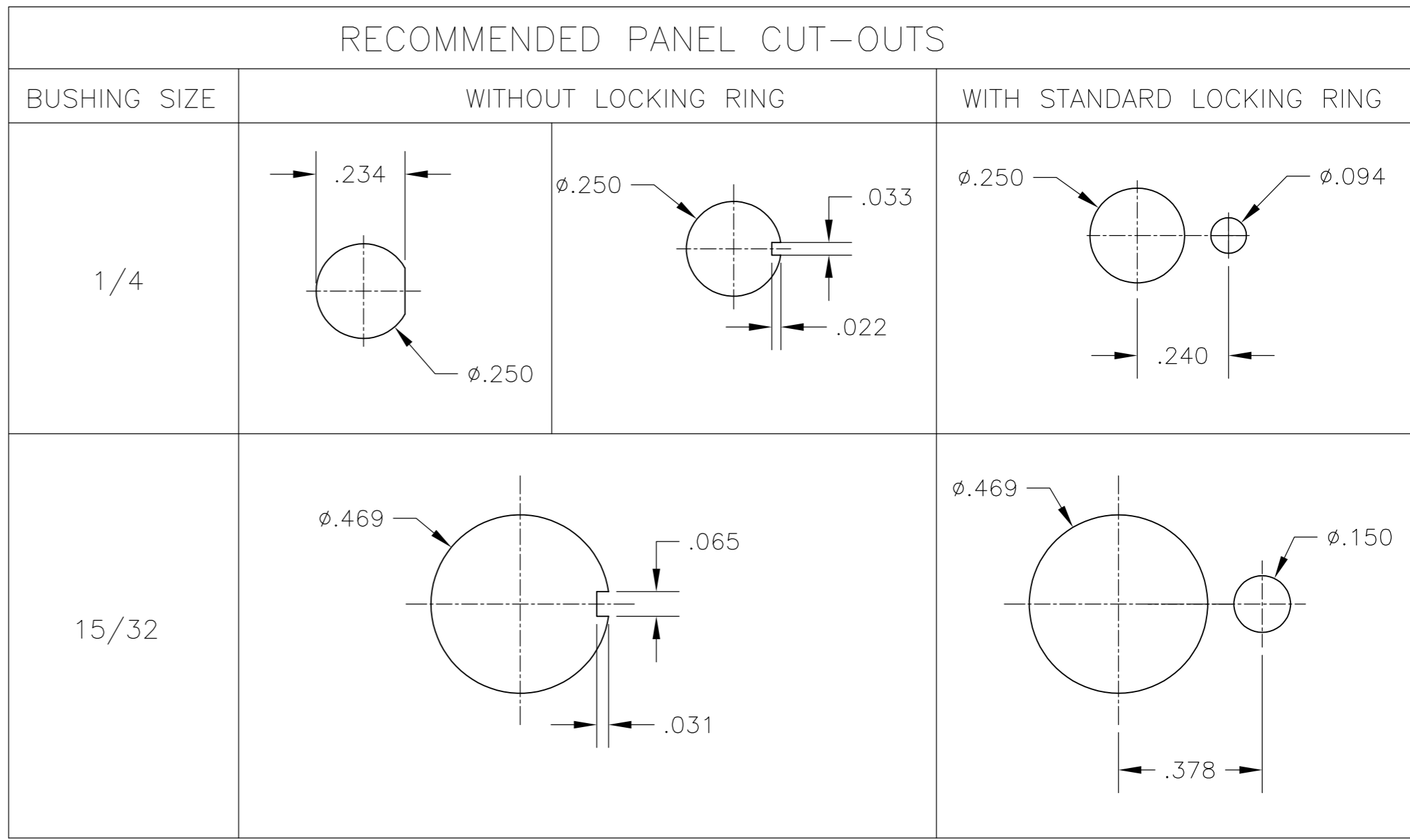
TE TE Connectivity
 GEMINI A SERIES TOGGLE SWITCH, SINGLE POLE, 2 POSITION FUNCTIONS (01 & 08)

THIS DRAWING IS UNPUBLISHED. RELEASED FOR PUBLICATION
 © COPYRIGHT - By - ALL RIGHTS RESERVED.

| LOC | DIST | REVISIONS | | | | | |
|-----|------|-----------|-----|-------------|------|-----|------|
| AD | 00 | P | LTR | DESCRIPTION | DATE | DWN | APVD |
| | | - | - | SEE SHEET 1 | - | - | - |

| Alco P/N | P/N |
|----------------|-------------|
| A101K1V30B04 | 1825136-1 |
| A101KAB04 | 1825136-2 |
| A101KAQ04 | 1825136-3 |
| A101P3YV30B04 | 1825136-4 |
| A101KCQ04 | 1825136-5 |
| A101KD9AQ04 | 1825136-6 |
| A101KZQ04 | 1825136-7 |
| A101SYAV2B04 | 1825136-8 |
| A101L1D9V30Q04 | 1825136-9 |
| A101L1YZB04 | 1-1825136-0 |
| A101LDZQ04 | 1-1825136-1 |
| A101MD9AB04 | 1-1825136-2 |
| A101MD9AG04 | 1-1825136-3 |
| A101MD9AQ04 | 1-1825136-4 |
| A101MD9AV2B04 | 1-1825136-5 |
| A101MD9AV2G04 | 1-1825136-6 |
| A101MD9AV2Q04 | 1-1825136-7 |
| A101MD9V30B04 | 1-1825136-8 |
| A101MDAQ04 | 1-1825136-9 |
| A101MDAV2B04 | 2-1825136-0 |
| A101MDCG04 | 2-1825136-1 |
| A101MDZQ04 | 2-1825136-2 |
| A101MYCQ04 | 2-1825136-3 |
| A101MYZQ04 | 2-1825136-4 |
| A103SYAV2B04 | 2-1825136-5 |
| A101P3CB04 | 2-1825136-6 |
| A101P3ZQ04 | 2-1825136-7 |
| A101KAV2Q04 | 2-1825136-8 |
| A101MDCQ04 | 2-1825136-9 |
| A101SCWCQ004 | 3-1825136-0 |
| A101SCWZQ04 | 3-1825136-1 |
| A101SD9AB04 | 3-1825136-2 |
| A101SD9AQ04 | 3-1825136-3 |
| A101SD9AV2B04 | 3-1825136-4 |
| A101SD9AV2Q04 | 3-1825136-5 |
| A101SD9V30B04 | 3-1825136-6 |
| A101SD9V30Q04 | 3-1825136-7 |
| A101SDCQ04 | 3-1825136-8 |
| A101SDZQ04 | 3-1825136-9 |
| A101SHZQ04 | 4-1825136-0 |
| A101SY9CQ04 | 4-1825136-1 |
| A101SYAB04 | 4-1825136-2 |
| A101SYAQ04 | 4-1825136-3 |
| A101SYCB04 | 4-1825136-4 |
| A101SYCQ04 | 4-1825136-5 |
| not assigned | 4-1825136-6 |
| A101SYWQ04 | 4-1825136-7 |
| A101SYZB04 | 4-1825136-8 |

| Alco P/N | P/N |
|--------------|-------------|
| A101SYZQ04 | 4-1825136-9 |
| not assigned | 5-1825136-0 |
| not assigned | 5-1825136-1 |
| A101T1ZB04 | 5-1825136-2 |
| A101T1ZQ04 | 5-1825136-3 |
| A101TCQ04 | 5-1825136-4 |
| A101TZQ04 | 5-1825136-5 |
| A108MD9AB04 | 5-1825136-6 |
| not assigned | 5-1825136-7 |
| A108P3CQ04 | 5-1825136-8 |
| A108P3ZQ04 | 5-1825136-9 |
| A108SD9AQ04 | 6-1825136-0 |
| A108SDZQ04 | 6-1825136-1 |
| A108SYCB04 | 6-1825136-2 |
| A108SYCQ04 | 6-1825136-3 |
| A108SYZQ04 | 6-1825136-4 |
| not assigned | 6-1825136-5 |
| A101SYAG04 | 6-1825136-6 |



MATERIALS CHART

| COMPONENT NAME | BASE MATERIAL | FINISH |
|------------------------|---------------------------|------------------|
| CASE | DAP, RED, UL94 V-0 | |
| FRAME | STAINLESS STEEL | |
| B TERMINALS & CONTACTS | COPPER | GOLD OVER NICKEL |
| G TERMINALS & CONTACTS | COPPER | GOLD OVER SILVER |
| Q TERMINALS & CONTACTS | COPPER | .000400 SILVER |
| ACTUATOR | PHENOLIC, BLACK, UL94 V-1 | |
| LEVER | BRASS | CHROME |
| BUSHING | BRASS | NICKEL |
| SPRING | MUSIC WIRE | |
| SUPPORT BRACKET | BRASS | TIN |
| PIVOT PIN | STEEL | NICKEL |
| LOCK WASHER | STAINLESS STEEL | |
| LOCKING RING | STAINLESS STEEL | |
| NUTS | C3604BD BRASS | NICKEL |
| TERMINAL SEAL | EPOXY | |

THIS DRAWING IS A CONTROLLED DOCUMENT.

| | | |
|------------------|----------------|---------|
| DWN | B.S.VISWESWARA | 14APR05 |
| CHK | M.ZITTO | - |
| APVD | P.BROUILLETTE | - |
| PRODUCT SPEC | | |
| APPLICATION SPEC | | |
| WEIGHT | - | |
| CUSTOMER DRAWING | | |

TE Connectivity

GEMINI A SERIES TOGGLE SWITCH, SINGLE POLE, 2 POSITION FUNCTIONS (01 & 08)

| | | | | | | | |
|-------|-----|-----------|--------|------------|---------|---------------|---|
| SIZE | A2 | CAGE CODE | 00779 | DRAWING NO | 1825136 | RESTRICTED TO | - |
| SCALE | 3:1 | SHEET | 4 of 4 | REV | A6 | | |



Компания «ЭлектроПласт» предлагает заключение долгосрочных отношений при поставках импортных электронных компонентов на взаимовыгодных условиях!

Наши преимущества:

- Оперативные поставки широкого спектра электронных компонентов отечественного и импортного производства напрямую от производителей и с крупнейших мировых складов;
- Поставка более 17-ти миллионов наименований электронных компонентов;
- Поставка сложных, дефицитных, либо снятых с производства позиций;
- Оперативные сроки поставки под заказ (от 5 рабочих дней);
- Экспресс доставка в любую точку России;
- Техническая поддержка проекта, помощь в подборе аналогов, поставка прототипов;
- Система менеджмента качества сертифицирована по Международному стандарту ISO 9001;
- Лицензия ФСБ на осуществление работ с использованием сведений, составляющих государственную тайну;
- Поставка специализированных компонентов (Xilinx, Altera, Analog Devices, Intersil, Interpoint, Microsemi, Aeroflex, Peregrine, Syfer, Eurofarad, Texas Instrument, Miteq, Cobham, E2V, MA-COM, Hittite, Mini-Circuits, General Dynamics и др.);

Помимо этого, одним из направлений компании «ЭлектроПласт» является направление «Источники питания». Мы предлагаем Вам помощь Конструкторского отдела:

- Подбор оптимального решения, техническое обоснование при выборе компонента;
- Подбор аналогов;
- Консультации по применению компонента;
- Поставка образцов и прототипов;
- Техническая поддержка проекта;
- Защита от снятия компонента с производства.



Как с нами связаться

Телефон: 8 (812) 309 58 32 (многоканальный)

Факс: 8 (812) 320-02-42

Электронная почта: org@eplast1.ru

Адрес: 198099, г. Санкт-Петербург, ул. Калинина, дом 2, корпус 4, литера А.