



**128K X 36, 256K X 18**  
**3.3V Synchronous SRAMs**  
**3.3V I/O, Flow-Through Outputs**  
**Burst Counter, Single Cycle Deselect**

**IDT71V3577S**  
**IDT71V3579S**  
**IDT71V3577SA**  
**IDT71V3579SA**

## Features

- ◆ 128K x 36, 256K x 18 memory configurations
- ◆ Supports fast access times:
  - Commercial:
    - 6.5ns up to 133MHz clock frequency (TQFP package only)
  - Commercial and Industrial:
    - 7.5ns up to 117MHz clock frequency
    - 8.0ns up to 100MHz clock frequency
    - 8.5ns up to 87MHz clock frequency
- ◆  $\overline{\text{LBO}}$  input selects interleaved or linear burst mode
- ◆ Self-timed write cycle with global write control ( $\overline{\text{GW}}$ ), byte write enable ( $\overline{\text{BWE}}$ ), and byte writes ( $\overline{\text{BW}}_x$ )
- ◆ 3.3V core power supply
- ◆ Power down controlled by ZZ input
- ◆ 3.3V I/O
- ◆ Optional - Boundary Scan JTAG Interface (IEEE 1149.1 compliant)
- ◆ Packaged in a JEDEC Standard 100-pin plastic thin quad flatpack (TQFP), 119 ball grid array (BGA) and 165 fine pitch ball grid array

## Description

The IDT71V3577/79 are high-speed SRAMs organized as 128K x 36/256K x 18. The IDT71V3577/79 SRAMs contain write, data, address and control registers. There are no registers in the data output path (flow-through architecture). Internal logic allows the SRAM to generate a self-timed write based upon a decision which can be left until the end of the write cycle.

The burst mode feature offers the highest level of performance to the system designer, as the IDT71V3577/79 can provide four cycles of data for a single address presented to the SRAM. An internal burst address counter accepts the first cycle address from the processor, initiating the access sequence. The first cycle of output data will flow-through from the array after a clock-to-data access time delay from the rising clock edge of the same cycle. If burst mode operation is selected ( $\overline{\text{ADV}}=\text{LOW}$ ), the subsequent three cycles of output data will be available to the user on the next three rising clock edges. The order of these three addresses are defined by the internal burst counter and the  $\overline{\text{LBO}}$  input pin.

The IDT71V3577/79 SRAMs utilize IDT's latest high-performance CMOS process and are packaged in a JEDEC standard 14mm x 20mm 100-pin thin plastic quad flatpack (TQFP) as well as a 119 ball grid array (BGA) and a 165 fine pitch ball grid array (fBGA).

## Pin Description Summary

|   |                                   |        |              |
|---|-----------------------------------|--------|--------------|
| A0-A17  | Address Inputs                    | Input  | Synchronous  |
| $\overline{\text{CE}}$  | Chip Enable                       | Input  | Synchronous  |
| CS <sub>0</sub> , $\overline{\text{CS}}_1$  | Chip Selects                      | Input  | Synchronous  |
| $\overline{\text{OE}}$  | Output Enable                     | Input  | Asynchronous |
| $\overline{\text{GW}}$  | Global Write Enable               | Input  | Synchronous  |
| $\overline{\text{BWE}}$   | Byte Write Enable                 | Input  | Synchronous  |
| $\overline{\text{BW}}_1$ , $\overline{\text{BW}}_2$ , $\overline{\text{BW}}_3$ , $\overline{\text{BW}}_4^{(1)}$ | Individual Byte Write Selects     | Input  | Synchronous  |
| CLK   | Clock                             | Input  | N/A          |
| $\overline{\text{ADV}}$   | Burst Address Advance             | Input  | Synchronous  |
| $\overline{\text{ADSC}}$  | Address Status (Cache Controller) | Input  | Synchronous  |
| $\overline{\text{ADSP}}$  | Address Status (Processor)        | Input  | Synchronous  |
| $\overline{\text{LBO}}$   | Linear / Interleaved Burst Order  | Input  | DC           |
| TMS   | Test Mode Select                  | Input  | Synchronous  |
| TDI   | Test Data Input                   | Input  | Synchronous  |
| TCK   | Test Clock                        | Input  | N/A          |
| TDO   | Test Data Output                  | Output | Synchronous  |
| $\overline{\text{TRST}}$  | JTAG Reset (Optional)             | Input  | Asynchronous |
| ZZ  | Sleep Mode                        | Input  | Asynchronous |
| I/O <sub>0</sub> -I/O <sub>31</sub> , I/OP <sub>1</sub> -I/OP <sub>4</sub>                                      | Data Input / Output               | I/O    | Synchronous  |
| V <sub>DD</sub> , V <sub>DDQ</sub>  | Core Power, I/O Power             | Supply | N/A          |
| V <sub>SS</sub>   | Ground                            | Supply | N/A          |

### NOTE:

1.  $\overline{\text{BW}}_3$  and  $\overline{\text{BW}}_4$  are not applicable for the IDT71V3579.

6450tbl 01

APRIL 2012

## Pin Definitions<sup>(1)</sup>

| Symbol                    | Pin Function                      | I/O | Active | Description   |
|---------------------------|-----------------------------------|-----|--------|---|
| A0-A17                    | Address Inputs                    | I   | N/A    | Synchronous Address inputs. The address register is triggered by a combination of the rising edge of CLK and $\overline{ADSC}$ Low or $\overline{ADSP}$ Low and $\overline{CE}$ Low.  |
| $\overline{ADSC}$         | Address Status (Cache Controller) | I   | LOW    | Synchronous Address Status from Cache Controller. $\overline{ADSC}$ is an active LOW input that is used to load the address registers with new addresses.   |
| $\overline{ADSP}$         | Address Status (Processor)        | I   | LOW    | Synchronous Address Status from Processor. $\overline{ADSP}$ is an active LOW input that is used to load the address registers with new addresses. $\overline{ADSP}$ is gated by $\overline{CE}$ .  |
| $\overline{ADV}$          | Burst Address Advance             | I   | LOW    | Synchronous Address Advance. $\overline{ADV}$ is an active LOW input that is used to advance the internal burst counter, controlling burst access after the initial address is loaded. When the input is HIGH the burst counter is not incremented; that is, there is no address advance.   |
| $\overline{BWE}$          | Byte Write Enable                 | I   | LOW    | Synchronous byte write enable gates the byte write inputs $\overline{BW1-BW4}$ . If $\overline{BWE}$ is LOW at the rising edge of CLK then $\overline{BWx}$ inputs are passed to the next stage in the circuit. If $\overline{BWE}$ is HIGH then the byte write inputs are blocked and only $\overline{GW}$ can initiate a write cycle. |
| $\overline{BW1-BW4}$      | Individual Byte Write Enables     | I   | LOW    | Synchronous byte write enables. $\overline{BW1}$ controls I/O0-7, I/OP1, $\overline{BW2}$ controls I/O8-15, I/OP2, etc. Any active byte write causes all outputs to be disabled.  |
| $\overline{CE}$           | Chip Enable                       | I   | LOW    | Synchronous chip enable. $\overline{CE}$ is used with $CS0$ and $\overline{CS1}$ to enable the IDT71V3577/79. $\overline{CE}$ also gates $\overline{ADSP}$ .  |
| CLK                       | Clock                             | I   | N/A    | This is the clock input. All timing references for the device are made with respect to this input.  |
| $CS0$                     | Chip Select 0                     | I   | HIGH   | Synchronous active HIGH chip select. $CS0$ is used with $\overline{CE}$ and $\overline{CS1}$ to enable the chip.  |
| $\overline{CS1}$          | Chip Select 1                     | I   | LOW    | Synchronous active LOW chip select. $\overline{CS1}$ is used with $\overline{CE}$ and $CS0$ to enable the chip.   |
| $\overline{GW}$           | Global Write Enable               | I   | LOW    | Synchronous global write enable. This input will write all four 9-bit data bytes when LOW on the rising edge of CLK. $\overline{GW}$ supersedes individual byte write enables.  |
| I/O0-I/O31<br>I/OP1-I/OP4 | Data Input/Output                 | I/O | N/A    | Synchronous data input/output (I/O) pins. The data input path is registered, triggered by the rising edge of CLK. The data output path is flow-through (no output register).  |
| $\overline{LBO}$          | Linear Burst Order                | I   | LOW    | Asynchronous burst order selection input. When $\overline{LBO}$ is HIGH, the inter-leaved burst sequence is selected. When $\overline{LBO}$ is LOW the Linear burst sequence is selected. $\overline{LBO}$ is a static input and must not change state while the device is operating.   |
| $\overline{OE}$           | Output Enable                     | I   | LOW    | Asynchronous output enable. When $\overline{OE}$ is LOW the data output drivers are enabled on the I/O pins if the chip is also selected. When $\overline{OE}$ is HIGH the I/O pins are in a high-impedance state.  |
| TMS                       | Test ModeSelect                   | I   | N/A    | Gives input command for TAP controller. Sampled on rising edge of TDK. This pin has an internal pullup.   |
| TDI                       | Test Data Input                   | I   | N/A    | Serial input of registers placed between TDI and TDO. Sampled on rising edge of TCK. This pin has an internal pullup.   |
| TCK                       | Test Clock                        | I   | N/A    | Clock input of TAP controller. Each TAP event is clocked. Test inputs are captured on rising edge of TCK, while test outputs are driven from the falling edge of TCK. This pin has an internal pullup.  |
| TDO                       | Test DataOutput                   | O   | N/A    | Serial output of registers placed between TDI and TDO. This output is active depending on the state of the TAP controller.  |
| $\overline{TRST}$         | JTAG Reset (Optional)             | I   | LOW    | Optional Asynchronous JTAG reset. Can be used to reset the TAP controller, but not required. JTAG reset occurs automatically at power up and also resets using TMS and TCK per IEEE 1149.1. If not used $\overline{TRST}$ can be left floating. This pin has an internal pullup. Only available in BGA package.                         |
| ZZ                        | Sleep Mode                        | I   | HIGH   | Asynchronous sleep mode input. ZZ HIGH will gate the CLK internally and power down the IDT71V3577/79 to its lowest power consumption level. Data retention is guaranteed in Sleep Mode. This pin has an internal pull down.   |
| VDD                       | Power Supply                      | N/A | N/A    | 3.3V core power supply.   |
| VDDQ                      | Power Supply                      | N/A | N/A    | 3.3V I/O Supply.  |
| VSS                       | Ground                            | N/A | N/A    | Ground.   |
| NC                        | No Connect                        | N/A | N/A    | NC pins are not electrically connected to the device.   |

6450 tbl 02

### NOTE:

1. All synchronous inputs must meet specified setup and hold times with respect to CLK.

## Functional Block Diagram



## Absolute Maximum Ratings<sup>(1)</sup>

| Symbol                             | Rating                               | Commercial & Industrial Values | Unit |
|------------------------------------|--------------------------------------|--------------------------------|------|
| V <sub>TERM</sub> <sup>(2)</sup>   | Terminal Voltage with Respect to GND | -0.5 to +4.6                   | V    |
| V <sub>TERM</sub> <sup>(3,6)</sup> | Terminal Voltage with Respect to GND | -0.5 to V <sub>DD</sub>        | V    |
| V <sub>TERM</sub> <sup>(4,6)</sup> | Terminal Voltage with Respect to GND | -0.5 to V <sub>DD</sub> +0.5   | V    |
| V <sub>TERM</sub> <sup>(5,6)</sup> | Terminal Voltage with Respect to GND | -0.5 to V <sub>DDQ</sub> +0.5  | V    |
| T <sub>A</sub> <sup>(7)</sup>      | Commercial Operating Temperature     | -0 to +70                      | °C   |
|                                    | Industrial Operating Temperature     | -40 to +85                     | °C   |
| T <sub>BIAS</sub>                  | Temperature Under Bias               | -55 to +125                    | °C   |
| T <sub>STG</sub>                   | Storage Temperature                  | -55 to +125                    | °C   |
| P <sub>T</sub>                     | Power Dissipation                    | 2.0                            | W    |
| I <sub>OUT</sub>                   | DC Output Current                    | 50                             | mA   |

6450 tbl 03

### NOTES:

- Stresses greater than those listed under ABSOLUTE MAXIMUM RATINGS may cause permanent damage to the device. This is a stress rating only and functional operation of the device at these or any other conditions above those indicated in the operational sections of this specification is not implied. Exposure to absolute maximum rating conditions for extended periods may affect reliability.
- V<sub>DD</sub> terminals only.
- V<sub>DDQ</sub> terminals only.
- Input terminals only.
- I/O terminals only.
- This is a steady-state DC parameter that applies after the power supplies have ramped up. Power supply sequencing is not necessary; however, the voltage on any input or I/O pin cannot exceed V<sub>DDQ</sub> during power supply ramp up.
- T<sub>A</sub> is the "instant on" case temperature.

## Recommended Operating Temperature Supply Voltage

| Grade      | Temperature <sup>(1)</sup> | V <sub>SS</sub> | V <sub>DD</sub> | V <sub>DDQ</sub> |
|------------|----------------------------|-----------------|-----------------|------------------|
| Commercial | 0°C to +70°C               | 0V              | 3.3V±5%         | 3.3V±5%          |
| Industrial | -40°C to +85°C             | 0V              | 3.3V±5%         | 3.3V±5%          |

6450 tbl 04

### NOTES:

- T<sub>A</sub> is the "instant on" case temperature.

## Recommended DC Operating Conditions

| Symbol           | Parameter                   | Min.                | Typ. | Max.                                 | Unit |
|------------------|-----------------------------|---------------------|------|--------------------------------------|------|
| V <sub>DD</sub>  | Core Supply Voltage         | 3.135               | 3.3  | 3.465                                | V    |
| V <sub>DDQ</sub> | I/O Supply Voltage          | 3.135               | 3.3  | 3.465                                | V    |
| V <sub>SS</sub>  | Supply Voltage              | 0                   | 0    | 0                                    | V    |
| V <sub>IH</sub>  | Input High Voltage - Inputs | 2.0                 | —    | V <sub>DD</sub> +0.3                 | V    |
| V <sub>IH</sub>  | Input High Voltage - I/O    | 2.0                 | —    | V <sub>DDQ</sub> +0.3 <sup>(1)</sup> | V    |
| V <sub>IL</sub>  | Input Low Voltage           | -0.3 <sup>(2)</sup> | —    | 0.8                                  | V    |

6450 tbl 06

### NOTES:

- V<sub>IH</sub> (max) = V<sub>DDQ</sub> + 1.0V for pulse width less than t<sub>CVCI/2</sub>, once per cycle.
- V<sub>IL</sub> (min) = -1.0V for pulse width less than t<sub>CVCI/2</sub>, once per cycle.

## 100 Pin TQFP Capacitance

(T<sub>A</sub> = +25° C, f = 1.0mhz)

| Symbol          | Parameter <sup>(1)</sup> | Conditions             | Max. | Unit |
|-----------------|--------------------------|------------------------|------|------|
| C <sub>IN</sub> | Input Capacitance        | V <sub>IN</sub> = 3dV  | 5    | pF   |
| C <sub>IO</sub> | I/O Capacitance          | V <sub>OUT</sub> = 3dV | 7    | pF   |

6450 tbl 07

## 119 BGA Capacitance

(T<sub>A</sub> = +25° C, f = 1.0mhz)

| Symbol          | Parameter <sup>(1)</sup> | Conditions             | Max. | Unit |
|-----------------|--------------------------|------------------------|------|------|
| C <sub>IN</sub> | Input Capacitance        | V <sub>IN</sub> = 3dV  | 7    | pF   |
| C <sub>IO</sub> | I/O Capacitance          | V <sub>OUT</sub> = 3dV | 7    | pF   |

6450 tbl 07a

## 165 fBGA Capacitance

(T<sub>A</sub> = +25° C, f = 1.0mhz)

| Symbol          | Parameter <sup>(1)</sup> | Conditions             | Max. | Unit |
|-----------------|--------------------------|------------------------|------|------|
| C <sub>IN</sub> | Input Capacitance        | V <sub>IN</sub> = 3dV  | 7    | pF   |
| C <sub>IO</sub> | I/O Capacitance          | V <sub>OUT</sub> = 3dV | 7    | pF   |

6450 tbl 07b

### NOTE:

- This parameter is guaranteed by device characterization, but not production tested.

## Pin Configuration – 128K x 36



### 100 TOFP Top View

**NOTES:**

1. Pin 14 does not have to be directly connected to Vss as long as the input voltage is  $\leq V_{IL}$ .
2. Pin 64 can be left unconnected and the device will always remain in active mode.



### Pin Configuration – 128K x 36, 119 BGA



6450 drw 02c

Top View

### Pin Configuration – 256K x 18, 119 BGA



6450 drw 02d

Top View

**NOTES:**

1. R5 does not have to be directly connected to Vss as long as the input voltage is  $\leq V_{IL}$ .
2. These pins are NC for the "S" version or the JTAG signal listed for the "SA" version. Note: If NC, these pins can either be tied to Vss, Vdd or left floating.
3. T7 can be left unconnected and the device will always remain in active mode.
4. TRST is offered as an optional JTAG Reset if required in the application. If not needed, can be left floating and will internally be pulled to Vdd.

## Pin Configuration – 128K x 36, 165 fBGA

|   | 1                  | 2                 | 3                 | 4                 | 5                        | 6                 | 7                     | 8                 | 9                 | 10    | 11                |
|---|--------------------|-------------------|-------------------|-------------------|--------------------------|-------------------|-----------------------|-------------------|-------------------|-------|-------------------|
| A | NC <sup>(4)</sup>  | A7                | $\overline{CE}_1$ | $\overline{BW}_3$ | $\overline{BW}_2$        | $\overline{CS}_1$ | $\overline{BWE}$      | $\overline{ADSC}$ | $\overline{ADV}$  | A8    | NC                |
| B | NC                 | A6                | CS0               | $\overline{BW}_4$ | $\overline{BW}_1$        | CLK               | $\overline{GW}$       | $\overline{OE}$   | $\overline{ADSP}$ | A9    | NC <sup>(4)</sup> |
| C | I/OP3              | NC                | VDDQ              | VSS               | VSS                      | VSS               | VSS                   | VSS               | VDDQ              | NC    | I/OP2             |
| D | I/O17              | I/O16             | VDDQ              | VDD               | VSS                      | VSS               | VSS                   | VDD               | VDDQ              | I/O15 | I/O14             |
| E | I/O19              | I/O18             | VDDQ              | VDD               | VSS                      | VSS               | VSS                   | VDD               | VDDQ              | I/O13 | I/O12             |
| F | I/O21              | I/O20             | VDDQ              | VDD               | VSS                      | VSS               | VSS                   | VDD               | VDDQ              | I/O11 | I/O10             |
| G | I/O23              | I/O22             | VDDQ              | VDD               | VSS                      | VSS               | VSS                   | VDD               | VDDQ              | I/O9  | I/O8              |
| H | VSS <sup>(1)</sup> | NC                | NC                | VDD               | VSS                      | VSS               | VSS                   | VDD               | NC                | NC    | ZZ <sup>(3)</sup> |
| J | I/O25              | I/O24             | VDDQ              | VDD               | VSS                      | VSS               | VSS                   | VDD               | VDDQ              | I/O7  | I/O6              |
| K | I/O27              | I/O26             | VDDQ              | VDD               | VSS                      | VSS               | VSS                   | VDD               | VDDQ              | I/O5  | I/O4              |
| L | I/O29              | I/O28             | VDDQ              | VDD               | VSS                      | VSS               | VSS                   | VDD               | VDDQ              | I/O3  | I/O2              |
| M | I/O31              | I/O30             | VDDQ              | VDD               | VSS                      | VSS               | VSS                   | VDD               | VDDQ              | I/O1  | I/O0              |
| N | I/OP4              | NC                | VDDQ              | VSS               | NC/TRST <sup>(2,5)</sup> | NC <sup>(4)</sup> | NC                    | VSS               | VDDQ              | NC    | I/OP1             |
| P | NC                 | NC <sup>(4)</sup> | A5                | A2                | NC/TDI <sup>(2)</sup>    | A1                | NC/TDO <sup>(2)</sup> | A10               | A13               | A14   | NC <sup>(4)</sup> |
| R | $\overline{LBO}$   | NC <sup>(4)</sup> | A4                | A3                | NC/TMS <sup>(2)</sup>    | A0                | NC/TCK <sup>(2)</sup> | A11               | A12               | A15   | A16               |

6450 tbl 17

## Pin Configuration – 256K x 18, 165 fBGA

|   | 1                  | 2                 | 3                 | 4                 | 5                        | 6                 | 7                     | 8                 | 9                 | 10   | 11                |
|---|--------------------|-------------------|-------------------|-------------------|--------------------------|-------------------|-----------------------|-------------------|-------------------|------|-------------------|
| A | NC <sup>(4)</sup>  | A7                | $\overline{CE}_1$ | $\overline{BW}_2$ | NC                       | $\overline{CS}_1$ | $\overline{BWE}$      | $\overline{ADSC}$ | $\overline{ADV}$  | A8   | A10               |
| B | NC                 | A6                | CS0               | NC                | $\overline{BW}_1$        | CLK               | $\overline{GW}$       | $\overline{OE}$   | $\overline{ADSP}$ | A9   | NC <sup>(4)</sup> |
| C | NC                 | NC                | VDDQ              | VSS               | VSS                      | VSS               | VSS                   | VSS               | VDDQ              | NC   | I/OP1             |
| D | NC                 | I/O8              | VDDQ              | VDD               | VSS                      | VSS               | VSS                   | VDD               | VDDQ              | NC   | I/O7              |
| E | NC                 | I/O9              | VDDQ              | VDD               | VSS                      | VSS               | VSS                   | VDD               | VDDQ              | NC   | I/O6              |
| F | NC                 | I/O10             | VDDQ              | VDD               | VSS                      | VSS               | VSS                   | VDD               | VDDQ              | NC   | I/O5              |
| G | NC                 | I/O11             | VDDQ              | VDD               | VSS                      | VSS               | VSS                   | VDD               | VDDQ              | NC   | I/O4              |
| H | VSS <sup>(1)</sup> | NC                | NC                | VDD               | VSS                      | VSS               | VSS                   | VDD               | NC                | NC   | ZZ <sup>(3)</sup> |
| J | I/O12              | NC                | VDDQ              | VDD               | VSS                      | VSS               | VSS                   | VDD               | VDDQ              | I/O3 | NC                |
| K | I/O13              | NC                | VDDQ              | VDD               | VSS                      | VSS               | VSS                   | VDD               | VDDQ              | I/O2 | NC                |
| L | I/O14              | NC                | VDDQ              | VDD               | VSS                      | VSS               | VSS                   | VDD               | VDDQ              | I/O1 | NC                |
| M | I/O15              | NC                | VDDQ              | VDD               | VSS                      | VSS               | VSS                   | VDD               | VDDQ              | I/O0 | NC                |
| N | I/OP2              | NC                | VDDQ              | VSS               | NC/TRST <sup>(2,5)</sup> | NC <sup>(4)</sup> | NC                    | VSS               | VDDQ              | NC   | NC                |
| P | NC                 | NC <sup>(4)</sup> | A5                | A2                | NC/TDI <sup>(2)</sup>    | A1                | NC/TDO <sup>(2)</sup> | A11               | A14               | A15  | NC <sup>(4)</sup> |
| R | $\overline{LBO}$   | NC <sup>(4)</sup> | A4                | A3                | NC/TMS <sup>(2)</sup>    | A0                | NC/TCK <sup>(2)</sup> | A12               | A13               | A16  | A17               |

6450 tbl 17a

### NOTES:

- H1 does not have to be directly Vss as long as input voltage is  $\leq V_{IL}$ .
- These pins are NC for the "S" version or the JTAG signal listed for the "SA" version. Note: If NC, these pins can either be tied to Vss, VDD or left floating.
- H11 can be left unconnected and the device will always remain in active mode.
- Pins P11, N6, B11, A1, R2 and P2 are reserved for 9M, 18M, 36M, 72M, 144M and 288M respectively.
- TRST is offered as an optional JTAG Reset if required in the application. If not needed, can be left floating and will internally be pulled to VDD.



## DC Electrical Characteristics Over the Operating Temperature and Supply Voltage Range ( $V_{DD} = 3.3V \pm 5\%$ )

| Symbol     | Parameter  | Test Conditions   | Min. | Max. | Unit    |
|------------|--|---|------|------|---------|
| $ I_{L} $  | Input Leakage Current  | $V_{DD} = \text{Max.}, V_{IN} = 0V \text{ to } V_{DD}$        | —    | 5    | $\mu A$ |
| $ I_{L} $  | ZZ, $\overline{LBO}$ and JTAG Input Leakage Current <sup>(1)</sup> | $V_{DD} = \text{Max.}, V_{IN} = 0V \text{ to } V_{DD}$        | —    | 30   | $\mu A$ |
| $ I_{LO} $ | Output Leakage Current   | $V_{OUT} = 0V \text{ to } V_{DDQ}, \text{ Device Deselected}$ | —    | 5    | $\mu A$ |
| $V_{OL}$   | Output Low Voltage   | $I_{OL} = +8mA, V_{DD} = \text{Min.}$                         | —    | 0.4  | V       |
| $V_{OH}$   | Output High Voltage  | $I_{OH} = -8mA, V_{DD} = \text{Min.}$                         | 2.4  | —    | V       |

6450 tbl 08

**NOTE:**

- The  $\overline{LBO}$ , TMS, TDI, TCK and  $\overline{TRST}$  pins will be internally pulled to  $V_{DD}$  and the ZZ in will be internally pulled to  $V_{SS}$  if they are not actively driven in the application.

## DC Electrical Characteristics Over the Operating Temperature and Supply Voltage Range <sup>(1)</sup>

| Symbol    | Parameter                          | Test Conditions   | 6.5ns      |       | 7.5ns |       | 8ns |       | 8.5ns |    | Unit |
|-----------|------------------------------------|---|------------|-------|-------|-------|-----|-------|-------|----|------|
|           |                                    |   | Com'l Only | Com'l | Ind   | Com'l | Ind | Com'l | Ind   |    |      |
| $I_{DD}$  | Operating Power Supply Current     | Device Selected, Outputs Open, $V_{DD} = \text{Max.}, V_{DDQ} = \text{Max.}, V_{IN} \geq V_{IH} \text{ or } \leq V_{IL}, f = f_{MAX}^{(2)}$     | 300        | 255   | 265   | 200   | 210 | 180   | 190   | mA |      |
| $I_{SB1}$ | CMOS Standby Power Supply Current  | Device Deselected, Outputs Open, $V_{DD} = \text{Max.}, V_{DDQ} = \text{Max.}, V_{IN} \geq V_{HD} \text{ or } \leq V_{LD}, f = 0^{(2,3)}$       | 30         | 30    | 35    | 30    | 35  | 30    | 35    | mA |      |
| $I_{SB2}$ | Clock Running Power Supply Current | Device Deselected, Outputs Open, $V_{DD} = \text{Max.}, V_{DDQ} = \text{Max.}, V_{IN} \geq V_{HD} \text{ or } \leq V_{LD}, f = f_{MAX}^{(2,3)}$ | 110        | 90    | 100   | 85    | 95  | 80    | 90    | mA |      |
| $I_{ZZ}$  | Full Sleep Mode Supply Current     | $ZZ \geq V_{HD}, V_{DD} = \text{Max.}$  | 30         | 30    | 35    | 30    | 35  | 30    | 35    | mA |      |

6450 tbl 09a

**NOTES:**

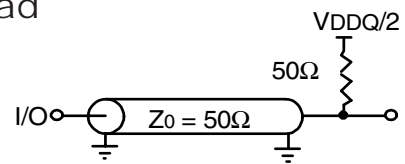
- All values are maximum guaranteed values.
- At  $f = f_{MAX}$ , inputs are cycling at the maximum frequency of read cycles of 1/t<sub>cy</sub> while  $\overline{ADSC} = \text{LOW}$ ;  $f=0$  means no input lines are changing.
- For I/Os  $V_{HD} = V_{DDQ} - 0.2V, V_{LD} = 0.2V$ . For other inputs  $V_{HD} = V_{DD} - 0.2V, V_{LD} = 0.2V$ .

## AC Test Conditions ( $V_{DDQ} = 3.3V$ )

|                                |              |
|--------------------------------|--------------|
| Input Pulse Levels             | 0 to 3V      |
| Input Rise/Fall Times          | 2ns          |
| Input Timing Reference Levels  | 1.5V         |
| Output Timing Reference Levels | 1.5V         |
| AC Test Load                   | See Figure 1 |

6450 tbl 10

## AC Test Load



6450 drw 03

Figure 1. AC Test Load



6450 drw 05

Figure 2. Lumped Capacitive Load, Typical Derating

## Synchronous Truth Table <sup>(1,3)</sup>

| Operation                    | Address Used | $\overline{CE}$ | $CS_0$ | $\overline{CS}_1$ | $\overline{ADSP}$ | $\overline{ADSC}$ | $\overline{ADV}$ | $\overline{GW}$ | $\overline{BWE}$ | $\overline{BW}_x$ | $\overline{OE}^{(2)}$ | CLK | I/O  |
|------------------------------|--------------|-----------------|--------|-------------------|-------------------|-------------------|------------------|-----------------|------------------|-------------------|-----------------------|-----|------|
| Deselected Cycle, Power Down | None         | H               | X      | X                 | X                 | L                 | X                | X               | X                | X                 | X                     | ↑   | HI-Z |
| Deselected Cycle, Power Down | None         | L               | X      | H                 | L                 | X                 | X                | X               | X                | X                 | X                     | ↑   | HI-Z |
| Deselected Cycle, Power Down | None         | L               | L      | X                 | L                 | X                 | X                | X               | X                | X                 | X                     | ↑   | HI-Z |
| Deselected Cycle, Power Down | None         | L               | X      | H                 | X                 | L                 | X                | X               | X                | X                 | X                     | ↑   | HI-Z |
| Deselected Cycle, Power Down | None         | L               | L      | X                 | X                 | L                 | X                | X               | X                | X                 | X                     | ↑   | HI-Z |
| Read Cycle, Begin Burst      | External     | L               | H      | L                 | L                 | X                 | X                | X               | X                | X                 | L                     | ↑   | DOUT |
| Read Cycle, Begin Burst      | External     | L               | H      | L                 | L                 | X                 | X                | X               | X                | X                 | H                     | ↑   | HI-Z |
| Read Cycle, Begin Burst      | External     | L               | H      | L                 | H                 | L                 | X                | H               | H                | X                 | L                     | ↑   | DOUT |
| Read Cycle, Begin Burst      | External     | L               | H      | L                 | H                 | L                 | X                | H               | L                | H                 | L                     | ↑   | DOUT |
| Read Cycle, Begin Burst      | External     | L               | H      | L                 | H                 | L                 | X                | H               | L                | H                 | H                     | ↑   | HI-Z |
| Write Cycle, Begin Burst     | External     | L               | H      | L                 | H                 | L                 | X                | H               | L                | L                 | X                     | ↑   | DI   |
| Write Cycle, Begin Burst     | External     | L               | H      | L                 | H                 | L                 | X                | L               | X                | X                 | X                     | ↑   | DI   |
| Read Cycle, Continue Burst   | Next         | X               | X      | X                 | H                 | H                 | L                | H               | H                | X                 | L                     | ↑   | DOUT |
| Read Cycle, Continue Burst   | Next         | X               | X      | X                 | H                 | H                 | L                | H               | H                | X                 | H                     | ↑   | HI-Z |
| Read Cycle, Continue Burst   | Next         | X               | X      | X                 | H                 | H                 | L                | H               | X                | H                 | L                     | ↑   | DOUT |
| Read Cycle, Continue Burst   | Next         | X               | X      | X                 | H                 | H                 | L                | H               | X                | H                 | H                     | ↑   | HI-Z |
| Read Cycle, Continue Burst   | Next         | H               | X      | X                 | X                 | H                 | L                | H               | H                | X                 | L                     | ↑   | DOUT |
| Read Cycle, Continue Burst   | Next         | H               | X      | X                 | X                 | H                 | L                | H               | H                | X                 | H                     | ↑   | HI-Z |
| Read Cycle, Continue Burst   | Next         | H               | X      | X                 | X                 | H                 | L                | H               | X                | H                 | L                     | ↑   | DOUT |
| Read Cycle, Continue Burst   | Next         | H               | X      | X                 | X                 | H                 | L                | H               | X                | H                 | H                     | ↑   | HI-Z |
| Write Cycle, Continue Burst  | Next         | X               | X      | X                 | H                 | H                 | L                | H               | L                | L                 | X                     | ↑   | DI   |
| Write Cycle, Continue Burst  | Next         | X               | X      | X                 | H                 | H                 | L                | L               | X                | X                 | X                     | ↑   | DI   |
| Write Cycle, Continue Burst  | Next         | H               | X      | X                 | X                 | H                 | L                | H               | L                | L                 | X                     | ↑   | DI   |
| Write Cycle, Continue Burst  | Next         | H               | X      | X                 | X                 | H                 | L                | L               | X                | X                 | X                     | ↑   | DI   |
| Read Cycle, Suspend Burst    | Current      | X               | X      | X                 | H                 | H                 | H                | H               | H                | X                 | L                     | ↑   | DOUT |
| Read Cycle, Suspend Burst    | Current      | X               | X      | X                 | H                 | H                 | H                | H               | H                | X                 | H                     | ↑   | HI-Z |
| Read Cycle, Suspend Burst    | Current      | X               | X      | X                 | H                 | H                 | H                | H               | X                | H                 | L                     | ↑   | DOUT |
| Read Cycle, Suspend Burst    | Current      | X               | X      | X                 | H                 | H                 | H                | H               | X                | H                 | H                     | ↑   | HI-Z |
| Read Cycle, Suspend Burst    | Current      | H               | X      | X                 | X                 | H                 | H                | H               | H                | X                 | L                     | ↑   | DOUT |
| Read Cycle, Suspend Burst    | Current      | H               | X      | X                 | X                 | H                 | H                | H               | H                | X                 | H                     | ↑   | HI-Z |
| Read Cycle, Suspend Burst    | Current      | H               | X      | X                 | X                 | H                 | H                | H               | X                | H                 | L                     | ↑   | DOUT |
| Read Cycle, Suspend Burst    | Current      | H               | X      | X                 | X                 | H                 | H                | H               | X                | H                 | H                     | ↑   | HI-Z |
| Write Cycle, Suspend Burst   | Current      | X               | X      | X                 | H                 | H                 | H                | H               | L                | L                 | X                     | ↑   | DI   |
| Write Cycle, Suspend Burst   | Current      | X               | X      | X                 | H                 | H                 | H                | L               | X                | X                 | X                     | ↑   | DI   |
| Write Cycle, Suspend Burst   | Current      | H               | X      | X                 | X                 | H                 | H                | H               | L                | L                 | X                     | ↑   | DI   |
| Write Cycle, Suspend Burst   | Current      | H               | X      | X                 | X                 | H                 | H                | L               | X                | X                 | X                     | ↑   | DI   |

**NOTES:**

1. L =  $V_{IL}$ , H =  $V_{IH}$ , X = Don't Care.
2.  $\overline{OE}$  is an asynchronous input.
3. ZZ - low for the table.

6450 tbl 11

## Synchronous Write Function Truth Table <sup>(1, 2)</sup>

| Operation                   | $\overline{GW}$ | $\overline{BWE}$ | $\overline{BW}_1$ | $\overline{BW}_2$ | $\overline{BW}_3$ | $\overline{BW}_4$ |
|-----------------------------|-----------------|------------------|-------------------|-------------------|-------------------|-------------------|
| Read                        | H               | H                | X                 | X                 | X                 | X                 |
| Read                        | H               | L                | H                 | H                 | H                 | H                 |
| Write all Bytes             | L               | X                | X                 | X                 | X                 | X                 |
| Write all Bytes             | H               | L                | L                 | L                 | L                 | L                 |
| Write Byte 1 <sup>(3)</sup> | H               | L                | L                 | H                 | H                 | H                 |
| Write Byte 2 <sup>(3)</sup> | H               | L                | H                 | L                 | H                 | H                 |
| Write Byte 3 <sup>(3)</sup> | H               | L                | H                 | H                 | L                 | H                 |
| Write Byte 4 <sup>(3)</sup> | H               | L                | H                 | H                 | H                 | L                 |

6450 tbl 12

### NOTES:

1. L =  $V_{IL}$ , H =  $V_{IH}$ , X = Don't Care.
2.  $\overline{BW}_3$  and  $\overline{BW}_4$  are not applicable for the IDT71V3579.
3. Multiple bytes may be selected during the same cycle.

## Asynchronous Truth Table <sup>(1)</sup>

| Operation <sup>(2)</sup> | $\overline{OE}$ | $\overline{ZZ}$ | I/O Status       | Power   |
|--------------------------|-----------------|-----------------|------------------|---------|
| Read                     | L               | L               | Data Out         | Active  |
| Read                     | H               | L               | High-Z           | Active  |
| Write                    | X               | L               | High-Z - Data In | Active  |
| Deselected               | X               | L               | High-Z           | Standby |
| Sleep Mode               | X               | H               | High-Z           | Sleep   |

6450 tbl 13

### NOTES:

1. L =  $V_{IL}$ , H =  $V_{IH}$ , X = Don't Care.
2. Synchronous function pins must be biased appropriately to satisfy operation requirements.

## Interleaved Burst Sequence Table ( $\overline{LBO} = V_{DD}$ )

|                               | Sequence 1 |    | Sequence 2 |    | Sequence 3 |    | Sequence 4 |    |
|-------------------------------|------------|----|------------|----|------------|----|------------|----|
|                               | A1         | A0 | A1         | A0 | A1         | A0 | A1         | A0 |
| First Address                 | 0          | 0  | 0          | 1  | 1          | 0  | 1          | 1  |
| Second Address                | 0          | 1  | 0          | 0  | 1          | 1  | 1          | 0  |
| Third Address                 | 1          | 0  | 1          | 1  | 0          | 0  | 0          | 1  |
| Fourth Address <sup>(1)</sup> | 1          | 1  | 1          | 0  | 0          | 1  | 0          | 0  |

6450 tbl 14

### NOTE:

1. Upon completion of the Burst sequence the counter wraps around to its initial state.

## Linear Burst Sequence Table ( $\overline{LBO} = V_{SS}$ )

|                               | Sequence 1 |    | Sequence 2 |    | Sequence 3 |    | Sequence 4 |    |
|-------------------------------|------------|----|------------|----|------------|----|------------|----|
|                               | A1         | A0 | A1         | A0 | A1         | A0 | A1         | A0 |
| First Address                 | 0          | 0  | 0          | 1  | 1          | 0  | 1          | 1  |
| Second Address                | 0          | 1  | 1          | 0  | 1          | 1  | 0          | 0  |
| Third Address                 | 1          | 0  | 1          | 1  | 0          | 0  | 0          | 1  |
| Fourth Address <sup>(1)</sup> | 1          | 1  | 0          | 0  | 0          | 1  | 1          | 0  |

6450 tbl 15

### NOTE:

1. Upon completion of the Burst sequence the counter wraps around to its initial state.

## AC Electrical Characteristics

(VDD = 3.3V ±5%, Commercial and Industrial Temperature Ranges)

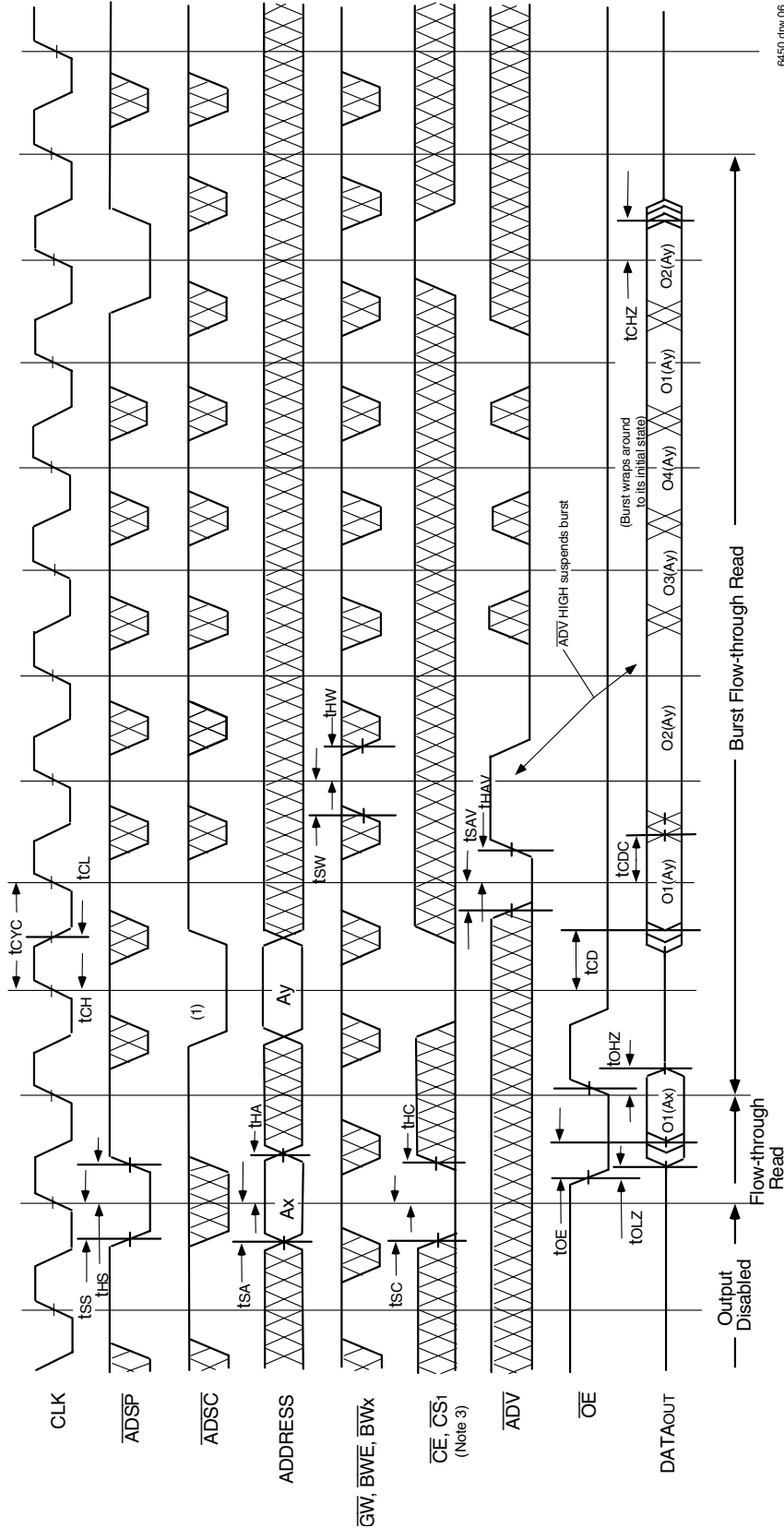
| Symbol   | Parameter                           | 6.5ns <sup>(5)</sup> |      | 7.5ns |      | 8ns  |      | 8.5ns |      | Unit |
|--|-------------------------------------|----------------------|------|-------|------|------|------|-------|------|------|
|  |                                     | Min.                 | Max. | Min.  | Max. | Min. | Max. | Min.  | Max. |      |
| <b>Clock Parameter</b>                         |                                     |                      |      |       |      |      |      |       |      |      |
| t <sub>CYC</sub>                               | Clock Cycle Time                    | 7.5                  | —    | 8.5   | —    | 10   | —    | 11.5  | —    | ns   |
| t <sub>CH</sub> <sup>(1)</sup>                 | Clock High Pulse Width              | 2.5                  | —    | 3     | —    | 4    | —    | 4.5   | —    | ns   |
| t <sub>CL</sub> <sup>(1)</sup>                 | Clock Low Pulse Width               | 2.5                  | —    | 3     | —    | 4    | —    | 4.5   | —    | ns   |
| <b>Output Parameters</b>                       |                                     |                      |      |       |      |      |      |       |      |      |
| t <sub>CD</sub>                                | Clock High to Valid Data            | —                    | 6.5  | —     | 7.5  | —    | 8    | —     | 8.5  | ns   |
| t <sub>CDC</sub>                               | Clock High to Data Change           | 2                    | —    | 2     | —    | 2    | —    | 2     | —    | ns   |
| t <sub>CLZ</sub> <sup>(2)</sup>                | Clock High to Output Active         | 0                    | —    | 0     | —    | 0    | —    | 0     | —    | ns   |
| t <sub>CHZ</sub> <sup>(2)</sup>                | Clock High to Data High-Z           | 2                    | 3.5  | 2     | 3.5  | 2    | 3.5  | 2     | 3.5  | ns   |
| t <sub>OE</sub>                                | Output Enable Access Time           | —                    | 3.5  | —     | 3.5  | —    | 3.5  | —     | 3.5  | ns   |
| t <sub>OLZ</sub> <sup>(2)</sup>                | Output Enable Low to Output Active  | 0                    | —    | 0     | —    | 0    | —    | 0     | —    | ns   |
| t <sub>OHZ</sub> <sup>(2)</sup>                | Output Enable High to Output High-Z | —                    | 3.5  | —     | 3.5  | —    | 3.5  | —     | 3.5  | ns   |
| <b>Set Up Times</b>                            |                                     |                      |      |       |      |      |      |       |      |      |
| t <sub>SA</sub>                                | Address Setup Time                  | 1.5                  | —    | 1.5   | —    | 2    | —    | 2     | —    | ns   |
| t <sub>SS</sub>                                | Address Status Setup Time           | 1.5                  | —    | 1.5   | —    | 2    | —    | 2     | —    | ns   |
| t <sub>SD</sub>                                | Data In Setup Time                  | 1.5                  | —    | 1.5   | —    | 2    | —    | 2     | —    | ns   |
| t <sub>SW</sub>                                | Write Setup Time                    | 1.5                  | —    | 1.5   | —    | 2    | —    | 2     | —    | ns   |
| t <sub>SAV</sub>                               | Address Advance Setup Time          | 1.5                  | —    | 1.5   | —    | 2    | —    | 2     | —    | ns   |
| t <sub>SC</sub>                                | Chip Enable/Select Setup Time       | 1.5                  | —    | 1.5   | —    | 2    | —    | 2     | —    | ns   |
| <b>Hold Times</b>                              |                                     |                      |      |       |      |      |      |       |      |      |
| t <sub>HA</sub>                                | Address Hold Time                   | 0.5                  | —    | 0.5   | —    | 0.5  | —    | 0.5   | —    | ns   |
| t <sub>HS</sub>                                | Address Status Hold Time            | 0.5                  | —    | 0.5   | —    | 0.5  | —    | 0.5   | —    | ns   |
| t <sub>HD</sub>                                | Data In Hold Time                   | 0.5                  | —    | 0.5   | —    | 0.5  | —    | 0.5   | —    | ns   |
| t <sub>HW</sub>                                | Write Hold Time                     | 0.5                  | —    | 0.5   | —    | 0.5  | —    | 0.5   | —    | ns   |
| t <sub>HAV</sub>                               | Address Advance Hold Time           | 0.5                  | —    | 0.5   | —    | 0.5  | —    | 0.5   | —    | ns   |
| t <sub>HC</sub>                                | Chip Enable/Select Hold Time        | 0.5                  | —    | 0.5   | —    | 0.5  | —    | 0.5   | —    | ns   |
| <b>Sleep Mode and Configuration Parameters</b> |                                     |                      |      |       |      |      |      |       |      |      |
| t <sub>ZZPW</sub>                              | ZZ Pulse Width                      | 100                  | —    | 100   | —    | 100  | —    | 100   | —    | ns   |
| t <sub>ZZR</sub> <sup>(3)</sup>                | ZZ Recovery Time                    | 100                  | —    | 100   | —    | 100  | —    | 100   | —    | ns   |
| t <sub>CFG</sub> <sup>(4)</sup>                | Configuration Set-up Time           | 30                   | —    | 34    | —    | 40   | —    | 50    | —    | ns   |

**NOTES:**

1. Measured as HIGH above V<sub>IH</sub> and LOW below V<sub>IL</sub>.
2. Transition is measured ±200mV from steady-state.
3. Device must be deselected when powered-up from sleep mode.
4. t<sub>CFG</sub> is the minimum time required to configure the device based on the  $\overline{\text{LBO}}$  input.  $\overline{\text{LBO}}$  is a static input and must not change during normal operation.
5. 6.5ns speed only available in TQFP package and in commercial temp range.

6450 tbl 16

## Timing Waveform of Flow-Through Read Cycle <sup>(1,2)</sup>



**NOTES:**

1. O1 (Ax) represents the first output from the external address Ax. O1 (Ay) represents the first output from the external address Ay; O2 (Ay) represents the next output data in the burst sequence of the base address Ay, etc. where A0 and A1 are advancing for the four word burst in the sequence defined by the state of the LBO input.
2. ZZ input is LOW and LBO is Don't Care for this cycle.
3. CS0 timing transitions are identical but inverted to the  $\overline{CE}$  and  $\overline{CS1}$  signals. For example, when  $\overline{CE}$  and  $\overline{CS1}$  are LOW on this waveform, CS0 is HIGH.

### Timing Waveform of Combined Flow-Through Read and Write Cycles (1,2,3)



6450 dtw 07

**NOTES:**

1. Device is selected through entire cycle;  $\overline{CE}$  and  $\overline{CS_1}$  are LOW,  $\overline{CS_0}$  is HIGH.
2. ZZ input is LOW and LBO is Don't Care for this cycle.
3. O1 (Ax) represents the first output from the external address Ax. I1 (Ay) represents the first input from the external address Ay. O1 (Az) represents the first output from the external address Az. O2 (Az) represents the next output data in the burst sequence of the base address Az, etc. where A0 and A1 are advancing for the four word burst in the sequence defined by the state of the LBO input.

### Timing Waveform of Write Cycle No. 1 - **GW** Controlled (1,2,3)



6450 drw 08

**NOTES:**

1. ZZ input is LOW, BWE is HIGH and LBO is Don't Care for this cycle.
2. O4 (Aw) represents the final output data in the burst sequence of the base address Aw. I1 (Ax) represents the first input from the external address Ay; I2 (Ay) represents the next input data in the burst sequence of the base address Ay, etc. where A0 and A1 are advancing for the four word burst in the sequence defined by the state of the LBO input. In the case of input I2 (Ay) this data is valid for two cycles because ADV is high and has suspended the burst.
3. CS0 timing transitions are identical but inverted to the CE and CS1 signals. For example, when CE and CS1 are LOW on this waveform, CS0 is HIGH.

### Timing Waveform of Write Cycle No. 2 - Byte Controlled (1,2,3)



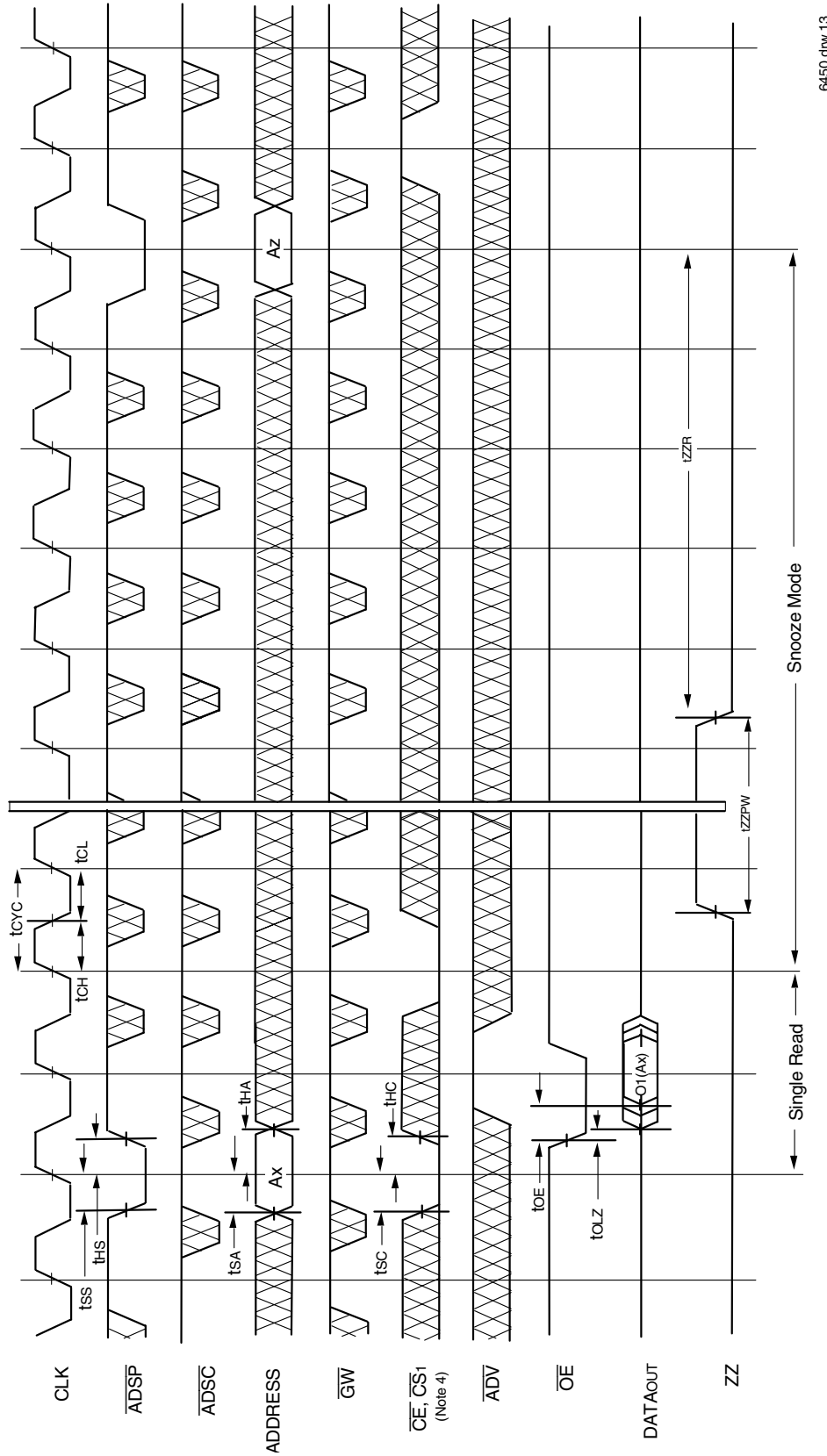
6450 drw.09

**NOTES:**

1. ZZ input is LOW,  $\overline{GW}$  is HIGH and  $\overline{LBO}$  is Don't Care for this cycle.
2. O4 (Aw) represents the final output data in the burst sequence of the base address Aw. I1 (Ax) represents the first input from the external address Ay; I2 (Ay) represents the next input data in the burst sequence of the base address Ay, etc. where A0 and A1 are advancing for the four word burst in the sequence defined by the state of the LBO input. In the case of input I2 (Ay) this data is valid for two cycles because ADV is high and has suspended the burst.
3. CS0 timing transitions are identical but inverted to the  $\overline{CE}$  and  $\overline{CS1}$  signals. For example, when  $\overline{CE}$  and  $\overline{CS1}$  are LOW on this waveform, CS0 is HIGH.



### Timing Waveform of Sleep (ZZ) and Power-Down Modes (1,2,3)



6450 drw 13

**NOTES:**

1. Device must power up in deselected Mode.
2. LBO is Don't Care for this cycle.
3. It is not necessary to retain the state of the input registers throughout the Power-down cycle.
4. CS0 timing transitions are identical but inverted to the CE and CS1 signals. For example, when CE and CS1 are LOW on this waveform, CS0 is HIGH.

## Non-Burst Read Cycle Timing Waveform



### NOTES:

1. ZZ input is LOW,  $\overline{ADV}$  is HIGH and  $\overline{LBO}$  is Don't Care for this cycle.
2. (Ax) represents the data for address Ax, etc.
3. For read cycles,  $\overline{ADSP}$  and  $\overline{ADSC}$  function identically and are therefore interchangeable.

6450 drw 10

## Non-Burst Write Cycle Timing Waveform

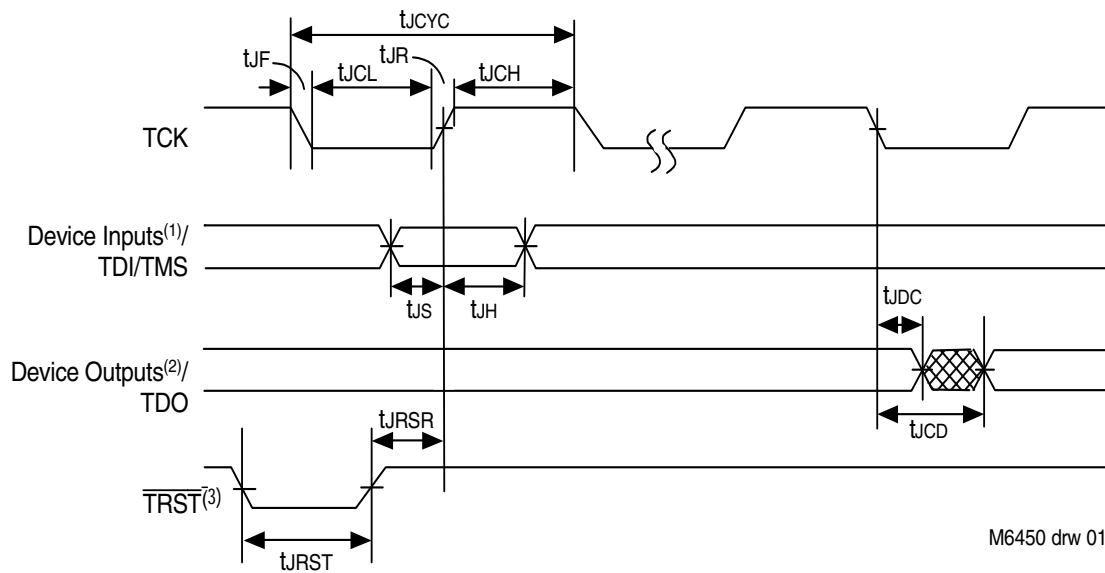


### NOTES:

1. ZZ input is LOW,  $\overline{ADV}$  and  $\overline{OE}$  are HIGH, and  $\overline{LBO}$  is Don't Care for this cycle.
2. (Ax) represents the data for address Ax, etc.
3. Although only  $\overline{GW}$  writes are shown, the functionality of  $\overline{BWE}$  and  $\overline{BWx}$  together is the same as  $\overline{GW}$ .
4. For write cycles,  $\overline{ADSP}$  and  $\overline{ADSC}$  have different limitations.

6450 drw 11

## JTAG Interface Specification (SA Version only)



**NOTES:**

1. Device inputs = All device inputs except TDI, TMS and  $\overline{TRST}$ .
2. Device outputs = All device outputs except TDO.
3. During power up,  $\overline{TRST}$  could be driven low or not be used since the JTAG circuit resets automatically.  $\overline{TRST}$  is an optional JTAG reset.

## JTAG AC Electrical Characteristics<sup>(1,2,3,4)</sup>

| Symbol     | Parameter               | Min. | Max.             | Units |
|------------|-------------------------|------|------------------|-------|
|            |                         |      |                  |       |
| $t_{JCYC}$ | JTAG Clock Input Period | 100  | —                | ns    |
| $t_{JCH}$  | JTAG Clock HIGH         | 40   | —                | ns    |
| $t_{JCL}$  | JTAG Clock Low          | 40   | —                | ns    |
| $t_{JR}$   | JTAG Clock Rise Time    | —    | 5 <sup>(1)</sup> | ns    |
| $t_{JF}$   | JTAG Clock Fall Time    | —    | 5 <sup>(1)</sup> | ns    |
| $t_{JRST}$ | JTAG Reset              | 50   | —                | ns    |
| $t_{JRSR}$ | JTAG Reset Recovery     | 50   | —                | ns    |
| $t_{JCD}$  | JTAG Data Output        | —    | 20               | ns    |
| $t_{JDC}$  | JTAG Data Output Hold   | 0    | —                | ns    |
| $t_{JS}$   | JTAG Setup              | 25   | —                | ns    |
| $t_{JH}$   | JTAG Hold               | 25   | —                | ns    |

l6450 tbl 01

**NOTES:**

1. Guaranteed by design.
2. AC Test Load (Fig. 1) on external output signals.
3. Refer to AC Test Conditions stated earlier in this document.
4. JTAG operations occur at one speed (10MHz). The base device may run at any speed specified in this datasheet.

## Scan Register Sizes

| Register Name              | Bit Size |
|----------------------------|----------|
| Instruction (IR)           | 4        |
| Bypass (BYR)               | 1        |
| JTAG Identification (JIDR) | 32       |
| Boundary Scan (BSR)        | Note (1) |

l6450 tbl 03

**NOTE:**

1. The Boundary Scan Descriptive Language (BSDL) file for this device is available by contacting your local IDT sales representative.

## JTAG Identification Register Definitions (SA Version only)

| Instruction Field                 | Value        | Description  |
|-----------------------------------|--------------|--|
| Revision Number (31:28)           | 0x2          | Reserved for version number.                                     |
| IDT Device ID (27:12)             | 0x22C, 0x22E | Defines IDT part number 71V3577YSA and 71V3579YSA, respectively. |
| IDT JEDEC ID (11:1)               | 0x33         | Allows unique identification of device vendor as IDT.            |
| ID Register Indicator Bit (Bit 0) | 1            | Indicates the presence of an ID register.                        |

I6450 tbl 02

## Available JTAG Instructions

| Instruction    | Description   | OPCODE |
|----------------|---|--------|
| EXTEST         | Forces contents of the boundary scan cells onto the device outputs <sup>(1)</sup> . Places the boundary scan register (BSR) between TDI and TDO.  | 0000   |
| SAMPLE/PRELOAD | Places the boundary scan register (BSR) between TDI and TDO. SAMPLE allows data from device inputs <sup>(2)</sup> and outputs <sup>(1)</sup> to be captured in the boundary scan cells and shifted serially through TDO. PRELOAD allows data to be input serially into the boundary scan cells via the TDI. | 0001   |
| DEVICE_ID      | Loads the JTAG ID register (JIDR) with the vendor ID code and places the register between TDI and TDO.  | 0010   |
| HIGHZ          | Places the bypass register (BYR) between TDI and TDO. Forces all device output drivers to a High-Z state.   | 0011   |
| RESERVED       | Several combinations are reserved. Do not use codes other than those identified for EXTEST, SAMPLE/PRELOAD, DEVICE_ID, HIGHZ, CLAMP, VALIDATE and BYPASS instructions.  | 0100   |
| RESERVED       |   | 0101   |
| RESERVED       |   | 0110   |
| RESERVED       |   | 0111   |
| CLAMP          | Uses BYR. Forces contents of the boundary scan cells onto the device outputs. Places the bypass register (BYR) between TDI and TDO.   | 1000   |
| RESERVED       | Same as above.  | 1001   |
| RESERVED       |   | 1010   |
| RESERVED       |   | 1011   |
| RESERVED       |   | 1100   |
| VALIDATE       | Automatically loaded into the instruction register whenever the TAP controller passes through the CAPTURE-IR state. The lower two bits '01' are mandated by the IEEE std. 1149.1 specification.   | 1101   |
| RESERVED       | Same as above.  | 1110   |
| BYPASS         | The BYPASS instruction is used to truncate the boundary scan register as a single bit in length.  | 1111   |

I6450 tbl 04

### NOTES:

1. Device outputs = All device outputs except TDO.
2. Device inputs = All device inputs except TDI, TMS, and TRST.

## Ordering Information



6450 drw 12

\*6.5ns speed only available in TQFP package and commercial temp range.  
 \*\*JTAG (SA version) is not available with 100 pin TQFP package.

## Package Information

100 Pin Thin Quad Plastic Flatpack (TQFP)

119 Ball Grid Array (BGA)

165 Fine Pitch Ball Grid Array (fBGA)

Information available on the IDT website

## Datasheet Document History

|          |                |   |
|----------|----------------|---|
| 01/30/04 |                | Released Y generation die step datasheet  |
| 04/17/06 | Pg. 21         | Added green (Restricted hazardous substance device) to the datasheet.   |
| 04/02/12 | Pg. 9          | Added Industrial temp range values to the 7.5ns speed in the DC chars table   |
|          | Pg. 21         | Removed die step indicator from the ordering information.<br>Added tape and reel and green to the ordering information.<br>Removed IDT from the ordering information. |
|          | Pg. 1, 12 & 21 | Added 6.5ns speed only available in TQFP package and in commercial temp range.  |



**CORPORATE HEADQUARTERS**  
6024 Silver Creek Valley Road  
San Jose, CA 95138

**for SALES:**  
800-345-7015 or  
408-284-8200  
fax: 408-284-2775  
[www.idt.com](http://www.idt.com)

**for Tech Support:**  
[sramhelp@idt.com](mailto:sramhelp@idt.com)  
408-284-4532

The IDT logo is a registered trademark of Integrated Device Technology, Inc.

# Mouser Electronics

Authorized Distributor

Click to View Pricing, Inventory, Delivery & Lifecycle Information:

## [IDT \(Integrated Device Technology\):](#)

[71V3577S85PFG](#) [71V3577S75BQI8](#) [71V3577S75BQG8](#) [71V3577S85BGI](#) [71V3577S85BGG](#) [71V3577S85BQG](#)  
[71V3577S85BQI](#) [71V3577S85PFG8](#) [71V3579S85PFG8](#) [71V3579S85PFG](#) [71V3577S75BGGI8](#) [71V3579S65PFG](#)  
[71V3577S75PFG8](#) [71V3579S75PFG8](#) [71V3577S75BGGI](#) [71V3579S65PFG8](#) [71V3577S65PFG8](#) [71V3577S85BG8](#)  
[71V3577S85BQ8](#) [71V3577S80BQI8](#) [71V3577S80BGG8](#) [71V3577S80BGI8](#) [71V3577S75BG](#) [71V3577S75BQ](#)  
[71V3577S75PFGI](#) [71V3579S75PFGI](#) [71V3577S80BG8](#) [71V3577S80BQ8](#) [71V3579S75PFG](#) [71V3577S75BG8](#)  
[71V3577S75BQ8](#) [71V3577S75BGI8](#) [71V3577S75BGG8](#) [71V3577S85PFGI](#) [71V3579S85PFGI](#) [71V3579S80PFG](#)  
[71V3579S80PFGI](#) [71V3577S80PFGI](#) [71V3577S65PFG](#) [71V3577S85PFGI8](#) [71V3579S85PFGI8](#) [71V3577S85BQG8](#)  
[71V3577S85BQI8](#) [71V3577S85BGG8](#) [71V3577S85BGI8](#) [71V3579S80PFG8](#) [71V3577S80PFG8](#) [71V3579S80PFGI8](#)  
[71V3577S80BGGI](#) [71V3579S75PFGI8](#) [71V3577S75PFGI8](#) [71V3577S80PFGI8](#) [71V3577S80BGGI8](#)  
[71V3577S85BQ](#) [71V3577S85BG](#) [71V3577S80PFG](#) [71V3577S80BGG](#) [71V3577S80BGI](#) [71V3577S80BQI](#)  
[71V3577S80BQ](#) [71V3577S80BG](#) [71V3577S75PFG](#) [71V3577S75BQG](#) [71V3577S75BGG](#) [71V3577S75BGI](#)  
[71V3577S75BQI](#) [71V3577S65PFGI8](#) [71V3577S65PFGI](#)



Компания «ЭлектроПласт» предлагает заключение долгосрочных отношений при поставках импортных электронных компонентов на взаимовыгодных условиях!

Наши преимущества:

- Оперативные поставки широкого спектра электронных компонентов отечественного и импортного производства напрямую от производителей и с крупнейших мировых складов;
- Поставка более 17-ти миллионов наименований электронных компонентов;
- Поставка сложных, дефицитных, либо снятых с производства позиций;
- Оперативные сроки поставки под заказ (от 5 рабочих дней);
- Экспресс доставка в любую точку России;
- Техническая поддержка проекта, помощь в подборе аналогов, поставка прототипов;
- Система менеджмента качества сертифицирована по Международному стандарту ISO 9001;
- Лицензия ФСБ на осуществление работ с использованием сведений, составляющих государственную тайну;
- Поставка специализированных компонентов (Xilinx, Altera, Analog Devices, Intersil, Interpoint, Microsemi, Aeroflex, Peregrine, Syfer, Eurofarad, Texas Instrument, Miteq, Cobham, E2V, MA-COM, Hittite, Mini-Circuits, General Dynamics и др.);

Помимо этого, одним из направлений компании «ЭлектроПласт» является направление «Источники питания». Мы предлагаем Вам помощь Конструкторского отдела:

- Подбор оптимального решения, техническое обоснование при выборе компонента;
- Подбор аналогов;
- Консультации по применению компонента;
- Поставка образцов и прототипов;
- Техническая поддержка проекта;
- Защита от снятия компонента с производства.



#### Как с нами связаться

**Телефон:** 8 (812) 309 58 32 (многоканальный)

**Факс:** 8 (812) 320-02-42

**Электронная почта:** [org@eplast1.ru](mailto:org@eplast1.ru)

**Адрес:** 198099, г. Санкт-Петербург, ул. Калинина, дом 2, корпус 4, литера А.