





Messrs. Standard			
Product Specification	Model	NMTC-S16100XFYHSAY-16	Rev. No.
			<i>A</i>
		Issued Date.	Page.
		<i>Sept. 05, 17</i>	<i>1 / 28</i>

LIQUID CRYSTAL DISPLAY MODULE  
MODEL: NMTC-S16100XFYHSAY-16  
Customer's No.:

Acceptance

*Microtips Technology Inc.  
12F. No.31 Lane 169, Kang Ning St.,  
His-Chih, Taipei Hsien, Taiwan  
FAX: 886-2-26958625*

Approved and Checked by

Approved by	Checked by		Made by
			



Messrs. Standard					
Product Specification	Model	NMTC-S16100XFYHSAY-16	Rev. No.	Issued Date.	Page.
			A	Sept. 05, 17	2 / 28

Revise Records

Rev.	Date	Contents	Written	Approved
A.	2017/09/05	See Note 1.	Jill Hsu	Danny Lien

Special Notes

Note 1.	The LCD module is compliant with RoHS.
Note 2.	
Note 3.	
Note 4.	
Note 5.	
Note 6.	
Note 7.	



Messrs. Standard					
Product Specification	Model	NMTC-S16100XFYHSAY-16	Rev. No.	Issued Date.	Page.
			<i>A</i>	<i>Sept. 05, 17</i>	<i>3 / 28</i>

## Contents

<b>1. GENERAL SPECIFICATIONS</b> .....	4
<b>2. ELECTRICAL SPECIFICATIONS</b> .....	5
2.1 Absolute Maximum Ratings.....	5
2.2 Environmental Absolute Maximum Ratings.....	5
2.3 Lighting Specifications.....	6
2.3.1 Absolute Maximum Ratings.....	6
2.3.2 Operating Characteristics.....	6
<b>3. OPTICALSPECIFICATIONS</b> .....	7
3.1 LCD Driving Voltage.....	7
<b>4. I/O TERMINAL</b> .....	10
<b>5. TIMING CHARACTERISTICS</b> .....	12
<b>6. READ/WRITE TIMING CHART</b> .....	13
<b>7. COMMANDS</b> .....	14
<b>8. COMMANDS DESCRIPTION</b> .....	15
<b>9. DD RAM ADDRESSING</b> .....	19
<b>10. CG RAM MAPPING</b> .....	21
<b>11. CHARACTER FONT TABLE</b> .....	22
<b>12. RELIABILITY TEST</b> .....	23
<b>13. APPEARANCE CHECK</b> .....	23
<b>14. HANDLING PRECAUTIONS</b> .....	24
<b>15. LCD PRODUCT QUALITY STANDARD</b> .....	25
<b>16. WARRANTY</b> .....	27
<b>17. DIMENSIONAL OUTLINES</b> .....	27



Messrs. Standard					
Product Specification	Model	NMTC-S16100XFYHSAY-16	Rev. No.	Issued Date.	Page.
			<i>A</i>	<i>Sept. 05, 17</i>	<i>4 / 28</i>

**The Microtips Customized LCD module, model: NMTC-S16100XFYHSAY-16 is compliant with RoHS**

## **1. GENERAL SPECIFICATIONS**

Operating Temperature.	:	Min. -20°C ~ Max. 70°C
Storage Temperature.	:	Min. -30°C ~ Max. 80°C
Display Format	:	16 Characters x 1 line
Character Size	:	3.1 mm x 6.59 mm
Character Pitch	:	3.77 mm
Dot Size	:	0.58 (W) mm × 0.78 (H) mm
Dot Pitch	:	0.63 (W) x 0.83 (H) mm
Outline Dimensions	:	80.0 (W) x 36.0 (H) x 14.5 max. (D) mm
Weight	:	N/A
LCD Type	:	STN / Yellow Green Mode / Transflective
Viewing Direction	:	6:00
Backlight Color	:	Array LED (Yellow Green)
LCD LSI	:	ST 7066
Drawings	:	As attached drawings



Messrs. Standard					
Product Specification	Model	NMTC-S16100XFYHSAY-16	Rev. No.	Issued Date.	Page.
			A	Sept. 05, 17	5 / 28

## 2. ELECTRICAL SPECIFICATIONS

### 2.1 Absolute Maximum Ratings

Item	Symbol	Min.	Max.	Unit	Note
Power Supply for Logic	$V_{DD} - V_{SS}$	-0.3	7.0	Volt	--
Power Supply for LCD	$V_{DD} - V_o$	0	15.0	Volt	--
Input Voltage	$V_{IN}$	-0.3	$V_{DD} + 0.3$	Volt	--
Supply Current for LED backlight	$I_{LED}$	--	220	mA	--

Note: Operator should be grounded during handling LCM.

### 2.2 Environmental Absolute Maximum Ratings

Item	Normal Temperature				Wide Temperature			
	Operating		Storage		Operating		Storage	
	Max,	Min.	Max,	Min.	Max,	Min.	Max,	Min.
Ambient Temperature	0°C	+50°C	-20°C	+70°C	-20°C	+60°C	-30°C	+70°C
Humidity(without condensation)	Note 2, 4		Note 3, 5		Note 4, 5		Note 4, 6	

Note 1:  $T_a \leq 50^\circ\text{C}$ : 80% RH max

Note 2:  $T_a > 50^\circ\text{C}$ : Absolute humidity must be lower than the humidity of 85% RH at  $50^\circ\text{C}$

Note 3:  $T_a$  at  $-20^\circ\text{C}$  will be < 48hrs at  $70^\circ\text{C}$  will be < 120hrs when humidity is higher than 70%.

Note 4: Background color changes slightly depending on ambient temperature. This phenomenon is reversible.

Note 5:  $T_a \leq 70^\circ\text{C}$ : 75RH max

$T_a > 70^\circ\text{C}$ : absolute humidity must be lower than the humidity of 75% RH at  $70^\circ\text{C}$

Note 6:  $T_a$  at  $-30^\circ\text{C}$  will be < 48hrs, at  $80^\circ\text{C}$  will be < 120hrs when humidity is higher than 70%.



Messrs. Standard					
Product Specification	Model	NMTC-S16100XFYHSAY-16	Rev. No.	Issued Date.	Page.
			A	Sept. 05, 17	6 / 28

### 2.3 Lighting Specifications

#### 2.3.1 Absolute Maximum Ratings

Ta = 25°C

Parameter	Symbol	Conditions	Min.	Typ.	Max.	Units
Forward Current	I <sub>F</sub>	--	--	--	130	mA
Reverse Voltage	V <sub>R</sub>	--	--	--	4.2	V
LED Power Dissipation	P <sub>D</sub>	--	--	--	260	W

#### 2.3.2 Operating Characteristics

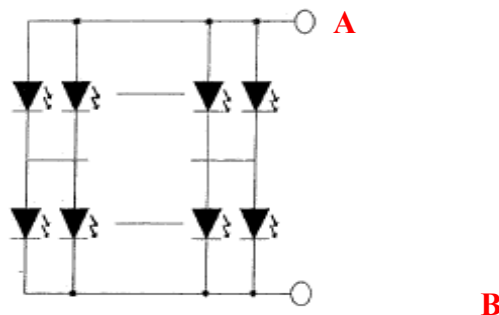
Ta = 25°C

Parameter	Symbol	Conditions	Min.	Typ.	Max.	Units
Forward Voltage	V <sub>F</sub>	I <sub>F</sub> = 130mA	3.8	4.2	4.5	V
Luminous Intensity	I <sub>v</sub>	I <sub>F</sub> = 130mA	140	220	--	cd/m <sup>2</sup>
Reverse Current	I <sub>R</sub>	V <sub>R</sub> = 8V	--	--	1.3	uA
Luminous Tolerance**	--	I <sub>F</sub> = 130mA	75	--	--	%
Peak Wavelength	λ <sub>P</sub>	I <sub>F</sub> = 20mA Per chip	571	573	576	nm

\*Measured from backlight surface.

\*\*Luminance tolerance = (Max. – Min. / Max) x 100%

#### Internal Circuit Diagram



**A: Anode    K: Cathode**  
**LED Numbers: 13 x 2 = 26**



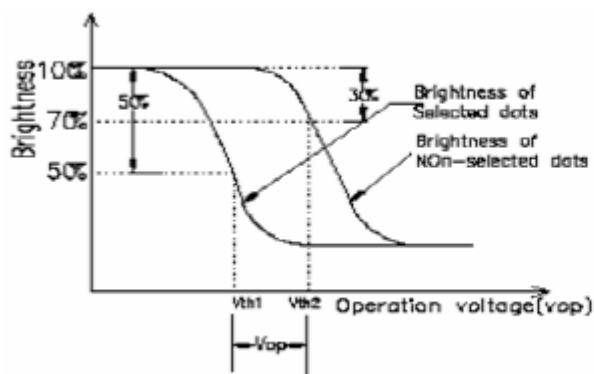
Messrs. Standard					
Product Specification	Model	NMTC-S16100XFYHSAY-16	Rev. No.	Issued Date.	Page.
			A	Sept. 05, 17	7 / 28

### 3. OPTICAL SPECIFICATIONS

#### 3.1 LCD Driving Voltage

Item	Symbol	Condition	Min.	Typ.	Max.	Unit	Note	
LCM Recommend LCD Module Driving Voltage	Vop	Ta = -20°C	4.59	4.73	4.87	Volt	Note 1	
		Ta = 25°C	4.0	4.2	4.4			
		Ta = 70°C	3.95	4.07	4.19			
Frame Frequency	fF	Ta = 25°C	32	64	128	Hz	--	
DC Resistance	RLC		100	--	--	MΩ	--	
Viewing Angle Cr ≥ 2	Φ = 0°		θ 1	--	40	--	Degree	Note 3
	Φ = 180°		θ 2	--	40	--		
	Φ = 90°		θ 3	--	50	--		
	Φ = 270°		θ 4	--	55	--		
Response Time	Rise Time		Tr	--	250	750	mS	Note 2
	Fall Time		Tf	--	300	900		
Contrast Ratio	Cr			--	10	--	--	Note 4

#### [Note 1] Definition of Operation Voltage (Vop)

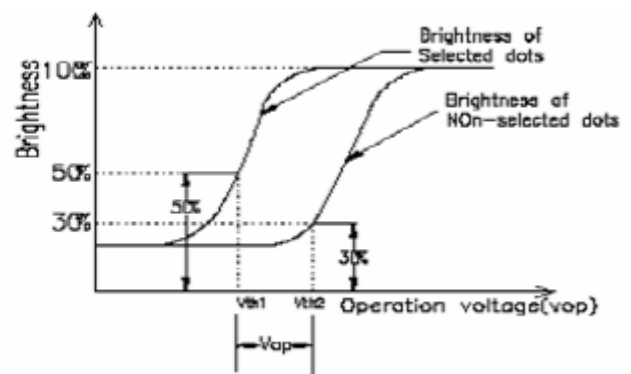


#### Positive type

Conditions:

- Vth 1: (1) Temperature: See Individual Specification.  
 (2) Viewing Angle ( $\theta$ ): Minimum Value in Individual Specification  
 (3) Driving Frequency: Maximum Value in Individual Specification.  
 (4) Waveform: Selected Waveform.

- Vth 2: (1) Temperature: See Individual Specification.  
 (2) Viewing Angle ( $\theta$ ): Maximum Value in Individual Specification  
 (3) Driving Frequency: Maximum Value in Individual Specification.  
 (4) Waveform: Non – Selected Waveform.

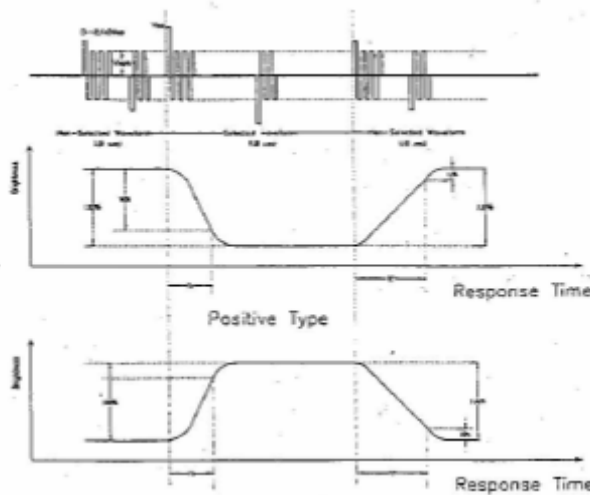


#### Negative type



Messrs. Standard					
Product Specification	Model	NMTC-S16100XFYHSAY-16	Rev. No.	Issued Date.	Page.
			A	Sept. 05, 17	8 / 28

**[Note 2] Definition of Response Time (Tr, Tf)**

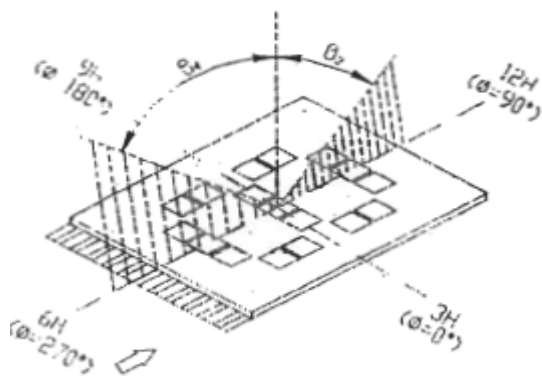


**Negative Type**

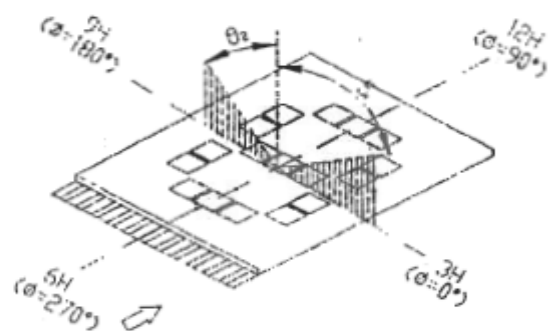
Conditions:

1. Viewing Angle ( $\theta$ ): Minimum Value in Individual Specification
2. Operating Voltage (Vop): See Individual Specification.
3. Driving Frequency: Typical Value in Individual Specification
4. Driving Waveform: See Individual Specification.
5. Measuring Temperature: See Individual Specification.

**[Note 3] Definition of Viewing Direction and Angles**



**Viewing Direction**



**Viewing Direction**

Viewing Angles: ( $\theta 1, \theta 2, \theta 3, \theta 4$ ) measuring conditions:

1. Temperature: See Individual Specification
2. Operating Voltage (Vop): See Individual Specification
3. Contrast Ratio (Cr) Minimum: Cr = 2
4. Driving Frequency: See Individual Specification

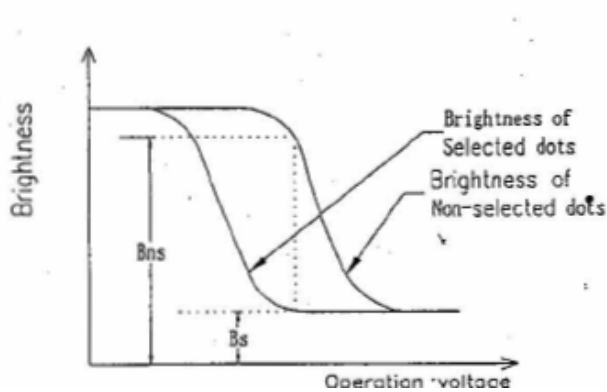




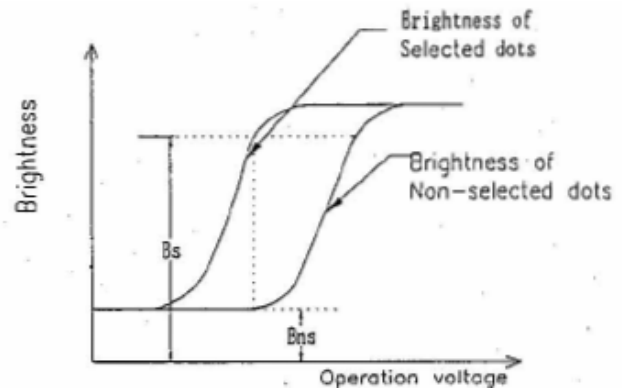
Messrs. Standard					
Product Specification	Model	NMTC-S16100XFYHSAY-16	Rev. No.	Issued Date.	Page.
			A	Sept. 05, 17	9 / 28

**[Note 4] Definition of Contrast Ratio (Cr)**

1. Brightness – Operating Voltage Curve



**Positive type**



**Negative type**

Conditions:

1. Operating Voltage: Vop
2. Temperature: See Individual Specification
3. Viewing Angles: See Individual Specification
4. Driving Frequency: Typical Value in Individual Specification
5. Driving Waveform: 1/N Duty, 1/a Bias waveform

2. Definition of Contrast Ratio (Cr)

$$\text{Positive Type: Cr} = \frac{\text{Brightness of Non – Selected dots (Bns)}}{\text{Brightness of Selected dots (Bs)}}$$

$$\text{Negative Type Cr} = \frac{\text{Brightness of Selected dots (Bs)}}{\text{Brightness of Non – Selected dots (Bns)}}$$



Messrs. Standard					
Product Specification	Model	NMTC-S16100XFYHSAY-16	Rev. No.	Issued Date.	Page.
			A	Sept. 05, 17	10 / 28

#### 4. I/O TERMINAL

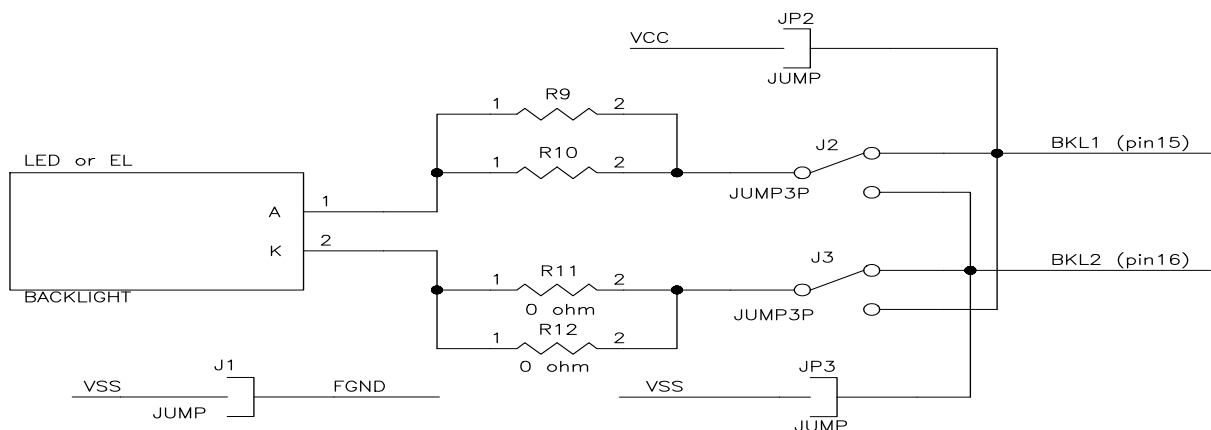
Pin Assignment

Pin no.	Pin out	Description
1.	V <sub>SS</sub>	Ground
2.	V <sub>DD</sub>	Logic Circuit Power Supply
3.	V <sub>O</sub>	Power Supply For LCD Panel
4.	RS	Data / Instruction Register Select
5.	R/W	Read / Write Select
6.	E	Enable Signal
7. ~ 14.	DB0 ~ DB7	3 – State I/O Data Bus
15.	BKL1	Power Supply for Backlight. See JUMPER EXPLANATION below. 100V / 400Hz AC for EL, 4.2V or 120 ~ 180mA DC for LED backlight
16.	BKL2	Don't care if no backlight

#### JUMPER EXPLANATION

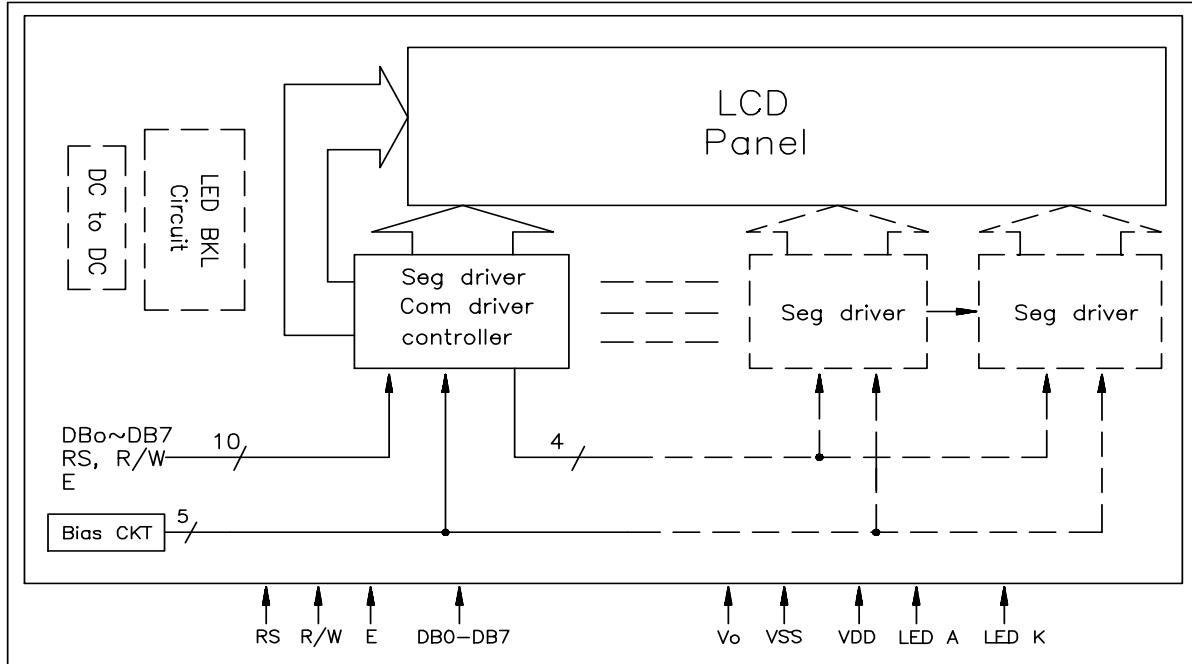
1. JP2 and JP3 are both short: Pin15 is short with pin2 and pin16 is short with pin1. Backlight powered up via V<sub>DD</sub> (pin2) and V<sub>SS</sub> (pin1). Customer does not need to supply power to pin15 and pin16.
2. JP2 short and JP3 open: Pin 15 is short with Pin2 and pin16 is NOT short with pin1. Backlight is powered with V<sub>DD</sub> (same as logic circuit) and customer should keep pin 15 floating or connected to V<sub>DD</sub>. Customer could control the backlight independently ON or OFF with pin16 L or H.
3. JP2 open and JP3 short: Pin 15 is NOT short with pin 2 and pin16 is short with pin1. Backlight is common VSS with logic and customer should keep pin16 floating or connected to GND (V<sub>SS</sub>). Customer could control the backlight ON or OFF with pin15 H or L
4. JP2 and JP3 are both open: The backlight is fully independent with the logic, control the backlight via pin15 / pin16 or A / K.
5. J1 short: Bezel and screw holes connected to GND. J1 open: Bezel and screw holes floating
6. Never change the J2 and J3, it may burn off your system.

Note: J1, JP2 and JP3 are #0805 0 ohm resistors on the rear side of the PCB

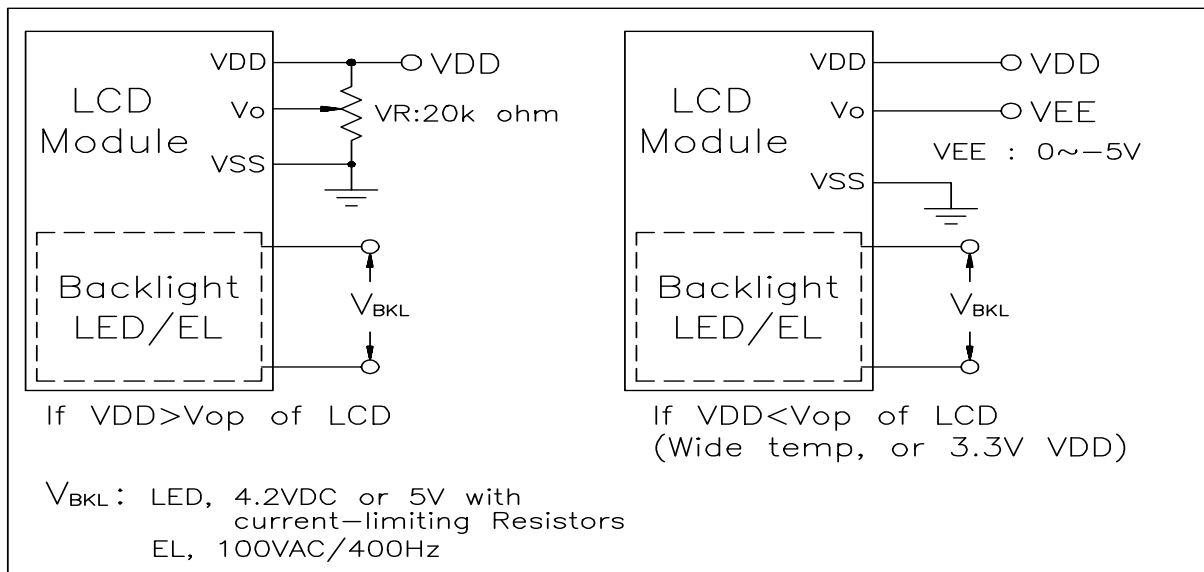


Messrs. Standard					
Product Specification	Model	NMTC-S16100XFYHSAY-16	Rev. No.	Issued Date.	Page.
			A	Sept. 05, 17	11 / 28

### Block Diagram



### Power Supply



Messrs. Standard					
Product Specification	Model	NMTC-S16100XFYHSAY-16	Rev. No.	Issued Date.	Page.
			A	Sept. 05, 17	12 / 28

## 5. TIMING CHARACTERISTICS

AC Characteristics ( $V_{SS}=0V$ ,  $V_{DD}=4.5V$  to  $5.0V$ ,  $T_a = 0$  to  $50^{\circ}C$ )

Mode	Characteristic	Symbol	Min.	Typ.	Max.	Unit
Write Mode	E Cycle Time	$t_C$	500	--	--	ns
	E Rise / Fall Time	$t_R, t_F$	--	--	20	ns
	E Pulse Width (High, Low)	$t_W$	230	--	--	ns
	R/W And RS Setup Time	$t_{SU1}$	40	--	--	ns
	R/W And RS Hold Time	$t_{H1}$	10	--	--	ns
	Data Setup Time	$t_{SU2}$	80	--	--	ns
	Data Hold Time	$t_{H2}$	10	--	--	ns
Read Mode	E Cycle Time	$t_C$	500	--	--	ns
	E Rise / Fall Time	$t_R, t_F$	--	--	20	ns
	E Pulse Width (High, Low)	$t_W$	230	--	--	ns
	R/W And RS Setup Time	$t_{SU}$	40	--	--	ns
	R/W And RS Hold Time	$t_H$	10	--	--	ns
	Data Setup Time	$t_D$	--	--	120	ns
	Data Hold Time	$t_{DH}$	5	--	--	ns

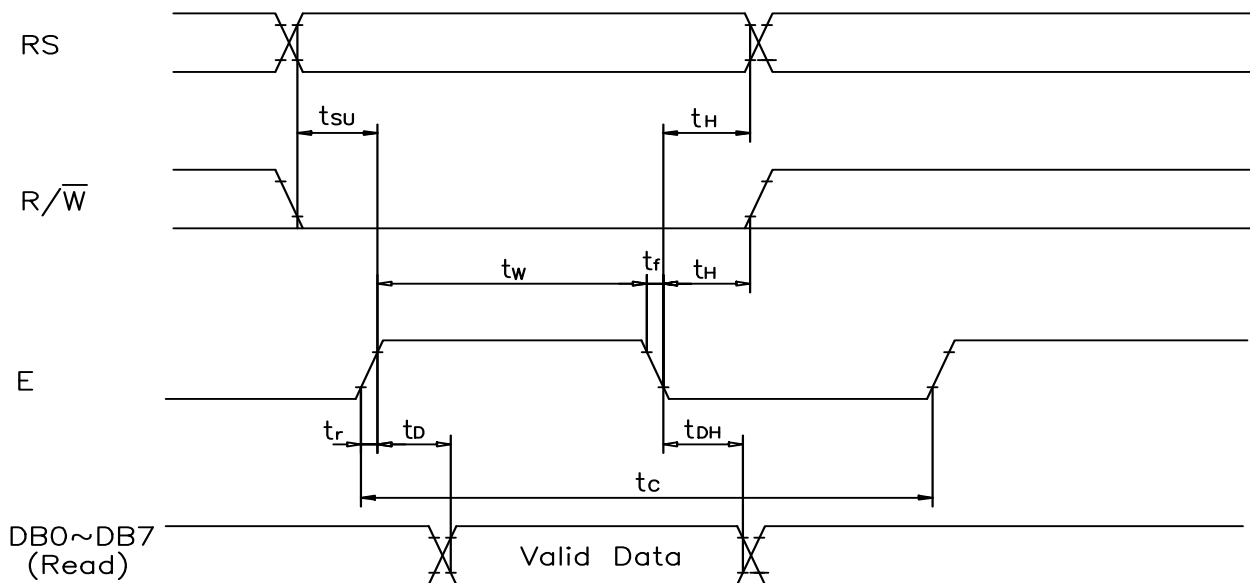
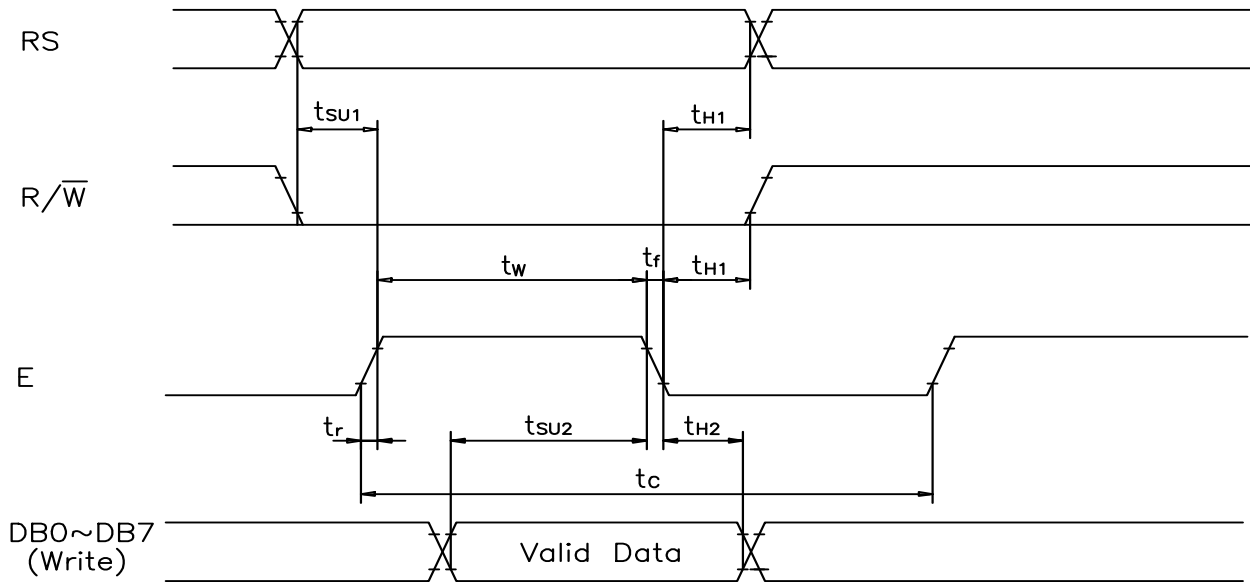
AC Characteristics ( $V_{SS}=0V$ ,  $V_{DD}=2.7V$  to  $4.5V$ ,  $T_a = 0$  to  $50^{\circ}C$ )

Mode	Characteristic	Symbol	Min.	Typ.	Max.	Unit
Write Mode	E Cycle Time	$t_C$	1000	--	--	ns
	E Rise / Fall Time	$t_R, t_F$	--	--	25	ns
	E Pulse Width (High, Low)	$t_W$	450	--	--	ns
	R/W And RS Setup Time	$t_{SU1}$	60	--	--	ns
	R/W And RS Hold Time	$t_{H1}$	20	--	--	ns
	Data Setup Time	$t_{SU2}$	195	--	--	ns
	Data Hold Time	$t_{H2}$	10	--	--	ns
Read Mode	E Cycle Time	$t_C$	1000	--	--	ns
	E Rise / Fall Time	$t_R, t_F$	--	--	25	ns
	E Pulse Width (High, Low)	$t_W$	450	--	--	ns
	R/W And RS Setup Time	$t_{SU}$	60	--	--	ns
	R/W And RS Hold Time	$t_H$	20	--	--	ns
	Data Setup Time	$t_D$	--	--	360	ns
	Data Hold Time	$t_{DH}$	5	--	--	ns



Messrs. Standard					
Product Specification	Model	NMTC-S16100XFYHSAY-16	Rev. No.	Issued Date.	Page.
			A	Sept. 05, 17	13 / 28

## 6. READ / WRITE TIMING CHART



Messrs. Standard					
Product Specification	Model	NMTC-S16100XFYHSAY-16	Rev. No.	Issued Date.	Page.
			A	Sept. 05, 17	14 / 28

## 7. COMMANDS

Instruction	Instruction Code										Description	Execution time (f <sub>osc</sub> is 270kHz)	
	RS	R/W	DB7	DB6	DB5	DB4	DB3	DB2	DB1	DB0			
Clear Display	0	0	0	0	0	0	0	0	0	0	1	Write "20H" to DDRAM. and set DDRAM address to "00H" from AC	1.53mS
Return Home	0	0	0	0	0	0	0	0	0	1	*	Set DDRAM address to "00H" from AC and return cursor to its original position if shifted. The contents of DDRAM are not changed.	1.53mS
Entry Mode	0	0	0	0	0	0	0	0	1	I/D	SH	Assign cursor moving direction and make shift of entire display enable.	39 μS
Display ON/OFF	0	0	0	0	0	0	0	1	D	C	B	Set display (D), cursor (C), and blinking of cursor (B) on/off control bit.	39 μS
Cursor or Display Shift	0	0	0	0	0	1	S/C	R/L	*	*	*	Set cursor moving and display shift control bit, and the direction, without changing DDRAM data.	39 μS
Function Set	0	0	0	0	1	DL	N	F	*	*	*	Set interface data length (DL: 4 – bit / 8 – bit), numbers of display line (N: 1 – line / 2 – line), display font type(F: 5 X 8 dots / 5 X 11 dots)	39 μS
Set CG RAM Address	0	0	0	1	AC5	AC4	AC3	AC2	AC1	AC0	AC0	Set CGRAM address in address counter.	39 μS
Set DD RAM Address	0	0	1	AC6	AC5	AC4	AC3	AC2	AC1	AC0	AC0	Set DDRAM address in address counter.	39 μS
Read Busy Flag and Address	0	1	BF	AC6	AC5	AC4	AC3	AC2	AC1	AC0	AC0	Whether during internal operation or not can be known by reading BF. The contents of address counter can also be read.	0 μS
Write Data to RAM	1	0	D7	D6	D5	D4	D3	D2	D1	D0	D0	Write data into internal RAM (DDRAM / CGRAM).	43 μS
Read Data from RAM	1	1	D7	D6	D5	D4	D3	D2	D1	D0	D0	Read data from internal RAM (DDRAM / CGRAM).	43 μS

\* means don't care



Messrs. Standard					
Product Specification	Model	NMTC-S16100XFYHSAY-16	Rev. No.	Issued Date.	Page.
			A	Sept. 05, 17	15 / 28

## 8. COMMANDS DESCRIPTION

### Clear Display

RS	R/W	DB7	DB6	DB5	DB4	DB3	DB2	DB1	DB0
0	0	0	0	0	0	0	0	0	1

Clear all the display data by writing "20H" (space code) to all DDRAM address, and set DDRAM address to "00H" into AC (address counter). Return cursor to the original status. namely, bring the cursor to the left edge on first line of the display. Make entry mode increment (I/D = "1").

### Return Home

RS	R/W	DB7	DB6	DB5	DB4	DB3	DB2	DB1	DB0
0	0	0	0	0	0	0	0	1	*

Return Home is cursor return home instruction. Set DDRAM address to "00H" into the address counter. Return cursor to its original site and return display to its original status, if shifted. Content of DDRAM is not changed.

### Entry Mode Set

RS	R/W	DB7	DB6	DB5	DB4	DB3	DB2	DB1	DB0
0	0	0	0	0	0	0	1	I/D	SH

Set the moving direction of cursor and display.

#### **I/D: Increment / decrement of DDRAM address (cursor or blink)**

When I/D = "High", cursor/blink moves to right and DDRAM address is increased by 1.

When I/D = "Low", cursor/blink moves to left and DDRAM address is decreased by 1.

\* CGRAM operates the same as DDRAM, when read from or write to CGRAM.

#### **SH: Shift of entire display**

When DDRAM read (CGRAM read/write) operation or SH = "Low", shift of entire display is not performed.

If SH = "High" and DDRAM write operation, shift of entire display is performed according to I/D value (I/D = "1", shift left, I/D = "0": shift right).



Messrs. Standard					
Product Specification	Model	NMTC-S16100XFYHSAY-16	Rev. No.	Issued Date.	Page.
			A	Sept. 05, 17	16 / 28

### Display ON/OFF Control

RS	R/W	DB7	DB6	DB5	DB4	DB3	DB2	DB1	DB0
0	0	0	0	0	0	1	D	C	B

Control display / cursor / blink ON/OFF 1 bit register.

#### D: Display ON/OFF control bit

When D = "High", entire display is turned on.

When D = "Low", display is turned off, but display data is remained in DDRAM.

#### C: Cursor ON/OFF control bit

When C = "High", cursor is turned on.

When C = "Low", cursor is disappeared in current display, but I/D register remains its data.

#### B: Cursor Blink ON/OFF control bit

When B = "High", cursor blink is on, that performs alternate between all the high data and display character at the cursor position.

When B = "Low", blink is off.

### Cursor or Display Shift

RS	R/W	DB7	DB6	DB5	DB4	DB3	DB2	DB1	DB0
0	0	0	0	0	1	S/C	R/L	*	*

Without writing or reading of display data, shift right / left cursor position or display.

This instruction is used to correct or search display data. (Refer to Table 4)

During 2 – line mode display, cursor moves to the 2nd line after 40th digit of 1st line.

Note that display shift is performed simultaneously in all the line.

When displayed data is shifted repeatedly, each line shifted individually.

When display shift is performed, the contents of address counter are not changed.

S/C	R/L	Operation
0	0	Shift cursor to the left, AC is decreased by 1.
0	1	Shift cursor to the right, AC is increased by 1.
1	0	Shift all of the display to the left, cursor moves according to the display.
1	1	Shift all of the display to the right, cursor moves according to the display.





Messrs. Standard					
Product Specification	Model	NMTC-S16100XFYHSAY-16	Rev. No.	Issued Date.	Page.
			A	Sept. 05, 17	17 / 28

### Function Set

RS	R/W	DB7	DB6	DB5	DB4	DB3	DB2	DB1	DB0
00	0	0	0	1	DL	N	F	*	*

#### DL: Interface data length control bit

When DL = "High", it means 8-bit bus mode with MPU.

When DL = "Low", it means 4-bit bus mode with MPU. So to speak, DL is a signal to select 8 – bit or 4 – bit bus mode. When 4 – bit bus mode, it needs to transfer 4 – bit data by two times.

#### N: Display line number control bit

When N = "Low", it means 1 – line display mode.

When N = "High", 2 – line display mode is set.

#### F: Display font type control bit

When F = "Low", it means 5 X 8 dots format display mode

When F = "High", 5 x11 dots format display mode.

### Set CG RAM Address

RS	R/W	DB7	DB6	DB5	DB4	DB3	DB2	DB1	DB0
0	0	0	1	AC5	AC4	AC3	AC2	AC1	AC0

Set CGRAM address to AC.

This instruction makes CGRAM data available from MPU.

### Set DD RAM Address

RS	R/W	DB7	DB6	DB5	DB4	DB3	DB2	DB1	DB0
0	0	1	AC6	AC5	AC4	AC3	AC2	AC1	AC0

Set DDRAM address to AC.

This instruction makes DDRAM data available from MPU.

When 1 – line display mode (N = 0), DDRAM address is from "00H" to "4FH".

In 2 – line display mode (N = 1), DDRAM address in the 1st line is from "00H" to "27H", and DDRAM address in the 2nd line is from "40H" to "67H".

### Read Busy Flag and Address

RS	R/W	DB7	DB6	DB5	DB4	DB3	DB2	DB1	DB0
0	1	BF	AC6	AC5	AC4	AC3	AC2	AC1	AC0

This instruction shows whether ST 7066 is in internal operation or not. If the resultant BF is High, it means the internal operation is in progress and you have to wait until BF to be Low, and then the next instruction can be performed. In this instruction you can read also the value of address counter.



Messrs. Standard					
Product Specification	Model	NMTC-S16100XFYHSAY-16	Rev. No.	Issued Date.	Page.
			A	Sept. 05, 17	18 / 28

### Write Data to RAM

RS	R/W	DB7	DB6	DB5	DB4	DB3	DB2	DB1	DB0
1	0	D7	D6	D5	D4	D3	D2	D1	D0

Write binary 8 – bit data to DDRAM / CGRAM.

The selection of RAM from DDRAM, CGRAM, is set by the previous address set instruction: DDRAM address set, CGRAM address set. RAM set instruction can also determine the AC direction to RAM. After write operation, the address is automatically increased/decreased by 1, according to the entry mode.

### Read Data to RAM

RS	R/W	DB7	DB6	DB5	DB4	DB3	DB2	DB1	DB0
1	0	D7	D6	D5	D4	D3	D2	D1	D0

Read binary 8 – bit data from DDRAM / CGRAM.

The selection of RAM is set by the previous address set instruction. If address set instruction of RAM is not performed before this instruction, the data that read first is invalid, because the direction of AC is not determined.

If you read RAM data several times without RAM address set instruction before read operation, you can get correct RAM data from the second, but the first data would be incorrect, because there is no time margin to transfer RAM data.

In case of DDRAM read operation, cursor shift instruction plays the same role as DDRAM address set instruction : it also transfers RAM data to output data register. After read operation address counter is automatically increased / decreased by 1 according to the entry mode. After CGRAM read operation, display shift may not be executed correctly.

Note: In case of RAM write operation, after this AC is increased / decreased by 1 like read operation. In this time, AC indicates the next address position, but you can read only the previous data by read instruction.



Messrs. Standard					
Product Specification	Model	NMTC-S16100XFYHSAY-16	Rev. No.	Issued Date.	Page.
			A	Sept. 05, 17	19 / 28

## 9. DD RAM ADDRESSING

### For 16×1 or 8×1 Display

Character	1	2	3	4	5	6	7	8	9	10	11	12	13	14	15	16
DD RAM Address	00	01	02	03	04	05	06	07	40	41	42	43	44	45	46	47

### For 16×2 or 8×2 Display

Character	1	2	3	4	5	6	7	8	9	10	11	12	13	14	15	16
DD RAM Address	00	01	02	03	04	05	06	07	08	09	0A	0B	0C	0D	0E	0F
	40	41	42	43	44	45	46	47	48	49	4A	4B	4C	4D	4E	4F

### For 16×4 Display

Character	1	2	3	4	5	6	7	8	9	10	11	12	13	14	15	16
DD RAM Address	00	01	02	03	04	05	06	07	08	09	0A	0B	0C	0D	0E	0F
	40	41	42	43	44	45	46	47	48	49	4A	4B	4C	4D	4E	4F
	10	11	12	13	14	15	16	17	18	19	1A	1B	1C	1D	1E	1F
	50	51	52	53	54	55	56	57	58	59	5A	5B	5C	5D	5E	5F

### For 20 × 2 Display

Character	1	2	3	4	5	6	7	8	9	10	...	...	17	18	19	20
DD RAM Address	00	01	02	03	04	05	06	07	08	09	...	...	10	11	12	13
	40	41	42	43	44	45	46	47	48	49	...	...	50	51	52	53

### For 20 × 4 Display

Character	1	2	3	4	5	6	7	8	9	10	...	...	17	18	19	20
DD RAM Address	00	01	02	03	04	05	06	07	08	09	...	...	10	11	12	13
	40	41	42	43	44	45	46	47	48	49	...	...	50	51	52	53
	14	15	16	17	18	19	1A	1B	1C	1D	...	...	24	25	26	27
	54	55	56	57	58	59	5A	5B	5C	5D	...	...	64	65	66	67



Messrs. Standard					
Product Specification	Model	NMTC-S16100XFYHSAY-16	Rev. No.	Issued Date.	Page.
			<i>A</i>	<i>Sept. 05, 17</i>	<i>20 / 28</i>

**For 40 × 2 Display**

Character	1	2	3	4	5	6	7	8	9	10	...	...	37	38	39	40
DD RAM Address	00	01	02	03	04	05	06	07	08	09	...	...	24	25	26	27
	40	41	42	43	44	45	46	47	48	49	...	...	64	65	66	67

**For 40 × 4 Display**

Character	E	1	2	3	4	5	6	7	8	9	10	...	...	37	38	39	40
DD RAM Address	E1	00	01	02	03	04	05	06	07	08	09	...	...	24	25	26	27
		40	41	42	43	44	45	46	47	48	49	...	...	64	65	66	67
	E2	00	01	02	03	04	05	06	07	08	09	...	...	24	25	26	27
		40	41	42	43	44	45	46	47	48	49	...	...	64	65	66	67



Messrs. Standard					
Product Specification	Model	NMTC-S16100XFYHSAY-16	Rev. No.	Issued Date.	Page.
			A	Sept. 05, 17	21 / 28

### 10. CG RAM MAPPING

Character Code (DD RAM data)								CG RAM Address								Character Patterns (CG RAM data)								
7	6	5	4	3	2	1	0	5	4	3	2	1	0	7	6	5	4	3	2	1	0			
High				Low				High				Low				High				Low				
0	0	0	0	*	0	0	0	0	0	0	0	0	0	0	1	1	0	0	0	0	0	←Character Pattern		
														1	0	0	1	0	0	0	0			
														0	0	1	0	0	0	0	0			
														0	1	0	0	0	0	0	0			
														1	1	1	1	1	0	0	0			
														0	0	0	0	0	0	0	0	←Cursor		
														0	0	0	0	0	0	0	0			
														0	0	0	0	0	0	0	0			
														1	1	1	1	1	1	1	1			
														1	0	0	0	0	1	0	1	←Character Pattern		
														1	0	1	0	1	1	1	1			
														1	0	1	1	1	1	1	1			
														1	0	1	0	1	0	1	1			
														1	0	0	0	0	1	0	1			
														1	1	1	1	1	1	1	1			
														0	0	0	0	0	0	0	0	←Cursor		



Messrs. Standard					
Product Specification	Model	NMTC-S16100XFYHSAY-16	Rev. No.	Issued Date.	Page.
			A	Sept. 05, 17	22 / 28

### 11. CHARACTER FONT TABLE

Upper 4 bits Lower 4 bits	0000	0001	0010	0011	0100	0101	0110	0111	1000	1001	1010	1011	1100	1101	1110	1111
0000	CG RAM (1)			0	a	P	\	F				—	9	E	o	p
0001	CG RAM (2)		!	1	A	Q	a	4			a	7	7	4	ä	q
0010	CG RAM (3)		"	2	B	R	b	r			r	4	W	W	o	o
0011	CG RAM (4)		#	3	C	S	c	s			J	U	T	E	e	o
0100	CG RAM (5)		*	4	D	T	d	t			\	I	T	t	W	a
0101	CG RAM (6)		%	5	E	U	e	u			.	o	+	1	e	ü
0110	CG RAM (7)		&	6	F	V	f	v			3	h	2	3	o	z
0111	CG RAM (8)		'	7	G	W	g	w			7	+	7	9	g	π
1000	CG RAM (1)		(	8	H	X	h	x			4	o	*	U	7	π
1001	CG RAM (2)		)	9	I	Y	i	y			o	T	U	U	7	y
1010	CG RAM (3)		*	#	J	Z	j	z			π	o	U	U	j	7
1011	CG RAM (4)		+	;	K	L	k	l			*	7	o	o	°	π
1100	CG RAM (5)		,	<	L	#	l	l			h	3	o	o	°	π
1101	CG RAM (6)		—	—	M	N	m	n			π	z	U	U	+	÷
1110	CG RAM (7)		.	>	N	^	n	+			3	o	o	°	π	
1111	CG RAM (8)		/	?	O	_	o	+			U	U	U	U	o	■



Messrs. Standard					
Product Specification	Model	NMTC-S16100XFYHSAY-16	Rev. No.	Issued Date.	Page.
			A	Sept. 05, 17	23 / 28

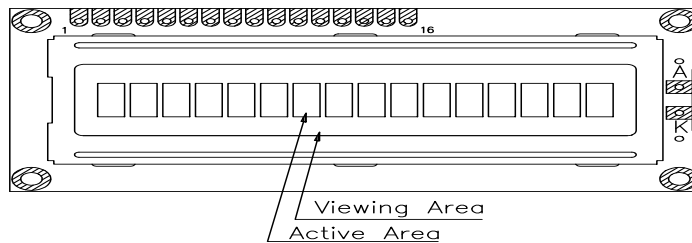
**12. RELIABILITY TEST**

No	Item	Conditions		Note
1.	High Temp. Operation	70°C	240 HR	--
2.	High Temp. Storage	80°C	240 HR	--
3.	Low Temp. Operation	-20°C	240 HR	--
4.	Low Temp. Storage	-30°C	240 HR	--
5.	High Temp. / Humid Storage	60°C 90% RH	240 HR	--
6.	Thermal Shock	-20°C, 30min +60°C, 30min	10 cycles	--
7.	Vibration Test ( IEC – 68 – 2 – 6 )	Frequency: 10~55 Hz Duration: 20 times, 6 min / time Amplitude: 0.75 mm	--	--
8.	Shock ( IEC 68 – 2 – 27)	Duration: 11 mS Acceleration: 100g	--	X, Y, Z direction

**13. APPEARANCE CHECK**

CONDIITON OF APPEARANCE CHECK:

- (a) Specimen shall be checked by eyes in distance of 30cm under 40w – fluorescence lamp.
- (b) Checking direction shall be in 45 degree from perpendicular line op specimen surface.



Messrs. Standard					
Product Specification	Model	NMTC-S16100XFYHSAY-16	Rev. No.	Issued Date.	Page.
			<i>A</i>	<i>Sept. 05, 17</i>	<i>24 / 28</i>

#### 14. HANDLING PRECAUTIONS

- (1) Treat polarizer very carefully since it is easy to be damaged.
- (2) When cleaning the display surface, use soft cloth (e.g. gauss) with a solvent (recommended below) and wipe lightly.
  - ◆ ethyl alcohol
  - ◆ iso – procolol

Do not wipe the display surface with dry or hard materials that will damage the polarizer surface.

Do not use the following solvents:

- ◆ water
- ◆ ketone
- ◆ aromatics

- (3) Direct current causes electro-chemical reaction with remarkable degradation of the display quality. Give careful consideration to prevent direct current at ON/OFF timing and during operation.
- (4) Avoid strong shock and drop from the height.
- (5) To prevent LCD panels from degradation, do not operate or store them exposed directly to sunshine or high temperature / humidity.
- (6) Give careful consideration to avoid electrical static discharge with causes uneven contrast.
- (7) Even a small condensation on the contact pads (terminals) causes electro-chemical reaction which makes missing row and column. Give careful attention to avoid condensation.  
When assembling with zebra connector, clean the surface of the pads with alcohol and keep the air very clean.





Messrs. Standard					
Product Specification	Model	NMTC-S16100XFYHSAY-16	Rev. No.	Issued Date.	Page.
			A	Sept. 05, 17	25 / 28

## 15. LCD PRODUCT QUALITY STANDARD

### DISPLAY APPEARANCE

No	Item	Criteria
1.	Inclusions (Black spot, white spot, dust)	<p>(1) Round type  Diameter mm (a*)      no of defect*  <math>a \leq 0.20</math>                      neglect  <math>0.20 &lt; a \leq 0.35</math>                5max  <math>0.35 &lt; a</math>                          none</p> <p>(2) Linear type  Length mm (l)      width mm (W)      no. of defect  na                              <math>W \leq 0.03</math>            neglect  <math>1 \leq 3</math>                              <math>0.03 &lt; W \leq 0.08</math>        6  <math>3 &lt; l</math>                                <math>0.08 &lt; W</math>                    none</p>
2.	Scratch	<p>1. Scratch on protective film is permitted.  2. Scratch on polarizer shall be as follow:  (1) Round type  Diameter mm (a*)      no of defect  <math>a \leq 0.15</math>                      neglect  <math>0.15 &lt; a \leq 0.20</math>                2 max  <math>0.20 &lt; a</math>                          none</p> <p>(2) Linear type  be judged by 1. – (2) linear type</p>
3.	Dent	Diameter < 1.5mm
4.	Bubble	Not exceeding 0.5mm average diameter is acceptable between glass and polarizing film
5.	Pin hole	$(a + b) / 2 \leq 0.15\text{mm}$ maximum number: ignored $0.15 < (a + b) / 2 \leq 0.20\text{mm}$ maximum number: 10



Messrs. Standard					
Product Specification	Model	NMTC-S16100XFYHSAY-16	Rev. No.	Issued Date.	Page.
			A	Sept. 05, 17	26 / 28

No	Item	Criteria										
6.	Dot defect	$(a + b) / 2 \leq 0.20\text{mm}$ maximum number: ignored $0.20 < (a + b) / 2 \leq 0.30\text{mm}$ maximum number: 5 x = width										
7.	Contrast irregularity (Spot)	<table> <tr> <td>Diameter spec</td> <td>no of defect</td> </tr> <tr> <td><math>a \leq 0.50\text{mm}</math></td> <td>neglect</td> </tr> <tr> <td><math>0.50 &lt; a \leq 0.75</math></td> <td>5</td> </tr> <tr> <td><math>0.75 &lt; a \leq 1.00</math></td> <td>3</td> </tr> <tr> <td><math>1.00 &lt; a</math></td> <td>none</td> </tr> </table>	Diameter spec	no of defect	$a \leq 0.50\text{mm}$	neglect	$0.50 < a \leq 0.75$	5	$0.75 < a \leq 1.00$	3	$1.00 < a$	none
Diameter spec	no of defect											
$a \leq 0.50\text{mm}$	neglect											
$0.50 < a \leq 0.75$	5											
$0.75 < a \leq 1.00$	3											
$1.00 < a$	none											
8.	Dot width	Design width $\pm$ 15%										
9.	Color tone and uniformity	Obvious uneven color is not permitted										



Messrs. Standard					
Product Specification	Model	NMTC-S16100XFYHSAY-16	Rev. No.	Issued Date.	Page.
			<i>A</i>	<i>Sept. 05, 17</i>	<i>27 / 28</i>

## 16. WARRANTY

This product has been manufactured to your company's specifications as a part for use in your company's general electronic products. It is guaranteed to perform according to delivery specifications. For any other use apart from general electronic equipment, we cannot take responsibility if the product is used in medical devices, nuclear power control equipment, aerospace equipment, fire and security systems, or any other applications in which there is a direct risk to human life and where extremely high levels of reliability are required. If the product is to be used in any of the above applications, we will need to enter into a separate product liability agreement.

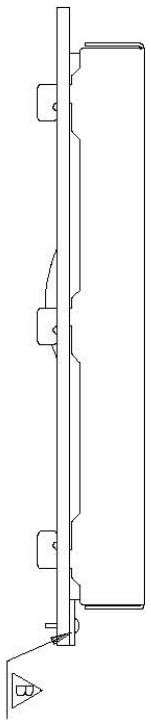
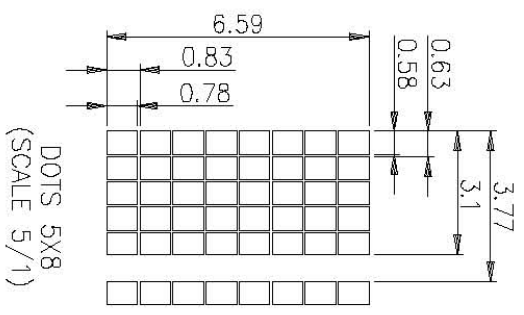
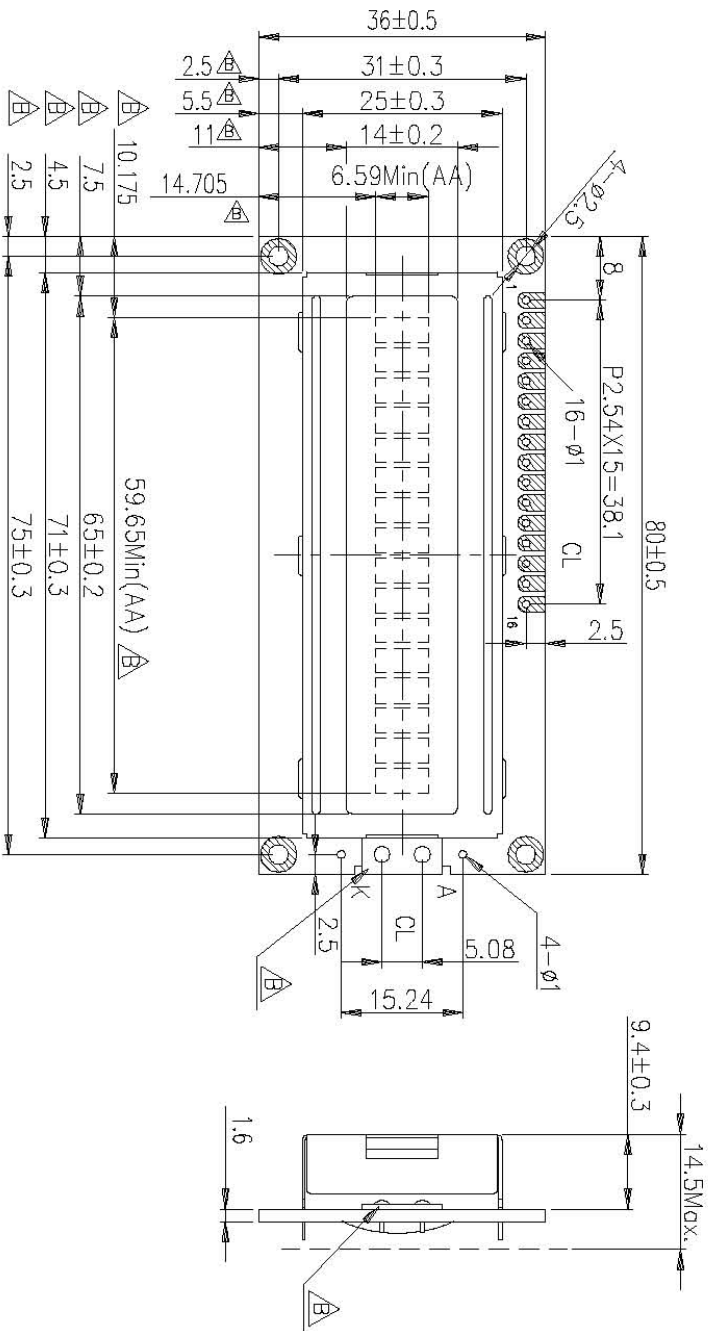
- 1 13 months guarantee starts from the date code.
- 2 We cannot accept responsibility for any defect, which may arise from additional manufacturing of the product (including disassembly and reassembly), after product delivery.
- 3 We cannot accept responsibility for any defect, which may arise after the application of strong external force to the product.
- 4 We cannot accept responsibility for any defect, which may arise due to the application of static electricity after the product has passed your company's acceptance inspection procedures.
- 5 We cannot accept responsibility for industrial property, which may arise through the use of your product, with exception to those issues relating directly to the structure or method of manufacturing of our product. Microtips-origin longer than one year from Microtips production.

## 17. DIMENSIONAL OUTLINES

- See the next page.....



REV.	DESCRIPTION	DRAWN	CHECK	APP'D	DATE
A	Production Release	Chris Lo			07/22/99
B	Show LED Position & Modify Dimension	Card	PatChang		05/19/04



PIN ASSIGNMENT(CN1)	
1. Vss	5. R/W
2. Vdd	6. E
3. Vee	7. DB0
4. RS	8. DB1
	9. DB2
	10. DB3
	11. DB4
	12. DB5
	13. DB6
	14. DB7
	15. LEDA
	16. LEDK

NO.	M-16100XH	Q'TY	05/19/04	MATERIAL	FINISH
PART NAME		DATE:			
DRAWN	Card	APP'D		SCALE: 1/1	FOR MODULE: MTC-16100X(H)
CHECK	MFRD PatChang 05/20/04	UNIT:MM		UNLESS OTHERWISE SPECIFIED TOLERANCE ON FRACTIONS DECIMALS ANGLES 0.10 0.5°	DWG NO.: C16100X1
					FILE: Dwg\Design\LCM\MTC\MTC-16100X.2D
					SHEET 1 / 1
					Rev: B

6 5 4 3 2 1



Компания «ЭлектроПласт» предлагает заключение долгосрочных отношений при поставках импортных электронных компонентов на взаимовыгодных условиях!

Наши преимущества:

- Оперативные поставки широкого спектра электронных компонентов отечественного и импортного производства напрямую от производителей и с крупнейших мировых складов;
- Поставка более 17-ти миллионов наименований электронных компонентов;
- Поставка сложных, дефицитных, либо снятых с производства позиций;
- Оперативные сроки поставки под заказ (от 5 рабочих дней);
- Экспресс доставка в любую точку России;
- Техническая поддержка проекта, помощь в подборе аналогов, поставка прототипов;
- Система менеджмента качества сертифицирована по Международному стандарту ISO 9001;
- Лицензия ФСБ на осуществление работ с использованием сведений, составляющих государственную тайну;
- Поставка специализированных компонентов (Xilinx, Altera, Analog Devices, Intersil, Interpoint, Microsemi, Aeroflex, Peregrine, Syfer, Eurofarad, Texas Instrument, Miteq, Cobham, E2V, MA-COM, Hittite, Mini-Circuits, General Dynamics и др.);

Помимо этого, одним из направлений компании «ЭлектроПласт» является направление «Источники питания». Мы предлагаем Вам помощь Конструкторского отдела:

- Подбор оптимального решения, техническое обоснование при выборе компонента;
- Подбор аналогов;
- Консультации по применению компонента;
- Поставка образцов и прототипов;
- Техническая поддержка проекта;
- Защита от снятия компонента с производства.



#### Как с нами связаться

**Телефон:** 8 (812) 309 58 32 (многоканальный)

**Факс:** 8 (812) 320-02-42

**Электронная почта:** [org@eplast1.ru](mailto:org@eplast1.ru)

**Адрес:** 198099, г. Санкт-Петербург, ул. Калинина, дом 2, корпус 4, литера А.