



FCIconnect.com

Copyright FCI.

1 2

List of "SFV\_\_R-1/2STBE1HLF" customer document

DOCUMENT NO.	LIST
SC-SFV08	SPEC.
JSA 97501	CAT.NO.TABLE FOR 0.5mm CONTACT SPACING CONNECTOR (SFV__R-1/2STB_HLF)
JSA 97502	CONNECTOR USED FOR FPC/FFC WITH 0.5mm CONTACT SPACING (SFV__R-1STB_HLF)
JSA 97503	CONNECTOR USED FOR FPC/FFC WITH 0.5mm CONTACT SPACING (SFV__R-2STB_HLF)
JSA 97504	CAT.NO.TABLE FOR PLASTIC TAPE PACKAGED 0.5mm CONTACT SPACING CONNECTOR (SFV__R-1/2STBE1HLF)
JSA 97505	PLASTIC TAPE PACKAGED 0.5mm CONTACT SPACING CONNECTOR (SFV__R-1STBE1HLF)
JSA 97506	PLASTIC TAPE PACKAGED 0.5mm CONTACT SPACING CONNECTOR (SFV__R-2STBE1HLF)
JSA96019	RECOMMENDED CABLE (FPC) (SFV__R-1/2ST__LF)
JSA97202	RECOMMENDED CABLE (FFC) (SFV__R-1/2ST__)
BUM-SFV101	HANDLING PROCEDURES

mat'l. code				surface ISO 1302 <input checked="" type="checkbox"/>		tolerance ISO 406 <input type="checkbox"/> ISO 1101 <input type="checkbox"/>		projection 		product family 58EF		CODE JP	
ltr A		ecn no J09-0075		dr S.W		date '09/2/19		tolerances unless otherwise specified		title 0.5mm SPACING FPC CONNECTOR DOCUMENT LIST (Cat. No. : SFV__R-1/2STBE1HLF)			
				angles		linear		mm 					
				dr <i>S. Watanabe</i>		2009-2-19				dwg no		sheet 1 of 1	
				enr <i>S. Watanabe</i>		2009-2-19				JSA 97500		A4	
				chr <i>M. YAMAUCHI</i>		2009-2-19				type		Product Customer Drawing	
sheet index		revision sheet		A		1						Rev A	

form: A4

1 2

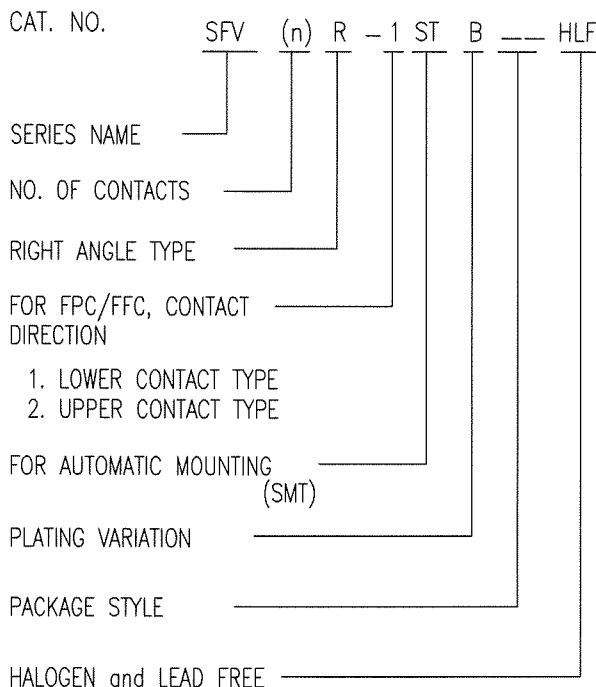
PDM: Rev:A

STATUS: Released

Printed: Feb 22, 2009

CAT. NO. & DIMENSIONS

NO. OF CONTACTS (n)	CAT. NO.	DIMENSIONS (NOTE2)			
		A ± 0.2	B ± 0.2	C ± 0.1	D ± 0.1
4	SFV4R-1/2STB__HLF	7.5	5.9	1.5	2.7
5	SFV5R-1/2STB__HLF	8.0	6.4	2.0	3.2
6	SFV6R-1/2STB__HLF	8.5	6.9	2.5	3.7
7	SFV7R-1/2STB__HLF	9.0	7.4	3.0	4.2
8	SFV8R-1/2STB__HLF	9.5	7.9	3.5	4.7
9	SFV9R-1/2STB__HLF	10.0	8.4	4.0	5.2
10	SFV10R-1/2STB__HLF	10.5	8.9	4.5	5.7
11	SFV11R-1/2STB__HLF	11.0	9.4	5.0	6.2
12	SFV12R-1/2STB__HLF	11.5	9.9	5.5	6.7
13	SFV13R-1/2STB__HLF	12.0	10.4	6.0	7.2
14	SFV14R-1/2STB__HLF	12.5	10.9	6.5	7.7
15	SFV15R-1/2STB__HLF	13.0	11.4	7.0	8.2
16	SFV16R-1/2STB__HLF	13.5	11.9	7.5	8.7
17	SFV17R-1/2STB__HLF	14.0	12.4	8.0	9.2
18	SFV18R-1/2STB__HLF	14.5	12.9	8.5	9.7
19	SFV19R-1/2STB__HLF	15.0	13.4	9.0	10.2
20	SFV20R-1/2STB__HLF	15.5	13.9	9.5	10.7
21	SFV21R-1/2STB__HLF	16.0	14.4	10.0	11.2
22	SFV22R-1/2STB__HLF	16.5	14.9	10.5	11.7
23	SFV23R-1/2STB__HLF	17.0	15.4	11.0	12.2
24	SFV24R-1/2STB__HLF	17.5	15.9	11.5	12.7
25	SFV25R-1/2STB__HLF	18.0	16.4	12.0	13.2
26	SFV26R-1/2STB__HLF	18.5	16.9	12.5	13.7
27	SFV27R-1/2STB__HLF	19.0	17.4	13.0	14.2
28	SFV28R-1/2STB__HLF	19.5	17.9	13.5	14.7
29	SFV29R-1/2STB__HLF	20.0	18.4	14.0	15.2
30	SFV30R-1/2STB__HLF	20.5	18.9	14.5	15.7
31	SFV31R-1/2STB__HLF	21.0	19.4	15.0	16.2
32	SFV32R-1/2STB__HLF	21.5	19.9	15.5	16.7
33	SFV33R-1/2STB__HLF	22.0	20.4	16.0	17.2
34	SFV34R-1/2STB__HLF	22.5	20.9	16.5	17.7
35	SFV35R-1/2STB__HLF	23.0	21.4	17.0	18.2



NOTES

1. THIS PRODUCT IS THE CONNECTOR USED FOR FPC AND COPEs WITH AUTOMATIC MOUNTING (SMT).
2. SEE PART DRAWINGS FOR DIMENSIONS A~D.



FCIconnect.com

Copyright FCI.

mat'l. code		surface ISO 1302 <input checked="" type="checkbox"/>		tolerance ISO 406 <input checked="" type="checkbox"/>		projection		product family 58EF		CODE JP	
ltr	ecn no	dr	date	tolerances unless otherwise specified		mm		title			
A	J09-0075	S.W	'09/2/19	angles	linear	mm		CAT. NO. TABLE FOR 0.5 mm CONTACT SPACING CONNECTOR (Cat. No. : SFV__R-1/2STB__HLF)			
						scale X		dwg no sheet 1 of 1 size			
				dr	<i>S. Nithin</i>	<i>2009-2-19</i>			JSA 97501 A4		
				enr	<i>S. Nithin</i>	<i>2009-2-19</i>			type Product Customer Drawing		
				chr	<i>H. VAMPISRETA</i>	<i>2009-2-19</i>					
				appd	<i>S. Madam</i>	<i>2009-2-19</i>					
sheet index	revision sheet	A	1								Rev. A



FCIconnect.com

Copyright FCI.



PT. NO.	PARTS NAME	MATERIAL	Q'TY	NOTE
1	HOUSING	13~35pin : LCP RESIN GLASS REINFORCED (UL94V-0)	1	COLOR : BLACK (HALOGEN FREE)
		4~12pin : POLYAMIDE RESIN GLASS REINFORCED (UL94V-0)		
2	SLIDER	PPS RESIN GLASS REINFORCED (UL94V-0)	1	COLOR : BLACK (HALOGEN FREE)
3	CONTACT	PHOSPHOR BRONZE	n	PLATING : GOLD
4	MOUNTING PLATE		2	PLATING : LEAD FREE

RECOMMENDED PC BOARD LAYOUT (COMPONENT SIDE)

PATTERN FOR MOUNTING PLATE FIXING

n : NO. OF CONTACTS



NOTES

1. THIS PRODUCT IS THE CONNECTOR USED FOR FPC AND COPE WITH AUTOMATIC MOUNTING (SMT).
2. THIS PRODUCT IS LOWER CONTACT TYPE CONNECTOR.
3. FLATNESS OF CONTACT TERMINAL AND MOUNTING PLATE MUST BE WITHIN TOLERANCE IN E PORTION DETAILED DRAWING.
4. THIS PRODUCT MEETS EUROPEAN UNION DIRECTIVES AND OTHER COUNTRY REGULATIONS AS DESCRIBED IN GS-22-008.
5. THE HOUSING WILL WITHSTAND EXPOSURE TO 260°C PEAK TEMPERATURE FOR 10 SECONDS IN A REFLOW SOLDERING OVEN.

mat'l. code		surface ISO 1302 ✓		tolerance ISO 406 ISO 1101		projection		product family 58EF		CODE JP	
ltr	ecn no	dr	date	tolerances unless otherwise specified		mm		title			
A	J09-0075	S.W	2009-2-19	±0.2		mm		CONNECTOR USED FOR FPC WITH 0.5 mm CONTACT SPACING (Cat No. : SFV__R-1STB__HLF)			
B	J10-0245	S.W	2010-9-14	angles	linear	scale X		dwg no		sheet 1 of 1 size	
				dr	engr	FCI		JSA 97502		A4	
				chr	appd			type		Product Customer Drawing	
sheet index	revision sheet	B	1							Rev. B	

form: A4



PT. NO.	PARTS NAME	MATERIAL	Q'TY	NOTE
1	HOUSING	13~35pin : LCP RESIN GLASS REINFORCED (UL94V-0)	1	COLOR : BLACK (HALOGEN FREE)
		4~12pin : POLYAMIDE RESIN GLASS REINFORCED (UL94V-0)		
2	SLIDER	PPS RESIN GLASS REINFORCED (UL94V-0)	1	COLOR : BLACK (HALOGEN FREE)
3	CONTACT	PHOSPHOR BRONZE	n	PLATING : GOLD
4	MOUNTING PLATE		2	PLATING : LEAD FREE

RECOMMENDED PC BOARD LAYOUT  
(COMPONENT SIDE)

PATTERN FOR MOUNTING PLATE FIXING

n : NO. OF CONTACTS



- NOTES
- THIS PRODUCT IS THE CONNECTOR USED FOR FPC AND COPER WITH AUTOMATIC MOUNTING (SMT).
  - THIS PRODUCT IS UPPER CONTACT TYPE CONNECTOR.
  - FLATNESS OF CONTACT TERMINAL AND MOUNTING PLATE MUST BE WITHIN TOLERANCE IN E PORTION DETAILED DRAWING.
  - THIS PRODUCT MEETS EUROPEAN UNION DIRECTIVES AND OTHER COUNTRY REGULATIONS AS DESCRIBED IN GS-22-008.
  - THE HOUSING WILL WITHSTAND EXPOSURE TO 260°C PEAK TEMPERATURE FOR 10 SECONDS IN A REFLOW SOLDERING OVEN.

mat'l. code		surface ISO 1302 ✓		tolerance ISO 406 ISO 1101		projection 		product family 58EF		CODE JP	
ltr	ecn no	dr	date	tolerances unless otherwise specified		mm 		title CONNECTOR USED FOR FPC WITH 0.5 mm CONTACT SPACING (Cat. No. : SFV__R-2STB__HLF)			
A	J09-0075	S.W	2009-2-19	angles	linear	scale X		dwg no JSA 97503		sheet 1 of 1 size A4	
B	J10-0245	S.W	2010-9-14			FCJ		type Product Customer Drawing			
sheet index		revision sheet		dr S. Nishida 2010-9-14		engr S. Nishida 2010-9-14		chr M. Yamashita 2010-9-14		app M. Yamashita 2010-9-14	
B		1								Rev. B	

CAT. NO. & DIMENSIONS

NO. OF CONTACTS (n)	CAT. NO.	DIMENSIONS (NOTE3)		
		F ± 5	G ± 0.3	H ± 0.1
4	SFV4R-1/2STBE1HLF	20.4	16	—
5	SFV5R-1/2STBE1HLF	20.4	16	—
6	SFV6R-1/2STBE1HLF	20.4	16	—
7	SFV7R-1/2STBE1HLF	28.4	24	—
8	SFV8R-1/2STBE1HLF	28.4	24	—
9	SFV9R-1/2STBE1HLF	28.4	24	—
10	SFV10R-1/2STBE1HLF	28.4	24	—
11	SFV11R-1/2STBE1HLF	28.4	24	—
12	SFV12R-1/2STBE1HLF	28.4	24	—
13	SFV13R-1/2STBE1HLF	28.4	24	—
14	SFV14R-1/2STBE1HLF	28.4	24	—
15	SFV15R-1/2STBE1HLF	28.4	24	—
16	SFV16R-1/2STBE1HLF	28.4	24	—
17	SFV17R-1/2STBE1HLF	28.4	24	—
18	SFV18R-1/2STBE1HLF	28.4	24	—
19	SFV19R-1/2STBE1HLF	28.4	24	—
20	SFV20R-1/2STBE1HLF	28.4	24	—
21	SFV21R-1/2STBE1HLF	28.4	24	—
22	SFV22R-1/2STBE1HLF	28.4	24	—
23	SFV23R-1/2STBE1HLF	36.4	32	28.4
24	SFV24R-1/2STBE1HLF	36.4	32	28.4
25	SFV25R-1/2STBE1HLF	36.4	32	28.4
26	SFV26R-1/2STBE1HLF	36.4	32	28.4
27	SFV27R-1/2STBE1HLF	36.4	32	28.4
28	SFV28R-1/2STBE1HLF	36.4	32	28.4
29	SFV29R-1/2STBE1HLF	36.4	32	28.4
30	SFV30R-1/2STBE1HLF	36.4	32	28.4
31	SFV31R-1/2STBE1HLF	48.4	44	40.4
32	SFV32R-1/2STBE1HLF	48.4	44	40.4
33	SFV33R-1/2STBE1HLF	48.4	44	40.4
34	SFV34R-1/2STBE1HLF	48.4	44	40.4
35	SFV35R-1/2STBE1HLF	48.4	44	40.4



NOTES

1. THIS PRODUCT IS THE CONNECTOR USED FOR FPC AND COPEs WITH AUTOMATIC MOUNTING (SMT).
2. THIS CATALOG NO. INDICATES PLASTIC TAPE PACKAGED CONNECTOR.
3. SEE PART DRAWINGS FOR DIMENSIONS F~H.



FCIconnect.com

Copyright FCI.

mat'l. code		surface ISO 1302 ✓		tolerance ISO 406 ISO 1101		projection		product family 58EF		CODE JP	
ltr		ecn no		dr		date		tolerances, unless otherwise specified		title	
A		J09-0075		S.W		'09/2/19		mm		CAT. NO. TABLE FOR PLASTIC TAPE PACKAGED 0.5 mm CONTACT SPACING CONNECTOR (Cat. No. : SFV__R-1/2STBE1HLF)	
								scale X		dwg no	
								FCI		sheet 1 of 1	
				dr		S. Nishida 2009-2-19				size	
				enr		S. Nishida 2009-2-19				A4	
				chr		H. YAMASHITA 2009-2-19				JSA 97504	
				appd		S. Chokran 2009-2-19				type Product Customer Drawing	
sheet index		revision sheet		A		1				Rev. A	





PT. NO.	PARTS NAME	CAT. NO.	MATERIAL	Q'TY	NOTE
1	REEL	_____	CARDBOARD	1	COLOR : WHITE
2	PLASTIC (EMBOSS) TAPE	_____	A-PET	_____	COLOR : TRANSPARENCY
3	COVER	_____	POLYESTER	_____	COLOR : TRANSPARENCY
4	CONNECTOR	SFV__R-1STB__HLF	SEE ATTACHED DWG.	3000	LOWER CONTACT TYPE

- NOTES
1. THIS IS PLASTIC TAPE PACKAGED CONNECTOR USED FOR FPC AND COPES WITH AUTOMATIC MOUNTING (SMT).
  2. SEE JIS C 0806 (PACKING OF ELECTRONIC COMPONENTS ON CONTINUOUS TAPES (SURFACE MOUNTING DEVICES)) FOR SHAPE AND DIMENSIONS OF PLASTIC (EMBOSS) TAPE AND REEL.
  3. F DIMENSION IS PORTION OF THE CORE.

mat'l. code		surface 58 / tolerance ISO 1302 / ISO 406 / ISO 1101		projection	product family 58EF	CODE JP
ltr	ecn no	dr	date	tolerances unless otherwise specified	title PLASTIC TAPE PACKAGED 0.5 mm CONTACT SPACING CONNECTOR (Cat. No. : SFV__R-1STBE1HLF)	dwg no sheet 1 of 1 size JSA 97505 A4
A	J09-0075	S.W	'09/2/19			
angles		linear		mm	scale X	
±5'		±5'		FCJ		
dr		S. Nishida 2009-2-19		type Product Customer Drawing		
enr		S. Nishida 2009-2-19				
chr		M. YAMAHATA 2009-2-19				
appd		S. Okada 2009-2-19				
sheet index	revision sheet	A	1	Rev. A		



FCIconnect.com

Copyright FCI.



PT. NO.	PARTS NAME	CAT. NO.	MATERIAL	Q'TY	NOTE
1	REEL	_____	CARDBOARD	1	COLOR : WHITE
2	PLASTIC (EMBOSS) TAPE	_____	A-PET	_____	COLOR : TRANSPARENCY
3	COVER	_____	POLYESTER	_____	COLOR : TRANSPARENCY
4	CONNECTOR	SFV__R-2STB__HLF	SEE ATTACHED DWG.	3000	UPPER CONTACT TYPE

NOTES

1. THIS IS PLASTIC TAPE PACKAGED CONNECTOR USED FOR FPC AND COPEs WITH AUTOMATIC MOUNTING (SMT).
2. SEE JIS C 0806 (PACKING OF ELECTRONIC COMPONENTS ON CONTINUOUS TAPES (SURFACE MOUNTING DEVICES)) FOR SHAPE AND DIMENSIONS OF PLASTIC (EMBOSS) TAPE AND REEL.
3. F DIMENSION IS PORTION OF THE CORE.

mat'l. code		surface ISO 1302 <input checked="" type="checkbox"/>		tolerance ISO 406 <input checked="" type="checkbox"/>		projection		product family 58EF		CODE JP	
ltr	ecn no	dr	date	tolerances, unless otherwise specified		mm		title PLASTIC TAPE PACKAGED 0.5 mm CONTACT SPACING CONNECTOR (Cat. No. : SFV__R-2STBE1HLF)			
A	J09-0075	S.W	'09/2/19	angles	linear	±5		scale X		dwg no sheet 1 of 1 size	
				±5'				JSA 97506		A4	
sheet index		revision sheet		dr <i>S. Yamashita</i> 2009-2-19		engr <i>S. Yamashita</i> 2009-2-19		type Product Customer Drawing		Rev. A	
1		A 1		chr <i>M. Yamashita</i> 2009-2-19		appd <i>S. Yamashita</i> 2009-2-19					

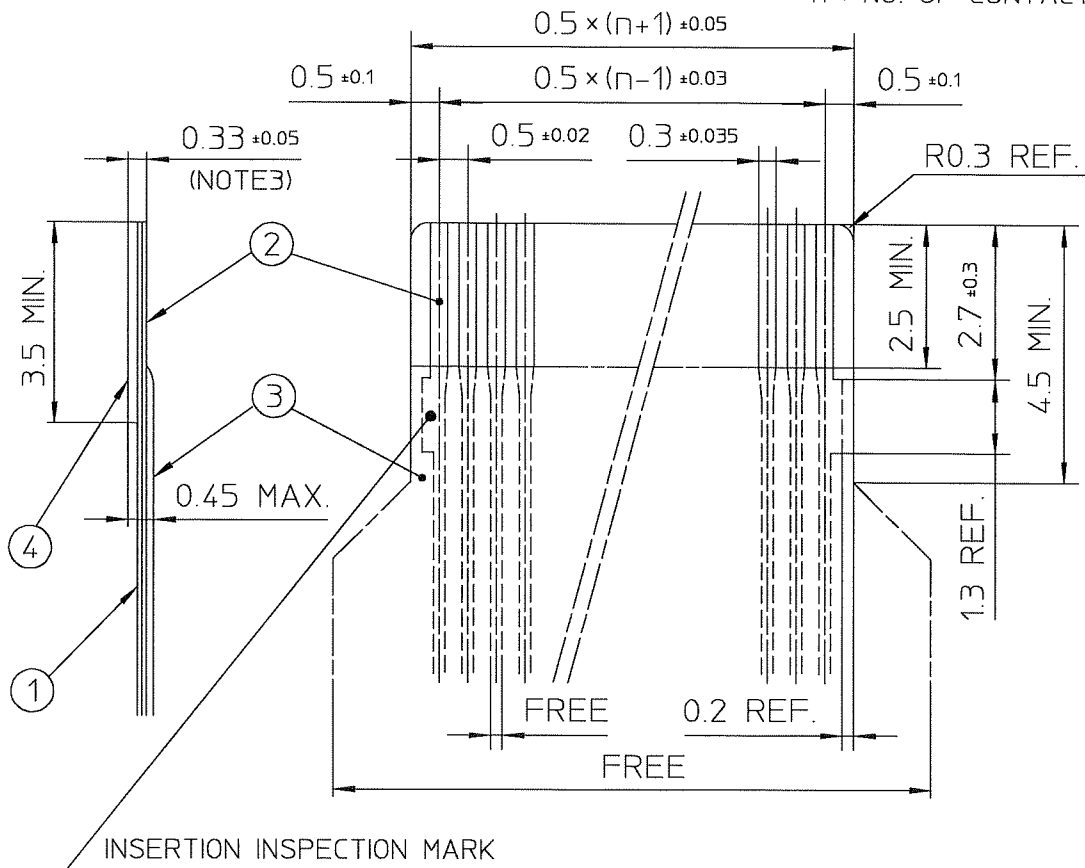


Copyright FCI.

FCIconnect.com

RECOMMENDED CABLE (FPC)

n : NO. OF CONTACTS



PT. NO.	PARTS NAME	MATERIAL	THICKNESS(μm)
1	BASE FILM	POLYIMIDE OR POLYESTER OR EQUAL	25
2	CONDUCTOR	COPPER FOIL(PLATING : GOLD )	35
3	OVERLAY	POLYIMIDE OR POLYESTER OR EQUAL	—
4	SUPPORTING TAPE	POLYESTER OR POLYIMIDE OR EQUAL	188

NOTES

1. NO BURR AT EACH PORTION.
2. NO PEELING IN COMMON USE.
3. TOTAL THICKNESS LIMIT OF EACH MATERIAL (INCLUDING ADHESIVE AGENT) IS SPECIFIED.

mat'l. code				surface ISO 1302 ✓	tolerance ISO 406 ISO 1101	projection	product family 58EF	
ltr	ecn no	dr	date	tolerances unless otherwise specified		  scale X	title RECOMMENDED CABLE (Cat. No. : SFV__R-1/2ST__LF)	
A	J04-0186	H.T	'04/8/19	angles linear				dwg no sheet 1 of 1 size JSA 96019 A4
B	J04-0454	H.T	'05/2/17					
C	J06-0372	H.T	'06/9/17					
sheet index		revision sheet	C 1					Rev. C

SC-SFV06 JSA96013 form: A4



RECOMMENDED CABLE (FFC)

n : NO. OF CONTACTS



KIND OF FFC (NOTE3)	DIMENSIONAL TOLERANCE			
	a	b	c	d
1	±0.07	±0.04	±0.05	±0.02
2	±0.1	±0.03	±0.03	±0.025

PT. NO.	PARTS NAME	MATERIAL
1	INSULATOR	FLAME RESISTING POLYESTER OR EQUAL
2	CONDUCTOR	COPPER FOIL (PLATING : GOLD)
3	SUPPORTING TAPE	FLAME RESISTING POLYESTER OR EQUAL

NOTES

- NO BURR AT EACH PORTION.
- NO PEELING IN COMMON USE.
- EITHER KIND1 OR KIND2 OF FFC CAN ACCEPT DIMENSIONAL TOLERANCE a,b,c AND d.

mat'l. code				surface ISO 1302 ✓	tolerance ISO 406 ISO 1101	projection	product family 58EF			
ltr	ecn no	dr	date	tolerances unless otherwise specified		scale $\times$	title			
A	J06-0499	H.T	11/27/06	angles	linear		RECOMMENDED CABLE (Cat. No. : SFV__R-1/2ST__)			
				dr	<i>[Signature]</i> 11/27/06		dwg no		sheet 1 of 1	size
				enr	<i>[Signature]</i> 11/27/06		JSA 97202			A4
				chr	<i>[Signature]</i> 11/27/06		type Product Customer Drawing			
				appd	<i>[Signature]</i> 11/28/06					
sheet index	revision sheet	A	1							Rev. A



FCJconnect.com

Copyright FCJ



Компания «ЭлектроПласт» предлагает заключение долгосрочных отношений при поставках импортных электронных компонентов на взаимовыгодных условиях!

Наши преимущества:

- Оперативные поставки широкого спектра электронных компонентов отечественного и импортного производства напрямую от производителей и с крупнейших мировых складов;
- Поставка более 17-ти миллионов наименований электронных компонентов;
- Поставка сложных, дефицитных, либо снятых с производства позиций;
- Оперативные сроки поставки под заказ (от 5 рабочих дней);
- Экспресс доставка в любую точку России;
- Техническая поддержка проекта, помощь в подборе аналогов, поставка прототипов;
- Система менеджмента качества сертифицирована по Международному стандарту ISO 9001;
- Лицензия ФСБ на осуществление работ с использованием сведений, составляющих государственную тайну;
- Поставка специализированных компонентов (Xilinx, Altera, Analog Devices, Intersil, Interpoint, Microsemi, Aeroflex, Peregrine, Syfer, Eurofarad, Texas Instrument, Miteq, Cobham, E2V, MA-COM, Hittite, Mini-Circuits, General Dynamics и др.);

Помимо этого, одним из направлений компании «ЭлектроПласт» является направление «Источники питания». Мы предлагаем Вам помощь Конструкторского отдела:

- Подбор оптимального решения, техническое обоснование при выборе компонента;
- Подбор аналогов;
- Консультации по применению компонента;
- Поставка образцов и прототипов;
- Техническая поддержка проекта;
- Защита от снятия компонента с производства.



#### Как с нами связаться

**Телефон:** 8 (812) 309 58 32 (многоканальный)

**Факс:** 8 (812) 320-02-42

**Электронная почта:** [org@eplast1.ru](mailto:org@eplast1.ru)

**Адрес:** 198099, г. Санкт-Петербург, ул. Калинина, дом 2, корпус 4, литера А.