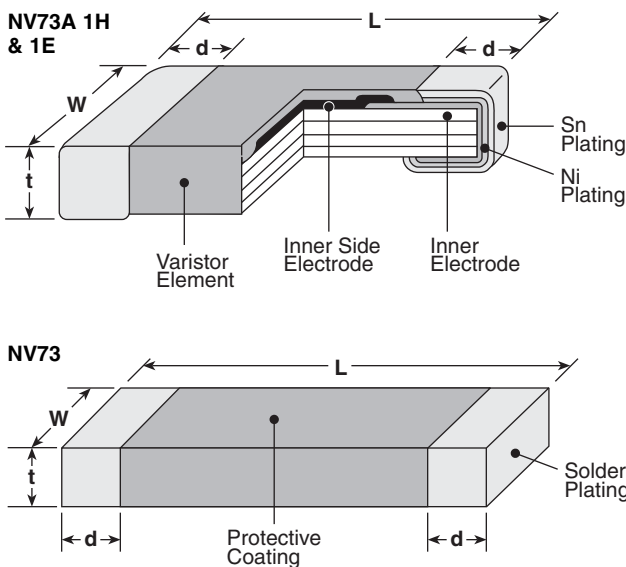




features

- Multilayer structure
- High surge current
- Protector against static electricity, switching and incoming surges
- Marking: Black body color with no marking
- Suitable for both flow and reflow soldering
- Products with lead-free terminations meet EU RoHS requirements. Pb located in glass material, electrode and varistor element is exempt per Annex 1, exemption 5 of EU directive 2005/95/EC

dimensions and construction



| Type (Inch Size Code) | Dimensions inches (mm) | | | |
|--------------------------|-------------------------|-------------------------|--------------------------|---|
| | L | W | t | d |
| 1H (0201) | .024±.001 (0.6±0.03) | .012±.001 (0.3±0.03) | .012±.001 (0.3±0.03) | .004 min. (0.1 min.) |
| 1E (0402) | .023±.004 (1.0±0.1) | .02±.004 (0.5±0.1) | .023 max. (0.6 max.) | .01±.006 (0.25±0.15) |
| 1J (0603) | .063±.006 (1.6±0.15) | .031±.006 (0.8±0.15) | .031±.006 (0.8±0.15) | .016 ^{+0.006} _{-0.008} (0.4 ^{+0.15} _{-0.2}) |
| 2A (0805) | .079±.008 (2.0±0.2) | .049±.008 (1.25±0.2) | .051 max. (1.3 max.) | .02±.010 (0.5±0.25) |
| 2B (1206) | .126±.008 (3.2±0.2) | .063±.008 (1.6±0.2) | .065 max. (1.65 max.) | .02 ^{+0.014} _{-0.010} (0.5 ^{+0.35} _{-0.25}) |
| 2E (1210) | .126±.008 (3.2±0.2) | .098±.008 (2.5±0.2) | .059 max. (1.5 max.) | .020±.008 (0.5±0.2) |
| 2J (1812) | .177±.008 (4.5±0.2) | .126±.008 (3.2±0.2) | .079 max. (2.0 max.) | .020 ^{+0.001} _{-0.004} (0.5 ^{+0.3} _{-0.1}) |
| 2L (2220) | .224±.008 (5.7±0.2) | .197±.008 (5.0±0.2) | .098 max. (2.5 max.) | .020 ^{+0.001} _{-0.004} (0.5 ^{+0.3} _{-0.1}) |

ordering information

| | | | | | | |
|-------------|--------------------|------------------------------|--|-----------------------------|---|---|
| NV73 | A | L | 1J | T | TE | 8R2 |
| Type | Energy Code | Capacitance Type | Size | Termination Material | Packaging | Varistor Voltage |
| | A B C | L: Low Capacitance (1E only) | 1H: 0201 1E: 0402 1J: 0603 2A: 0805 2B: 1206 2E: 1210 2J: 1812 2L: 2220 | T: Sn | TBM: 2mm press paper (1H: 15,000 pieces/reel) TP: 2mm pitch paper (1E: 10,000 pieces/reel) TE: 7" embossed plastic (1J, 2A, 2B: 2,500 pieces/reel; 2J, 2L: 1,000 pieces/reel 2E: 2,000 pieces/reel) | 8.2V 8R2 18V 18 "R" indicates decimal on value <10Ω |

For further information on packaging, please refer to Appendix A.

circuit protection

applications and ratings

| Part Designation | Reference Varistor Voltage @ 1mA nom. (Range) V _c | Clamping Voltage V _P | I _P | Maximum Peak Current I _P (A) @ 8/20 microsecond (2 pulses) | Maximum Energy E (J) | Maximum Allowable Voltage a.c rms (V) | Maximum Allowable Voltage d.c (V) | Operating Temp. T _{opt} (°C) | Storage Temp. T _{stg} (°C) | |
|------------------|--|---------------------------------|----------------|---|----------------------|---------------------------------------|-----------------------------------|---------------------------------------|-------------------------------------|------|
| NV73A1HTTB12 | 12 (10 - 15.6) | 35 | — | 1 | 0.01 | — | 6.5 | -40°C to +85°C | -40°C to +125°C | |
| NV73A1ETTP8 | 8 (6.4 - 9.6) | 20 | | 20 | 0.05 | 4.2 | 5.5 | | | |
| NV73A1ETTP18 | 18 (16.2 - 19.8) | 35 | | 5 | 0.03 | 6.1 | 14.0 | | | |
| NV73AL1ETTP12 | 12 (10 - 14) | 30 | | | | 7.6 | 5.5 | | | |
| NV73AL1ETTP21 | 21 (18 - 24) | 50 | | 2 | 0.005 | 9.1 | 14.0 | | | |
| NV73AL1ETTP28 | 28 (24 - 32) | 65 | | | | 10.6 | 18.0 | | | |
| NV73AL1ETTP120 | 120 (90 - 150) | 350(1C-05A) | | 0.5 | 12.0 | | | | | |
| NV73A1JTTE8R2 | 8.2 (6.8 - 9.8) | 21 | 2A | 30 | 0.1 | 4.2 | 6.0 | | | |
| NV73A1JTTE12 | 12 (10 - 14.4) | 29 | | | | 6.1 | 8.6 | | | |
| NV73A1JTTE15 | 15 (12.5 - 18) | 35 | | | | 7.6 | 10.8 | | | |
| NV73A1JTTE18 | 18 (16 - 20) | 37 | | | | 9.1 | 12.8 | | | |
| NV73A1JTTE20 | 20 (18 - 22) | 40 | | | | 10.6 | 15.0 | | | |
| NV73A1JTTE22 | 22 (19 - 24) | 42 | | | | 12.0 | 16.5 | | | |
| NV73A1JTTE24 | 24 (21.8 - 26.5) | 46 | | | | 14.0 | 18.0 | | | |
| NV73A1JTTE27 | 27 (25 - 32) | 49 | | | | 17.0 | 22.0 | | | |
| NV73A2ATTE8R2 | 8.2 (6.8 - 9.8) | 16 | 1A | 10 | 0.01 | 4.2 | 6.0 | | | |
| NV73A2ATTE12 | 12 (10 - 14.4) | 22 | | | 0.03 | 6.1 | 8.6 | | | |
| NV73A2ATTE15 | 15 (12.5 - 18) | 27 | | | 0.04 | 7.6 | 10.8 | | | |
| NV73A2ATTE18 | 18 (16 - 20) | 29 | | | | 9.1 | 12.8 | | | |
| NV73A2ATTE20 | 20 (18 - 22) | 33 | | | 0.05 | 10.6 | 15.0 | | | |
| NV73A2ATTE22 | 22 (19 - 24) | 39 | | | | 12.0 | 16.5 | | | |
| NV73A2ATTE24 | 24 (21.8 - 26.5) | 42 | | 0.06 | 14.0 | 18.0 | | | | |
| NV73A2ATTE27 | 27 (25 - 32) | 50 | | 0.07 | 17.0 | 22.0 | | | | |
| NV73A2ATTE33 | 33 (30 - 39) | 60 | | 0.12 | 20.0 | 26.0 | | | | |
| NV73A2ATTE39 | 39 (37 - 47) | 72 | | | 25 | 0.14 | 25.0 | | | 31.0 |
| NV73A2ATTE47 | 47 (45 - 54) | 86 | | 0.16 | | 30.0 | 38.0 | | | |
| NV73B2ATTE8R2 | 8.2 (6.8 - 9.8) | 18 | | 2A | 20 | 0.03 | 4.2 | | | 6.0 |
| NV73B2ATTE12 | 12 (10 - 14.4) | 22 | | | | 0.05 | 6.1 | | | 8.6 |
| NV73B2ATTE15 | 15 (12.5 - 18) | 30 | 35 | | 0.07 | 7.6 | 10.8 | | | |
| NV73B2ATTE18 | 18 (16 - 20) | 32 | | | 0.08 | 9.1 | 12.8 | | | |
| NV73B2ATTE20 | 20 (18 - 22) | 36 | | | 0.09 | 10.6 | 15.0 | | | |
| NV73B2ATTE22 | 22 (19 - 24) | 40 | | | 0.11 | 12.0 | 16.5 | | | |
| NV73B2ATTE24 | 24 (21.8 - 26.5) | 42 | | | 0.12 | 14.0 | 18.0 | | | |
| NV73B2ATTE27 | 27 (25 - 32) | 58 | | | 0.24 | 17.0 | 22.0 | | | |
| NV73B2ATTE33 | 33 (30 - 39) | 66 | 50 | | 0.25 | 20.0 | 26.0 | | | |
| NV73C2ATTE8R2 | 8.2 (6.8 - 9.8) | 16 | | | 25 | 0.04 | 4.2 | 6.0 | | |
| NV73C2ATTE12 | 12 (10 - 14.4) | 22 | 2A | 50 | 0.09 | 6.1 | 8.6 | | | |
| NV73C2ATTE15 | 15 (12.5 - 18) | 28 | | | 0.11 | 7.6 | 10.8 | | | |
| NV73C2ATTE18 | 18 (16 - 20) | 32 | | | 0.13 | 9.1 | 12.8 | | | |
| NV73C2ATTE20 | 20 (18 - 22) | 35 | | | 0.14 | 10.6 | 15.0 | | | |
| NV73C2ATTE22 | 22 (19 - 24) | 40 | | | 0.17 | 12.0 | 16.5 | | | |
| NV73C2ATTE24 | 24 (21.8 - 26.5) | 42 | | | 0.18 | 14.0 | 18.0 | | | |
| NV73A2BTTE27 | 27 (25 - 32) | 55 | | | 2A | 40 | 0.13 | 17.0 | 22.0 | |
| NV73A2BTTE33 | 33 (30 - 39) | 60 | 0.15 | 20.0 | | | 26.0 | | | |
| NV73A2BTTE39 | 39 (37 - 47) | 72 | 0.18 | 25.0 | | | 31.0 | | | |
| NV73A2BTTE47 | 47 (45 - 54) | 85 | 0.22 | 30.0 | | | 38.0 | | | |
| NV73A2BTTE56 | 56 (52 - 62) | 100 | 0.26 | 35.0 | | | 45.0 | | | |

circuit protection

applications and ratings (continued)

| Part Designation | Reference Varistor Voltage @ 1mA nom. (Range) V _c | Clamping Voltage V _P | I _P | Maximum Peak Current I _P (A) @ 8/20 microsecond (2 pulses) | Maximum Energy E (J) | Maximum Allowable Voltage a.c rms (V) | Maximum Allowable Voltage d.c (V) | Operating Temp. T _{opt} (°C) | Storage Temp. T _{stg} (°C) | | | | |
|------------------|--|---------------------------------|----------------|---|----------------------|---------------------------------------|-----------------------------------|---------------------------------------|-------------------------------------|-----------------|-----------------|-----------------|-----------------|
| NV73B2BTTE8R2 | 8.2 (6.8 - 9.8) | 16 | 2A | 30 | 0.03 | 4.2 | 6.0 | -40°C to +85°C | -40°C to +125°C | | | | |
| NV73B2BTTE12 | 12 (10 - 14.4) | 22 | | | 0.07 | 6.1 | 8.6 | | | | | | |
| NV73B2BTTE15 | 15 (12.5 - 18) | 28 | | | 0.09 | 7.6 | 10.8 | | | | | | |
| NV73B2BTTE18 | 18 (16 - 20) | 32 | | | 0.1 | 9.1 | 12.8 | | | | | | |
| NV73B2BTTE20 | 20 (18 - 22) | 35 | | | 0.11 | 10.6 | 15.0 | | | | | | |
| NV73B2BTTE22 | 22 (19 - 24) | 40 | | | 0.12 | 12.0 | 16.5 | | | | | | |
| NV73B2BTTE24 | 24 (21.8 - 26.5) | 42 | | | 0.14 | 14.0 | 18.0 | | | | | | |
| NV73B2BTTE27 | 27 (25 - 32) | 52 | | | 0.16 | 17.0 | 22.0 | | | | | | |
| NV73C2BTTE8R2 | 8.2 (6.8 - 9.8) | 15 | 2A | 40 | 0.06 | 4.2 | 6.0 | -40°C to +85°C | -40°C to +125°C | | | | |
| NV73C2BTTE12 | 12 (10 - 14.4) | 21 | | | 0.1 | 6.1 | 8.6 | | | | | | |
| NV73C2BTTE15 | 15 (12.5 - 18) | 27 | | | 0.13 | 7.6 | 10.8 | | | | | | |
| NV73C2BTTE18 | 18 (16 - 20) | 29 | | | 0.15 | 9.1 | 12.8 | | | | | | |
| NV73C2BTTE20 | 20 (18 - 22) | 31 | | | 0.17 | 10.6 | 15.0 | | | | | | |
| NV73C2BTTE22 | 22 (19 - 24) | 35 | | | 0.19 | 12.0 | 16.5 | | | | | | |
| NV73C2BTTE24 | 24 (21.8 - 26.5) | 38 | | | 0.2 | 14.0 | 18.0 | | | | | | |
| NV73C2BTTE27 | 27 (25 - 32) | 48 | | | 0.24 | 17.0 | 22.0 | | | | | | |
| NV73A2ETTE15 | 15 (12.8 - 17.3) | 30 | — | 400 | 1.0 | 8.0 | 11.0 | -50°C to +125°C | -50°C to +150°C | | | | |
| NV73A2ETTE18 | 18 (15.3 - 20.7) | 34 | | | 1.2 | 11.0 | 14.0 | | | | | | |
| NV73A2ETTE22 | 22 (19.8 - 24.2) | 39 | | | 1.4 | 12.0 | 16.5 | | | | | | |
| NV73A2ETTE24 | 24 (21.6 - 26.4) | 39 | | | 1.4 | 14.0 | 18.0 | | | | | | |
| NV73A2ETTE27 | 27 (24.3 - 29.7) | 44 | | | 1.7 | 17.0 | 22.0 | | | | | | |
| NV73A2ETTE33 | 33 (29.7 - 36.3) | 54 | | | 1.9 | 20.0 | 26.0 | | | | | | |
| NV73A2ETTE39 | 39 (35.1 - 42.9) | 65 | | | 1.7 | 25.0 | 30.0 | | | | | | |
| NV73A2ETTE47 | 47 (42.3 - 51.7) | 77 | | | 2.0 | 30.0 | 38.0 | | | | | | |
| NV73A2ETTE56 | 56 (50.4 - 61.6) | 90 | | | 2.0 | 35.0 | 45.0 | | | | | | |
| NV73A2ETTE82 | 82 (73.8 - 90.2) | 135 | | | 2.0 | 50.0 | 65.0 | | | | | | |
| NV73A2ETTE100 | 100 (90.0 - 110.0) | 165 | | | 200 | 1.2 | 50.0 | | | 65.0 | | | |
| NV73A2ETTE110 | 110 (99.0 - 121.0) | 180 | | | | 1.4 | 60.0 | | | 85.0 | | | |
| NV73A2JTTE12 | 12 (10.2 - 13.8) | 27 | | | 500 | 500 | 0.9 | | | 6.0 | 9.0 | -50°C to +125°C | -50°C to +150°C |
| NV73A2JTTE15 | 15 (12.8 - 17.3) | 32 | | | | | 1.2 | | | 8.0 | 11.0 | | |
| NV73A2JTTE18 | 18 (16.2 - 19.8) | 35 | | | | | 1.4 | | | 11.0 | 14.0 | | |
| NV73A2JTTE22 | 22 (19.8 - 24.2) | 41 | | | | | 1.6 | | | 12.0 | 16.5 | | |
| NV73A2JTTE24 | 24 (21.6 - 26.4) | 44 | 1.7 | 14.0 | | | 18.0 | | | | | | |
| NV73A2JTTE27 | 27 (24.3 - 29.7) | 49 | 2.0 | 17.0 | | | 22.0 | | | | | | |
| NV73A2JTTE33 | 33 (29.7 - 36.3) | 54 | 2.5 | 20.0 | | | 26.0 | | | | | | |
| NV73A2JTTE39 | 39 (35.1 - 42.9) | 65 | 2.9 | 25.0 | | | 30.0 | | | | | | |
| NV73A2JTTE47 | 47 (42.3 - 51.7) | 77 | 3.5 | 30.0 | | | 38.0 | | | | | | |
| NV73A2JTTE56 | 56 (50.4 - 61.6) | 90 | 4.2 | 35.0 | | | 45.0 | | | | | | |
| NV73A2JTTE68 | 68 (61.2 - 74.8) | 110 | 4.8 | 40.0 | | | 56.0 | | | | | | |
| NV73A2JTTE82 | 82 (73.8 - 90.2) | 135 | 4.5 | 50.0 | | | 65.0 | | | | | | |
| NV73A2JTTE100 | 100 (90 - 110) | 165 | 400 | 5.8 | | | 60.0 | 85.0 | | | | | |
| NV73A2JTTE110 | 110 (99 - 121) | 180 | | 5.8 | | | 70.0 | 90.0 | | | | | |
| NV73A2JTTE150 | 150 (135 - 165) | 248 | | 5.8 | | | 95.0 | 127.0 | | | | | |
| NV73B2JTTE15 | 15 (12.8 - 17.3) | 32 | 800 | 800 | | | 1.8 | 8.0 | 11.0 | -50°C to +125°C | -50°C to +150°C | | |
| NV73B2JTTE18 | 18 (15.3 - 20.7) | 35 | | | 1.9 | 11.0 | 14.0 | | | | | | |
| NV73B2JTTE22 | 22 (19.8 - 24.2) | 41 | | | 2.3 | 12.0 | 16.5 | | | | | | |
| NV73B2JTTE24 | 24 (21.6 - 26.4) | 44 | | | 2.3 | 14.0 | 18.0 | | | | | | |
| NV73B2JTTE27 | 27 (24.3 - 29.7) | 49 | | | 2.7 | 17.0 | 22.0 | | | | | | |
| NV73B2JTTE33 | 33 (29.7 - 36.3) | 54 | | | 3.0 | 20.0 | 26.0 | | | | | | |

circuit protection

applications and ratings (continued)

| Part Designation | Reference Varistor Voltage @ 1mA nom. (Range) V _c | Clamping Voltage V _P | I _P | Maximum Peak Current I _P (A) @ 8/20 microsecond (2 pulses) | Maximum Energy E (J) | Maximum Allowable Voltage a.c rms (V) | Maximum Allowable Voltage d.c (V) | Operating Temp. T _{opt} (°C) | Storage Temp. T _{stg} (°C) | |
|------------------|--|---------------------------------|----------------|---|----------------------|---------------------------------------|-----------------------------------|---------------------------------------|-------------------------------------|------|
| NV73B2JTTE39 | 39 (35.1 - 42.9) | 65 | - | 800 | 3.7 | 25.0 | 30.0 | -50°C to +125°C | -50°C to +150°C | |
| NV73B2JTTE47 | 47 (42.3 - 51.7) | 77 | | | 4.2 | 30.0 | 38.0 | | | |
| NV73B2JTTE56 | 56 (50.4 - 61.6) | 90 | | | 4.2 | 35.0 | 45.0 | | | |
| NV73A2LTTE12 | 12 (10.2 - 13.8) | 28 | | 1000 | 1.9 | 6.0 | 9.0 | | | |
| NV73A2LTTE15 | 15 (12.8 - 17.3) | 33 | | | 2.3 | 8.0 | 11.0 | | | |
| NV73A2LTTE18 | 18 (16.2 - 19.8) | 36 | | | 2.7 | 11.0 | 14.0 | | | |
| NV73A2LTTE22 | 22 (19.8 - 24.2) | 41 | | | 2.9 | 12.0 | 16.5 | | | |
| NV73A2LTTE24 | 24 (21.6 - 26.4) | 45 | | | 3.1 | 14.0 | 18.0 | | | |
| NV73A2LTTE27 | 27 (24.3 - 29.7) | 48 | | | 3.8 | 17.0 | 22.0 | | | |
| NV73A2LTTE33 | 33 (29.7 - 36.3) | 57 | | | 4.3 | 20.0 | 26.0 | | | |
| NV73A2LTTE39 | 39 (35.1 - 42.9) | 65 | | | 5.5 | 25.0 | 30.0 | | | |
| NV73A2LTTE47 | 47 (42.3 - 51.7) | 77 | | | 6.3 | 30.0 | 38.0 | | | |
| NV73A2LTTE56 | 56 (50.4 - 61.6) | 90 | | | 7.7 | 35.0 | 45.0 | | | |
| NV73A2LTTE68 | 68 (61.2 - 74.8) | 110 | | | 8.8 | 40.0 | 56.0 | | | |
| NV73A2LTTE100 | 100 (90 - 110) | 165 | | | 6.8 | 60.0 | 85.0 | | | |
| NV73A2LTTE110 | 110 (99 - 121) | 180 | | | 6.8 | 70.0 | 90.0 | | | |
| NV73B2LTTE15 | 15 (12.8 - 17.3) | 33 | | | 1200 | 4.2 | 8.0 | | | 11.0 |
| NV73B2LTTE18 | 18 (15.3 - 20.7) | 36 | | | | 5.4 | 11.0 | | | 14.0 |
| NV73B2LTTE22 | 22 (19.8 - 24.2) | 41 | | 5.8 | | 12.0 | 16.5 | | | |
| NV73B2LTTE24 | 24 (21.6 - 26.4) | 45 | | 5.8 | | 14.0 | 18.0 | | | |
| NV73B2LTTE27 | 27 (24.3 - 29.7) | 48 | | 7.2 | | 17.0 | 22.0 | | | |
| NV73B2LTTE33 | 33 (29.7 - 36.3) | 57 | | 7.8 | | 20.0 | 26.0 | | | |
| NV73B2LTTE39 | 39 (35.1 - 42.9) | 65 | | 9.6 | | 25.0 | 30.0 | | | |
| NV73B2LTTE47 | 47 (42.3 - 51.7) | 77 | | 12.0 | | 30.0 | 38.0 | | | |
| NV73B2LTTE56 | 56 (50.4 - 61.6) | 90 | | 7.7 | | 35.0 | 45.0 | | | |
| NV73B2LTTE82 | 82 (73.8 - 90.2) | 135 | | 1000 | | 5.6 | 50.0 | | | 65.0 |

Maximum allowable voltage - the maximum sinusoidal RMS voltage or maximum DC voltage which can be applied continuously
 E: Maximum energy - the maximum energy within the varistor voltage change of ±10% when a single impulse of 2m sec. is applied
 I_P: Maximum peak current - the maximum peak current within the varistor voltage change of ±10% when a single standard impulse of 8/20μ sec. is applied two times with an interval of 5 min.
 T_{opt}: Operating temperature - Ambient temperature range when the device is operating
 T_{stg}: Storage temperature - Temperature range without causing the device any failure

environmental applications

Performance Characteristics

| Parameter | Requirement Δ V±% | Test Method |
|--|----------------------------|---|
| Varistor Voltage | Within specified tolerance | Voltage between terminals when 1mA is flowed |
| Solderability | 95% coverage minimum | 230°C ± 5°C, 4 seconds ± 1 second; 235°C ± 5°C, 4 seconds ± 1 second*** |
| Resistance to Solder Heat | ±10% | 260°C ± 5°C, 10 seconds ± 0.5 second*; 270°C ± 5°C, 3 seconds ± 0.5 second**; 260°C ± 5°C, 4 seconds ± 1 second*** |
| Rapid Change of Temperature | ±10% | -40°C (30 minutes), +125°C (30 minutes), 30 cycles; 5 cycles*** |
| Maximum Peak Current | ±10% | A single standard impulse of 8/20μ seconds, positive/negative applied once each; A single standard impulse of 8/20μ seconds, 100 pulse, 30 second interval*** |
| Maximum Energy | ±10% | A single standard impulse of 10/1000μs, once*; A single standard impulse of 2ms, once**; A single standard impulse of 10/1000μs, 100pulse, 90 second interval*** |
| High Temperature Life with d.c. Bias | ±10% | 85°C ± 5°C, 1000h, Load: Maximum allowable circuit voltage (d.c.); 125°C ± 5°C, 1000h, Load: Maximum allowable circuit voltage (d.c.)*** |
| Low Temperature Life with d.c. Bias*** | ±10% | -50°C ± 5°C, 1000h, Load: Maximum allowable circuit voltage (d.c.) |
| High Temperature Life with a.c. Bias** | ±10% | 85°C ± 5°C, 1000h, Load: Maximum allowable circuit voltage (V _{a.c.r.m.s.}) |
| High Temperature & High Humidity Life with d.c. Bias | ±10% | 40°C ± 5°C, 95% RH, 500h, Load: Maximum allowable voltage (d.c.) |
| Capacitance* | Typical | 1kHz: Others, 1MHz: Varistor voltage 120V |
| High Temperature Storage Life | ±10% | 125°C ± 5°C, 1000h; 150°C ± 5°C, 1000h*** |
| Low Temperature Storage Life | ±10% | -40°C ± 5°C, 1000h; -50°C ± 5°C, 1000h*** |

* 1H, 1E ** 1J, 2A, 2B *** 2E, 2J, 2L

For Voltage Current Curves Graphs see Environmental Applications. Additional environmental applications can also be found at www.koaspeer.com
 Specifications given herein may be changed at any time without prior notice. Please confirm technical specifications before you order and/or use. 1/05/11

circuit protection



Компания «ЭлектроПласт» предлагает заключение долгосрочных отношений при поставках импортных электронных компонентов на взаимовыгодных условиях!

Наши преимущества:

- Оперативные поставки широкого спектра электронных компонентов отечественного и импортного производства напрямую от производителей и с крупнейших мировых складов;
- Поставка более 17-ти миллионов наименований электронных компонентов;
- Поставка сложных, дефицитных, либо снятых с производства позиций;
- Оперативные сроки поставки под заказ (от 5 рабочих дней);
- Экспресс доставка в любую точку России;
- Техническая поддержка проекта, помощь в подборе аналогов, поставка прототипов;
- Система менеджмента качества сертифицирована по Международному стандарту ISO 9001;
- Лицензия ФСБ на осуществление работ с использованием сведений, составляющих государственную тайну;
- Поставка специализированных компонентов (Xilinx, Altera, Analog Devices, Intersil, Interpoint, Microsemi, Aeroflex, Peregrine, Syfer, Eurofarad, Texas Instrument, Miteq, Cobham, E2V, MA-COM, Hittite, Mini-Circuits, General Dynamics и др.);

Помимо этого, одним из направлений компании «ЭлектроПласт» является направление «Источники питания». Мы предлагаем Вам помощь Конструкторского отдела:

- Подбор оптимального решения, техническое обоснование при выборе компонента;
- Подбор аналогов;
- Консультации по применению компонента;
- Поставка образцов и прототипов;
- Техническая поддержка проекта;
- Защита от снятия компонента с производства.



Как с нами связаться

Телефон: 8 (812) 309 58 32 (многоканальный)

Факс: 8 (812) 320-02-42

Электронная почта: org@eplast1.ru

Адрес: 198099, г. Санкт-Петербург, ул. Калинина, дом 2, корпус 4, литера А.