



2.4 GHz High-Efficiency, High-Gain Power Amplifier Module

SST12LP19E

Product Brief

The SST12LP19E is a 2.4 GHz high-efficiency Power Amplifier based on the highly-reliable InGaP/GaAs HBT technology and designed in compliance with IEEE 802.11b/g/n applications. It typically provides 25 dB gain with 34% power-added efficiency, while meeting 802.11g spectrum mask at 23.5 dBm. The SST12LP19E also features easy board-level usage, along with high-speed power-up/-down control through a single combined reference voltage pin, and is offered in both a 6-contact XSON and 8-contact XSON package.

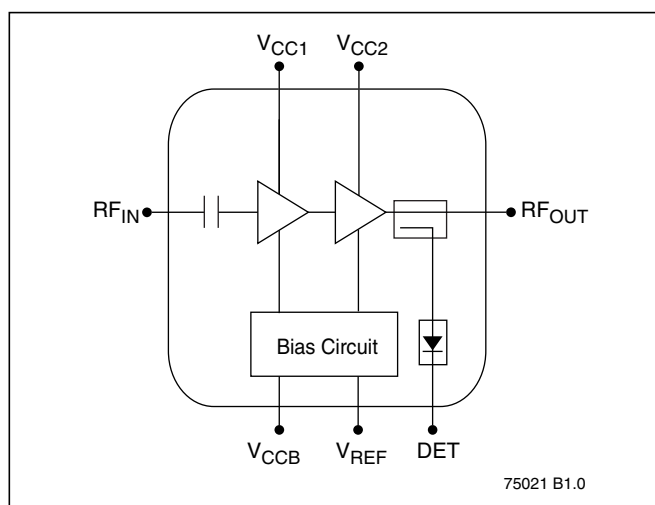
Features

- **High gain:**
 - Typically 25 dB gain across 2.4–2.5 GHz
- **High linear output power (at 3.3V):**
 - ~3% added EVM up to 20 dBm (high-power configuration)
 - ~2.5% added EVM up to 18 dBm (high-efficiency configuration)
 - Meets 802.11g OFDM ACPR requirement up to 23.5 dBm
 - Meets 802.11b ACPR requirement up to 23 dBm
- **High power-added efficiency/Low operating current for 802.11b/g/n applications**
 - ~34% @ $P_{OUT} = 23.5$ dBm for 802.11g
 - ~31% @ $P_{OUT} = 23$ dBm for 802.11b
- **Low shut-down current (~2 μ A)**
- **Delivers excellent performance at low temperature down to 2.75 V bias voltage.**
- **Limited variation over temperature**
 - ~2.5 dB gain variation between -40°C to +85°C
 - ~1 dB power variation between -40°C to +85°C
- **Temperature and load insensitive on-chip power detector**
 - >20dB dynamic range
- **Packages available**
 - 8-contact XSON – 2mm x 2mm x 0.45mm
 - 6-contact XSON – 1.5mm x 1.5mm x 0.45mm
- **All non-Pb (lead-free) devices are RoHS compliant**

Applications

- WLAN (IEEE 802.11b/g/n)
- Home RF
- Cordless phones
- 2.4 GHz ISM wireless equipment

Block Diagram



Product Ordering

Valid combinations for SST12LP19E

SST12LP19E-QX8E SST12LP19E-QX6E

SST12LP19E Evaluation Kits

SST12LP19E-QX8E-K SST12LP19E-QX6E-K

Note: Valid combinations are those products in mass production or will be in mass production. Consult your SST sales representative to confirm availability of valid combinations and to determine availability of new combinations.



A Microchip Technology Company

2.4 GHz High-Efficiency, High-Gain Power Amplifier Module SST12LP19E

Product Brief

Contact Information

Thank you for your interest in Microchip RF products. The data sheet for this device contains proprietary information. To obtain a copy of the data sheet, contact your local Microchip sales representative or distributor at the link below.

Global Sales and Distribution

Table 1:Revision History

Revision	Description	Date
A	• Initial release of Product Brief	Jul 2011

ISBN:978-1-61341-446-0

© 2011 Silicon Storage Technology, Inc—a Microchip Technology Company. All rights reserved.

SST, Silicon Storage Technology, the SST logo, SuperFlash, MTP, and FlashFlex are registered trademarks of Silicon Storage Technology, Inc. MPF, SQI, Serial Quad I/O, and Z-Scale are trademarks of Silicon Storage Technology, Inc. All other trademarks and registered trademarks mentioned herein are the property of their respective owners.

Specifications are subject to change without notice. Refer to www.microchip.com for the most recent documentation. For the most current package drawings, please see the Packaging Specification located at <http://www.microchip.com/packaging>.

Memory sizes denote raw storage capacity; actual usable capacity may be less.

SST makes no warranty for the use of its products other than those expressly contained in the Standard Terms and Conditions of Sale.

For sales office locations and information, please see www.microchip.com.

Silicon Storage Technology, Inc.
A Microchip Technology Company
www.microchip.com



Компания «ЭлектроПласт» предлагает заключение долгосрочных отношений при поставках импортных электронных компонентов на взаимовыгодных условиях!

Наши преимущества:

- Оперативные поставки широкого спектра электронных компонентов отечественного и импортного производства напрямую от производителей и с крупнейших мировых складов;
- Поставка более 17-ти миллионов наименований электронных компонентов;
- Поставка сложных, дефицитных, либо снятых с производства позиций;
- Оперативные сроки поставки под заказ (от 5 рабочих дней);
- Экспресс доставка в любую точку России;
- Техническая поддержка проекта, помощь в подборе аналогов, поставка прототипов;
- Система менеджмента качества сертифицирована по Международному стандарту ISO 9001;
- Лицензия ФСБ на осуществление работ с использованием сведений, составляющих государственную тайну;
- Поставка специализированных компонентов (Xilinx, Altera, Analog Devices, Intersil, Interpoint, Microsemi, Aeroflex, Peregrine, Syfer, Eurofarad, Texas Instrument, Miteq, Cobham, E2V, MA-COM, Hittite, Mini-Circuits, General Dynamics и др.);

Помимо этого, одним из направлений компании «ЭлектроПласт» является направление «Источники питания». Мы предлагаем Вам помощь Конструкторского отдела:

- Подбор оптимального решения, техническое обоснование при выборе компонента;
- Подбор аналогов;
- Консультации по применению компонента;
- Поставка образцов и прототипов;
- Техническая поддержка проекта;
- Защита от снятия компонента с производства.



Как с нами связаться

Телефон: 8 (812) 309 58 32 (многоканальный)

Факс: 8 (812) 320-02-42

Электронная почта: org@eplast1.ru

Адрес: 198099, г. Санкт-Петербург, ул. Калинина, дом 2, корпус 4, литера А.