

PLEASE CHECK WWW.MOLEX.COM FOR LATEST PART INFORMATION

Part Number: [0850133196](#)
Status: **Active**
Overview: [din_41612](#)
Description: 2.54mm (.100") Pitch DIN 41612 Header, Through Hole, Vertical, Style R/2 Reverse, 1µm (40µ") Selective Gold (Au), 48 Circuits, Lead free

Documents:

[3D Model](#) [Product Specification PS-85013-0001 \(PDF\)](#)
[Drawing \(PDF\)](#) [RoHS Certificate of Compliance \(PDF\)](#)

Agency Certification

CSA LR19980
 UL E29179

General

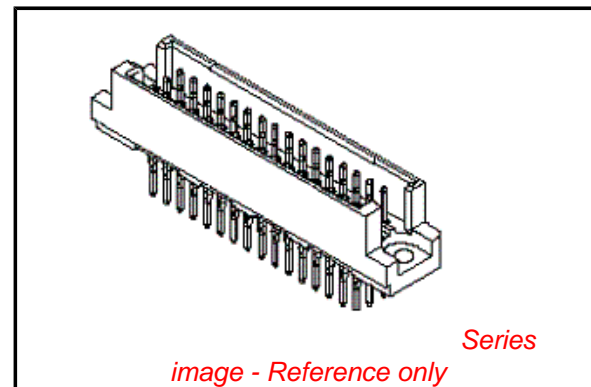
Product Family Backplane Connectors
 Series [85013](#)
 Application Daughtercard
 Comments No Industrial Environment
 Component Type PCB Header
 Overview [din_41612](#)
 Product Name IEC 603-2/DIN 41612
 Style R/2

Physical

Circuits (Loaded) 48
 Circuits (maximum) 48
 Circuits Detail Rows A, B, & C
 Durability (mating cycles max) 500
 First Mate / Last Break No
 Flammability 94V-0
 Guide to Mating Part No
 Keying to Mating Part Yes
 Number of Columns 16
 Number of Pairs Open Pin Field
 Number of Rows 3
 Orientation Vertical
 PC Tail Length (in) 0.110 In
 PC Tail Length (mm) 2.90 mm
 PCB Locator No
 PCB Retention Yes
 Packaging Type Bag
 Pitch - Mating Interface (in) 0.100 In
 Pitch - Mating Interface (mm) 2.54 mm
 Pitch - Term. Interface (in) 0.100 In
 Pitch - Term. Interface (mm) 2.54 mm
 Plating min: Mating (µin) 39
 Plating min: Mating (µm) 1
 Polarized to PCB No
 Stackable No
 Surface Mount Compatible (SMC) No
 Temperature Range - Operating -55°C to +125°C

Electrical

Current - Maximum per Contact 1A
 Data Rate 622.0 Mbps



EU RoHS

ELV and RoHS Compliant
REACH SVHC Not Reviewed
Halogen-Free Status Not Reviewed

China RoHS



Need more information on product environmental compliance?

Email productcompliance@molex.com
 For a multiple part number RoHS Certificate of Compliance, [click here](#)

Please visit the [Contact Us](#) section for any non-product compliance questions.

Search Parts in this Series

[85013Series](#)

Mates With

[85042](#) DIN 41612 Receptacle . [85052](#) DIN 41612 Header

Real Signals (per 25mm)	30
Shield Type	N/A
Shielded	No
Voltage - Maximum	1000V (RMS)

Material Info

Reference - Drawing Numbers

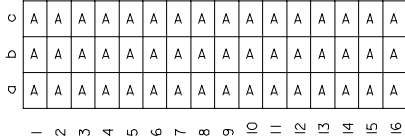
Product Specification	PS-85013-0001
Sales Drawing	SD-85013-3196, SDA-85013-0002, SDA-85013-3196

This document was generated on 05/17/2010

PLEASE CHECK WWW.MOLEX.COM FOR LATEST PART INFORMATION

20 19 18 17 16 15 14 13 12 11 9 8 7 6 5 4 3 2 1

VIEW ON MATING SIDE



A = 48 STANDARD CONTACTS L = 2.9

MARKING	STANDARD
PERFORMANCE LEVEL	G3/0 = CONTACT AREA LEVEL3 / TERMINATION TIN
FLUX PROOF	NO
FIXING CLIP	NO
DIMENSIONS	E-85013-0002 SHT 1-2

A	G3/0	a1-16 b1-16 c1-16
CONTACT SYMBOL	PERFORMANCE LEVEL	CONTACT POSITION NUMBER

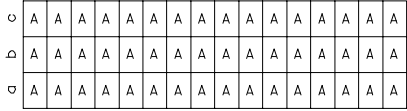
SL. NO.	DESCRIPTION	CONTACT SYMBOL	PART NUMBER	QTY
1	HOUSING		36520-0002	1
2	TERMINAL	A	36527-0005	48

EC NO. I 2002-XXXX DRAWN: S 31/03/04 CHK: G.L. 31/03/04 APPR: L. 31/03/04	QUALITY SYMBOLS	GENERAL TOLERANCES: (UNLESS SPECIFIED)	SCALE	DESIGN UNITS	DIMENSIONS:	SHT	REV	
	MAJOR	mm INCH	1:1	mm INCH	mm INCH mm ONLY			
	CRITICAL							
	DESCRIPTION							
A	REV	4 PLACES ±0. ± 3 PLACES ±0. ± 2 PLACES ±0. ± 1 PLACE ±0. ±	DRAWN BY & DATE NLS 31/03/04 CHECKED BY & DATE G.L. 31/03/04 APPROVED BY & DATE G.L. 31/03/04	THIRD ANGLE PROJECTION TITLE: 48 POS MALE CONNECTOR ACCORDING DIN 41612 STYLE R/2 CONTACTS ARRANGEMENT	THIS DRAWING CONTAINS INFORMATION THAT IS PROPRIETARY TO MOLEX INCORPORATED AND SHOULD NOT BE USED WITHOUT WRITTEN PERMISSION.	MATERIAL NO. E-85013-3196.S01	DRAWING NO. E-85013-3196	SHEET NO. 1 OF 1

19 18 17 16 15 14 13 12 11 10 9 8 7 6 5 4 3 2 1

20 19 18 17 16 15 14 13 12 11 9 8 7 6 5 4 3 2 1

VIEW ON MATING SIDE



- 2 3 4 5 6 7 8 9 10 = 11 12 13 14 15 16

A = 48 STANDARD CONTACTS L = 2.9

MARKING	STANDARD
PERFORMANCE LEVEL	G3/0 = CONTACT AREA LEVEL3 / TERMINATION TIN
FLUX PROOF	NO
FIXING CLIP	NO
DIMENSIONS	SD-85013-0002 SHT 1

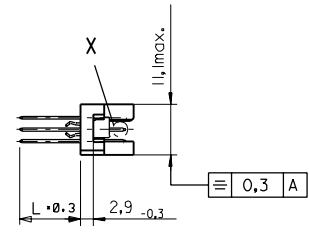
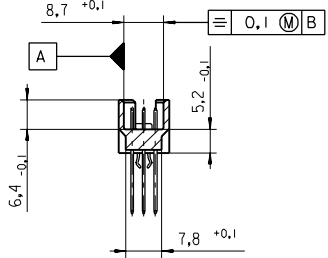
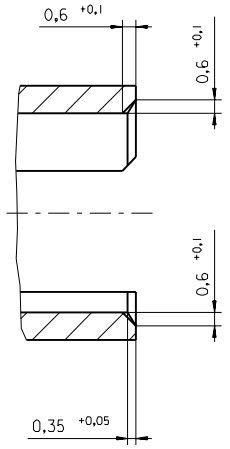
A	G3/0	a1-16 b1-16 c1-16
CONTACT SYMBOL	PERFORMANCE LEVEL	CONTACT POSITION NUMBER

EC No. I 2002-XXXX DRAWN: S 31/03/04 CHK: G.L. 31/03/04 APPR: G.L. 31/03/04		QUALITY SYMBOLS MAJOR CRITICAL	GENERAL TOLERANCES: (UNLESS SPECIFIED)	SCALE	DESIGN UNITS <input checked="" type="checkbox"/> MM <input type="checkbox"/> INCH	DIMENSIONS: <input type="checkbox"/> MM INCH <input type="checkbox"/> INCH MM <input checked="" type="checkbox"/> MM ONLY	SHT 1 REV
DRAWN BY & DATE NLS 31/03/04		4 PLACES $\pm 0.$ $\pm.$		CHECKED BY & DATE G.L. 31/03/04	TITLE: 48 POS MALE CONNECTOR ACCORDING DIN 41612 STYLE R/2 CONTACTS ARRANGEMENT		REVISE ON CAD ONLY
APPROVED BY & DATE G.L. 31/03/04		2 PLACES $\pm 0.$ $\pm.$		CAD FILENAME S850133196.S01		MATERIAL NO. 85013-3196	
DRAFT WHERE APPLICABLE MUST REMAIN WITHIN DIMENSIONS		1 PLACE $\pm 0.$ $\pm.$		DRAWING NO. SD-85013-3196		SHEET NO. 1 OF 1	
THIS DRAWING CONTAINS INFORMATION THAT IS PROPRIETARY TO MOLEX INCORPORATED AND SHOULD NOT BE USED WITHOUT WRITTEN PERMISSION.							

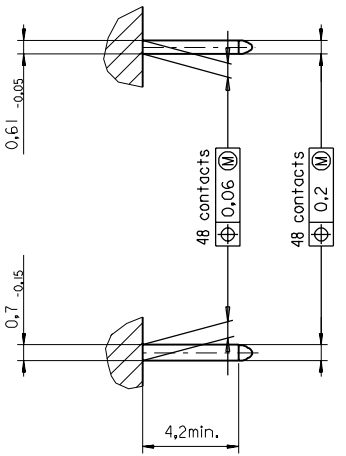
19 18 17 16 15 14 13 12 11 10 9 8 7 6 5 4 3 2 1

PART NO.
DWG. NO.

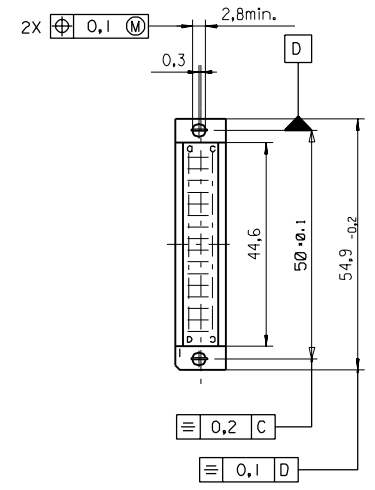
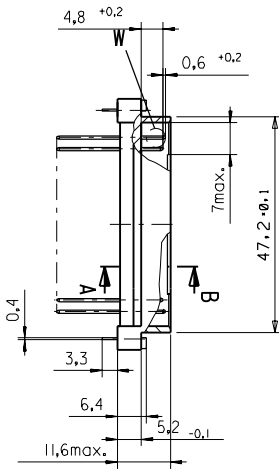
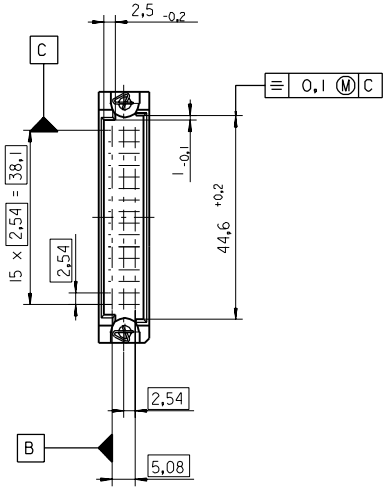
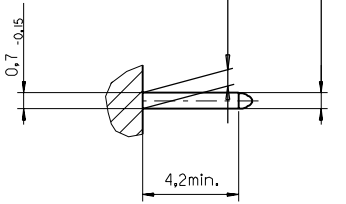
Section A - B
5:1



View X
5:1



View W
5:1



FIRST ANGLE PROJECTION		REVISE ONLY ON CAD SYSTEM		SH.	REV.
first release see ECN No. 1887	LTR	FOR PREVIOUS REVISIONS SEE MRI LIST	UNLESS OTHERWISE SPECIFIED TOLERANCES: ANGULAR ± 2°	DRWG BY	SIGN
		3 PLACE ± . ±	INCH METRIC	Ca	
BI	LTR	2 PLACE ± . ±		CHK'D BY	SIGN
		1 PLACE ± . ±		KN	
		DRAFT WHERE APPLICABLE MUST REMAIN WITHIN DIMENSIONS		APP'D BY	SIGN
		DESIGN DIMENSION	<input checked="" type="checkbox"/> MM <input type="checkbox"/> IN.	SCALE	
		EQUIVALENT DIMENSION	<input type="checkbox"/> MM <input type="checkbox"/> IN.		
		IF TWO DIMENSIONS ARE SHOWN THE UPPER IS THE DESIGN DIMENSION, LOWER IS SECONDARY			
CAD/CAM PROJECT NAME 85013000 821			THIS DRAWING CONTAINS INFORMATION THAT IS PROPRIETARY TO MOLEX INC. & SHOULD NOT BE USED WITHOUT WRITTEN PERMISSION		
TITLE 48 pos. Male connector acc. DIN 41612 style R/2 Dimensions			SHEET NO. DATE 1 OF 95/06/08		
MOLEX MOLEX EUROPE			PART NO. DWG NO. SIZE		
			SDA-85013-0002 B		

VIEW ON MATING SIDE

⊂	A	A	A	A	A	A	A	A	A	A	A	A	A	A	A	A	A	A	A
⊃	A	A	A	A	A	A	A	A	A	A	A	A	A	A	A	A	A	A	A
⊂	A	A	A	A	A	A	A	A	A	A	A	A	A	A	A	A	A	A	A

1 2 3 4 5 6 7 8 9 10 11 12 13 14 15 16 17 18 19 20 21 22 23 24 25 26 27 28 29 30 31 32 33 34 35 36 37 38 39 40 41 42 43 44 45 46 47 48

A = 48 STANDARD CONTACTS L=4,5

Marking	Standard
Performance level	G3/0 = Contact area perform. level3 / Termination tin
Flux proof	no
Fixing clip	no
Dimensions	SDA-85013-0002 sht.1
Technical Data	PS-85013-0001

A	G3/0	a1-16	b1-16	c1-16
Contact symbol	Perform. level	Contact position number		

ECN No. MC1998-2626 first release	REVISIONS		FOR PREVIOUS REVISIONS SEE MRI LIST	
	LTR			
UNLESS OTHERWISE SPECIFIED TOLERANCES: ANGULAR ± 2° INCH METRIC		DRWG BY	SIGN	CAD/CAM PROJECT NAME
3 PLACE ± .	±	Ca		s8501331
2 PLACE ± .	±	CHK'D BY	SIGN	s91
1 PLACE ± .	±	KN		
DRAFT WHERE APPLICABLE MUST REMAIN WITHIN DIMENSIONS		APP'D BY	SIGN	TITLE
DESIGN DIMENSION	<input type="checkbox"/> MM <input type="checkbox"/> IN.	JB		48 pos. Male connector acc. DIN 41612 style R/2 contacts arrangement
EQUIVALENT DIMENSION	<input type="checkbox"/> MM <input type="checkbox"/> IN.	SCALE		MOLEX® MOLEX EUROPE
IF TWO DIMENSIONS ARE SHOWN, THE UPPER IS THE DESIGN DIMENSION, LOWER IS SECONDARY		PART NO. 85013-3196		
		DWG NO. SDA-85013-3196		
		SHEET NO. DATE		
		1 OF 1 97/10/24		
		SIZE A		

REVISE ONLY ON CAD SYSTEM SH. REV.

THIS DRAWING CONTAINS INFORMATION THAT IS PROPRIETARY TO MOLEX INC. & SHOULD NOT BE USED WITHOUT WRITTEN PERMISSION

SH. REV.

DATE

SIZE

A



Компания «ЭлектроПласт» предлагает заключение долгосрочных отношений при поставках импортных электронных компонентов на взаимовыгодных условиях!

Наши преимущества:

- Оперативные поставки широкого спектра электронных компонентов отечественного и импортного производства напрямую от производителей и с крупнейших мировых складов;
- Поставка более 17-ти миллионов наименований электронных компонентов;
- Поставка сложных, дефицитных, либо снятых с производства позиций;
- Оперативные сроки поставки под заказ (от 5 рабочих дней);
- Экспресс доставка в любую точку России;
- Техническая поддержка проекта, помощь в подборе аналогов, поставка прототипов;
- Система менеджмента качества сертифицирована по Международному стандарту ISO 9001;
- Лицензия ФСБ на осуществление работ с использованием сведений, составляющих государственную тайну;
- Поставка специализированных компонентов (Xilinx, Altera, Analog Devices, Intersil, Interpoint, Microsemi, Aeroflex, Peregrine, Syfer, Eurofarad, Texas Instrument, Miteq, Cobham, E2V, MA-COM, Hittite, Mini-Circuits, General Dynamics и др.);

Помимо этого, одним из направлений компании «ЭлектроПласт» является направление «Источники питания». Мы предлагаем Вам помощь Конструкторского отдела:

- Подбор оптимального решения, техническое обоснование при выборе компонента;
- Подбор аналогов;
- Консультации по применению компонента;
- Поставка образцов и прототипов;
- Техническая поддержка проекта;
- Защита от снятия компонента с производства.



Как с нами связаться

Телефон: 8 (812) 309 58 32 (многоканальный)

Факс: 8 (812) 320-02-42

Электронная почта: org@eplast1.ru

Адрес: 198099, г. Санкт-Петербург, ул. Калинина, дом 2, корпус 4, литера А.