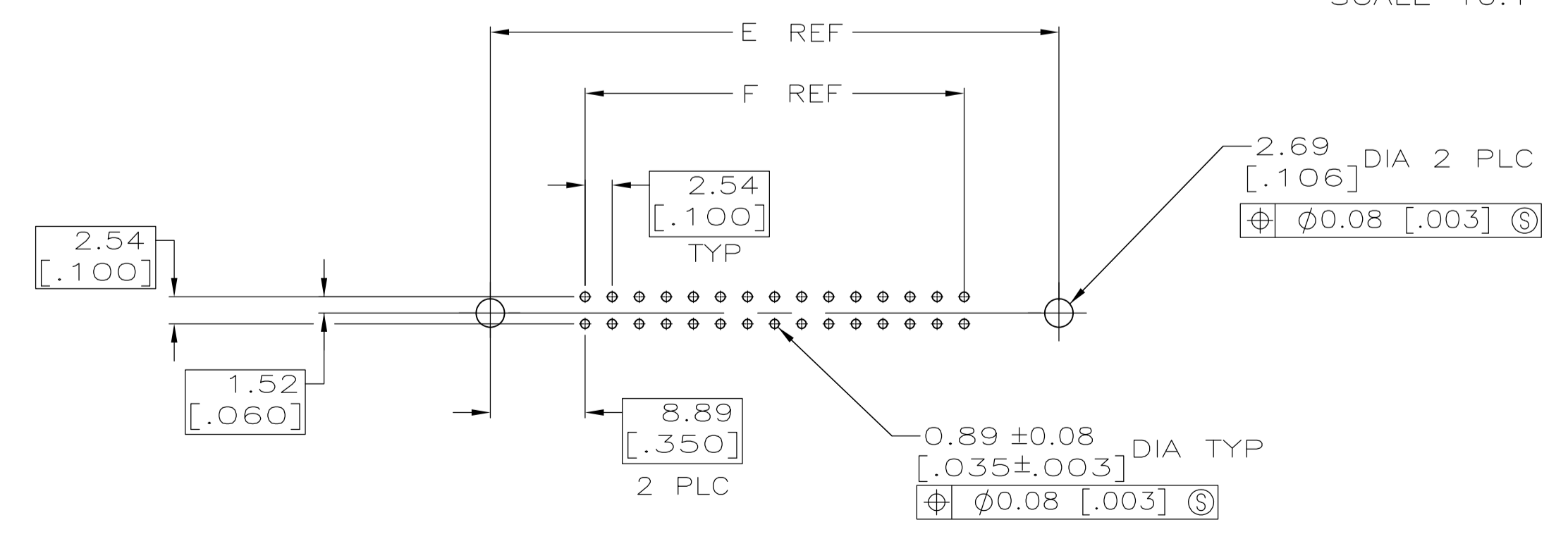
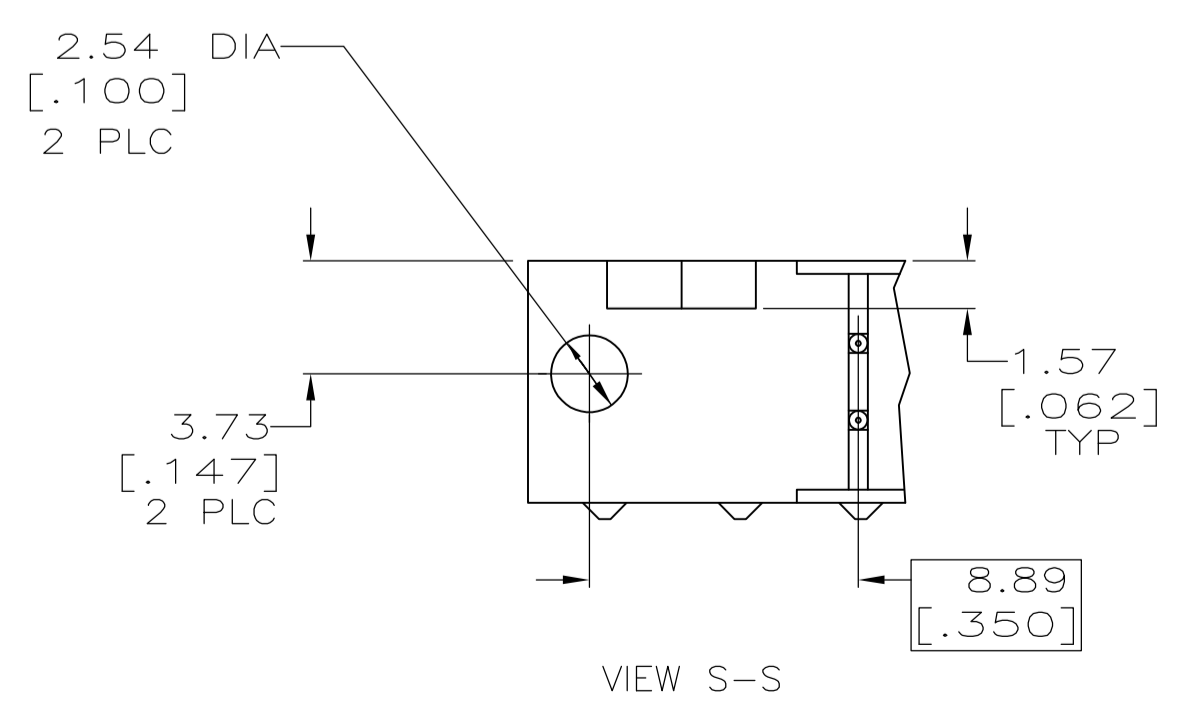
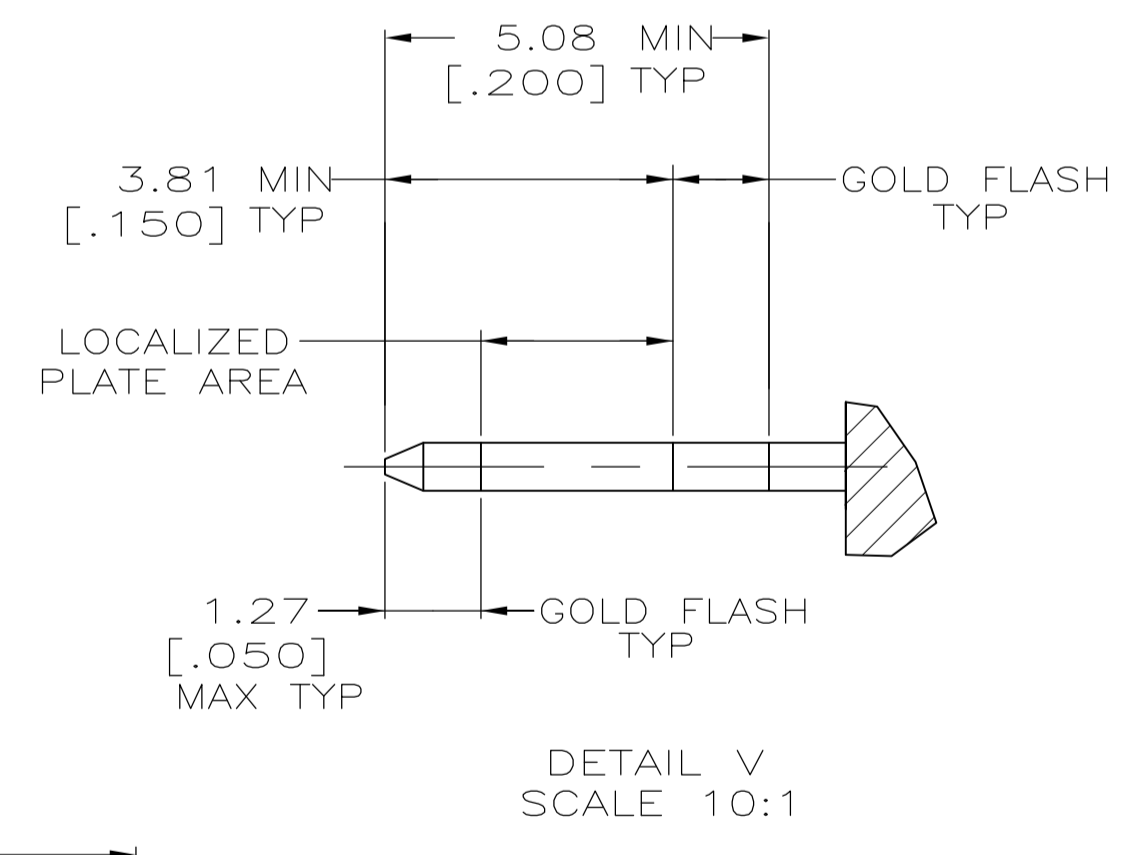
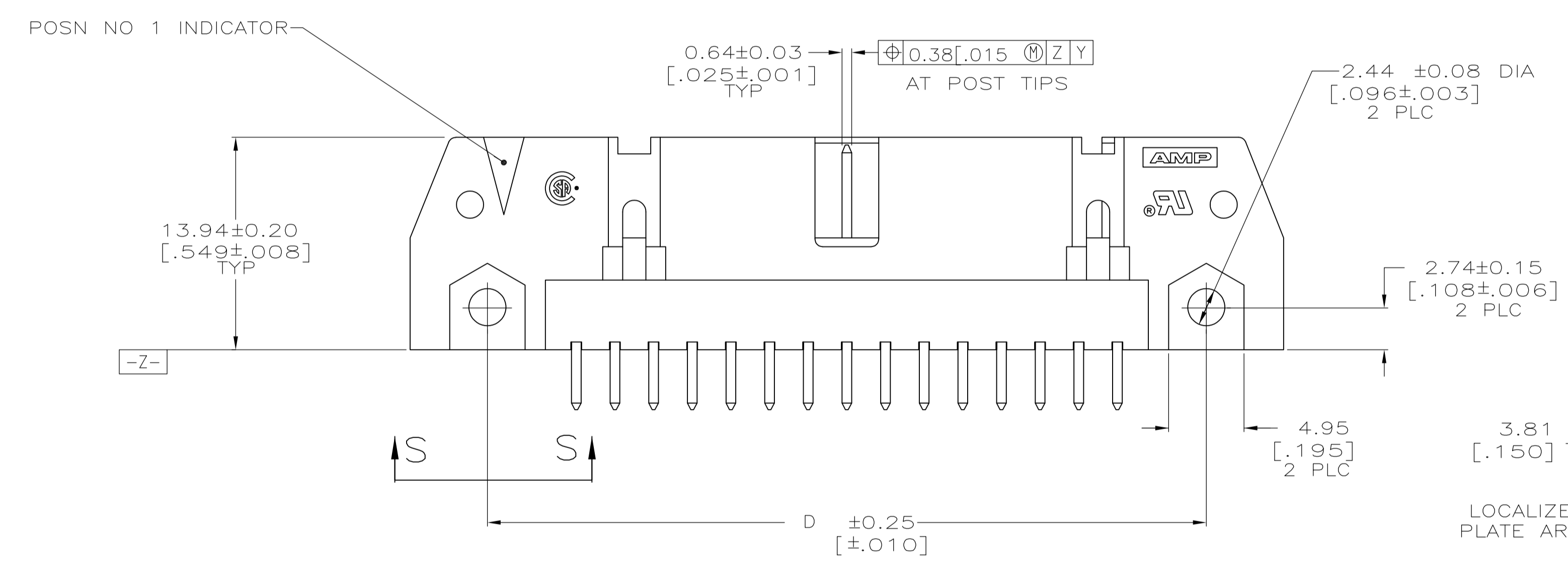


- 1. COORDINATE DIMENSION APPLIES FROM BASIC LOCATION.
- 2. 10 AND 14 POSITION SIZES CONTAIN ONLY ONE SLOT FOR SNAP-IN POLARIZER (MILITARY POLARIZATION) LOCATED AS SHOWN.
- 3. 10 POSITION SIZES CONTAIN ONLY ONE SLOT FOR DUAL POLARIZATION, LOCATED AS SHOWN.
- 4. RECOMMENDED PRINTED CIRCUIT BOARD THICKNESS IS 3.18 [.125].
- 5. POSTS:
 GOLD FLASH OVER PALLADIUM-NICKEL PLATE, 0.38µm [.000015] MIN TOTAL ON THE LOCALIZED PLATE AREA,
 2.54µm [.000100] MIN TIN-LEAD PLATE ON THE SOLDER-TAIL,
 1.27µm [.000050] MIN NICKEL UNDERPLATE ON THE ENTIRE POST.
 OR
 0.38µm [.000015] MIN GOLD PLATE ON THE LOCALIZED PLATE AREA,
 2.54µm [.000100] MIN TIN-LEAD PLATE ON THE SOLDER-TAIL,
 1.27µm [.000050] MIN NICKEL UNDERPLATE ON THE ENTIRE POST.
- 6. MATERIAL:
 HOUSING: GLASS FILLED NYLON OR POLYESTER, 94V-0 RATED, BLACK.
 POSTS: PHOSPHOR BRONZE OR BRASS.



	F	E	D	C	B	A	NO OF POSN	PART NUMBER
OBSOLETE	53.34 [2.100]	71.12 [2.800]	65.02 [2.560]	75.18 [2.960]	71.12 [2.800]	60.96 [2.400]	44	1-102155-3
	78.74 [3.100]	96.52 [3.800]	90.42 [3.560]	100.58 [3.960]	96.52 [3.800]	86.36 [3.400]	64	1-102155-2
OBSOLETE	73.66 [2.900]	91.44 [3.600]	85.34 [3.360]	95.50 [3.760]	91.44 [3.600]	81.28 [3.200]	60	1-102155-1
	60.96 [2.400]	78.74 [3.100]	72.64 [2.860]	82.80 [3.260]	78.74 [3.100]	68.58 [2.700]	50	1-102155-0
	48.26 [1.900]	66.04 [2.600]	59.94 [2.360]	70.10 [2.760]	66.04 [2.600]	55.88 [2.200]	40	102155-9
	40.64 [1.600]	58.42 [2.300]	52.32 [2.060]	62.48 [2.460]	58.42 [2.300]	48.26 [1.900]	34	102155-8
OBSOLETE	35.56 [1.400]	53.34 [2.100]	47.24 [1.860]	57.40 [2.260]	53.34 [2.100]	43.18 [1.700]	30	102155-7
	30.48 [1.200]	48.26 [1.900]	42.16 [1.660]	52.32 [2.060]	48.26 [1.900]	38.10 [1.500]	26	102155-6
OBSOLETE	27.94 [1.100]	45.72 [1.800]	39.62 [1.560]	49.78 [1.960]	45.72 [1.800]	35.56 [1.400]	24	102155-5
OBSOLETE	22.86 [.900]	40.64 [1.600]	34.54 [1.360]	44.70 [1.760]	40.64 [1.600]	30.48 [1.200]	20	102155-4
	17.78 [.700]	35.56 [1.400]	29.46 [1.160]	39.62 [1.560]	35.56 [1.400]	25.40 [1.000]	16	102155-3
OBSOLETE	15.24 [.600]	33.02 [1.300]	26.92 [1.060]	37.08 [1.460]	33.02 [1.300]	22.86 [.900]	14	102155-2
	10.16 [.400]	27.94 [1.100]	21.84 [.860]	32.00 [1.260]	27.94 [1.100]	17.78 [.700]	10	102155-1

THIS DRAWING IS A CONTROLLED DOCUMENT. DIN 4-23-90
H. MOLL

CHG R. STONE 11-28-90

APVD NAME

DIMENSIONS: mm [INCHES] TOLERANCES UNLESS OTHERWISE SPECIFIED:

0 PLC	±	-
1 PLC	±	-
2 PLC	±	0.13[.005]
3 PLC	±	-
4 PLC	±	-
ANGLES	±	-

MATERIAL FINISH

THIS DRAWING IS A CONTROLLED DOCUMENT. DIN 4-23-90
H. MOLL

CHG R. STONE 11-28-90

APVD NAME

DIMENSIONS: mm [INCHES] TOLERANCES UNLESS OTHERWISE SPECIFIED:

0 PLC	±	-
1 PLC	±	-
2 PLC	±	0.13[.005]
3 PLC	±	-
4 PLC	±	-
ANGLES	±	-

MATERIAL FINISH

THIS DRAWING IS A CONTROLLED DOCUMENT. DIN 4-23-90
H. MOLL

CHG R. STONE 11-28-90

APVD NAME

DIMENSIONS: mm [INCHES] TOLERANCES UNLESS OTHERWISE SPECIFIED:

0 PLC	±	-
1 PLC	±	-
2 PLC	±	0.13[.005]
3 PLC	±	-
4 PLC	±	-
ANGLES	±	-

MATERIAL FINISH

THIS DRAWING IS A CONTROLLED DOCUMENT. DIN 4-23-90
H. MOLL

CHG R. STONE 11-28-90

APVD NAME

DIMENSIONS: mm [INCHES] TOLERANCES UNLESS OTHERWISE SPECIFIED:

0 PLC	±	-
1 PLC	±	-
2 PLC	±	0.13[.005]
3 PLC	±	-
4 PLC	±	-
ANGLES	±	-

MATERIAL FINISH

THIS DRAWING IS A CONTROLLED DOCUMENT. DIN 4-23-90
H. MOLL

CHG R. STONE 11-28-90

APVD NAME

DIMENSIONS: mm [INCHES] TOLERANCES UNLESS OTHERWISE SPECIFIED:

0 PLC	±	-
1 PLC	±	-
2 PLC	±	0.13[.005]
3 PLC	±	-
4 PLC	±	-
ANGLES	±	-

MATERIAL FINISH

THIS DRAWING IS A CONTROLLED DOCUMENT. DIN 4-23-90
H. MOLL

CHG R. STONE 11-28-90

APVD NAME

DIMENSIONS: mm [INCHES] TOLERANCES UNLESS OTHERWISE SPECIFIED:

0 PLC	±	-
1 PLC	±	-
2 PLC	±	0.13[.005]
3 PLC	±	-
4 PLC	±	-
ANGLES	±	-

MATERIAL FINISH

THIS DRAWING IS A CONTROLLED DOCUMENT. DIN 4-23-90
H. MOLL

CHG R. STONE 11-28-90

APVD NAME

DIMENSIONS: mm [INCHES] TOLERANCES UNLESS OTHERWISE SPECIFIED:

0 PLC	±	-
1 PLC	±	-
2 PLC	±	0.13[.005]
3 PLC	±	-
4 PLC	±	-
ANGLES	±	-

MATERIAL FINISH

THIS DRAWING IS A CONTROLLED DOCUMENT. DIN 4-23-90
H. MOLL

CHG R. STONE 11-28-90

APVD NAME

DIMENSIONS: mm [INCHES] TOLERANCES UNLESS OTHERWISE SPECIFIED:

0 PLC	±	-
1 PLC	±	-
2 PLC	±	0.13[.005]
3 PLC	±	-
4 PLC	±	-
ANGLES	±	-

MATERIAL FINISH

THIS DRAWING IS A CONTROLLED DOCUMENT. DIN 4-23-90
H. MOLL

CHG R. STONE 11-28-90

APVD NAME

DIMENSIONS: mm [INCHES] TOLERANCES UNLESS OTHERWISE SPECIFIED:

0 PLC	±	-
1 PLC	±	-
2 PLC	±	0.13[.005]
3 PLC	±	-
4 PLC	±	-
ANGLES	±	-

MATERIAL FINISH

THIS DRAWING IS A CONTROLLED DOCUMENT. DIN 4-23-90
H. MOLL

CHG R. STONE 11-28-90

APVD NAME

DIMENSIONS: mm [INCHES] TOLERANCES UNLESS OTHERWISE SPECIFIED:

0 PLC	±	-
1 PLC	±	-
2 PLC	±	0.13[.005]
3 PLC	±	-
4 PLC	±	-
ANGLES	±	-

MATERIAL FINISH

THIS DRAWING IS A CONTROLLED DOCUMENT. DIN 4-23-90
H. MOLL

CHG R. STONE 11-28-90

APVD NAME

DIMENSIONS: mm [INCHES] TOLERANCES UNLESS OTHERWISE SPECIFIED:

0 PLC	±	-
1 PLC	±	-
2 PLC	±	0.13[.005]
3 PLC	±	-
4 PLC	±	-
ANGLES	±	-

MATERIAL FINISH

THIS DRAWING IS A CONTROLLED DOCUMENT. DIN 4-23-90
H. MOLL

CHG R. STONE 11-28-90

APVD NAME

DIMENSIONS: mm [INCHES] TOLERANCES UNLESS OTHERWISE SPECIFIED:

0 PLC	±	-
1 PLC	±	-
2 PLC	±	0.13[.005]
3 PLC	±	-
4 PLC	±	-
ANGLES	±	-

MATERIAL FINISH

THIS DRAWING IS A CONTROLLED DOCUMENT. DIN 4-23-90
H. MOLL

CHG R. STONE 11-28-90

APVD NAME

DIMENSIONS: mm [INCHES] TOLERANCES UNLESS OTHERWISE SPECIFIED:

0 PLC	±	-
1 PLC	±	-
2 PLC	±	0.13[.005]
3 PLC	±	-
4 PLC	±	-
ANGLES	±	-

MATERIAL FINISH

THIS DRAWING IS A CONTROLLED DOCUMENT. DIN 4-23-90
H. MOLL

CHG R. STONE 11-28-90

APVD NAME

DIMENSIONS: mm [INCHES] TOLERANCES UNLESS OTHERWISE SPECIFIED:

0 PLC	±	-
1 PLC	±	-
2 PLC	±	0.13[.005]
3 PLC	±	-
4 PLC	±	-
ANGLES	±	-

MATERIAL FINISH

THIS DRAWING IS A CONTROLLED DOCUMENT. DIN 4-23-90
H. MOLL

CHG R. STONE 11-28-90

APVD NAME

DIMENSIONS: mm [INCHES] TOLERANCES UNLESS OTHERWISE SPECIFIED:

0 PLC	±	-
1 PLC	±	-
2 PLC	±	0.13[.005]
3 PLC	±	-
4 PLC	±	-
ANGLES	±	-

MATERIAL FINISH

THIS DRAWING IS A CONTROLLED DOCUMENT. DIN 4-23-90
H. MOLL

CHG R. STONE 11-28-90

APVD NAME

DIMENSIONS: mm [INCHES] TOLERANCES UNLESS OTHERWISE SPECIFIED:

0 PLC	±	-
1 PLC	±	-
2 PLC	±	0.13[.005]
3 PLC	±	-
4 PLC	±	-
ANGLES	±	-

MATERIAL FINISH

THIS DRAWING IS A CONTROLLED DOCUMENT. DIN 4-23-90
H. MOLL

CHG R. STONE 11-28-90

APVD NAME

DIMENSIONS: mm [INCHES] TOLERANCES UNLESS OTHERWISE SPECIFIED:

0 PLC	±	-
1 PLC	±	-
2 PLC	±	0.13[.005]
3 PLC	±	-
4 PLC	±	-
ANGLES	±	-

MATERIAL FINISH

THIS DRAWING IS A CONTROLLED DOCUMENT. DIN 4-23-90
H. MOLL

CHG R. STONE 11-28-90

APVD NAME

DIMENSIONS: mm [INCHES] TOLERANCES UNLESS OTHERWISE SPECIFIED:

0 PLC	±	-
1 PLC	±	-
2 PLC	±	0.13[.005]
3 PLC	±	-
4 PLC	±	-
ANGLES	±	-

MATERIAL FINISH

THIS DRAWING IS A CONTROLLED DOCUMENT. DIN 4-23-90
H. MOLL

CHG R. STONE 11-28-90

APVD NAME

DIMENSIONS: mm [INCHES] TOLERANCES UNLESS OTHERWISE SPECIFIED:

0 PLC	±	-
1 PLC	±	-
2 PLC	±	0.13[.005]
3 PLC	±	-
4 PLC	±	-
ANGLES	±	-

MATERIAL FINISH

THIS DRAWING IS A CONTROLLED DOCUMENT. DIN 4-23-90
H. MOLL

CHG R. STONE 11-28-90

APVD NAME

DIMENSIONS: mm [INCHES] TOLERANCES UNLESS OTHERWISE SPECIFIED:

0 PLC	±	-
1 PLC	±	-
2 PLC	±	0.13[.005]
3 PLC	±	-
4 PLC	±	-
ANGLES	±	-

MATERIAL FINISH

THIS DRAWING IS A CONTROLLED DOCUMENT. DIN 4-23-90
H. MOLL

CHG R. STONE 11-28-90

APVD NAME

DIMENSIONS: mm [INCHES] TOLERANCES UNLESS OTHERWISE SPECIFIED:

0 PLC	±	-
1 PLC	±	-
2 PLC	±	0.13[.005]
3 PLC	±	-
4 PLC	±	-
ANGLES	±	-

MATERIAL FINISH

THIS DRAWING IS A CONTROLLED DOCUMENT. DIN 4-23-90
H. MOLL

CHG R. STONE 11-28-90

APVD NAME

DIMENSIONS: mm [INCHES] TOLERANCES UNLESS OTHERWISE SPECIFIED:

0 PLC	±	-
1 PLC	±	-
2 PLC	±	0.13[.005]
3 PLC	±	-
4 PLC	±	-
ANGLES	±	-

MATERIAL FINISH

THIS DRAWING IS A CONTROLLED DOCUMENT. DIN 4-23-90
H. MOLL

CHG R. STONE 11-28-90

APVD NAME

DIMENSIONS: mm [INCHES] TOLERANCES UNLESS OTHERWISE SPECIFIED:

0 PLC	±	-
1 PLC	±	-
2 PLC	±	0.13[.005]
3 PLC	±	-
4 PLC	±	-
ANGLES	±	-

MATERIAL FINISH

THIS DRAWING IS A CONTROLLED DOCUMENT. DIN 4-23-90
H. MOLL

CHG R. STONE 11-28-90

APVD NAME

DIMENSIONS: mm [INCHES] TOLERANCES UNLESS OTHERWISE SPECIFIED:

0 PLC	±	-
1 PLC	±	-
2 PLC	±	0.13[.005]
3 PLC	±	-
4 PLC	±	-
ANGLES	±	-

MATERIAL FINISH

THIS DRAWING IS A CONTROLLED DOCUMENT. DIN 4-23-90
H. MOLL

CHG R. STONE 11-28-90

APVD NAME

DIMENSIONS: mm [INCHES] TOLERANCES UNLESS OTHERWISE SPECIFIED:

0 PLC	±	-
1 PLC	±	-
2 PLC	±	0.13[.005]
3 PLC	±	-
4 PLC	±	-
ANGLES	±	-

MATERIAL FINISH

THIS DRAWING IS A CONTROLLED DOCUMENT. DIN 4-23-90
H. MOLL

CHG R. STONE 11-28-90

APVD NAME

DIMENSIONS: mm [INCHES] TOLERANCES UNLESS OTHERWISE SPECIFIED:

0 PLC	±	-
1 PLC	±	-
2 PLC	±	0.13[.005]
3 PLC	±	-
4 PLC	±	-
ANGLES	±	-

MATERIAL FINISH

THIS DRAWING IS A CONTROLLED DOCUMENT. DIN 4-23-90
H. MOLL

CHG R. STONE 11-28-90

APVD NAME

DIMENSIONS: mm [INCHES] TOLERANCES UNLESS OTHERWISE SPECIFIED:

0 PLC	±	-
1 PLC	±	-
2 PLC	±	0.13[.005]
3 PLC	±	-
4 PLC	±	-
ANGLES	±	-

MATERIAL FINISH

THIS DRAWING IS A CONTROLLED DOCUMENT. DIN 4-23-90
H. MOLL

CHG R. STONE 11-28-90

APVD NAME

DIMENSIONS: mm [INCHES] TOLERANCES UNLESS OTHERWISE SPECIFIED:

0 PLC	±	-
1 PLC	±	-
2 PLC	±	0.13[.005]
3 PLC	±	-
4 PLC	±	-
ANGLES	±	-

MATERIAL FINISH

THIS DRAWING IS A CONTROLLED DOCUMENT. DIN 4-23-90
H. MOLL

CHG R. STONE 11-28-90

APVD NAME

DIMENSIONS: mm [INCHES] TOLERANCES UNLESS OTHERWISE SPECIFIED:

0 PLC	±	-
1 PLC	±	-
2 PLC	±	0.13[.005]
3 PLC	±	-
4 PLC	±	-
ANGLES	±	-



Компания «ЭлектроПласт» предлагает заключение долгосрочных отношений при поставках импортных электронных компонентов на взаимовыгодных условиях!

Наши преимущества:

- Оперативные поставки широкого спектра электронных компонентов отечественного и импортного производства напрямую от производителей и с крупнейших мировых складов;
- Поставка более 17-ти миллионов наименований электронных компонентов;
- Поставка сложных, дефицитных, либо снятых с производства позиций;
- Оперативные сроки поставки под заказ (от 5 рабочих дней);
- Экспресс доставка в любую точку России;
- Техническая поддержка проекта, помощь в подборе аналогов, поставка прототипов;
- Система менеджмента качества сертифицирована по Международному стандарту ISO 9001;
- Лицензия ФСБ на осуществление работ с использованием сведений, составляющих государственную тайну;
- Поставка специализированных компонентов (Xilinx, Altera, Analog Devices, Intersil, Interpoint, Microsemi, Aeroflex, Peregrine, Syfer, Eurofarad, Texas Instrument, Miteq, Cobham, E2V, MA-COM, Hittite, Mini-Circuits, General Dynamics и др.);

Помимо этого, одним из направлений компании «ЭлектроПласт» является направление «Источники питания». Мы предлагаем Вам помощь Конструкторского отдела:

- Подбор оптимального решения, техническое обоснование при выборе компонента;
- Подбор аналогов;
- Консультации по применению компонента;
- Поставка образцов и прототипов;
- Техническая поддержка проекта;
- Защита от снятия компонента с производства.



Как с нами связаться

Телефон: 8 (812) 309 58 32 (многоканальный)

Факс: 8 (812) 320-02-42

Электронная почта: org@eplast1.ru

Адрес: 198099, г. Санкт-Петербург, ул. Калинина, дом 2, корпус 4, литера А.