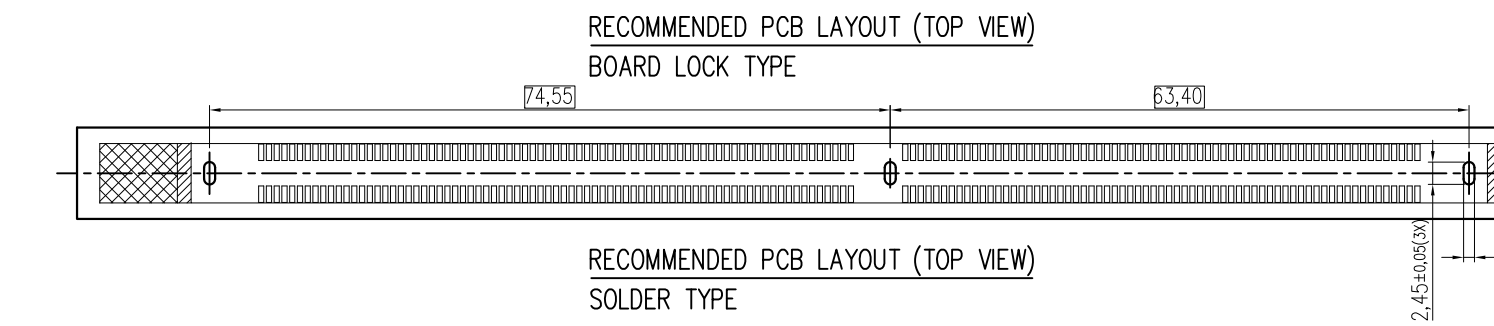
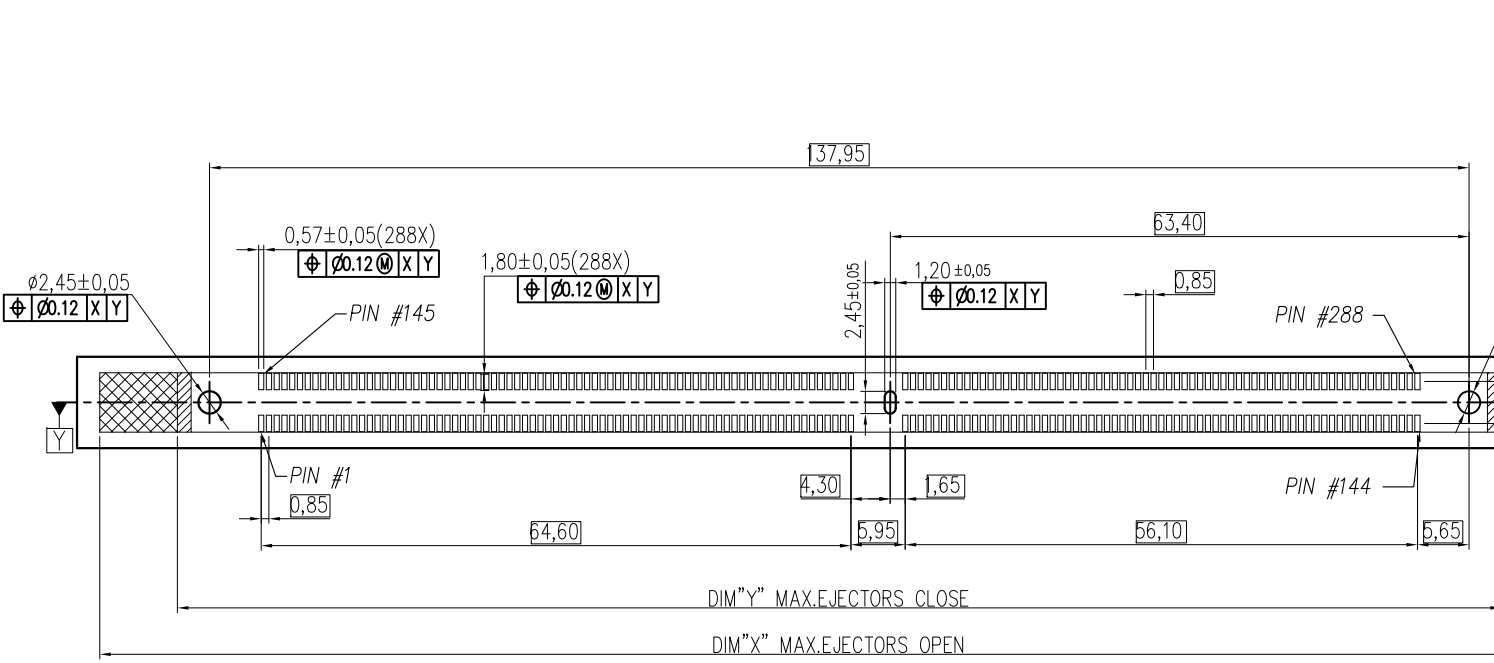
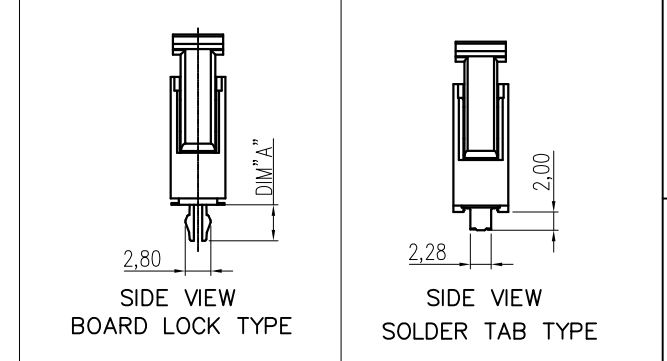
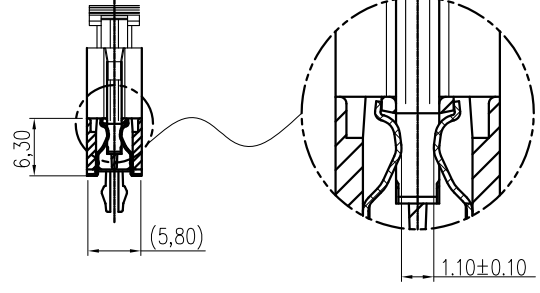
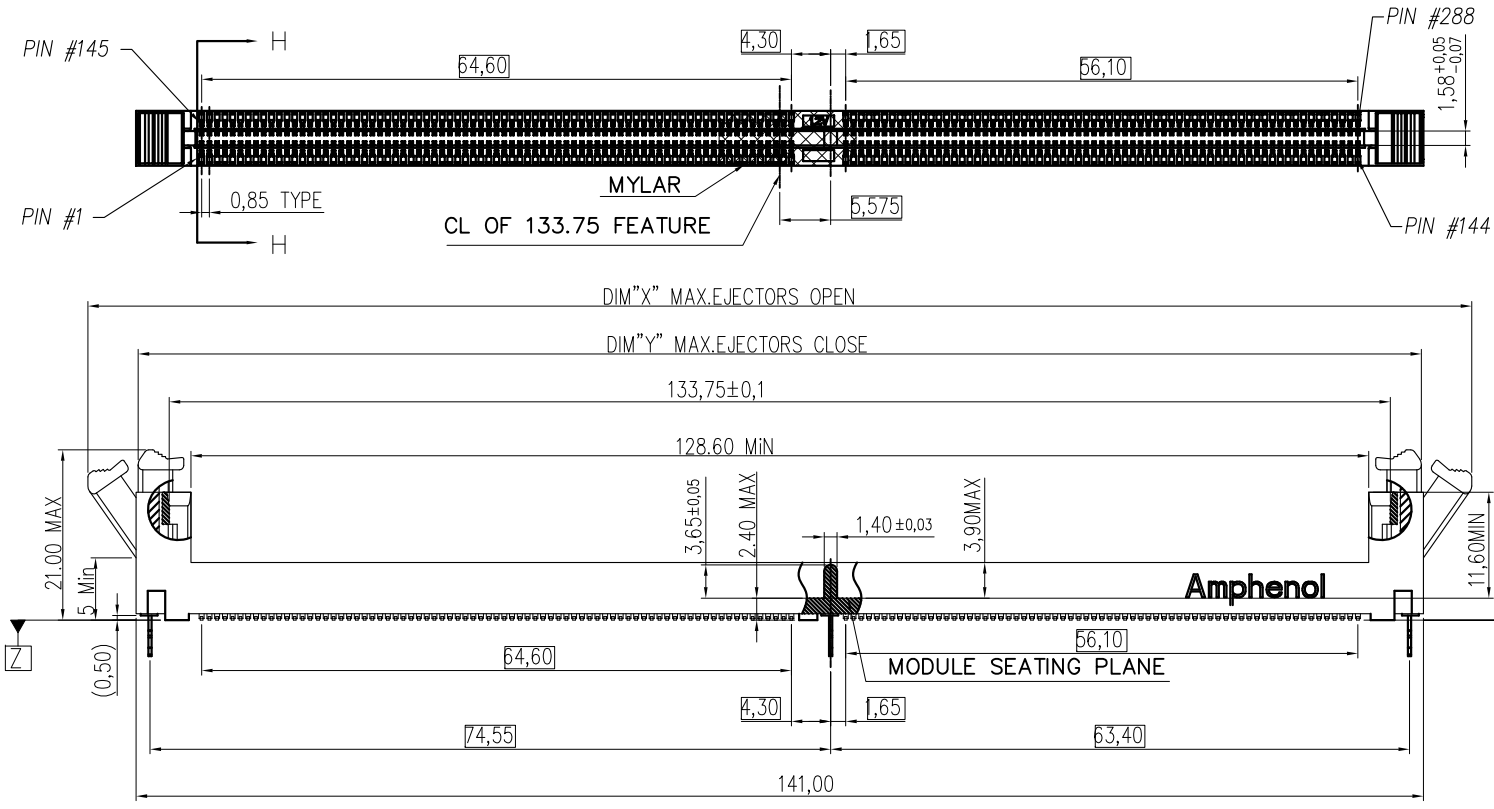


This document is the property of Amphenol Corporation and is delivered on the express condition that it is not to be disclosed, reproduced or used, in whole or in part, for manufacture or sale by anyone other than Amphenol Corporation without its prior consent, & that no right is granted to disclose or to use any information in this document.

PRO/E GENERATED DRAWING, DO NOT CHANGE BY HAND

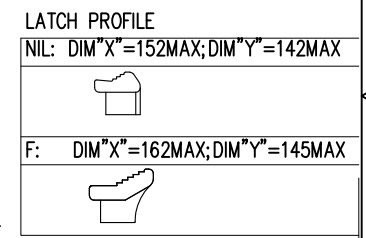
# CUSTOMER DRAWING

REVISIONS				
SYM	ECN	DESCRIPTION	DATE	APPROVED
1	HK--	FIRST RELEASE	7/8/14	IP
2	HK--	ADDED DIMENSIONS	8/27/14	IP
3	HK--	ADDED SOLDER TAB TYPE	9/19/14	IP
4	HK--	ADDED PACKING REQUIREMENT IN PAGE 3	12/3/14	IP
5	HK--	ADDED PACKING OPTIONS	12/10/14	IP
6	HK--	MODIFIED SECTION H AND ADDED LATCH PROFILE	02/09/15	IP
7	HK--	ADDED COLOR OPTIONS	03/12/15	IP



**NOTES:**

- MATERIAL:**  
HOUSING: HIGH TEMPERATURE THERMAL PLASTIC, OPTION, UL94V-0, COLOR: OPTION.  
LATCH: HIGH TEMPERATURE THERMAL PLASTIC, OPTION, UL94V-0, COLOR: OPTION.  
TERMINAL: COPPER ALLOY.  
BOARDLOCK: COPPER ALLOY.
- FINISH:**  
TERMINAL:  
CONTACT AREA: SELECTED GOLD PLATING;  
SOLDERING AREA: MATTE TIN PLATING 100 μ" THICKNESS MIN.;  
UNDER PLATING: NICKEL PLATING 50 μ" THICKNESS MIN. OVERALL  
BOARDLOCK:  
NICKEL PLATING 80 μ" THICKNESS MIN.;
- PACKING:** PKS-ZDDR4-001, MPQ: 480PCS
- THIS PRODUCT IS HALOGEN-FREE COMPLIANT PRODUCT.**
- ORDER PN SYSTEM:**  
DOUBLE DATA RATE 4 SERIES DDR4-288-S-XX-X-X-X-X  
NO. OF POSITIONS: 288 POS.  
VERTICAL SMT TYPE  
SEQUENCE NUMBER:  
01: 3 FORLOCK TYPE; DIM"A": 3.94MM; PCB THK: 1.57MM; WITH MYLAR  
02: 3 FORLOCK TYPE; DIM"A": 3.94MM; PCB THK: 1.57MM; WITHOUT MYLAR  
03: 3 FORLOCK TYPE; DIM"A": 4.60MM; PCB THK: 2.36MM; WITH MYLAR  
04: 3 FORLOCK TYPE; DIM"A": 4.60MM; PCB THK: 2.36MM; WITHOUT MYLAR  
05: 3 SOLDER TAB TYPE; WITH MYLAR  
06: 3 SOLDER TAB TYPE; WITHOUT MYLAR  
07: 2 S/TAB(TWO SIDE), 1 FL/TYPE(MIDDLE) DIM"A" 3.94MM WITH MYLAR  
08: 2 S/TAB(TWO SIDE), 1 FL/TYPE(MIDDLE) DIM"A" 3.94MM WITHOUT MYLAR  
  
HOUSING/LATCH COLOR  
1: NYLON, BLACK/ NYLON, BLACK  
2: NYLON, BLACK/ NYLON, NATURAL(IVORY)  
3: NYLON, NATURAL(IVORY)/ NYLON, BLACK  
4: NYLON, NATURAL(IVORY)/ NYLON, NATURAL(IVORY)  
5: NYLON, BLUE/ NYLON, NATURAL(IVORY)  
6: NYLON, GREEN/ NYLON, NATURAL(IVORY)  
7: NYLON, BLUE/ NYLON, BLUE  
8: NYLON, BLACK/NYLON, BLUE



**LATCH OPTION/REMARK:**  
NIL: DIM"X"=152MAX; DIM"Y"=142MAX  
F: DIM"X"=162MAX; DIM"Y"=145MAX

**PACKAGE CODE:**  
T: TRAY  
H: HARD TRAY

**CONTACT PLATED**  
0: GOLD FLASH  
1: 15 μ" GOLD  
2: 20 μ" GOLD  
3: 30 μ" GOLD  
4: 3 μ" GOLD OVER 12 μ" PdNi  
5: 3 μ" GOLD OVER 27 μ" PdNi



UNLESS OTHERWISE SPECIFIED TOLERANCES		APPROVAL		DATE
U.S.	METRIC	DRAWN	Acon.Dai	03/12/15
0.0	+/-	CHECKED	Dam.he	03/12/15
0.00	+/-	CHECKED		
0.000	+/-			
FRACTIONS +/-				
ANGLES +/-	1°			
FOR MATERIALS AND FINISHES SEE NOTES		DRAWING FILE : \DRAWING\DDR4\DDR4288S00000X-7		
REMOVE SHARP EDGES		ANGLE OF PROJECTION		
DIMENSIONS				
U.S.	INCHES			
(METRIC)	(MM)			

**Amphenol**  
Amphenol East Asia Limited

**TITLE** Customer drawing For DDR4 Series, 288 pos., 0.85 pitch Vertical SMT Type

SIZE	DRAWING NO.	REV.
A3	DDR4-288-S-XX-XX-X-X	7
SCALE	N/A	SHEET 1 OF 3

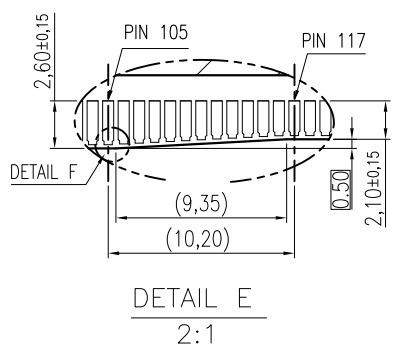
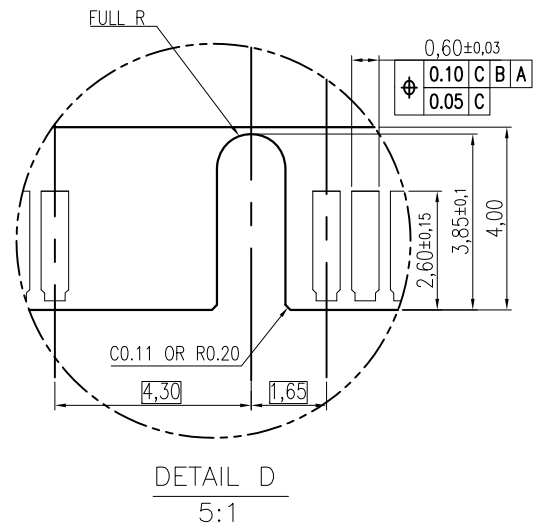
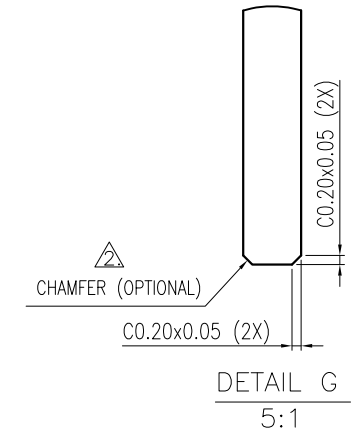
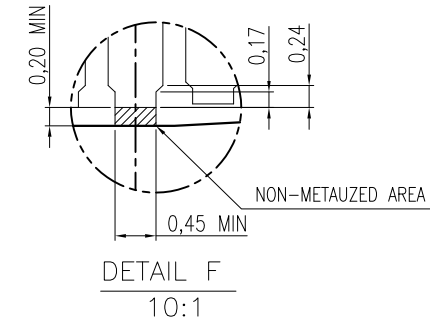
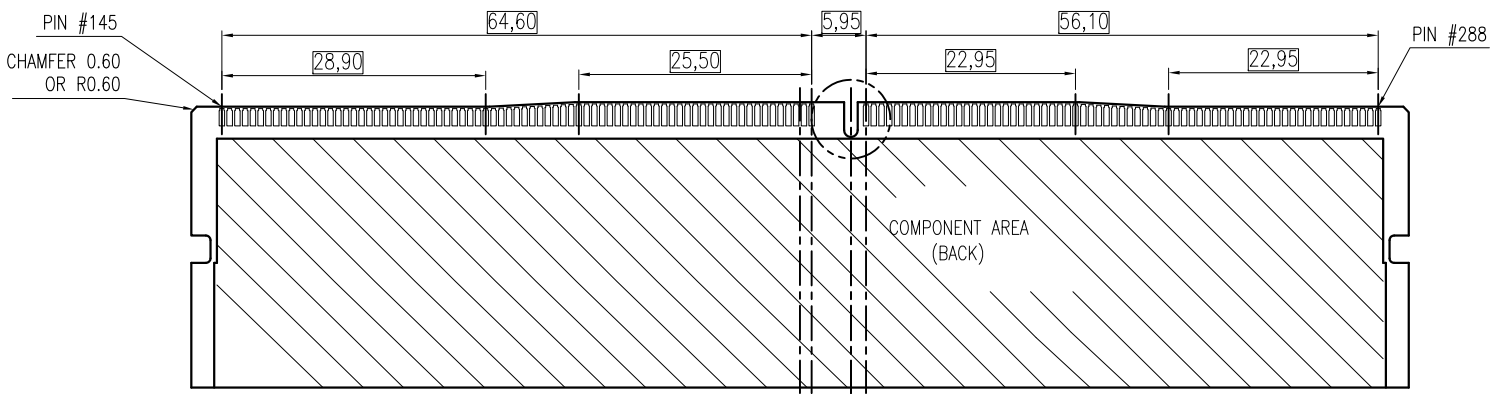
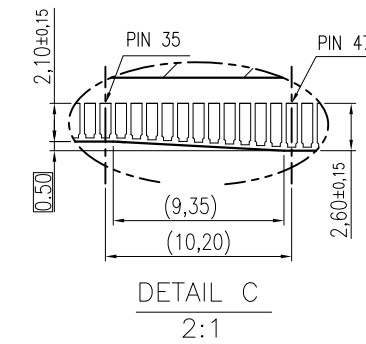
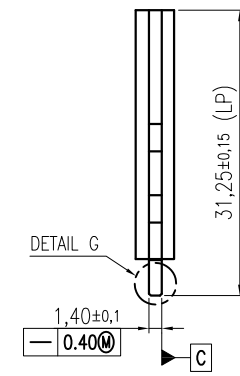
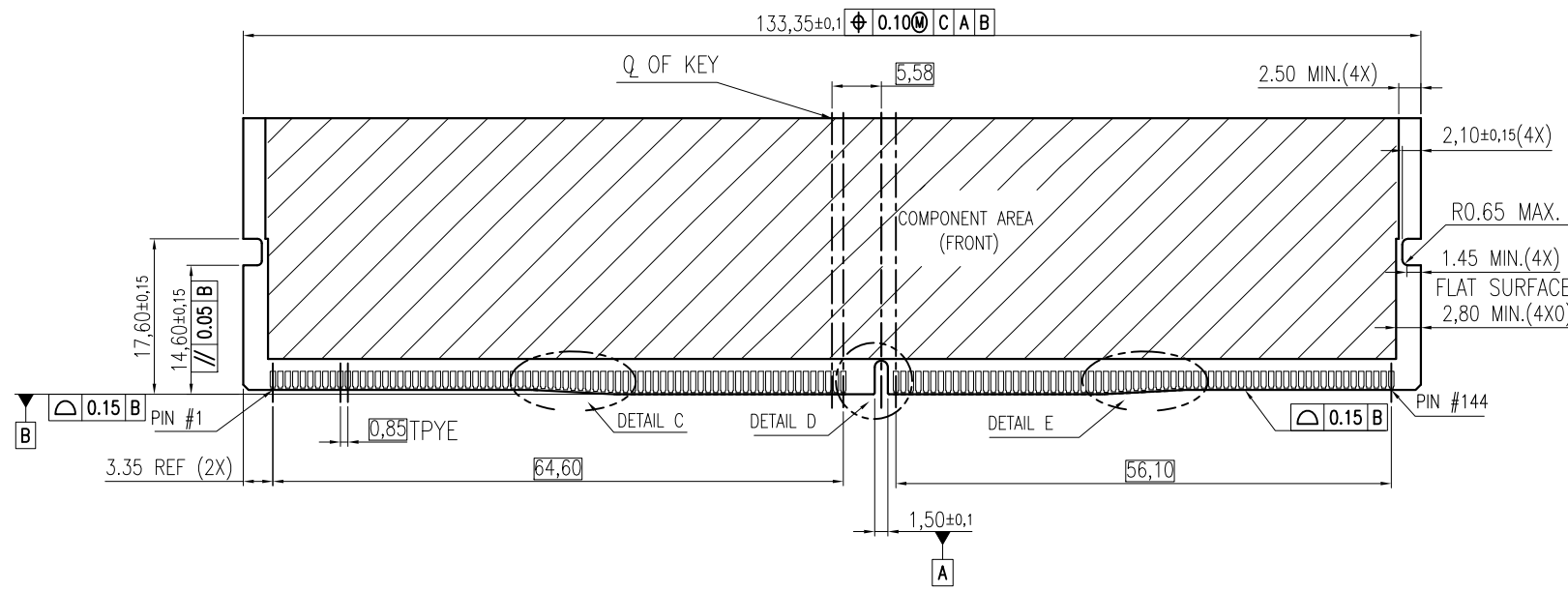
This document is the property of Amphenol Corporation and is delivered on the express condition that it is not to be disclosed, reproduced or used, in whole or in part, for manufacture or sale by anyone other than Amphenol Corporation without its prior consent, & that no right is granted to disclose or to use any information in this document.

# CUSTOMER DRAWING

PRO/E GENERATED DRAWING, DO NOT CHANGE BY HAND

REVISIONS				
SYM	ECN	DESCRIPTION	DATE	APPROVED
SEE SHEET 1				

- NOTES:
- RECOMMENDED PLATING FOR CONTACT PADS:  
 PREFERRED: 0.76 MICROMETERS GOLD PLATING MIN.  
 OVER 2.00 MICROMETERS NICKEL.  
 ALTERNATIVE: 0.05~0.75 MICROMETERS GOLD PLATING  
 OVER 2.00 MICROMETERS NICKEL MUST USE AN ELECTRONIC  
 CONTACT GRADE CORROSIVE BARRIER LUBRICANT.
- △ CHAMFER IS OPTIONAL AND IS NOT TO HIT GOLD PADS.



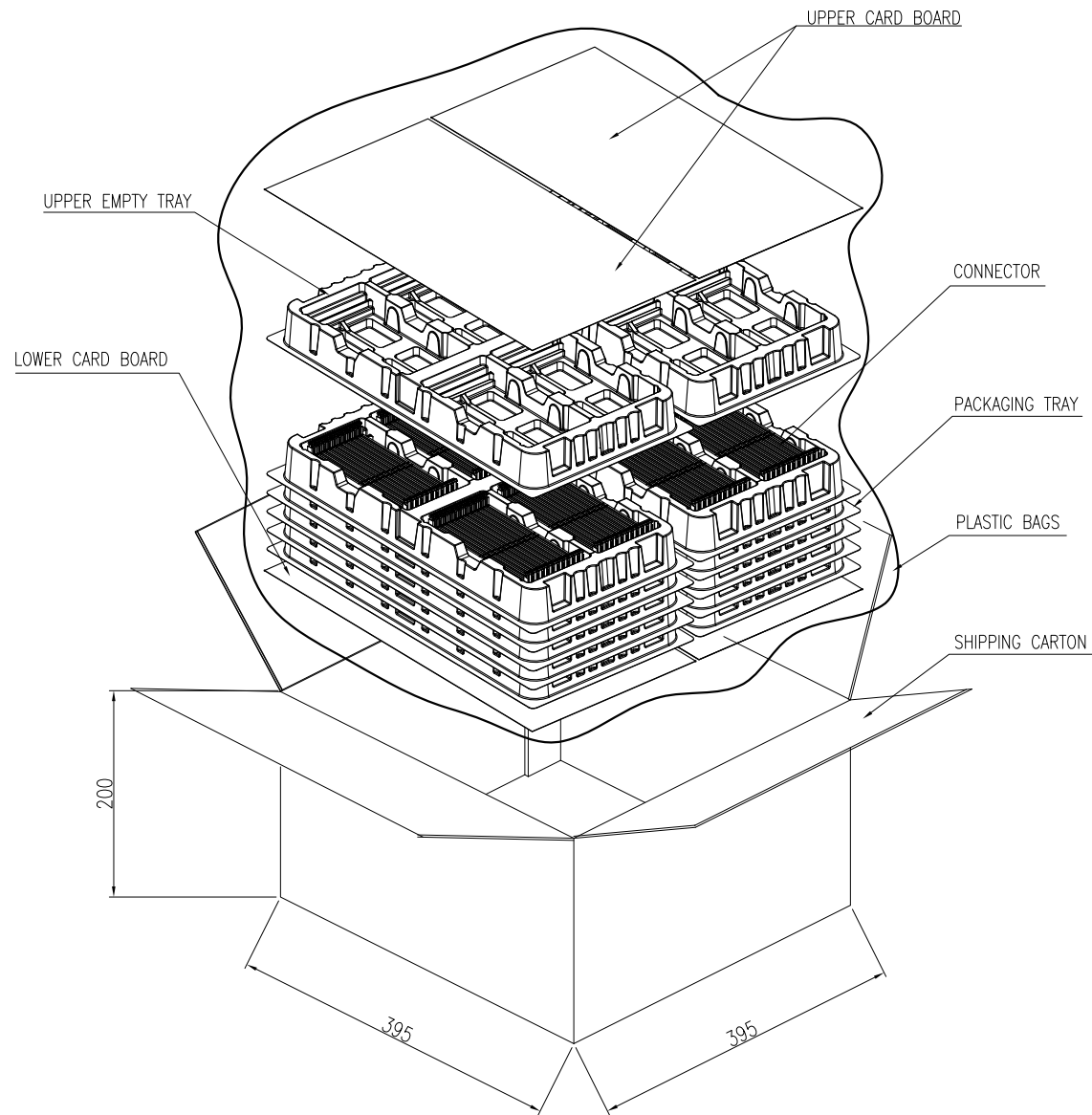
UNLESS OTHERWISE SPECIFIED TOLERANCES	U.S.	METRIC	APPROVAL	DATE	<b>Amphenol</b> Amphenol East Asia Limited TITLE Customer drawing For DDR4 Series, 288 pos., 0.85 pitch Vertical SMT Type
	0.0 +/-	0.30	DRAWN Acon.Dal	03/12/15	
	0.00 +/-	0.20	CHECKED Dam.he	03/12/15	
	0.000 +/-	0.10	CHECKED		
FOR MATERIALS AND FINISHES SEE NOTES	FRACTIONS +/-	1"	DRAWING FILE :		
	ANGLES +/-		REMOVE SHARP EDGES	ANGLE OF PROJECTION	
	DIMENSIONS				
	U.S.	INCHES			
	(METRIC)	(MM)			
	SIZE	DRAWING NO.	REV.		
	A3	DDR4-288-S-XX-XX-T-X	7		
	SCALE	N/A	SHEET	2 OF 3	

This document is the property of Amphenol Corporation and is delivered on the express condition that it is not to be disclosed, reproduced or used, in whole or in part, for manufacture or sale by anyone other than Amphenol Corporation without its prior consent, & that no right is granted to disclose or to use any information in this document.

PRO/E GENERATED DRAWING,DO NOT CHANGE BY HAND

# CUSTOMER DRAWING

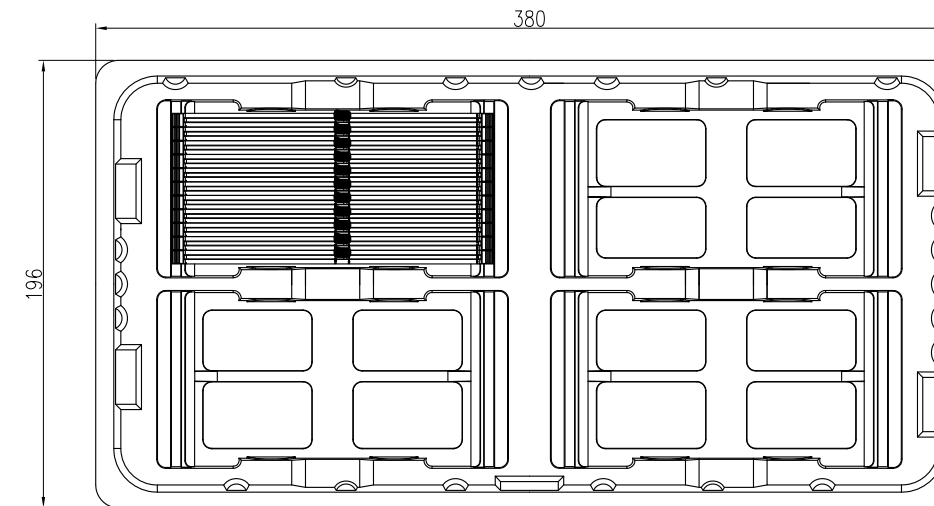
REVISIONS					
SYM	ECN	DESCRIPTION	DATE	APPROVED	
SEE SHEET 1					



**NOTES:**

1. IN THE 14 PLASTIC TRAYS ,THE TWO TOP PLASTIC TRAYS ARE TO COVER THE CONNECTORS ,THE OTHERS ARE FILLED WITH CONNECTORS.

TOTEL TRAY PER CARTON	QT'Y/TRAY	QT'Y/SHIPPING CARTON	PLASTIC BAGS QT'Y /SHIPPING CARTON	G.W.	N.W.
14	40	480	1	5.2 KGf	3.2 KGf



UNLESS OTHERWISE SPECIFIED TOLERANCES		APPROVAL		DATE	<b>Amphenol</b> Amphenol East Asia Limited TITLE Customer drawing For DDR4 Series, 288 pos.,0.85 pitch Vertical SMT Type
	U.S. METRIC	DRAWN	Acon.Dal	03/12/15	
0.0 +/- 0.30		CHECKED	Dam.he	03/12/15	
0.00 +/- 0.20		CHECKED			
0.000 +/- 0.10					
FRACTIONS +/- 1"		DRAWING FILE :			
ANGLES +/-		\\DRAWING\DDR4\DDR4288S000000-7			
FOR MATERIALS AND FINISHES SEE NOTES		ANGLE OF PROJECTION			
REMOVE SHARP EDGES					
DIMENSIONS					
U.S. INCHES		SIZE DRAWING NO.			REV.
(METRIC) (MM)		A3 DDR4-288-S-XX-XX-X-X			7
		SCALE N/A			SHEET 3 OF 3



Компания «ЭлектроПласт» предлагает заключение долгосрочных отношений при поставках импортных электронных компонентов на взаимовыгодных условиях!

Наши преимущества:

- Оперативные поставки широкого спектра электронных компонентов отечественного и импортного производства напрямую от производителей и с крупнейших мировых складов;
- Поставка более 17-ти миллионов наименований электронных компонентов;
- Поставка сложных, дефицитных, либо снятых с производства позиций;
- Оперативные сроки поставки под заказ (от 5 рабочих дней);
- Экспресс доставка в любую точку России;
- Техническая поддержка проекта, помощь в подборе аналогов, поставка прототипов;
- Система менеджмента качества сертифицирована по Международному стандарту ISO 9001;
- Лицензия ФСБ на осуществление работ с использованием сведений, составляющих государственную тайну;
- Поставка специализированных компонентов (Xilinx, Altera, Analog Devices, Intersil, Interpoint, Microsemi, Aeroflex, Peregrine, Syfer, Eurofarad, Texas Instrument, Miteq, Cobham, E2V, MA-COM, Hittite, Mini-Circuits, General Dynamics и др.);

Помимо этого, одним из направлений компании «ЭлектроПласт» является направление «Источники питания». Мы предлагаем Вам помощь Конструкторского отдела:

- Подбор оптимального решения, техническое обоснование при выборе компонента;
- Подбор аналогов;
- Консультации по применению компонента;
- Поставка образцов и прототипов;
- Техническая поддержка проекта;
- Защита от снятия компонента с производства.



#### Как с нами связаться

**Телефон:** 8 (812) 309 58 32 (многоканальный)

**Факс:** 8 (812) 320-02-42

**Электронная почта:** [org@eplast1.ru](mailto:org@eplast1.ru)

**Адрес:** 198099, г. Санкт-Петербург, ул. Калинина, дом 2, корпус 4, литера А.