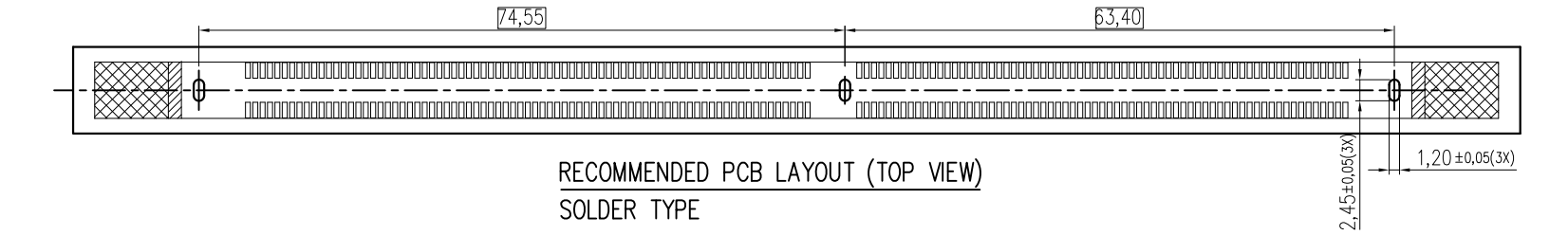
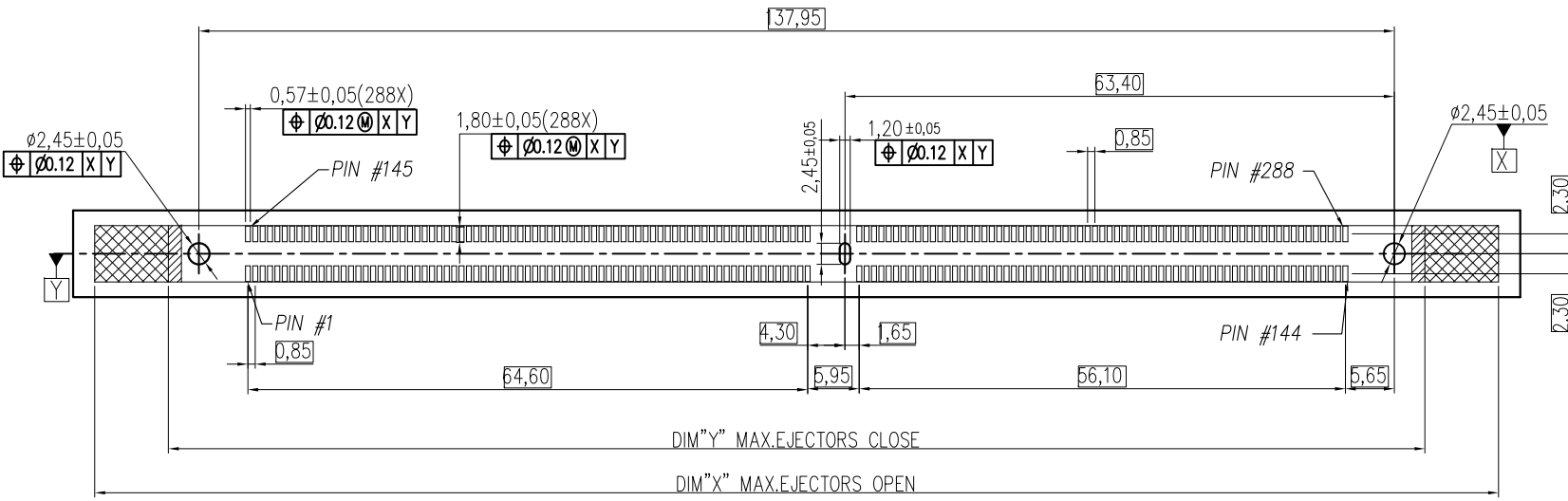
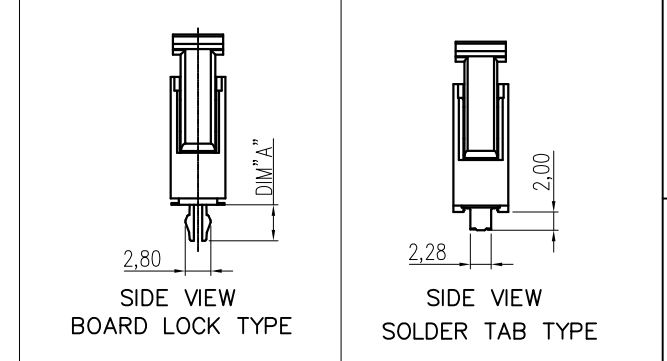
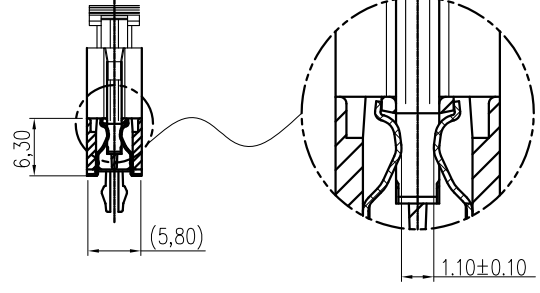
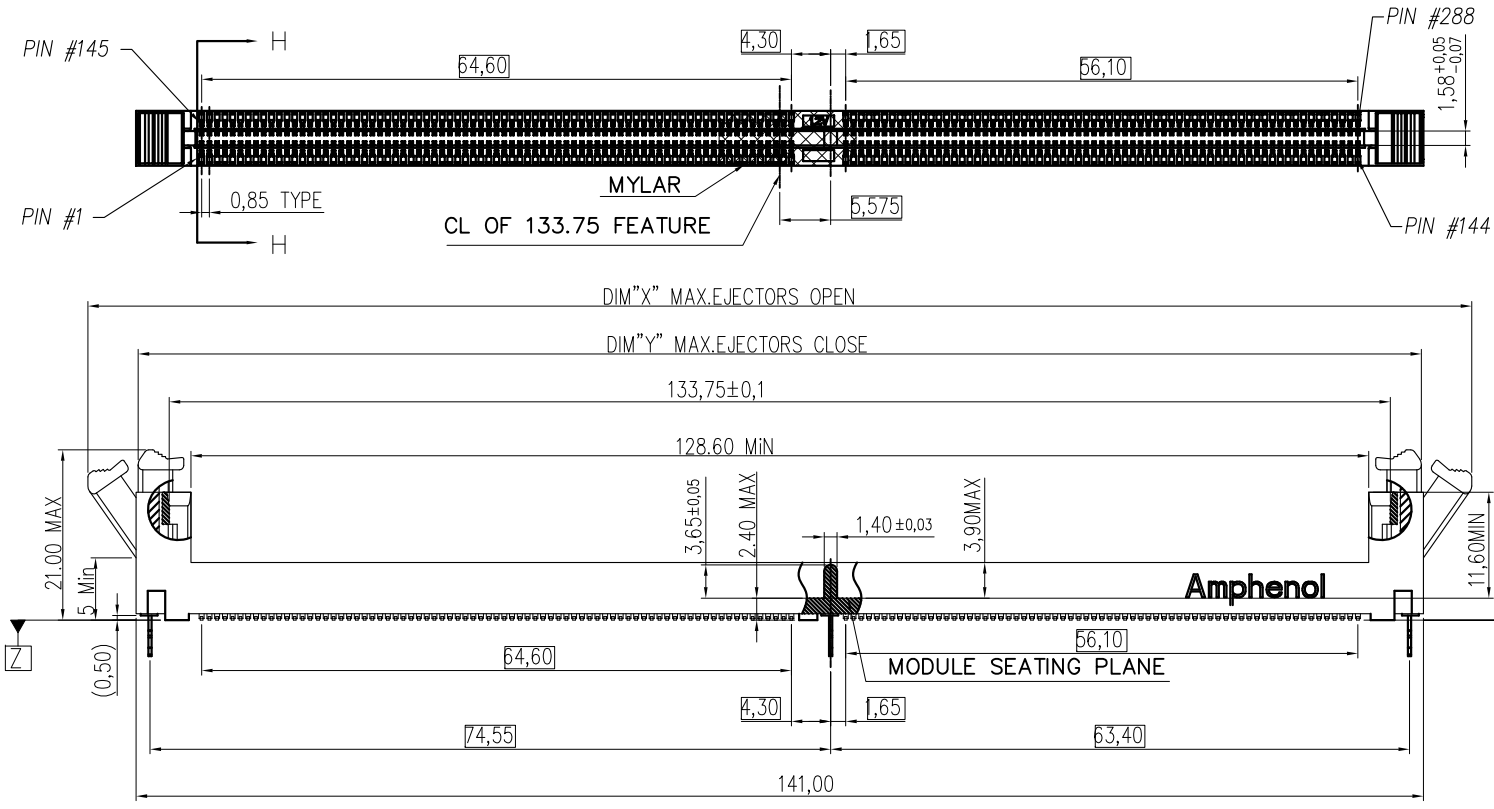


This document is the property of Amphenol Corporation and is delivered on the express condition that it is not to be disclosed, reproduced or used, in whole or in part, for manufacture or sale by anyone other than Amphenol Corporation without its prior consent, & that no right is granted to disclose or to use any information in this document.

PRO/E GENERATED DRAWING, DO NOT CHANGE BY HAND

CUSTOMER DRAWING

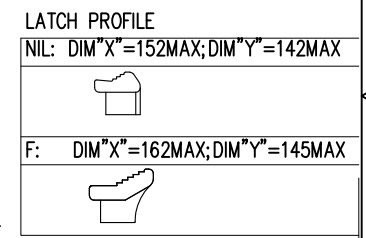
| REVISIONS | | | | |
|-----------|------|--|----------|----------|
| SYM | ECN | DESCRIPTION | DATE | APPROVED |
| 1 | HK-- | FIRST RELEASE | 7/8/14 | IP |
| 2 | HK-- | ADDED DIMENSIONS | 8/27/14 | IP |
| 3 | HK-- | ADDED SOLDER TAB TYPE | 9/19/14 | IP |
| 4 | HK-- | ADDED PACKING REQUIREMENT IN PAGE 3 | 12/3/14 | IP |
| 5 | HK-- | ADDED PACKING OPTIONS | 12/10/14 | IP |
| 6 | HK-- | MODIFIED SECTION H AND ADDED LATCH PROFILE | 02/09/15 | IP |
| 7 | HK-- | ADDED COLOR OPTIONS | 03/12/15 | IP |



NOTES:

- MATERIAL:**
HOUSING: HIGH TEMPERATURE THERMAL PLASTIC, OPTION, UL94V-0, COLOR: OPTION.
LATCH: HIGH TEMPERATURE THERMAL PLASTIC, OPTION, UL94V-0, COLOR: OPTION.
TERMINAL: COPPER ALLOY.
BOARDLOCK: COPPER ALLOY.
- FINISH:**
TERMINAL:
CONTACT AREA: SELECTED GOLD PLATING;
SOLDERING AREA: MATTE TIN PLATING 100 μ" THICKNESS MIN.;
UNDER PLATING: NICKEL PLATING 50 μ" THICKNESS MIN. OVERALL
BOARDLOCK:
NICKEL PLATING 80 μ" THICKNESS MIN.;
- PACKING:** PKS-ZDDR4-001, MPQ: 480PCS
- THIS PRODUCT IS HALOGEN-FREE COMPLIANT PRODUCT.**
- ORDER PN SYSTEM:**
DOUBLE DATA RATE 4 SERIES DDR4-288-S-XX-X-X-X-X
NO. OF POSITIONS: 288 POS.
VERTICAL SMT TYPE
SEQUENCE NUMBER:
01: 3 FORLOCK TYPE; DIM"A": 3.94MM; PCB THK: 1.57MM; WITH MYLAR
02: 3 FORLOCK TYPE; DIM"A": 3.94MM; PCB THK: 1.57MM; WITHOUT MYLAR
03: 3 FORLOCK TYPE; DIM"A": 4.60MM; PCB THK: 2.36MM; WITH MYLAR
04: 3 FORLOCK TYPE; DIM"A": 4.60MM; PCB THK: 2.36MM; WITHOUT MYLAR
05: 3 SOLDER TAB TYPE; WITH MYLAR
06: 3 SOLDER TAB TYPE; WITHOUT MYLAR
07: 2 S/TAB(TWO SIDE), 1 FL/TYPE(MIDDLE) DIM"A" 3.94MM WITH MYLAR
08: 2 S/TAB(TWO SIDE), 1 FL/TYPE(MIDDLE) DIM"A" 3.94MM WITHOUT MYLAR

HOUSING/LATCH COLOR
1: NYLON, BLACK/ NYLON, BLACK
2: NYLON, BLACK/ NYLON, NATURAL(IVORY)
3: NYLON, NATURAL(IVORY)/ NYLON, BLACK
4: NYLON, NATURAL(IVORY)/ NYLON, NATURAL(IVORY)
5: NYLON, BLUE/ NYLON, NATURAL(IVORY)
6: NYLON, GREEN/ NYLON, NATURAL(IVORY)
7: NYLON, BLUE/ NYLON, BLUE
8: NYLON, BLACK/NYLON, BLUE



LATCH OPTION/REMARK:
NIL: DIM"X"=152MAX; DIM"Y"=142MAX
F: DIM"X"=162MAX; DIM"Y"=145MAX

PACKAGE CODE:
T: TRAY
H: HARD TRAY

CONTACT PLATED
0: GOLD FLASH
1: 15 μ" GOLD
2: 20 μ" GOLD
3: 30 μ" GOLD
4: 3 μ" GOLD OVER 12 μ" PdNi
5: 3 μ" GOLD OVER 27 μ" PdNi



| | | | | | | | |
|---------------------------------------|----------|--------------------------------------|----------|--|--|---|--|
| UNLESS OTHERWISE SPECIFIED TOLERANCES | | APPROVAL | | DATE | | Amphenol Amphenol East Asia Limited | |
| U.S. METRIC | | DRAWN | Acon.Dai | 03/12/15 | | | |
| 0.0 | +/- 0.30 | CHECKED | Dem.he | 03/12/15 | | SIZE A3 DRAWING NO. DDR4-288-S-XX-XX-X-X REV. 7 | |
| 0.00 | +/- 0.20 | CHECKED | | DRAWING FILE: \\DRAWING\DDR4\DDR4288S00000X-7 | | | |
| 0.000 | +/- 0.10 | FOR MATERIALS AND FINISHES SEE NOTES | | ANGLE OF PROJECTION | | | |
| REMOVE SHARP EDGES | | DIMENSIONS | | U.S. INCHES | | | |
| DIMENSIONS | | U.S. INCHES | | (METRIC) (MM) | | | |

This document is the property of Amphenol Corporation and is delivered on the express condition that it is not to be disclosed, reproduced or used, in whole or in part, for manufacture or sale by anyone other than Amphenol Corporation without its prior consent, & that no right is granted to disclose or to use any information in this document.

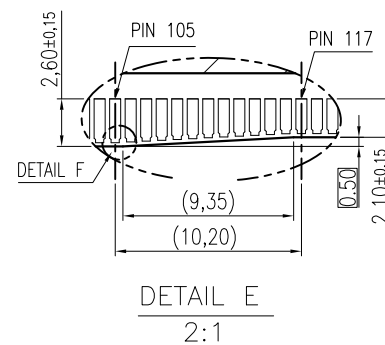
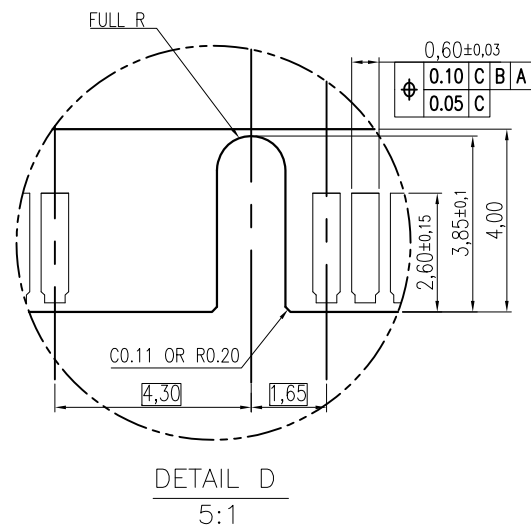
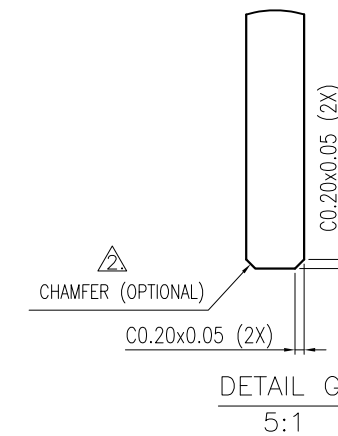
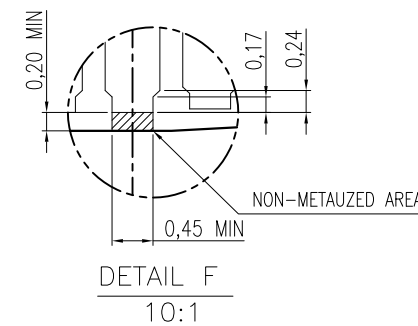
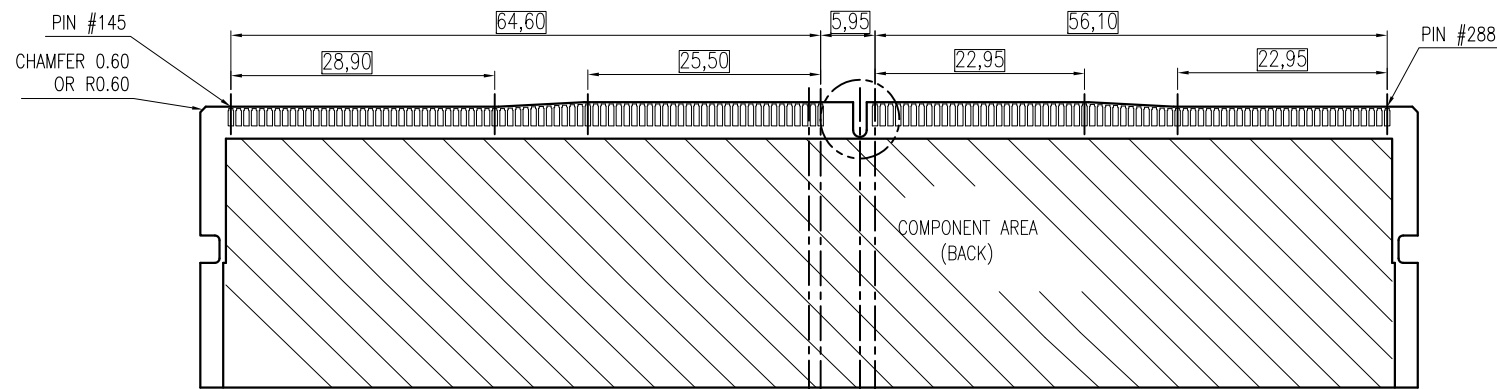
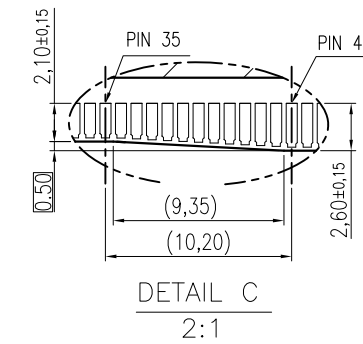
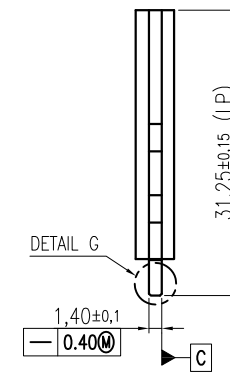
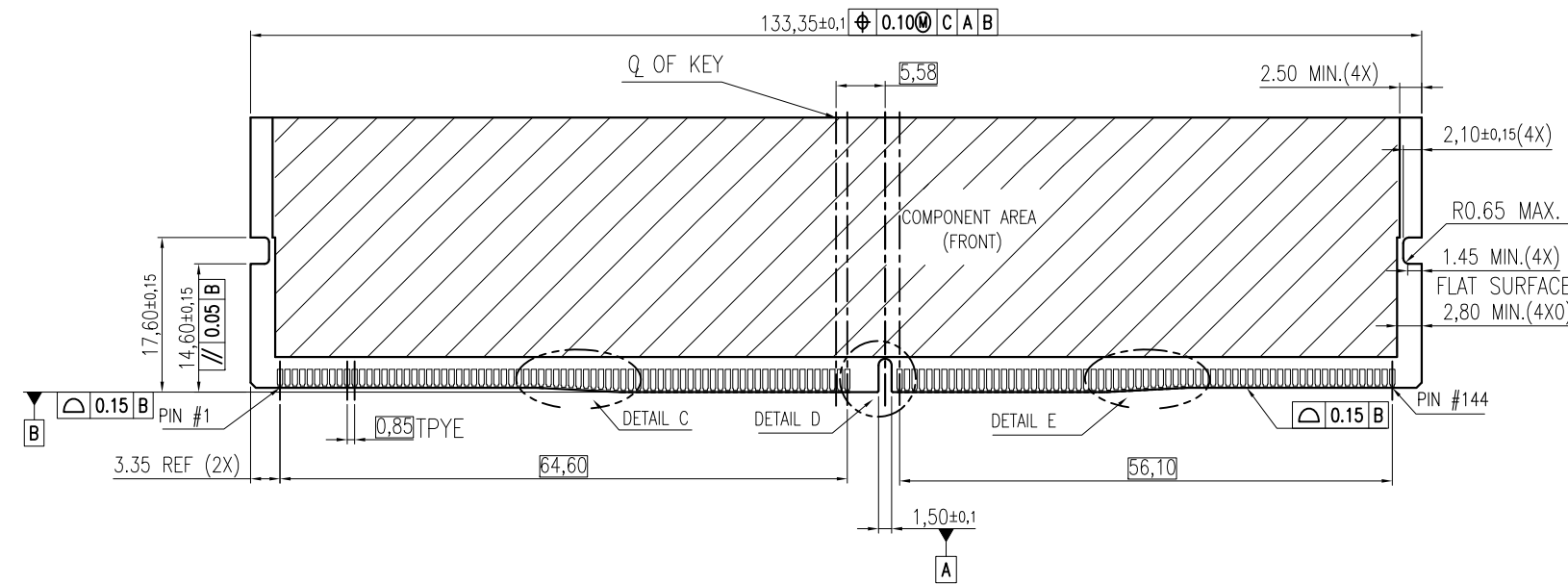
CUSTOMER DRAWING

PRO/E GENERATED DRAWING, DO NOT CHANGE BY HAND

| REVISIONS | | | | |
|-------------|-----|-------------|------|----------|
| SYM | ECN | DESCRIPTION | DATE | APPROVED |
| SEE SHEET 1 | | | | |

NOTES:

- RECOMMENDED PLATING FOR CONTACT PADS:
 PREFERRED: 0.76 MICROMETERS GOLD PLATING MIN.
 OVER 2.00 MICROMETERS NICKEL.
 ALTERNATIVE: 0.05~0.75 MICROMETERS GOLD PLATING
 OVER 2.00 MICROMETERS NICKEL MUST USE AN ELECTRONIC
 CONTACT GRADE CORROSIVE BARRIER LUBRICANT.
 △ CHAMFER IS OPTIONAL AND IS NOT TO HIT GOLD PADS.



| | | | | | |
|---------------------------------------|---------------|--------|----------------------------------|----------|--|
| UNLESS OTHERWISE SPECIFIED TOLERANCES | U.S. | METRIC | APPROVAL | DATE | Amphenol Amphenol East Asia Limited TITLE Customer drawing For DDR4 Series, 288 pos., 0.85 pitch Vertical SMT Type |
| | 0.0 +/- | 0.30 | DRAWN Acon.Dal | 03/12/15 | |
| | 0.00 +/- | 0.20 | CHECKED Dam.he | 03/12/15 | |
| | 0.000 +/- | 0.10 | CHECKED | | |
| FOR MATERIALS AND FINISHES SEE NOTES | FRACTIONS +/- | 1" | DRAWING FILE : | | |
| | ANGLES +/- | | \\DRAWING\DDR4\DDR4288S\000000-7 | | |
| REMOVE SHARP EDGES | DIMENSIONS | | ANGLE OF PROJECTION | | SIZE |
| | U.S. | INCHES | | | DRAWING NO. |
| | (METRIC) | (MM) | | | A3 |
| | | | SCALE | N/A | SHEET 2 OF 3 |

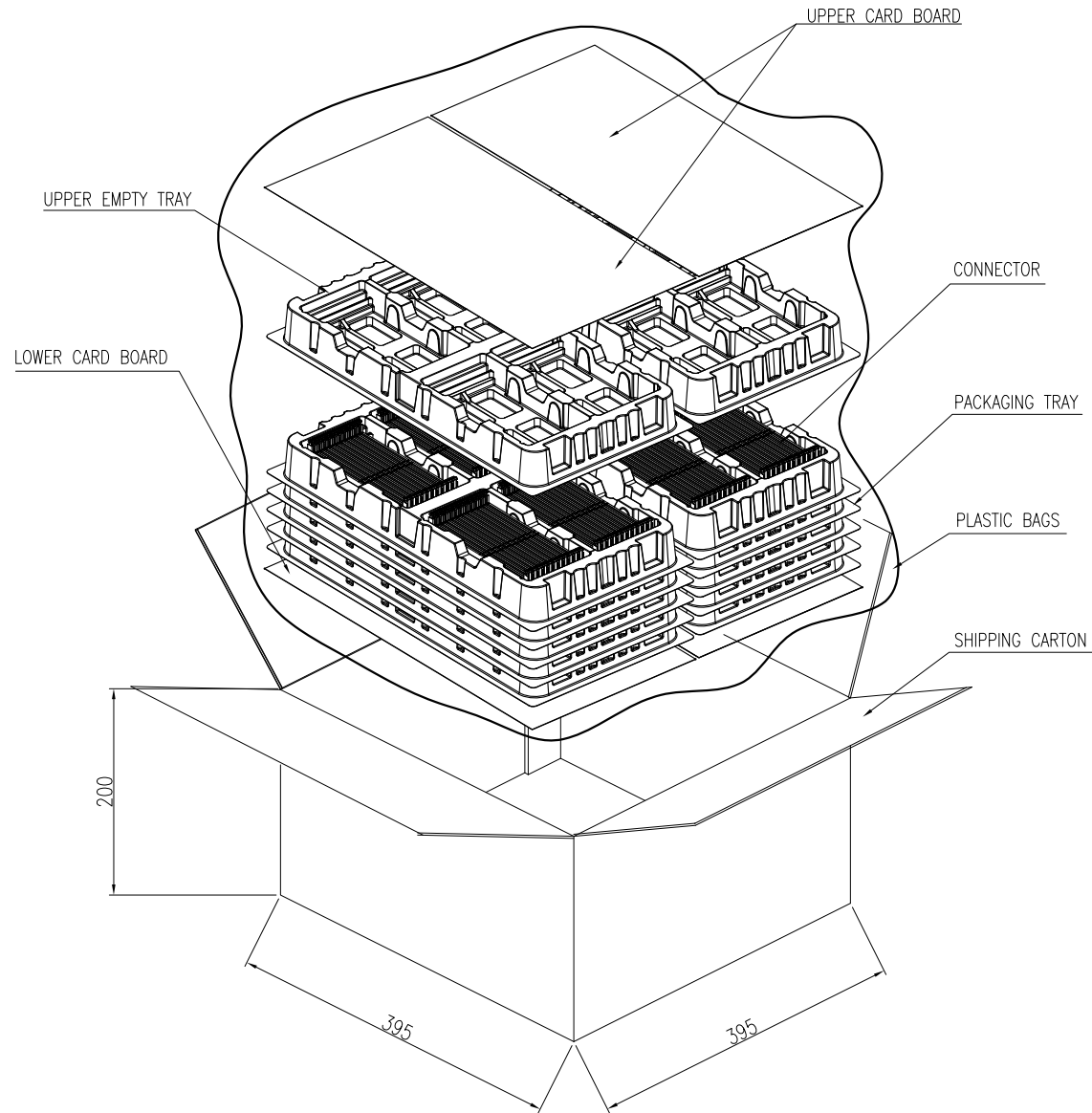


This document is the property of Amphenol Corporation and is delivered on the express condition that it is not to be disclosed, reproduced or used, in whole or in part, for manufacture or sale by anyone other than Amphenol Corporation without its prior consent, & that no right is granted to disclose or to use any information in this document.

PRO/E GENERATED DRAWING,DO NOT CHANGE BY HAND

CUSTOMER DRAWING

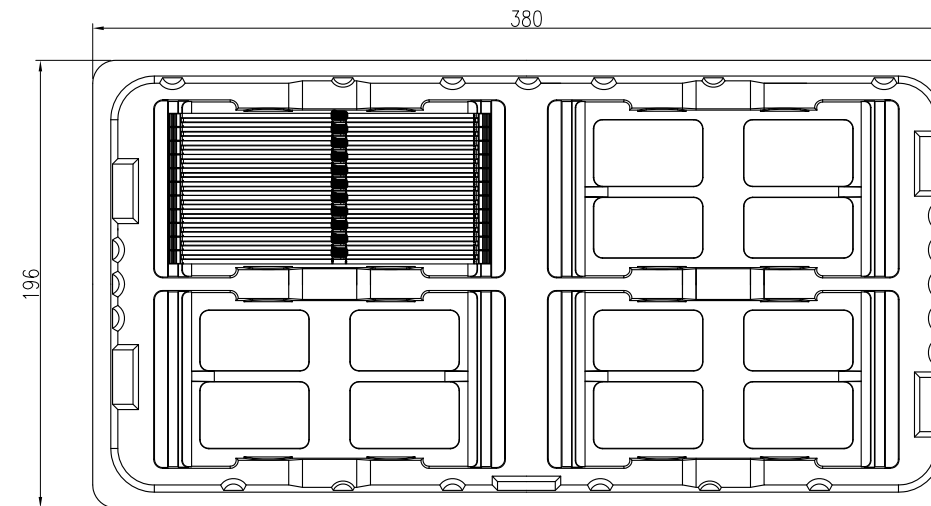
| REVISIONS | | | | | |
|-------------|-----|-------------|------|----------|--|
| SYM | ECN | DESCRIPTION | DATE | APPROVED | |
| SEE SHEET 1 | | | | | |



NOTES:

1. IN THE 14 PLASTIC TRAYS ,THE TWO TOP PLASTIC TRAYS ARE TO COVER THE CONNECTORS ,THE OTHERS ARE FILLED WITH CONNECTORS.

| TOTEL TRAY PER CARTON | QT'Y/TRAY | QT'Y/SHIPPING CARTON | PLASTIC BAGS QT'Y /SHIPPING CARTON | G.W. | N.W. |
|-----------------------|-----------|----------------------|------------------------------------|---------|---------|
| 14 | 40 | 480 | 1 | 5.2 KGf | 3.2 KGf |



| | | | | | |
|---------------------------------------|-------------|----------|----------|----------|---|
| UNLESS OTHERWISE SPECIFIED TOLERANCES | | APPROVAL | | DATE | Amphenol Amphenol East Asia Limited TITLE Customer drawing For DDR4 Series, 288 pos.,0.85 pitch Vertical SMT Type |
| | U.S. METRIC | DRAWN | Acon.Dal | 03/12/15 | |
| 0.0 +/- 0.30 | | CHECKED | Dam.he | 03/12/15 | |
| 0.00 +/- 0.20 | | CHECKED | | | DRAWING FILE : \\DRAWING\DDR4\DDR4288S000000-7 |
| 0.000 +/- 0.10 | | | | | ANGLE OF PROJECTION |
| FRACTIONS +/- 1" | | | | | |
| ANGLES +/- | | | | | SIZE DRAWING NO. REV. A3 DDR4-288-S-XX-XX-X-X 7 |
| FOR MATERIALS AND FINISHES SEE NOTES | | | | | SCALE N/A SHEET 3 OF 3 |
| REMOVE SHARP EDGES | | | | | |
| DIMENSIONS | | | | | |
| U.S. INCHES | | | | | |
| (METRIC) | (MM) | | | | |



Компания «ЭлектроПласт» предлагает заключение долгосрочных отношений при поставках импортных электронных компонентов на взаимовыгодных условиях!

Наши преимущества:

- Оперативные поставки широкого спектра электронных компонентов отечественного и импортного производства напрямую от производителей и с крупнейших мировых складов;
- Поставка более 17-ти миллионов наименований электронных компонентов;
- Поставка сложных, дефицитных, либо снятых с производства позиций;
- Оперативные сроки поставки под заказ (от 5 рабочих дней);
- Экспресс доставка в любую точку России;
- Техническая поддержка проекта, помощь в подборе аналогов, поставка прототипов;
- Система менеджмента качества сертифицирована по Международному стандарту ISO 9001;
- Лицензия ФСБ на осуществление работ с использованием сведений, составляющих государственную тайну;
- Поставка специализированных компонентов (Xilinx, Altera, Analog Devices, Intersil, Interpoint, Microsemi, Aeroflex, Peregrine, Syfer, Eurofarad, Texas Instrument, Miteq, Cobham, E2V, MA-COM, Hittite, Mini-Circuits, General Dynamics и др.);

Помимо этого, одним из направлений компании «ЭлектроПласт» является направление «Источники питания». Мы предлагаем Вам помощь Конструкторского отдела:

- Подбор оптимального решения, техническое обоснование при выборе компонента;
- Подбор аналогов;
- Консультации по применению компонента;
- Поставка образцов и прототипов;
- Техническая поддержка проекта;
- Защита от снятия компонента с производства.



Как с нами связаться

Телефон: 8 (812) 309 58 32 (многоканальный)

Факс: 8 (812) 320-02-42

Электронная почта: org@eplast1.ru

Адрес: 198099, г. Санкт-Петербург, ул. Калинина, дом 2, корпус 4, литера А.