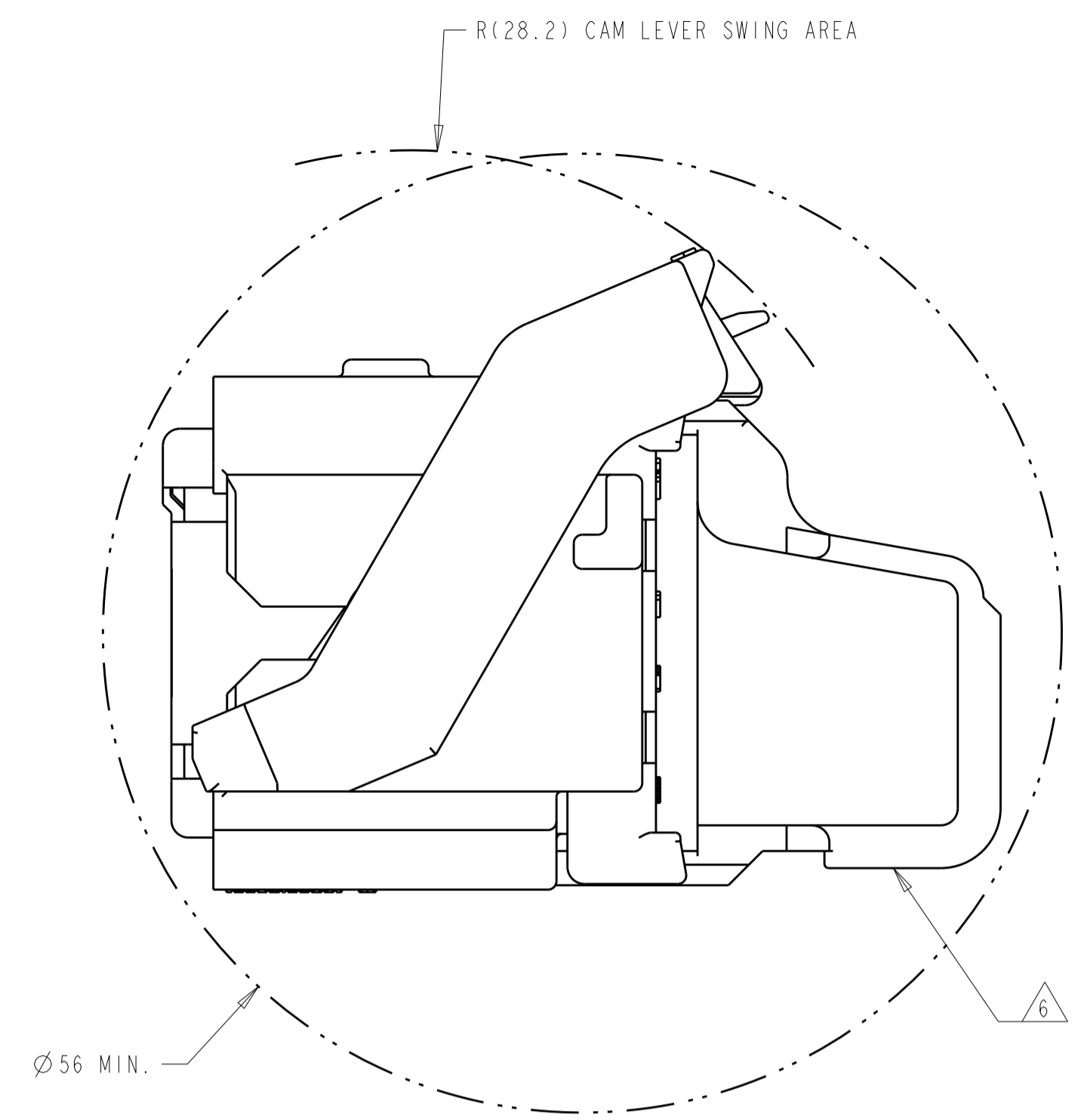
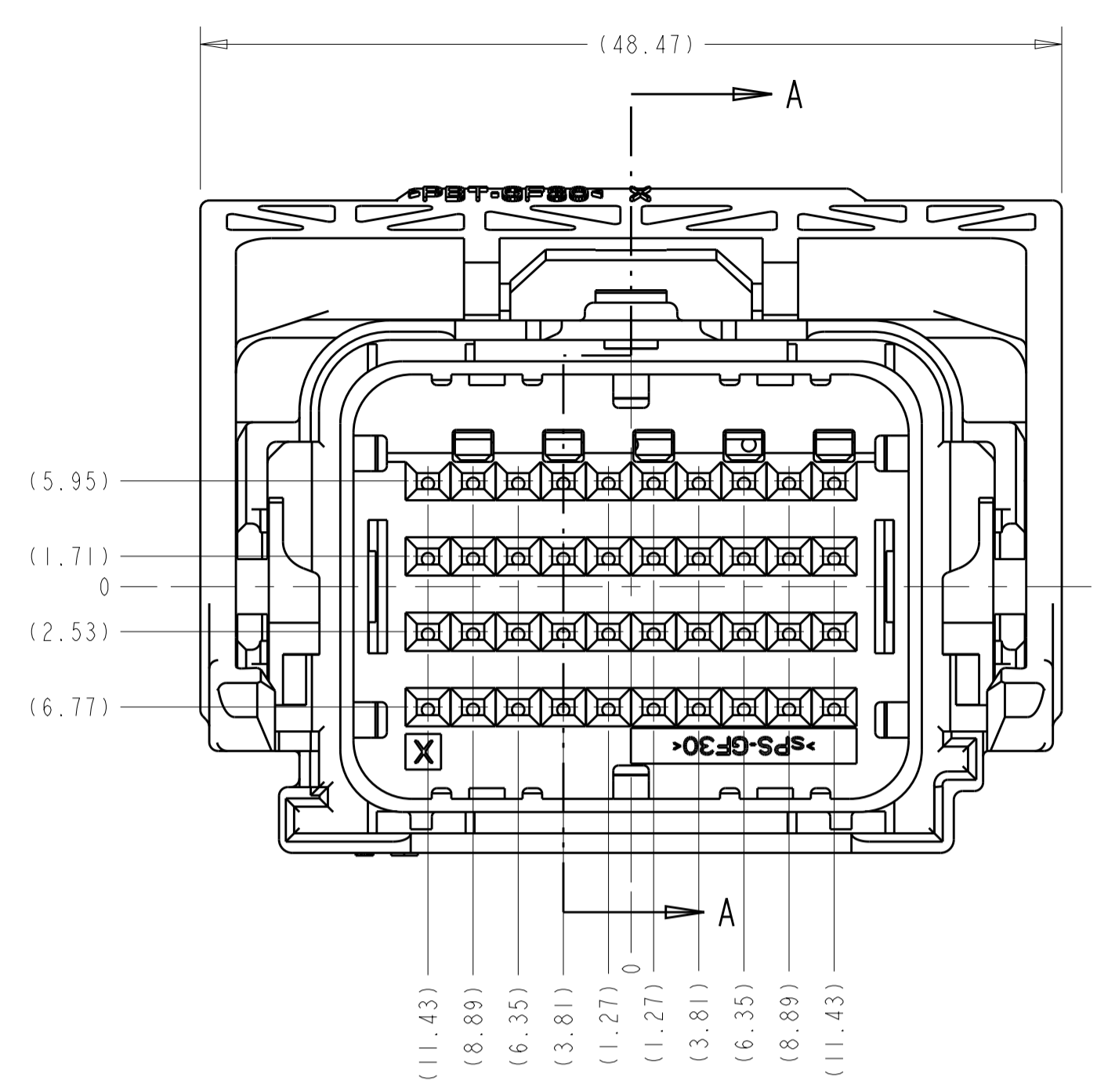
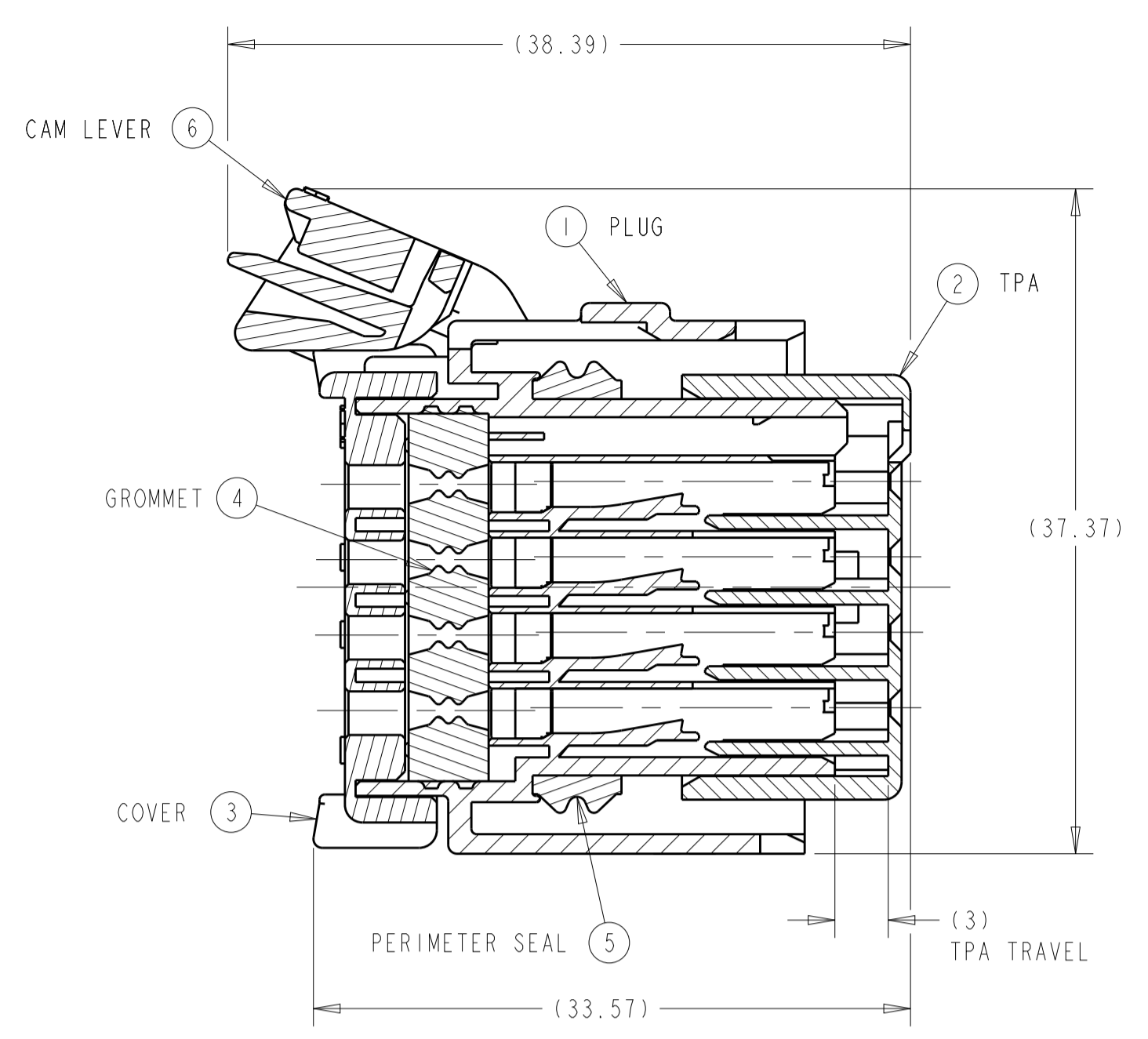
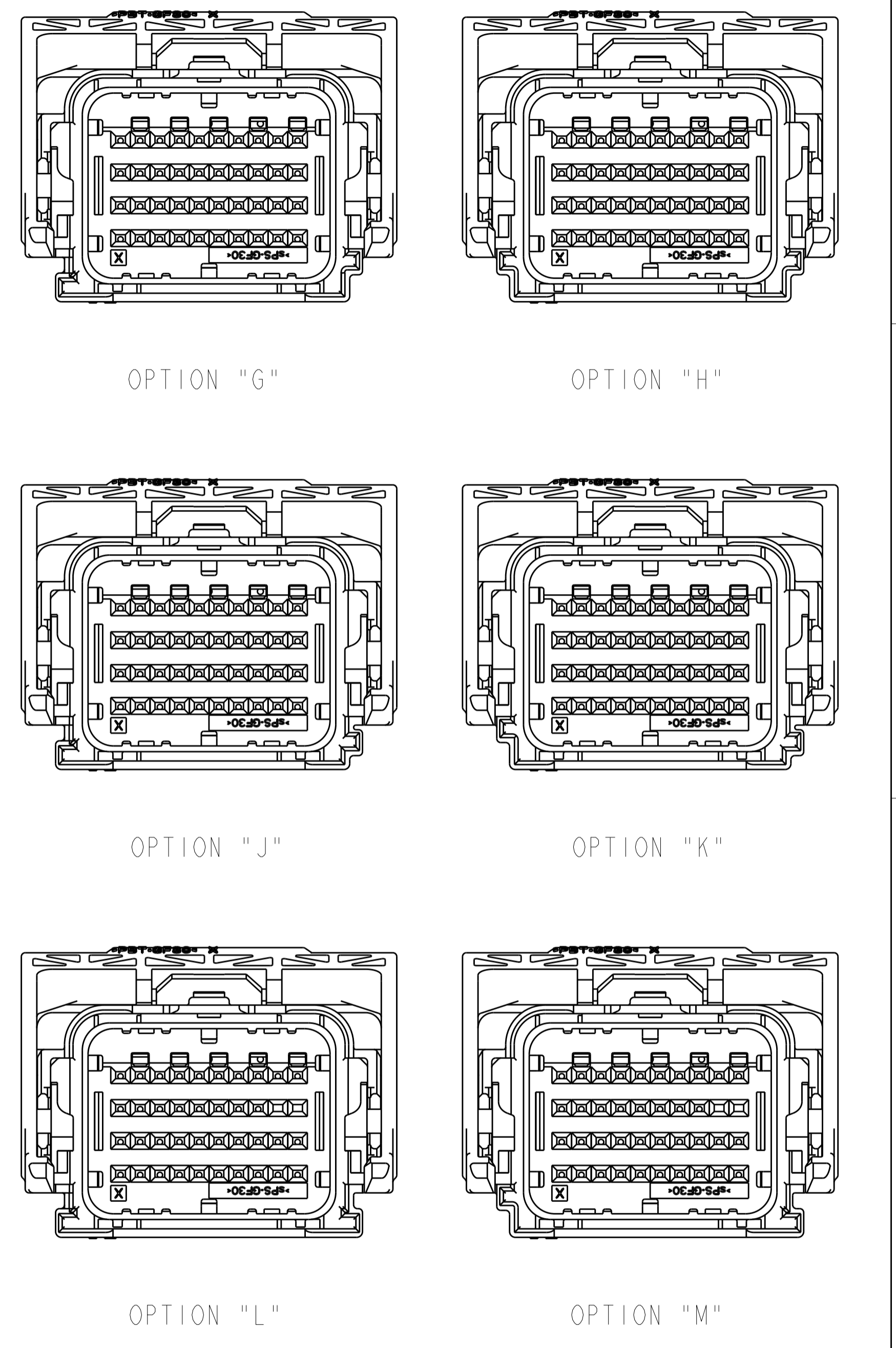


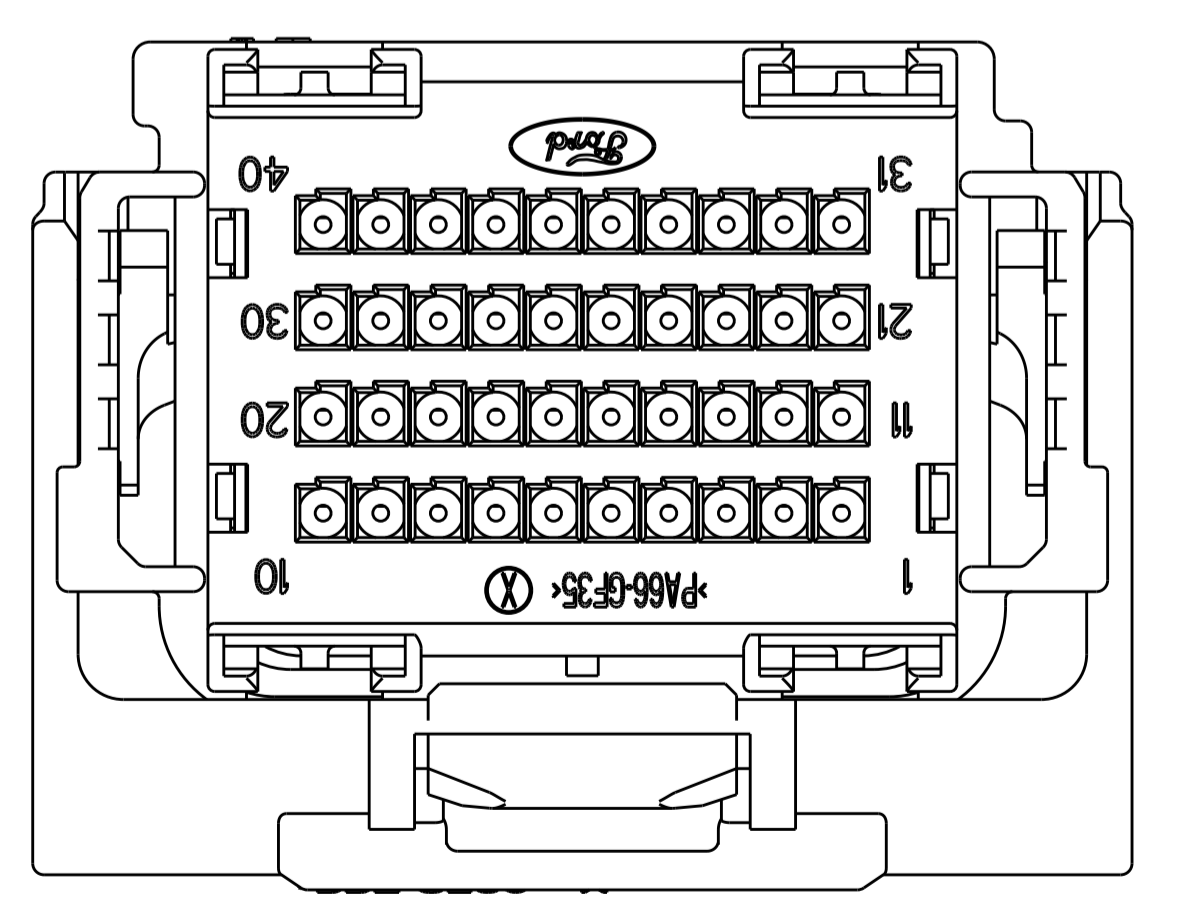
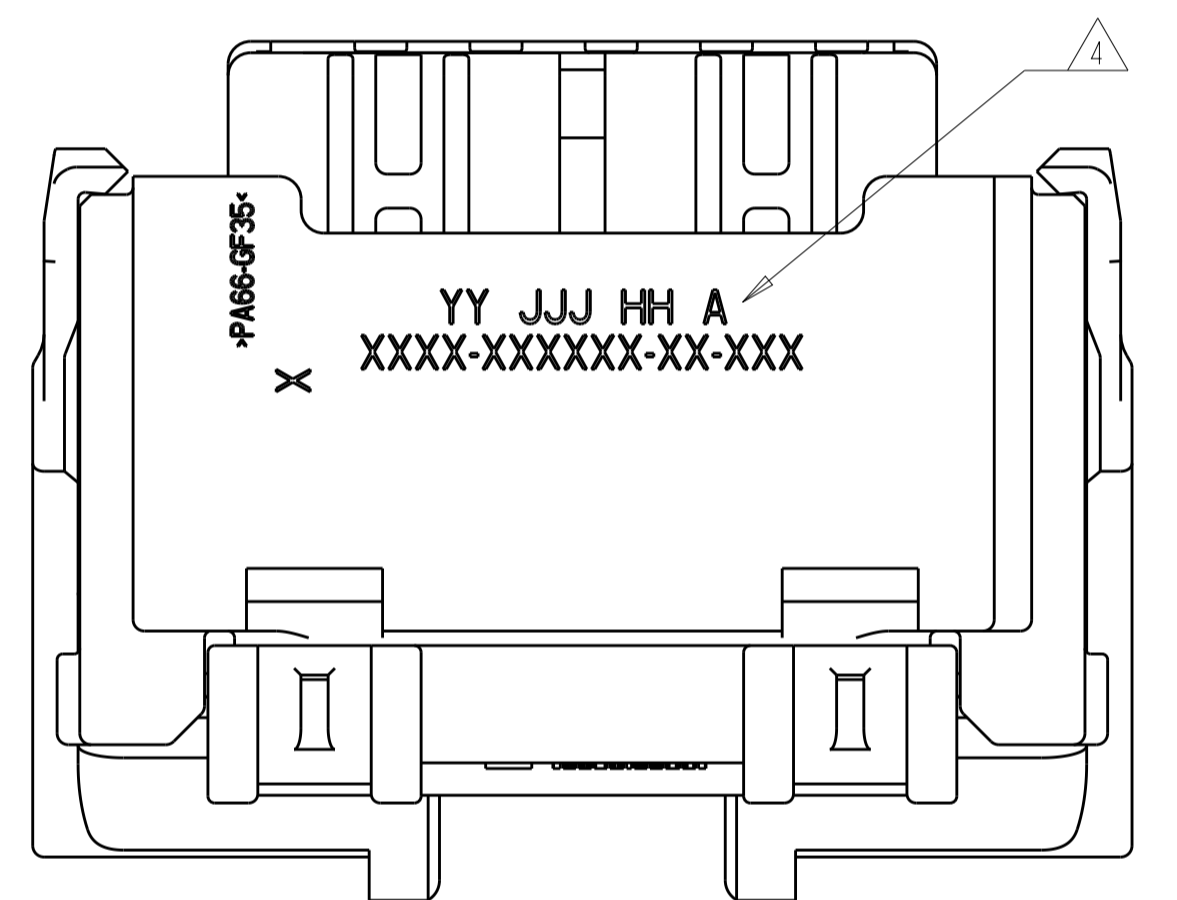
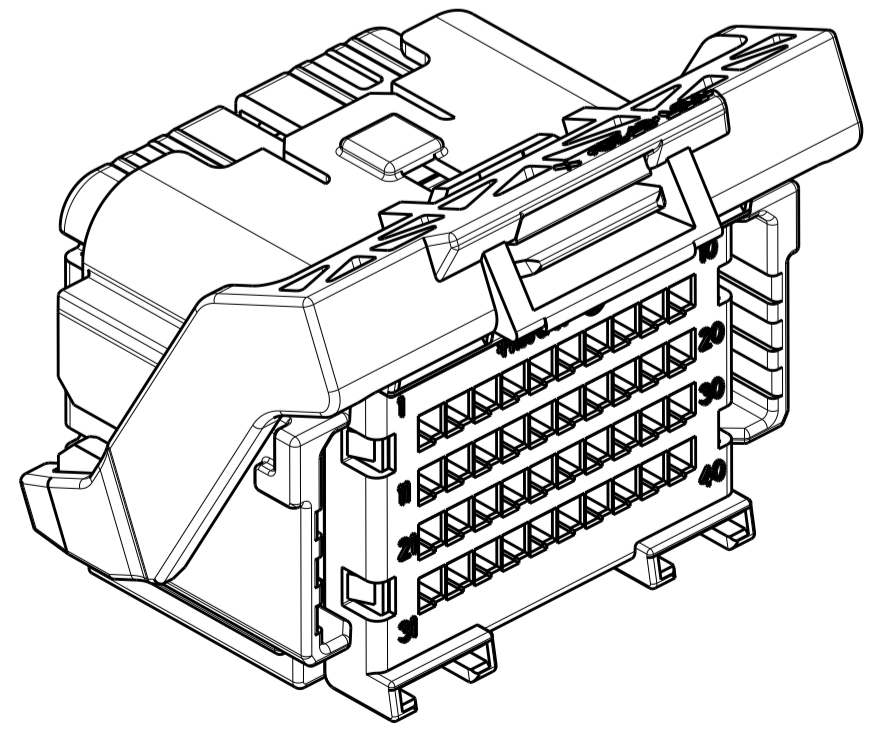
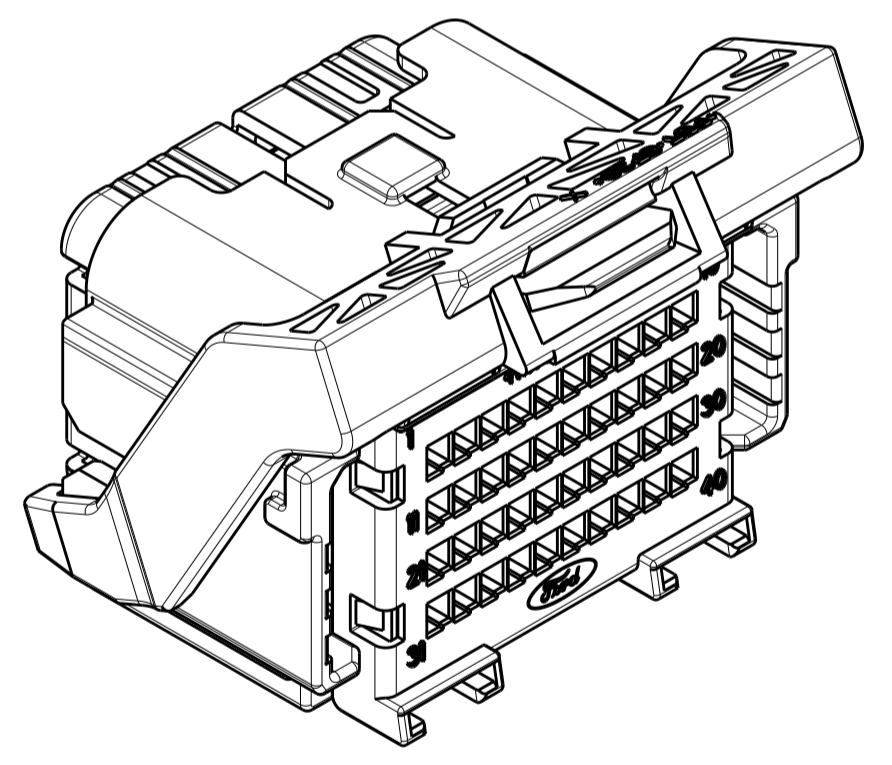
REVISIONS				
P.	LTN	DESCRIPTION	DATE	OWN APVD
CE		REVISED PER ECO-15-012629	01SEP2015	DLD WTW



KEYING OPTIONS
SCALE 2:1



MINIMUM FEED THROUGH CONDITION WITH 1mm CLEARANCE ALL AROUND SHOWN WITH OPTION WIRESHIELD TPA IS IN IT'S LOADED POSITION CAM LEVER IS IN IT'S PRE-LOADED POSITION



- APPLICABLE TERMINAL PART NUMBERS (SOLD SEPARATELY):
FOR TIN APPLICATIONS: 1393367 AND 1393366.
FOR GOLD APPLICATIONS: 1393365 AND 1393364.
FOR TERMINATION AND REELING OPTIONS
SEE DRAWINGS 1393367, 1393366, 1393365, AND 1393364.
- COMPATIBLE WIRE SIZES FOR MAT SEAL DESIGN 1.19 TO 2.06 O.D.
(22-18 AWG, 0.35-0.75 mm²)
- TPA AND CAM LEVER ARE SHIPPED IN THEIR PRE-LOADED POSITION.
ALL ASSEMBLIES ARE TO BE TRAY PACKAGED.
- CUSTOMER PART NUMBER AND TRACEABILITY CODE (YY = TWO DIGIT YEAR, JJJ = JULIAN DAY, HH = TWO DIGIT MILITARY HOUR, A = ASSEMBLY PROCESS USED) ARE PRINTED IN THIS LOCATION.
- PART ASSEMBLY WEIGHT WITHOUT TERMINALS AND WITH STANDARD PIN-OUT CONFIGURATION IS 24.71 GRAMS.
- OPTIONAL WIRESHIELD P/N 8-1419157-8 (SOLD SEPARATELY). PLEASE CONTACT YOUR TE SALES REPRESENTATIVE FOR AVAILABILITY AND PRICING.

THIS DRAWING IS A CONTROLLED DOCUMENT.

DIMENSIONS:	TOLERANCES UNLESS OTHERWISE SPECIFIED:	OWN: M. FORLSKA 19APR2002	CHK: M. FORLSKA 19APR2002	APVD: A. VALASEK 19APR2002
mm	0 PLC ± 1 PLC ±0.3 2 PLC ±0.10 3 PLC ± 4 PLC ± ANGLES ±	PRODUCT SPEC	APPLICATION SPEC	WEIGHT SEE NOTE 5
MATERIAL SEE CHART ON SHEET 2	FINISH	SIZE A1	CAGE CODE 00779	DRAWING NO. 8-1419157-7
		NAME 40 WAY ARM, PLUG ASSEMBLY WITHOUT SHORTING BARS, CUSTOMER SPEC.		RESTRICTED TO
		SCALE 3:1		SHEET 1 OF 5

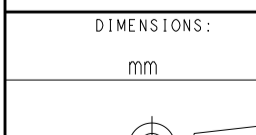
STE TE Connectivity

REVISIONS				
P.	LTN	DESCRIPTION	DATE	OWN APVD
-	-	SEE SHEET 1	-	-

ASSEMBLY PART NUMBERS										ITEM	DESCRIPTION	MATERIAL	FINISH/COLOR	
											6	CAM LEVER	PBT 30% GF	GRAY
											6	CAM LEVER WITH MODIFIED TAB	PA66 35% GF	GRAY
											6	CAM LEVER WITH MODIFIED TAB	PBT 30% GF	GRAY
											5	PERIMETER SEAL	SILICONE	GREEN
											4	GROMMET	SILICONE	BROWN
											3	COVER	PA66 35% GF	BLACK
											2	TPA FOR NON-SHORTING BAR APPLICATIONS	sPS 30% GF	NATURAL
											2	TPA FOR NON-SHORTING BAR APPLICATIONS	sPS 30% GF	RED
											1	PLUG WITH KEYING OPTION "K" AND 5 SHORTING BAR POSITIONS CONFIGURATION	PA66 35% GF	BLACK
											1	PLUG WITH KEYING OPTION "L" AND 5 SHORTING BAR POSITIONS CONFIGURATION	PA66 35% GF	BLACK
											1	PLUG WITH KEYING OPTION "J" AND 5 SHORTING BAR POSITIONS CONFIGURATION	PA66 35% GF	BLACK
											1	PLUG WITH KEYING OPTION "H" AND 5 SHORTING BAR POSITIONS CONFIGURATION	PA66 35% GF	BLACK
											1	PLUG WITH KEYING OPTION "G" AND 5 SHORTING BAR POSITIONS CONFIGURATION	PA66 35% GF	BLACK

ASSEMBLY PART NUMBERS										ITEM	DESCRIPTION	MATERIAL	FINISH/COLOR	
											6	CAM LEVER	PBT 30% GF	GRAY
											6	CAM LEVER WITH MODIFIED TAB	PA66 35% GF	GRAY
											6	CAM LEVER WITH MODIFIED TAB	PBT 30% GF	GRAY
											5	PERIMETER SEAL	SILICONE	GREEN
											4	GROMMET	SILICONE	BROWN
											3	COVER	PA66 35% GF	BLACK
											2	TPA FOR NON-SHORTING BAR APPLICATIONS	sPS 30% GF	NATURAL
											2	TPA FOR NON-SHORTING BAR APPLICATIONS	sPS 30% GF	RED
											1	PLUG WITH KEYING OPTION "K" AND 5 SHORTING BAR POSITIONS CONFIGURATION	PA66 35% GF	BLACK
											1	PLUG WITH KEYING OPTION "L" AND 5 SHORTING BAR POSITIONS CONFIGURATION	PA66 35% GF	BLACK
											1	PLUG WITH KEYING OPTION "J" AND 5 SHORTING BAR POSITIONS CONFIGURATION	PA66 35% GF	BLACK
											1	PLUG WITH KEYING OPTION "H" AND 5 SHORTING BAR POSITIONS CONFIGURATION	PA66 35% GF	BLACK
											1	PLUG WITH KEYING OPTION "G" AND 5 SHORTING BAR POSITIONS CONFIGURATION	PA66 35% GF	BLACK

ASSEMBLY PART NUMBERS										ITEM	DESCRIPTION	MATERIAL	FINISH/COLOR	
											6	CAM LEVER	PBT 30% GF	GRAY
											6	CAM LEVER WITH MODIFIED TAB	PA66 35% GF	GRAY
											6	CAM LEVER WITH MODIFIED TAB	PBT 30% GF	GRAY
											5	PERIMETER SEAL	SILICONE	GREEN
											4	GROMMET	SILICONE	BROWN
											3	COVER	PA66 35% GF	BLACK
											2	TPA FOR NON-SHORTING BAR APPLICATIONS	sPS 30% GF	NATURAL
											2	TPA FOR NON-SHORTING BAR APPLICATIONS	sPS 30% GF	RED
											1	PLUG WITH KEYING OPTION "K" AND 5 SHORTING BAR POSITIONS CONFIGURATION	PA66 35% GF	BLACK
											1	PLUG WITH KEYING OPTION "L" AND 5 SHORTING BAR POSITIONS CONFIGURATION	PA66 35% GF	BLACK
											1	PLUG WITH KEYING OPTION "J" AND 5 SHORTING BAR POSITIONS CONFIGURATION	PA66 35% GF	BLACK
											1	PLUG WITH KEYING OPTION "H" AND 5 SHORTING BAR POSITIONS CONFIGURATION	PA66 35% GF	BLACK
											1	PLUG WITH KEYING OPTION "G" AND 5 SHORTING BAR POSITIONS CONFIGURATION	PA66 35% GF	BLACK

THIS DRAWING IS A CONTROLLED DOCUMENT. DIMENSIONS: mm 		TOLERANCES UNLESS OTHERWISE SPECIFIED: 0 PLC ±0.3 1 PLC ±0.10 2 PLC ±0.10 3 PLC ±0.10 4 PLC ±0.10 ANGLES ±0.5°		DWN: M. FORLSKA 19APR2002 CHK: M. FORLSKA 19APR2002 APVD: A. VALASEK 19APR2002 PRODUCT SPEC: - APPLICATION SPEC: - WEIGHT: SEE NOTE 5 CUSTOMER DRAWING		NAME: 40 WAY ARM, PLUG ASSEMBLY WITHOUT SHORTING BARS, CUSTOMER SPEC. SIZE: A1 CAGE CODE: 00779 DRAWING NO: 8-1419157-7 SCALE: 3:1 SHEET: 2 OF 5 REV: CE	
---	--	--	--	--	--	--	--

REVISIONS				
P.	LTN	DESCRIPTION	DATE	APPD
-	-	SEE SHEET 1	-	-

ASSEMBLY PART NUMBERS																				ITEM	DESCRIPTION	MATERIAL	FINISH/COLOR			
																					2098034-1		6	CAM LEVER	PBT 30% GF	GRAY
																							6	CAM LEVER WITH MODIFIED TAB	PA66 35% GF	GRAY
																							6	CAM LEVER WITH MODIFIED TAB	PBT 30% GF	GRAY
																							5	PERIMETER SEAL	SILICONE	GREEN
																							4	GROMMET	SILICONE	BROWN
																							3	COVER	PA66 35% GF	BLACK
																							2	TPA FOR NON-SHORTING BAR APPLICATIONS	sPS 30% GF	NATURAL
																							2	TPA FOR NON-SHORTING BAR APPLICATIONS	sPS 30% GF	RED
																							1	PLUG WITH KEYING OPTION "K" AND 5 SHORTING BAR POSITIONS CONFIGURATION	PA66 35% GF	BLACK
																							1	PLUG WITH KEYING OPTION "L" AND 5 SHORTING BAR POSITIONS CONFIGURATION	PA66 35% GF	BLACK
																							1	PLUG WITH KEYING OPTION "J" AND 5 SHORTING BAR POSITIONS CONFIGURATION	PA66 35% GF	BLACK
																							1	PLUG WITH KEYING OPTION "H" AND 5 SHORTING BAR POSITIONS CONFIGURATION	PA66 35% GF	BLACK
																							1	PLUG WITH KEYING OPTION "G" AND 5 SHORTING BAR POSITIONS CONFIGURATION	PA66 35% GF	BLACK


DIMENSIONS: mm 		TOLERANCES UNLESS OTHERWISE SPECIFIED: 0 PLC ± 1 PLC ±0.3 2 PLC ±0.10 3 PLC ± 4 PLC ± ANGLES ±°		THIS DRAWING IS A CONTROLLED DOCUMENT. DWN M. FORLSKA 19APR2002 CHK M. FORLSKA 19APR2002 APPD A. VALASEK 19APR2002		STE TE Connectivity NAME: 40 WAY ARM, PLUG ASSEMBLY WITHOUT SHORTING BARS, CUSTOMER SPEC.	
MATERIAL: SEE CHART ON SHEET 2		FINISH:		WEIGHT:		SIZE: A1 00779 C=8-1419157-7	
CUSTOMER DRAWING				SCALE: 3:1		SHEET 3 OF 5 REV: CE	

PIN-OUT CHART																																							
4-1438099-4 KEY "J"																																							
4-1438099-3 KEY "J"																																							
4-1438099-2 KEY "J"																																							
4-1438099-1 KEY "J"																																							
3-1438099-9 KEY "J"																																							
3-1438099-8 KEY "J"																																							
3-1438099-7 KEY "J"																																							
3-1438099-6 KEY "J"																																							
3-1438099-5 KEY "J"																																							
3-1438099-4 KEY "J"																																							
3-1438099-3 KEY "J"																																							
3-1438099-2 KEY "J"																																							
3-1438099-1 KEY "J"																																							
2-1438099-9 KEY "J"																																							
2-1438099-8 KEY "J"																																							
2-1438099-7 KEY "J"																																							
2-1438099-6 KEY "J"																																							
2-1438099-5 KEY "J"																																							
2-1438099-4 KEY "J"																																							
2-1438099-3 KEY "J"																																							
1-1438099-9 KEY "J"																																							
1-1438099-8 KEY "J"																																							
1-1438099-7 KEY "J"																																							
1-1438099-6 KEY "J"																																							
1-1438099-5 KEY "J"																																							
1-1438099-4 KEY "J"																																							
1-1438099-3 KEY "J"																																							
1-1438099-2 KEY "J"																																							
1-1438099-1 KEY "J"																																							
1438099-9 KEY "J"																																							
1438099-8 KEY "H"																																							
1438099-7 KEY "H"																																							
1438099-6 KEY "H"																																							
1438099-5 KEY "H"																																							
1438099-4 KEY "H"																																							
1438099-3 KEY "H"																																							
1438099-2 KEY "H"																																							
1438099-1 KEY "H"																																							
1438620-1 KEY "L"																																							
1438619-1 KEY "J"																																							
1438618-1 KEY "H"																																							
1438617-1 KEY "G"																																							
2-1438098-1 KEY "H"																																							
2-1438098-0 KEY "H"																																							
1-1438098-9 KEY "H"																																							
1-1438435-0 KEY "L"																																							
1438435-9 KEY "L"																																							
1438435-8 KEY "L"																																							
1438435-7 KEY "L"																																							
1438435-6 KEY "L"																																							
1438435-5 KEY "L"																																							
1438435-4 KEY "L"																																							
1438435-3 KEY "L"																																							
1438435-2 KEY "L"																																							
1438435-1 KEY "L"																																							
1-1438098-8 KEY "H"																																							
1-1438098-7 KEY "H"																																							
1-1438098-6 KEY "H"																																							
1-1438098-5 KEY "H"																																							
1-1438098-4 KEY "H"																																							
1-1438098-3 KEY "H"																																							
1-1438098-2 KEY "H"																																							
1-1438098-1 KEY "H"																																							
1-1438098-0 KEY "H"																																							
1438098-9 KEY "H"																																							
1438098-8 KEY "H"																																							
1438098-7 KEY "H"																																							
1438098-6 KEY "H"																																							
1438098-5 KEY "H"																																							
1438098-4 KEY "H"																																							
1438098-3 KEY "H"																																							
1438098-2 KEY "H"																																							
1438098-1 KEY "H"																																							
1438098-0 KEY "H"																																							
1438099-7 KEY "J"																																							
1438099-6 KEY "J"																																							
1438099-5 KEY "J"																																							
1438099-4 KEY "J"																																							
1438099-3 KEY "J"																																							
1438099-2 KEY "J"																																							
1438099-1 KEY "J"																																							
1438098-8 KEY "H"																																							
1438098-7 KEY "H"																																							
1438098-6 KEY "H"																																							
1438098-5 KEY "H"																																							
1438098-4 KEY "H"																																							
1438098-3 KEY "H"																																							
1438098-2 KEY "H"																																							
1438098-1 KEY "H"																																							
1438098-0 KEY "H"																																							
1438099-5 KEY "J"																																							
1438099-4 KEY "J"																																							
1438099-3 KEY "J"																																							
1438099-2 KEY "J"																																							
1438099-1 KEY "J"																																							
1438098-8 KEY "H"																																							
1438098-7 KEY "H"																																							
1438098-6 KEY "H"																																							
1438098-5 KEY "H"																																							
1438098-4 KEY "H"																																							
1438098-3 KEY "H"																																							
1438098-2 KEY "H"																																							
1438098-1 KEY "H"																																							
1438098-0 KEY "H"																																							
8-1419157-5 KEY "G"																																							
1438099-1 KEY "J"																																							
1438098-1 KEY "H"																																							
8-1419157-7 KEY "G"																																							
ASSEMBLY PART NUMBER KEYING OPTION																																							

TERMINAL HOLE POSITION
CAVITIES WITH A NUMERIC SYMBOL INDICATE CLOSED TERMINAL HOLE POSITIONS
BLANK CAVITIES INDICATE OPEN TERMINAL HOLE POSITIONS

REVISIONS				
P	LN	DESCRIPTION	DATE	OWN APVD
-	-	SEE SHEET 1	-	-

PIN-OUT CHART																																							
2098034-1 KEY "H"																																							
1-1438435-6 KEY "L"																																							
1-1438435-5 KEY "L"																																							
1-1438435-4 KEY "L"																																							
1-1438435-3 KEY "L"																																							
1-1438435-2 KEY "L"																																							
1-1438435-1 KEY "L"																																							
4-1924513-8 KEY "J"																																							
4-1924513-7 KEY "J"																																							
4-1924513-6 KEY "J"																																							
4-1924513-5 KEY "J"																																							
4-1924513-4 KEY "J"																																							
4-1924513-3 KEY "J"																																							
4-1924513-2 KEY "J"																																							
4-1924513-1 KEY "J"																																							
3-1924513-9 KEY "J"																																							
3-1924513-8 KEY "J"																																							
3-1924513-7 KEY "J"																																							
3-1924513-6 KEY "J"																																							
3-1924513-5 KEY "J"																																							
3-1924513-4 KEY "J"																																							
3-1924513-3 KEY "J"																																							
3-1924513-2 KEY "J"																																							
3-1924513-1 KEY "J"																																							
2-1924513-9 KEY "J"																																							
2-1924513-8 KEY "J"																																							
2-1924513-7 KEY "J"																																							
2-1924513-6 KEY "J"																																							
2-1924513-5 KEY "J"																																							
2-1924513-4 KEY "J"																																							
2-1924513-3 KEY "J"																																							
2-1924513-2 KEY "J"																																							
2-1924513-1 KEY "J"																																							
1-1924513-9 KEY "J"																																							
1-1924513-8 KEY "J"																																							
1-1924513-7 KEY "J"																																							
1-1924513-6 KEY "J"																																							
1-1924513-5 KEY "J"																																							
1-1924513-4 KEY "J"																																							
1-1924513-3 KEY "J"																																							
1-1924513-2 KEY "J"																																							
1-1924513-1 KEY "J"																																							
1924513-9 KEY "J"																																							
1924513-8 KEY "J"																																							
1924513-7 KEY "J"																																							
1924513-6 KEY "J"																																							
1924513-5 KEY "J"																																							
1924513-4 KEY "J"																																							
1924513-3 KEY "J"																																							
1924513-2 KEY "J"																																							
1924513-1 KEY "J"																																							
5-1438099-1 KEY "J"																																							
5-1438099-0 KEY "J"																																							
4-1438099-9 KEY "J"																																							
4-1438099-8 KEY "J"																																							
4-1438099-7 KEY "J"																																							
4-1438099-6 KEY "J"																																							
4-1438099-5 KEY "J"																																							
1438618-2 KEY "H"																																							
3-1438098-2 KEY "H"																																							
3-1438098-1 KEY "H"																																							
3-1438098-0 KEY "H"																																							
2-1438098-9 KEY "H"																																							
2-1438098-8 KEY "H"																																							
2-1438098-7 KEY "H"																																							
2-1438098-6 KEY "H"																																							
2-1438098-5 KEY "H"																																							
2-1438098-4 KEY "H"																																							
2-1438098-3 KEY "H"																																							
2-1438098-2 KEY "H"																																							
2-1438098-1 KEY "H"																																							
2-1438098-0 KEY "H"																																							
1438099-5 KEY "J"																																							
1438099-4 KEY "J"																																							
1438099-3 KEY "J"																																							
1438099-2 KEY "J"																																							
1438099-1 KEY "J"																																							
1438098-8 KEY "H"																																							
1438098-7 KEY "H"																																							
1438098-6 KEY "H"																																							
1438098-5 KEY "H"																																							
1438098-4 KEY "H"																																							
1438098-3 KEY "H"																																							
1438098-2 KEY "H"																																							
1438098-1 KEY "H"																																							
1438098-0 KEY "H"																																							
8-1419157-5 KEY "G"																																							
1438099-1 KEY "J"																																							
1438098-1 KEY "H"																																							
8-1419157-7 KEY "G"																																							
ASSEMBLY PART NUMBER KEYING OPTION																																							

THIS DRAWING IS A CONTROLLED DOCUMENT.		OWN: M. FORLSKA 19APR2002		TE Connectivity	
DIMENSIONS: mm		CHK: M. FORLSKA 19APR2002		NAME: 40 WAY ARM, PLUG ASSEMBLY WITHOUT SHORTING BARS, CUSTOMER SPEC.	
TOLERANCES UNLESS OTHERWISE SPECIFIED:		APVD: A. VALASEK 19APR2002		SIZE: A1 00779	CAGE CODE: 8-1419157-7
MATERIAL: SEE CHART ON SHEET 2		PRODUCT SPEC: -		APPLIC: -	RESTRICTED TO: -
WEIGHT: -		CUSTOMER DRAWING		SCALE: 3:1	SHEET: 4 OF 5


THIS DRAWING IS UNPUBLISHED. RELEASED FOR PUBLICATION 20
 © COPYRIGHT 20 BY - ALL RIGHTS RESERVED.

REVISIONS				
P.	LTN	DESCRIPTION	DATE	APVD
-		SEE SHEET 1	-	-

PIN-OUT CHART

TERMINAL HOLE POSITION	ASSEMBLY PART NUMBER	PLUG KEYING OPTION
26 27 28	5-1924513-1	KEY "J"
26 27	5-1924513-0	KEY "J"
28	4-1924513-9	KEY "J"
33 34		
33 34		
33	2138987-2	KEY "G"
35 36 37 38 39	2138987-1	KEY "G"
1 2 3 4 5 6 7 8 9 10 11 12 13 14 15 16 17 18 19 20 21 22 23 24 25 26 27 28 29 30 31 32 33 34 35 36 37 38 39 40		

CAVITIES WITH A NUMERIC SYMBOL INDICATE CLOSED TERMINAL HOLE POSITIONS
 BLANK CAVITIES INDICATE OPEN TERMINAL HOLE POSITIONS

THIS DRAWING IS A CONTROLLED DOCUMENT.		DWN M. FORLSKA 19APR2002 CHK M. FORLSKA 19APR2002 APVD A. VALASEK 19APR2002	STE TE Connectivity NAME 40 WAY ARM, PLUG ASSEMBLY WITHOUT SHORTING BARS, CUSTOMER SPEC.
DIMENSIONS: mm 	TOLERANCES UNLESS OTHERWISE SPECIFIED: 0 PLC ± 1 PLC ±0.3 2 PLC ±0.10 3 PLC ± 4 PLC ± ANGLES ±3° FINISH -	PRODUCT SPEC APPLICATION SPEC WEIGHT - CUSTOMER DRAWING	SIZE A1 CAGE CODE 00779 DRAWING NO. C=8-1419157-7 RESTRICTED TO - SCALE 3:1 SHEET 5 OF 5 REV CE



Компания «ЭлектроПласт» предлагает заключение долгосрочных отношений при поставках импортных электронных компонентов на взаимовыгодных условиях!

Наши преимущества:

- Оперативные поставки широкого спектра электронных компонентов отечественного и импортного производства напрямую от производителей и с крупнейших мировых складов;
- Поставка более 17-ти миллионов наименований электронных компонентов;
- Поставка сложных, дефицитных, либо снятых с производства позиций;
- Оперативные сроки поставки под заказ (от 5 рабочих дней);
- Экспресс доставка в любую точку России;
- Техническая поддержка проекта, помощь в подборе аналогов, поставка прототипов;
- Система менеджмента качества сертифицирована по Международному стандарту ISO 9001;
- Лицензия ФСБ на осуществление работ с использованием сведений, составляющих государственную тайну;
- Поставка специализированных компонентов (Xilinx, Altera, Analog Devices, Intersil, Interpoint, Microsemi, Aeroflex, Peregrine, Syfer, Eurofarad, Texas Instrument, Miteq, Cobham, E2V, MA-COM, Hittite, Mini-Circuits, General Dynamics и др.);

Помимо этого, одним из направлений компании «ЭлектроПласт» является направление «Источники питания». Мы предлагаем Вам помощь Конструкторского отдела:

- Подбор оптимального решения, техническое обоснование при выборе компонента;
- Подбор аналогов;
- Консультации по применению компонента;
- Поставка образцов и прототипов;
- Техническая поддержка проекта;
- Защита от снятия компонента с производства.



Как с нами связаться

Телефон: 8 (812) 309 58 32 (многоканальный)

Факс: 8 (812) 320-02-42

Электронная почта: org@eplast1.ru

Адрес: 198099, г. Санкт-Петербург, ул. Калинина, дом 2, корпус 4, литера А.