

PLEASE CHECK WWW.MOLEX.COM FOR LATEST PART INFORMATION

Part Number: [5033980891](#)
Status: **Active**
Description: 1.10mm (.043") Pitch microSD Memory Card Connector, Normal Mount SMT, Push-Push Type, 1.28mm (.050") Height

Documents:

[3D Model](#) [Product Specification PS-503398-001 \(PDF\)](#)
[Drawing \(PDF\)](#) [RoHS Certificate of Compliance \(PDF\)](#)

General

Product Family	Memory Card Sockets
Series	503398
Button Type	Push-Push
Component Type	Header & Ejector (Host)
Product Name	microSD Card
Type	N/A

Physical

Card Detection Switch	Yes
Circuits (Loaded)	8
Color - Resin	Black
Durability (mating cycles max)	10,000
Ejector Button Side	No Ejector Button Present
Entry Angle	90° Angle
Keying to Mating Part	Yes
Material - Metal	Phosphor Bronze, Stainless Steel
Material - Plating Mating	Gold
Material - Plating Termination	Gold, Tin
PCB Locator	No
PCB Mounting Side	Normal
PCB Retention	Yes
Packaging Type	Embossed Tape on Reel
Pitch - Mating Interface (in)	0.043 In
Pitch - Mating Interface (mm)	1.10 mm
Ports	1
Temperature Range - Operating	-25°C to +85°C
Termination Interface: Style	Surface Mount

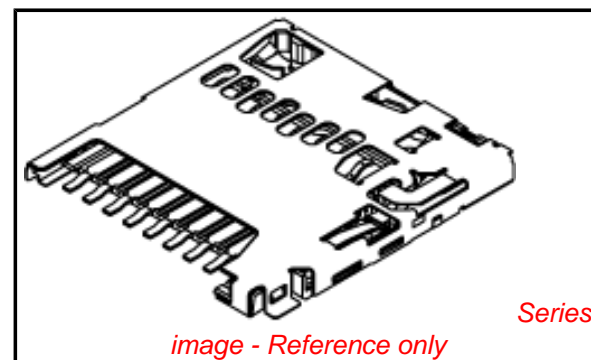
Electrical

Current - Maximum per Contact	0.5A
Shielded	Yes
Voltage - Maximum	10V AC (RMS)/DC

Material Info

Reference - Drawing Numbers

Product Specification	PS-503398-001, RPS-503398-001
Sales Drawing	SD-503398-001, SD-503398-002



EU RoHS

**ELV and RoHS
Compliant**
REACH SVHC
 Not Reviewed
**Halogen-Free
Status**
 Not Reviewed

China RoHS



**Need more information on product
environmental compliance?**

Email productcompliance@molex.com
 For a multiple part number RoHS Certificate of
 Compliance, [click here](#)

Please visit the [Contact Us](#) section for any
 non-product compliance questions.

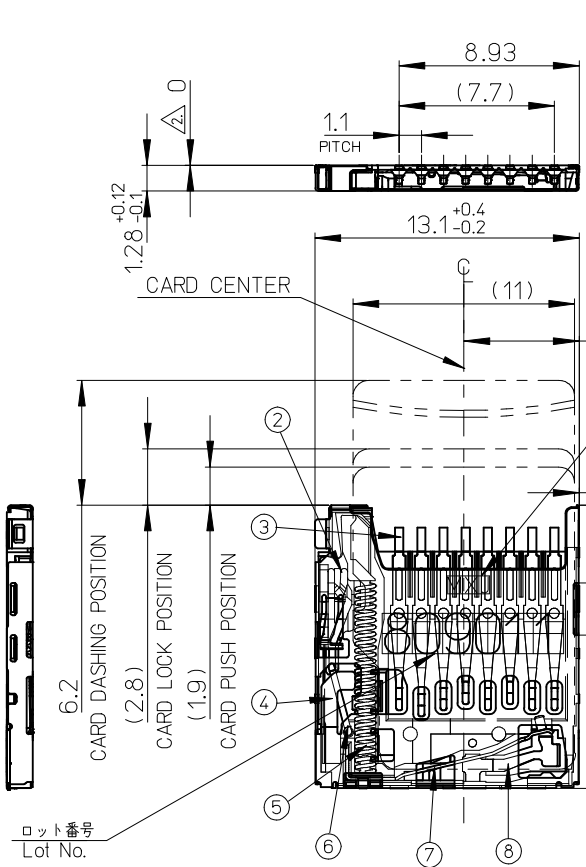
Search Parts in this Series

[503398Series](#)

Use With

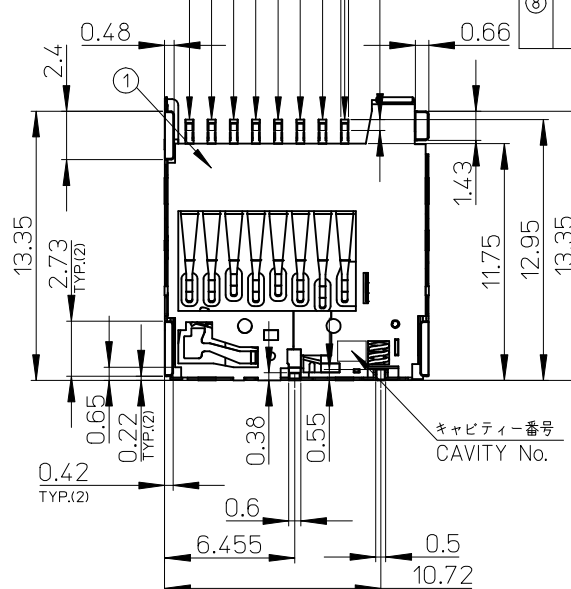
microSD Card

CONFIDENTIAL



- Pin No.1: DAT2
- Pin No.2: CD/DAT3²
- Pin No.3: CMD
- Pin No.4: Vdd
- Pin No.5: CLK
- Pin No.6: Vss
- Pin No.7: DAT0
- Pin No.8: DAT1

社名
COMPANY NAME
(0.48)
(WITHOUT SEAL OF CARD)

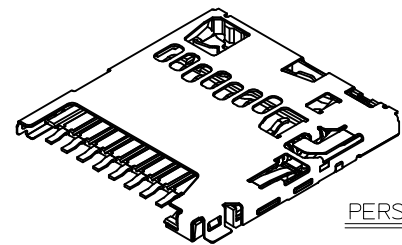


番号 NO.	名称 NAME	材料 MATERIAL	仕上げ (めっき) FINISHES (PLATING)
①	ハウジング HOUSING	液晶ポリマー(LCP)、ガラス充填、UL94 V-0、黒	LIQUID CRYSTAL POLYMER (LCP), GLASS FILLED, UL94 V-0, BLACK
②	カムスライダ CAM SLIDER	液晶ポリマー(LCP)、ガラス充填、UL94 V-0、黒	LIQUID CRYSTAL POLYMER (LCP), GLASS FILLED, UL94 V-0, BLACK
③	ターミナル TERMINAL	燐青銅 PHOSPHOR BRONZE	接触部: 金めっき (0.5µm MIN.) テール部: 錫めっき (2.0µm MIN.) 下地: ニッケルめっき (1.0µm MIN.) CONTACT AREA: GOLD PLATING (0.5 MICROMETER MINIMUM.) SOLDER TAIL AREA: TIN PLATING (2.0 MICROMETER MINIMUM.) UNDERPLATE: NICKEL OVERALL (1.0 MICROMETER MINIMUM.)
④	シェル SHELL	ステンレス鋼 STAINLESS STEEL	下地: ニッケルめっき NAIL AREA: GOLD PLATING UNDERPLATE: NICKEL OVERALL
⑤	スプリング SPRING	ピアノ線 SWP	全面: ニッケルめっき NICKEL OVERALL
⑥	ピン PIN	ステンレス鋼 STAINLESS STEEL	
⑦	ディテクトレバー DETECT LEVER	燐青銅 PHOSPHOR BRONZE	接触部: 金めっき (0.2µm MIN.) 基板実装部: 金めっき 下地: ニッケルめっき CONTACT AREA: GOLD PLATING (0.2 MICROMETER MINIMUM.) NAIL AREA: GOLD PLATING UNDERPLATE: NICKEL OVERALL
⑧	ディテクトスイッチ DETECT SWITCH	燐青銅 PHOSPHOR BRONZE	接触部: 金めっき (0.2µm MIN.) 基板実装部: 金めっき 下地: ニッケルめっき CONTACT AREA: GOLD PLATING (0.2 MICROMETER MINIMUM.) NAIL AREA: GOLD PLATING UNDERPLATE: NICKEL OVERALL

NOTES

1. ターミナル及びネイルの平坦度は 0.1 MAX. (測定用定板面を基準)
TERMINAL AND NAIL COPLANARITY TO BE 0.1 MAX.(FROM GAUGE PLANE)
 - △ スタンドオフ寸法 STAND OFF
 - △ パターン禁止エリア PATTERN PROHIBITION AREA
 4. カード検知スイッチ DETECT SWITCH
- | | |
|--------------------------------|------------|
| カード挿入時 CARD INSERTING POSITION | クローズ CLOSE |
| カード未挿入時 NO CARD | オープン OPEN |
5. 肉抜き位置は任意とする。CAVITY IS TO BE OPTIONAL.
 6. ロット印字は任意とする。LOT NUMBERING IS TO BE OPTIONAL.
 - △ GND 推奨パターン GND RECOMMENDED PATTERN.
 8. ELV 及び RoHS 適合品 ELV AND RoHS COMPLIANT.
 - △ カード裏挿し誤挿入時、カード突出エリア (他の部品の設置、非推奨範囲)
WHEN A CARD IS MISS-MATED IN THE REVERSE ORIENTATION, PART OF THE CARD PROTRUDES FROM THE SHELL DUE TO THE CARD-MISS MATING PREVENTION FEATURE. THEREFORE, NO COMPONENTS ARE ALLOWED TO BE PLACED IN THIS AREA.

ロット番号 Lot No.
809011
8 : Year(2008)
09: Month(9)
01: Day(1)
1 : Line No.

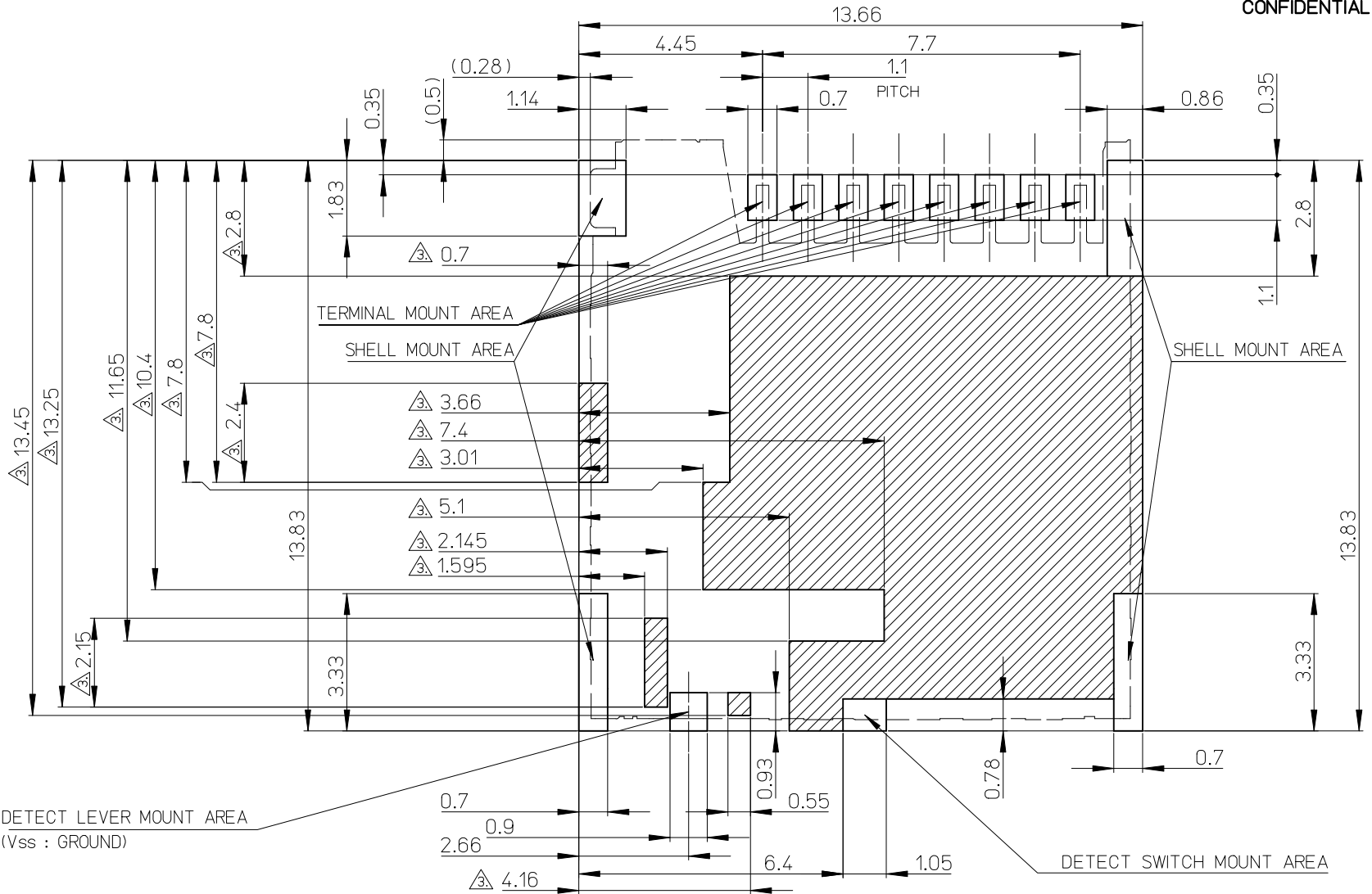


PERSPECTIVE VIEW

503398-0891	8
EMBOSSED PACKAGE	極数
オーダー番号 ORDER NO.	CIRCUITS
CONNECTOR SERIES No. 503398-0811	

PROPOSED EC NO: J22010-00000 DRWN: YMATSUMOTO 2009/09/17 CHKD: MTOMITA 2009/09/17 APPR: NUKITA 2009/09/17	DESCRIPTION REV: 0	GENERAL TOLERANCES (UNLESS SPECIFIED)		DIMENSION STYLE MM ONLY		SCALE 4:1	DESIGN UNITS METRIC	THIRD ANGLE PROJECTION			
		10 UNDER ±0.2	10 OVER 30 UNDER ±0.25	DRAWN BY YMATSUMOTO	DATE 2009/09/09	TITLE MICRO SD CONN. PUSH/PUSH & NORMAL SUPER-SMALL TYPE					
		30 OVER ±0.3	ANGULAR ±1 °	CHECKED BY MTOMITA	DATE 2009/09/09	MOLEX INCORPORATED					
		DRAFT WHERE APPLICABLE MUST REMAIN WITHIN DIMENSIONS		APPROVED BY NUKITA	DATE 2009/09/09	MATERIAL NO. SEE CHART	DOCUMENT NO. SD-503398-001	SHEET NO. 1 OF 2			

THIS DRAWING CONTAINS INFORMATION THAT IS PROPRIETARY TO MOLEX INCORPORATED AND SHOULD NOT BE USED WITHOUT WRITTEN PERMISSION



△ DETECT LEVER MOUNT AREA
(Vss : GROUND)

DETECT SWITCH MOUNT AREA

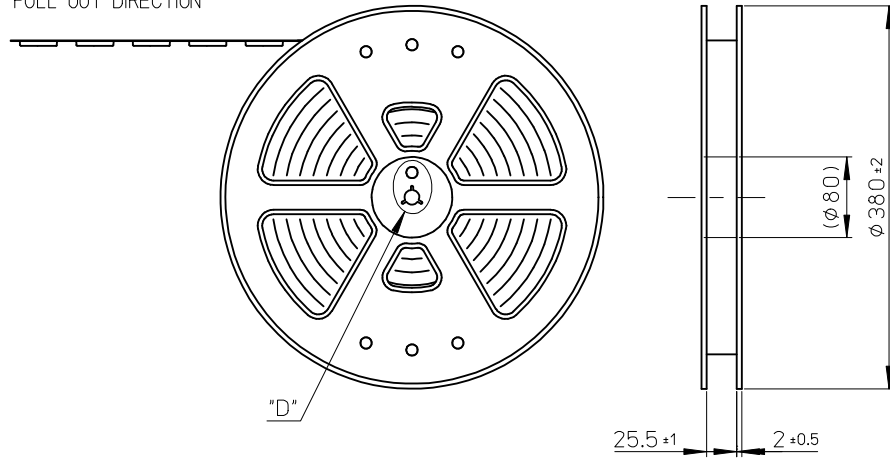
RECOMMENDED
PCB PATTERN LAYOUT
(GENERAL TOLERANCE : ±0.05)

PROPOSED EC NO: JZ0100-000000 DRWN: YMATSUMOTO 2009/09/17 CHKD: MTOMITA 2009/09/17 APPR: NUKITA 2009/09/17	GENERAL TOLERANCES (UNLESS SPECIFIED)		DIMENSION STYLE MM ONLY		SCALE 4:1	DESIGN UNITS METRIC	THIRD ANGLE PROJECTION	
	10 UNDER ±0.2	10 OVER 30 UNDER ±0.25	30 OVER ±0.3	DRAWN BY YMATSUMOTO	DATE 2009/09/09	TITLE MICRO SD CONN. PUSH/PUSH & NORMAL SUPER-SMALL TYPE		
	ANGULAR ±1 °			CHECKED BY MTOMITA	DATE 2009/09/09	MOLEX INCORPORATED		
	DRAFT WHERE APPLICABLE MUST REMAIN WITHIN DIMENSIONS			APPROVED BY NUKITA	DATE 2009/09/09	MATERIAL NO. SEE CHART	DOCUMENT NO. SD-503398-001	SHEET NO. 2 OF 2

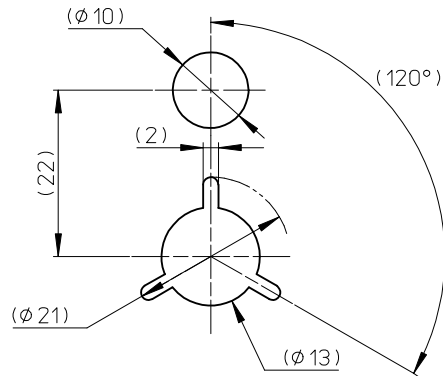
NOTES

- 製品詳細寸法については、SD 図面を参照下さい。
RE DETAILED DIMENSION, SEE SALES DRAWING.
- 梱包数量：2400個/リール
NUMBER OF CONNECTORS：2400 PCS/REEL.
- リードテープ長さ LEAD TAPE LENGTH.

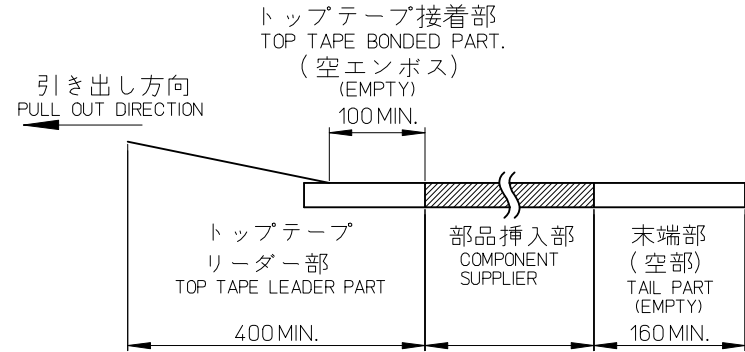
引き出し方向
PULL OUT DIRECTION



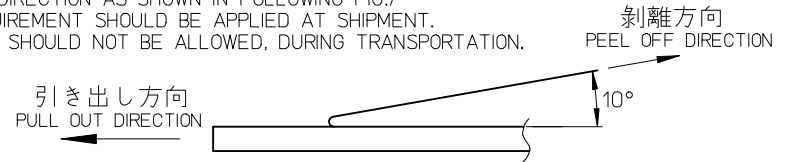
"D"



DETAIL "D"



- トップテープの剥離強度：JIS C0806-3に準拠(剥離方向は下図参照)尚、本規格値は出荷時に適用。(但し、輸送時に剥離が発生しないこと。)
PEELING OFF FORCE OF TOP TAPE：BASED UPON JIS C0806-3 (PEELING DIRECTION AS SHOWN IN FOLLOWING FIG.) THIS REQUIREMENT SHOULD BE APPLIED AT SHIPMENT. PEEL OFF SHOULD NOT BE ALLOWED, DURING TRANSPORTATION.

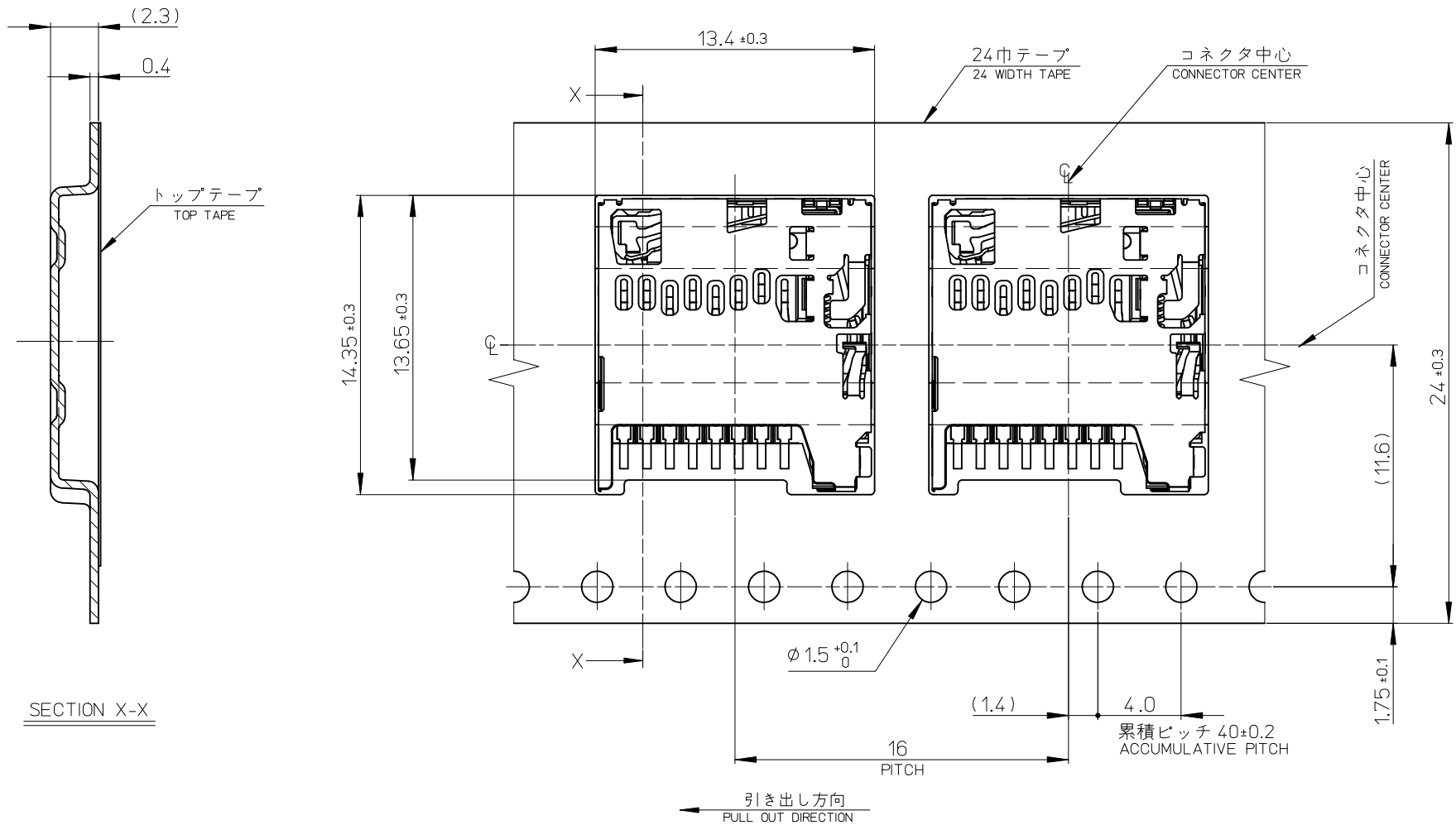


- 材料 MATERIAL
キャリアテープ (CARRIER TAPE)：ポリスチレン (POLYSTYRENE)
トップテープ (TOP TAPE)：PET, PE, PEF
リール (REEL)：ポリスチレン(PS) <リサイクル材含む>
POLYSTYRENE (PS) <RECYCLE MATERIAL CONTAINED>

503398-0891	8
EMBOSSED PACKAGE	極数
オーダー番号 ORDER NO.	CIRCUITS
CONNECTOR SERIES No. 503398-0811	

PROPOSED EC NO: J2010-0539 DRWN: YMATSUMOTO 2009/09/17 CHKD: YMATSUMOTO 2009/09/17 APPR: NUKITA 2009/09/17 REV: 0	DESCRIPTION GENERAL TOLERANCES (UNLESS SPECIFIED)	10 UNDER	±0.2	DRAWN BY	DATE	TITLE		
		10 OVER 30 UNDER	±0.25	YMATSUMOTO	2009/02/02	EMBOSSED TAPE PACKAGE FOR 503398-08**		
		30 OVER	±0.3	MTOMITA	2009/02/02			
		ANGULAR ±1 °		APPROVED BY	DATE	MATERIAL NO.	DOCUMENT NO.	SHEET NO.
DRAFT WHERE APPLICABLE MUST REMAIN WITHIN DIMENSIONS				NUKITA	2009/02/02	SEE CHART	SD-503398-002	1 OF 2
				SIZE A3		THIS DRAWING CONTAINS INFORMATION THAT IS PROPRIETARY TO MOLEX INCORPORATED AND SHOULD NOT BE USED WITHOUT WRITTEN PERMISSION		

10 9 8 7 6 5 4 3 2 1



SECTION X-X

PROPOSED EC NO: J2010-03339 DRWN: YMATSUMOTO 2009/09/17 CHKD: YMATSUMOTO 2009/09/17 APPR: NUKITA 2009/09/17	GENERAL TOLERANCES (UNLESS SPECIFIED)		DIMENSION STYLE MM ONLY	SCALE 5:1	DESIGN UNITS METRIC	THIRD ANGLE PROJECTION
	10 UNDER	± 0.2	DRAWN BY YMATSUMOTO	DATE 2009/02/02	TITLE EMBOSSED TAPE PACKAGE FOR 503398-08**	
	10 OVER 30 UNDER	± 0.25	CHECKED BY MTOMITA	DATE 2009/02/02	MOLEX INCORPORATED	
	30 OVER	± 0.3	APPROVED BY NUKITA	DATE 2009/02/02	DOCUMENT NO. SD-503398-002	SHEET NO. 2 OF 2
	ANGULAR ± 1 ° DRAFT WHERE APPLICABLE MUST REMAIN WITHIN DIMENSIONS		MATERIAL NO. SEE CHART	THIS DRAWING CONTAINS INFORMATION THAT IS PROPRIETARY TO MOLEX INCORPORATED AND SHOULD NOT BE USED WITHOUT WRITTEN PERMISSION		



Компания «ЭлектроПласт» предлагает заключение долгосрочных отношений при поставках импортных электронных компонентов на взаимовыгодных условиях!

Наши преимущества:

- Оперативные поставки широкого спектра электронных компонентов отечественного и импортного производства напрямую от производителей и с крупнейших мировых складов;
- Поставка более 17-ти миллионов наименований электронных компонентов;
- Поставка сложных, дефицитных, либо снятых с производства позиций;
- Оперативные сроки поставки под заказ (от 5 рабочих дней);
- Экспресс доставка в любую точку России;
- Техническая поддержка проекта, помощь в подборе аналогов, поставка прототипов;
- Система менеджмента качества сертифицирована по Международному стандарту ISO 9001;
- Лицензия ФСБ на осуществление работ с использованием сведений, составляющих государственную тайну;
- Поставка специализированных компонентов (Xilinx, Altera, Analog Devices, Intersil, Interpoint, Microsemi, Aeroflex, Peregrine, Syfer, Eurofarad, Texas Instrument, Miteq, Cobham, E2V, MA-COM, Hittite, Mini-Circuits, General Dynamics и др.);

Помимо этого, одним из направлений компании «ЭлектроПласт» является направление «Источники питания». Мы предлагаем Вам помощь Конструкторского отдела:

- Подбор оптимального решения, техническое обоснование при выборе компонента;
- Подбор аналогов;
- Консультации по применению компонента;
- Поставка образцов и прототипов;
- Техническая поддержка проекта;
- Защита от снятия компонента с производства.



Как с нами связаться

Телефон: 8 (812) 309 58 32 (многоканальный)

Факс: 8 (812) 320-02-42

Электронная почта: org@eplast1.ru

Адрес: 198099, г. Санкт-Петербург, ул. Калинина, дом 2, корпус 4, литера А.