

## M3-F Micro-Mechatronic Focus Modules



### Precision lens control; superior image quality

M3-F focus modules add high-resolution lens motion to the smallest OEM cameras. A complete closed-loop motion solution, the M3-F module is no larger than a fixed lens holder and has low power requirements for use in battery-powered devices.

The M3-F module is a single-lens focus solution with minimal external processing requirements, making it simple and cost-effective to integrate focus into your camera system. Precise lens position control (0.5 micron resolution), best-in-class bi-directional repeatability and no hysteresis enable you to capture the sharpest images from your board-mounted camera system.

M3-F modules are designed for long life, with high-performance that is not susceptible to temperature or power variations.

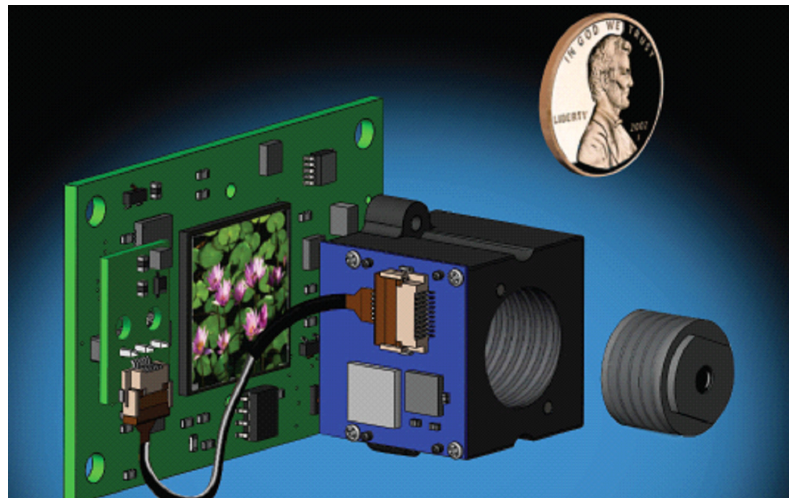
**Figure 1:**  
Features and Applications

Features	Applications
<ul style="list-style-type: none"> <li>• <b>Small:</b> complete, compact system with NO external control board</li> <li>• <b>Superior image quality:</b> no liquid medium, NONE of the attendant issues with transmission, clarity and temperature sensitivity</li> <li>• <b>Low Voltage, low power use:</b> runs on 3.3 V input, holds focus with power off</li> <li>• <b>Simple system integration:</b> accepts high-level commands over standard serial interface (I2C or SPI)</li> <li>• <b>Flexible, production-ready system:</b> compatible with M8 to M12 lenses and standard imager formats (e.g. 1/2" and 1/1.8")</li> <li>• <b>Cost-effective system solution:</b> single-lens system with embedded closed-loop drive circuit for high repeatability with low external processing requirements</li> </ul>	<p><i>Miniature, high-resolution cameras</i></p> <ul style="list-style-type: none"> <li>• Biometric systems</li> <li>• Infrared cameras</li> <li>• Medical</li> <li>• diagnostic and inspection systems</li> <li>• Machine vision</li> <li>• and industrial inspection systems</li> <li>• Conferencing systems</li> <li>• Miniature surveillance cameras, video cameras, computer cameras</li> <li>• Projectors</li> <li>• Targeting systems</li> </ul>

The M3 micro-mechatronic platform

The M3-F module is built on New Scale's M3 Micro-Mechatronic Module technology platform. The platform provides the smallest, highest resolution and most repeatable closed-loop micro-mechatronic system available – all in an easily integrated, customizable package. The platform includes a patented SQUIGGLE® RV piezo micro motor, an NSD-2101 drive ASIC, an NSE-5310 high-resolution magnetic position sensor, and a microprocessor with on-board closed loop control. These combine to create the world's smallest closed-loop linear motion system, with performance comparable to much larger systems.

**Flexibility and Precision: M3-F modules are easily integrated with your camera board and lens. The M3-F is a complete, drop-in focus solution that requires no more space than a fixed lens holder.**



**SQUIGGLE RV motor and driver inside every M3-F module is the world's smallest linear motor system.**

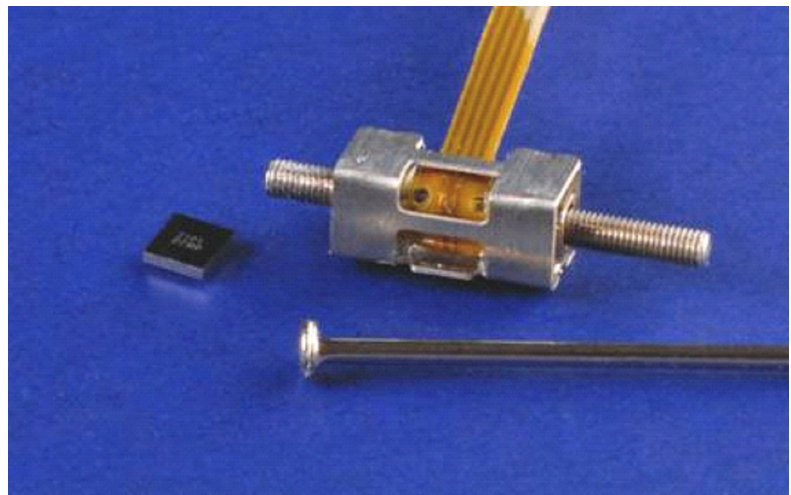


Figure 2:

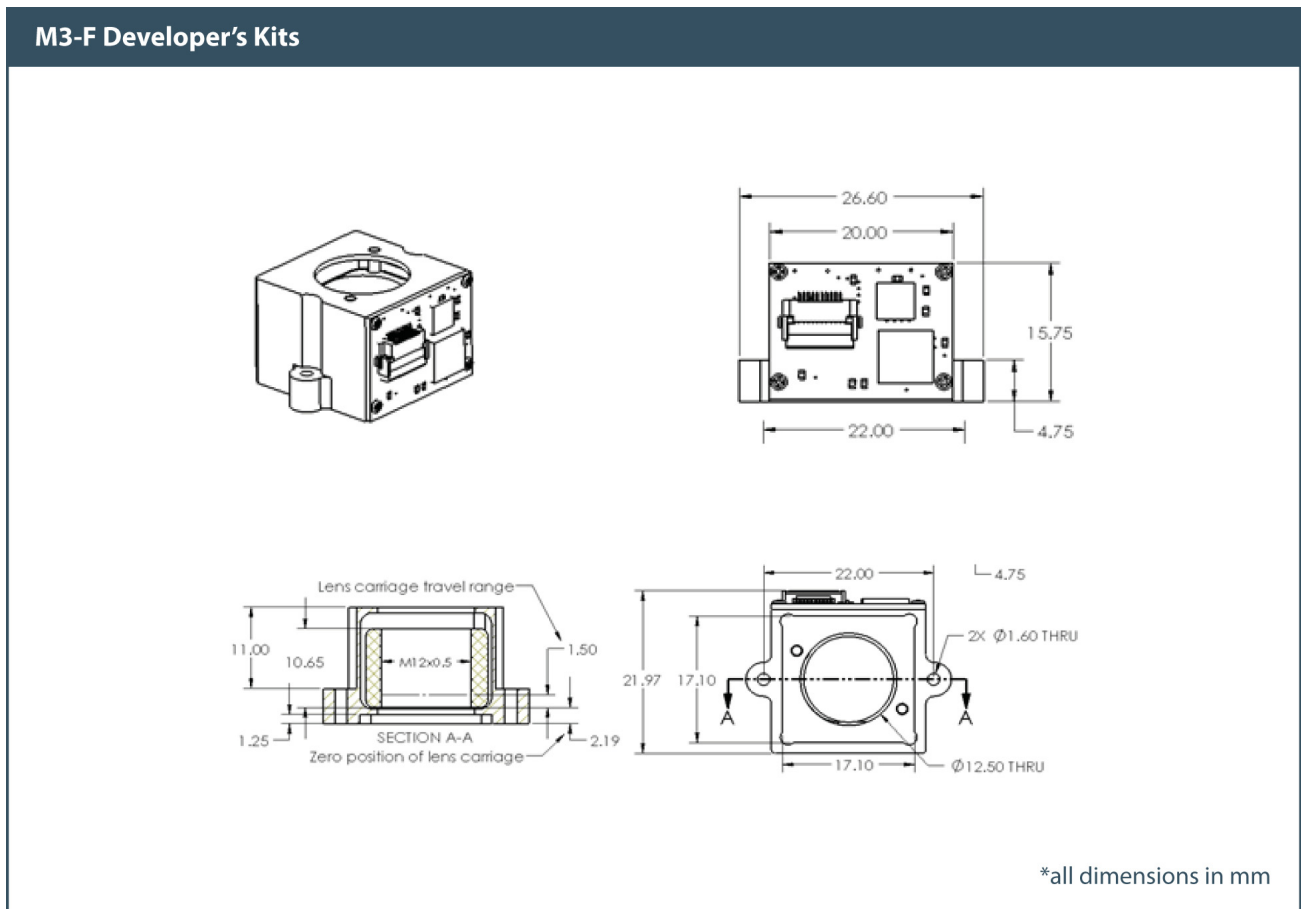


Figure 3:  
M3\_F Module Specifications

M3-F Module Specifications	
<b>Lens Type</b> (Lens not included)	Accepts M12x0.5mm smaller lenses to M8x0.35 with adapter from your lens supplier
Lens Weight *	< 5 grams
Travel Range	Up to 1.5 mm
Housing Dimension	20 x 22 x 16 mm
Max Image Sensor Area (image sensor not included)	17 x 17 x 1.25 mm (including 1/2" and 1/1.8" formats)
Speed	> 5 mm/s
Resolution	0.5 $\mu$ m
Hysteresis	None
Repeatability	Uni-directional: +/- 5 $\mu$ m Bi-directional: +/- 20 $\mu$ m
Linear Accuracy	$\pm$ 30 $\mu$ m

**Figure 3:**  
**M3\_F Module Specifications**

M3-F Module Specifications	
Angular alignment (Static tip/tilt)	<± 1 degree
Angular movement (Dynamic tip/tilt)	<± 0.15 degrees
Static Concentricity	<± 0.25 mm
Dynamic Concentricity	<± 0.02 mm
Input Voltage	3.1 to 3.6 Volts
Input Power **	< 0.5 Watts (5mm/s with 5g mass) < 0.13 Watts quiescent
Temperature /RH ***	5° to 70°C (lower possible) <70% RH non-condensing
Mean Time Before Failure	>2M Cycles (fixed orientation) 500K Cycles (random orientation)
Digital Interface	I <sup>2</sup> C or SPI
Weight of module (without lens)	5.8 grams
Compliance	CE / RoHS

\* Fixed orientation will allow for heavier lens operation

\*\* Power depends on input voltage, speed & load.

\*\*\* Consult the factory for lower temperature requirements.

**Plug-and-Play New Scale Pathway Software and Flex Cable (Detachable)**



## Reference Information

See [www.newscaletech.com/application\\_notes.html](http://www.newscaletech.com/application_notes.html)

- *Checking Optical and Imager Geometry in DK-M3-F* (design note). Lens recommendations, guidelines for image sensor and lens compatibility with the M3-F Developer's Kit module.
- *M3-F focus module in camera system design* (application note). Includes module details as well as repeatability and other performance considerations.

## Order a Developer's Kit

Order online from Digi-Key at

<http://www.digikey.com/product-detail/en/DK-M3F-1.8-TRK-1.5-S/DK-M3F-1.8-TRK-1.5-S-ND/2563770>.

**Figure 4:**  
**Model Number and Description**

Model Number	Description
DK-M3F-1.8-TRK-1.5-S	M3-F Developer's Kit including M3-F module, USB adapter (SPI), connecting cable and New Scale Pathway software.

## Application-Specific Solutions

ams/New Scale can quickly create a customized focus module to meet your more exact OEM specifications including longer travel, custom lens interface, mounting requirements and unique environmental considerations. Use the custom specification worksheet at [http://www.newscaletech.com/contact\\_AF-RFP.aspx](http://www.newscaletech.com/contact_AF-RFP.aspx)



Компания «ЭлектроПласт» предлагает заключение долгосрочных отношений при поставках импортных электронных компонентов на взаимовыгодных условиях!

Наши преимущества:

- Оперативные поставки широкого спектра электронных компонентов отечественного и импортного производства напрямую от производителей и с крупнейших мировых складов;
- Поставка более 17-ти миллионов наименований электронных компонентов;
- Поставка сложных, дефицитных, либо снятых с производства позиций;
- Оперативные сроки поставки под заказ (от 5 рабочих дней);
- Экспресс доставка в любую точку России;
- Техническая поддержка проекта, помощь в подборе аналогов, поставка прототипов;
- Система менеджмента качества сертифицирована по Международному стандарту ISO 9001;
- Лицензия ФСБ на осуществление работ с использованием сведений, составляющих государственную тайну;
- Поставка специализированных компонентов (Xilinx, Altera, Analog Devices, Intersil, Interpoint, Microsemi, Aeroflex, Peregrine, Syfer, Eurofarad, Texas Instrument, Miteq, Cobham, E2V, MA-COM, Hittite, Mini-Circuits, General Dynamics и др.);

Помимо этого, одним из направлений компании «ЭлектроПласт» является направление «Источники питания». Мы предлагаем Вам помощь Конструкторского отдела:

- Подбор оптимального решения, техническое обоснование при выборе компонента;
- Подбор аналогов;
- Консультации по применению компонента;
- Поставка образцов и прототипов;
- Техническая поддержка проекта;
- Защита от снятия компонента с производства.



#### Как с нами связаться

**Телефон:** 8 (812) 309 58 32 (многоканальный)

**Факс:** 8 (812) 320-02-42

**Электронная почта:** [org@eplast1.ru](mailto:org@eplast1.ru)

**Адрес:** 198099, г. Санкт-Петербург, ул. Калинина, дом 2, корпус 4, литера А.