

## ADM6326/ADM6328/ADM6346/ADM6348

### FEATURES

- Ultralow supply current of 1  $\mu\text{A}$  maximum (ADM6326/ADM6328)
- Accurate monitoring of 2.5 V, 3 V, 3.3 V, and 5 V rails
- Reset thresholds available in increments from 2.2 V to 4.63 V
- Glitch immunity from negative-going  $V_{CC}$  transients
- 2 reset output options
  - Push-pull  $\overline{\text{RESET}}$  (ADM6326/ADM6346)
  - Open-drain  $\overline{\text{RESET}}$  (ADM6328/ADM6348)
- Minimum reset timeout of 100 ms
- Operating temperature range of  $-40^{\circ}\text{C}$  to  $+85^{\circ}\text{C}$
- 3-lead SOT-23 package

### APPLICATIONS

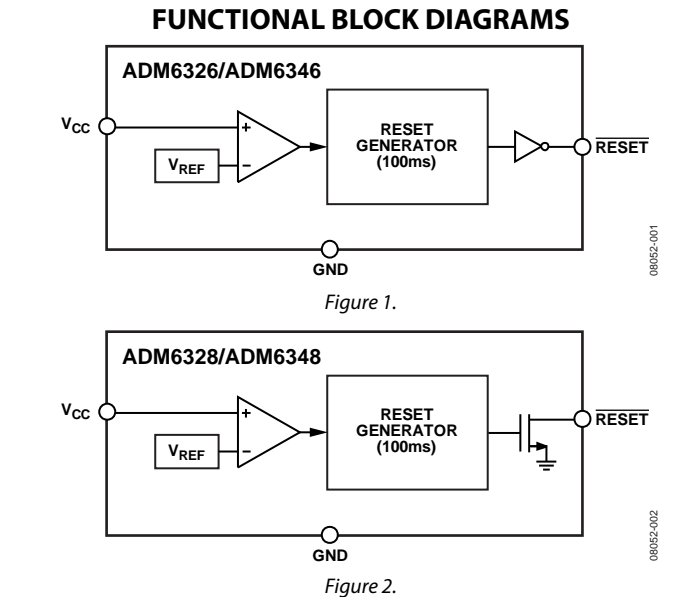
- Telecommunications
- Microprocessor systems
- Desktop and notebook computers
- Portable equipment

### GENERAL DESCRIPTION

The ADM6326/ADM6328/ADM6346/ADM6348 devices provide low cost solutions for protecting sensitive circuitry, such as microprocessor and telecommunications circuitry.

With built-in glitch immunity, ultralow supply currents, and 24 reset threshold voltage options, the ADM6326/ADM6328/ADM6346/ADM6348 not only ensure that systems are immune to fast transients on  $V_{CC}$ , but also that the devices are suitable for monitoring a variety of supply voltages in low power, portable equipment.

These devices provide a reset output during power-up, power-down, and brownout conditions. On power-up, an internal timer holds  $\overline{\text{RESET}}$  asserted for at least 100 ms. This holds the



microprocessor in a reset state until conditions have stabilized. The reset output remains operational with  $V_{CC}$  as low as 1 V.

The ADM6326 and ADM6346 have an active low push-pull reset output. The ADM6328 and ADM6348 have an active low open-drain reset output, which requires an external pull-up resistor. The ADM6326 and ADM6328 offer a choice of ten reset thresholds in increments between 2.2 V and 3.08 V, whereas the ADM6346 and ADM6348 offer a choice of 14 reset thresholds between 3.3 V and 4.63 V.

These devices are available in a 3-lead SOT-23 package and operate over the extended temperature range of  $-40^{\circ}\text{C}$  to  $+85^{\circ}\text{C}$ .

#### Rev. 0

Information furnished by Analog Devices is believed to be accurate and reliable. However, no responsibility is assumed by Analog Devices for its use, nor for any infringements of patents or other rights of third parties that may result from its use. Specifications subject to change without notice. No license is granted by implication or otherwise under any patent or patent rights of Analog Devices. Trademarks and registered trademarks are the property of their respective owners.

**TABLE OF CONTENTS**

|                                |   |  |   |
|--------------------------------|---|--|---|
| Features .....                 | 1 | Pin Configuration and Function Descriptions..... | 5 |
| Applications.....              | 1 | Typical Performance Characteristics .....        | 6 |
| Functional Block Diagrams..... | 1 | Theory of Operation .....                        | 7 |
| General Description .....      | 1 | Reset Output .....                               | 7 |
| Revision History .....         | 2 | Interfacing to Other Devices .....               | 7 |
| Specifications.....            | 3 | Transient Immunity .....                         | 7 |
| Absolute Maximum Ratings.....  | 4 | Outline Dimensions .....                         | 8 |
| Thermal Resistance .....       | 4 | Ordering Guide .....                             | 9 |
| ESD Caution.....               | 4 |  |   |

**REVISION HISTORY**

9/09—Revision 0: Initial Version

## SPECIFICATIONS

$T_A = -40^{\circ}\text{C}$  to  $+85^{\circ}\text{C}$ , unless otherwise noted. Typical values are at  $T_A = 25^{\circ}\text{C}$  and  $V_{CC} = 3\text{ V}$ . Overtemperature limits are guaranteed by design.

**Table 1.**

| Parameter                                 | Min                 | Typ      | Max              | Unit                    | Test Conditions/Comments   |   |
|---|---------------------|----------|------------------|-------------------------|--|---|
| OPERATING VOLTAGE RANGE, $V_{CC}$         | 1.0                 |          | 5.5              | V                       |  |   |
| INPUT CURRENT, $I_{CC}$                   |                     | 0.5      | 1.0              | $\mu\text{A}$           | ADM6326/ADM6328 only, $V_{CC} = 3.0\text{ V}$ for $V_{TH} \leq 2.93\text{ V}$ , $V_{CC} = 3.2\text{ V}$ for $V_{TH} > 2.93\text{ V}$ , no load |   |
|   |                     | 1.0      | 1.75             | $\mu\text{A}$           |  | $V_{CC} = 5.5\text{ V}$ , no load   |
| RESET THRESHOLD                           |                     |          |                  |                         | $T_A = 25^{\circ}\text{C}$   |   |
| Threshold Voltage, $V_{TH}$ (See Table 2) | $V_{TH} - 2.5\%$    | $V_{TH}$ | $V_{TH} + 2.5\%$ | V                       |  |   |
|   | $V_{TH} - 1.5\%$    | $V_{TH}$ | $V_{TH} + 1.5\%$ | V                       |  |   |
| Temperature Coefficient                   |                     | 40       |                  | ppm/ $^{\circ}\text{C}$ |  |   |
| Hysteresis                                |                     |          |                  | mV                      |  |   |
|   |                     | 6.3      |                  | mV                      |  |   |
|   |                     | 9.5      |                  | mV                      |  |   |
| TIMING CHARACTERISTICS                    |                     |          |                  |                         |  |   |
| $V_{CC}$ to Reset Delay ( $t_{RD}$ )      |                     | 20       |                  | $\mu\text{s}$           | $V_{CC} = V_{TH}$ to $(V_{TH} - 100\text{ mV})$  |   |
| Reset Active Timeout Period ( $t_{RP}$ )  | 100                 | 185      | 280              | ms                      |  |   |
| RESET OUTPUT VOLTAGE LOW, $V_{OL}$        |                     |          | 0.3              | V                       | $V_{CC} > 2.1\text{ V}$ , $I_{SINK} = 1.6\text{ mA}$ , reset asserted  |   |
|   |                     |          | 0.4              | V                       |  | $V_{CC} \geq 1.2\text{ V}$ , $I_{SINK} = 100\text{ }\mu\text{A}$ , reset asserted                                   |
| RESET OUTPUT VOLTAGE HIGH, $V_{OH}$       | $0.8 \times V_{CC}$ |          |                  | V                       | ADM6326 only, $V_{CC} = 3.2\text{ V}$ , $I_{SOURCE} = 500\text{ }\mu\text{A}$  |   |
|   | $0.8 \times V_{CC}$ |          |                  | V                       |  | ADM6326/ADM6346 only, $V_{CC} = 4.5\text{ V}$ , $I_{SOURCE} = 800\text{ }\mu\text{A}$ , $V_{TH} \leq 4.38\text{ V}$ |
|   | $0.8 \times V_{CC}$ |          |                  | V                       |  | ADM6326/ADM6346 only, $V_{CC} = V_{TH(MAX)}$ , $I_{SOURCE} = 800\text{ }\mu\text{A}$ , $V_{TH} \geq 4.5\text{ V}$   |
| OPEN-DRAIN RESET OUTPUT LEAKAGE CURRENT   |                     |          | 0.1              | $\mu\text{A}$           |  |   |

**Table 2. Reset Threshold Voltage**

| Parameter                            | $T_A = 25^{\circ}\text{C}$ |      |       | $T_A = -40^{\circ}\text{C}$ to $+85^{\circ}\text{C}$ |       | Unit |
|--------------------------------------|----------------------------|------|-------|--|-------|------|
|                                      | Min                        | Typ  | Max   | Min  | Max   |      |
| RESET THRESHOLD VOLTAGE ( $V_{TH}$ ) |                            |      |       |  |       |      |
| ADM632x-22                           | 2.167                      | 2.2  | 2.233 | 2.145  | 2.25  | V    |
| ADM632x-23                           | 2.285                      | 2.32 | 2.355 | 2.262  | 2.375 | V    |
| ADM632x-24                           | 2.364                      | 2.4  | 2.436 | 2.34   | 2.46  | V    |
| ADM632x-25                           | 2.462                      | 2.5  | 2.537 | 2.437  | 2.562 | V    |
| ADM632x-26                           | 2.591                      | 2.63 | 2.669 | 2.564  | 2.696 | V    |
| ADM632x-27                           | 2.66                       | 2.7  | 2.741 | 2.633  | 2.768 | V    |
| ADM632x-28                           | 2.758                      | 2.8  | 2.842 | 2.73   | 2.87  | V    |
| ADM632x-29                           | 2.886                      | 2.93 | 2.974 | 2.857  | 3.0   | V    |
| ADM632x-30                           | 2.955                      | 3.00 | 3.045 | 2.925  | 3.075 | V    |
| ADM632x-31                           | 3.034                      | 3.08 | 3.126 | 3.003  | 3.15  | V    |
| ADM634x-33                           | 3.25                       | 3.3  | 3.35  | 3.217  | 3.383 | V    |
| ADM634x-34                           | 3.349                      | 3.4  | 3.451 | 3.315  | 3.485 | V    |
| ADM634x-35                           | 3.447                      | 3.5  | 3.552 | 3.412  | 3.587 | V    |
| ADM634x-36                           | 3.546                      | 3.6  | 3.654 | 3.51   | 3.69  | V    |
| ADM634x-37                           | 3.644                      | 3.7  | 3.755 | 3.607  | 3.792 | V    |
| ADM634x-38                           | 3.743                      | 3.8  | 3.857 | 3.705  | 3.895 | V    |
| ADM634x-39                           | 3.841                      | 3.9  | 3.958 | 3.802  | 3.997 | V    |
| ADM634x-40                           | 3.94                       | 4.0  | 4.06  | 3.9  | 4.1   | V    |
| ADM634x-41                           | 4.038                      | 4.1  | 4.161 | 3.997  | 4.202 | V    |
| ADM634x-42                           | 4.137                      | 4.2  | 4.263 | 4.095  | 4.305 | V    |
| ADM634x-43                           | 4.235                      | 4.3  | 4.364 | 4.192  | 4.407 | V    |
| ADM634x-44                           | 4.314                      | 4.38 | 4.446 | 4.27   | 4.489 | V    |
| ADM634x-45                           | 4.432                      | 4.5  | 4.567 | 4.387  | 4.612 | V    |
| ADM634x-46                           | 4.56                       | 4.63 | 4.699 | 4.514  | 4.746 | V    |

## ABSOLUTE MAXIMUM RATINGS

Table 3.

| Parameter                             | Rating                        |
|---------------------------------------|-------------------------------|
| Supply Voltage, $V_{CC}$              | -0.3 V to +6 V                |
| Input Current, $I_{CC}$               | 20 mA                         |
| Output Voltage                        |                               |
| Push-Pull $\overline{RESET}$          | -0.3 V to ( $V_{CC} + 0.3$ V) |
| Open-Drain $\overline{RESET}$         | -0.3 V to +6 V                |
| Output Current ( $\overline{RESET}$ ) | 20 mA                         |
| Rate of Rise of $V_{CC}$              | 100 V/ $\mu$ s                |
| Temperature                           |                               |
| Storage                               | -65°C to +155°C               |
| Operating                             | -40°C to +85°C                |
| Soldering (10 sec)                    | 300°C                         |

Stresses above those listed under Absolute Maximum Ratings may cause permanent damage to the device. This is a stress rating only; functional operation of the device at these or any other conditions above those indicated in the operational section of this specification is not implied. Exposure to absolute maximum rating conditions for extended periods may affect device reliability.

## THERMAL RESISTANCE

$\theta_{JA}$  is specified for the worst-case conditions, that is, a device soldered in a circuit board for surface-mount packages.

Table 4. Thermal Resistance

| Package Type  | $\theta_{JA}$ | Unit |
|---------------|---------------|------|
| 3-Lead SOT-23 | 270           | °C/W |

## ESD CAUTION



**ESD (electrostatic discharge) sensitive device.** Charged devices and circuit boards can discharge without detection. Although this product features patented or proprietary protection circuitry, damage may occur on devices subjected to high energy ESD. Therefore, proper ESD precautions should be taken to avoid performance degradation or loss of functionality.

## PIN CONFIGURATION AND FUNCTION DESCRIPTIONS



Figure 3. ADM6326/ADM6328/ADM6346/ADM6348 Pin Configuration

Table 5. Pin Function Descriptions

| Pin No. | Mnemonic | Description   |
|---------|----------|---|
| 1       | GND      | Ground Reference for All Signals; 0 V.  |
| 2       | RESET    | Active Low Logic Output. This pin is low when $V_{CC}$ is less than the reset threshold; it remains low for 185 ms (typical) after $V_{CC}$ becomes greater than the reset threshold. |
| 3       | $V_{CC}$ | Supply Voltage Being Monitored.   |

TYPICAL PERFORMANCE CHARACTERISTICS



Figure 4. Supply Current vs. Temperature

08052-004



Figure 6. Power-Up Reset Timeout vs. Temperature

08052-007



Figure 5. Maximum Transient Duration vs. Reset Threshold Overdrive

08052-008



Figure 7. Power-Down Reset Delay vs. Temperature

08052-005

## THEORY OF OPERATION

The ADM6326/ADM6328/ADM6346/ADM6348 are designed to protect the integrity of a system's operation by ensuring the proper operation of the system during power-up, power-down, and brownout conditions. Ultralow supply currents make these devices particularly suitable for use in low power, portable equipment.

### RESET OUTPUT

The ADM6326 and ADM6346 have an active low, push-pull reset output, whereas the ADM6328 and ADM6348 have an active low, open-drain reset output, which requires an external pull-up resistor. The RESET signal is guaranteed to be valid for  $V_{CC}$  down to 1 V.

When the ADM6326/ADM6328/ADM6346/ADM6348 are powered up, the RESET output remains low for a period typically equal to the RESET active timeout period of 185 ms. This feature allows adequate time for the system to power up correctly and for the power supply to stabilize before any devices are brought out of reset and are allowed to begin executing instructions. Initializing a system in this way provides a more reliable startup for microprocessor systems.

When the monitored voltage falls below its associated threshold ( $V_{TH}$ ), RESET is asserted within 20  $\mu$ s (typical). Asserting RESET this quickly means that the entire system can be reset at once before any part of the system's voltage falls below its recommended operating voltage. This system reset can avoid dangerous and/or erroneous operation of a microprocessor based system.

### INTERFACING TO OTHER DEVICES

The active low, open-drain reset output of the ADM6328 and ADM6348 makes these devices ideal for integration with devices such as microprocessors with bidirectional reset pins. Simply connect the RESET output of the ADM6328 or ADM6348 to the RESET input of the microprocessor using a single pull-up resistor to allow either device to initiate a system reset (see Figure 8).

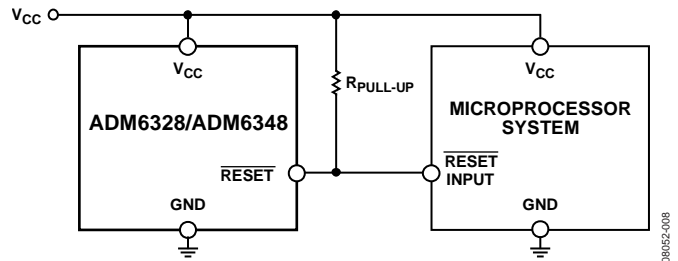


Figure 8. Interfacing to a Microprocessor with a Bidirectional Reset Pin

### TRANSIENT IMMUNITY

To avoid unnecessary resets caused by fast power supply transients, the ADM6326/ADM6328/ADM6346/ADM6348 provide glitch immunity from negative-going  $V_{CC}$  transients.

Figure 5 shows the RESET comparator overdrive (that is, the maximum magnitude of negative-going pulses with respect to the typical threshold) vs. the pulse duration without a reset.



Figure 9. RESET Timing

OUTLINE DIMENSIONS



COMPLIANT TO JEDEC STANDARDS TO-236-AB

Figure 10. 3-Lead Small Outline Transistor Package [SOT-23-3] (RT-3)

Dimensions shown in millimeters

011909-C



## ORDERING GUIDE

| Model <sup>1</sup>                | Typical Threshold Voltage (T <sub>A</sub> = 25°C) | RESET Output Structure | Package Description | Package Option | Branding |
|-----------------------------------|---|------------------------|---------------------|----------------|----------|
| ADM6326-22ARTZ-R7 <sup>2, 3</sup> | 2.2 V   | Push-Pull              | 3-Lead SOT-23       | RT-3           | LAQ      |
| ADM6326-23ARTZ-R7 <sup>2</sup>    | 2.32 V  | Push-Pull              | 3-Lead SOT-23       | RT-3           | LAR      |
| ADM6326-24ARTZ-R7 <sup>2</sup>    | 2.4 V   | Push-Pull              | 3-Lead SOT-23       | RT-3           | LAS      |
| ADM6326-25ARTZ-R7 <sup>2</sup>    | 2.5 V   | Push-Pull              | 3-Lead SOT-23       | RT-3           | LAT      |
| ADM6326-26ARTZ-R7 <sup>2</sup>    | 2.63 V  | Push-Pull              | 3-Lead SOT-23       | RT-3           | LAU      |
| ADM6326-27ARTZ-R7 <sup>2</sup>    | 2.7 V   | Push-Pull              | 3-Lead SOT-23       | RT-3           | LAV      |
| ADM6326-28ARTZ-R7 <sup>2</sup>    | 2.8 V   | Push-Pull              | 3-Lead SOT-23       | RT-3           | LAW      |
| ADM6326-29ARTZ-R7 <sup>2</sup>    | 2.93 V  | Push-Pull              | 3-Lead SOT-23       | RT-3           | LAX      |
| ADM6326-30ARTZ-R7 <sup>2</sup>    | 3.0 V   | Push-Pull              | 3-Lead SOT-23       | RT-3           | LAY      |
| ADM6326-31ARTZ-R7 <sup>2</sup>    | 3.08 V  | Push-Pull              | 3-Lead SOT-23       | RT-3           | LAZ      |
| ADM6328-22ARTZ-R7 <sup>2</sup>    | 2.2 V   | Open-Drain             | 3-Lead SOT-23       | RT-3           | LB0      |
| ADM6328-23ARTZ-R7 <sup>2</sup>    | 2.32 V  | Open-Drain             | 3-Lead SOT-23       | RT-3           | LB1      |
| ADM6328-24ARTZ-R7 <sup>2</sup>    | 2.4 V   | Open-Drain             | 3-Lead SOT-23       | RT-3           | LB2      |
| ADM6328-25ARTZ-R7 <sup>2</sup>    | 2.5 V   | Open-Drain             | 3-Lead SOT-23       | RT-3           | LB3      |
| ADM6328-26ARTZ-R7 <sup>2</sup>    | 2.63 V  | Open-Drain             | 3-Lead SOT-23       | RT-3           | LB4      |
| ADM6328-27ARTZ-R7 <sup>2</sup>    | 2.7 V   | Open-Drain             | 3-Lead SOT-23       | RT-3           | LB5      |
| ADM6328-28ARTZ-R7 <sup>2, 3</sup> | 2.8 V   | Open-Drain             | 3-Lead SOT-23       | RT-3           | LB6      |
| ADM6328-29ARTZ-R7 <sup>2</sup>    | 2.93 V  | Open-Drain             | 3-Lead SOT-23       | RT-3           | LB7      |
| ADM6328-30ARTZ-R7 <sup>2</sup>    | 3.0 V   | Open-Drain             | 3-Lead SOT-23       | RT-3           | LB8      |
| ADM6328-31ARTZ-R7 <sup>2</sup>    | 3.08 V  | Open-Drain             | 3-Lead SOT-23       | RT-3           | LB9      |
| ADM6346-33ARTZ-R7 <sup>2, 3</sup> | 3.3 V   | Push-Pull              | 3-Lead SOT-23       | RT-3           | LBA      |
| ADM6346-34ARTZ-R7 <sup>2</sup>    | 3.4 V   | Push-Pull              | 3-Lead SOT-23       | RT-3           | LBC      |
| ADM6346-35ARTZ-R7 <sup>2</sup>    | 3.5 V   | Push-Pull              | 3-Lead SOT-23       | RT-3           | LBD      |
| ADM6346-36ARTZ-R7 <sup>2</sup>    | 3.6 V   | Push-Pull              | 3-Lead SOT-23       | RT-3           | LBE      |
| ADM6346-37ARTZ-R7 <sup>2</sup>    | 3.7 V   | Push-Pull              | 3-Lead SOT-23       | RT-3           | LBF      |
| ADM6346-38ARTZ-R7 <sup>2</sup>    | 3.8 V   | Push-Pull              | 3-Lead SOT-23       | RT-3           | LBG      |
| ADM6346-39ARTZ-R7 <sup>2</sup>    | 3.9 V   | Push-Pull              | 3-Lead SOT-23       | RT-3           | LBH      |
| ADM6346-40ARTZ-R7 <sup>2</sup>    | 3.0 V   | Push-Pull              | 3-Lead SOT-23       | RT-3           | LCN      |
| ADM6346-41ARTZ-R7 <sup>2</sup>    | 4.1 V   | Push-Pull              | 3-Lead SOT-23       | RT-3           | LCP      |
| ADM6346-42ARTZ-R7 <sup>2</sup>    | 4.2 V   | Push-Pull              | 3-Lead SOT-23       | RT-3           | LCQ      |
| ADM6346-43ARTZ-R7 <sup>2</sup>    | 4.3 V   | Push-Pull              | 3-Lead SOT-23       | RT-3           | LCR      |
| ADM6346-44ARTZ-R7 <sup>2</sup>    | 4.38 V  | Push-Pull              | 3-Lead SOT-23       | RT-3           | LCS      |
| ADM6346-45ARTZ-R7 <sup>2</sup>    | 4.5 V   | Push-Pull              | 3-Lead SOT-23       | RT-3           | LCT      |
| ADM6346-46ARTZ-R7 <sup>2</sup>    | 4.63 V  | Push-Pull              | 3-Lead SOT-23       | RT-3           | LCU      |
| ADM6348-33ARTZ-R7 <sup>2</sup>    | 3.3 V   | Open-Drain             | 3-Lead SOT-23       | RT-3           | LCV      |
| ADM6348-34ARTZ-R7 <sup>2</sup>    | 3.4 V   | Open-Drain             | 3-Lead SOT-23       | RT-3           | LCW      |
| ADM6348-35ARTZ-R7 <sup>2</sup>    | 3.5 V   | Open-Drain             | 3-Lead SOT-23       | RT-3           | LCX      |
| ADM6348-36ARTZ-R7 <sup>2</sup>    | 3.6 V   | Open-Drain             | 3-Lead SOT-23       | RT-3           | LCY      |
| ADM6348-37ARTZ-R7 <sup>2</sup>    | 3.7 V   | Open-Drain             | 3-Lead SOT-23       | RT-3           | LCZ      |
| ADM6348-38ARTZ-R7 <sup>2</sup>    | 3.8 V   | Open-Drain             | 3-Lead SOT-23       | RT-3           | LD0      |
| ADM6348-39ARTZ-R7 <sup>2</sup>    | 3.9 V   | Open-Drain             | 3-Lead SOT-23       | RT-3           | LD1      |
| ADM6348-40ARTZ-R7 <sup>2</sup>    | 3.0 V   | Open-Drain             | 3-Lead SOT-23       | RT-3           | LD2      |
| ADM6348-41ARTZ-R7 <sup>2</sup>    | 4.1 V   | Open-Drain             | 3-Lead SOT-23       | RT-3           | LD3      |
| ADM6348-42ARTZ-R7 <sup>2</sup>    | 4.2 V   | Open-Drain             | 3-Lead SOT-23       | RT-3           | LD4      |
| ADM6348-43ARTZ-R7 <sup>2</sup>    | 4.3 V   | Open-Drain             | 3-Lead SOT-23       | RT-3           | LD5      |
| ADM6348-44ARTZ-R7 <sup>2</sup>    | 4.38 V  | Open-Drain             | 3-Lead SOT-23       | RT-3           | LD6      |
| ADM6348-45ARTZ-R7 <sup>2</sup>    | 4.5 V   | Open-Drain             | 3-Lead SOT-23       | RT-3           | LD7      |
| ADM6348-46ARTZ-R7 <sup>2, 3</sup> | 4.63 V  | Open-Drain             | 3-Lead SOT-23       | RT-3           | LD8      |

<sup>1</sup> Contact sales for the availability of nonstandard models.

<sup>2</sup> Z = RoHS Compliant Part.

<sup>3</sup> Standard model.

**NOTES**

**NOTES**

**NOTES**



Компания «ЭлектроПласт» предлагает заключение долгосрочных отношений при поставках импортных электронных компонентов на взаимовыгодных условиях!

Наши преимущества:

- Оперативные поставки широкого спектра электронных компонентов отечественного и импортного производства напрямую от производителей и с крупнейших мировых складов;
- Поставка более 17-ти миллионов наименований электронных компонентов;
- Поставка сложных, дефицитных, либо снятых с производства позиций;
- Оперативные сроки поставки под заказ (от 5 рабочих дней);
- Экспресс доставка в любую точку России;
- Техническая поддержка проекта, помощь в подборе аналогов, поставка прототипов;
- Система менеджмента качества сертифицирована по Международному стандарту ISO 9001;
- Лицензия ФСБ на осуществление работ с использованием сведений, составляющих государственную тайну;
- Поставка специализированных компонентов (Xilinx, Altera, Analog Devices, Intersil, Interpoint, Microsemi, Aeroflex, Peregrine, Syfer, Eurofarad, Texas Instrument, Miteq, Cobham, E2V, MA-COM, Hittite, Mini-Circuits, General Dynamics и др.);

Помимо этого, одним из направлений компании «ЭлектроПласт» является направление «Источники питания». Мы предлагаем Вам помощь Конструкторского отдела:

- Подбор оптимального решения, техническое обоснование при выборе компонента;
- Подбор аналогов;
- Консультации по применению компонента;
- Поставка образцов и прототипов;
- Техническая поддержка проекта;
- Защита от снятия компонента с производства.



#### Как с нами связаться

**Телефон:** 8 (812) 309 58 32 (многоканальный)

**Факс:** 8 (812) 320-02-42

**Электронная почта:** [org@eplast1.ru](mailto:org@eplast1.ru)

**Адрес:** 198099, г. Санкт-Петербург, ул. Калинина, дом 2, корпус 4, литера А.