

# DBL5W5P300G30LF

## REFERENCE SPECIFICATIONS

-NFC 93425 (in compliance with HE 507)

## PHYSICAL CHARACTERISTICS

- INSULATOR MATERIAL: THERMOPLASTIC UL94V0
- CONTACT MATERIAL: BRASS
- ACCESSORIES: BRASS
- SHELLS: STEEL

## ELECTRICAL CHARACTERISTICS

- NOMINAL CURRENT: 30A or 40A
- CONTACT RESISTANCE: 7.3 m ohms
- CONTACT/CONTACT : 1000 V
- CONTACT/GROUND : 1200 V
- INSULATION RESISTANCE: 5000 MOhms

## ENVIRONMENTAL CHARACTERISTICS

- CLIMATIC CATEGORY: 55/125/21
- TEMPERATURE RANGE -55°C TO +125°C
- DAMP HEAT STEADY STATE 21 DAYS
- SALT SPRAY 24 HOURS

## MECHANICAL CHARACTERISTICS

- RETENTION AGAINST TORQUE: - Threaded insert: 0.7 N.m minimum
- Female screw : 0.5 N.m minimum

Series

Shell size: **E A B C**  
see sheet 2

Front accessory definition  
see sheet 2

- L** : threaded insert M3
- O** : threaded insert UNC 4-40
- V** : female screw UNC 4-40
- I** : female screw M3

Layout of contacts (see sheet 3)

Contacts

**P** : Pin

Termination type

**3** Straight version

Plating

- 00** 200 matings/unmatings
- 43** 500 matings/unmatings

PCB accessories definition  
see sheet 2

- H** : harpoons for PCB 2.40mm
- G** : harpoons for PCB 1.60mm

Power contacts

- 00** : Not fitted with power contact (signal contacts always fitted)
- 30** : Fitted with power contacts 30 Amp.
- 40** : Fitted with power contacts 40 Amp.

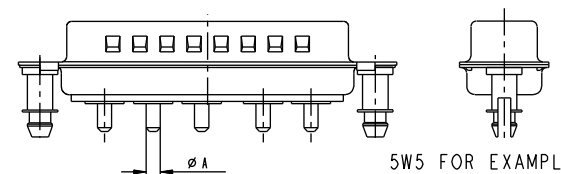
See note RoHS

## NOTE RoHS INFORMATION

- The "LF" products meet european union Directives and other country regulations as described in GS-22-008.
- The housing will withstand exposure to 260°C peak temperature for 3.5 seconds in a wave solder application with a 1.6mm minimum thick circuit board. See application notes/procedures if they are available.
- Termination plating spec:
  - Ni 1.27µm+Sn 2.5 to 7.5µ(pure bright)
- Active area plating spec:
  - Ni + Gold
- Shell plating : 2 to 4µm Cu + 3 to 10µmm Sn(pure bright)
- Accessories: Sn pure bright
- Packaging spec: See GS-14-920

TABLE 1:PCB HOLE DIAMETERS

POWER CONTACTS			ACCESSORIES
30 A	2.00	ø2.40	ø3.10
40 A	2.80	3.10	
Max current power	øA +0.1 0	PCB HOLE +/-0.1	PCB HOLE +/-0.1



www.fciconnect.com		surface ISO 1302	tolerance std ISO 406 ISO 1101	projection	mm
		TOLERANCES UNLESS OTHERWISE SPECIFIED		size A2	Scale 2:1
Dr	M PESSON	2005-10-11	ANGULAR	0.X ±0.3	
Eng	P LEGARE	2005-10-11	LINEAR	0.XX ±0.1	
Chr			0° ±2°	0.XXX ±0.05	ECN F09-0092
Appr			Product family		Spec ref

rev	ecn no	dr	date	title	part no	Rev.
A	LS05-0113	MPE	2005-10-11	SUB MALE DW	C01-8639-2314	G
B	LS06-0208	LGO	2006-12-13	full power straight solder		
C	LS07-0165	MPE	2007/06/14			
D	LS07-0213	MPE	2007/11/05			
E	LS09-0027	MPE	2009/01/21			
F	F09-0063	LSA	2009-07-15			
G	F09-0092	LSA	2009-09-25			



FRONT ACCESSORY	<b>L</b> insert M3 <b>O</b> insert UNC 4.40	<b>V</b> Female screw UNC 4.40 <b>I</b> Female screw M3	<b>L</b> insert M3 <b>O</b> insert UNC 4.40	<b>V</b> Female screw UNC 4.40 <b>I</b> Female screw M3
PCB ACCESSORIES	<b>G</b> Harpoon for PCB 1.60mm	<b>G</b> Harpoon for PCB 1.60mm	<b>H</b> Harpoon for PCB 2.40mm	<b>H</b> Harpoon for PCB 2.40mm

PART NUMBER	AMPS	MATINGS/ UNMATINGS	FRONT ACCESSORY	PCB ACCESSORIES
D*LxWxP300G30LF	30	200	insert M3	harpoon PCB 1.60mm
D*OxWxP300G30LF	30	200	insert UNC 4.40	harpoon PCB 1.60mm
D*VxWxP300G30LF	30	200	female screw UNC 4.40	harpoon PCB 1.60mm
D*IxWxP300G30LF	30	200	female screw M3	harpoon PCB 1.60mm
D*LxWxP300H30LF	30	200	insert M3	harpoon PCB 2.40mm
D*OxWxP300H30LF	30	200	insert UNC 4.40	harpoon PCB 2.40mm
D*VxWxP300H30LF	30	200	female screw UNC 4.40	harpoon PCB 2.40mm
D*IxWxP300H30LF	30	200	female screw M3	harpoon PCB 2.40mm
D*LxWxP300G40LF	40	200	insert M3	harpoon PCB 1.60mm
D*OxWxP300G40LF	40	200	insert UNC 4.40	harpoon PCB 1.60mm
D*VxWxP300G40LF	40	200	female screw UNC 4.40	harpoon PCB 1.60mm
D*IxWxP300G40LF	40	200	female screw M3	harpoon PCB 1.60mm
D*LxWxP300H40LF	40	200	insert M3	harpoon PCB 2.40mm
D*OxWxP300H40LF	40	200	insert UNC 4.40	harpoon PCB 2.40mm
D*VxWxP300H40LF	40	200	female screw UNC 4.40	harpoon PCB 2.40mm
D*IxWxP300H40LF	40	200	female screw M3	harpoon PCB 2.40mm

shell size \*  
E 2V2  
A 3V3  
A 3W3  
B 5W5  
C 8W8

PART NUMBER	AMPS	MATINGS/ UNMATINGS	FRONT ACCESSORY	PCB ACCESSORIES
D*LxWxP343G30LF	30	500	insert M3	harpoon PCB 1.60mm
D*OxWxP343G30LF	30	500	insert UNC 4.40	harpoon PCB 1.60mm
D*VxWxP343G30LF	30	500	female screw UNC 4.40	harpoon PCB 1.60mm
D*IxWxP343G30LF	30	500	female screw M3	harpoon PCB 1.60mm
D*LxWxP343H30LF	30	500	insert M3	harpoon PCB 2.40mm
D*OxWxP343H30LF	30	500	insert UNC 4.40	harpoon PCB 2.40mm
D*VxWxP343H30LF	30	500	female screw UNC 4.40	harpoon PCB 2.40mm
D*IxWxP343H30LF	30	500	female screw M3	harpoon PCB 2.40mm
D*LxWxP343G40LF	40	500	insert M3	harpoon PCB 1.60mm
D*OxWxP343G40LF	40	500	insert UNC 4.40	harpoon PCB 1.60mm
D*VxWxP343G40LF	40	500	female screw UNC 4.40	harpoon PCB 1.60mm
D*IxWxP343G40LF	40	500	female screw M3	harpoon PCB 1.60mm
D*LxWxP343H40LF	40	500	insert M3	harpoon PCB 2.40mm
D*OxWxP343H40LF	40	500	insert UNC 4.40	harpoon PCB 2.40mm
D*VxWxP343H40LF	40	500	female screw UNC 4.40	harpoon PCB 2.40mm
D*IxWxP343H40LF	40	500	female screw M3	harpoon PCB 2.40mm

Copyright FCI.  
FCI

www.fciconnect.com		surface - ISO 1302	tolerance std ISO 406 ISO 1101	projection	mm
TOLERANCES UNLESS OTHERWISE SPECIFIED					
Dr	M PESSON	2005-10-11	ANGULAR	0.X ±0.3	size A2
Eng	P LEGARE	2005-10-11	LINEAR	0.XXX ±0.1	Scale 2:1
Chr			0° ±2°	0.05	ECN F09-0092
Appr			Product family		Spec ref

SCALE: 4

FCI	TITLE SUB MALE DW	eng no C01-8639-2314	Rev. G
	full power straight solder		

2V2

LAYOUT AND CONNECTOR DIMENSIONS  
For PCB hole diameters see table 1 sheet 1



3V3

LAYOUT AND CONNECTOR DIMENSIONS  
For PCB hole diameters see table 1 sheet 1



3W3

LAYOUT AND CONNECTOR DIMENSIONS  
For PCB hole diameters see table 1 sheet 1



SIDE VIEW FOR  
LAYOUTS: E A B C



Cote "A"

30A	3.1 ± 0.25
40A	3.6 ± 0.25

Copyright FCI.  
FCI

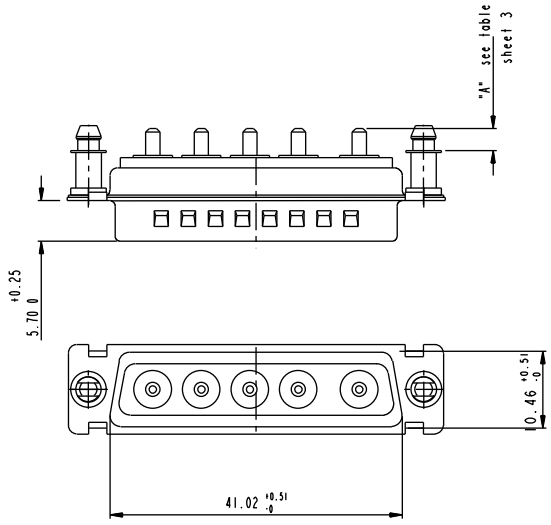
www.fciconnect.com		surface - ISO 1302	tolerance std ISO 406 ISO 1101	projection	mm
TOLERANCES UNLESS OTHERWISE SPECIFIED					
Dr	M PESSON	2005-10-11	ANGULAR	0.X	±0.3
Eng	P LEGARE	2005-10-11	LINEAR	0.XX	±0.1
Chr			0°	±2°	
Appr			Product family		Spec ref

FCI	Rev. G	title	SUB MALE DW	part no	C01-8639-2314	Rev.	G
			full power straight solder				

### 5W5

LAYOUT AND CONNECTOR DIMENSIONS

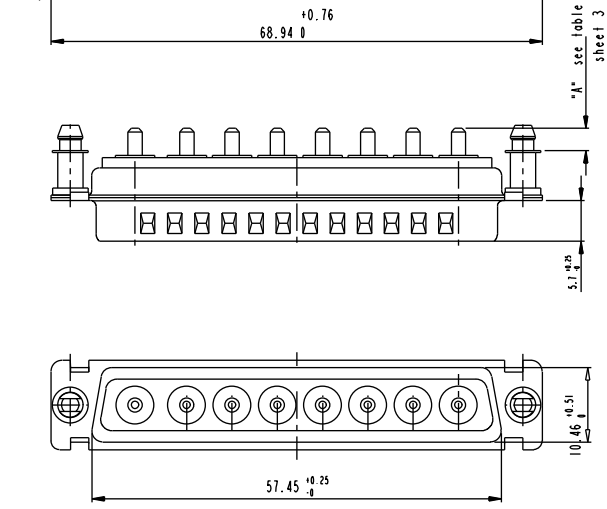
For PCB hole diameters see table 1 sheet 1

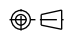



### 8W8

LAYOUT AND CONNECTOR DIMENSIONS

For PCB hole diameters see table 1 sheet 1



www.fciconnect.com		surface ISO 1302	tolerance std ISO 406 ISO 1101	projection 	mm
TOLERANCES UNLESS OTHERWISE SPECIFIED					
Dr	M PESSON	2005-10-11	ANGULAR	0.X ±0.3	size A2
Eng	P LEGARE	2005-10-11	LINEAR	0.XX ±0.1	Scale 2:1
Chr			0° ±2°	0.XXX ±0.05	ECN F09-0092
Appr			Product family		Spec ref

	TITLE SUB MALE DW full power straight solder	part no C01-8639-2314	Rev. G
---	--	--------------------------	-----------



Компания «ЭлектроПласт» предлагает заключение долгосрочных отношений при поставках импортных электронных компонентов на взаимовыгодных условиях!

Наши преимущества:

- Оперативные поставки широкого спектра электронных компонентов отечественного и импортного производства напрямую от производителей и с крупнейших мировых складов;
- Поставка более 17-ти миллионов наименований электронных компонентов;
- Поставка сложных, дефицитных, либо снятых с производства позиций;
- Оперативные сроки поставки под заказ (от 5 рабочих дней);
- Экспресс доставка в любую точку России;
- Техническая поддержка проекта, помощь в подборе аналогов, поставка прототипов;
- Система менеджмента качества сертифицирована по Международному стандарту ISO 9001;
- Лицензия ФСБ на осуществление работ с использованием сведений, составляющих государственную тайну;
- Поставка специализированных компонентов (Xilinx, Altera, Analog Devices, Intersil, Interpoint, Microsemi, Aeroflex, Peregrine, Syfer, Eurofarad, Texas Instrument, Miteq, Cobham, E2V, MA-COM, Hittite, Mini-Circuits, General Dynamics и др.);

Помимо этого, одним из направлений компании «ЭлектроПласт» является направление «Источники питания». Мы предлагаем Вам помощь Конструкторского отдела:

- Подбор оптимального решения, техническое обоснование при выборе компонента;
- Подбор аналогов;
- Консультации по применению компонента;
- Поставка образцов и прототипов;
- Техническая поддержка проекта;
- Защита от снятия компонента с производства.



#### Как с нами связаться

**Телефон:** 8 (812) 309 58 32 (многоканальный)

**Факс:** 8 (812) 320-02-42

**Электронная почта:** [org@eplast1.ru](mailto:org@eplast1.ru)

**Адрес:** 198099, г. Санкт-Петербург, ул. Калинина, дом 2, корпус 4, литера А.