

REFERENCE SPECIFICATIONS

-NFC 93425 (in compliance with HE 507)

PHYSICAL CHARACTERISTICS

- INSULATOR MATERIAL: THERMOPLASTIC UL94V0
- CONTACT MATERIAL: BRASS
- ACCESSORIES: BRASS
- SHELLS: STEEL

ELECTRICAL CHARACTERISTICS

- NOMINAL CURRENT: 30A or 40A
- CONTACT RESISTANCE: 7.3 m ohms
- CONTACT/CONTACT : 1000 V
- CONTACT/GROUND : 1200 V
- INSULATION RESISTANCE: 5000 MOhms

ENVIRONMENTAL CHARACTERISTICS

- CLIMATIC CATEGORY: 55/125/21
- TEMPERATURE RANGE -55°C TO +125°C
- DAMP HEAT STEADY STATE 21 DAYS
- SALT SPRAY 24 HOURS

MECHANICAL CHARACTERISTICS

- RETENTION AGAINST TORQUE: - Threaded insert: 0.7 N.m minimum
- Female screw : 0.5 N.m minimum

NOTE RoHS INFORMATION

- The "LF" products meet european union Directives and other country regulations as described in GS-22-008.
- The housing will withstand exposure to 260°C peak temperature for 3.5 seconds in a wave solder application with a 1.6mm minimum thick circuit board. See application notes/procedures if they are available.
- Termination plating spec:
 - Ni 1.27µm+Sn 2.5 to 7.5µ(pure bright)
- Active area plating spec:
 - Ni + Gold
- Shell plating :2 to 4µm Cu + 3 to 10µm Sn(pure bright)
- Accessories: Sn pure bright
- Packaging spec: See GS-14-920

DBL5W5P300G30LF

Series

Shell size: **E A B C**
see sheet 2

Front accessory definition
see sheet 2

- L** : threaded insert M3
- O** : threaded insert UNC 4-40
- V** : female screw UNC 4-40
- I** : female screw M3

Layout of contacts (see sheet 3)

Contacts

P : Pin

Termination type

3 Straight version

Plating

- 00** 200 matings/unmatings
- 43** 500 matings/unmatings

PCB accessories definition
see sheet 2

- H** : harpoons for PCB 2.40mm
- G** : harpoons for PCB 1.60mm

Power contacts

- 00** : Not fitted with power contact (signal contacts always fitted)
- 30** : Fitted with power contacts 30 Amp.
- 40** : Fitted with power contacts 40 Amp.

See note RoHS

TABLE 1:PCB HOLE DIAMETERS

| POWER CONTACTS | | | ACCESSORIES |
|-------------------|--------------|------------------|------------------|
| 30 A | 2.00 | ø2.40 | ø3.10 |
| 40 A | 2.80 | 3.10 | |
| Max current power | øA +0.1 0 | PCB HOLE +/ -0.1 | PCB HOLE +/ -0.1 |



| | | | | | |
|---------------------------------------|-------------------------|------------------|--------------------------------|--------------|-----------|
| www.fciconnect.com | | surface ISO 1302 | tolerance std ISO 406 ISO 1101 | projection | mm |
| TOLERANCES UNLESS OTHERWISE SPECIFIED | | ANGULAR 0.X ±0.3 | LINEAR 0.XX ±0.1 | size A2 | Scale 2:1 |
| Dr M PESSON 2005-10-11 | Eng P LEGARE 2005-10-11 | Chr | Appr | ECN F09-0092 | Spec ref |

| rev | ecn no | dr | date | title | part no | Rev. |
|-----|-----------|-----|------------|----------------------------|---------------|------|
| A | LS05-0113 | MPE | 2005-10-11 | SUB MALE DW | C01-8639-2314 | G |
| B | LS06-0208 | LGO | 2006-12-13 | full power straight solder | | |
| C | LS07-0165 | MPE | 2007/06/14 | | | |
| D | LS07-0213 | MPE | 2007/11/05 | | | |
| E | LS09-0027 | MPE | 2009/01/21 | | | |
| F | F09-0063 | LSA | 2009-07-15 | | | |
| G | F09-0092 | LSA | 2009-09-26 | | | |

Copyright FCI. FCI



| | | | | |
|-----------------|--|--|--|--|
| FRONT ACCESSORY | L insert M3 O insert UNC 4.40 | V Female screw UNC 4.40 I Female screw M3 | L insert M3 O insert UNC 4.40 | V Female screw UNC 4.40 I Female screw M3 |
| PCB ACCESSORIES | G Harpoon for PCB 1.60mm | G Harpoon for PCB 1.60mm | H Harpoon for PCB 2.40mm | H Harpoon for PCB 2.40mm |

| PART NUMBER | AMPS | MATINGS/ UNMATINGS | FRONT ACCESSORY | PCB ACCESSORIES |
|-----------------|------|-----------------------|-----------------------|--------------------|
| D*LxWxP300G30LF | 30 | 200 | insert M3 | harpoon PCB 1.60mm |
| D*OxWxP300G30LF | 30 | 200 | insert UNC 4.40 | harpoon PCB 1.60mm |
| D*VxWxP300G30LF | 30 | 200 | female screw UNC 4.40 | harpoon PCB 1.60mm |
| D*IxWxP300G30LF | 30 | 200 | female screw M3 | harpoon PCB 1.60mm |
| D*LxWxP300H30LF | 30 | 200 | insert M3 | harpoon PCB 2.40mm |
| D*OxWxP300H30LF | 30 | 200 | insert UNC 4.40 | harpoon PCB 2.40mm |
| D*VxWxP300H30LF | 30 | 200 | female screw UNC 4.40 | harpoon PCB 2.40mm |
| D*IxWxP300H30LF | 30 | 200 | female screw M3 | harpoon PCB 2.40mm |
| D*LxWxP300G40LF | 40 | 200 | insert M3 | harpoon PCB 1.60mm |
| D*OxWxP300G40LF | 40 | 200 | insert UNC 4.40 | harpoon PCB 1.60mm |
| D*VxWxP300G40LF | 40 | 200 | female screw UNC 4.40 | harpoon PCB 1.60mm |
| D*IxWxP300G40LF | 40 | 200 | female screw M3 | harpoon PCB 1.60mm |
| D*LxWxP300H40LF | 40 | 200 | insert M3 | harpoon PCB 2.40mm |
| D*OxWxP300H40LF | 40 | 200 | insert UNC 4.40 | harpoon PCB 2.40mm |
| D*VxWxP300H40LF | 40 | 200 | female screw UNC 4.40 | harpoon PCB 2.40mm |
| D*IxWxP300H40LF | 40 | 200 | female screw M3 | harpoon PCB 2.40mm |

shell size *
 E 2V2
 A 3V3
 A 3W3
 B 5W5
 C 8W8

| PART NUMBER | AMPS | MATINGS/ UNMATINGS | FRONT ACCESSORY | PCB ACCESSORIES |
|-----------------|------|-----------------------|-----------------------|--------------------|
| D*LxWxP343G30LF | 30 | 500 | insert M3 | harpoon PCB 1.60mm |
| D*OxWxP343G30LF | 30 | 500 | insert UNC 4.40 | harpoon PCB 1.60mm |
| D*VxWxP343G30LF | 30 | 500 | female screw UNC 4.40 | harpoon PCB 1.60mm |
| D*IxWxP343G30LF | 30 | 500 | female screw M3 | harpoon PCB 1.60mm |
| D*LxWxP343H30LF | 30 | 500 | insert M3 | harpoon PCB 2.40mm |
| D*OxWxP343H30LF | 30 | 500 | insert UNC 4.40 | harpoon PCB 2.40mm |
| D*VxWxP343H30LF | 30 | 500 | female screw UNC 4.40 | harpoon PCB 2.40mm |
| D*IxWxP343H30LF | 30 | 500 | female screw M3 | harpoon PCB 2.40mm |
| D*LxWxP343G40LF | 40 | 500 | insert M3 | harpoon PCB 1.60mm |
| D*OxWxP343G40LF | 40 | 500 | insert UNC 4.40 | harpoon PCB 1.60mm |
| D*VxWxP343G40LF | 40 | 500 | female screw UNC 4.40 | harpoon PCB 1.60mm |
| D*IxWxP343G40LF | 40 | 500 | female screw M3 | harpoon PCB 1.60mm |
| D*LxWxP343H40LF | 40 | 500 | insert M3 | harpoon PCB 2.40mm |
| D*OxWxP343H40LF | 40 | 500 | insert UNC 4.40 | harpoon PCB 2.40mm |
| D*VxWxP343H40LF | 40 | 500 | female screw UNC 4.40 | harpoon PCB 2.40mm |
| D*IxWxP343H40LF | 40 | 500 | female screw M3 | harpoon PCB 2.40mm |

Copyright FCJ

| | | | | | |
|---------------------------------------|----------|-----------------------|-----------------------------------|------------|--------------|
| www.fciconnect.com | | surface - ISO 1302 | tolerance std ISO 406 ISO 1101 | projection | mm |
| TOLERANCES UNLESS OTHERWISE SPECIFIED | | | | | |
| Dr | M PESSON | 2005-10-11 | ANGULAR | 0.X ±0.3 | size A2 |
| Eng | P LEGARE | 2005-10-11 | LINEAR | 0.XXX ±0.1 | Scale 2:1 |
| Chr | | | 0° ±2° | 0.05 | ECN F09-0092 |
| Appr | | | Product family | | Spec ref |

SCALE: 4

| | | | |
|------------|----------------------------|----------------------|--------|
| FCJ | TITLE SUB MALE DW | eng no C01-8639-2314 | Rev. G |
| | full power straight solder | | |

2V2

LAYOUT AND CONNECTOR DIMENSIONS
For PCB hole diameters see table 1 sheet 1



3V3

LAYOUT AND CONNECTOR DIMENSIONS
For PCB hole diameters see table 1 sheet 1



3W3

LAYOUT AND CONNECTOR DIMENSIONS
For PCB hole diameters see table 1 sheet 1



SIDE VIEW FOR LAYOUTS: E A B C



Cote "A"

| | |
|-----|------------|
| 30A | 3.1 ± 0.25 |
| 40A | 3.6 ± 0.25 |

Copyright FCI. FCI

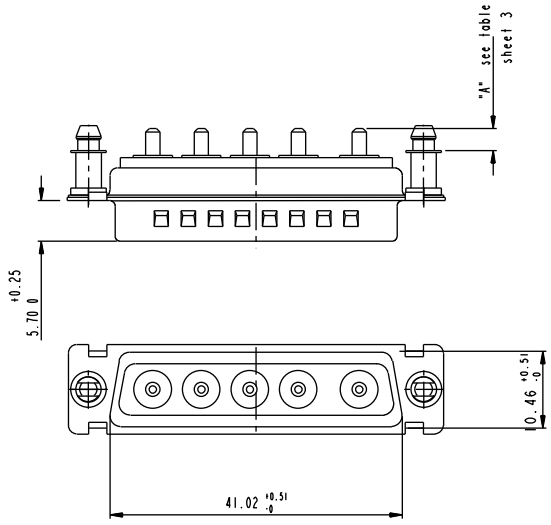
| | | | | | |
|--------------------|---------------------|---------------------------------------|--------------------------------|------------|----------|
| www.fciconnect.com | | surface - ISO 1302 | tolerance std ISO 406 ISO 1101 | projection | mm |
| | | TOLERANCES UNLESS OTHERWISE SPECIFIED | | size | Scale |
| Dr | M PESSON 2005-10-11 | ANGULAR | 0.X ± 0.3 | A2 | 2:1 |
| Eng | P LEGARE 2005-10-11 | LINEAR | 0.XX ± 0.1 | | |
| Chr | | 0° ± 2° | 0.XXX ± 0.05 | ECN | F09-0092 |
| Appr | | Product family | | Spec ref | |

| | | | | | |
|-----|----------------------------|---------|---------------|------|---|
| FCI | TITLE SUB MALE DW | part no | C01-8639-2314 | Rev. | G |
| | full power straight solder | | | | |

5W5

LAYOUT AND CONNECTOR DIMENSIONS

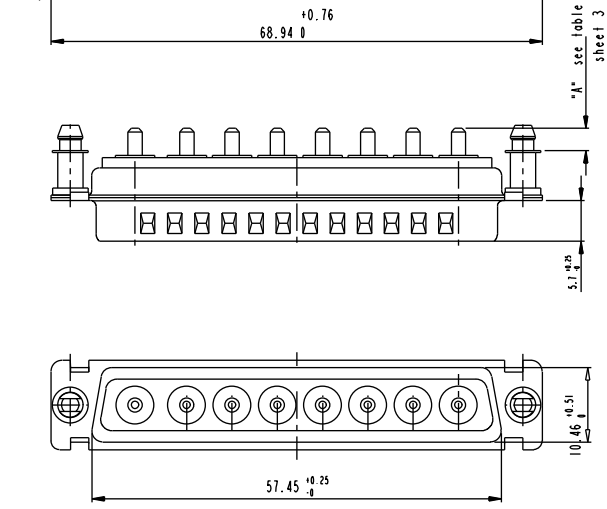
For PCB hole diameters see table 1 sheet 1



8W8

LAYOUT AND CONNECTOR DIMENSIONS

For PCB hole diameters see table 1 sheet 1



| | | | | |
|---------------------------------------|----------|---------------------|-----------------------------------|------------------|
| www.fciconnect.com | | surface ISO 1302 | tolerance std ISO 406 ISO 1101 | projection mm |
| TOLERANCES UNLESS OTHERWISE SPECIFIED | | | | |
| Dr | M PESSON | 2005-10-11 | ANGULAR | size A2 |
| Eng | P LEGARE | 2005-10-11 | LINEAR | Scale 2:1 |
| Chr | | 0° ±2° | 0.xxx ±0.05 | ECN F09-0092 |
| Appr | | Product family | Spec ref | |

| | | | |
|------------|--|--------------------------|-----------|
| FCI | TITLE SUB MALE DW full power straight solder | part no C01-8639-2314 | Rev. G |
|------------|--|--------------------------|-----------|



Компания «ЭлектроПласт» предлагает заключение долгосрочных отношений при поставках импортных электронных компонентов на взаимовыгодных условиях!

Наши преимущества:

- Оперативные поставки широкого спектра электронных компонентов отечественного и импортного производства напрямую от производителей и с крупнейших мировых складов;
- Поставка более 17-ти миллионов наименований электронных компонентов;
- Поставка сложных, дефицитных, либо снятых с производства позиций;
- Оперативные сроки поставки под заказ (от 5 рабочих дней);
- Экспресс доставка в любую точку России;
- Техническая поддержка проекта, помощь в подборе аналогов, поставка прототипов;
- Система менеджмента качества сертифицирована по Международному стандарту ISO 9001;
- Лицензия ФСБ на осуществление работ с использованием сведений, составляющих государственную тайну;
- Поставка специализированных компонентов (Xilinx, Altera, Analog Devices, Intersil, Interpoint, Microsemi, Aeroflex, Peregrine, Syfer, Eurofarad, Texas Instrument, Miteq, Cobham, E2V, MA-COM, Hittite, Mini-Circuits, General Dynamics и др.);

Помимо этого, одним из направлений компании «ЭлектроПласт» является направление «Источники питания». Мы предлагаем Вам помощь Конструкторского отдела:

- Подбор оптимального решения, техническое обоснование при выборе компонента;
- Подбор аналогов;
- Консультации по применению компонента;
- Поставка образцов и прототипов;
- Техническая поддержка проекта;
- Защита от снятия компонента с производства.



Как с нами связаться

Телефон: 8 (812) 309 58 32 (многоканальный)

Факс: 8 (812) 320-02-42

Электронная почта: org@eplast1.ru

Адрес: 198099, г. Санкт-Петербург, ул. Калинина, дом 2, корпус 4, литера А.