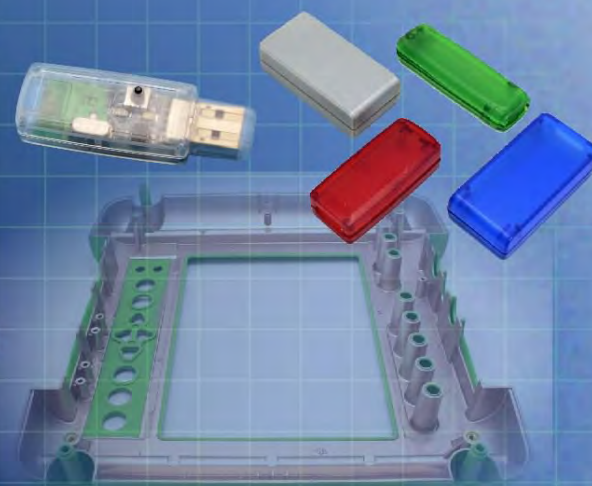


Ordering a market-ready enclosure® is made fast and affordable with our complete in-house capabilities. New Age provides machined openings to fit your PCB, pad printing for your graphics, custom enclosures, custom colors, final assembly, testing and fulfillment services to save you additional time and money. Ask your representative for a free quote today 805-595-1310.

## ***Fast and Affordable Customization***

**CNC Modifications  
Pad Printing  
Colored Resins  
EMI/RF Shielding  
Custom Enclosure  
Assembly & Testing**



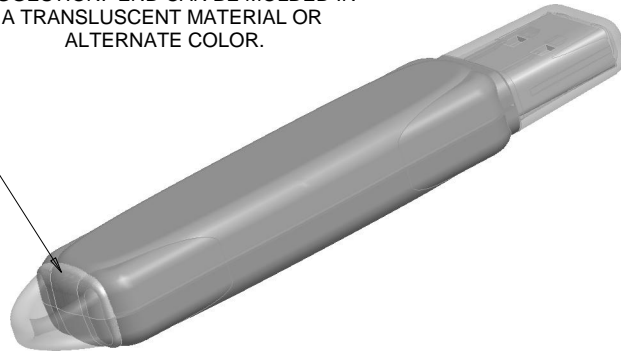
ISO quality  
off-the-shelf  
to market-ready®

# **NEW AGE ENCLOSURES**

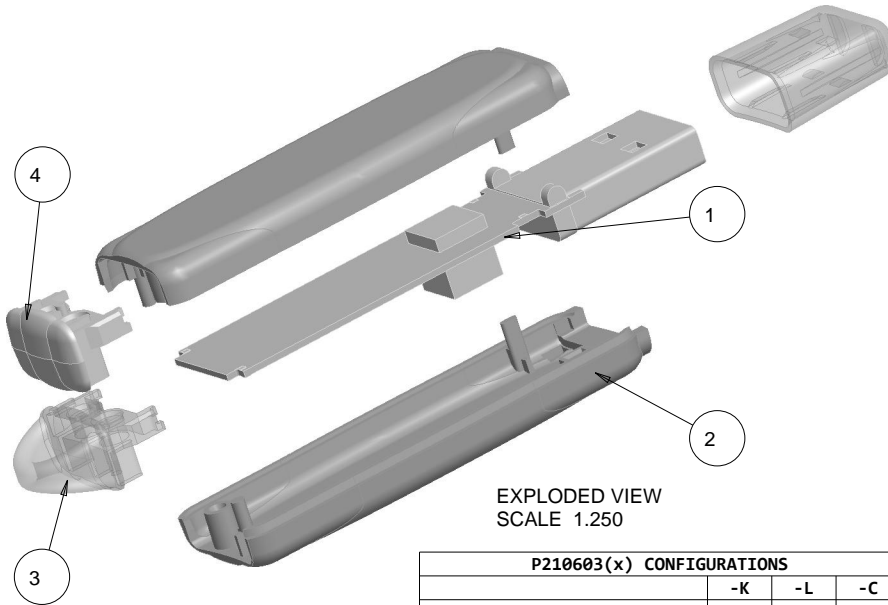
[www.NewAgeEnclosures.com](http://www.NewAgeEnclosures.com)

4330 Santa Fe Road • San Luis Obispo, CA 93401 • T 805.595.1310 • F 805.595.1024

SUGGESTION: END CAN BE MOLDED IN A TRANSLUCENT MATERIAL OR ALTERNATE COLOR.



SCALE 1.250



EXPLODED VIEW  
SCALE 1.250

P210603(x) CONFIGURATIONS			
	-K	-L	-C
P210603 CASE HALF	2	2	
P210603 END w/ KEYRING *	1		
P210603 END *		1	
P210603 CAP			1

\* = ENCLOSURE IS TO BE ASSEMBLED USING THE "210603 END" OR "210603 END w/ KEYRING" NOT BOTH. SEE NOTE 8

ITEM	DESCRIPTION	MATERIAL	COLOR	QTY.
5	210603 USB CAP - STANDARD	SOLD SEPARATELY	BLACK or WHITE	1
4	210603 END	ABS	BLACK or WHITE	1
3	210603 END w/ KEYRING	ABS	BLACK or WHITE	1
2	210603 CASE HALF - STANDARD	ABS	BLACK or WHITE	2
1	210603 PCB - REFERENCE	CUSTOMER SUPPLIED	.032" THICK	1

**BILL OF MATERIALS**

**REVISION**

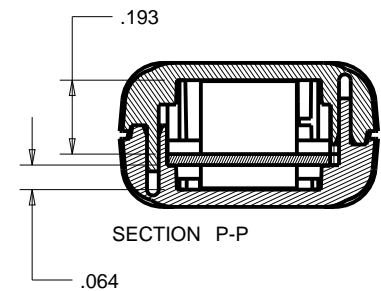
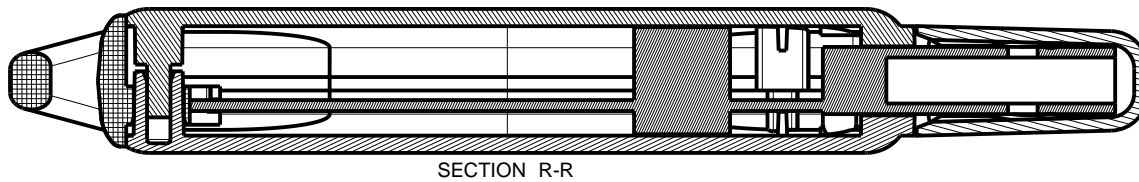
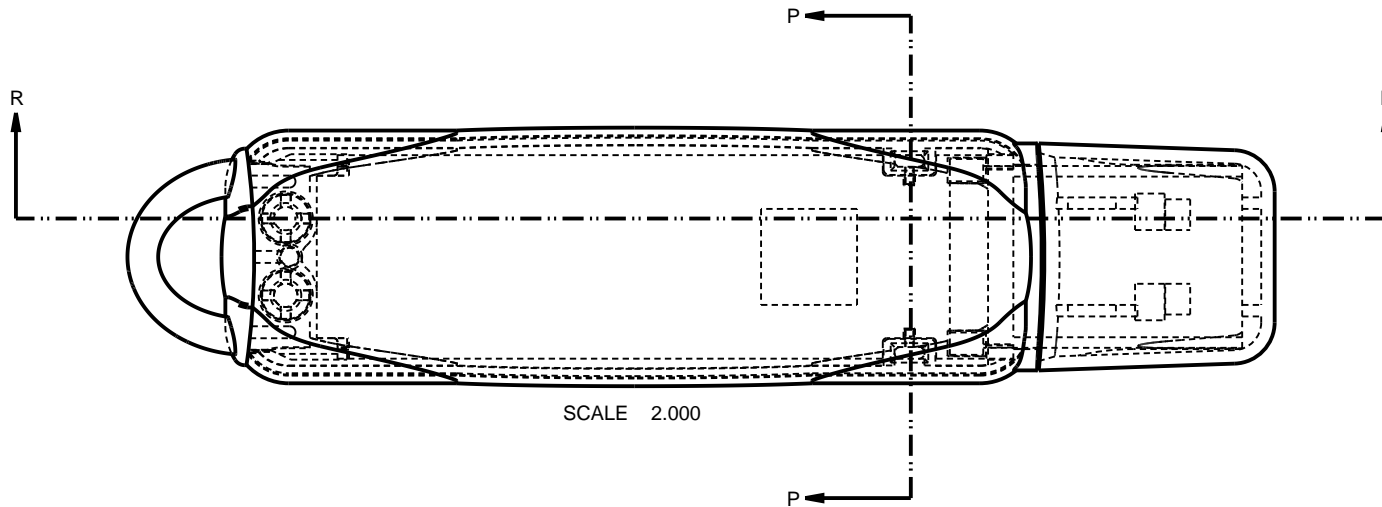
REV.	DRAWN BY	ECO No	DESCRIPTION	DATE	APPROVED
1	M BOYER		PRELIMINARY RELEASE	07-Jul-06	D.C.
	M BOYER		REVISION LIST CONDENSED - SEE REV 10 OR PRIOR		
10.2	M BOYER	0211	NOTE CHANGE	13-Jan-11	D.C.
10.3	M BOYER	0311	REMOVE "LENS" FROM DRAWING LANGUAGE	08-Feb-11	D.C.
10.4	M BOYER	0611	UPDATE TITLE FROM "USB DEVICE" TO "USB STICK"	01-Mar-11	D.C.
10.5	M BOYER	2711	MARK ASSEMBLY DIMENSIONS AS "PRESS FIT"	21-Oct-11	

**NOTES: UNLESS OTHERWISE SPECIFIED**

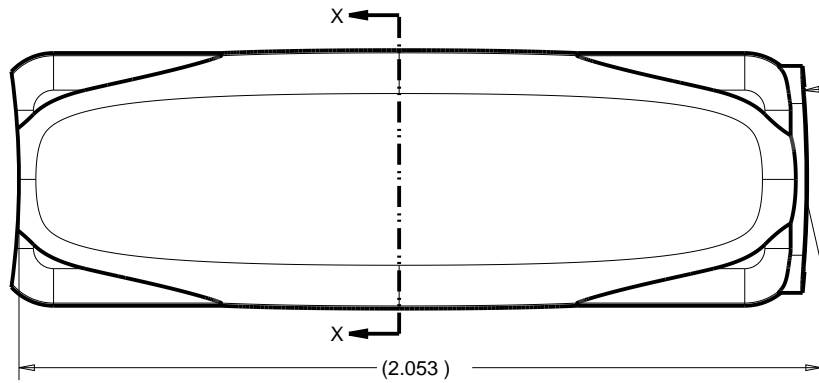
- DIMENSIONS TO BE SYMMETRICAL ABOUT CENTERLINES WITHIN .003 T.I.R.
- CORNERS DRAWN SHARP TO BE R.005 MAXIMUM.
- EXTERIOR SURFACE TEXTURE TO BE LIGHT EDM FINISH. EQUIVELANT TO MT-11010.
- INTERIOR SURFACE TEXTURE TO BE: NONE.
- ALL INSIDE RADII .010R. UNLESS OTHERWISE SPECIFIED.
- ALL EXTERNAL DIMENSIONS AFFECTED BY THE DRAFT APPLY AT THE LARGE END OF THE FEATURE, AND ALL INTERNAL FEATURES AFFECTED BY THE DRAFT APPLY AT THE SMALL END OF THE FEATURE UNLESS OTHERWISE SPECIFIED.
- 1 DEGREES DRAFT IN THE DIRECTION OF PULL IS PERMISSIBLE UNLESS OTHERWISE SPECIFIED.
- THIS ENCLOSURE IS A PRESS FIT ASSEMBLY. FOR PERMANENT CLOSURE: A DROP ADHESIVE OR ULTRASONIC WELDING IS REQUIRED.
- MATERIAL / COLOR: BLACK OR WHITE ARE STANDARD ABS COLORS. CUSTOM MATERIALS AND COLORS ARE AVAILABLE UPON REQUEST FOR QUOTE.
- PCB SIZES ARE RECOMMENDATIONS ONLY. FINAL SIZES AND VERIFICATION OF IT'S FIT ARE THE SOLE RESPONSIBILITY OF EACH OWNER. SOLID MODELS ARE AVAILABLE FOR DOWNLOAD AT OUR WEBSITE.

THIRD ANGLE PROJECTION 	TOLERANCES: UNLESS OTHERWISE SPECIFIED DIMENSIONS ARE IN U.S. INCHES. X.XX = .015 X.XXXX = .001 X.XXX = .010 X.X° = 1°		<b>NEW AGE ENCLOSURES</b> 4330 Santa Fe Road San Luis Obispo, CA. 93401 ph. (805) 595-1310 fax (805) 595-1024 <a href="http://www.newageenclosures.com">www.newageenclosures.com</a>
	DO NOT SCALE DRAWING		
NOTICE: THE INFORMATION AND DATA CONTAINED HEREIN IS CONSIDERED PROPRIETARY TO ALLTEC INTEGRATED MFG INC & SHALL REMAIN THE EXCLUSIVE PROPERTY OF ALLTEC INTEGRATED MFG INC. THE HOLDER WILL ASSUME CUSTODY AND CONTROL THAT THIS DOCUMENT WILL NOT BE COPIED, REPRODUCED, OR DISCLOSED WITHOUT THE EXPRESS WRITTEN CONSENT OF ALLTEC INTEGRATED MFG INC. POSSESSION OF THIS DOCUMENT DOES NOT CONSTITUTE A GRANT TO MANUFACTURE ANY ITEMS. ©2011			Customer's Part No: 210603
APPROVAL	BY	DATE	
CHECK			
ENG.			
SCALE	AS NOTED		
DRAWN BY	07-Jul-06		SIZE
M BOYER			A
DRAWING NAME			SHEET
210603_R10_5			1 OF 7
REV.DOC			10.5

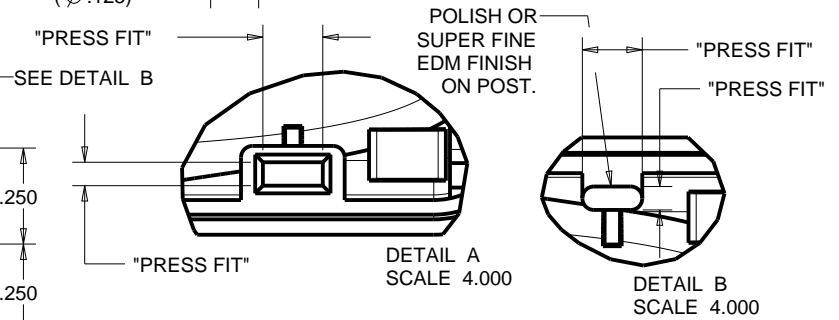
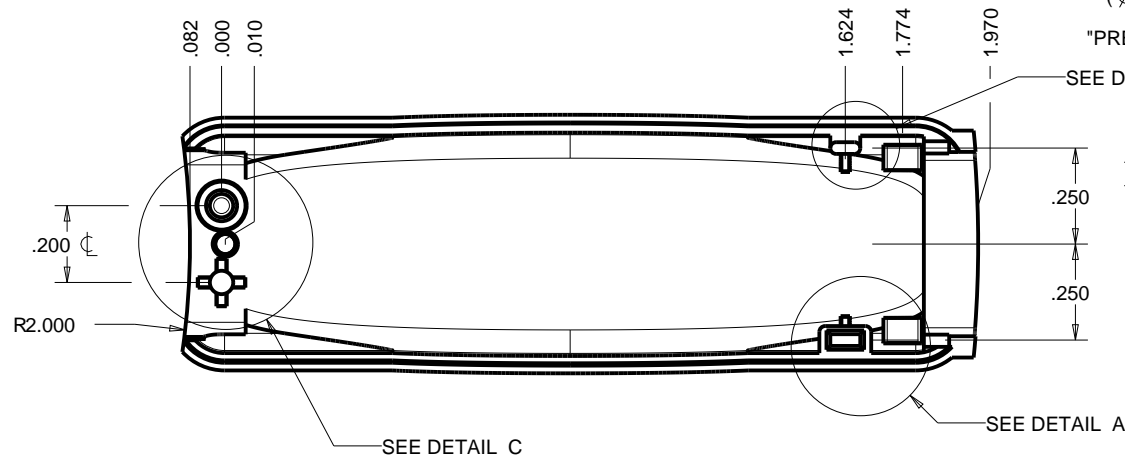
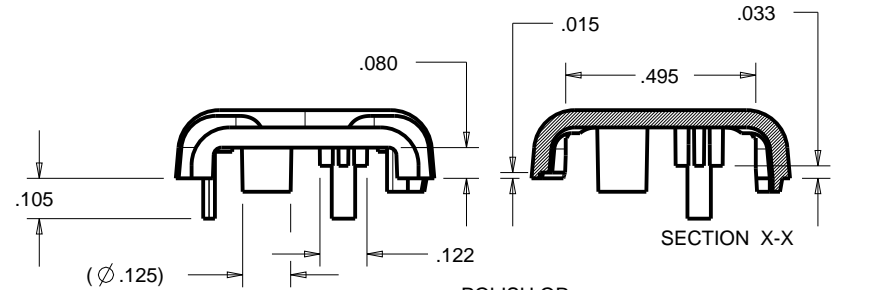
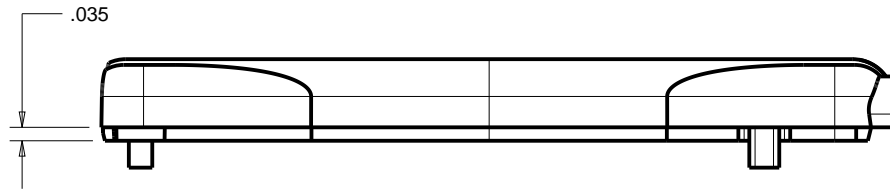
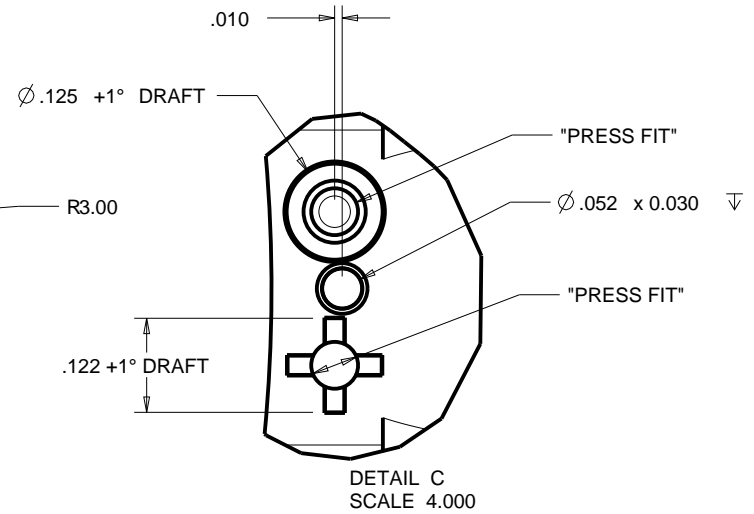




TOLERANCES: UNLESS OTHERWISE SPECIFIED DIMENSIONS ARE IN U.S. INCHES. X.XX = .015 X.XXXX = .001 X.XXX = .010 X.X° = 1°		<b>NEW AGE ENCLOSURES</b> 4330 Santa Fe Road San Luis Obispo, CA. 93401 ph. (805) 595-1310 fax (805) 595-1024 <a href="http://www.newageenclosures.com">www.newageenclosures.com</a>				
NEW AGE ENCLOSURES Customer's Part No: 210603						
APPROVAL	BY	DATE	<b>STANDARD - USB STICK          PXX-210603X ASSEMBLY</b>			
CHECK						
ENG.						
SCALE	AS NOTED					
DRAWN BY			SIZE	DRAWING NAME	SHEET	REV.DOC
M BOYER		07-Jul-06	A	210603_R10_5	2 OF 7	10.5



SCALE 2.000



TOLERANCES: UNLESS OTHERWISE SPECIFIED  
DIMENSIONS ARE IN U.S. INCHES.  
X.XX = .015 X.XXXX = .001  
X.XXX = .010 X.X° = 1°

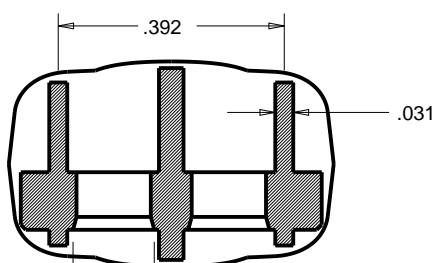
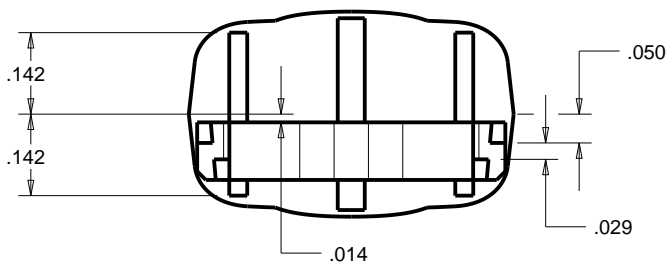
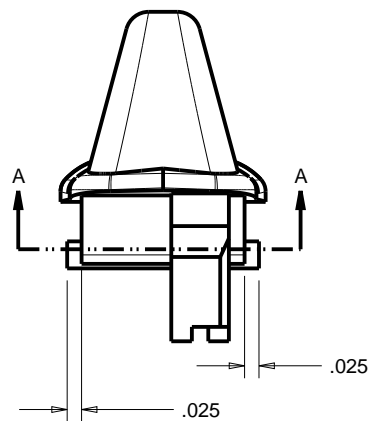
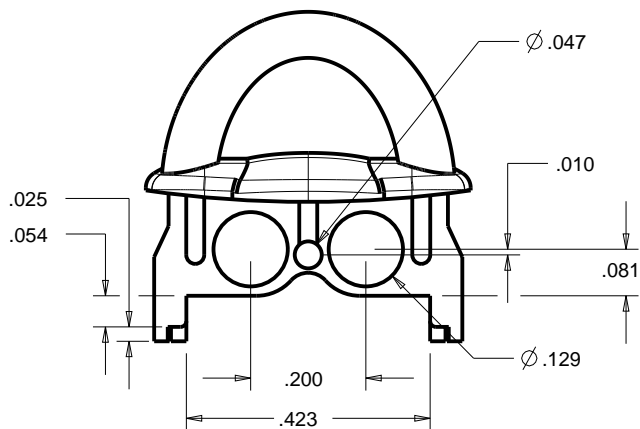
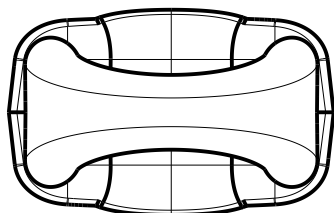
NEW AGE ENCLOSURES  
Customer's Part No: 210603

APPROVAL	BY	DATE
CHECK		
ENG.		
SCALE	AS NOTED	
DRAWN BY	07-Jul-06	
M BOYER		

**NEW AGE ENCLOSURES**  
4330 Santa Fe Road San Luis Obispo, CA. 93401  
ph. (805) 595-1310 fax (805) 595-1024  
[www.newageenclosures.com](http://www.newageenclosures.com)

<b>STANDARD - USB STICK PXX-210603X ASSEMBLY</b>		SHEET	REV.DOC
SIZE	DRAWING NAME	3 OF 7	10.5
A	210603_R10_5		

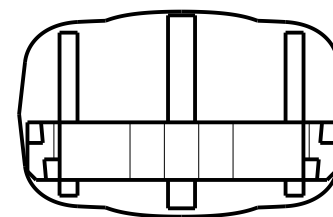
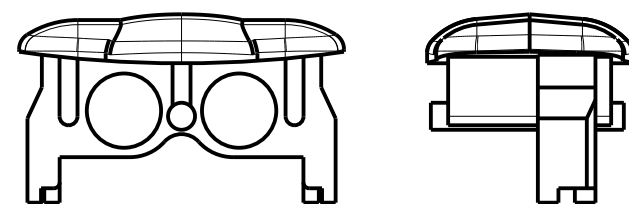
**210603 END**  
 WITH KEY RING AND WITHOUT.  
 PLEASE SPECIFY PREFERENCE WHEN ORDERING



USE  $\phi .141$  CORE PIN SECTION A-A

P210603K END w/ KEYRING  
 SCALE 3.000

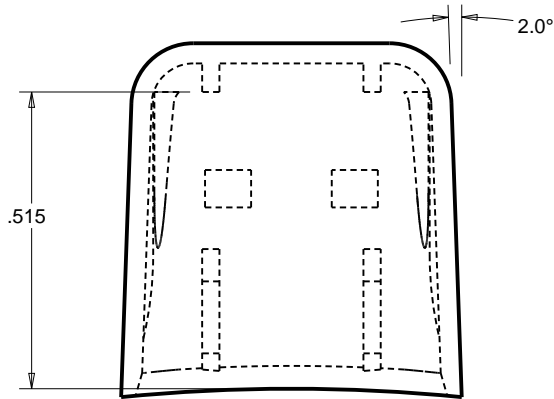
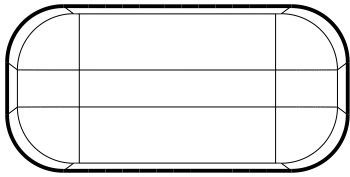
CRITICAL DIMENSIONS:  
 SAME AS END W/ RING



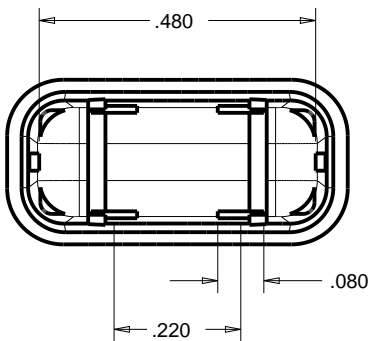
P210603L END  
 SCALE 3.000

TOLERANCES: UNLESS OTHERWISE SPECIFIED DIMENSIONS ARE IN U.S. INCHES. X.XX = .015 X.XXXX = .001 X.XXX = .010 X.X° = 1°		<b>NEW AGE ENCLOSURES</b> 4330 Santa Fe Road San Luis Obispo, CA. 93401 ph. (805) 595-1310 fax (805) 595-1024 <a href="http://www.newageenclosures.com">www.newageenclosures.com</a>				
NEW AGE ENCLOSURES Customer's Part No: 210603						
APPROVAL	BY	DATE	<b>STANDARD - USB STICK                  PXX-210603X ASSEMBLY</b>			
CHECK						
ENG.						
SCALE	AS NOTED					
DRAWN BY			SIZE	DRAWING NAME	SHEET	REV.DOC
M BOYER		07-Jul-06	A	210603_R10_5	4 OF 7	10.5

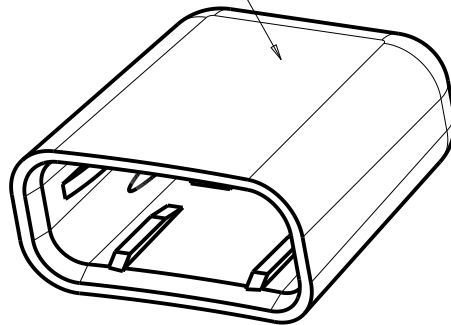
OPTIONAL USB CAP  
P210603C CAP



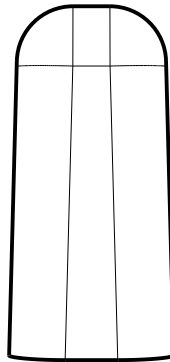
SCALE 3.000



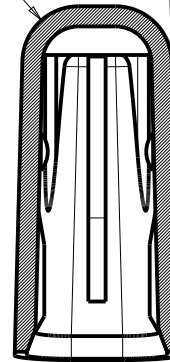
MT-11010 or EQUIV.



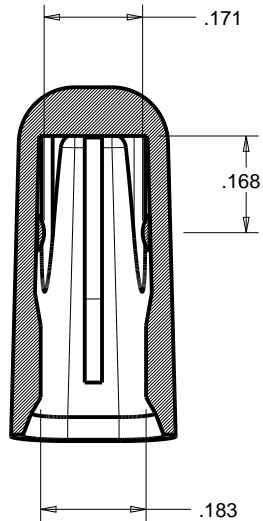
R.098



1.5°



SECTION Y-Y



SECTION A-A

TOLERANCES: UNLESS OTHERWISE SPECIFIED  
DIMENSIONS ARE IN U.S. INCHES.

X.XX = .015 X.XXXX = .001  
X.XXX = .010 X.X° = 1°

NEW AGE ENCLOSURES

Customer's Part No: 210603

APPROVAL BY DATE

CHECK

ENG.

SCALE AS NOTED

DRAWN BY M BOYER

07-Jul-06

**NEW AGE ENCLOSURES**

4330 Santa Fe Road San Luis Obispo, CA. 93401  
ph. (805) 595-1310 fax (805) 595-1024  
[www.newageenclosures.com](http://www.newageenclosures.com)

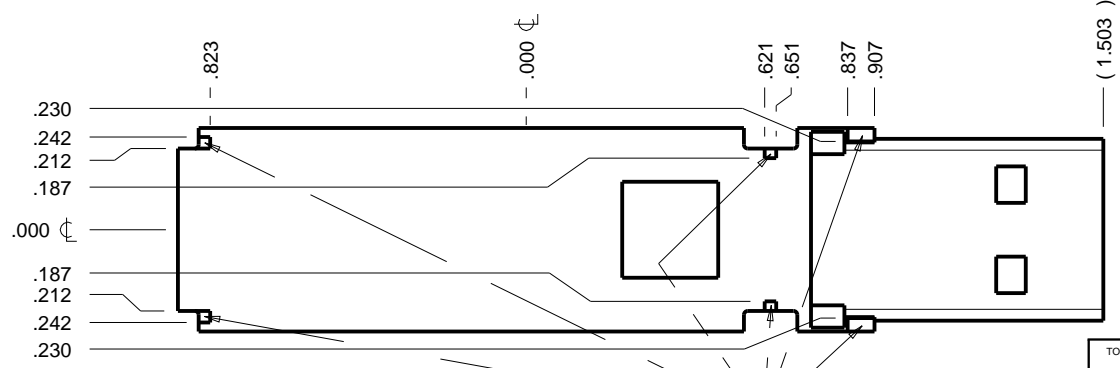
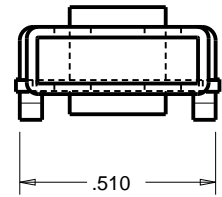
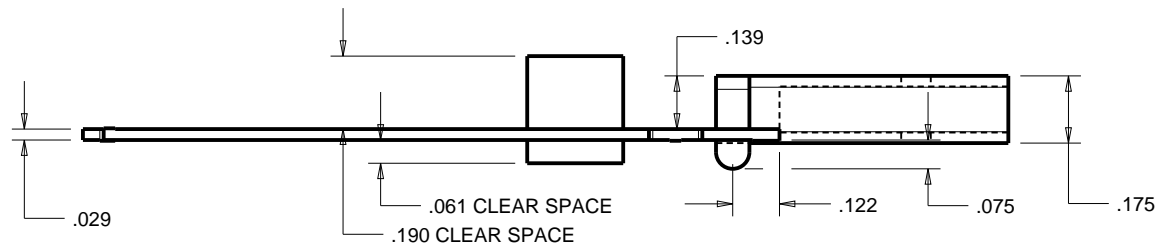
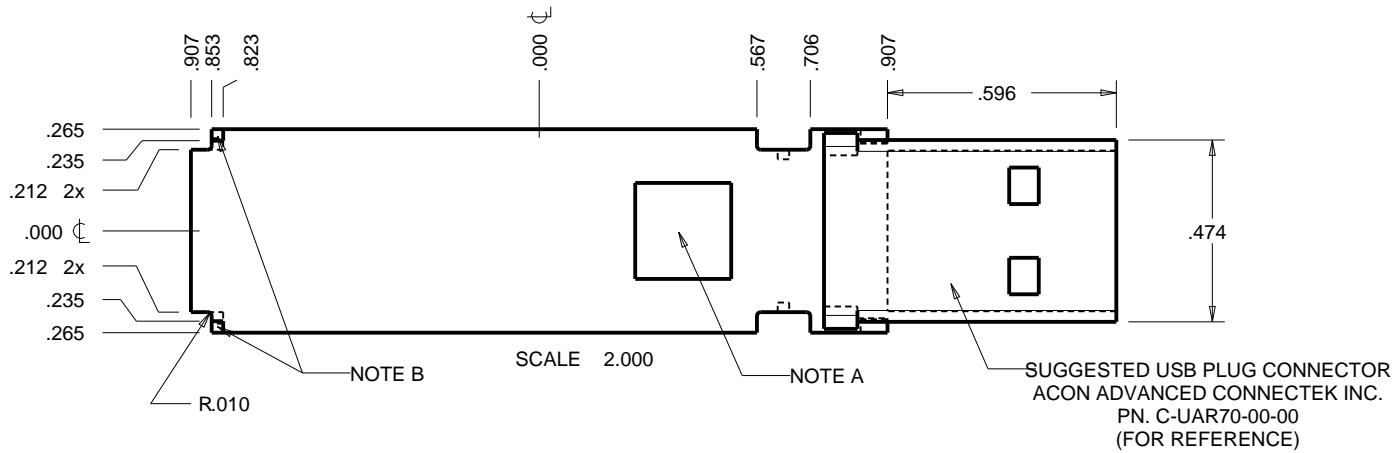
**STANDARD - USB STICK  
PXX-210603X ASSEMBLY**

SIZE A DRAWING NAME 210603\_R10\_5

SHEET 5 OF 7 REV.DOC 10.5

# P210603 PCB - CUSTOMER SUPPLIED

PCB SIZES ARE RECOMMENDATIONS ONLY. FINAL SIZES AND VERIFICATION OF IT'S FIT ARE THE SOLE RESPONSIBILITY OF THE OEM.



- NOTE
- A. FICTITIOUS COMPONENT SHOWN TO REPRESENT VERTICLE SPACE AVAILABLE.
  - B. KEEP OUT ZONES REPRESENT AREAS WHERE THE PLASTIC ENCLOSURE WILL CONTACT THE PCB.
  - C. SOLID MODELS (STP) ARE AVAILABLE FOR DOWNLOAD. OTHER FORMATS ARE AVAILABLE UPON REQUEST.

TOLERANCES: UNLESS OTHERWISE SPECIFIED DIMENSIONS ARE IN U.S. INCHES.	
X.XX = .015 X.XXXX = .001	
X.XXX = .010 X.X° = 1°	
NEW AGE ENCLOSURES	
Customer's Part No: 210603	
APPROVAL	BY DATE
CHECK	
ENG.	
SCALE	AS NOTED
DRAWN BY	07-Jul-06
M BOYER	

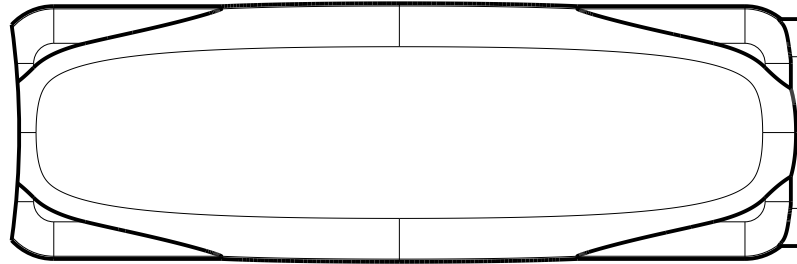
**NEW AGE ENCLOSURES**  
 4330 Santa Fe Road San Luis Obispo, CA. 93401  
 ph. (805) 595-1310 fax (805) 595-1024  
[www.newageenclosures.com](http://www.newageenclosures.com)

STANDARD - USB STICK PXX-210603X ASSEMBLY	
SIZE	DRAWING NAME
A	210603_R10_5
SHEET	REV.DOC
6 OF 7	10.5

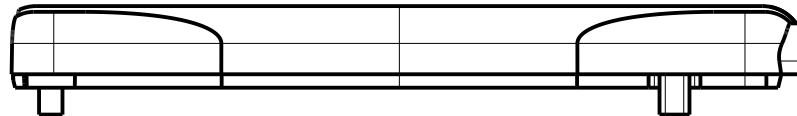


## 2nd OPERATION DETAILS

NEW AGE ENCLOSURES DELIVERS YOUR ENCLOSURE MARKET-READY WITH IN-HOUSE  
CNC MACHINING, PAD PRINTING, ASSEMBLY, AND FULFILLEMENT.  
ALL SURFACES AND AREAS ARE AVAILABLE FOR CNC ALTERATION BY NEW AGE ENCLOSURES  
CALL (805) 595-1310 FOR PRICING AND SCHEDULE.  
THE INSIDE RADIUS OF ANY MACHINED FEATURES SHOULD BE NO SMALLER THAN .031"



SCALE 2.000



### PXX-210603X-XXX COVER - ABS, BLACK

STEP NO	DESCRIPTION	CUTTER	FIXTURE	ORIENTATION	PROGRAM
1	-	T2 = .062" EM	-	-	-
2	-	T2 = .062" EM	-	-	-
3	-	T2 = .062" EM	-	-	-

TOLERANCES: UNLESS OTHERWISE SPECIFIED DIMENSIONS ARE IN U.S. INCHES. X.XX = .015 X.XXXX = .001 X.XXX = .010 X.X° = 1°			<b>NEW AGE ENCLOSURES</b>		4330 Santa Fe Road San Luis Obispo, CA. 93401 ph. (805) 595-1310 fax (805) 595-1024 <a href="http://www.newageenclosures.com">www.newageenclosures.com</a>	
Customer's Part No: 210603			APPROVAL		BY	DATE
			CHECK			
			ENG.			
			SCALE		AS NOTED	
			DRAWN BY		SIZE	DRAWING NAME
			M BOYER		A	210603_R10_5
			07-Jul-06		SHEET	REV.DOC
			7 OF 7		10.5	

# Mouser Electronics

Authorized Distributor

Click to View Pricing, Inventory, Delivery & Lifecycle Information:

## New Age Enclosures:

[3A-210603C](#) [1A-210603C](#) [P1A-210603L](#) [P1A-210603K](#) [P3A-210603L](#) [P3A-210603K](#) [0P-210603C](#)



Компания «ЭлектроПласт» предлагает заключение долгосрочных отношений при поставках импортных электронных компонентов на взаимовыгодных условиях!

Наши преимущества:

- Оперативные поставки широкого спектра электронных компонентов отечественного и импортного производства напрямую от производителей и с крупнейших мировых складов;
- Поставка более 17-ти миллионов наименований электронных компонентов;
- Поставка сложных, дефицитных, либо снятых с производства позиций;
- Оперативные сроки поставки под заказ (от 5 рабочих дней);
- Экспресс доставка в любую точку России;
- Техническая поддержка проекта, помощь в подборе аналогов, поставка прототипов;
- Система менеджмента качества сертифицирована по Международному стандарту ISO 9001;
- Лицензия ФСБ на осуществление работ с использованием сведений, составляющих государственную тайну;
- Поставка специализированных компонентов (Xilinx, Altera, Analog Devices, Intersil, Interpoint, Microsemi, Aeroflex, Peregrine, Syfer, Eurofarad, Texas Instrument, Miteq, Cobham, E2V, MA-COM, Hittite, Mini-Circuits, General Dynamics и др.);

Помимо этого, одним из направлений компании «ЭлектроПласт» является направление «Источники питания». Мы предлагаем Вам помощь Конструкторского отдела:

- Подбор оптимального решения, техническое обоснование при выборе компонента;
- Подбор аналогов;
- Консультации по применению компонента;
- Поставка образцов и прототипов;
- Техническая поддержка проекта;
- Защита от снятия компонента с производства.



#### Как с нами связаться

**Телефон:** 8 (812) 309 58 32 (многоканальный)

**Факс:** 8 (812) 320-02-42

**Электронная почта:** [org@eplast1.ru](mailto:org@eplast1.ru)

**Адрес:** 198099, г. Санкт-Петербург, ул. Калинина, дом 2, корпус 4, литера А.