

Level Translating I2C Bus/SMBus Repeater

Features

- 2 channel, bidirectional buffer
- I²C-bus and SMBus compatible
- Port A operating voltage range: 0.8 V to 5.5 V
- Port B operating voltage range: 2.2 V to 5.5 V
- Voltage level translation from 0.8 V to 5.5 V and from 2.2 V to 5.5 V
- Active HIGH repeater enable input
- Open-drain input/outputs
- Lock-up free operation
- Supports arbitration and clock stretching across the repeater
- Accommodates Standard-mode and Fast-mode I²C-bus devices and multiple masters
- Powered-off high-impedance I²C-bus pins
- 5.5 V tolerant I²C-bus and enable pins
- 0 Hz to 400 kHz clock frequency (the maximum system operating frequency may be less than 400 kHz because of the delays added by the repeater)
- ESD protection exceeds 8000V HBM per JESD22-A114
- Packages offered: MSOP-8L , TDFN-8 2*3-8L

Description

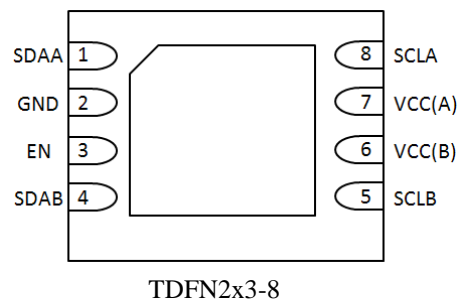
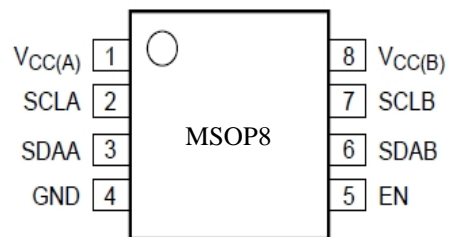
The PI6ULS5V9517B is a CMOS integrated circuit intended for I²C-bus or SMBus applications. It can provide level shifting between low voltage (down to 0.8 V) and higher voltage (2.2 V to 5.5 V) in mixed-mode applications. And it enables I²C and similar bus system to be extended ,without degradation of performance even during level shifting.

The PI6ULS5V9517B enables the system designer to isolate two halves of a bus for both voltage and capacitance, accommodating more I2C devices or longer trace length. It also permits extension of the I²C-bus by providing bidirectional buffering for both the data (SDA) and the clock (SCL) lines, thus allowing two buses of 400 pF to be connected in an I²C application.

Pin Description

MSOP-8	TDFN2x3-8	Name	Description
1	7	V _{CCA}	port A supply voltage (0.8 V to 5.5 V)
2	8	SCLA	serial clock port A bus
3	1	SDAA	serial data port A bus
4	2	GND	supply ground (0 V)
5	3	EN	active HIGH repeater enable input
6	4	SDAB	serial data port B bus
7	5	SCLB	serial clock port B bus
8	6	V _{CCB}	port B supply voltage (2.2 V to 5.5 V)

Pin Configuration



Block Diagram

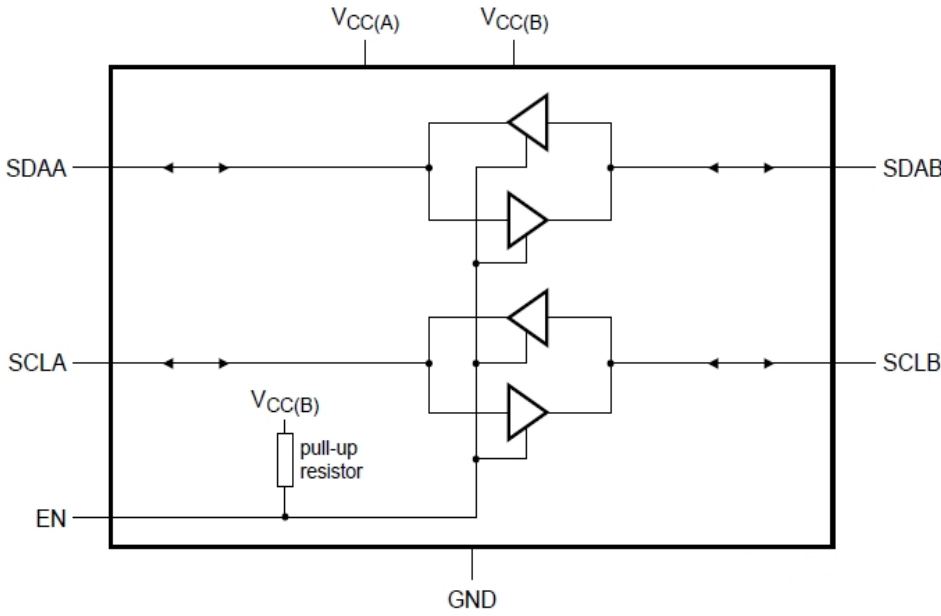


Figure 1:Block Diagram

EN	Function
H	SCLA = SCLB; SDAA = SDAB;
L	disabled

Maximum Ratings

Supply Voltage port B-0.5V to +7V
Supply Voltage port A-0.5V to +7V
DC Input Voltage -0.5V to +7V
Control Input Voltage (EN)-0.5V to+7V
Total power dissipation ⁽¹⁾100mW
Input/output current(port A&B)50mA
Input current(EN, VCCA, VCCB, GND)50mA
ESD: HBM Mode8000V
Storage Temperature-55°C to +125°C

Note:

1. Stresses greater than those listed under MAXIMUM RATINGS may cause permanent damage to the device. This is a stress rating only and functional operation of the device at these or any other conditions above those indicated in the operational sections of this specification is not implied. Exposure to absolute maximum rating conditions for extended periods may affect reliability

Recommended Operating Conditions

VCC = 2.2 V to 5.5 V; GND = 0 V; Tamb= -40 °C to +85 °C; unless otherwise specified

Symbol	Parameter	CONDITIONS	Min.	TYP	Max.	Unit
Vcc(B)	supply voltage port B		2.2		5.5	V
Vcc(A)	supply voltage port A		0.8		5.5	V
ICC(A)	supply current on pin Vcc(A)				500	uA
ICCH	HIGH-level supply current	both channels HIGH; VCC = 5.5 V; SDAn = SCLn = VCC		0.5	2	mA
ICCL	LOW-level supply current	both channels LOW; VCC = 5.5 V; one SDA and one SCL = GND; other SDA and SCL open		0.5	2	mA
ICC(B)c	contention port B supply current	VCC = 5.5 V; SDAn = SCLn = VCC		0.5	2	mA

DC Electrical Characteristics

VCC = 2.2 V to 5.5 V; GND = 0 V; Tamb = -40 °C to +85 °C; unless otherwise specified

Parameter	Description	Test Conditions ⁽¹⁾	Min	Typ. ⁽²⁾	Max	Unit
Input and output SDAB and SCLB						
V _{IH}	HIGH-level input voltage		0.7V _{CC(B)}		5.5	V
V _{IL} ⁽¹⁾	LOW-level input voltage		-0.5		+0.3V _{CC(B)}	
V _{ILc}	contention LOW-level input voltage		-0.5	0.4		
V _{IK}	input clamping voltage	I _I = 18 mA			1.2	V
I _{LI}	input leakage current	V _I = 3.6 V			1	A
I _{IL}	LOW-level input current	SDA, SCL; V _I = 0.2 V		10		A
V _{OL}	LOW-level output voltage	I _{OL} = 100 A or 6 mA	0.47	0.52	0.6	V
V _{OL} - V _{ILc}	difference between LOW-level output and LOW-level input voltage contention	guaranteed by design		70		mV
I _{LOH}	HIGH-level output leakage current	V _O = 3.6 V			10	A
C _{io}	input/output capacitance	V _I = 3 V or 0 V; V _{CC} = 3.3 V V _I = 3 V or 0 V; V _{CC} = 0 V		6		pF
Input and output SDAA and SCLA						
V _{IH}	HIGH-level input voltage		0.7V _{CC(A)}		5.5	V
V _{IL} ⁽²⁾	LOW-level input voltage		-0.5		+0.3V _{CC(A)}	
V _{IK}	input clamping voltage	I _I = 18 mA			1.2	V
I _{LI}	input leakage current	V _I = 3.6 V			1	A
I _{IL}	LOW-level input current	SDA, SCL; V _I = 0.2 V				A
V _{OL}	LOW-level output voltage	I _{OL} = 6 mA		0.1	0.2	V
I _{LOH}	HIGH-level output leakage current	V _O = 3.6 V			10	A
C _{io}	input/output capacitance	V _I = 3 V or 0 V; V _{CC} = 3.3 V V _I = 3 V or 0 V; V _{CC} = 0 V		6		pF
Enable						
V _{IH}	HIGH-level input voltage		0.7V _{CC(B)}		5.5	V
V _{IL}	LOW-level input voltage		-0.5		+0.3V _{CC(B)}	V
I _{IL}	LOW-level input current	V _I = 0.2 V, EN; V _{CC} = 3.6 V		-10	-30	A
I _{LI}	input leakage current	V _I = V _{CC(B)}	-1		+1	A
C _i	input capacitance	V _I = 3.0 V or 0 V		6		pF

NOTES:

1 V_{IL} specification is for the first LOW level seen by the SDAB/SCLB lines. V_{ILc} is for the second and subsequent LOW levels seen by the SDAB/SCLB lines.

2, V_{IL} for port A with envelope noise must be below 0.3V_{CC(A)} for stable performance.

Dynamic Characteristics

VCC = 2.2 V to 5.5 V; GND = 0 V; Tamb = -40 °C to +85 °C; unless otherwise specified.^{[1][2]}

Symbol	Parameter	condition	Min	Typ.	Max	Unit
t _{PLH}	LOW-to-HIGH propagation delay	B-side to A-side		169	255	ns
t _{PHL}	HIGH-to-LOW propagation delay	B-side to A-side Vcc(A) 2.7 V		68	110	ns
		B-side to A-side Vcc(A) 3 V		103	300	ns
t _{TLH}	LOW-to-HIGH transition time	A-side		50	60	ns
t _{THL}	HIGH-to-LOW transition time	A-side Vcc(A) 2.7 V		3	105	ns
		A-side Vcc(A) 3 V		25	175	ns
t _{PLH}	LOW-to-HIGH propagation delay	A-side to B-side		67	110	ns
t _{PHL}	HIGH-to-LOW propagation delay	A-side to B-side		118	230	ns
t _{TLH}	LOW-to-HIGH transition time	B-side		140	170	ns
t _{THL}	HIGH-to-LOW transition time	B-side		40	105	ns
t _{SU}	set-up time	EN HIGH before START condition	100			ns
t _H	hold time	EN HIGH after STOP condition	100			ns

Note:
 [1] Times are specified with loads of 1.35 k pull-up resistance and 57 pF load capacitance on port B, and 167 pull-up resistance and 57 pF load capacitance on port A. Different load resistance and capacitance will alter the RC time constant, thereby changing the propagation delay and transition times.
 [2] Pull-up voltages are Vcc(A) on port A and Vcc(B) on port B.
 [3] Typical values were measured with Vcc(A) = 3.3 V at Tamb = 25 °C, unless otherwise noted.

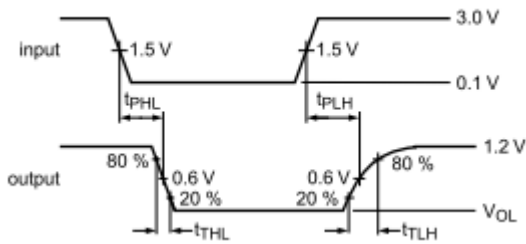


Figure 2: Propagation Delay and Transition Times B→A

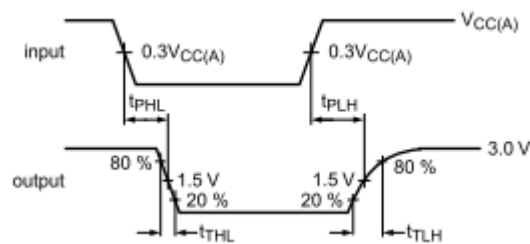


Figure 3: Propagation Delay and Transition Times A→B

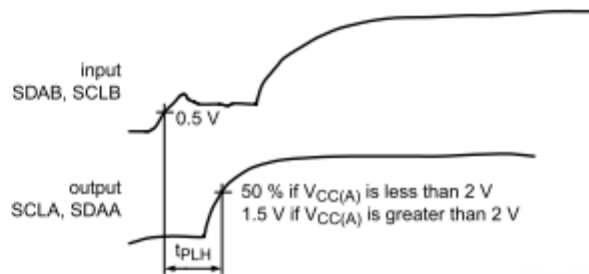
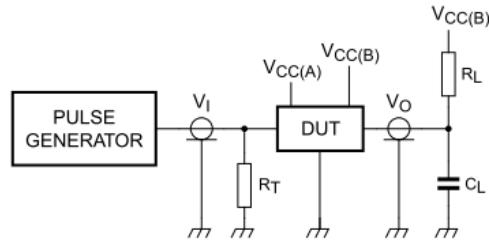


Figure4: Propagation Delay



RL = load resistor; 1.35 kΩ on port B; 167 Ω on port A (0.8 V to 2.7 V) and 450 Ω on port A (3.0 V to 5.5 V).
CL = load capacitance includes jig and probe capacitance; 57 pF
RT = termination resistance should be equal to Z_0 of pulse generators

Figure 5: Test Circuit

Function Description

The B-side drivers operate from 2.2 V to 5.5 V. The output low level of port B internal buffer is approximately 0.5 V, while the input voltage must be 70mV lower (0.43V) or even more lower. The nearly 0.5V low signal is called a buffered low. When the B-side I/O is driven low internally, the low is not recognized as a low by the input. This feature prevents a lockup condition from occurring when the input low condition is released. This type of design on B port prevents it from being used in series with another PI6ULS5V9517B (B side) or similar devices, because they don't recognize buffer low signals as a valid low.

The A-side drivers operate from 0.8 V to 5.5 V. The output low level of port A internal buffer is nearly 0V, while the input low level is set at $0.3V_{CC(A)}$ to accommodate the need for a lower LOW level in systems where the low voltage side supply voltage is as low as 0.8 V. Port A of two or more PI6ULS5V9517Bs can be connected together to allow a star topography with port A on the common bus. And port A can be connected directly to any other buffer with static or dynamic offset voltage. Multiple PI6ULS5V9517Bs can be connected in series, port A to port B, with no build-up in offset voltage with only time of flight delays to consider.

The EN pin can also be used to turn the drivers on and off. This can be used to isolate a badly behaved slave on power-up until after the system power-up reset. It should never change state during an I²C-bus operation because disabling during a bus operation will hang the bus and enabling part way through a bus cycle could confuse the I²C-bus parts being enabled. The enable pin should only change state when the global bus and the repeater port are in an idle state to prevent system failures.

After power-up and with the EN HIGH, a LOW level on port A (below $0.3V_{CC(A)}$) turns the corresponding port B driver (either SDA or SCL) on and drives port B down to about 0.5 V. When port A rises above $0.3V_{CC(A)}$, the port B pull-down driver is turned off and the external pull-up resistor pulls the pin HIGH. When port B falls first and goes below $0.3V_{CC(B)}$ the port A driver is turned on and port A pulls down to 0 V. The port B pull-down is not enabled unless the port B voltage goes below 0.4 V. If the port B low voltage does not go below 0.5 V, the port A driver will turn off when port B voltage is above $0.7V_{CC(B)}$. If the port B low voltage goes below 0.4 V, the port B pull-down driver is enabled and port B will only be able to rise to 0.5 V until port A rises above $0.3V_{CC(A)}$. Then port B will continue to rise being pulled up by the external pull-up resistor. The $V_{CC(A)}$ is only used to provide the $0.3V_{CC(A)}$ reference to the port A input comparators and for the power good detect circuit. The PI6ULS5V9517B logic and all I/Os are powered by the $V_{CC(B)}$ pin.

As with the standard I²C system, pull-up resistors are required to provide the logic-high levels on the buffered bus. The PI6ULS5V9517B has standard open-collector configuration of the I²C bus. The size of these pull-up resistors depends on the system, but each side of the repeater must have a pull-up resistor. The device is designed to work with Standard mode and Fast mode I²C devices in addition to SMBus devices. Standard mode I²C devices only specify 3 mA in a generic I²C system, where Standard mode devices and multiple masters are possible. Under certain conditions, higher termination currents can be used.

Application Information

A typical application is shown in Figure 6. In this example, the system master is running on a 3.3 V I²C-bus while the slave is connected to a 1.2 V bus. Both buses run at 400 kHz. Master devices can be placed on either bus.

The PI6ULS5V9517B is 5-V tolerant, so it does not require any additional circuitry to translate between 0.8-V to 5.5-V bus voltages and 2.2-V to 5.5-V bus voltages.

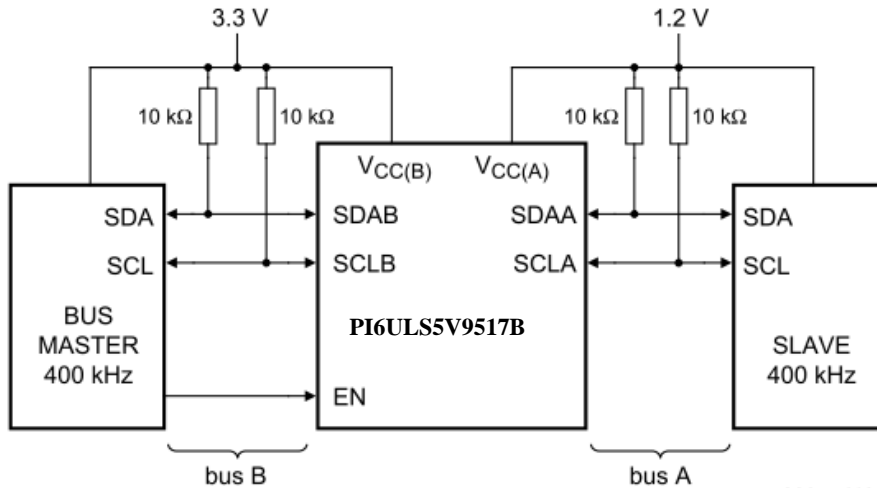


Figure 6: Typical Application

When port A of the PI6ULS5V9517B is pulled LOW by a driver on the I²C-bus, a comparator detects the falling edge when it goes below $0.3V_{CC(A)}$ and causes the internal driver on port B to turn on, causing port B to pull down to about 0.5 V. When port B of the PI6ULS5V9517B falls, first a CMOS hysteresis type input detects the falling edge and causes the internal driver on port A to turn on and pull the port A pin down to ground. In order to illustrate what would be seen in a typical application, refer to Figure 9 and Figure 10. If the bus master in Figure 6 were to write to the slave through the PI6ULS5V9517B, waveforms shown in Figure 9 would be observed on the A bus. This looks like a normal I²C-bustransmission except that the HIGH level may be as low as 0.8 V, and the turn on and turnoff of the acknowledge signals are slightly delayed.

On the B-side bus of the PI6ULS5V9517B, the clock and data lines would have a positive offset from ground equal to the VOL of the PI6ULS5V9517B. After the eighth clock pulse, the data line is pulled to the VOL of the slave device, which is very close to ground in this example. At the end of the acknowledge, the level rises only to the low level set by the driver in the PI6ULS5V9517B for a short delay, while the A-bus side rises above $0.3 V_{CC(A)}$ and then it continues high.

Multiple PI6ULS5V9517B port A sides can be connected in a star configuration (Figure 7), allowing all nodes to communicate with each other.

Multiple PI6ULS5V9517Bs can be connected in series (Figure 8) as long as port A is connected to port B. I²C-bus slave devices can be connected to any of the bus segments. The number of devices that can be connected in series is limited by repeater delay/time-of-flight considerations on the maximum bus speed requirements.

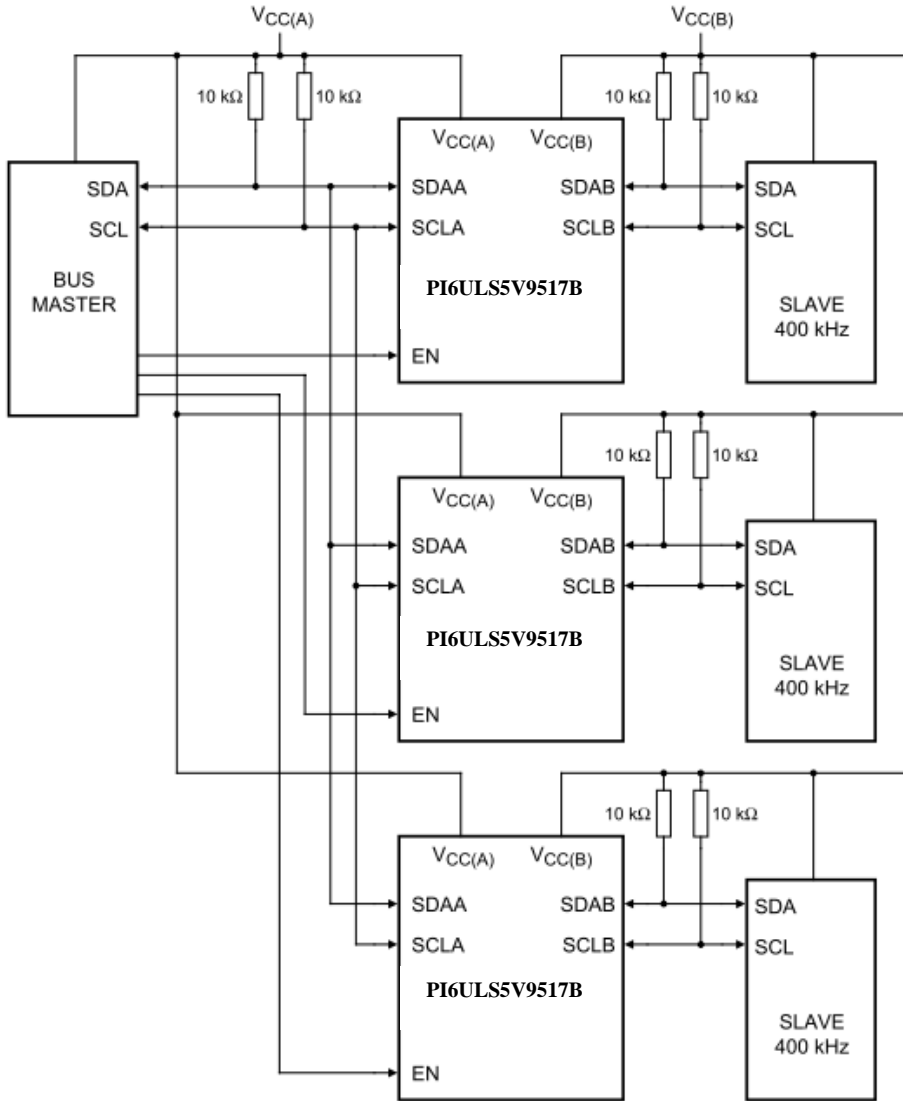


Figure 7: Typical Star Application

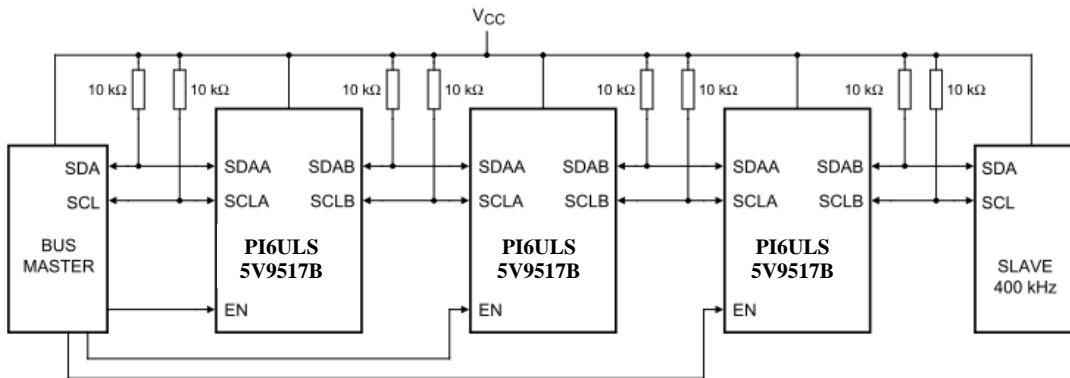


Figure 8: Typical Series Application

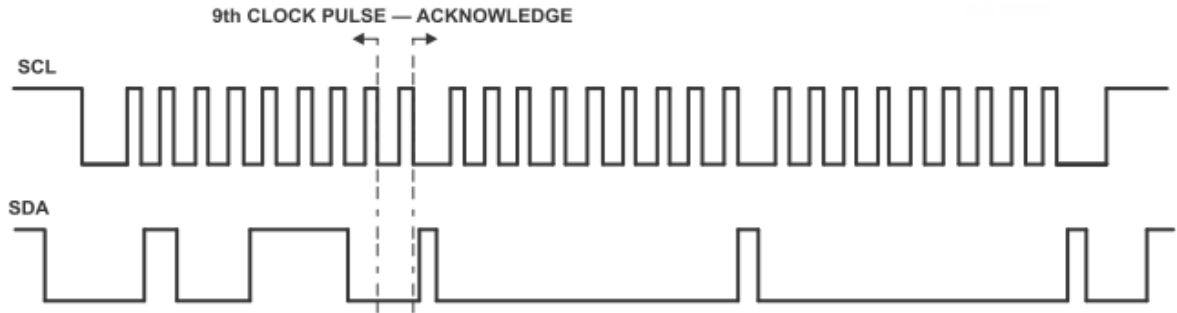


Figure 9: Bus A (0.8-V to 5.5-V Bus) Waveform

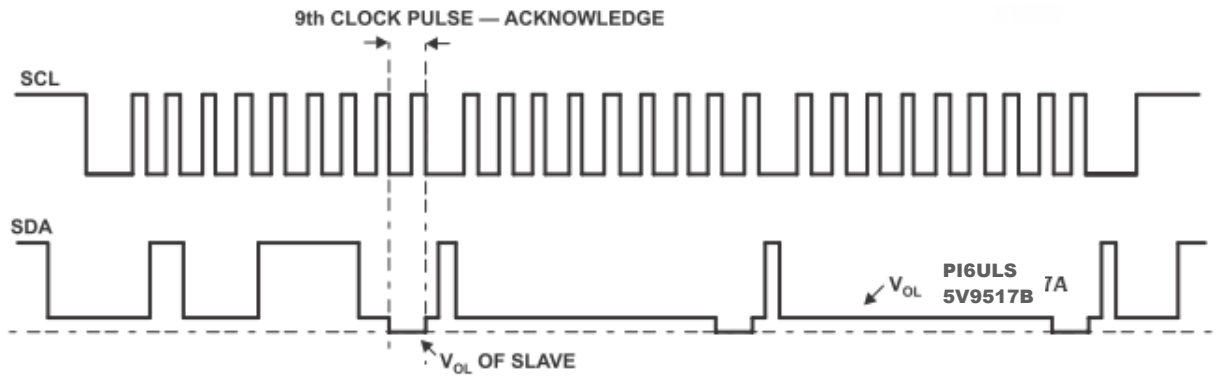


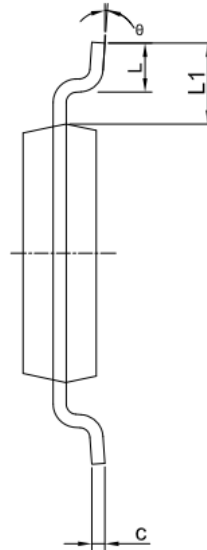
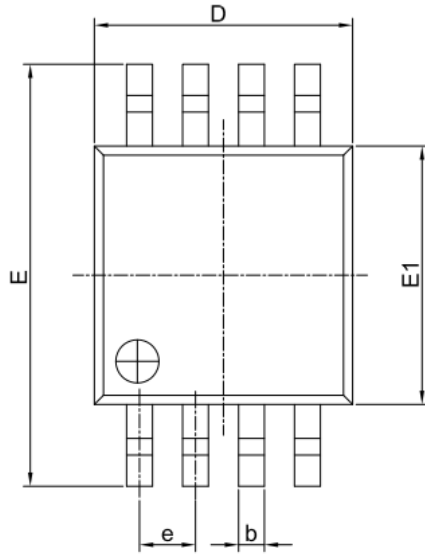
Figure 10: Bus B (2.2-V to 5.5-V Bus) Waveform

Part Marking

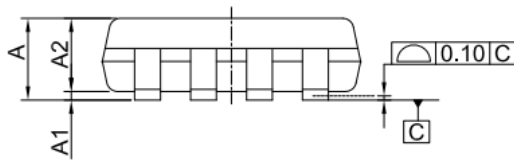
Top mark not available at this time. To obtain advance information regarding the top mark, please contact your local sales representative.

Packaging Mechanical

8-MSOP (U)



PKG DIMENSIONS(MM)		
SYMBOL	Min.	Max.
A	-	1.10
A1	0.00	0.15
A2	0.75	0.95
b	0.22	0.38
c	0.08	0.23
D	2.80	3.20
E	4.65	5.15
E1	2.80	3.20
e	0.65 BSC	
L	0.40	0.80
L1	0.95 REF	
θ	0°	8°



NOTE:

1. ALL DIMENSIONS ARE IN MILLIMETERS. ANGLES IN DEGREES.
2. REFER JEDEC MO-187F/AA
3. PACKAGE OUTLINE DIMENSIONS DO NOT INCLUDE MOLD FLASH AND METAL BURR.



DATE: 04/14/18

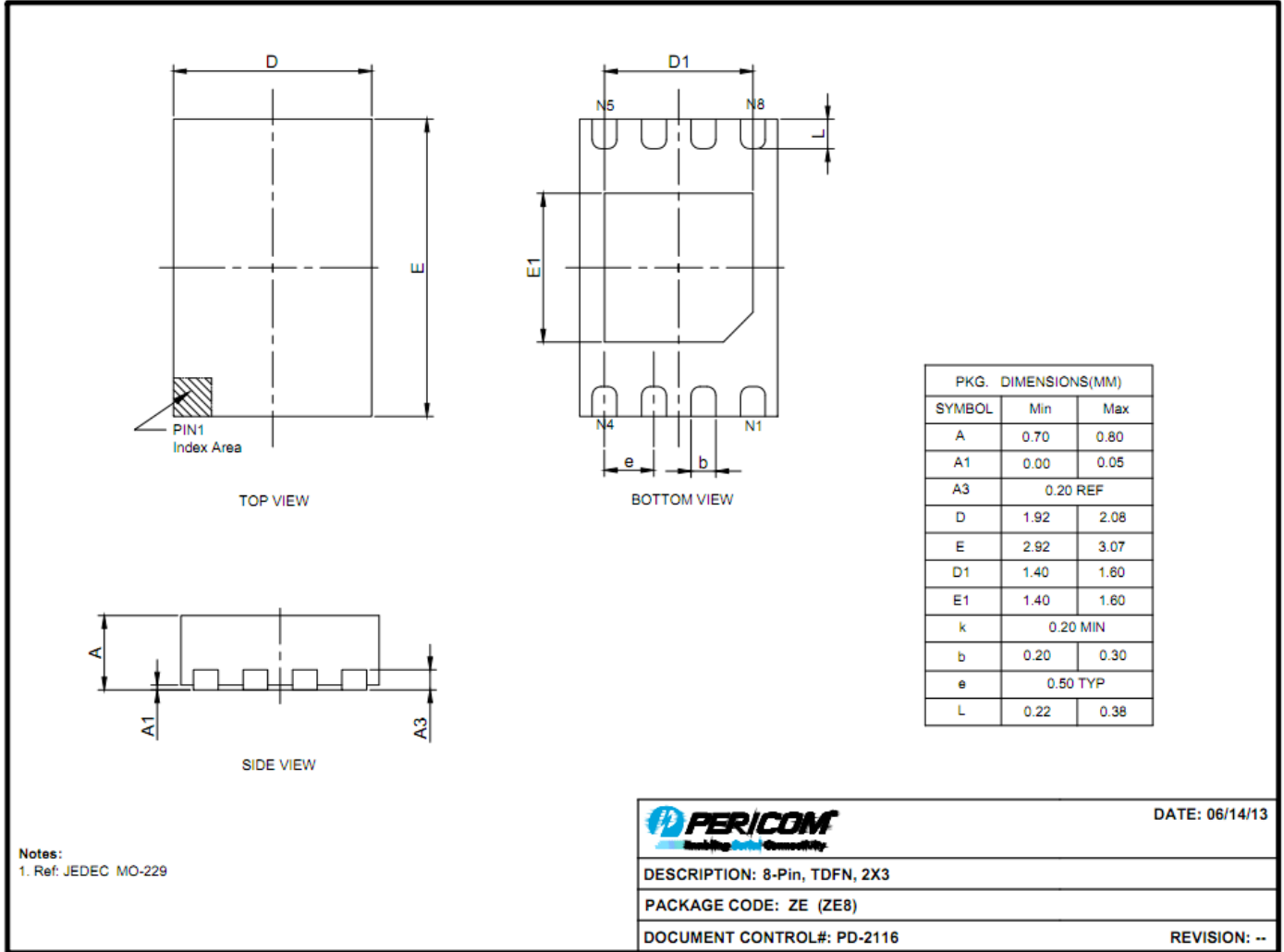
DESCRIPTION: 8-Pin, Mini Small Outline Package, MSOP

PACKAGE CODE: U (U8)

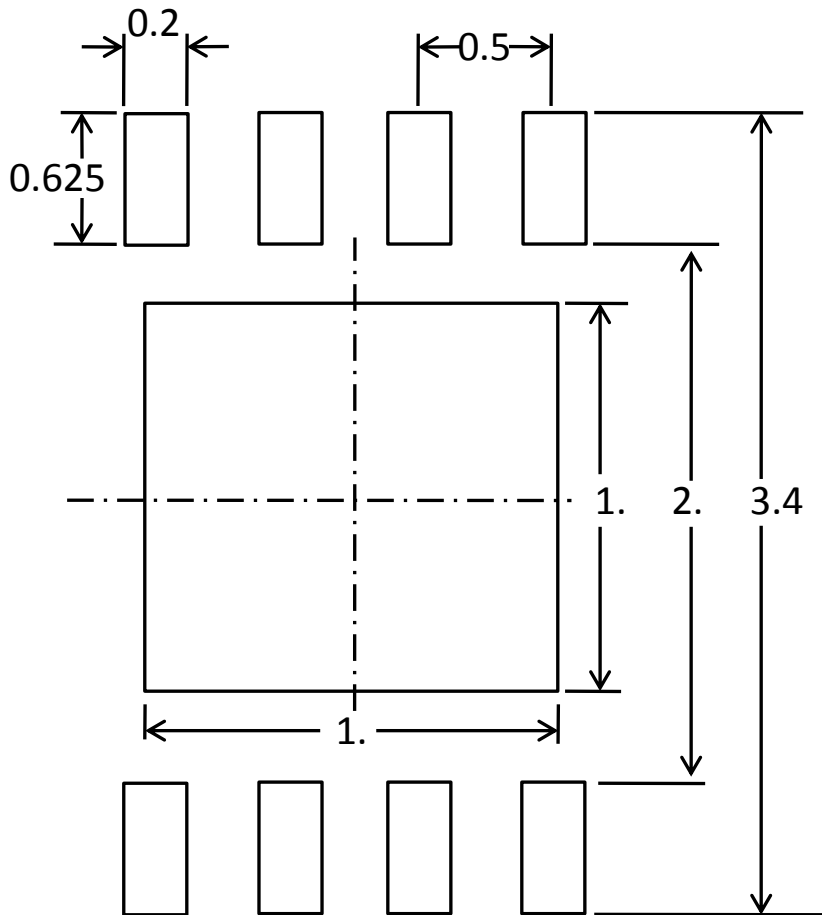
DOCUMENT CONTROL #: PD-1261

REVISION: F

8-TDFN (ZE)



Recommended Land pattern for TDFN2*3-8L



Note: All linear dimensions are in millimeters

For latest package info.

please check: <http://www.diodes.com/design/support/packaging/pericom-packaging/packaging-mechanicals-and-thermal-characteristics/>

Ordering Information

Part Number	Package Code	Package
PI6ULS5V9517BUEx	U	8-pin, Mini Small Outline Package (MSOP)
PI6ULS5V9517BZEEx	ZE	8-pin, 2x3 (TDFN)

Notes:

1. EU Directive 2002/95/EC (RoHS), 2011/65/EU (RoHS 2) & 2015/863/EU (RoHS 3) compliant. All applicable RoHS exemptions applied.
 2. See <http://www.diodes.com/quality/lead-free/> for more information about Diodes Incorporated's definitions of Halogen- and Antimony-free, "Green" and Lead-free.
 3. Thermal characteristics can be found on the company web site at www.diodes.com/design/support/packaging/
 4. E = Pb-free and Green
- X suffix = Tape/Reel

IMPORTANT NOTICE

DIODES INCORPORATED MAKES NO WARRANTY OF ANY KIND, EXPRESS OR IMPLIED, WITH REGARDS TO THIS DOCUMENT, INCLUDING, BUT NOT LIMITED TO, THE IMPLIED WARRANTIES OF MERCHANTABILITY AND FITNESS FOR A PARTICULAR PURPOSE (AND THEIR EQUIVALENTS UNDER THE LAWS OF ANY JURISDICTION).

Diodes Incorporated and its subsidiaries reserve the right to make modifications, enhancements, improvements, corrections or other changes without further notice to this document and any product described herein. Diodes Incorporated does not assume any liability arising out of the application or use of this document or any product described herein; neither does Diodes Incorporated convey any license under its patent or trademark rights, nor the rights of others. Any Customer or user of this document or products described herein in such applications shall assume all risks of such use and will agree to hold Diodes Incorporated and all the companies whose products are represented on Diodes Incorporated website, harmless against all damages.

Diodes Incorporated does not warrant or accept any liability whatsoever in respect of any products purchased through unauthorized sales channel.

Should Customers purchase or use Diodes Incorporated products for any unintended or unauthorized application, Customers shall indemnify and hold Diodes Incorporated and its representatives harmless against all claims, damages, expenses, and attorney fees arising out of, directly or indirectly, any claim of personal injury or death associated with such unintended or unauthorized application.

Products described herein may be covered by one or more United States, international or foreign patents pending. Product names and markings noted herein may also be covered by one or more United States, international or foreign trademarks.

This document is written in English but may be translated into multiple languages for reference. Only the English version of this document is the final and determinative format released by Diodes Incorporated.

LIFE SUPPORT

Diodes Incorporated products are specifically not authorized for use as critical components in life support devices or systems without the express written approval of the Chief Executive Officer of Diodes Incorporated. As used herein:

A. Life support devices or systems are devices or systems which:

1. are intended to implant into the body, or
2. support or sustain life and whose failure to perform when properly used in accordance with instructions for use provided in the labeling can be reasonably expected to result in significant injury to the user.

B. A critical component is any component in a life support device or system whose failure to perform can be reasonably expected to cause the failure of the life support device or to affect its safety or effectiveness.

Customers represent that they have all necessary expertise in the safety and regulatory ramifications of their life support devices or systems, and acknowledge and agree that they are solely responsible for all legal, regulatory and safety-related requirements concerning their products and any use of Diodes Incorporated products in such safety-critical, life support devices or systems, notwithstanding any devices- or systems-related information or support that may be provided by Diodes Incorporated. Further, Customers must fully indemnify Diodes Incorporated and its representatives against any damages arising out of the use of Diodes Incorporated products in such safety-critical, life support devices or systems.

Copyright © 2016, Diodes Incorporated
www.diodes.com



Компания «ЭлектроПласт» предлагает заключение долгосрочных отношений при поставках импортных электронных компонентов на взаимовыгодных условиях!

Наши преимущества:

- Оперативные поставки широкого спектра электронных компонентов отечественного и импортного производства напрямую от производителей и с крупнейших мировых складов;
- Поставка более 17-ти миллионов наименований электронных компонентов;
- Поставка сложных, дефицитных, либо снятых с производства позиций;
- Оперативные сроки поставки под заказ (от 5 рабочих дней);
- Экспресс доставка в любую точку России;
- Техническая поддержка проекта, помощь в подборе аналогов, поставка прототипов;
- Система менеджмента качества сертифицирована по Международному стандарту ISO 9001;
- Лицензия ФСБ на осуществление работ с использованием сведений, составляющих государственную тайну;
- Поставка специализированных компонентов (Xilinx, Altera, Analog Devices, Intersil, Interpoint, Microsemi, Aeroflex, Peregrine, Syfer, Eurofarad, Texas Instrument, Miteq, Cobham, E2V, MA-COM, Hittite, Mini-Circuits, General Dynamics и др.);

Помимо этого, одним из направлений компании «ЭлектроПласт» является направление «Источники питания». Мы предлагаем Вам помощь Конструкторского отдела:

- Подбор оптимального решения, техническое обоснование при выборе компонента;
- Подбор аналогов;
- Консультации по применению компонента;
- Поставка образцов и прототипов;
- Техническая поддержка проекта;
- Защита от снятия компонента с производства.



Как с нами связаться

Телефон: 8 (812) 309 58 32 (многоканальный)

Факс: 8 (812) 320-02-42

Электронная почта: org@eplast1.ru

Адрес: 198099, г. Санкт-Петербург, ул. Калинина, дом 2, корпус 4, литера А.