



GENERAL DESCRIPTION

The XRP29302 is a 3A, highly accurate voltage regulator with a low dropout voltage of 600mV (typical) at 3A.

This regulator is specifically designed for low voltage applications that require a low dropout voltage and a fast transient response. It is fully fault protected against over-current, reverse battery, and positive and negative voltage transients. On-Chip trimming adjusts the reference voltage to 1% initial accuracy.

The XRP29302 is offered in 5-pin TO-220 & TO-263 packages.

APPLICATIONS

- **Adjustable Power Supplies**
- **Constant Current Regulators**
- **Audio and Video/Graphic Cards**
- **Battery Chargers**

FEATURES

- **3A Guaranteed Output Current**
- **Low Dropout Voltage of 600mV @ 3A**
- **Adjustable Output down to 1.25V**
- **1% Output Accuracy**
- **Tight Load and Line Regulation**
- **Fast Transient Response**
- **Reverse Battery Protection**
- **Zero Current Shutdown**
- **Drop-in Replacement to SPX29302**
- **Lead Free 5-pin TO220 and TO263 Packages**

TYPICAL APPLICATION DIAGRAM

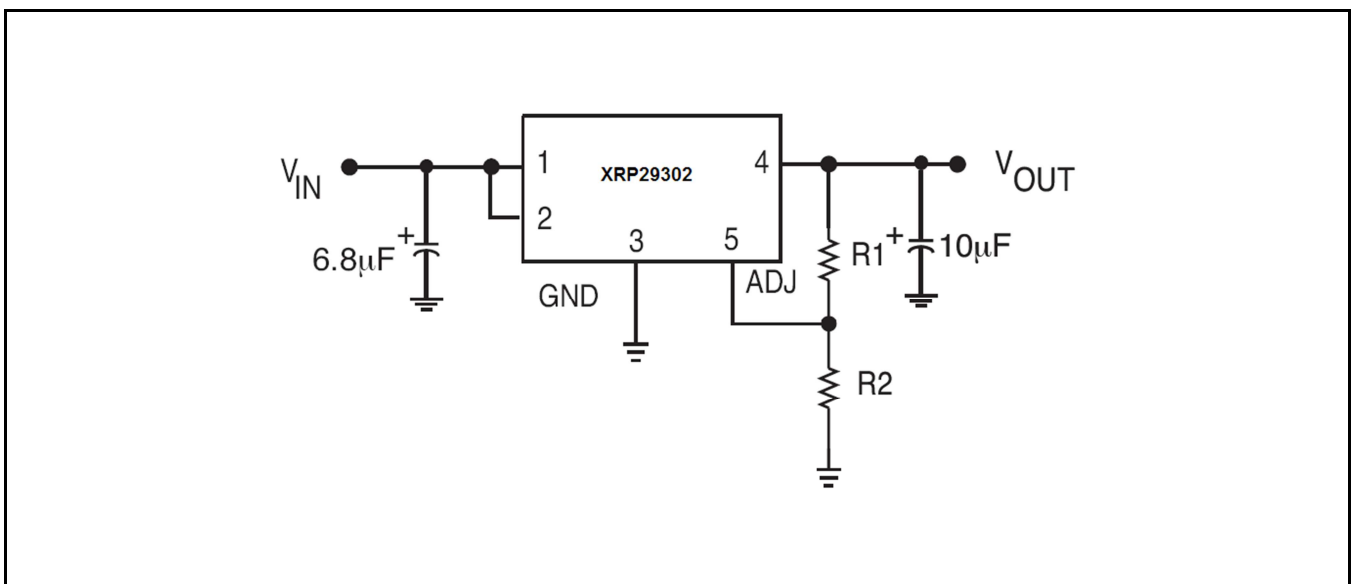


Fig. 1: XRP29302 Application Diagram



A New Direction in Mixed-Signal

3A Low Dropout Voltage Regulator

ABSOLUTE MAXIMUM RATINGS

These are stress ratings only and functional operation of the device at these ratings or any other above those indicated in the operation sections of the specifications below is not implied. Exposure to absolute maximum rating conditions for extended periods of time may affect reliability.

Input Voltage V_{IN}^1	20V
Storage Temperature.....	-65°C to 150°C
Lead Temperature (Soldering, 5 sec)	260°C
ESD Rating (HBM - Human Body Model)	
All pins except EN.....	2kV
En pin	1kV

OPERATING RATINGS

Input Voltage Range V_{IN}	16V
Junction Temperature Range	-40°C to 125°C
Thermal Resistance	
TO-220 Junction to Case @ T_A	3°C/W
TO-220 Junction to Ambient	60°C/W
TO-263 Junction to Case @ T_A	3°C/W
TO-263 Junction to Ambient	60°C/W

Note 1: Maximum positive supply voltage of 20V must be of limited duration (<100ms) and duty cycle of less than 1%. The maximum continuous supply voltage is 16V.

ELECTRICAL SPECIFICATIONS

Specifications with standard type are for an Operating Junction Temperature of $T_J = T_A = 25^\circ\text{C}$ only; limits applying over the full Operating Junction Temperature range are denoted by a "•". Minimum and Maximum limits are guaranteed through test, design, or statistical correlation. Typical values represent the most likely parametric norm at $T_J = 25^\circ\text{C}$, and are provided for reference purposes only. Unless otherwise indicated, $V_{IN} = V_{OUT} + 1\text{V}$ and $I_{OUT} = 10\text{mA}$, $C_{IN} = 6.8\mu\text{F}$, $C_{OUT} = 10\mu\text{F}$, $T_A = 25^\circ\text{C}$.

Parameter	Min.	Typ.	Max.	Units	Conditions	
Line Regulation		0.06	0.5	%	$I_{OUT} = 10\text{mA}$, $(V_{OUT} + 1\text{V}) \leq V_{IN} \leq 16\text{V}$	
Load Regulation		0.2	1	%	$V_{IN} = V_{OUT} + 1\text{V}$, $10\text{mA} \leq I_{OUT} \leq I_{FL}$ (note 2)	
$\Delta V/\Delta T$		20	100	ppm/ $^\circ\text{C}$	• V_{OUT} Temp Coefficient (note 6)	
Dropout Voltage (note 3)		120	300	mV	• $I_{OUT} = 100\text{mA}$	
		380			• $I_{OUT} = 1.5\text{A}$	
		525	650		• $I_{OUT} = 2.5\text{A}$, XRP29302A only	
		600	800		• $I_{OUT} = 3\text{A}$	
Ground Current (note 5)		30	60	mA	• $I_{OUT} = 1.5\text{A}$	
		40			• $I_{OUT} = 3\text{A}$	
Ground Pin Current at Dropout		0.9		mA	$V_{IN} = 0.5\text{V}$ less than specified V_{OUT} $I_{OUT} = 10\text{mA}$	
Current Limit	3.0	4.5		A	$V_{OUT} = 0\text{V}$ (note 4)	
Output Noise Voltage		400		μV_{RMS}	10Hz-100KHz, $I_{OUT} = 100\text{mA}$, $C_{OUT} = 10\mu\text{F}$	
		260			10Hz-100KHz, $I_{OUT} = 100\text{mA}$, $C_{OUT} = 33\mu\text{F}$	
Reference Voltage	1.228	1.24	1.252	V		
	1.215		1.265	V	•	
Adjust Pin Bias Current		40	80	nA		
			120		•	
Reference Voltage Temperature Coefficient		20		ppm/ $^\circ\text{C}$	Note 7	
Adjust Pin Bias Current Temperature Coefficient		0.1		nA/ $^\circ\text{C}$		
Enable Input						
Input Logic Voltage Low (OFF)			0.8	V	• $V_{IN} < 10\text{V}$	
Input Logic Voltage High (ON)	2.4					
Enable Input Pin		100	600	μA	• $V_{EN} = 16\text{V}$	
			750			
			1			• $V_{EN} = 0.8\text{V}$
			2			
Regulator Output Current in Shutdown		10	500	μA	• Note 8	

Note 2: Full load current (I_{FL}) is defined as 3.0A.

Note 3: Dropout voltage is defined ($V_{IN} - V_{OUT}$) when the output voltage drops to 99% of its nominal value.

Note 4: $V_{IN} = V_{OUT}(\text{nom}) + 1\text{V}$. Use pulse-testing procedures to minimize temperature rise.

3A Low Dropout Voltage Regulator

Note 5: Ground pin current is the regulator quiescent current. The total current drawn from the source is the sum of the load current to the ground current.

Note 6: Output voltage temperature coefficient is defined as the worst case voltage change divided by the total temperature range

Note 7: Thermal regulation is defined as the change in output voltage at time T after a change in power dissipation is applied, excluding load/line regulation effects. Specifications for a 200mA load pulse as $V_{IN}=20V$ (a 4W pulse) for $t=10ms$.

Note 8: $V_{EN} \leq 0.8V$ and $V_{IN} \leq 16V$, $V_{OUT} = 0$.

BLOCK DIAGRAM

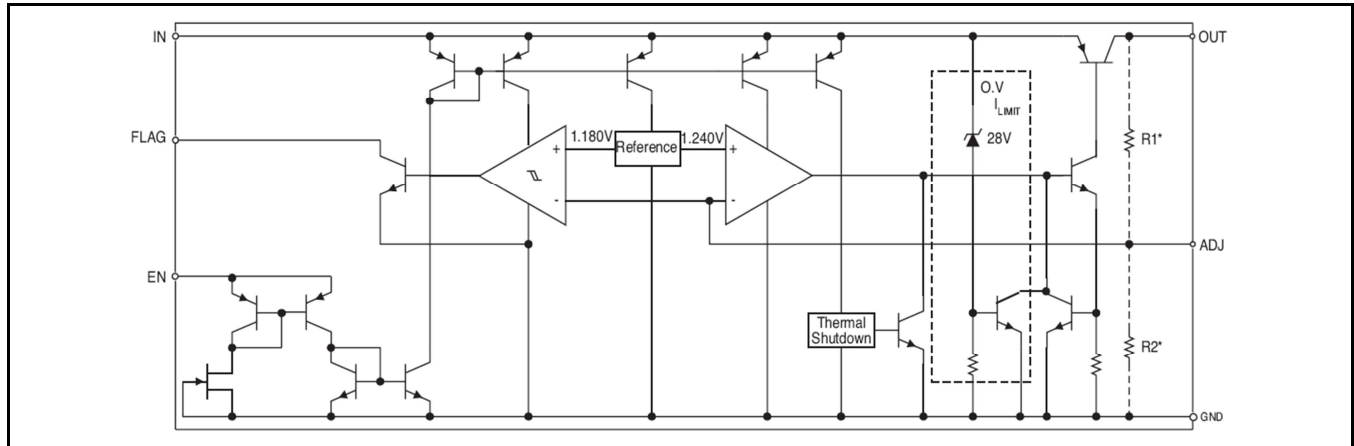


Fig. 2: XRP29302 Block Diagram

PIN ASSIGNMENT

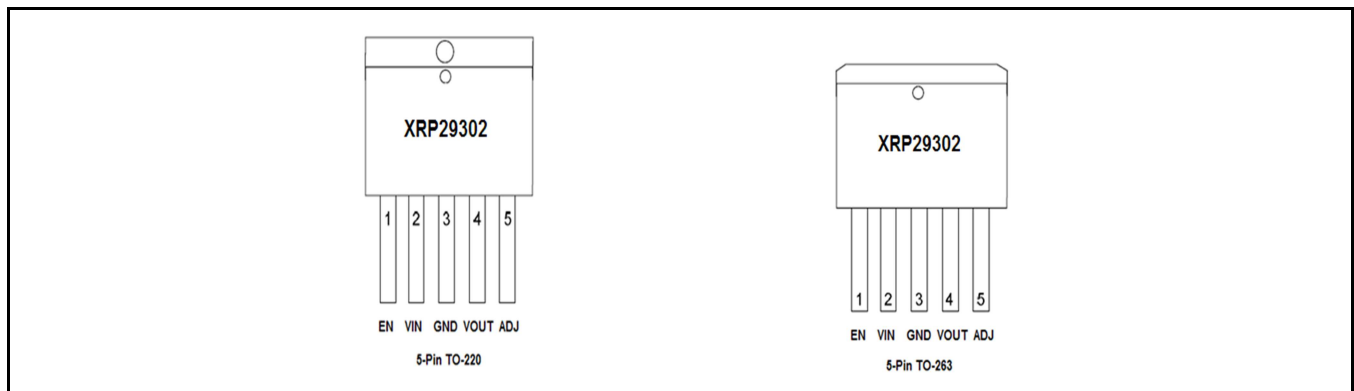


Fig. 3: XRP29302 Pin Assignment



A New Direction in Mixed-Signal

XRP29302

3A Low Dropout Voltage Regulator

ORDERING INFORMATION

Part Number	Junction Temperature Range	Marking	Package	Packing Quantity	Note 1	Note 2
XRP29302ET-L	$-40^{\circ}\text{C} \leq T_j \leq +125^{\circ}\text{C}$	XRP29302E YYWW X	5-pin TO220	Bulk	Lead Free	
XRP29302ETB-L	$-40^{\circ}\text{C} \leq T_j \leq +125^{\circ}\text{C}$	XRP29302E YYWW X	5-pin TO263	Bulk	Lead Free	
XRP29302ETBTR-L	$-40^{\circ}\text{C} \leq T_j \leq +125^{\circ}\text{C}$	XRP29302E YYWW X	5-pin TO263	500/Tape & Reel	Lead Free	
XRP29302AETB-L	$-40^{\circ}\text{C} \leq T_j \leq +125^{\circ}\text{C}$	XRP29302E YYWW X	5-pin TO263	Bulk	Lead Free	Adjustable
XRP29302AETBTR-L				500/Tape & Reel		

“YY” = Year - “WW” = Work Week - “X” = Lot Number

Note: XRP29302AETB-L has the same package marking as XRP29302ETB-L. The “A” designator is only provided on the packaging label.

TYPICAL PERFORMANCE CHARACTERISTICS

All data taken at $V_{IN} = V_{OUT} + 1V$, $T_j = T_A = 25^\circ C$, unless otherwise specified.

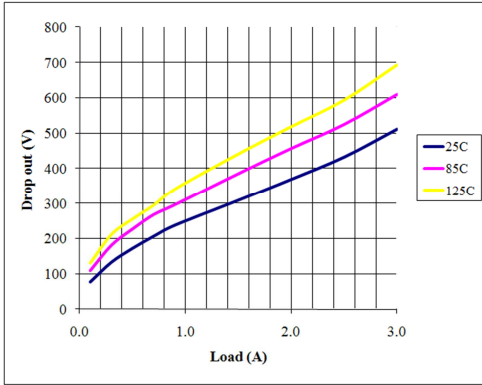


Fig. 4: Dropout Voltage vs Load Current

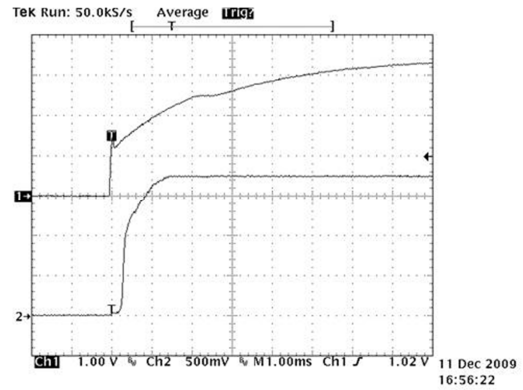


Fig. 5: Startup

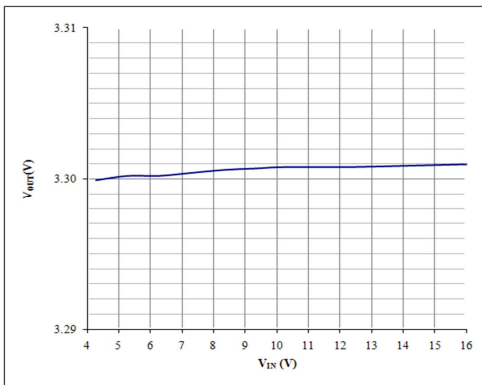


Fig. 6: Line Regulation
 $I_{OUT}=10mA$, $V_{OUT}=3.3V$

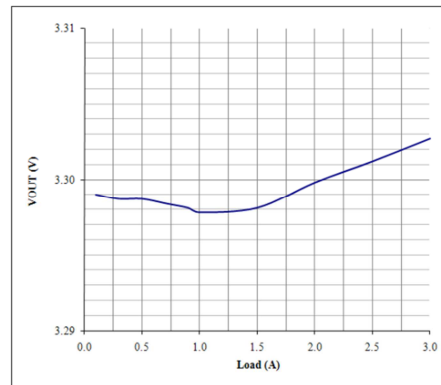


Fig. 7: Load Regulation
 $V_{OUT}=3.3V$

THEORY OF OPERATION

The XRP29302 incorporates protection against over-current faults, reversed load insertion, over temperature operation, and positive and negative transient voltage.

THERMAL CONSIDERATIONS

Although the XRP29302 offers limiting circuitry for overload conditions, it is still necessary to insure that the maximum junction temperature is not exceeded in the application. Heat will flow through the lowest resistance path, the junction-to-case path. In order to insure the best thermal flow of the component, proper mounting is required.

TO-220 DESIGN EXAMPLE:

Assume that $V_{IN} = 10V$, $V_{OUT} = 5V$, $I_{OUT} = 1.5A$, $T_A = 50^{\circ}C$, $\theta_{HA} = 1^{\circ}C/W$, $\theta_{CH} = 2^{\circ}C/W$, and $\theta_{JC} = 3^{\circ}C/W$, where:

- T_A = ambient temperature,
- θ_{HA} = heatsink to ambient thermal resistance
- θ_{CH} = case to heatsink thermal resistance
- θ_{JC} = junction to case thermal resistance

The power calculated under these conditions is:

$$P_D = (V_{IN} - V_{OUT}) \times I_{OUT} = 7.5W$$

And the junction temperature is calculated as

$$T_j = T_A + P_D \times (\theta_{HA} + \theta_{CH} + \theta_{JC})$$

or

$$T_j = 50 + 7.5 \times (1 + 2 + 3) = 95^{\circ}C$$

Reliable operation is insured.

CAPACITOR REQUIREMENTS

The output capacitor is needed to insure stability and minimize the output noise. The value of the capacitor varies with the load. However, a minimum value of 10 μ F aluminum capacitor will guarantee stability over all load conditions.

A tantalum capacitor is recommended if a faster load transient response is needed. If the power source has high AC impedance, a 0.1 μ F ceramic capacitor between input & ground is recommended.

MINIMUM LOAD CURRENT

To ensure a proper behavior of the regulator under light load, a minimum load of 5mA for XRP29302 is required.

ADJUSTABLE REGULATOR DESIGN

The XRP29302 is an adjustable regulator that can be programmed to any value between 1.25V and 16V using 2 external resistors, R1 and R2. The relationship between the resistors and the output voltage is:

$$R_1 = R_2 \times \left(\frac{V_{OUT}}{1.240} - 1 \right)$$

ENABLE INPUT

The XRP29302 has an Enable function that switches the regulator on and off. Their thresholds are TTL compatible. When the regulator is active, approximately 20 μ A flows through the Enable pin.

TYPICAL APPLICATION CIRCUITS

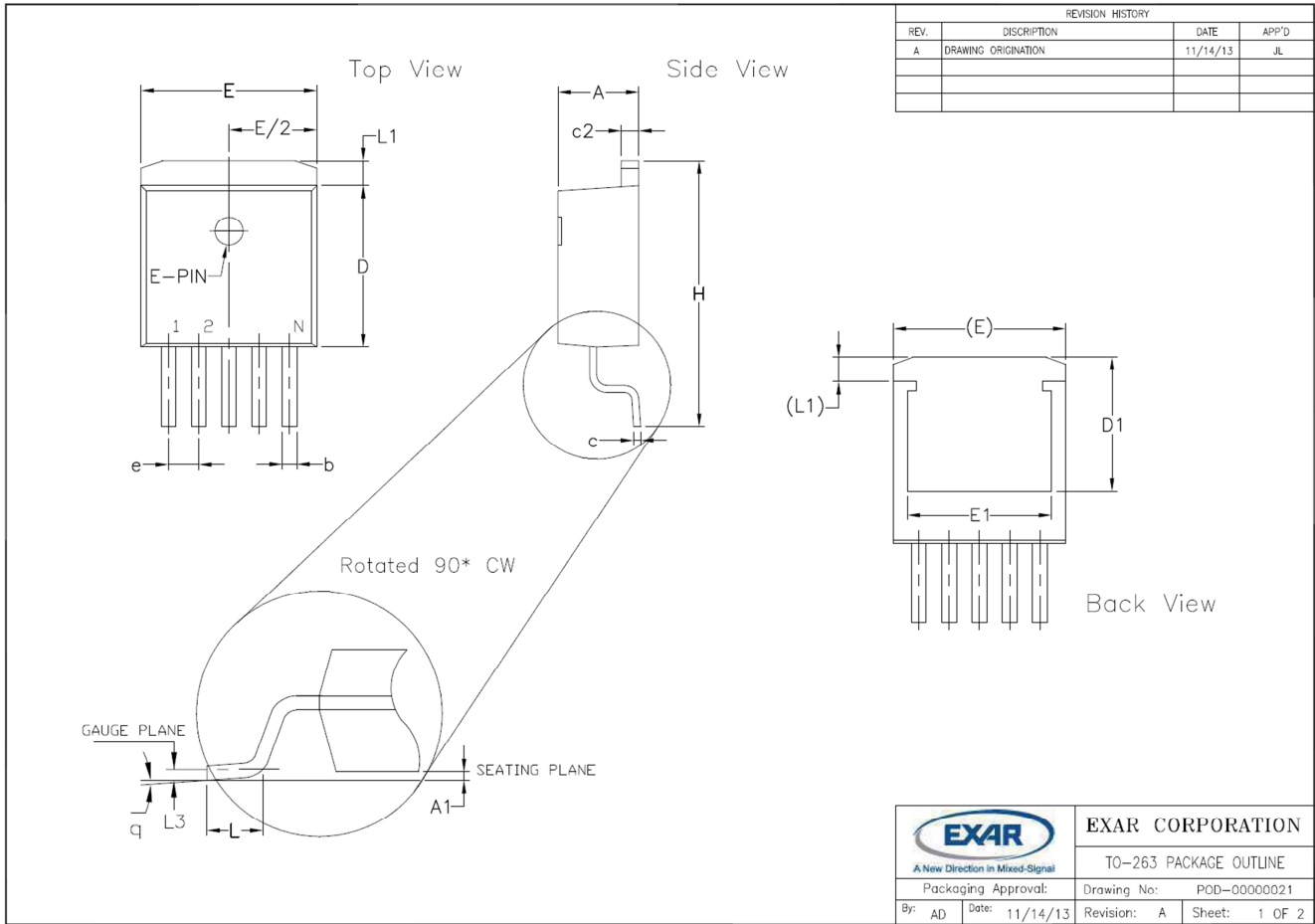

Figure 1 represents the typical implementation for an adjustable output regulator. The values of R1 and R2 set the output voltage value as follows:

$$V_{OUT} = V_{REF} \times \left(1 + \frac{R_1}{R_2} \right)$$

A minimum value of 10kohms is recommended for R2 with a range between 10k Ω and 47k Ω .

PACKAGE SPECIFICATION

5-PIN TO263

EXAR CORPORATION
TO-263 PACKAGE OUTLINE


By: AD Date: 11/14/13

Packaging Approval: Drawing No: POD-0000021
Revision: A Sheet: 1 OF 2

ECN 1346-06 11/14/2013

3 Pin TO-263 JEDEC TO-263 Variation AA				5 Pin TO-263 JEDEC TO-263 Variation BA			
SYMBOLS	DIMENSIONS IN INCH (Control Unit)			DIMENSIONS IN MM (Reference Unit)			
	MIN	NOM	MAX	MIN	NOM	MAX	
A	0.160	---	0.190	4.06	---	4.83	
A1	0.000	---	0.010	0.00	---	0.25	
b	0.020	---	0.039	0.51	---	0.99	
b2	0.045	---	0.070	1.14	---	1.78	
c	0.015	---	0.029	0.38	---	0.74	
c2	0.045	---	0.065	1.14	---	1.65	
D	0.330	---	0.380	8.38	---	9.65	
D1	0.270	---	---	6.86	---	---	
E	0.380	---	0.420	9.65	---	10.67	
E1	0.245	---	---	6.22	---	---	
e	0.100 BSC			2.54 BSC			
H	0.575	---	0.625	14.61	---	15.88	
L	0.070	---	0.110	1.78	---	2.79	
L1	---	---	0.066	---	---	1.68	
L3	0.010 BSC			0.25 BSC			
Q	0"	3	8"	0"	3	8"	
N	3			5			

3 Pin TO-263 JEDEC TO-263 Variation AA				5 Pin TO-263 JEDEC TO-263 Variation BA			
SYMBOLS	DIMENSIONS IN INCH (Control Unit)			DIMENSIONS IN MM (Reference Unit)			
	MIN	NOM	MAX	MIN	NOM	MAX	
A	0.160	---	0.190	4.06	---	4.83	
A1	0.000	---	0.010	0.00	---	0.25	
b	0.020	---	0.039	0.51	---	0.99	
b2	0.045	---	0.070	1.14	---	1.78	
c	0.015	---	0.029	0.38	---	0.74	
c2	0.045	---	0.065	1.14	---	1.65	
D	0.330	---	0.380	8.38	---	9.65	
D1	0.270	---	---	6.86	---	---	
E	0.380	---	0.420	9.65	---	10.67	
E1	0.245	---	---	6.22	---	---	
e	0.067 BSC			1.70 BSC			
H	0.575	---	0.625	14.61	---	15.88	
L	0.070	---	0.110	1.78	---	2.79	
L1	---	---	0.066	---	---	1.68	
L3	0.010 BSC			0.25 BSC			
Q	0"	5	8"	0"	5	8"	
N	5			5			



EXAR CORPORATION
TO-263 PACKAGE OUTLINE

By: AD Date: 11/14/13

Packaging Approval: Drawing No: POD-0000021
Revision: A Sheet: 2 OF 2

ECN 1346-06 11/14/2013

*: Dimension "A" (overall package thickness) is controlled to 0.181" maximum for XRP29302 only. Typical dimension "A" guaranteed for any other device in a 5-pin TO263 is 0.190" inch maximum.

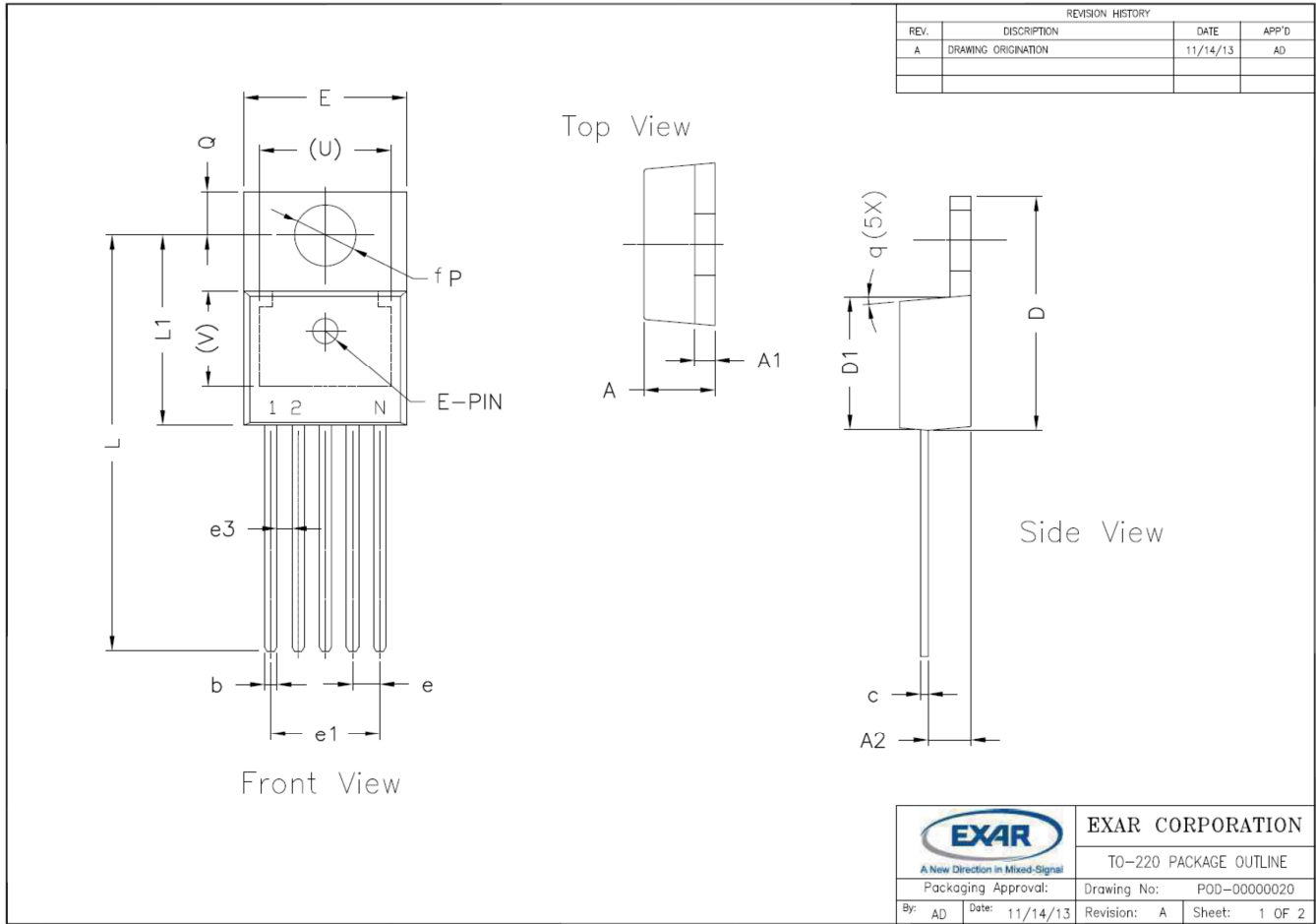


A New Direction in Mixed-Signal

XRP29302

3A Low Dropout Voltage Regulator

5-PIN TO220



ECN 1346-06 11/14/2013

3 Pin TO-220 (Option 1)* JEDEC TO-220-AB					3 Pin TO-220 (Option 2)*					5 Pin TO-220 JEDEC TS-001 Variation AA				
SYMBOLS	DIMENSIONS IN INCH (Control Unit)		DIMENSIONS IN MM (Reference Unit)		SYMBOLS	DIMENSIONS IN INCH (Control Unit)		DIMENSIONS IN MM (Reference Unit)		SYMBOLS	DIMENSIONS IN INCH (Control Unit)		DIMENSIONS IN MM (Reference Unit)	
	MIN	MAX	MIN	MAX		MIN	MAX	MIN	MAX		MIN	MAX	MIN	MAX
A	0.140	0.190	3.56	4.82	A	0.140	0.190	3.56	4.82	A	0.165	0.190	4.19	4.82
A1	0.020	0.055	0.51	1.40	A1	0.020	0.055	0.51	1.40	A1	0.035	0.055	0.89	1.39
A2	0.080	0.115	2.03	2.92	A2	0.080	0.115	2.03	2.92	A2	0.085	0.115	2.16	2.92
b	0.015	0.040	0.38	1.02	b	0.015	0.040	0.38	1.02	b	0.020	0.040	0.51	1.01
c	0.014	0.024	0.36	0.61	c	0.014	0.024	0.36	0.61	c	0.012	0.025	0.31	0.63
D	0.560	0.650	14.22	16.51	D	0.560	0.650	14.22	16.51	D	0.570	0.625	14.48	15.87
D1	0.330	0.355	8.38	9.02	D1	0.330	0.355	8.38	9.02	D1	0.330	0.370	8.39	9.39
D2	0.480	0.507	12.19	12.88	D2	0.480	0.507	12.19	12.88	E	0.390	0.415	9.91	10.54
E	0.380	0.420	9.65	10.67	E	0.380	0.420	9.65	10.67	e	0.067	BSC	1.70	BSC
E1	0.270	0.350	6.86	8.89	E1	0.270	0.350	6.86	8.89	e1	0.263	0.273	6.68	6.93
e	0.100	BSC	2.54	BSC	e	0.100	BSC	2.54	BSC	e3	0.030	0.040	0.76	1.02
e1	0.200	BSC	5.08	BSC	e1	0.200	BSC	5.08	BSC	L	0.945	1.045	24.00	26.54
H1	0.230	0.270	5.84	6.86	H1	0.230	0.270	5.84	6.86	L1	0.465	0.539	11.81	13.69
L	0.500	0.580	12.70	14.73	L	0.500	0.580	12.70	14.73	P	0.139	0.156	3.53	3.96
L1	—	0.250	—	6.35	L1	0.345	BSC	8.76	BSC	Q	0.103	0.113	2.62	2.87
P	0.139	0.156	3.53	3.96	P	0.139	0.156	3.53	3.96	U	0.300	REF	7.62	REF
Q	0.103	0.113	2.62	2.87	Q	0.103	0.113	2.62	2.87	V	0.240	REF	6.10	REF
V	0.240	REF	6.10	REF	V	0.240	REF	6.10	REF	q	3"	7"	3"	7"
q	3"	7"	3"	7"	q	3"	7"	3"	7"	N	3	5	3	5
N	3	5	3	5	N	3	5	3	5					

* Refer to product datasheet for POD option being used

EXAR CORPORATION
TO-220 PACKAGE OUTLINE
Packaging Approval: Drawing No: POD-0000020
By: AD Date: 11/14/13 Revision: A Sheet: 2 OF 2

ECN 1346-06 11/14/2013



A New Direction in Mixed-Signal

XRP29302

3A Low Dropout Voltage Regulator

REVISION HISTORY

Revision	Date	Description
1.0.0	12/17/2009	Initial Release of Datasheet
1.1.0	12/23/2009	Addition of ESD data
1.2.0	10/19/2010	Corrected Adjustable Regulator Design paragraph equation
1.3.0	11/25/2013	Added XRP29302A with 2.5A dropout specification Updated Package Outline Drawing. ECN 1348-10
1.4.0	03/25/2014	Corrected pin out drawings where EN was shown as VIN. [ECN 1414-12 4/1/14]

FOR FURTHER ASSISTANCE

Email:

customersupport@exar.com

powertechsupport@exar.com

Exar Technical Documentation:

<http://www.exar.com/TechDoc/default.aspx?>



EXAR CORPORATION

HEADQUARTERS AND SALES OFFICES

48720 Kato Road

Fremont, CA 94538 – USA

Tel.: +1 (510) 668-7000

Fax: +1 (510) 668-7030

www.exar.com

NOTICE

EXAR Corporation reserves the right to make changes to the products contained in this publication in order to improve design, performance or reliability. EXAR Corporation assumes no responsibility for the use of any circuits described herein, conveys no license under any patent or other right, and makes no representation that the circuits are free of patent infringement. Charts and schedules contained here in are only for illustration purposes and may vary depending upon a user's specific application. While the information in this publication has been carefully checked; no responsibility, however, is assumed for inaccuracies.

EXAR Corporation does not recommend the use of any of its products in life support applications where the failure or malfunction of the product can reasonably be expected to cause failure of the life support system or to significantly affect its safety or effectiveness. Products are not authorized for use in such applications unless EXAR Corporation receives, in writing, assurances to its satisfaction that: (a) the risk of injury or damage has been minimized; (b) the user assumes all such risks; (c) potential liability of EXAR Corporation is adequately protected under the circumstances.

Reproduction, in part or whole, without the prior written consent of EXAR Corporation is prohibited.



Компания «ЭлектроПласт» предлагает заключение долгосрочных отношений при поставках импортных электронных компонентов на взаимовыгодных условиях!

Наши преимущества:

- Оперативные поставки широкого спектра электронных компонентов отечественного и импортного производства напрямую от производителей и с крупнейших мировых складов;
- Поставка более 17-ти миллионов наименований электронных компонентов;
- Поставка сложных, дефицитных, либо снятых с производства позиций;
- Оперативные сроки поставки под заказ (от 5 рабочих дней);
- Экспресс доставка в любую точку России;
- Техническая поддержка проекта, помощь в подборе аналогов, поставка прототипов;
- Система менеджмента качества сертифицирована по Международному стандарту ISO 9001;
- Лицензия ФСБ на осуществление работ с использованием сведений, составляющих государственную тайну;
- Поставка специализированных компонентов (Xilinx, Altera, Analog Devices, Intersil, Interpoint, Microsemi, Aeroflex, Peregrine, Syfer, Eurofarad, Texas Instrument, Miteq, Cobham, E2V, MA-COM, Hittite, Mini-Circuits, General Dynamics и др.);

Помимо этого, одним из направлений компании «ЭлектроПласт» является направление «Источники питания». Мы предлагаем Вам помощь Конструкторского отдела:

- Подбор оптимального решения, техническое обоснование при выборе компонента;
- Подбор аналогов;
- Консультации по применению компонента;
- Поставка образцов и прототипов;
- Техническая поддержка проекта;
- Защита от снятия компонента с производства.



Как с нами связаться

Телефон: 8 (812) 309 58 32 (многоканальный)

Факс: 8 (812) 320-02-42

Электронная почта: org@eplast1.ru

Адрес: 198099, г. Санкт-Петербург, ул. Калинина, дом 2, корпус 4, литера А.