

REFERENCE SPECIFICATIONS

-NFC 93425 (in compliance with HE 507)

PHYSICAL CHARACTERISTICS

- INSULATOR MATERIAL: THERMOPLASTIC ,UL94V0
- CONTACT MATERIAL: BRASS
- ACCESSORIES: BRASS
- SHELLS: STEEL

ELECTRICAL CHARACTERISTICS

- NOMINAL CURRENT: 30A
- CONTACT RESISTANCE: <= 7.3 m ohms
- CONTACT/CONTACT : >=1000 V
- CONTACT/GROUND : >=1200 V
- INSULATION RESISTANCE: >=5000 MOhms

ENVIRONMENTAL CHARACTERISTICS

- CLIMATIC CATEGORY: 55/125/21
- TEMPERATURE RANGE -55°C TO +125°C
- DAMP HEAT STEADY STATE 21 DAYS
- SALT SPRAY 24 HOURS

MECHANICAL CHARACTERISTICS

- RETENTION AGAINST TORQUE: - Threaded insert: 0.7 N.m minimum
- Female screw : 0.5 N.m minimum

NOTE RoHS INFORMATION

- The "LF" products meet european union Directives and other country regulations as described in GS-22-008.
- The housing will withstand exposure to 260°C peak temperature for 3.5 seconds in a wave solder application with a 1.6mm minimum thick circuit board. See application notes/procedures if they are available.
- Termination plating spec:
 - Ni 1.27µm+Sn 2.5 to 7.5µm(pure bright)
- Active area plating spec:
 - Ni + Gold
 - Shell plating :2 to 4µm Cu + Ni + 3 to 10µm Sn(pure bright)
 - Accessories: Sn pure bright + nickel
- Packaging spec: See GS-14-920

DBL5W5P700G30LF

Series

Shell size: **E A B C**
see sheet 3

Front accessory definition
see sheet 2

- blank** :without accessory
- L** :threaded insert M3
- O** :threaded insert UNC 4-40
- V** :female screw UNC 4-40

Layout of contacts (see sheets)

Contacts

P :Pin

Termination type
7 Right angle/USA

- Plating
- 00** 200 matings/unmatings
 - 43** 500 matings/unmatings

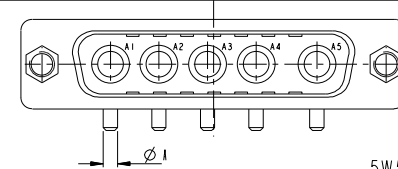
- PCB accessories definition
see sheet 2
- A** :without accessory
 - H** :Metal brackets+harpoons for PCB 2.40mm
 - G** :Metal brackets+harpoons for PCB 1.60mm
 - M** :Metal brackets

- Power contacts
- 00** :Not fitted with power contact (signal contacts always fitted)
 - 30** :Fitted with power contacts 30 Amp.

See note RoHS

TABLE 1:PCB HOLE DIAMETERS

| | POWER CONTACTS | | ACCESSORIES |
|-------------------|----------------|------------------|------------------|
| 30 A | Ø2.00 | Ø2.40 | Ø3.10 |
| Max current power | ØA +0.1 0 | PCB HOLE +/ -0.1 | PCB HOLE +/ -0.1 |



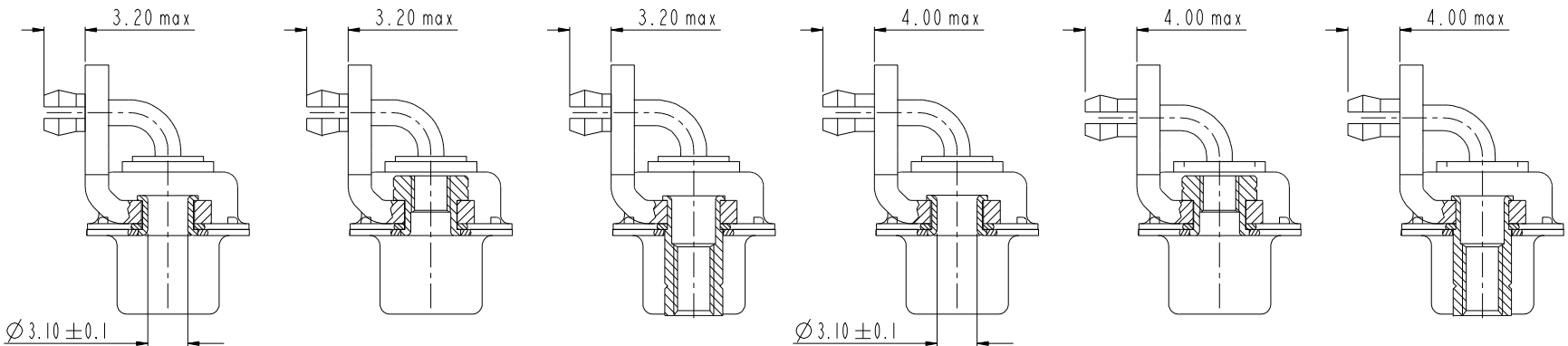
5W5 FOR EXAMPLE

| | | | | | |
|---------------------------------------|----------|------------|------------------|-------------|--------------|
| www.fciconnect.com | | surface | tolerance std | projection | mm |
| | | ISO 1302 | ISO 406 ISO 1101 | | |
| TOLERANCES UNLESS OTHERWISE SPECIFIED | | | | | |
| Dr | M PESSON | 2005-10-11 | ANGULAR | 0.X ±0.3 | size A2 |
| Eng | P LEGARE | 2005-10-11 | LINEAR | 0.XX ±0.1 | Scale 2:1 |
| Chr | | | 0° ±2° | 0.XXX ±0.05 | ECN F09-0092 |
| Appr | | | Product family | - | Spec ref |

| rev | ecn no | dr | date | title | lang no | Rev. |
|-----|-----------|-----|------------|--------------------------------|---------------|------|
| A | LS05-0113 | WPE | 2005-10-11 | SUB MALE DW US foot print | C01-8639-2313 | D |
| B | LS06-0208 | LGO | 2006-12-13 | full power right angled solder | | |
| C | LS07-0273 | WPE | 2007/11/05 | | | |
| D | F09-0092 | LSA | 2009/09/16 | | | |



| | | | | | | |
|-----------------|----------------------|--|--------------------------|-------------------------|--|--------------------------|
| FRONT ACCESSORY | Blank Without | L insert M3 O insert UNC 4.40 | V insert UNC 4.40 | Blank Without | L insert M3 O insert UNC 4.40 | V insert UNC 4.40 |
| PCB ACCESSORIES | A Without | A Without | A Without | M Metal brackets | M Metal brackets | M Metal bracket |



| | | | | | | |
|-----------------|---|---|---|---|---|---|
| FRONT ACCESSORY | Blank Without | L insert M3 O insert UNC 4.40 | V insert UNC 4.40 | Blank Without | L insert M3 O insert UNC 4.40 | V insert UNC 4.40 |
| PCB ACCESSORIES | G Metal brackets + harpoons for PCB 1.60mm | G Metal brackets + harpoons for PCB 1.60mm | G Metal brackets + harpoons for PCB 1.60mm | H Metal brackets + harpoons for PCB 2.40mm | H Metal brackets + harpoons for PCB 2.40mm | H Metal brackets + harpoons for PCB 2.40mm |

| | | | | |
|---------------------------------------|----------|---------------------|-----------------------------------|------------------|
| www.fciconnect.com | | surface ISO 1302 | tolerance std ISO 406 ISO 1101 | projection mm |
| TOLERANCES UNLESS OTHERWISE SPECIFIED | | | | |
| Dr | M PESSON | 2005-10-11 | ANGULAR | size A2 |
| Eng | P LEGARE | 2005-10-11 | LINEAR | Scale 2:1 |
| Chr | | | 0° ±2° | ECN F09-0092 |
| Appr | | | Product family | Spec ref |

| | | |
|--------------------------------|---------------|------|
| FCI | part no | Rev. |
| DESCRIPTION | C01-8639-2313 | D |
| full power right angled solder | | |
| sheet 2 of 5 | | |

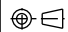
SCALE: 4

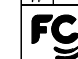
| PART NUMBER | AMPS | MATINGS/ UNMATINGS | FRONT ACCESSORY | PCB ACCESSORIES |
|-----------------|------|-----------------------|-----------------------|----------------------------------|
| D*xWxP700A30LF | 30 | 200 | without | without |
| D*LxWxP700A30LF | 30 | 200 | insert M3 | without |
| D*OxWxP700A30LF | 30 | 200 | insert UNC 4.40 | without |
| D*VxWxP700A30LF | 30 | 200 | female screw UNC 4.40 | without |
| D*xWxP700H30LF | 30 | 200 | without | metal bracket+harpoon PCB 2.40mm |
| D*LxWxP700H30LF | 30 | 200 | insert M3 | metal bracket+harpoon PCB 2.40mm |
| D*OxWxP700H30LF | 30 | 200 | insert UNC 4.40 | metal bracket+harpoon PCB 2.40mm |
| D*VxWxP700H30LF | 30 | 200 | female screw UNC 4.40 | metal bracket+harpoon PCB 2.40mm |
| D*xWxP700G30LF | 30 | 200 | without | metal bracket+harpoon PCB 1.60mm |
| D*LxWxP700G30LF | 30 | 200 | insert M3 | metal bracket+harpoon PCB 1.60mm |
| D*OxWxP700G30LF | 30 | 200 | insert UNC 4.40 | metal bracket+harpoon PCB 1.60mm |
| D*VxWxP700G30LF | 30 | 200 | female screw UNC 4.40 | metal bracket+harpoon PCB 1.60mm |
| D*xWxP700M30LF | 30 | 200 | without | metal bracket |
| D*LxWxP700M30LF | 30 | 200 | insert M3 | metal bracket |
| D*OxWxP700M30LF | 30 | 200 | insert UNC 4.40 | metal bracket |
| D*VxWxP700M30LF | 30 | 200 | female screw UNC 4.40 | metal bracket |

shell size * LAYOUTS
xWx

E 2V2
A 3V3
A 3W3
B 5W5
C 8W8

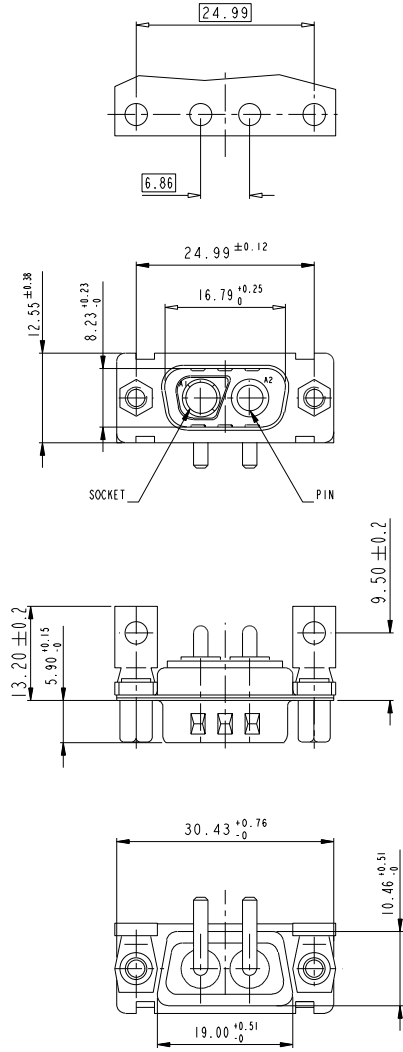
| PART NUMBER | AMPS | MATINGS/ UNMATINGS | FRONT ACCESSORY | PCB ACCESSORIES |
|-----------------|------|-----------------------|-----------------------|----------------------------------|
| D*xWxP743A30LF | 30 | 500 | without | without |
| D*LxWxP743A30LF | 30 | 500 | insert M3 | without |
| D*OxWxP743A30LF | 30 | 500 | insert UNC 4.40 | without |
| D*VxWxP743A30LF | 30 | 500 | female screw UNC 4.40 | without |
| D*xWxP743H30LF | 30 | 500 | without | metal bracket+harpoon PCB 2.40mm |
| D*LxWxP743H30LF | 30 | 500 | insert M3 | metal bracket+harpoon PCB 2.40mm |
| D*OxWxP743H30LF | 30 | 500 | insert UNC 4.40 | metal bracket+harpoon PCB 2.40mm |
| D*VxWxP743H30LF | 30 | 500 | female screw UNC 4.40 | metal bracket+harpoon PCB 2.40mm |
| D*xWxP743G30LF | 30 | 500 | without | metal bracket+harpoon PCB 1.60mm |
| D*LxWxP743G30LF | 30 | 500 | insert M3 | metal bracket+harpoon PCB 1.60mm |
| D*OxWxP743G30LF | 30 | 500 | insert UNC 4.40 | metal bracket+harpoon PCB 1.60mm |
| D*VxWxP743G30LF | 30 | 500 | female screw UNC 4.40 | metal bracket+harpoon PCB 1.60mm |
| D*xWxP743M30LF | 30 | 500 | without | metal bracket |
| D*LxWxP743M30LF | 30 | 500 | insert M3 | metal bracket |
| D*OxWxP743M30LF | 30 | 500 | insert UNC 4.40 | metal bracket |
| D*VxWxP743M30LF | 30 | 500 | female screw UNC 4.40 | metal bracket |

| | | | | | |
|---------------------------------------|----------|---------------------|-----------------------------------|---|--------------|
| www.fciconnect.com | | surface ISO 1302 | tolerance std ISO 406 ISO 1101 | projection  | mm |
| TOLERANCES UNLESS OTHERWISE SPECIFIED | | | | | |
| Dr | M PESSON | 2005-10-11 | ANGULAR | 0.X ±0.3 | size A2 |
| Eng | P LEGARE | 2005-10-11 | LINEAR | 0.XX ±0.1 | Scale 2:1 |
| Chr | | | 0° ±2° | 0.XXX ±0.05 | ECN F09-0092 |
| Appr | | | Product family | | Spec ref |

| | | | | | | |
|---|-------|--------------------------------|---------|---------------|------|---|
|  | TITLE | SUB MALE DW US foot print | Part no | C01-8639-2313 | Rev. | D |
| | | full power right angled solder | | | | |

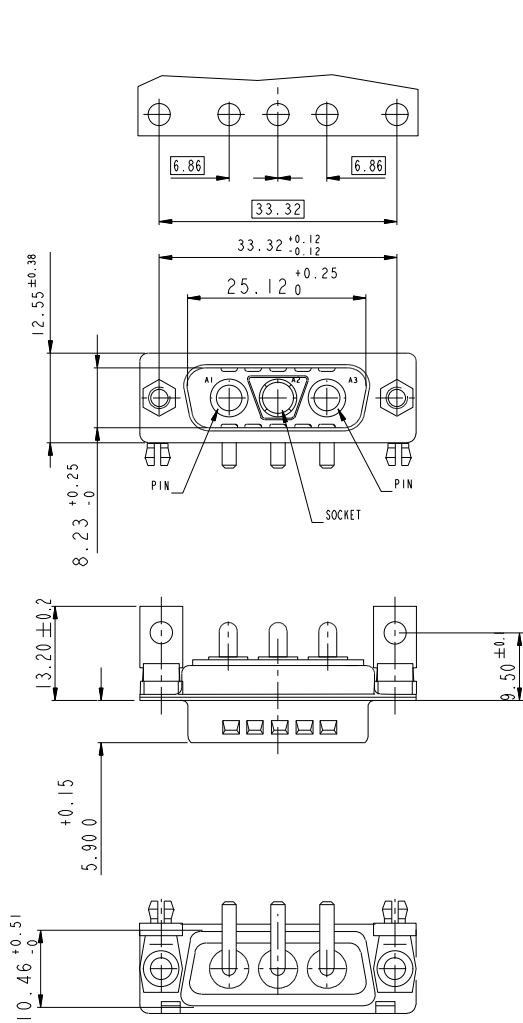
2V2

LAYOUT AND CONNECTOR DIMENSIONS
For PCB hole diameters see table 1 sheet 1



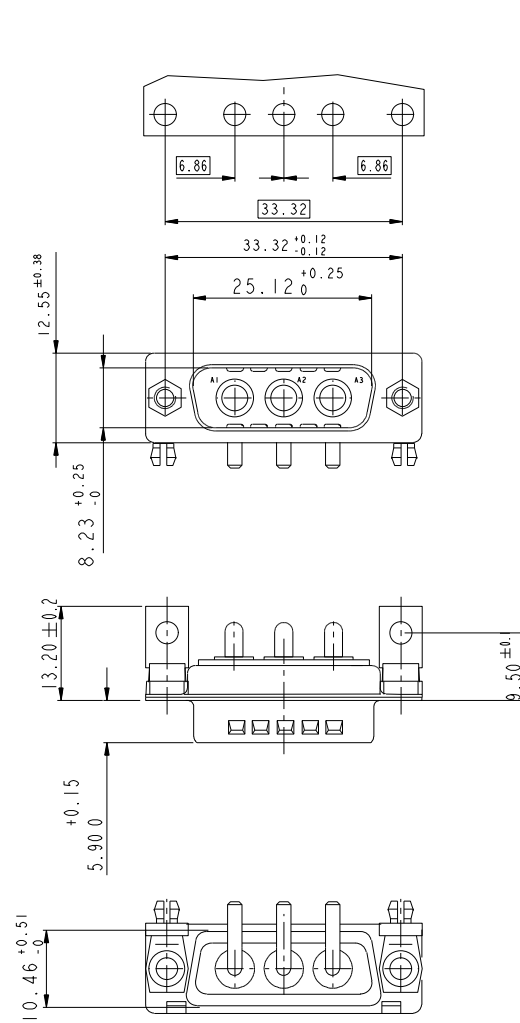
3V3

LAYOUT AND CONNECTOR DIMENSIONS
For PCB hole diameters see table 1 sheet 1



3W3

LAYOUT AND CONNECTOR DIMENSIONS
For PCB hole diameters see table 1 sheet 1



SIDE VIEW FOR ALL LAYOUTS

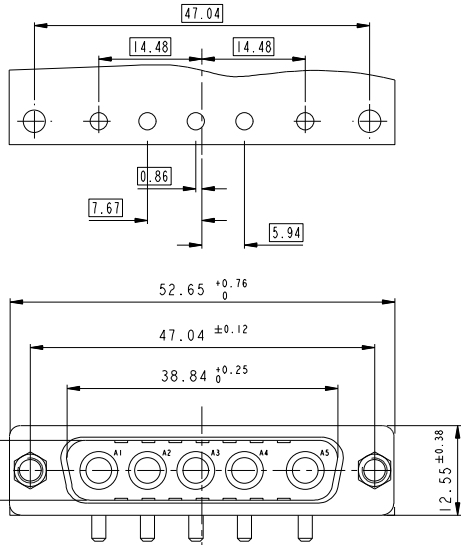


| | | | | |
|---------------------------------------|----------|---------------------|-----------------------------------|------------------|
| www.fciconnect.com | | surface ISO 1302 | tolerance std ISO 406 ISO 1101 | projection mm |
| TOLERANCES UNLESS OTHERWISE SPECIFIED | | | | |
| Dr | M PESSON | 2005-10-11 | ANGULAR | 0.X ± 0.3 |
| Eng | P LEGARE | 2005-10-11 | LINEAR | 0.XXX ± 0.1 |
| Chr | | | 0° ± 2° | 0.XXX ± 0.05 |
| Appr | | | Product family | Spec ref |

| | | | | | | |
|-----|-------|--------------------------------|--------|---------------|------|---|
| FCI | TITLE | SUB MALE DW US foot print | ang no | C01-8639-2313 | Rev. | D |
| | | full power right angled solder | | | | |

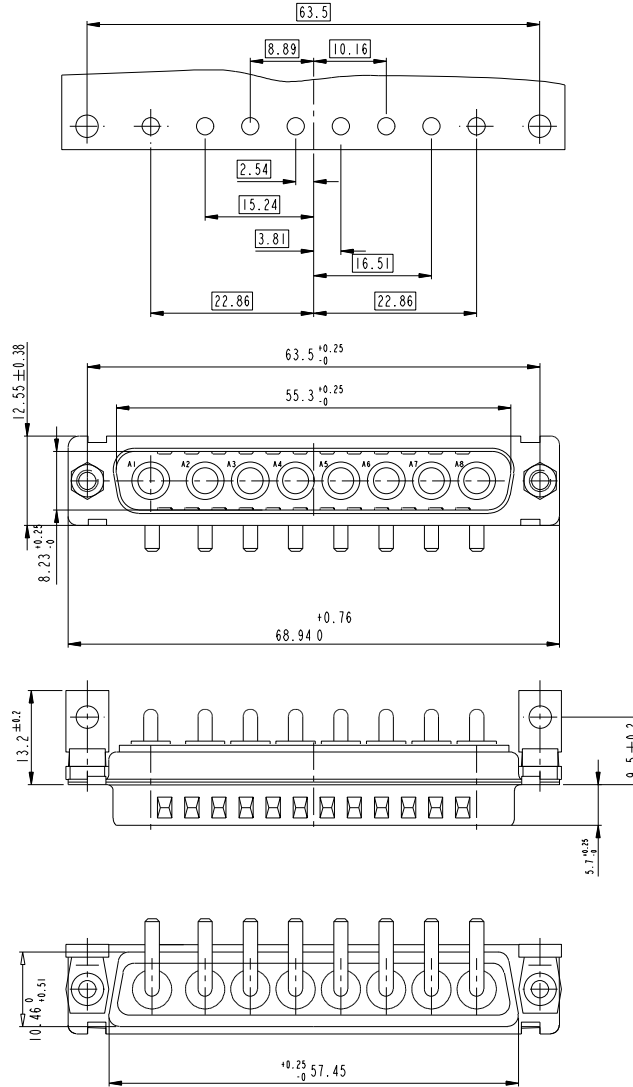
5W5

LAYOUT AND CONNECTOR DIMENSIONS
For PCB hole diameters see table 1 sheet 1



8W8

LAYOUT AND CONNECTOR DIMENSIONS
For PCB hole diameters see table 1 sheet 1



Copyright FCI. FCI

| | | | | |
|---------------------------------------|----------|---------------------|-----------------------------------|------------------|
| www.fciconnect.com | | surface ISO 1302 | tolerance std ISO 406 ISO 1101 | projection mm |
| TOLERANCES UNLESS OTHERWISE SPECIFIED | | | | |
| Dr | M PESSON | 2005-10-11 | ANGULAR | 0.X ±0.3 |
| Eng | P LEGARE | 2005-10-11 | LINEAR | 0.XXX ±0.1 |
| Chr | | | 0° ±2° | 0.XXX ±0.05 |
| Appr | | | Product family | Spec ref |

| | | | | | | |
|-----|-------|--------------------------------|--------|---------------|------|---|
| FCI | TITLE | SUB MALE DW US foot print | ang no | C01-8639-2313 | Rev. | D |
| | | full power right angled solder | | | | |



Компания «ЭлектроПласт» предлагает заключение долгосрочных отношений при поставках импортных электронных компонентов на взаимовыгодных условиях!

Наши преимущества:

- Оперативные поставки широкого спектра электронных компонентов отечественного и импортного производства напрямую от производителей и с крупнейших мировых складов;
- Поставка более 17-ти миллионов наименований электронных компонентов;
- Поставка сложных, дефицитных, либо снятых с производства позиций;
- Оперативные сроки поставки под заказ (от 5 рабочих дней);
- Экспресс доставка в любую точку России;
- Техническая поддержка проекта, помощь в подборе аналогов, поставка прототипов;
- Система менеджмента качества сертифицирована по Международному стандарту ISO 9001;
- Лицензия ФСБ на осуществление работ с использованием сведений, составляющих государственную тайну;
- Поставка специализированных компонентов (Xilinx, Altera, Analog Devices, Intersil, Interpoint, Microsemi, Aeroflex, Peregrine, Syfer, Eurofarad, Texas Instrument, Miteq, Cobham, E2V, MA-COM, Hittite, Mini-Circuits, General Dynamics и др.);

Помимо этого, одним из направлений компании «ЭлектроПласт» является направление «Источники питания». Мы предлагаем Вам помощь Конструкторского отдела:

- Подбор оптимального решения, техническое обоснование при выборе компонента;
- Подбор аналогов;
- Консультации по применению компонента;
- Поставка образцов и прототипов;
- Техническая поддержка проекта;
- Защита от снятия компонента с производства.



Как с нами связаться

Телефон: 8 (812) 309 58 32 (многоканальный)

Факс: 8 (812) 320-02-42

Электронная почта: org@eplast1.ru

Адрес: 198099, г. Санкт-Петербург, ул. Калинина, дом 2, корпус 4, литера А.