

Voltage Detector with Delay Time Adjustable

■ GENERAL DESCRIPTION

The XC6119 series is a highly precise, low power consumption voltage detector, manufactured using CMOS and laser trimming technologies.

The device includes the built-in delay circuit. A release delay time can be set freely by connecting an external delay capacitor to the Cd pin.

The device using an ultra small package (USPN-4) is suited for high density mounting applications. Both CMOS and N-channel open drain output configurations are available.

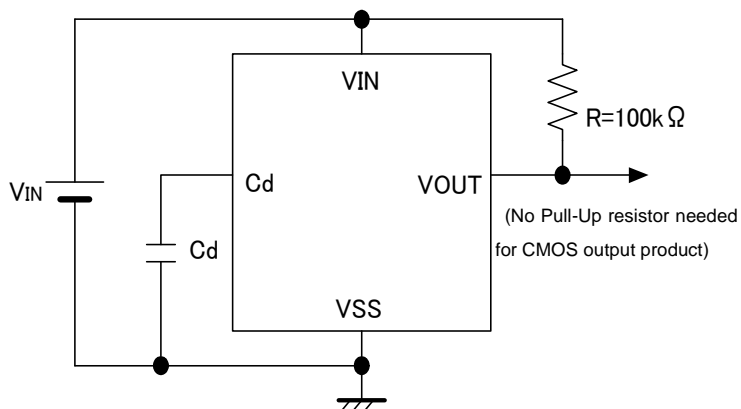
■ APPLICATIONS

- Microprocessor reset circuitry
- Charge voltage monitors
- Memory battery back-up switch circuits
- Power failure detection circuits

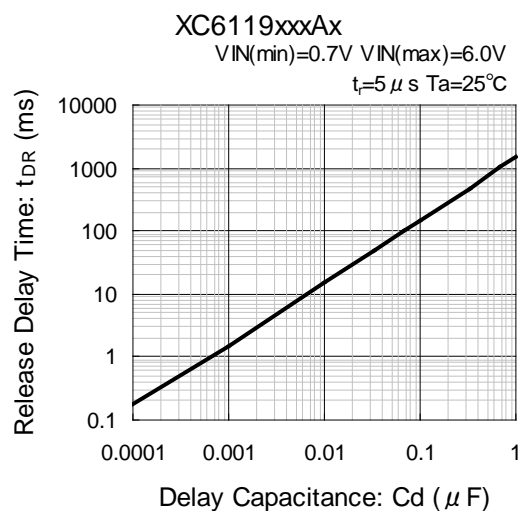
■ FEATURES

| | |
|---|---|
| High Accuracy | : $\pm 2\%$ (Detection Voltage $\geq 1.5\text{V}$) $\pm 30\text{mV}$ (Detection Voltage $< 1.5\text{V}$) |
| Low Power Consumption | : $0.5\ \mu\text{A}$ TYP. in detect state ($V_{DF}=1.0\text{V}$, $V_{IN}=0.9\text{V}$) $0.9\ \mu\text{A}$ TYP. in release state ($V_{DF}=1.0\text{V}$, $V_{IN}=1.1\text{V}$) |
| Detect Voltage Options | : $0.8\text{V} \sim 5.0\text{V}$ (0.1V increments) |
| Operating Voltage Range | : $0.7\text{V} \sim 6.0\text{V}$ |
| Detect Voltage Temperature Characteristics | : $\pm 100\text{ppm}/^\circ\text{C}$ TYP. |
| Output Configuration | : CMOS or N-channel open drain |
| Built-In Delay Circuit | : Delay Time Adjustable |
| Operating Ambient Temperature | : $-40^\circ\text{C} \sim +85^\circ\text{C}$ |
| Packages | : SSOT-24, USPN-4 |
| Environmentally Friendly | : EU RoHS Compliant, Pb Free |

■ TYPICAL APPLICATION CIRCUIT ■ TYPICAL PERFORMANCE CHARACTERISTICS



● Release Delay Time vs. Delay Capacitance



■ PRODUCT CLASSIFICATION

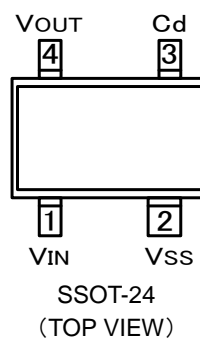
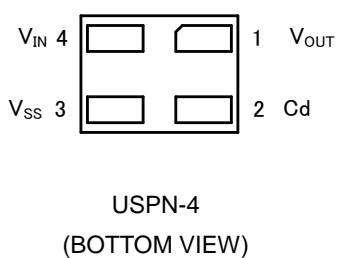
● Ordering Information

XC6119①②③④⑤⑥-⑦^(*)

| DESIGNATOR | ITEM | SYMBOL | DESCRIPTION |
|------------|---------------------------|---------|---|
| ① | Output Configuration | C | CMOS output |
| | | N | N-ch open drain output |
| ②③ | Detect Voltage | 08 ~ 50 | e.g. 18→1.8V |
| ④ | Output Delay & Hysteresis | A | Built-in delay pin & hysteresis 5% (TYP.) |
| ⑤⑥-⑦ | Packages (Order Unit) | 7R-G | USPN-4 (5,000pcs/Reel) |
| | | NR-G | SSOT-24 (3,000pcs/Reel) |

(*) The "-G" suffix denotes Halogen and Antimony free as well as being fully EU RoHS compliant.

■ PIN CONFIGURATION



■ PIN ASSIGNMENT

| PIN NUMBER | | PIN NAME | FUNCTION |
|------------|---------|------------------|---------------------|
| USPN-4 | SSOT-24 | | |
| 1 | 4 | V _{OUT} | Output (Detect "L") |
| 2 | 3 | Cd | Delay Capacitance |
| 3 | 2 | V _{SS} | Ground |
| 4 | 1 | V _{IN} | Input |

PIN FUNCTIONS ASSIGNMENT

| V _{IN} | V _{CD} | V _{OUT} transition * | | |
|-----------------|-----------------|-------------------------------|---|---|
| | | ① | | ② |
| L | L | L | ⇒ | L |
| | H | | | |
| | L | H | | |
| | H | | | |
| H | L | L | ⇒ | L |
| | H | | ⇒ | |
| | L | H | ⇒ | H |
| | H | | ⇒ | |

* Function State Transition Example

- 1) When V_{OUT} is "L", V_{OUT} changes from "L" to "H" when V_{IN} = "H" (V_{DR} ≤ V_{IN}) and V_{CD} = "H" (V_{TCD} ≤ V_{CD}).
- 2) When V_{OUT} changes from "H" to "L" and V_{IN} = "H" and V_{CD} = "L" when V_{OUT} is "H", V_{OUT} holds "H".

PIN LOGIC CONDITIONS

(1) XC6119C(CMOS)

| PIN NAME | LOGIC | CONDITIONS |
|------------------|-------|--|
| V _{IN} | L | $V_{IN} \leq V_{DF}$ |
| | H | $V_{IN} \geq V_{DF} + V_{HYS}$ |
| C _d | L | $0 < V_{CD} < V_{IN}/2 - 0.1$ |
| | H | $V_{IN}/2 + 0.1 \leq V_{CD} \leq V_{IN}$ |
| V _{OUT} | L | $V_{OUT} \leq V_{IN} \times 0.1$ |
| | H | $V_{OUT} \geq V_{IN} \times 0.9$ |

(2) XC6119N(Nch open drain output)

| PIN NAME | LOGIC | CONDITIONS |
|------------------|-------|--|
| V _{IN} | L | $V_{IN} \leq V_{DF}$ |
| | H | $V_{IN} \geq V_{DF} + V_{HYS}$ |
| C _d | L | $0 < V_{CD} < V_{IN}/2 - 0.1$ |
| | H | $V_{IN}/2 + 0.1 \leq V_{CD} \leq V_{IN}$ |
| V _{OUT} | L | $V_{OUT} \leq \text{Pull-Up voltage} \times 0.1$ |
| | H | $V_{OUT} \geq \text{Pull-Up voltage} \times 0.9$ |

ABSOLUTE MAXIMUM RATINGS

T_a=25°C

| PARAMETER | SYMBOL | RATINGS | UNITS |
|-------------------------------|-------------------------|---|-------|
| Input Voltage | V _{IN} | V _{SS} -0.3~+7.0 | V |
| Output Current | I _{OUT} | 10 | mA |
| Output Voltage | XC6119C ^(*) | V _{SS} -0.3~V _{IN} +0.3 | V |
| | XC6119N ^(**) | V _{SS} -0.3~+7.0 | |
| Delay Pin Voltage | V _{CD} | V _{SS} -0.3~V _{IN} +0.3 | V |
| Delay Pin Current | I _{CD} | 5.0 | mA |
| Power Dissipation | USPN-4 | 100 | mW |
| | | 600(40mm x 40mm Standard board) ^(***) | |
| | SSOT-24 | 150 | |
| | | 500 (40mm x 40mm Standard board) ^(***) | |
| Operating Ambient Temperature | T _a | -40~+85 | °C |
| Storage Temperature | T _{stg} | -55~+125 | °C |

NOTE:

^(*) CMOS output

^(**) N-ch open drain output

^(***) The power dissipation figure shown is PCB mounted and is for reference only.
The mounting condition is please refer to PACKAGING INFORMATION.

ELECTRICAL CHARACTERISTICS

Ta=25°C

| PARAMETER | | SYMBOL | CONDITIONS | MIN. | TYP. | MAX. | UNIT | CIRCUIT |
|---|------------------------|--|--|---------------------------|---------------------------|---------------------------|--------|---------|
| Operating Voltage | | V _{IN} | V _{DF(T)} =0.8~5.0V ^(*) | 0.7 | | 6.0 | V | - |
| Detect Voltage | | V _{DF} | V _{DF(T)} =0.8~5.0V | E-1 | | | V | ① |
| Hysteresis Width | | V _{HYS} | V _{IN} =1.0~6.0V | V _{DF} × 0.02 | V _{DF} × 0.05 | V _{DF} × 0.08 | V | ① |
| Supply Current 1 | | I _{SS1} | V _{IN} =V _{DF} × 0.9 V _{DF(T)} =0.8~1.9V V _{DF(T)} =2.0~3.9V V _{DF(T)} =4.0~5.0V | | 0.5 0.6 0.7 | 1.2 1.3 1.4 | μA | ② |
| Supply Current 2 | | I _{SS2} | V _{IN} =V _{DF} × 1.1 V _{DF(T)} =0.8~1.9V V _{DF(T)} =2.0~3.9V V _{DF(T)} =4.0~5.0V | | 0.9 1.1 1.2 | 1.8 2.0 2.2 | μA | ② |
| Output Current | | I _{OUT1} | V _{IN} =0.7V V _{DS} =0.5V(Nch) | 0.01 | 0.36 | | mA | ③ |
| | | | V _{IN} =1.0V ^{(*)2} V _{DS} =0.5V(Nch) | 0.1 | 0.7 | | | |
| | | | V _{IN} =2.0V ^{(*)3} V _{DS} =0.5V(Nch) | 0.8 | 1.6 | | | |
| | | | V _{IN} =3.0V ^{(*)4} V _{DS} =0.5V(Nch) | 1.2 | 2.0 | | | |
| | | | V _{IN} =4.0V ^{(*)5} V _{DS} =0.5V(Nch) | 1.6 | 2.3 | | | |
| | | I _{OUT2} ^{(*)6} | V _{IN} =V _{DF} × 1.1 V _{DS} =0.5V(Pch) | E-2 | | | | mA |
| Leakage Current | CMOS output (P-ch) | I _{LEAK} | V _{IN} = V _{DF} × 0.9V, V _{OUT} = 0V, Cd: Open | | -0.20 | | μA | ③ |
| | N-ch Open Drain Output | | V _{IN} = 6.0V, V _{OUT} = 6.0V, Cd: Open | | 0.20 | 0.40 | | |
| Temperature Characteristics | | ΔV _{DF} / (ΔTa · V _{DF}) | -40 °C ≤ Ta ≤ 85 °C | | ± 100 | | ppm/°C | ① |
| Delay Resistance ^{(*)7} | | R _{DELAY} | V _{IN} =6.0V, Cd=0V | 1.6 | 2.0 | 2.4 | MΩ | ⑤ |
| Delay Pin Sink Current | | I _{CD} | Cd=0.5V, V _{IN} =0.7V | 8 | 60 | | μA | ⑤ |
| Delay Capacitance Pin Threshold Voltage | | V _{TCD} | V _{IN} =1.0V | 0.4 | 0.5 | 0.6 | V | ⑥ |
| | | | V _{IN} =6.0V | 2.9 | 3.0 | 3.1 | | |
| Unspecified Operating Voltage ^{(*)8} | | V _{UNS} | V _{IN} =0~0.7V | | 0.3 | 0.4 | V | ⑦ |
| Detect Delay Time ^{(*)9} | | t _{DF0} | V _{IN} =6.0→0.7V Cd: Open | | 30 | 230 | μs | ⑧ |
| Detect Delay Time ^{(*)9} | | t _{DR0} | V _{IN} =0.7V→6.0V Cd: Open | | 30 | 200 | μs | ⑧ |

NOTE:

(*) V_{DF(T)}: Setting Detect Voltage

(*)2 V_{DF(T)} > 1.0V

(*)3 V_{DF(T)} > 2.0V

(*)4 V_{DF(T)} > 3.0V

(*)5 V_{DF(T)} > 4.0V

(*)6 This numerical value is applied only to the XC6119C series (CMOS output).

(*)7 Calculated from the voltage value and the current value of both ends of the resistor.

(*)8 The maximum voltage of the V_{OUT} in the range of the V_{IN} 0 to 0.7V. This numerical value is applied only to the XC6119C series (CMOS output).

(*)9 Time which ranges from the state of V_{IN} = V_{DF} to the V_{OUT} reaching 0.6V when the V_{IN} falls without connecting to the Cd pin.

(*)10 Time which ranges from the state of V_{IN} = V_{DF} + V_{HYS} to the V_{OUT} reaching 5.4V when the V_{IN} rises without connecting to the Cd pin.

VOLTAGE CHART

| SYMBOL | E-1 | | | E-2 | |
|------------------------|-------------------------------|------|-------|-------------------------------|-------|
| PARAMETER | DETECT VOLTAGE ^(*) | | | OUTPUT CURRENT ^(*) | |
| SETTING DETECT VOLTAGE | (V) | | | (mA) | |
| V _{DF(T)} | V _{DF} | | | I _{OUT2} | |
| | MIN. | TYP. | MAX. | MIN. | TYP. |
| 0.8 | 0.770 | 0.8 | 0.830 | -0.40 | -0.20 |
| 0.9 | 0.870 | 0.9 | 0.930 | | |
| 1.0 | 0.970 | 1.0 | 1.030 | | |
| 1.1 | 1.070 | 1.1 | 1.130 | -0.60 | -0.30 |
| 1.2 | 1.170 | 1.2 | 1.230 | | |
| 1.3 | 1.270 | 1.3 | 1.330 | | |
| 1.4 | 1.370 | 1.4 | 1.430 | | |
| 1.5 | 1.470 | 1.5 | 1.530 | | |
| 1.6 | 1.568 | 1.6 | 1.632 | -0.80 | -0.40 |
| 1.7 | 1.666 | 1.7 | 1.734 | | |
| 1.8 | 1.764 | 1.8 | 1.836 | | |
| 1.9 | 1.862 | 1.9 | 1.938 | | |
| 2.0 | 1.960 | 2.0 | 2.040 | | |
| 2.1 | 2.058 | 2.1 | 2.142 | -1.00 | -0.50 |
| 2.2 | 2.156 | 2.2 | 2.244 | | |
| 2.3 | 2.254 | 2.3 | 2.346 | | |
| 2.4 | 2.352 | 2.4 | 2.448 | | |
| 2.5 | 2.450 | 2.5 | 2.550 | | |
| 2.6 | 2.548 | 2.6 | 2.652 | | |
| 2.7 | 2.646 | 2.7 | 2.754 | | |
| 2.8 | 2.744 | 2.8 | 2.856 | | |
| 2.9 | 2.842 | 2.9 | 2.958 | | |
| 3.0 | 2.940 | 3.0 | 3.060 | | |
| 3.1 | 3.038 | 3.1 | 3.162 | -1.20 | -0.60 |
| 3.2 | 3.136 | 3.2 | 3.264 | | |
| 3.3 | 3.234 | 3.3 | 3.366 | | |
| 3.4 | 3.332 | 3.4 | 3.468 | | |
| 3.5 | 3.430 | 3.5 | 3.570 | | |
| 3.6 | 3.528 | 3.6 | 3.672 | | |
| 3.7 | 3.626 | 3.7 | 3.774 | | |
| 3.8 | 3.724 | 3.8 | 3.876 | | |
| 3.9 | 3.822 | 3.9 | 3.978 | | |
| 4.0 | 3.920 | 4.0 | 4.080 | | |
| 4.1 | 4.018 | 4.1 | 4.182 | -1.30 | -0.65 |
| 4.2 | 4.116 | 4.2 | 4.284 | | |
| 4.3 | 4.214 | 4.3 | 4.386 | | |
| 4.4 | 4.321 | 4.4 | 4.488 | | |
| 4.5 | 4.410 | 4.5 | 4.590 | | |
| 4.6 | 4.508 | 4.6 | 4.692 | | |
| 4.7 | 4.606 | 4.7 | 4.794 | | |
| 4.8 | 4.704 | 4.8 | 4.896 | | |
| 4.9 | 4.802 | 4.9 | 4.998 | | |
| 5.0 | 4.900 | 5.0 | 5.100 | | |

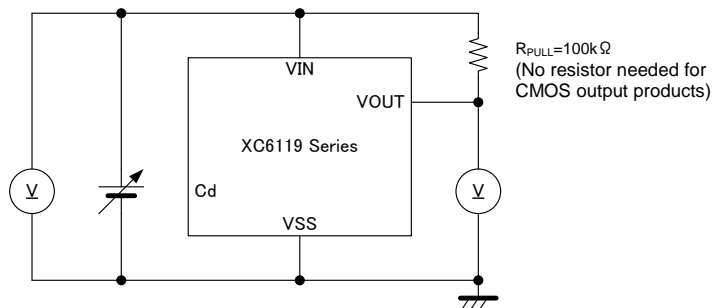
NOTE:

^(*) When $V_{DF(T)} \leq 1.4V$, the detection accuracy is $\pm 30mV$. When $V_{DF(T)} \geq 1.5V$, the detection accuracy is $\pm 2\%$.

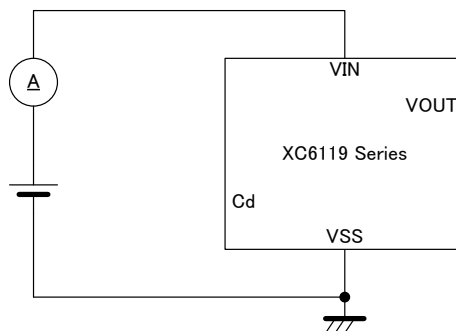
^(*) This numerical value is applied only to the XC6119C series (CMOS output).

TEST CIRCUITS

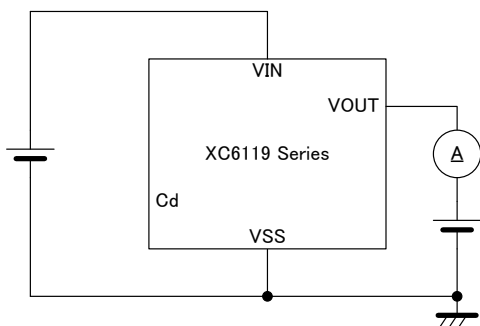
Circuit ①



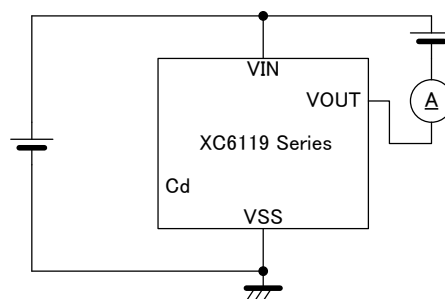
Circuit ②



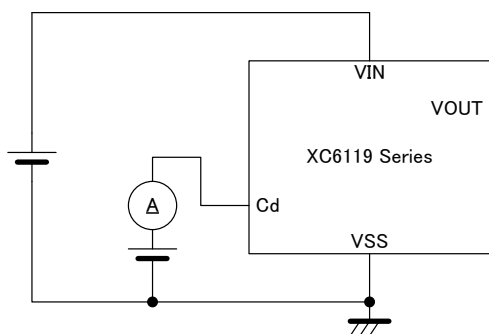
Circuit ③



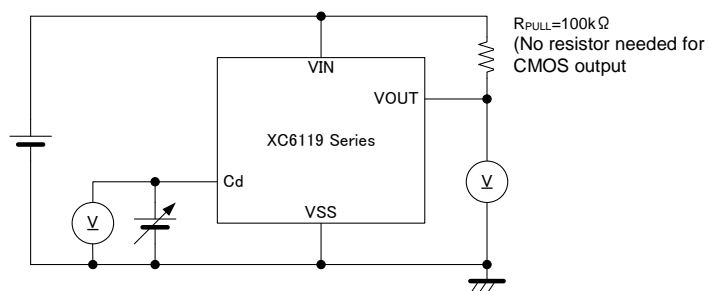
Circuit ④



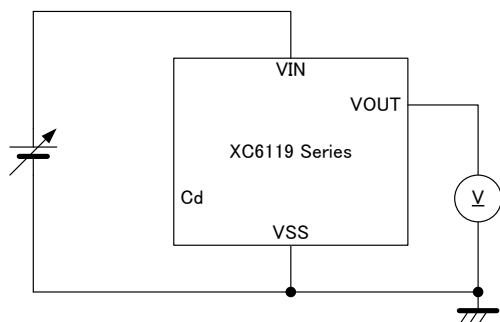
Circuit ⑤



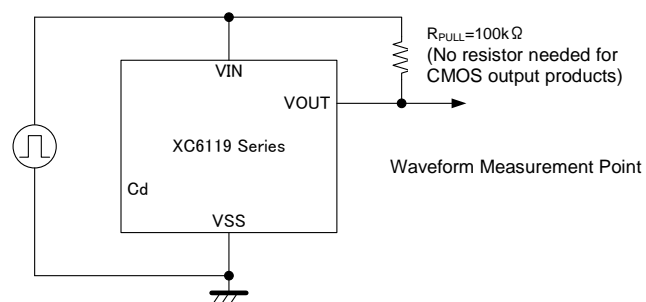
Circuit ⑥



Circuit ⑦



Circuit ⑧



OPERATIONAL EXPLANATION

A typical circuit example is shown in Figure 1, and the timing chart of Figure 1 is shown in Figure 2 on the next page.

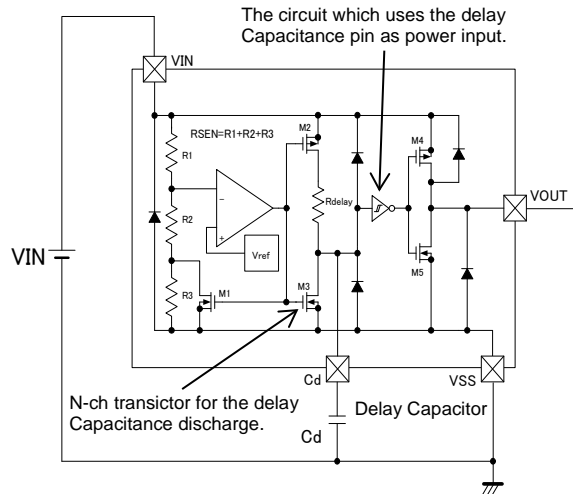


Figure 1: Typical application circuit example

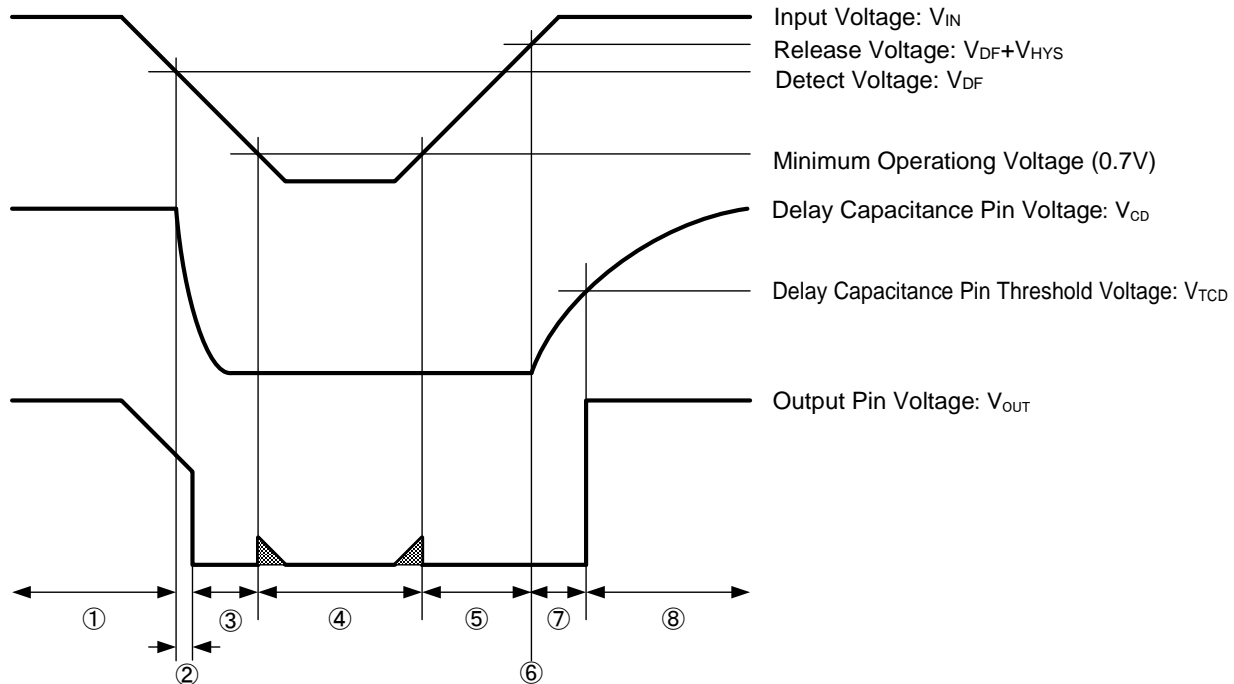


Figure 2: The timing chart of Figure 1

- ① As an early state, the input voltage pin is applied sufficiently high voltage to the release voltage and the delay capacitance (C_d) is charged to the input pin voltage. While the input pin voltage (V_{IN}) starts dropping to reach the detect voltage (V_{DF}) ($V_{IN} > V_{DF}$), the output voltage (V_{OUT}) keeps the "High" level ($=V_{IN}$).
- ② When the input pin voltage keeps dropping and becomes equal to the detect voltage ($V_{IN} = V_{DF}$), an N-ch transistor for the delay capacitance discharge is turned ON, and starts to discharge the delay capacitance. For the internal circuit, which uses the delay capacitance pin as power input, the reference voltage operates as a comparator of V_{IN} , and the output voltage changes into the "Low" level ($\leq V_{IN} \times 0.1$). The detect delay time (t_{DF}) is defined as time which ranges from $V_{IN} = V_{DF}$ to the V_{OUT} of "Low" level (especially, when the C_d pin is not connected: t_{DF0}).
- ③ While the input pin voltage keeps below the detect voltage, and 0.7V or more, the delay capacitance is discharged to the ground voltage ($=V_{SS}$) level. Then, the output voltage (V_{OUT}) maintains the "Low" level.
- ④ While the input pin voltage drops to less than 0.7V and it increases again to 0.7V or more, the output voltage may not be able to maintain the "Low" level. Such an operation is called "Unspecified Operation", and voltage which occurs at the output pin voltage is defined as unstable operating voltage (V_{UNS}).

■ OPERATIONAL EXPLANATION (Continued)

- ⑤ While the input pin voltage increases more than 0.7V and it reaches to the release voltage level ($V_{IN} < V_{DF} + V_{HYS}$), the output voltage (V_{OUT}) maintains the “Low” level.
- ⑥ When the input pin voltage continues to increase more than 0.7V up to the release voltage level ($= V_{DF} + V_{HYS}$), the N-ch transistor for the delay capacitance discharge will be turned OFF, and the delay capacitance will be started discharging via a delay resistor (R_{DELAY}). The internal circuit, which uses the delay capacitance pin as power input, will operate as a hysteresis comparator (Rise Logic Threshold: $V_{TLH} = V_{TCD}$, Fall Logic Threshold: $V_{THL} = V_{SS}$) while the input pin voltage keeps higher than the detect voltage ($V_{IN} > V_{DF}$).
- ⑦ While the input pin voltage becomes equal to the release voltage or higher and keeps the detect voltage or higher, the delay capacitance (C_d) will be charged up to the input pin voltage. When the delay capacitance pin voltage (V_{CD}) reaches to the delay capacitance pin threshold voltage (V_{TCD}), the output voltage changes into the “High” ($= V_{IN}$) level. t_{DR} is defined as time which ranges from $V_{IN} = V_{DF} + V_{HYS}$ to the V_{OUT} of “High” level (especially when the C_d pin is not connected: t_{DR0}). t_{DR} can be given by the formula (1).

$$t_{DR} = -R_{DELAY} \times C_d \times \ln(1 - V_{TCD} / V_{IN}) + t_{DR0} \dots(1)$$

* \ln = a natural logarithm

The release delay time can also be briefly calculated with the formula (2) because the delay resistance is $2.0M\Omega$ (TYP.) and the delay capacitance pin threshold voltage is $V_{IN}/2$ (TYP.)

$$t_{DR} = R_{DELAY} \times C_d \times 0.69 \dots(2)$$

* R_{DELAY} is $2.0M\Omega$ (TYP.)

As an example, presuming that the delay capacitance is $0.68\mu F$, t_{DR} is :

$$2.0 \times 10^6 \times 0.68 \times 10^{-6} \times 0.69 = 938(\text{ms})$$

* Note that the release delay time may remarkably be short when the delay capacitance is not discharged to the ground ($= V_{SS}$) level because time described in ③ is short.

- ⑧ While the input pin voltage is higher than the detect voltage ($V_{IN} > V_{DF}$), therefore, the output voltage maintains the “High” ($= V_{IN}$) level.

● Release Delay Time Chart

| Delay Capacitance [Cd] (μF) | Release Delay Time [tDR] (TYP.) (ms) | Release Delay Time [tDR] (MIN. ~ MAX.) *1 (ms) |
|---------------------------------------|---|---|
| 0.01 | 13.8 | 11.0 ~ 16.6 |
| 0.022 | 30.4 | 24.3 ~ 36.4 |
| 0.047 | 64.9 | 51.9 ~ 77.8 |
| 0.1 | 138 | 110 ~ 166 |
| 0.22 | 304 | 243 ~ 364 |
| 0.47 | 649 | 519 ~ 778 |
| 1 | 1380 | 1100 ~ 1660 |

* The release delay time values above are calculate by using formula (2).

(*1) The release delay time (t_{DR}) is influenced by the release capacitance (Cd).

NOTES ON USE

1. Please use this IC within the stated maximum ratings. For temporary, transitional voltage drop or voltage rising phenomenon, the IC is liable to malfunction should the ratings be exceeded.
2. The input pin voltage drops by the resistance between power supply and the V_{IN} pin, and by through current at operation of the IC. At this time, the operation may be wrong if the input pin voltage falls below the minimum operating voltage range. In CMOS output, for output current, drops in the input pin voltage similarly occur. Oscillation of the circuit may occur if the drops in voltage, which caused by through current at operation of the IC, exceed the hysteresis voltage. Note it especially when you use the IC with the V_{IN} pin connected to a resistor.
3. Note that a rapid and high fluctuation of the input pin voltage may cause a wrong operation.
4. Power supply noise may cause an operational function error. Care must be taken to put an external capacitor between V_{IN} -GND and test on the board carefully.
5. When there is a possibility of which the input pin voltage falls rapidly (e.g.: 6.0V to 0V) at release operation with the delay capacitance pin (Cd) connected to a capacitor, use a schottky barrier diode connected between the V_{IN} pin and the Cd pin as the Figure 3 shown below.
6. When N-channel open drain output is used, output voltages V_{OUT} at voltage detection and release are determined by a pull-up resistor tied to the output pin. A resistance value of the pull-up resistor can be selected with referring to the followings. (Refer to Figure 4)

During detection, the formula is given as

$$V_{OUT} = V_{PULL} / (1 + R_{PULL} / R_{ON})$$

where V_{PULL} is pull-up voltage and R_{ON} (*1) is ON resistance of N-channel driver M5 ($R_{ON} = V_{DS} / I_{OUT1}$ from the electrical characteristics table).

For example, when $V_{IN} = 2.0V$ (*2), $R_{ON} = 0.5 / 0.8 \times 10^{-3} = 625 \Omega$ (MIN.) and if you want to get V_{OUT} less than 0.1V when $V_{PULL} = 3.0V$, R_{PULL} can be calculated as follows;

$$R_{PULL} = (V_{PULL} / V_{OUT} - 1) \times R_{ON} = (3 / 0.1 - 1) \times 625 \approx 18 \text{ k} \Omega$$

Therefore, pull-up resistance should be selected 18k Ω or higher.

(*1) V_{IN} is smaller, R_{ON} is bigger

(*2) For the calculation, the lowest V_{IN} should be used among of the V_{IN} range

During release, the formula is given as

$$V_{OUT} = V_{PULL} / (1 + R_{PULL} / R_{OFF})$$

where V_{PULL} is pull-up voltage R_{OFF} is OFF resistance of N-channel driver M5 ($R_{OFF} = V_{OUT} / I_{LEAK} = 15M\Omega$ from the electrical characteristics table)

For examples, if you want to get V_{OUT} larger than 5.99V when V_{PULL} is 6.0V, R_{PULL} can be calculated as follows;

$$R_{PULL} = (V_{PULL} / V_{OUT} - 1) \times R_{OFF} = (6 / 5.99 - 1) \times 15 \times 10^6 \approx 25 \text{ k} \Omega$$

Therefore, pull-up resistance should be selected 25k Ω or below.

7. Torex places an importance on improving our products and their reliability. We request that users incorporate fail-safe designs and post-aging protection treatment when using Torex products in their systems.

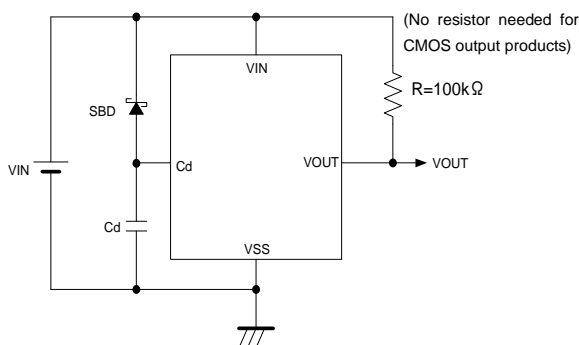


Figure 3: Circuit example with the delay capacitance pin (Cd) connected to a schottky barrier diode

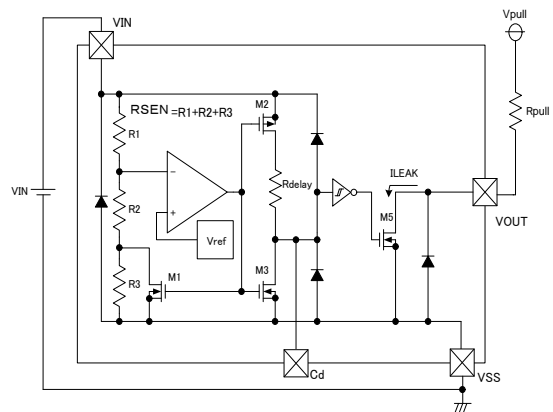
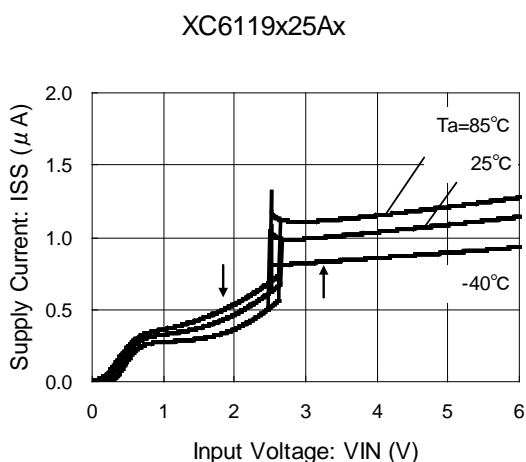


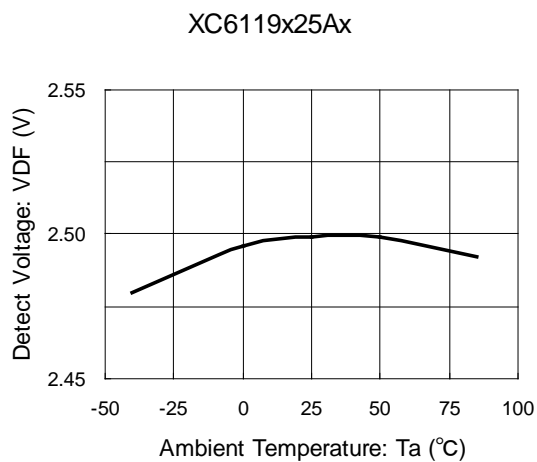
Figure 4: Circuit example of XC6109N Series

TYPICAL PERFORMANCE CHARACTERISTICS

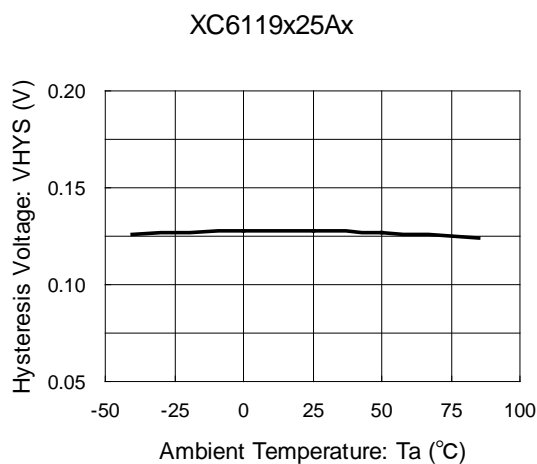
(1) Supply Current vs. Input Voltage



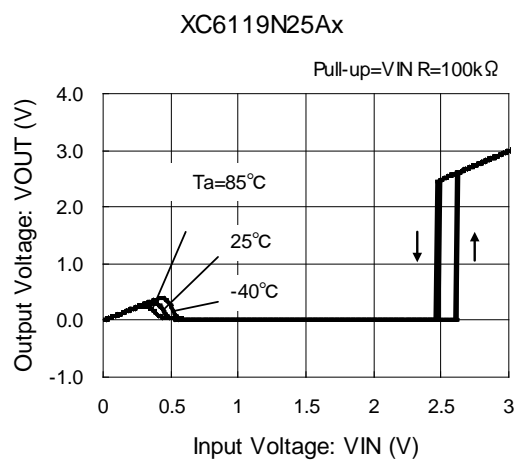
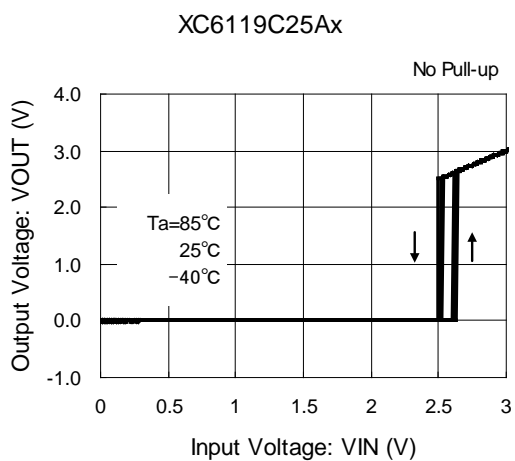
(2) Detect Voltage vs. Ambient Temperature



(3) Hysteresis Voltage vs. Ambient Temperature

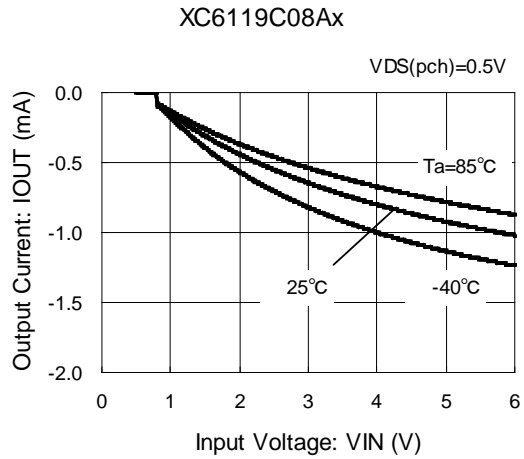
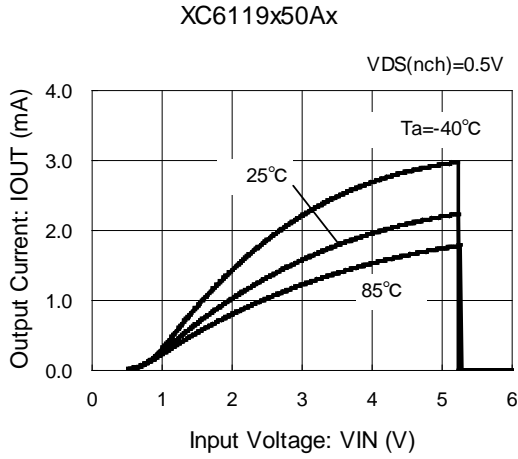


(4) Output Voltage vs. Input Voltage

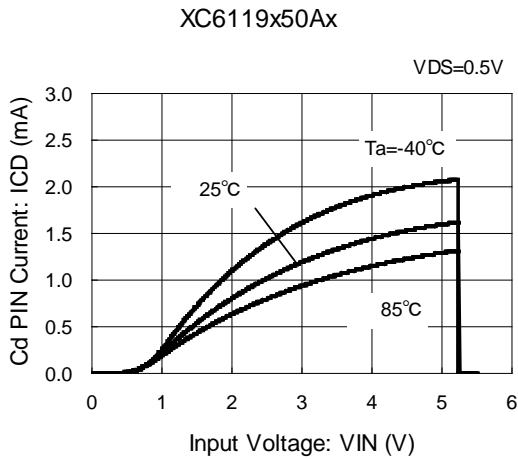


TYPICAL PERFORMANCE CHARACTERISTICS (Continued)

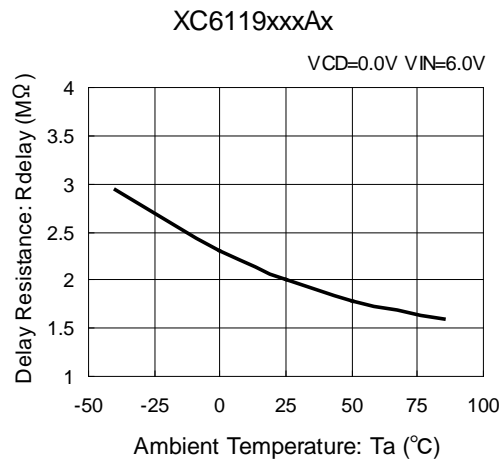
(5) Output Current vs. Input Voltage



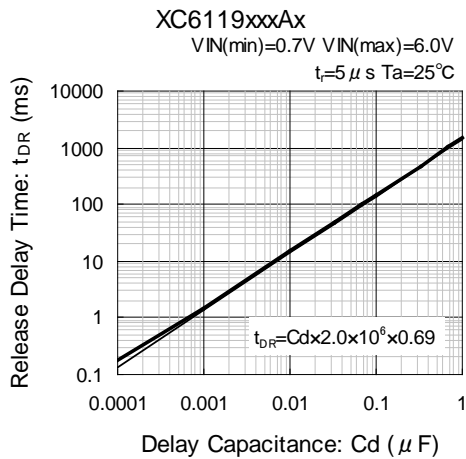
(6) Cd Pin Sink Current vs. Input Voltage



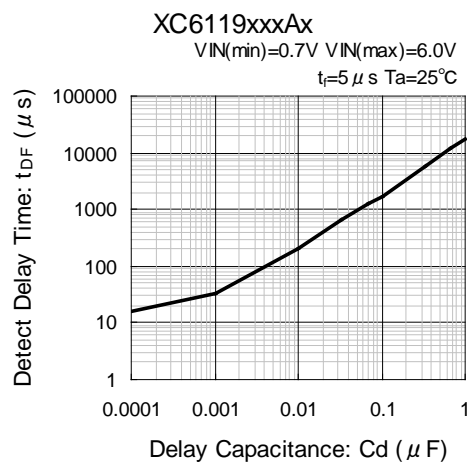
(7) Delay Resistance vs. Ambient Temperature



(8) Release Delay Time vs. Delay Capacitance

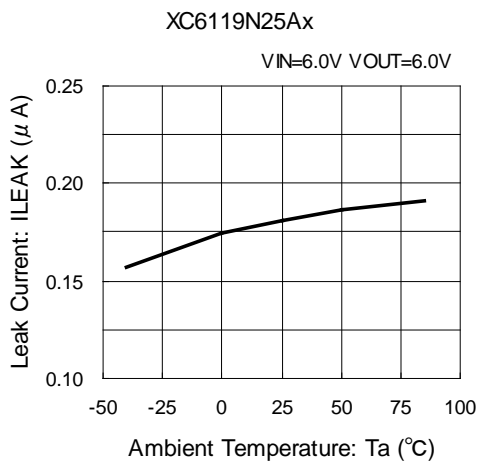


(9) Detect Delay Time vs. Delay Capacitance

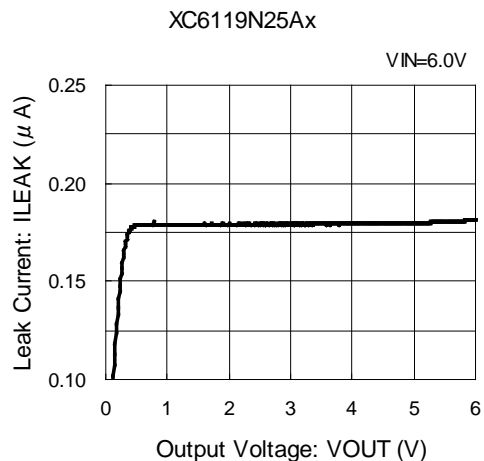


■ TYPICAL PERFORMANCE CHARACTERISTICS (Continued)

(10) Leak Current vs. Ambient Temperature



(11) Leak Current vs. Supply Voltage



■ PACKAGING INFORMATION

For the latest package information go to, www.torexsemi.com/technical-support/packages

| PACKAGE | OUTLINE / LAND PATTERN | THERMAL CHARACTERISTICS | |
|---------|-----------------------------|-------------------------|---|
| SSOT-24 | SSOT-24 PKG | Standard Board | SSOT-24 Power Dissipation |
| USPN-4 | USPN-4 PKG | Standard Board | USPN-4 Power Dissipation |

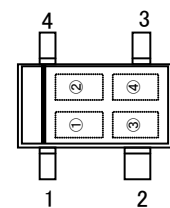
MARKING RULE

●SSOT-24

① represents output configuration and integer number of detect voltage

CMOS Output (XC6119C Series)

| MARK | VOLTAGE (V) | PRODUCT SERIES |
|------|-------------|----------------|
| A | 0.X | XC6119C0**N* |
| B | 1.X | XC6119C1**N* |
| C | 2.X | XC6119C2**N* |
| D | 3.X | XC6119C3**N* |
| E | 4.X | XC6119C4**N* |
| F | 5.X | XC6119C5**N* |



SSOT-24
(TOP VIEW)

N-channel Open Drain Output (XC6119N Series)

| MARK | VOLTAGE (V) | PRODUCT SERIES |
|------|-------------|----------------|
| H | 0.X | XC6119N0**N* |
| K | 1.X | XC6119N1**N* |
| L | 2.X | XC6119N2**N* |
| M | 3.X | XC6119N3**N* |
| N | 4.X | XC6119N4**N* |
| P | 5.X | XC6119N5**N* |

② represents decimal number of detect voltage

| MARK | VOLTAGE (V) | PRODUCT SERIES |
|------|-------------|----------------|
| N | X.0 | XC6119**0*N* |
| P | X.1 | XC6119**1*N* |
| R | X.2 | XC6119**2*N* |
| S | X.3 | XC6119**3*N* |
| T | X.4 | XC6119**4*N* |
| U | X.5 | XC6119**5*N* |
| V | X.6 | XC6119**6*N* |
| X | X.7 | XC6119**7*N* |
| Y | X.8 | XC6119**8*N* |
| Z | X.9 | XC6119**9*N* |

③④ represents production lot number

01 to 09, 0A to 0Z, 11 to 9Z, A1 to A9, AA to Z9, ZA to ZZ repeated (G, I, J, O, Q, W excluded).

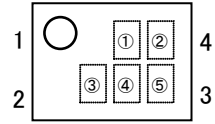
Note: No character inversion used.

MARKING RULE (Continued)

●USPN-4

① represents product series.

| MARK | PRODUCT SERIES |
|------|----------------|
| B | XC6119*****-G |



USPN-4
(TOP VIEW)

② represents output configuration and integer number of detect voltage

CMOS Output (XC6119C Series)

| MARK | VOLTAGE (V) | PRODUCT SERIES |
|------|-------------|----------------|
| A | 0.X | XC6119C0**7*-G |
| B | 1.X | XC6119C1**7*-G |
| C | 2.X | XC6119C2**7*-G |
| D | 3.X | XC6119C3**7*-G |
| E | 4.X | XC6119C4**7*-G |
| F | 5.X | XC6119C5**7*-G |

N-channel Open Drain Output (XC6119N Series)

| MARK | VOLTAGE (V) | PRODUCT SERIES |
|------|-------------|----------------|
| H | 0.X | XC6119N0**7*-G |
| K | 1.X | XC6119N1**7*-G |
| L | 2.X | XC6119N2**7*-G |
| M | 3.X | XC6119N3**7*-G |
| N | 4.X | XC6119N4**7*-G |
| P | 5.X | XC6119N5**7*-G |

③ represents decimal number of detect voltage

| MARK | VOLTAGE (V) | PRODUCT SERIES |
|------|-------------|----------------|
| N | X.0 | XC6119**0*7*-G |
| P | X.1 | XC6119**1*7*-G |
| R | X.2 | XC6119**2*7*-G |
| S | X.3 | XC6119**3*7*-G |
| T | X.4 | XC6119**4*7*-G |
| U | X.5 | XC6119**5*7*-G |
| V | X.6 | XC6119**6*7*-G |
| X | X.7 | XC6119**7*7*-G |
| Y | X.8 | XC6119**8*7*-G |
| Z | X.9 | XC6119**9*7*-G |

④⑤ represents production lot number

01 to 09, 0A to 0Z, 11 to 9Z, A1 to A9, AA to Z9, ZA to ZZ repeated (G, I, J, O, Q, W excluded).

Note: No character inversion used.

1. The product and product specifications contained herein are subject to change without notice to improve performance characteristics. Consult us, or our representatives before use, to confirm that the information in this datasheet is up to date.
2. The information in this datasheet is intended to illustrate the operation and characteristics of our products. We neither make warranties or representations with respect to the accuracy or completeness of the information contained in this datasheet nor grant any license to any intellectual property rights of ours or any third party concerning with the information in this datasheet.
3. Applicable export control laws and regulations should be complied and the procedures required by such laws and regulations should also be followed, when the product or any information contained in this datasheet is exported.
4. The product is neither intended nor warranted for use in equipment of systems which require extremely high levels of quality and/or reliability and/or a malfunction or failure which may cause loss of human life, bodily injury, serious property damage including but not limited to devices or equipment used in 1) nuclear facilities, 2) aerospace industry, 3) medical facilities, 4) automobile industry and other transportation industry and 5) safety devices and safety equipment to control combustions and explosions. Do not use the product for the above use unless agreed by us in writing in advance.
5. Although we make continuous efforts to improve the quality and reliability of our products; nevertheless Semiconductors are likely to fail with a certain probability. So in order to prevent personal injury and/or property damage resulting from such failure, customers are required to incorporate adequate safety measures in their designs, such as system fail safes, redundancy and fire prevention features.
6. Our products are not designed to be Radiation-resistant.
7. Please use the product listed in this datasheet within the specified ranges.
8. We assume no responsibility for damage or loss due to abnormal use.
9. All rights reserved. No part of this datasheet may be copied or reproduced unless agreed by Torex Semiconductor Ltd in writing in advance.

TOREX SEMICONDUCTOR LTD.



Компания «ЭлектроПласт» предлагает заключение долгосрочных отношений при поставках импортных электронных компонентов на взаимовыгодных условиях!

Наши преимущества:

- Оперативные поставки широкого спектра электронных компонентов отечественного и импортного производства напрямую от производителей и с крупнейших мировых складов;
- Поставка более 17-ти миллионов наименований электронных компонентов;
- Поставка сложных, дефицитных, либо снятых с производства позиций;
- Оперативные сроки поставки под заказ (от 5 рабочих дней);
- Экспресс доставка в любую точку России;
- Техническая поддержка проекта, помощь в подборе аналогов, поставка прототипов;
- Система менеджмента качества сертифицирована по Международному стандарту ISO 9001;
- Лицензия ФСБ на осуществление работ с использованием сведений, составляющих государственную тайну;
- Поставка специализированных компонентов (Xilinx, Altera, Analog Devices, Intersil, Interpoint, Microsemi, Aeroflex, Peregrine, Syfer, Eurofarad, Texas Instrument, Miteq, Cobham, E2V, MA-COM, Hittite, Mini-Circuits, General Dynamics и др.);

Помимо этого, одним из направлений компании «ЭлектроПласт» является направление «Источники питания». Мы предлагаем Вам помощь Конструкторского отдела:

- Подбор оптимального решения, техническое обоснование при выборе компонента;
- Подбор аналогов;
- Консультации по применению компонента;
- Поставка образцов и прототипов;
- Техническая поддержка проекта;
- Защита от снятия компонента с производства.



Как с нами связаться

Телефон: 8 (812) 309 58 32 (многоканальный)

Факс: 8 (812) 320-02-42

Электронная почта: org@eplast1.ru

Адрес: 198099, г. Санкт-Петербург, ул. Калинина, дом 2, корпус 4, литера А.