



Nonvolatile RAM Controller

MXD1210

General Description

The MXD1210 nonvolatile RAM controller is a very low-power CMOS circuit that converts standard (volatile) CMOS RAM into nonvolatile memory. It also continually monitors the power supply to provide RAM write protection when power to the RAM is in a marginal (out-of-tolerance) condition. When the power supply begins to fail, the RAM is write-protected, and the device switches to battery-backup mode.

Applications

- Microprocessor Systems
- Computers
- Embedded Systems

Pin Configurations



Features

- ◆ Battery Backup
- ◆ Memory Write Protection
- ◆ 230 μ A Operating Mode Quiescent Current
- ◆ 2nA Backup Mode Quiescent Current
- ◆ Battery Freshness Seal
- ◆ Optional Redundant Battery
- ◆ Low Forward-Voltage Drop on V_{CC} Supply Switch
- ◆ 5% or 10% Power-Fail Detection Options
- ◆ Tests Battery Condition During Power-Up
- ◆ 8-Pin SO Available

Ordering Information

PART	TEMP RANGE	PIN-PACKAGE
MXD1210C/D	0°C to +70°C	Dice*
MXD1210CPA	0°C to +70°C	8 PDIP
MXD1210CSA	0°C to +70°C	8 SO
MXD1210CWE	0°C to +70°C	16 Wide SO
MXD1210EPA	-40°C to +85°C	8 PDIP
MXD1210ESA	-40°C to +85°C	8 SO
MXD1210EWE	-40°C to +85°C	16 Wide SO
MXD1210MJA	-55°C to +125°C	8 CERDIP

* Contact factory for dice specifications.

Devices in PDIP and SO packages are available in both leaded and lead-free packaging. Specify lead free by adding the + symbol at the end of the part number when ordering. Lead free not available for CERDIP package.

Typical Operating Circuit



Nonvolatile RAM Controller

ABSOLUTE MAXIMUM RATINGS

V _{CCI} to GND	-0.3V to +7.0V	8-Pin SO (derate 5.88mW/°C above +70°C).....	471mW
VBATT1 to GND.....	-0.3V to +7.0V	8-Pin CERDIP (derate 8.00mW/°C above +70°C).....	640mW
VBATT2 to GND.....	-0.3V to +7.0V	16-Pin Wide SO (derate 9.52mW/°C above +70°C)	762mW
V _{CCO} to GND	-0.3V to (V _S + 0.3V)	Operating Temperature Range	
(V _S = greater of V _{CCI} , VBATT1, VBATT2)		C Suffix.....	0°C to +70°C
Digital Input and Output		E Suffix.....	-40°C to +85°C
Voltages to GND.....	-0.3V to (V _{CCI} + 0.3V)	M Suffix	-55°C to +125°C
Continuous Power Dissipation (T _A = +70°C)		Storage Temperature Range	-65°C to +150°C
8-Pin PDIP (derate 9.09mW/°C above +70°C).....	727mW	Lead Temperature (soldering, 10s).....	+300°C

Stresses beyond those listed under "Absolute Maximum Ratings" may cause permanent damage to the device. These are stress ratings only, and functional operation of the device at these or any other conditions beyond those indicated in the operational sections of the specifications is not implied. Exposure to absolute maximum rating conditions for extended periods may affect device reliability.

RECOMMENDED OPERATING CONDITIONS

(T_A = T_{MIN} to T_{MAX}, unless otherwise noted.)

PARAMETER	SYMBOL	CONDITIONS	MIN	TYP	MAX	UNITS
Supply Voltage	V _{CCI}	TOL = GND	4.75		5.50	V
		TOL = V _{CCO}	4.50		5.50	
Input High Voltage	V _{IH}		2.2			V
Input Low Voltage	V _{IL}				0.8	V
Battery Voltage	VBATT1 VBATT2	1 or 2 batteries (Note 1)	2.0		4.0	V

ELECTRICAL CHARACTERISTICS—Normal Supply Mode, TOL = V_{CCO}

(V_{CCI} = +4.75V to +5.5V, TOL = GND; or V_{CCI} = +4.5V to +5.5V, TOL = V_{CCO}; T_A = T_{MIN} to T_{MAX}, unless otherwise noted.)

PARAMETER	SYMBOL	CONDITIONS	MIN	TYP	MAX	UNITS
Supply Current	I _{CCI}	V _{CCO} , \overline{CE} open, VBATT1 = VBATT2 = 3V		0.23	0.5	mA
Output Supply Voltage	V _{CCO}	I _{CCO1} = 80mA (Note 2)	MXD1210C	V _{CCI} - 0.20		V
			MXD1210E	V _{CCI} - 0.21		
			MXD1210M	V _{CCI} - 0.25		
Output Supply Current	I _{CCO}	V _{CCI} - V _{CCO} ≤ 0.2V (Note 2)	MXD1210C		80	mA
			MXD1210E	0.23	75	
			MXD1210M	0.23	65	
Input Leakage Current	I _{IL}				±1.0	μA
Output Leakage Current	I _{OL}				±1.0	μA
High-Level Output Voltage	V _{OH}	I _{OH} = -1mA	2.4			V
Low-Level Output Voltage	V _{OL}	I _{OL} = 4mA			0.4	V
V _{CCI} Trip Point	V _{CCTP}	TOL = GND	4.50		4.74	V
		TOL = V _{CCO}	4.25		4.49	

Nonvolatile RAM Controller

ELECTRICAL CHARACTERISTICS—Battery-Backup Mode

($V_{CCI} < V_{BATT}$, positive edge rate at V_{BATT1} , $V_{BATT2} > 0.1V/\mu s$, $T_A = T_{MIN}$ to T_{MAX} , unless otherwise noted.)

PARAMETER	SYMBOL	CONDITIONS	MIN	TYP	MAX	UNITS
Quiescent Current (Note 1)	I_{BATT}	V_{CC0} , $\overline{CE0}$ open, $V_{CCI} = 0V$		2	100	nA
			MXD1210C/E			
					5	μA
Output Supply Current	I_{CCO2}	$V_{BATT} - V_{CC0} \leq 0.2V$ (Notes 3, 4)			300	μA
$\overline{CE0}$ Output Voltage	V_O	Output open		$V_{BATT} - 0.2$		V

CAPACITANCE

($T_A = T_{MIN}$ to T_{MAX} , unless otherwise noted.) (Note 5)

PARAMETER	SYMBOL	CONDITIONS	MIN	TYP	MAX	UNITS
Input Capacitance	C_{IN}				5	pF
Output Capacitance	C_{OUT}				7	pF

V_{CC} POWER TIMING CHARACTERISTICS

($V_{CC} = +4.75V$ to $+5.5V$, $TOL = GND$; or $V_{CCI} = +4.5V$ to $+5.5V$, $TOL = V_{CC0}$, $T_A = T_{MIN}$ to T_{MAX} , unless otherwise noted.)

PARAMETER	SYMBOL	CONDITIONS	MIN	TYP	MAX	UNITS	
\overline{CE} Propagation Delay	t_{PD}	$R_L = 1k\Omega$, $C_L = 50pF$	MXD1210C	5	10	20	ns
			MXD1210E	5	10	22	
			MXD1210M	5	10	25	
\overline{CE} High to Power-Fail	t_{PF}	(Note 5)		0		ns	

TIMING CHARACTERISTICS

($V_{CC} < +4.75V$ to $+5.5V$, $TOL = GND$; or $V_{CCI} < +4.5V$, $TOL = V_{CC0}$, $T_A = T_{MIN}$ to T_{MAX} , unless otherwise noted.)

PARAMETER	SYMBOL	CONDITIONS	MIN	TYP	MAX	UNITS
Recovery at Power-Up	t_{REC}		2	5	20	ms
V_{CC} Slew-Rate Power-Down	t_F	To out-of-tolerance condition	300			μs
	t_{FB}	Tolerance to battery power	10			
V_{CC} Slew-Rate Power-Up	t_R		0			μs
\overline{CE} Pulse Width	t_{CE}	(Note 6)			1.5	μs

Note 1: Only one battery input is required. Unused battery inputs must be grounded.

Note 2: I_{CCO1} is the maximum average load current the MXD1210 can supply to the memories.

Note 3: I_{CCO2} is the maximum average load current the MXD1210 can supply to the memories in battery-backup mode.

Note 4: $\overline{CE0}$ can sustain leakage current only in battery-backup mode.

Note 5: Guaranteed by design.

Note 6: t_{CE} max must be met to ensure data integrity on power loss.

Nonvolatile RAM Controller

Pin Description

PIN		NAME	FUNCTION
8-PIN PDIP/SO	16-PIN WIDE SO		
1	2	V _{CC0}	Backed-Up Supply to RAM
2	4	VBATT1	Battery 1 Positive Connection
3	6	TOL	Tolerance Select Pin
4	8	GND	Ground
5	9	$\overline{\text{CE}}$	Chip-Enable Input
6	11	$\overline{\text{CEO}}$	Chip-Enable Output
7	13	VBATT2	Battery 2 Positive Connection
8	15	V _{CC1}	5V Power Supply to Chip
—	1, 3, 5, 7, 10, 12, 14, 16	N.C.	No Connection. Not internally connected.



Figure 1. Block Diagram

Nonvolatile RAM Controller

Detailed Description

Main Functions

The MXD1210 executes five main functions to perform reliable RAM operation and battery backup (see the *Typical Operating Circuit* and Figure 1):

- 1) RAM Power-Supply Switch: The switch directs power to the RAM from the incoming supply or from the selected battery, whichever is at the greater voltage. The switch control uses the same criterion to direct power to MXD1210 internal circuitry.
- 2) Power-Failure Detection: The write-protection function is enabled when a power failure is detected. The power-failure detection range depends on the state of the TOL pin as follows:

CONDITION	V _{CCTP} RANGE (V)
TOL = GND	4.75 to 4.50
TOL = V _{CCO}	4.50 to 4.25

Power-failure detection is independent of the battery-backup function and precedes it sequentially as the power-supply voltage drops during a typical power failure.

- 3) Write Protection: This holds the chip-enable output (\overline{CEO}) to within 0.2V of V_{CCI} or of the selected battery, whichever is greater. If the chip-enable input (\overline{CE}) is low (active) when power failure is detected, then \overline{CEO} is held low until \overline{CE} is brought high, at which time \overline{CEO} is gated high for the duration of the power failure. The preceding sequence completes the current RD/WR cycle, preventing data corruption if the RAM access is a WR cycle.
- 4) Battery Redundancy: A second battery is optional. When two batteries are connected, the stronger battery is selected to provide RAM backup and to power the MXD1210. The battery-selection circuitry remains active while in the battery-backup mode, selecting the stronger bat-

tery and isolating the weaker one. The battery-selection activity is transparent to the user and the system. If only one battery is connected, the second battery input should be grounded.

- 5) Battery-Status Warning: This notifies the system when the stronger of the two batteries measures $\leq 2.0V$. Each time the MXD1210 is repowered (V_{CCI} > V_{CCTP}) after detecting a power failure, the battery voltage is measured. If the battery in use is low, following the MXD1210 recovery period, the device issues a warning to the system by inhibiting the second memory cycle. The sequence is as follows:

First access: read memory location n, loc(n) = x

Second access: write memory location n,

loc(n) = complement (x)

Third access: read memory location n, loc(n) = ?

If the third access (read) is complement (x), then the battery is good; otherwise the battery is not good. Return to loc(n) = x following the test sequence.

Freshness-Seal Mode

The freshness-seal mode relates to battery longevity during storage rather than directly to battery backup. This mode is activated when the first battery is connected, and is defeated when the voltage at V_{CCI} first exceeds V_{CCTP}. In the freshness-seal mode, both batteries are isolated from the system; that is, no current is drained from either battery, and the RAM is not powered by either battery. This means that batteries can be installed and the system can be held in inventory without battery discharge. The positive edge rate at VBATT1 and VBATT2 should exceed 0.1V/ μ s. The batteries will maintain their full shelf life while installed in the system.

Battery Backup

The *Typical Operating Circuit* shows the MXD1210 connected to write-protect the RAM when V_{CC} is less than 4.75V, and to provide battery backup to the supply.

Nonvolatile RAM Controller

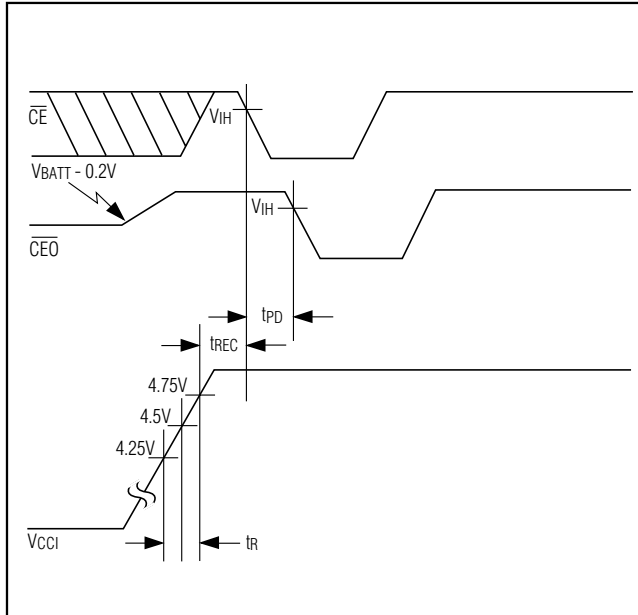


Figure 2. Power-Up Timing Diagram

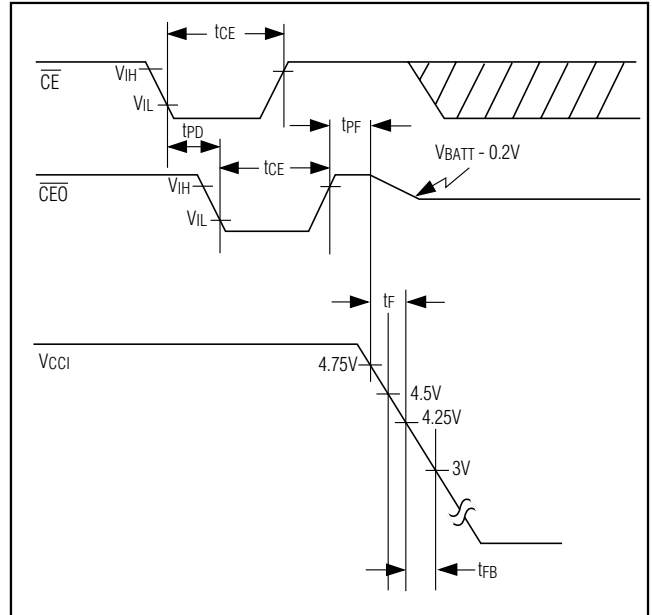
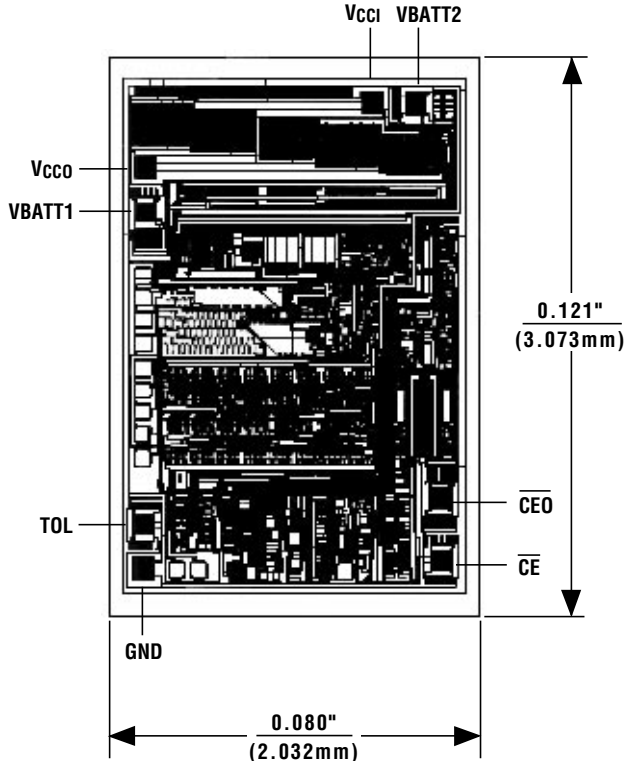


Figure 3. Power-Down Timing Diagram

Nonvolatile RAM Controller

MXD1210

Chip Topography



TRANSISTOR COUNT: 1436;
LEAVE SUBSTRATE UNCONNECTED.

Nonvolatile RAM Controller

Package Information

(The package drawing(s) in this data sheet may not reflect the most current specifications. For the latest package outline information go to www.maxim-ic.com/packages.)



TOP VIEW



FRONT VIEW



SIDE VIEW


DIM	INCHES		MILLIMETERS	
	MIN	MAX	MIN	MAX
A	0.053	0.069	1.35	1.75
A1	0.004	0.010	0.10	0.25
B	0.014	0.019	0.35	0.49
C	0.007	0.010	0.19	0.25
e	0.050 BSC		1.27 BSC	
E	0.150	0.157	3.80	4.00
H	0.228	0.244	5.80	6.20
L	0.016	0.050	0.40	1.27

VARIATIONS:

DIM	INCHES		MILLIMETERS		N	MS012
	MIN	MAX	MIN	MAX		
D	0.189	0.197	4.80	5.00	8	AA
D	0.337	0.344	8.55	8.75	14	AB
D	0.386	0.394	9.80	10.00	16	AC

NOTES:

1. D&E DO NOT INCLUDE MOLD FLASH.
2. MOLD FLASH OR PROTRUSIONS NOT TO EXCEED 0.15mm (.006").
3. LEADS TO BE COPLANAR WITHIN 0.10mm (.004").
4. CONTROLLING DIMENSION: MILLIMETERS.
5. MEETS JEDEC MS012.
6. N = NUMBER OF PINS.

	DALLAS SEMICONDUCTOR	MAXIM
PROPRIETARY INFORMATION		
TITLE:		
PACKAGE OUTLINE, .150" SOIC		
APPROVAL	DOCUMENT CONTROL NO.	REV.
	21-0041	B 1/1

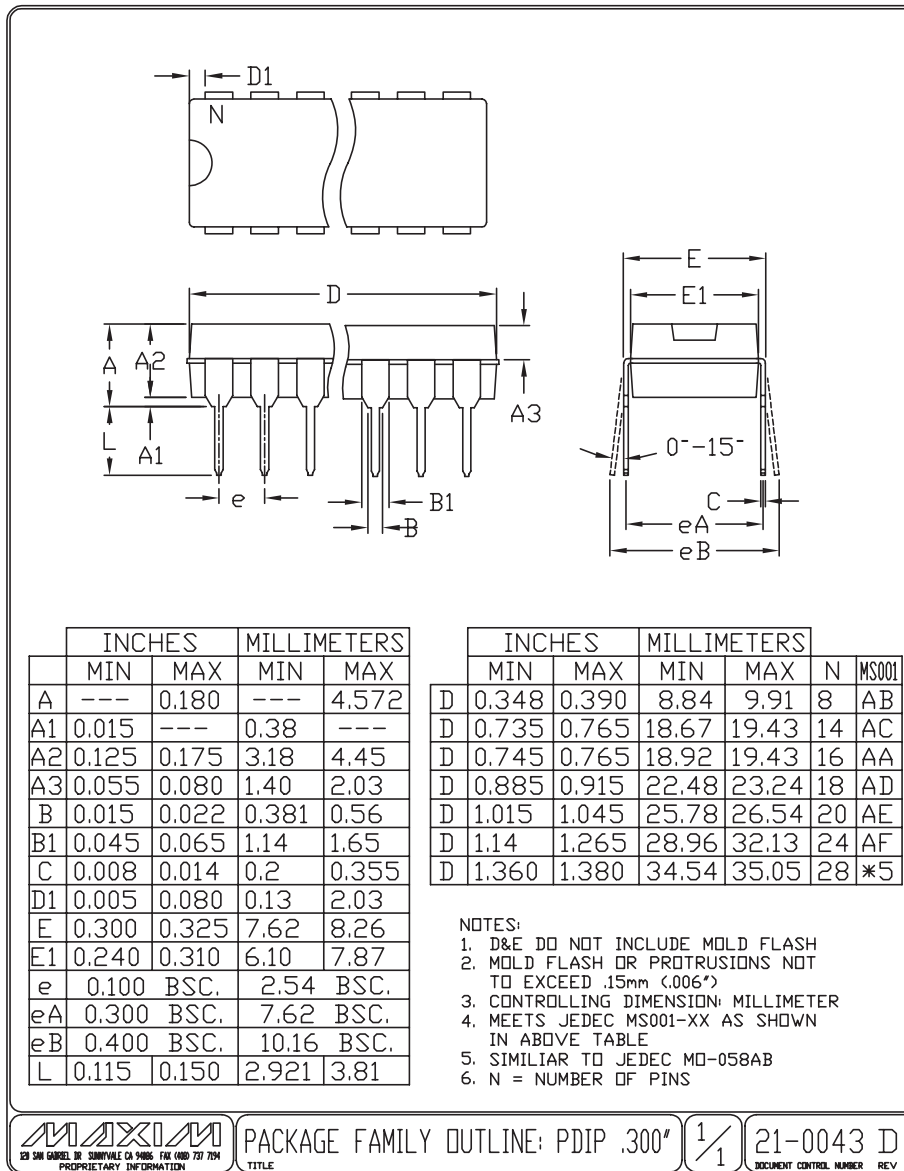
SOICN.EPS

Nonvolatile RAM Controller

Package Information (continued)

(The package drawing(s) in this data sheet may not reflect the most current specifications. For the latest package outline information go to www.maxim-ic.com/packages.)

MXD1210



PACKAGE FAMILY OUTLINE: PDIP .300"

1/1

21-0043 D
DOCUMENT CONTROL NUMBER REV

Maxim cannot assume responsibility for use of any circuitry other than circuitry entirely embodied in a Maxim product. No circuit patent licenses are implied. Maxim reserves the right to change the circuitry and specifications without notice at any time.

Maxim Integrated Products, 120 San Gabriel Drive, Sunnyvale, CA 94086 408-737-7600 9



Компания «ЭлектроПласт» предлагает заключение долгосрочных отношений при поставках импортных электронных компонентов на взаимовыгодных условиях!

Наши преимущества:

- Оперативные поставки широкого спектра электронных компонентов отечественного и импортного производства напрямую от производителей и с крупнейших мировых складов;
- Поставка более 17-ти миллионов наименований электронных компонентов;
- Поставка сложных, дефицитных, либо снятых с производства позиций;
- Оперативные сроки поставки под заказ (от 5 рабочих дней);
- Экспресс доставка в любую точку России;
- Техническая поддержка проекта, помощь в подборе аналогов, поставка прототипов;
- Система менеджмента качества сертифицирована по Международному стандарту ISO 9001;
- Лицензия ФСБ на осуществление работ с использованием сведений, составляющих государственную тайну;
- Поставка специализированных компонентов (Xilinx, Altera, Analog Devices, Intersil, Interpoint, Microsemi, Aeroflex, Peregrine, Syfer, Eurofarad, Texas Instrument, Miteq, Cobham, E2V, MA-COM, Hittite, Mini-Circuits, General Dynamics и др.);

Помимо этого, одним из направлений компании «ЭлектроПласт» является направление «Источники питания». Мы предлагаем Вам помощь Конструкторского отдела:

- Подбор оптимального решения, техническое обоснование при выборе компонента;
- Подбор аналогов;
- Консультации по применению компонента;
- Поставка образцов и прототипов;
- Техническая поддержка проекта;
- Защита от снятия компонента с производства.



Как с нами связаться

Телефон: 8 (812) 309 58 32 (многоканальный)

Факс: 8 (812) 320-02-42

Электронная почта: org@eplast1.ru

Адрес: 198099, г. Санкт-Петербург, ул. Калинина, дом 2, корпус 4, литера А.