

# M5235EVB User's Manual

by: Microcontroller Division

## 1 Preface

EMC information:

- This product, as shipped from the factory with associated power supplies and cables, has been tested and meets with requirements of EN5022 and EN 50082-1: 1998 as a CLASS A product.
- This product is designed and intended for use as a development platform for hardware or software in an educational or professional laboratory.
- In a domestic environment this product may cause radio interference in which case you may be required to take adequate measures.
- Anti-static precautions must be adhered to when using this product.
- Attaching additional cables or wiring to this product or modifying the products operation from the factory default as shipped may effect its performance and also cause interference with

## Contents

1	Preface .....	1
2	M523xEVB .....	2
2.1	MCF5235 Microprocessor .....	4
2.2	System Memory .....	7
2.3	Support Logic .....	9
2.4	Communication Ports .....	14
2.5	Connectors and User Components .....	21
3	Initialization and Setup .....	26
3.1	System Configuration .....	26
3.2	Installation and Setup .....	27
3.3	System Power-up and Initial Operation .....	32
3.4	Using The BDM Port .....	33
4	Using the Monitor/Debug Firmware .....	33
4.1	What is dBUG? .....	33
4.2	Operational Procedure .....	34
4.3	Command Line Usage .....	36
4.4	Commands .....	37
4.5	TRAP #15 Functions .....	71
5	Configuring dBUG for Network Downloads .....	73
5.1	Required Network Parameters .....	73
5.2	Configuring dBUG Network Parameters .....	74
5.3	Troubleshooting Network Problems .....	75
6	Schematics .....	76
7	Evaluation Board BOM .....	93

other apparatus in the immediate vicinity. If such interference is detected, suitable mitigating measures should be taken.

### WARNING

This board generates, uses, and can radiate radio frequency energy and, if not installed properly, may cause interference to radio communications. As temporarily permitted by regulation, it has not been tested for compliance with the limits for class a computing devices pursuant to Subpart J of Part 15 of FCC rules, which are designed to provide reasonable protection against such interference. Operation of this product in a residential area is likely to cause interference, in which case you, at your own expense, are required to correct the interference.

## 2 M523xEVB

This document details the setup and configuration of the ColdFire M523xEVB evaluation board (hereafter referred to as the EVB). The EVB is intended to provide a mechanism for easy customer evaluation of the MCF523x family of ColdFire microprocessors and to facilitate hardware and software development. The EVB can be used by software and hardware developers to test programs, tools, or circuits without having to develop a complete microprocessor system themselves. All special features of the MCF523x family are supported.

The heart of the evaluation board is the MCF5235. All the other M523x family members have a subset of the MCF5235 specification and therefore can be fully emulated using the MCF5235 device. [Table 1](#) below details the full product family.

**Table 1. M523x Product Family**

Part Number	Package	eTPU	FEC	Crypto	CAN
MCF5232CAB80	160 QFP	16-channel	No	No	1
MCF5232CVM100	196 MAPBGA	16-channel	No	No	1
MCF5232CVM150	196 MAPBGA	16-channel	No	No	1
MCF5233CVM100	256 MAPBGA	32-channel	No	No	2
MCF5233CVM150	256 MAPBGA	32-channel	No	No	2
MCF5234CVM100	256 MAPBGA	16-channel	Yes	No	1
MCF5234CVM150	256 MAPBGA	16-channel	Yes	No	1
MCF5235CVM100	256 MAPBGA	16-channel	Yes	Yes	2
MCF5235CVM150	256 MAPBGA	16-channel	Yes	Yes	2

All of the devices in the same package are pin-compatible.

The EVB provides low cost software testing using a ROM-resident debug monitor, dBUG, programmed into the external flash device. Operation allows you to load code in the on-board RAM, execute applications, set breakpoints, and display/modify registers or memory. No additional hardware or software is required for basic operation.

## Specifications:

- Freescale MCF5235 Microprocessor (150 MHz max core frequency)
- External Clock source: 25 MHz
- Operating temperature: 0°C to +70°C
- Power requirement: 7–14V DC @ 300 ma Typical
- Power output: 5V, 3.3V and 1.5V regulated supplies
- Board Size: 10.00 × 5.40 inches, 8 layers

## Memory Devices:

- 16-Mbyte SDRAM
- 2-Mbyte (512K × 16) page mode flash or 4-Mbyte (512K × 32) page mode flash
- 1-Mbyte MRAM
- 64-Kbyte SRAM internal to MCF523x device

## Peripherals:

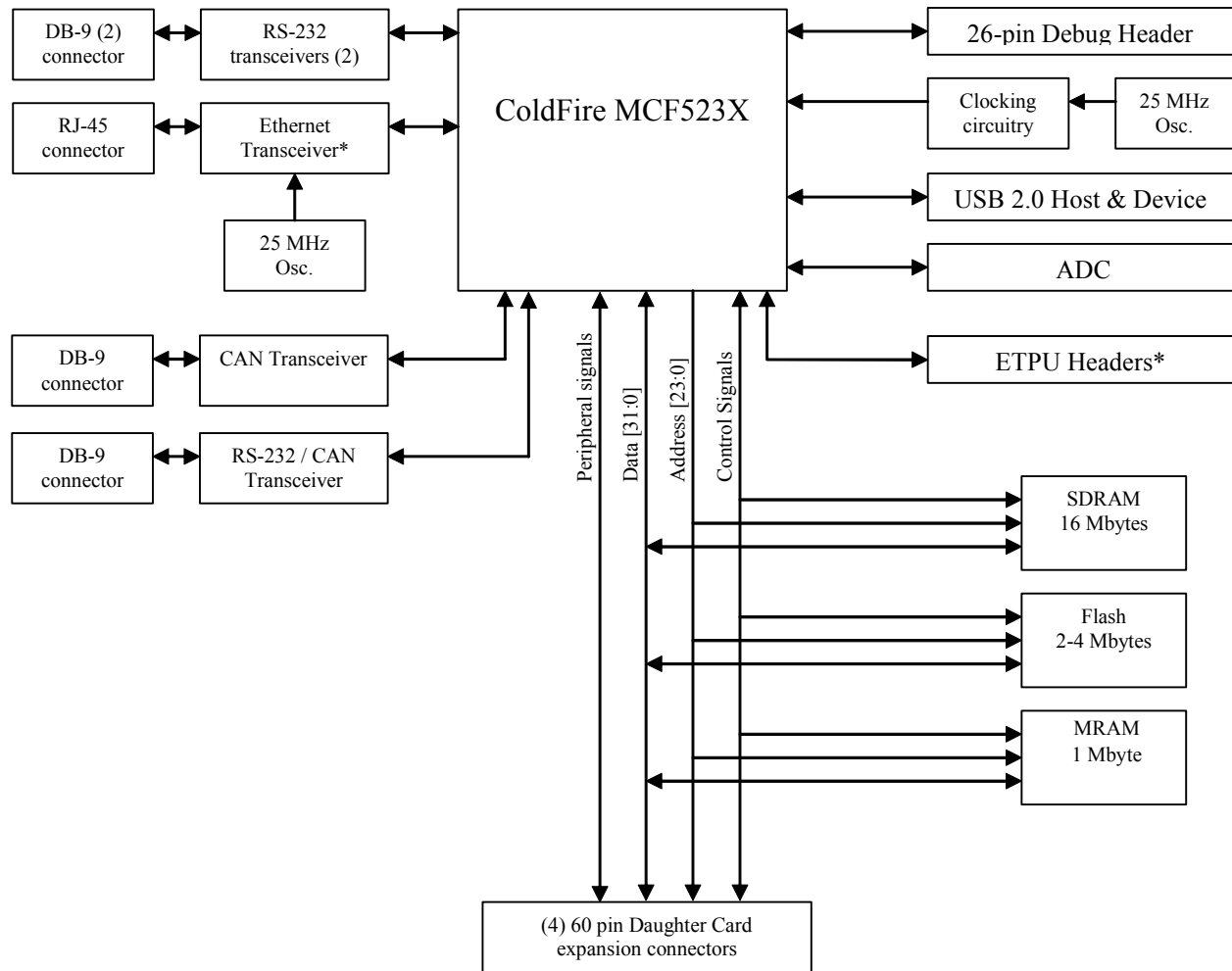
- Ethernet port 10/100Mbps (dual-speed Fast Ethernet transceiver with MII)
- UART0 (RS-232 serial port for dBUG firmware)
- UART1 (auxiliary RS-232 serial port)
- UART2 (auxiliary1 RS-232 serial port jumper selectable with FlexCAN1)
- Enhanced Time Processor Unit (eTPU)
- I<sup>2</sup>C interface
- QSPI interface to ADC
- FlexCAN0 interface
- USB Host and Device Interface
- BDM/JTAG interface

## User Interface:

- Reset logic switch (debounced)
- Boot logic selectable (dip switch)
- Abort/IRQ7 logic switch (debounced)
- PLL Clocking options—Oscillator, Crystal or SMA for external clocking signals
- LEDs for power-up indication, general purpose I/O, and timer output signals
- Expansion connectors for daughter card
- UNI-3 connector for motor control cards

## Software:

- Resident firmware package that provides a self-contained programming and operating environment (dBUG)



\*A jumper chooses between 16 eTPU channels and Ethernet or 32 eTPU channels and no Ethernet

**Figure 1. M523xEVB Block Diagram**

## 2.1 MCF5235 Microprocessor

The microprocessor used on the EVB is the highly integrated Freescale MCF5235 32-bit ColdFire variable-length RISC processor. The MCF5235 implements a Version 2 ColdFire core with a maximum core frequency of 150 MHz and external bus speed of 75 MHz. Features of the MCF5235 include:

- V2 ColdFire core with enhanced multiply-accumulate unit (EMAC) providing 144 (Dhrystone 2.1) MIPS @ 150 MHz
- eTPU with 16 or 32 channels, 6 Kbytes of code memory and 1.5 Kbytes of data memory with debug support
- 64 Kbytes of internal SRAM
- External bus speed of one half the CPU operating frequency (75 MHz bus @ 150 MHz core)
- 10/100 Mbps bus-mastering Ethernet controller

- 8 Kbytes of configurable instruction/data cache
- Three universal asynchronous receiver/transmitters (UARTs) with DMA support
- Controller area network 2.0B (FlexCAN module)
  - Optional second FlexCAN module multiplexed with the third UART
- Inter-integrated circuit (I<sup>2</sup>C) bus controller
- Queued serial peripheral interface (QSPI) module
- Hardware cryptography accelerator (optional)
  - Random number generator
  - DES/3DES/AES block cipher engine
  - MD5/SHA-1/HMAC accelerator
- Four channel 32-bit direct memory access (DMA) controller
- Four channel 32-bit input capture/output compare timers with optional DMA support
- Four channel 16-bit periodic interrupt timers (PITs)
- Programmable software watchdog timer
- Interrupt controller capable of handling up to 126 interrupt sources
- Clock module with Phase Locked Loop (PLL)
- External bus interface module including a 2-bank synchronous DRAM controller
- 32-bit non-multiplexed bus with up to 8 chip select signals that support page-mode flash memories

The MCF5235 communicates with external devices over a 32-bit wide data bus, D[31:0]. The MCF5235 can address a 32-bit address range. However, only 24 bits are available on the external bus, A[23:0]. There are internally generated chip selects to allow the full 32-bit address range to be selected. There are regions that can be decoded to allow supervisor, user, instruction, and data each to have the 32-bit address range.

All the processor's signals are available via daughter card expansion connectors. Refer to the [Section 6, “Schematics”](#) for their pin assignments.

The MCF5235 processor supports BDM and JTAG. These ports are multiplexed and can be used with third party tools to allow you to download code to the board. The board is configured to boot up in the normal/BDM mode of operation. The BDM signals are available at the port labeled BDM.

Figure 2 shows the MCF5235 processor block diagram.

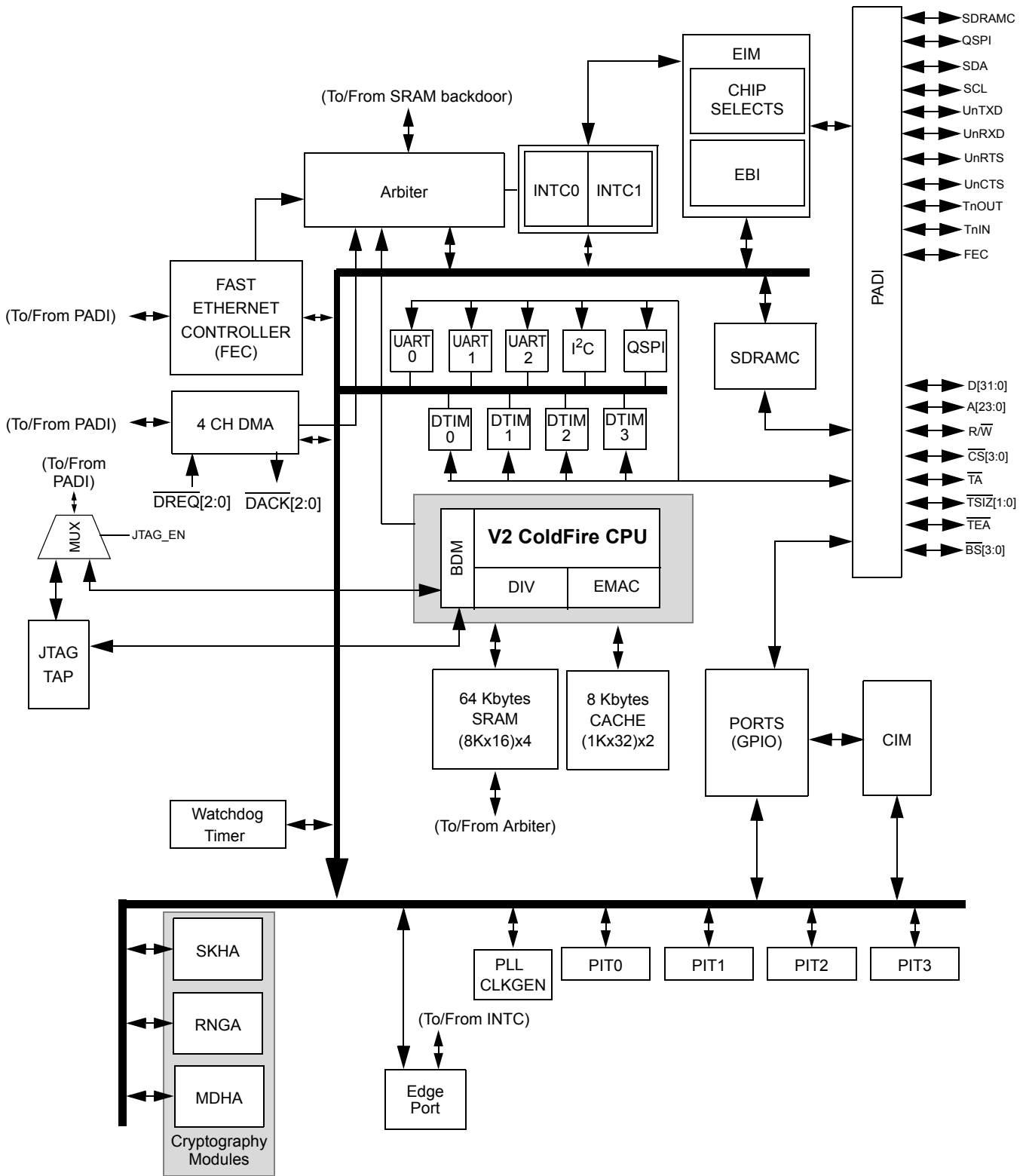


Figure 2. MCF5235 Block Diagram

## 2.2 System Memory

The following diagram shows the external memory implementation on the EVB.

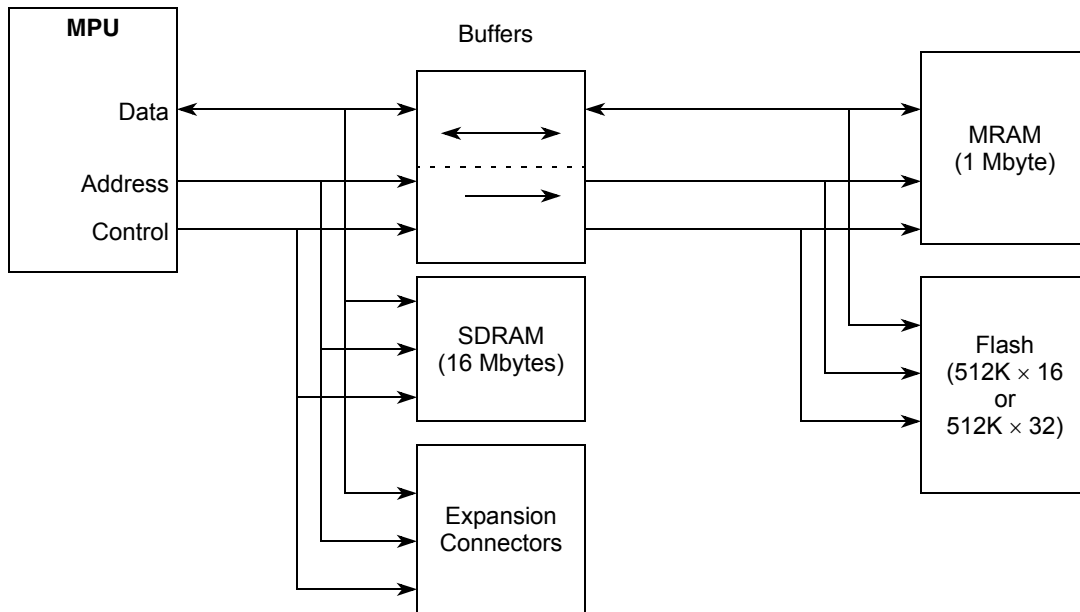


Figure 3. External Memory Scheme

### NOTE

The external bus interface signals to the external MRAM and flash (and USB) are buffered. This is in order not to exceed the maximum output load capacitance of the microprocessor on the EVB. The signals to the expansion connectors remain unbuffered to provide a true interface.

### 2.2.1 External Flash

The EVB is fitted with a single 512K x 16 page-mode flash memory (U19) giving a total memory space of 2Mbytes. Alternatively, a footprint is available for you to upgrade this device to a 512K x 32 page-mode flash memory (U35), doubling the memory size to 4 Mbytes. U19 or U35 should be fitted on the board. Both devices cannot be populated at the same time. Refer to the specific device data sheet and sample software provided for configuring the flash memory.

### NOTE

The debug monitor firmware is installed in this flash device. Development tools or your application programs may erase or corrupt the debug monitor. If the debug monitor becomes corrupted and it's operation is desired, the firmware must be programmed into the flash by applying a development port tool such as BDM. Use caution to avoid this situation. The M523xEVB dBUG debugger/monitor firmware is programmed into the lower sectors of flash (0xFFE0\_0000–0xFFE2\_FFFF for 2 Mbytes of flash or 0xFFC0\_0000–0xFFC2\_FFFF for 4 Mbytes of flash).

By default with U19 fitted on the EVB, jumper 64 (JP64) provides an alternative hardware mechanism for write protection.

If you replaced U19 with the 32-bit flash device (U35), jumper 31 (JP31) has the same functionality as JP64. U35 also has its own hardware write protect pin (C5) that protects the bottom boot sector when pulled to ground.

## 2.2.2 SDRAM

The EVB is populated with 16 Mbytes of SDRAM. This is done with two devices (Micron MT48LC4M16A2TG) each with a 16 bit data bus. Each device is organized as 1 Meg  $\times$  16  $\times$  4 banks with a 16 bit data bus. One device stores the upper 16-bit word and the other the lower 16 bit word of the MCF523x 32 bit data bus.

## 2.2.3 MRAM

The EVB is populated with two 512K  $\times$  16 MRAM devices (Freescale MR2A16A). Also see [Section 2.2.5, “M523xEVB Memory Map”](#).

## 2.2.4 Internal SRAM

The MCF5235 processor has 64-Kbytes of internal SRAM memory that may be used as data or instruction memory. This memory is mapped to 0x2000\_0000 and configured as data space, but is not used by the dBUG monitor except during system initialization. After system initialization is complete, the internal memory is available to you. The memory is relocatable to any 32-Kbyte boundary within the processor’s four gigabyte address space.

## 2.2.5 M523xEVB Memory Map

Interface signals to support the interface to external memory and peripheral devices are generated by the memory controller. The MCF5235 supports eight external chip selects:  $\overline{CS}[1:0]$  are used with external memories,  $\overline{CS}2$  is used for the USB controller, and  $\overline{CS}[7:3]$  are easily accessible to you via the daughter card expansion connectors.  $\overline{CS}0$  also functions as the global (boot) chip-select for booting out of external flash.

Because the MCF5235 chip selects are fully programmable, the memory banks may be located at any 64-Kbyte boundary within the processor’s four gigabyte address space.

The default memory map for this board, as configured by the debug monitor, is found in [Table 2](#). The internal memory space of the MCF5235 is detailed further in the *MCF5235 Reference Manual*. Chip selects 0 and 1 can be changed by your software to map the external memory in different locations, but the chip select configuration such as wait states and transfer acknowledge for each memory type should be maintained.

### Chip Select Usage:

External flash Memory	CS0
External MRAM Memory	CS1



Table 2 shows the M523xEVB memory map.

**Table 2. Default M523xEVB Memory Map**

Address Range	Signal and Device
0x0000_0000–0x00FF_FFFF	16 Mbyte SDRAM
0x2000_0000–0x2000_FFFF	64 Kbytes Internal SRAM
0x3000_0000–0x300F_FFFF	External MRAM
0xFFE0_0000–0xFFFF_FFFF or 0xFFC0_0000–0xFFFF_FFFF	2 Mbytes External Flash or 4 Mbytes External Flash

### 2.2.5.1 Reset Vector Mapping

Asserting the reset input signal to the processor causes a reset exception. The reset exception has the highest priority of any exception; it provides for system initialization and recovery from catastrophic failure. Reset also aborts any processing in progress when the reset input is recognized. Processing cannot be recovered.

The reset exception places the processor in the supervisor mode by setting the S-bit and disables tracing by clearing the SR[T] bit. This exception also clears the M bit and sets the processor's interrupt priority mask in the SR to the highest level (level 7). Next, the VBR is initialized to zero (0x0000\_0000). The control registers specifying the operation of any memories (e.g., cache and/or RAM modules) connected directly to the processor are disabled.

After the processor is granted the bus, it then performs two longword read bus cycles. The first longword at address 0x0000\_0000 is loaded into the stack pointer and the second longword at address 0x0000\_0004 is loaded into the program counter. After the initial instruction is fetched from memory, program execution begins at the address in the PC. If an access error or address error occurs before the first instruction is executed, the processor enters the fault-on-fault halted state.

The memory size that the MCF5235 accesses at address 0x0000\_0000 is determined at reset by sampling D[20:19].

**Table 3. D[20:19] External Boot Chip Select Configuration**

D[20:19]	Boot Device/Data Port Size
00	External (32-bit)
01	External (16-bit)
10	External (8-bit)
11	External (32-bit)

## 2.3 Support Logic

### 2.3.1 Reset Logic

The reset logic provides system initialization. Reset occurs at power-on or by asserting  $\overline{\text{RESET}}$  via SW6.

dBUG configures the MCF5235 microprocessor internal resources during initialization.

- Instruction cache is invalidated and disabled
- Vector base register (VBR) contains an address that initially points to the flash memory
- Contents of the exception table are written to address 0x0000\_0000 in the SDRAM
- Software watchdog timer is disabled
- Bus monitor is enabled
- Internal timers are placed in a stop condition
- Interrupt controller registers are initialized with unique interrupt level/priority pairs

If the external  $\overline{\text{RCON}}$  pin is asserted during reset (SW7-1 ON), then various chip functions, including the reset configuration pin functions after reset, are configured according to the levels driven onto the external data pins. See tables below on settings for reset configurations.

If  $\overline{\text{RCON}}$  is not asserted during reset (SW7-1 OFF), the chip configuration and the reset configuration pin functions after reset are determined by the RCON register or fixed defaults, regardless of the states of the external data pins.

**Table 4. SW7-1  $\overline{\text{RCON}}$**

SW7-1	Reset Configuration
OFF	$\overline{\text{RCON}}$ not asserted, Default Chip configuration or RCON register settings
ON	$\overline{\text{RCON}}$ is asserted, Chip functions, including the reset configuration after reset, are configured according to the levels driven onto the external data pins.

**Table 5. SW7-2 JTAG\_EN**

SW1-2	JTAG Enable
OFF	JTAG interface enabled
ON	BDM interface enabled

**Table 6. SW7-[4:3] Encoded Clock Mode**

SW7-3	SW7-4	Clock Mode
OFF	OFF	External clock mode- (PLL disabled)
OFF	ON	1:1 PLL
ON	OFF	Normal PLL mode with external clock reference
ON	ON	Normal PLL mode w/crystal oscillator reference

**Table 7. SW7-5 Chip Configuration Mode**

SW7-5	RCON (SW7-1)	Mode
OFF	ON	Reserved
ON	ON	Master
X	OFF	Master

**Table 8. SW7-[7:6] Boot Device**

SW7-6	SW7-7	RCON (SW7-1)	Boot Device
OFF	OFF	ON	External (32-bit)
OFF	ON	ON	External (8-bit)
ON	OFF	ON	External (16-bit)
ON	ON	ON	External (32-bit)
X	X	OFF	External (32-bit)

**Table 9. SW7-8 Bus Drive Strength**

SW7-8	RCON (SW7-1)	Drive Strength
OFF	ON	Partial Bus Drive
ON	ON	Full Bus Drive
X	OFF	Partial Bus Drive

**Table 10. SW7-[10:9] Address/Chip Select Mode**

SW7-9	SW7-10	RCON (SW7-1)	Mode
OFF	OFF	ON	PADDR[7:5] = $\overline{CS}$ [6:4]
OFF	ON	ON	PADDR[7] = $\overline{CS}$ 6, PADDR[6:5] = A[22:21]
ON	OFF	ON	PADDR[7:6] = $\overline{CS}$ [6:5], PADDR[5] = A21
ON	ON	ON	PADDR[7:5] = A[23:21]
X	X	OFF	PADDR[7:5] = A[23:21]

## 2.3.2 Clock Circuitry

There are three options to supply the clock to the CPU. These options are configured by setting JP[35:37].

**Table 11. M523xEVB Clock Source Selection**

JP35	JP36	JP37	Clock Selection
1-2	1-2	ON	25 MHz Oscillator (default setting)
2-3	1-2	ON	25 MHz External Clock
X	2-3	OFF	25 MHz Crystal (not populated)

The 25-MHz oscillator (U23) also feeds the Ethernet chip (U11).

There is also a 12-MHz crystal feeding the USB controller (U33).

### 2.3.3 Watchdog Timer

The dBUG firmware does not enable the watchdog timer on the MCF5235.

### 2.3.4 Exception Sources

The ColdFire family of processors supports seven levels of interrupt priorities. When the processor receives an interrupt with a higher priority than the current interrupt mask (in the status register), it performs an interrupt acknowledge cycle at the end of the current instruction cycle. This interrupt acknowledge cycle tells the interrupt source that the request is acknowledged and the source should provide the vector number to indicate where the service routine for this interrupt level is located. If the interrupt source is not capable of providing a vector, its interrupt should be set up as an auto-vector interrupt that directs the processor to a predefined entry in the exception table (refer to the *MCF5235 Reference Manual*).

The processor goes to an exception routine via the exception table. This table is stored in the flash EEPROM and its address location is stored in the VBR. The dBUG ROM monitor writes a copy of the exception table into the RAM starting at 0x0000\_0000. To set an exception vector, place the address of the exception handler in the appropriate vector in the vector table and then point the VBR to 0x0000\_0000.

The MCF5235 microprocessor has seven external interrupt request lines  $\overline{\text{IRQ}}[7:1]$ . The interrupt controller is capable of providing up to 63 interrupt sources. These sources are:

- External interrupt signals  $\overline{\text{IRQ}}[7:1]$  (EPORT)
- Software watchdog timer module
- Timer modules
- UART modules 0, 1 and 2
- I<sup>2</sup>C module
- DMA module
- QSPI module
- FEC module
- PIT
- Security module
- FlexCAN0 and FlexCAN1
- eTPU

All external interrupt inputs are edge sensitive. The active level is programmable. An interrupt request must be held valid until an IACK cycle starts to guarantee correct processing. Each interrupt input can have its priority programmed by setting the xIPL[2:0] bits in the interrupt control registers except interrupts 1–7 because they have a fixed priority.

No interrupt sources should have the same level and priority as another. Programming two interrupt sources with the same level and priority results in undefined operation.

The M523xEVB hardware uses  $\overline{\text{IRQ7}}$  to support the ABORT function using the ABORT switch (SW5). This switch is used to force an interrupt (level 7, priority 3) if your program execution should be aborted without issuing a reset (refer to [Section 4, “Using the Monitor/Debug Firmware”](#), for more information on ABORT). Because the ABORT switch is not capable of generating a vector in response to a level seven interrupt acknowledge from the processor, the dBUG programs this interrupt request for autovector mode.

Refer to the *MCF5235 Reference Manual* for more information about the interrupt controller.

### 2.3.5 $\overline{\text{TA}}$ Generation

The processor starts a bus cycle by asserting  $\overline{\text{CSx}}$  with the other control signals. The processor then waits for a transfer acknowledgment ( $\overline{\text{TA}}$ ) from within (auto-acknowledge, AA mode) or from the externally addressed device before it can complete the bus cycle.  $\overline{\text{TA}}$  indicates the completion of the bus cycle. It also allows devices with different access times to communicate with the processor properly asynchronously.

The MCF5235 processor, as part of the chip-select logic, has a built-in mechanism to generate  $\overline{\text{TA}}$  for all external devices that cannot generate this signal. For example, the flash ROM cannot generate a  $\overline{\text{TA}}$  signal. The chip-select logic is programmed by the dBUG ROM monitor to generate  $\overline{\text{TA}}$  internally after a pre-programmed number of wait states. To support future expansion of the M523xEVB, the  $\overline{\text{TA}}$  input of the processor is also connected to the processor expansion bus (J9, pin 44). This allows any expansion boards to assert this line to provide a  $\overline{\text{TA}}$  signal to the processor. On the expansion boards this signal should be generated through an open collector buffer with no pull-up resistor; a pull-up resistor is included on this board. All  $\overline{\text{TA}}$  signals from expansion boards should be connected to this line.

### 2.3.6 User's Program

JP64 on the 16-Mbit flash (U19) or JP31 if using 32-Mbit flash (U35) allows you to test code from boot/POR without having to overwrite the ROM monitor.

When the jumper is set between pins 1 and 2, the behavior of the system is normal: dBUG boots and then runs from 0xFFE0\_0000 (0xFFC0\_0000). When the jumper is set between pins 2 and 3, the board boots from the top half of the flash (0xFFF0\_0000).

Procedure:

1. Compile and link as though the code was to be placed at the base of the flash.
2. Set up the jumper JP64 (JP31) for normal operation, pin 1 connected to pin 2.
3. Download to SDRAM. (If using serial or Ethernet, start the ROM monitor first. If using BDM via a wiggler cable, download first, then start ROM monitor by pointing the program counter (PC) to 0xFFE0\_0400 (0xFFC0\_0400) and run.)
4. In the ROM monitor, execute the '`FL write <dest> <src> <bytes>`' command.
5. Move jumper JP64 (JP31) to pin 2 connected to pin 3 and push the reset button (SW6). Your code should now be running from reset/POR.

## 2.4 Communication Ports

The EVB provides external communication interfaces for two UART serial ports, a UART/FlexCAN1 port, FlexCAN0 port, QSPI, I<sup>2</sup>C port, 10/100T Ethernet port, eTPU port (including UNI3 and HS/ENCO connectors for auxiliary motor control cards), USB host port, USB device port, and BDM/JTAG port.

### 2.4.1 UART0 and UART1 Ports

The MCF5235 device has three built in UARTs, each with its own software-programmable baud rate generator. Two of these UART interfaces are brought out to RS232 transceivers. One channel is the ROM monitor to terminal output and the other is available to you. The ROM monitor programs the interrupt level for UART0 to level 3, priority 2 and autovector mode of operation. The interrupt level for UART1 is programmed to level 3, priority 1 and autovector mode of operation. The signals from these channels are available on expansion connectors J7 and J8. The UART0 and UART1 signals are passed through the RS-232 transceivers (U30) & (U31) and are available on DB-9 connectors (P4) and (P5).

Refer to the *MCF5235 Reference Manual* for programming the UARTs and their register maps.

### 2.4.2 UART2/FlexCAN1 Port

The third UART on the MCF5235 is multiplexed with the second FlexCAN module (FlexCAN1). The functionality of these ports is jumper-selectable on the EVB. [Table 12](#) shows the jumper configuration to activate UART2 or FlexCAN1.

**Table 12. UART2/FlexCAN1 Jumper Configuration**

Jumper	UART2 Setting	FlexCAN1 Setting
JP7	1-2	2-3
JP12	1-2	2-3
JP25	2-3	X
JP26	2-3	X
JP50	2-3	1-2
JP51	2-3	1-2
JP52	2-3	1-2

The signals of UART2 are passed through RS-232 transceiver U32 and are jumper-selectable (see [Table 12](#)) on DB-9 connector P6.

The CAN1TX and CAN1RX signals from FlexCAN1 are brought out to a 3.3-V CAN transceiver (Texas Instruments SN65HVD230D) and are jumper-selectable (see [Table 12](#)) on DB-9 connector P6. Jumpers JP3 and JP4 control the CAN hardware configuration.

**Table 13. FlexCAN1 Jumper Configuration**

Jumper	Function	ON	OFF
JP3	Transceiver mode	Standby	High Speed (No Slope Control)
JP4	CAN Termination	Terminating resistor between CANL and CANH	No terminating resistor

### 2.4.3 FlexCAN0 Port

The EVB provides one dedicated CAN transceiver. The CAN0TX and CAN0RX signals are brought out to a 3.3V CAN transceiver (Texas Instruments SN65HVD230D). Jumper JP1 and JP2 control the CAN hardware configuration.

**Table 14. FlexCAN0 Jumper Configuration**

Jumper	Function	ON	OFF
JP1	Transceiver mode	Standby	High Speed (No Slope Control)
JP2	CAN Termination	Terminating resistor between CANL and CANH	No terminating resistor

The CANL and CANH signals are brought out from the CAN transceiver to a female DB-9 connector (P1) in the configuration below.

**Table 15. CAN Bus Connector Pinout**

DB-9 pin	Signal
1,4-6,7-9	Not Connected
2	CANL
3	Ground
7	CANH

### 2.4.4 10/100T Ethernet Port

The MCF5235 microprocessor populated on the EVB is a superset device of the MCF523x family. The upper 16 eTPU channels are multiplexed with the ethernet port giving you the choice of using the full 32-channels of eTPU or 16-channels of eTPU with the Fast Ethernet controller (FEC) activated. Pin M4 on the MCF5235 configures the internal functionality of these 16 pins. If you are using the FEC, pin M4 must be pulled low by setting SW7-11 to the ON position.

These 16 pins are also jumper-selectable between the eTPU and the FEC to isolate the external circuitry required to implement the functionality of these modules. [Table 16](#) lists the appropriate jumper settings to enable eTPU or FEC functionality on these pins.

The MCF5235 device performs the full set of IEEE 802.3/Ethernet CSMA/CD media access control and channel interface functions. The MCF5235 Ethernet controller requires an external interface adaptor and

transceiver function to complete the interface to the ethernet media. The MCF5235 Ethernet module also features an integrated fast (100baseT) Ethernet media access controller (MAC).

The Fast Ethernet controller (FEC) incorporates the following features:

- Support for three different Ethernet physical interfaces:
  - 100-Mbps IEEE 802.3 MII
  - 10-Mbps IEEE 802.3 MII
  - 10-Mbps 7-wire interface (industry standard)
- IEEE 802.3 full duplex flow control
- Programmable max frame length supports IEEE 802.1 VLAN tags and priority
- Support for full-duplex operation (200Mbps throughput) with a minimum system clock rate of 50 MHz
- Support for half-duplex operation (100Mbps throughput) with a minimum system clock rate of 25 MHz
- Retransmission from transmit FIFO following a collision (no processor bus utilization)
- Automatic internal flushing of the receive FIFO for runts (collision fragments) and address recognition rejects (no processor bus utilization)
- Address recognition
  - Frames with broadcast address may be always accepted or always rejected
  - Exact match for single 48-bit individual (unicast) address
  - Hash (64-bit hash) check of individual (unicast) addresses
  - Hash (64-bit hash) check of group (multicast) addresses
  - Promiscuous mode

For more details see the *MCF5235 Reference Manual*. The on-board ROM monitor is programmed to allow you to download files from a network to memory in different formats. The current compiler formats supported are S-Record, COFF, ELF or Image.

**Table 16. Ethernet/eTPU Jumper Configuration**

Jumper	Pin	Ethernet Setting	Ethernet Signal	eTPU Setting	eTPU Channel
JP5	D5	2-3	ERXER	1-2	23
JP9	C5	2-3	ETXCLK	1-2	22
JP10	B5	2-3	ETXD2	1-2	18
JP11	A5	2-3	ETXD1	1-2	17
JP13	D6	2-3	ETXEN	1-2	21
JP14	C6	2-3	ETXER	1-2	20
JP15	B6	2-3	ETXD3	1-2	19
JP16	C4	2-3	ERXD0	1-2	24
JP17	B7	2-3	ETXD0	1-2	16
JP18	C3	2-3	ERXD1	1-2	25



**Table 16. Ethernet/eTPU Jumper Configuration (continued)**

Jumper	Pin	Ethernet Setting	Ethernet Signal	eTPU Setting	eTPU Channel
JP19	D4	2-3	ERXD2	1-2	26
JP20	D3	2-3	ERXD3	1-2	27
JP21	E3	2-3	ERXCLK	1-2	29
JP22	E4	2-3	ERXDV	1-2	28
JP23	F3	2-3	ECOL	1-2	31
JP24	F4	2-3	ECRS	1-2	30

## 2.4.5 eTPU

The eTPU is an intelligent programmable I/O controller with its own core and memory system, allowing it to perform complex timing and I/O management independently of the CPU. The eTPU is essentially a co-processor designed for timing control, I/O handling, serial communications, motor control, and engine control applications and accesses data without the host CPU's intervention. Consequently, the host CPU setup and service times for each timer event are minimized or eliminated.

The eTPU is an enhanced version of the TPU module implemented on the MC68332 and MPC500 products. Enhancements of the eTPU include a more powerful processor that handles high-level C code efficiently and has more functionality and increased performance. Although there is no compatibility at the microcode level, the eTPU maintains several features of older TPU versions and is conceptually almost identical. The eTPU library is a superset of the standard TPU library functions modified to take advantage of enhancements in the eTPU. These, along with a C compiler, make it relatively easy to port older applications. By providing source code for the Freescale library, it is possible for the eTPU to support your own function development.

The eTPU has up to 32 timer channels in addition to having 6 Kbytes of code memory and 1.5 Kbytes of data memory that stores software modules downloaded at boot time and that can be mixed and matched as required for any specific application.

As mentioned in [Section 2.4.4, "10/100T Ethernet Port,"](#) the upper 16-channels of the eTPU are multiplexed with the Fast Ethernet controller. Refer to [Table 16](#) to set the appropriate jumpers to enable 16 or 32-channels. To configure the device to operate with the top 16-channels of the eTPU activated, pin M4 must be pulled high by setting SW7-11 to the OFF position.

All 32 eTPU channels are available on a 0.1 2x20 Molex connector providing easy access to the eTPU.

**Table 17. eTPU Header Pin Assignment**

Pin	eTPU Signal	Pin	eTPU Signal
1	+3.3V	2	+5V
3	TPUCH16	4	UTPUODIS
5	TPUCH17	6	LTPUODIS
7	TPUCH18	8	TPUCH0

**Table 17. eTPU Header Pin Assignment (continued)**

Pin	eTPU Signal	Pin	eTPU Signal
9	TPUCH19	10	TPUCH1
11	TPUCH20	12	TPUCH2
13	TPUCH21	14	TPUCH3
15	TPUCH22	16	TPUCH4
17	TPUCH23	18	TPUCH5
19	TPUCH24	20	TPUCH6
21	TPUCH25	22	TPUCH7
23	TPUCH26	24	TPUCH8
25	TPUCH27	26	TPUCH9
27	TPUCH28	28	TPUCH10
29	TPUCH29	30	TPUCH11
31	TPUCH30	32	TPUCH12
33	TPUCH31	34	TPUCH13
35	GND	36	TPUCH14
37	TCRCLK	38	TPUCH15
39	GND	40	GND

There is a UNI3 connector and HS/ENCO connector on the EVB for connection to an auxiliary card. The auxiliary card is intended for evaluation of the eTPU functionality.

## 2.4.6 BDM/JTAG Port

The MCF5235 processor has a background debug mode (BDM) port, which supports real-time trace and real-time debug. The signals necessary for debug are available at connector J1 as shown in [Figure 4](#).

The BDM connector can also be used to interface to JTAG signals. On reset, the JTAG\_EN signal selects between multiplexed debug module and JTAG signals. See [Table 5](#).

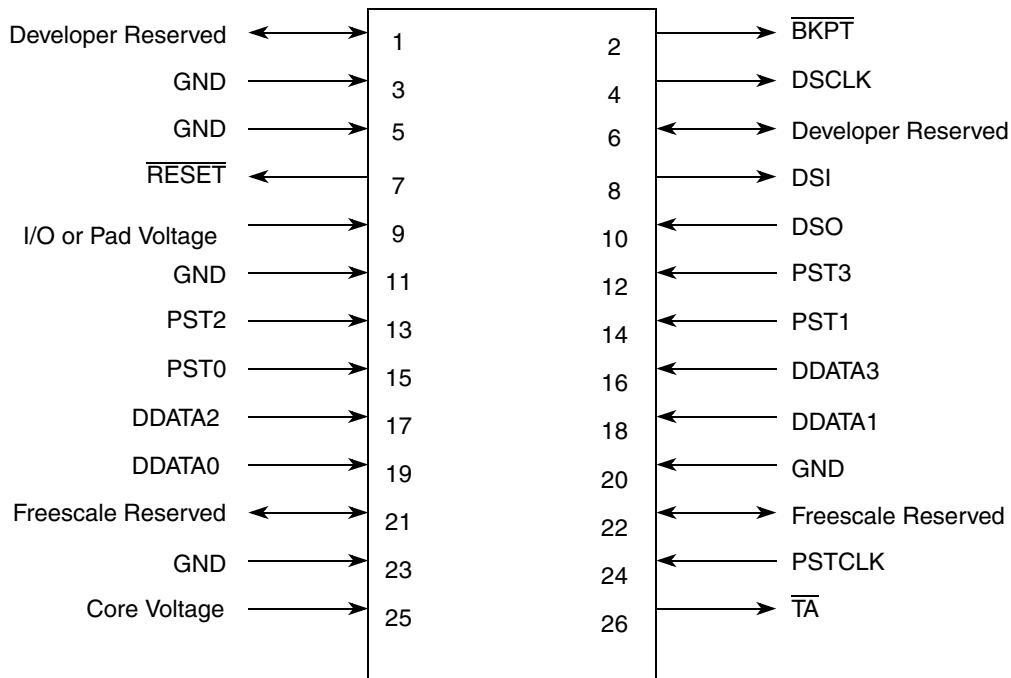


Figure 4. J1- BDM Connector Pin Assignment

## 2.4.7 I<sup>2</sup>C

The MCF5235's I<sup>2</sup>C module includes the following features:

- Compatibility with the I<sup>2</sup>C bus standard version 2.1
- Multi-master operation
- Software programmable for one of 50 different clock frequencies
- Software selectable acknowledge bit
- Interrupt driven byte by byte data transfer
- Arbitration-lost interrupt with automatic mode switching from master to slave
- Calling address identification interrupt
- Start and stop signal generation and detection
- Repeated start signal generation
- Acknowledge bit generation and detection
- Bus busy detection

Please see the *MCF5235 Reference Manual* for more details. The I<sup>2</sup>C signals from the MCF5235 device are brought out to expansion connector J13.

The I<sup>2</sup>C functionality of the MCF5235 is multiplexed on the same pins as the QSPI. Jumpers JP6 and JP8 are used to connect/disconnect the I<sup>2</sup>C signals, SDA and SCL. To enable I<sup>2</sup>C set JP6 and JP8 between pins 2 and 3.

## 2.4.8 Queued Serial Peripheral Interface (QSPI)

The QSPI module provides a serial peripheral interface with queued transfer capability. It supports up to 16 stacked transfers at one time, minimizing CPU intervention between transfers. Transfer RAMs in the QSPI are indirectly accessible using address and data registers.

Functionality is very similar to the QSPI portion of the QSM (queued serial module) implemented in the MC68332 processor.

- Programmable queue to support up to 16 transfers without user intervention
- Supports transfer sizes of eight to 16 bits in one bit increments
- Four peripheral chip-select lines for control of up to 15 devices
- Baud rates from 147.1-Kbps to 18.75-Mbps at 75 MHz.
- Programmable delays before and after transfers
- Programmable QSPI clock phase and polarity
- Supports wrap-around mode for continuous transfers

Please see the *MCF5235 Reference Manual* for more details. The QSPI signals from the MCF5235 device are brought out to expansion connector J12.

Some of the QSPI signals are multiplexed with the I<sup>2</sup>C module. Set JP6 and JP8 between pins 1 and 2 to enable the QSPI module.

The EVB features an analog-to-digital converter (ADC) interfaced to the CPU via the QSPI. The ADC uses QSPI chip select 0. This chip select has a jumper that can be removed if you are not using the ADC and wish to connect QSPI\_CS0 to an alternate device.

## 2.4.9 USB Host and Device

The EVB features a USB controller interfaced externally to the MCF5235 via the DMA and external bus modules. The USB controller can be configured to run in Host or Device mode.

There is a series A connector (host) and a series B connector (device) populated on the EVB. Either can be used depending on whether the USB controller is configured to run in host or device mode. Set JP56 between pins 2 and 3 to configure the controller for host mode or between pin 1 and 2 to configure the controller for device mode.

The USB controller also has On-The-Go (OTG) functionality. There is a footprint on the EVB for an OTG Mini-AB connector if you want to use USB OTG. If using OTG, JP55 must be fitted.

For more details see the Philips Semiconductor datasheet for the ISP1362 USB OTG controller.

There are a series of jumpers connected to the USB controller allowing you to disconnect the DMA and interrupt signals between the CPU and the USB controller if the USB controller is not in use. This gives you access to the DMA timer module channels 1 and 2 and an extra interrupt signal. [Table 18](#) details these jumper settings.

**Table 18. USB DMA Enable and Disable Settings**

Jumper	Functionality when Jumper is Fitted	Functionality when Jumper is NOT Fitted
JP57	USB DMA request signal	DMA Timer 1 input enabled
JP58	USB DMA request signal	DMA Timer 2 input enabled
JP59	USB DMA acknowledge signal	DMA Timer 2 output enabled
JP60	USB DMA acknowledge signal	DMA Timer 1 output enabled
JP61	DACK1 not in use - pulled high	DMA acknowledge 1 enabled
JP62	Interrupt 4 enabled for USB	Interrupt 4 disabled from USB
JP63	DACK2 not in use - pulled high	DMA acknowledge 2 enabled

## 2.5 Connectors and User Components

### 2.5.1 Daughter Card Expansion Connectors

Four, 60-way SMT connectors (J7, J8, J9 and J10) provide access to all MCF5235 signals. These connectors are ideal for interfacing to a custom daughter card or for simple probing of processor signals. Below is a pinout description of these connectors.

**Table 19. J7**

Pin	Signal	Pin	Signal
1	+5V	2	+5V
3	+3.3V	4	+3.3V
5	+3.3V	6	+3.3V
7	GND	8	GND
9	TPUCH24	10	TPUCH6
11	TPUCH17	12	TPUCH4
13	TPUCH18	14	TPUCH5
15	TPUCH22	16	TPUCH2
17	TPUCH23	18	TPUCH3
19	TPUCH19	20	TPUCH1
21	TPUCH20	22	TPUCH0
23	TPUCH21	24	GND
25	TPUCH16	26	EMDIO
27	U2CTS	28	EMDC
29	I2C_SCL	30	I2C_SDA
31	QSPI_SCK	32	QSPI_DIN
33	BS3	34	QSPI_DOUT

**Table 19. J7 (continued)**

Pin	Signal	Pin	Signal
35	BS2	36	QSPI_PCS0
37	BS1	38	SD_SCKE
39	BS0	40	CAN1RX
41	U2RTS	42	U2RXD
43	QSPI_PCS1	44	U1CTS
45	U1RTS	46	CAN1TX
47	U1RXD	48	U2TXD
49	U1TXD	50	CS2
51	CS3	52	CS7
53	CS6	54	CS5
55	CS1	56	CS0
57	CS4	58	A23
59	GND	60	GND

**Table 20. J8**

Pin	Signal	Pin	Signal
1	+5V	2	+1.5V
3	+3.3V	4	+3.3V
5	TPUCH8	6	TPUCH7
7	TPUCH10	8	TPUCH9
9	TPUCH25	10	TPUCH12
11	TPUCH27	12	TPUCH11
13	TPUCH26	14	TPUCH14
15	TPUCH29	16	TPUCH13
17	TPUCH28	18	TCRCLK
19	TPUCH31	20	TPUCH15
21	TPUCH30	22	GND
23	GND	24	U0CTS
25	U0RXD	26	DTOUT0
27	DTIN0	28	U0TXD
29	U0RTS	30	GND
31	CLKMOD0	32	+3.3V
33	CLKMOD1	34	GND

**Table 20. J8 (continued)**

Pin	Signal	Pin	Signal
35	GND	36	D28
37	D30	38	D29
39	D31	40	D24
41	D26	42	D25
43	D27	44	D21
45	D23	46	D22
47	EXT_RSTIN	48	D19
49	GND	50	GND
51	D13	52	D20
53	D9	54	D17
55	D12	56	D18
57	D15	58	D16
59	GND	60	GND

**Table 21. J9**

Pin	Signal	Pin	Signal
1	+5V	2	+1.5V
3	+3.3V	4	+3.3V
5	+3.3V	6	+3.3V
7	GND	8	GND
9	A21	10	A22
11	A19	12	A20
13	A17	14	A18
15	A16	16	A14
17	A15	18	A11
19	A13	20	GND
21	GND	22	A10
23	A12	24	A8
25	A9	26	A7
27	A6	28	A4
29	A5	30	GND
31	A2	32	A0
33	A3	34	A1

**Table 21. J9 (continued)**

Pin	Signal	Pin	Signal
35	GND	36	GND
37	DTIN3	38	UTPUODIS
39	DTOUT3	40	LTPUODIS
41	TIP	42	TEA
43	TS	44	TA
45	CAN0RX	46	SD_WE
47	R $\bar{W}$	48	CAN0TX
49	SD_CAS	50	SD_CS0
51	CLKOUT	52	SD_RAS
53	SD_CS1	54	DDATA3
55	XTAL	56	EXTAL
57	GND	58	GND
59	GND	60	GND

**Table 22. J10**

Pin	Signal	Pin	Signal
1	+5V	2	+1.5V
3	+3.3V	4	+3.3V
5	D14	6	D10
7	D11	8	D6
9	D7	10	D8
11	D5	12	D4
13	GND	14	GND
15	D1	16	D2
17	D3	18	OE
19	D0	20	DTOUT1
21	DTIN1	22	+3.3V
23	+3.3V	24	IRQ6
25	IRQ7	26	TSIZ0
27	TSIZ1	28	IRQ2
29	IRQ3	30	IRQ4
31	IRQ5	32	TCLK/PSTCLK
33	DTOUT2	34	DTIN2



**Table 22. J10 (continued)**

Pin	Signal	Pin	Signal
35	IRQ1	36	TDI/DSI
37	TDO/DSO	38	TMS/BKPT
39	TRST/DSCLK	40	GND
41	GND	42	PST3
43	PST1	44	PST2
45	PST0	46	DDATA0
47	DDATA2	48	DDATA1
49	GND	50	GND
51	JTAG_EN	52	RCON
53	GND	54	RSTOUT
55	GND	56	RESET
57	GND	58	GND
59	GND	60	GND

## 2.5.2 Reset Switch (SW6)

The reset logic provides system initialization. Reset occurs at power-on or by asserting  $\overline{\text{RESET}}$  via SW6.

A hard reset and voltage sense controller (U25) is used to produce an active low power-on reset signal. The reset switch (SW6) is fed into U25 that generates the signal tied to the MCF5235's  $\overline{\text{RESET}}$ .  $\overline{\text{RESET}}$  is an open collector signal. Therefore, it can be wire-OR'ed with other reset signals from additional peripherals. On the EVB,  $\overline{\text{RESET}}$  is wire OR'd with the BDM reset signal and a reset signal is available on the expansion connectors for use with your hardware.

See [Section 2.3.1, "Reset Logic"](#), for more details on reset.

## 2.5.3 User LEDs

There are eight LEDs available to you. Each of these LEDs are pulled to +3.3V through a 10  $\Omega$  resistor and can be illuminated by driving a logic 0 on the appropriate signal to sink the current. Each of these signals can be disconnected from its associated LED with a jumper. The table below details which MCF5235 signal is associated with which LED.

**Table 23. User LEDs**

LED	MCF5235 Signal	Jumper to disconnect
D25	DTOUT0	JP38
D26	DTIN0	JP39
D27	DTOUT1	JP40
D28	DTIN1	JP41

**Table 23. User LEDs (continued)**

LED	MCF5235 Signal	Jumper to disconnect
D29	DTOUT2	JP42
D30	DTIN2	JP43
D31	DTOUT3	JP44
D32	DTIN3	JP45

## 2.5.4 Other LEDs

There are several other LEDs on the M523xEVB to signal various board/processor/component states. Below is a list of those LEDs and their functions:

**Table 24. LED Functions**

LED	Function
D1–D4	Ethernet Phy functionality
D5–D12	eTPU functionality
D14	+3.3V Power Good
D17	+5V Power Good
D23	Abort ( $\overline{\text{IRQ7}}$ ) asserted
D24	Reset ( $\overline{\text{RSTI}}$ ) asserted
D25–D32	User LEDs (See <a href="#">Table 23</a> )

# 3 Initialization and Setup

## 3.1 System Configuration

The M523xEVB board requires the following items for minimum system configuration:

- The M523xEVB board (provided).
- Power supply, +7V to 14V DC with minimum of 300 mA.
- RS232C compatible terminal or a PC with terminal emulation software.
- RS232 communication cable (provided).

Figure 5 displays the minimum system configuration.

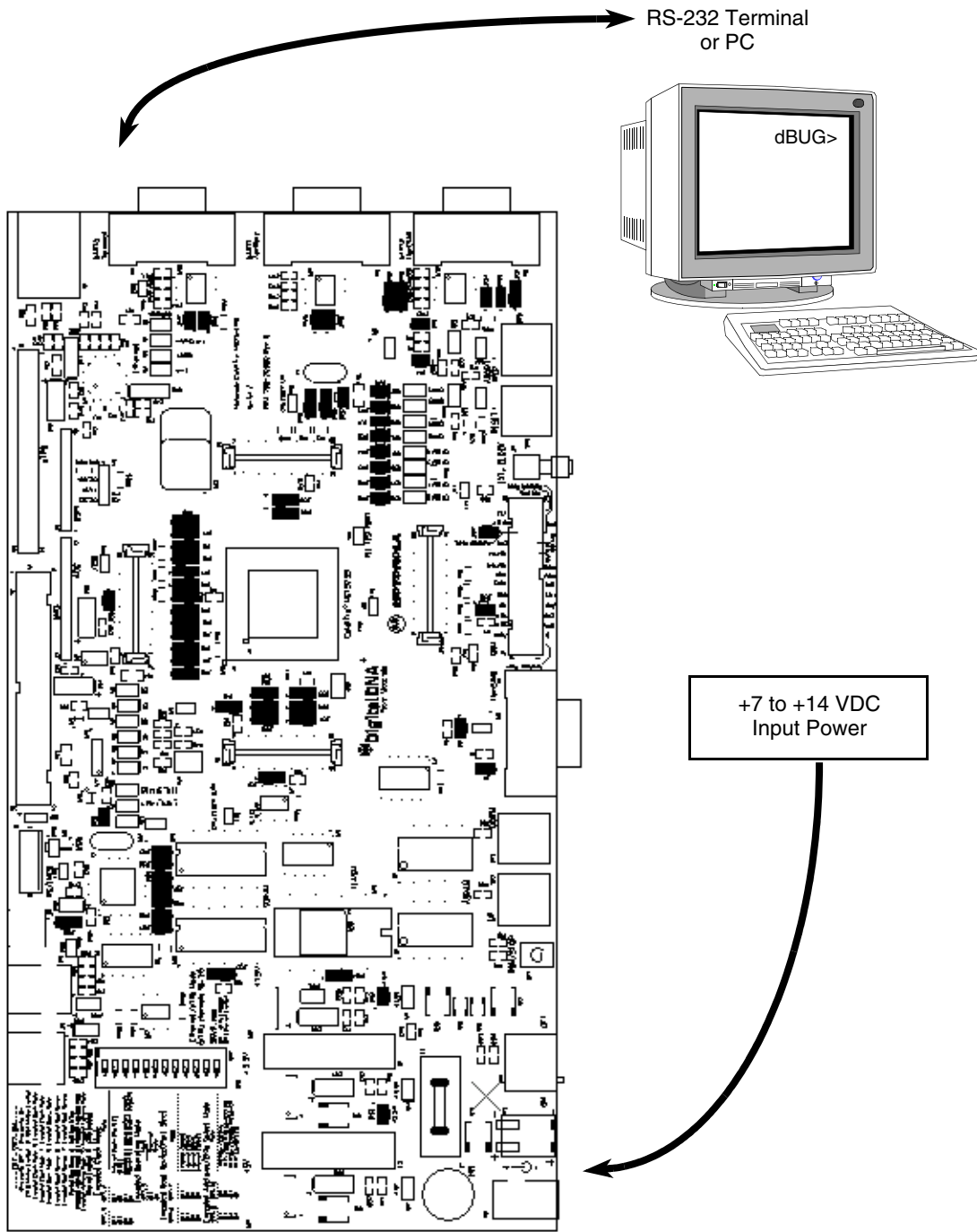


Figure 5. Minimum System Configuration

### 3.2 Installation and Setup

The following sections describe all the steps needed to prepare the board for operation. Please read the following sections carefully before using the board. When you are preparing the board for the first time,

check that all jumpers are in the default locations. Default jumper markings are documented on the master jumper table and printed on the underside of the board. After the board is functional in its default mode, the Ethernet interface may be used by following the instructions provided in [Section 5, “Configuring dBUG for Network Downloads”](#).

### 3.2.1 Unpacking

Unpack the computer board from its shipping box. Save the box for storing or reshipping. Refer to the following list and verify that all the items are present. You should have received:

- M523xEVB Single Board Computer
- *M5235EVB User's Manual* (this document)
- One RS232 communication cable
- One BDM (background debug mode) wiggler cable
- *MCF5235 Reference Manual*
- *ColdFire<sup>®</sup> Programmers Reference Manual*
- A selection of third party developer tools and literature

#### NOTE

Avoid touching the MOS devices. Static discharge can damage these devices.

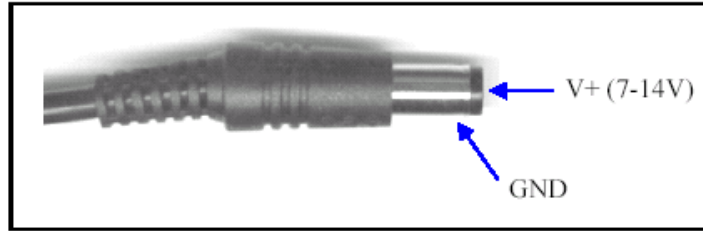
After you have verified that all the items are present, remove the board from its protective jacket and anti-static bag. Check the board for any visible damage. Ensure that there are no broken, damaged, or missing parts. If you have not received all the items listed above or they are damaged, please contact Freescale Semiconductor immediately. For contact details, please see the end of this manual.

### 3.2.2 Preparing the Board for Use

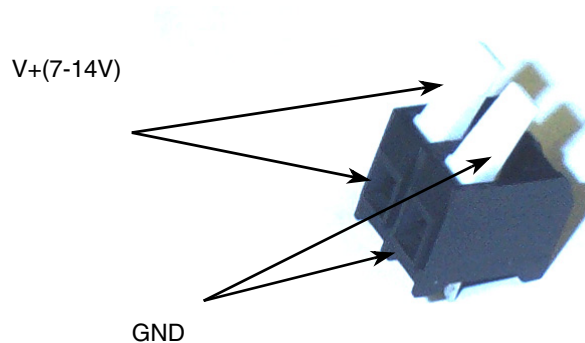
The board, as shipped, is ready to be connected to a terminal and power supply without any need for modification. [Figure 9](#) shows the position of the jumpers and connectors.

### 3.2.3 Providing Power to the Board

The EVB requires an external supply voltage of 7–14 V DC, minimum 1 Amp. This is regulated on-board using three switching voltage regulators to provide the necessary EVB voltages of 5V, 3.3V and 1.5V. There are two different power supply input connectors on the EVB: connector P2 is a 2.1mm power jack ([Figure 6](#)), P3 is a lever actuated connector ([Figure 7](#)).



**Figure 6. 2.1mm Power Connector**



**Figure 7. 2-Lever Power Connector**

### 3.2.4 Power Switch (SW4)

Slide switch SW4 isolates the power supply input from the EVB voltage regulators if required:

- Moving the slide switch to the left (towards connector P3) turns the EVB on.
- Moving the slide switch to the right (away from connector P3) turns the EVB off.

### 3.2.5 Power Status LEDs and Fuse

When power is applied to the EVB, green power LEDs adjacent to the voltage regulators show the presence of the supply voltage as follows:

**Table 25. Power LEDs**

LED	Function
D17	Indicates that the +5V regulator is working correctly
D14	Indicates that the +3.3V regulator is working correctly

If no LEDs are illuminated when the power is applied to the EVB, it is possible that power switch SW4 is in the OFF position or that the fuse F1 has blown. This can occur if power is applied to the EVB in reverse-bias where a protection diode ensures that the fuse blows rather than causing damage to the EVB. Replace F1 with a 20mm 1A fast-blow fuse.

### 3.2.6 Selecting Terminal Baud Rate

The serial channel UART0 of the MCF5235 is used for serial communication and has a built in timer. This timer is used by the dBUG ROM monitor to generate the baud rate used to communicate with a serial terminal. A number of baud rates can be programmed. On power-up or manual reset, the dBUG ROM monitor firmware configures the channel for 19200 baud. When the dBUG ROM monitor is running, a SET command may be issued to select any baud rate supported by the ROM monitor.

### 3.2.7 The Terminal Character Format

The character format of the communication channel is fixed at power-up or reset. The default character format is eight bits per character, no parity, and one stop bit with no flow control. It is necessary to ensure that the terminal or PC is set to this format.

### 3.2.8 Connecting the Terminal

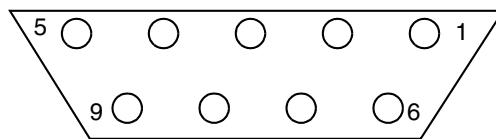
The board is now ready to be connected to a PC/terminal.

1. Use the RS-232 serial cable to connect the PC/terminal to the M523xEVB PCB. The cable has a 9-pin female D-sub terminal connector at one end and a 9-pin male D-sub connector at the other end.
2. Connect the 9-pin male connector to connector P4 on the M523xEVB board.
3. Connect the 9-pin female connector to one of the available serial communication channels normally referred to as COM1 (COM2, etc.) on the PC running terminal emulation software. The connector on the PC/terminal may be male 25-pin or 9-pin. It may be necessary to obtain a 25 pin-to-9 pin adapter to make this connection. If an adapter is required, refer to [Figure 8](#).

### 3.2.9 Using a Personal Computer as a Terminal

A personal computer may be used as a terminal provided a terminal emulation software package is available. Examples of this software are PROCOMM, KERMIT, QMODEM, Windows 95/98/2000/XP Hyper Terminal or similar packages. The board should then be connected as described in [Section 3.2.8](#), “[Connecting the Terminal](#)”.

After the connection to the PC is made, power may be applied to the PC and the terminal emulation software can be run. In terminal mode, it is necessary to select the baud rate and character format for the channel. Most terminal emulation software packages provide a command known as Alt-p (press the p key while pressing the Alt key) to choose the baud rate and character format. The character format should be 8 bits, no parity, one stop bit as described in [Section 3.2.7](#), “[The Terminal Character Format](#)”. The baud rate should be set to 19200. Power can now be applied to the board.



**Figure 8. Pin Assignment for Female (Terminal) Connector**

Pin assignments are as follows:

**Table 26. Pin Assignment for Female (Terminal) Connector**

<b>DB9 Pin</b>	<b>Function</b>
1	Data Carrier Detect, Output (shorted to pins 4 and 6)
2	Receive Data, Output from board (receive refers to terminal side)
3	Transmit Data, Input to board (transmit refers to terminal side)
4	Data Terminal Ready, Input (shorted to pin 1 and 6)
5	Signal Ground
6	Data Set Ready, Output (shorted to pins 1 and 4)
7	Request to Send, Input
8	Clear to send, Output
9	Not connected





```
Enter 'help' for help.  
dBUG>
```

The board is now ready for operation under the control of the debugger as described in [Section 4, “Using the Monitor/Debug Firmware”](#). If you do not get the above response, perform the following checks:

1. Make sure that the power supply is properly configured for polarity, voltage level, and current capability (~1A) and is connected to the board.
2. Check that the terminal and board are set for the same character format and baud.
3. Press the RESET button to insure that the board has been initialized properly.

If a proper response does not occur after these steps, your board may have been damaged. Contact Freescale Semiconductor for further instructions. Please see the end of this manual for contact details.

### 3.4 Using The BDM Port

The MCF5235 microprocessor has a built in debug module referred to as BDM (background debug module). To use BDM, simply connect the 26-pin debug connector on the board, J1, to the P&E BDM wiggler cable provided in the kit. No special setting is needed. Refer to the *MCF5235 Reference Manual* for additional instructions.

#### NOTE

BDM functionality and use is supported by third party developer software tools. Details may be found on the CD-ROM included in this kit.

## 4 Using the Monitor/Debug Firmware

The M523xEVB single board computer has a resident firmware package that provides a self-contained programming and operating environment. The firmware, named dBUG, provides you with a monitor/debug interface, inline assembler and disassembly, program download, register and memory manipulation, and I/O control functions. This section is a how-to-use description of the dBUG package, including the user interface and command structure.

### 4.1 What is dBUG?

dBUG is a traditional ROM monitor/debugger that offers a comfortable and intuitive command line interface to download and execute code. It contains all the primary features needed in a debugger to create a useful debugging environment.

The firmware provides a self-contained programming and operating environment. dBUG interacts with you through pre-defined commands that are entered via the terminal. These commands are defined in [Section 4.4, “Commands”](#).

An additional function called the system call allows your program to use various routines within dBUG. The system call is discussed at the end of this section.

The operational mode of dBUG is demonstrated in [Figure 10](#). After the system initialization, the board waits for a command-line input from the user terminal. When a proper command is entered, the operation continues in one of the two basic modes. If the command causes execution of your program, the dBUG firmware may or may not be re-entered, at the discretion of your program. For the alternate case, the command is executed under control of the dBUG firmware, and after command completion, the system returns to command entry mode.

During command execution, additional user input may be required depending on the command function.

For commands that accept an optional <width> to modify the memory access size, the valid values are:

- B 8-bit (byte) access
- W 16-bit (word) access
- L 32-bit (long) access

When no <width> option is provided, the default width is W, 16-bit.

The ColdFire core register set is maintained by dBUG. These are listed below:

- A0-A7
- D0-D7
- PC
- SR

All control registers on ColdFire are not readable by the supervisor-programming model, and thus not accessible via dBUG. Your code may change these registers, but caution must be exercised as changes may render dBUG inoperable.

A reference to SP (stack pointer) actually refers to general purpose address register seven, A7.

## 4.2 Operational Procedure

System power-up and initial operation are described in detail in [Section 3, “Initialization and Setup”](#). This information is repeated here for convenience and to prevent possible damage.

### 4.2.1 System Power-up

- Be sure the power supply is connected properly prior to power-up.
- Make sure the terminal is connected to the TERMINAL (P4) connector.
- Turn power on to the board.

Figure 10 shows the dBUG operational mode.

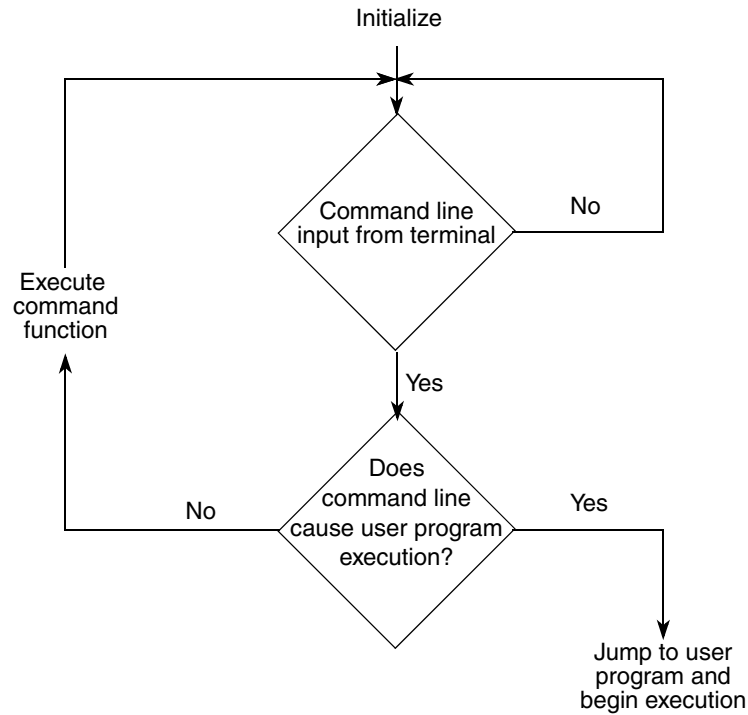


Figure 10. Flow Diagram of dBUG Operational Mode

## 4.2.2 System Initialization

After the EVB is powered-up and initialized, the terminal displays:

```
Hard Reset  
DRAM Size: 16M
```

```
ColdFire MCF5235 on the M523xEVB Firmware v3b.1a.xx (Built on xxx xx xxxx xx:xx:xx)  
Copyright 1995-2004 Freescale Semiconductor, Inc.
```

```
Enter 'help' for help.  
dBUG>
```

Other means can be used to re-initialize the M523xEVB firmware, as discussed in the following paragraphs.

### 4.2.2.1 External RESET Button

External RESET (SW6) is the red button. Depressing this button causes all processes to terminate, resets the MCF5235 processor and board logic, and restarts the dBUG firmware. Pressing the RESET button would be the appropriate action if all else fails.

### 4.2.2.2 ABORT Button

ABORT (SW5) is the button located next to the RESET button. The abort function causes an interrupt of the present processing (a level 7 interrupt on MCF5235) and gives control to the dBUG firmware. This action differs from RESET in that no processor register or memory contents are changed, the processor and peripherals are not reset, and dBUG is not restarted. Also, in response to depressing the ABORT button, the contents of the MCF5235 core internal registers are displayed.

The abort function is most appropriate when software is being debugged. You can interrupt the processor without destroying the present state of the system. This is accomplished by forcing a non-maskable interrupt that calls a dBUG routine that saves the current state of the registers to shadow registers in the monitor for display. You are returned to the ROM monitor prompt after exception handling.

### 4.2.2.3 Software Reset Command

dBUG does have a command that causes the dBUG to restart as if a hardware reset was invoked. The command is RESET.

## 4.3 Command Line Usage

The user interface to dBUG is the command line. A number of features have been implemented to achieve an easy and intuitive command line interface.

dBUG assumes that an 80x24 ASCII character dumb-terminal is used to connect to the debugger. For serial communications, dBUG requires eight data bits, no parity, and one stop bit (8-N-1). The baud rate default is 19200 bps — a speed commonly available from workstations, personal computers and dedicated terminals.

The command line prompt is: dBUG>

Any dBUG command may be entered from this prompt. dBUG does not allow command lines to exceed 80 characters. Wherever possible, dBUG displays data in 80 columns or less. dBUG echoes each character as it is typed, eliminating the need for any local echo on the terminal side.

The <Backspace> and <Delete> keys are recognized as rub-out keys for correcting typographical mistakes.

Command lines may be recalled using the <Control> U, <Control> D and <Control> R key sequences. <Control> U and <Control> D cycle up and down through previous command lines. <Control> R recalls and executes the last command line.

In general, dBUG is not case-sensitive. Commands may be entered in uppercase or lowercase, depending upon your equipment and preference. Only symbol names require that the exact case be used.

Most commands can be recognized by using an abbreviated name. For instance, entering h is the same as entering help. Thus it is not necessary to type the entire command name.

The commands DI, GO, MD, STEP and TRACE are used repeatedly when debugging. dBUG recognizes this and allows for repeated execution of these commands with minimal typing. After a command is

entered, press the <Return> or <Enter> key to invoke the command again. The command is executed as if no command line parameters were provided.

## 4.4 Commands

This section lists the commands that are available with all versions of dBUG. Some board or CPU combinations may use additional commands not listed below.

**Table 27. dBUG Command Summary**

Mnemonic	Syntax	Description
ASM	asm <<addr> stmt>	Assemble
BC	bc addr1 addr2 length	Block Compare
BF	bf <width> begin end data <inc>	Block Fill
BM	bm begin end dest	Block Move
BR	br addr <-r> <-c count> <-t trigger>	Breakpoint
BS	bs <width> begin end data	Block Search
DC	dc value	Data Convert
DI	di<addr>	Disassemble
DL	dl <offset>	Download Serial
DLDEBUG	dldbug	Download dBUG
DN	dn <-c> <-e> <-i> <-s <-o offset>> <filename>	Download Network
FL	fl erase addr bytes fl write dest src bytes	Flash Utilities
GO	go <addr>	Execute
GT	gt addr	Execute To
HELP	help <command>	Help
IRD	ird <module.register>	Internal Register Display
IRM	irm module.register data	Internal Register Modify
LR	lr<width> addr	Loop Read
LW	lw<width> addr data	Loop Write
MD	md<width> <begin> <end>	Memory Display
MM	mm<width> addr <data>	Memory Modify
MMAP	mmap	Memory Map Display
RD	rd <reg>	Register Display
RM	rm reg data	Register Modify
RESET	reset	Reset
SD	sd	Stack Dump

**Table 27. dBUG Command Summary (continued)**

<b>Mnemonic</b>	<b>Syntax</b>	<b>Description</b>
ASM	asm <<addr> stmt>	Assemble
BC	bc addr1 addr2 length	Block Compare
BF	bf <width> begin end data <inc>	Block Fill
SET	set <option value>	Set Configurations
SHOW	show <option>	Show Configurations
STEP	step	Step (Over)
SYMBOL	symbol <symp> <-a symp value> <-r symp> -Clls>	Symbol Management
TRACE	trace <num>	Trace (Into)
UP	up begin end filename	Upload Memory to File
VERSION	version	Show Version

# ASM

# Assembler

Usage: ASM <<addr> stmt>

The ASM command is a primitive assembler. The <stmt> is assembled and the resulting code placed at <addr>. This command has an interactive and non-interactive mode of operation.

The value for address <addr> may be an absolute address specified as a hexadecimal value, or a symbol name. The value for stmt must be valid assembler mnemonics for the CPU.

For interactive mode, enter the command and the optional <addr>. If the address is not specified, then the last address is used. The memory contents at the address are disassembled, and you are prompted for the new assembly. If valid, the new assembly is placed into memory, and the address incremented accordingly. If the assembly is not valid, then memory is not modified, and an error message produced. In either case, memory is disassembled and the process repeats.

You may press the <Enter> or <Return> key to accept the current memory contents and skip to the next instruction, or enter a period to quit the interactive mode.

In the non-interactive mode, specify the address and the assembly statement on the command line. The statement is then assembled, and if valid, placed into memory. Otherwise, an error message is produced.

Examples:

To place a NOP instruction at address 0x0001\_0000, the command is:

```
asm      10000 nop
```

To interactively assemble memory at address 0x0040\_0000, the command is:

```
asm      400000
```

## BC

## Block Compare

Usage: BC addr1 addr2 length

The BC command compares two contiguous blocks of memory on a byte-by-byte basis. The first block starts at address addr1 and the second starts at address addr2, both of length bytes.

If the blocks are not identical, the address of the first mismatch is displayed. The value for addresses addr1 and addr2 may be an absolute address specified as a hexadecimal value or a symbol name. The value for length may be a symbol name or a number converted according to the user-defined radix (hexadecimal by default).

Example:

To verify that the data starting at 0x2\_0000 and ending at 0x3\_0000 is identical to the data starting at 0x8\_0000, the command is:

```
bc 20000 80000 10000
```



## BF

## Block Fill

Usage: BF<width> begin end data <inc>

The BF command fills a contiguous block of memory starting at address begin, stopping at address end, with the value data. <Width> modifies the size of the data that is written. If no <width> is specified, the default of word-sized data is used.

The value for addresses begin and end may be an absolute address specified as a hexadecimal value, or a symbol name. The value for data may be a symbol name, or a number converted according to the user-defined radix, normally hexadecimal.

The optional value <inc> can be used to increment (or decrement) the data value during the fill.

This command first aligns the starting address for the data access size, and then increments the address accordingly during the operation. Thus, for the duration of the operation, this command performs properly-aligned memory accesses.

Examples:

To fill a memory block starting at 0x0002\_0000 and ending at 0x0004\_0000 with the value 0x1234, the command is:

```
bf      20000 40000 1234
```

To fill a block of memory starting at 0x0002\_0000 and ending at 0x0004\_0000 with a byte value of 0xAB, the command is:

```
bf.b    20000 40000 AB
```

To zero out the BSS section of the target code (defined by the symbols bss\_start and bss\_end), the command is:

```
bf      bss_start bss_end 0
```

To fill a block of memory starting at 0x0002\_0000 and ending at 0x0004\_0000 with data that increments by 2 for each <width>, the command is:

```
bf      20000 40000 0 2
```

## BM

## Block Move

Usage: BM begin end dest

The BM command moves a contiguous block of memory starting at address begin and stopping at address end to the new address dest. The command copies memory as a series of bytes, and does not alter the original block.

The values for addresses begin, end, and dest may be absolute addresses specified as hexadecimal values, or symbol names. If the destination address overlaps the block defined by begin and end, an error message is produced and the command exits.

Examples:

To copy a block of memory starting at 0x0004\_0000 and ending at 0x0008\_0000 to the location 0x0020\_0000, the command is:

```
bm 40000 80000 200000
```

To copy the target code's data section (defined by the symbols data\_start and data\_end) to 0x0020\_0000, the command is:

```
bm data_start data_end 200000
```

### NOTE

Refer to the upuser command for copying code/data into flash memory.

## BR

## Breakpoints

Usage: `BR addr <-r> <-c count> <-t trigger>`

The BR command inserts or removes breakpoints at address `addr`. The value for `addr` may be an absolute address specified as a hexadecimal value, or a symbol name. Count and trigger are numbers converted according to the user-defined radix, normally hexadecimal.

If no argument is provided to the BR command, a listing of all defined breakpoints is displayed.

The `-r` option to the BR command removes a breakpoint defined at address `addr`. If no address is specified in conjunction with the `-r` option, then all breakpoints are removed.

Each time a breakpoint is encountered during the execution of target code, its count value is incremented by one. By default, the initial count value for a breakpoint is zero, but the `-c` option allows setting the initial count for the breakpoint.

Each time a breakpoint is encountered during the execution of target code, the count value is compared against the trigger value. If the count value is equal to or greater than the trigger value, a breakpoint is encountered and control returned to dBUG. By default, the initial trigger value for a breakpoint is one, but the `-t` option allows setting the initial trigger for the breakpoint.

If no address is specified in conjunction with the `-c` or `-t` options, then all breakpoints are initialized to the values specified by the `-c` or `-t` option.

Examples:

To set a breakpoint at the C function `main()` (symbol `_main`; see `symbol` command), the command is:

```
br      _main
```

When the target code is executed and the processor reaches `main()`, control is returned to dBUG.

To set a breakpoint at the C function `bench()` and set its trigger value to 3, the command is:

```
br      _bench -t 3
```

When the target code is executed, the processor must attempt to execute the function `bench()` a third time before returning control back to dBUG.

To remove all breakpoints, the command is:

```
br      -r
```

## BS

## Block Search

Usage: BS<width> begin end data

The BS command searches a contiguous block of memory starting at address begin, stopping at address end, for the value data. <Width> modifies the size of the data that is compared during the search. If no <width> is specified, the default of word sized data is used.

The values for addresses begin and end may be absolute addresses specified as hexadecimal values, or symbol names. The value for data may be a symbol name or a number converted according to the user-defined radix, normally hexadecimal.

This command first aligns the starting address for the data access size, and then increments the address accordingly during the operation. Thus, for the duration of the operation, this command performs properly-aligned memory accesses.

Examples:

To search for the 16-bit value 0x1234 in the memory block starting at 0x0004\_0000 and ending at 0x0008\_0000:

```
bs      40000 80000 1234
```

This reads the 16-bit word located at 0x0004\_0000 and compares it against the 16-bit value 0x1234. If no match is found, then the address is incremented to 0x0004\_0002 and the next 16-bit value is read and compared.

To search for the 32-bit value 0xABCD in the memory block starting at 0x0004\_0000 and ending at 0x0008\_0000:

```
bs.l   40000 80000 ABCD
```

This reads the 32-bit word located at 0x0004\_0000 and compares it against the 32-bit value 0x0000\_ABCD. If no match is found, then the address is incremented to 0x0004\_0004 and the next 32-bit value is read and compared.

## DC

Usage:                   DC data

## Data Conversion

The DC command displays the hexadecimal or decimal value data in hexadecimal, binary, and decimal notation.

The value for data may be a symbol name or an absolute value. If an absolute value passed into the DC command is prefixed by 0x, data is interpreted as a hexadecimal value. Otherwise data is interpreted as a decimal value.

All values are treated as 32-bit quantities.

Examples:

To display the decimal and binary equivalent of 0x1234, the command is:

```
dc           0x1234
```

To display the hexadecimal and binary equivalent of 1234, the command is:

```
dc           1234
```

## DI

## Disassemble

Usage: `DI <addr>`

The DI command disassembles target code pointed to by `addr`. The value for `addr` may be an absolute address specified as a hexadecimal value, or a symbol name.

Wherever possible, the disassembler uses information from the symbol table to produce a more meaningful disassembly. This is especially useful for branch target addresses and subroutine calls.

The DI command attempts to track the address of the last disassembled opcode. If no address is provided to the DI command, then the DI command uses the address of the last opcode that was disassembled.

The DI command is repeatable.

Examples:

To disassemble code that starts at `0x0004_0000`, the command is:

```
di      40000
```

To disassemble code of the C function `main()`, the command is:

```
di      _main
```

## DL

## Download Console

Usage: DL <offset>

The DL command performs an S-record download of data obtained from the console, typically a serial port. The value for offset is converted according to the user-defined radix, normally hexadecimal. Please reference the *ColdFire Microprocessor Family Programmer's Reference Manual* for details on the S-Record format.

If offset is provided, then the destination address of each S-record is adjusted by offset.

The DL command checks the destination download address for validity. If the destination is an address outside the defined user space, then an error message is displayed and downloading aborted.

If the S-record file contains the entry point address, then the program counter is set to reflect this address.

Examples:

To download an S-record file through the serial port, the command is:

```
d1
```

To download an S-record file through the serial port, and add an offset to the destination address of 0x40, the command is:

```
d1      0x40
```

## DLDEBUG

Usage: DL <offset>

The DLDEBUG command is used to update the dBUG image in flash. It erases the flash sectors containing the dBUG image, downloads a new dBUG image in S-record format obtained from the console, and programs the new dBUG image into flash.

When the DLDEBUG command is issued, dBUG prompts you for verification before any actions are taken. If the command is affirmed, the flash is erased and you are prompted to begin sending the new dBUG S-record file. The file should be sent as a text file with no special transfer protocol.

### CAUTION

Use this command with extreme caution, as any error can render dBUG useless!

## Download dBUG



## DN

## Download Network

Usage: DN <-c> <-e> <-i> <-s> <-o offset> <filename>

The DN command downloads code from the network. The DN command manages files that are S-record, COFF, ELF or image formats. The DN command uses trivial file transfer protocol (TFTP) to transfer files from a network host.

In general, the type of file to be downloaded and the name of the file must be specified to the DN command.

- -c option indicates a COFF download
- -e option indicates an ELF download
- -i option indicates an image download
- -s indicates an S-record download
- -o option works only in conjunction with the -s option to indicate an optional offset for S-record download.

The filename is passed directly to the TFTP server and therefore must be a valid filename on the server.

If neither of the -c, -e, -i, -s or filename options are specified, then a default filename and filetype is used. Default filename and filetype parameters are manipulated using the SET and SHOW commands.

The DN command checks the destination download address for validity. If the destination is an address outside the defined user space, then an error message is displayed and downloading aborted.

For ELF and COFF files that contain symbolic debug information, the symbol tables are extracted from the file during download and used by dBUG. Only global symbols are kept in dBUG. The dBUG symbol table is not cleared prior to downloading. So, it is your responsibility to clear the symbol table as necessary prior to downloading.

If an entry point address is specified in the S-record, COFF or ELF file, the program counter is set accordingly.

Examples:

To download an S-record file with the name srec.out, the command is:

```
dn -s srec.out
```

To download a COFF file with the name coff.out, the command is:

```
dn -c coff.out
```

To download a file using the default filetype with the name bench.out, the command is:

```
dn bench.out
```

To download a file using the default filename and filetype, the command is:

```
dn
```

## FL

Info Usage: FL  
Erase Usage: FL erase addr bytes  
Write Usage: FL write dest src bytes

## Flash Utilities

The FL command provides a set of flash utilities that displays information about the flash devices on the EVB, erases a specified range of flash, or erases and programs a specified range of flash.

When issued with no parameters, the FL command displays usage information, as well as device specific information for the flash devices available. This information includes size, address range, protected range, access size, and sector boundaries.

When the erase command is given, the FL command attempts to erase the number of bytes specified on the command line beginning at addr. If this range doesn't start and end on flash sector boundaries, the range is adjusted automatically and you are prompted for verification before proceeding.

When the write command is given, the FL command programs the number of bytes specified from src to dest. An erase of this region is first attempted. As with the erase command, if the flash range to be programmed does not start and end on flash sector boundaries, the range is adjusted and you are prompted for verification before the erase is performed. The specified range is also checked to insure that the entire destination range is valid within the same flash device and that the src and dest are not within the same device.

## GO

## Execute

Usage: GO <addr>

The GO command executes target code starting at address addr. The value for addr may be an absolute address specified as a hexadecimal value, or a symbol name.

If no argument is provided, the GO command begins executing instructions at the current program counter.

When the GO command is executed, all user-defined breakpoints are inserted into the target code, and the context is switched to the target program. Control is only regained when the target code encounters a breakpoint, illegal instruction, trap #15 exception, or other exception that causes control to be handed back to dBUG.

The GO command is repeatable.

Examples:

To execute code at the current program counter, the command is:

```
go
```

To execute code at the C function main(), the command is:

```
go _main
```

To execute code at the address 0x0004\_0000, the command is:

```
go 40000
```

## GT

## Execute To

Usage: GT addr

The GT command inserts a temporary breakpoint at addr and then executes target code starting at the current program counter. The value for addr may be an absolute address specified as a hexadecimal value, or a symbol name.

When the GT command is executed, all breakpoints are inserted into the target code, and the context is switched to the target program. Control is only regained when the target code encounters a breakpoint, illegal instruction, or other exception that causes control to be handed back to dBUG.

Examples:

To execute code up to the C function bench(), the command is:

```
gt _bench
```

# HELP

# Help

Usage:                   HELP <command>

The HELP command displays a brief syntax of the commands available within dBUG. In addition, the address of where your code may start is given. If command is provided, then a brief listing of the syntax of the specified command is displayed.

Examples:

To obtain a listing of all the commands available within dBUG, the command is:

```
help
```

To obtain help on the breakpoint command, the command is:

```
help br
```

## IRD

## Internal Register Display

Usage: IRD <module.register>

This command displays the internal registers of different modules inside the MCF5235. In the command line, module refers to the module name where the register is located and register refers to the specific register to display.

The registers are organized according to the module to which they belong. Use the IRD command without any parameters to get a list of all the valid modules. Refer to the *MCF5235 Reference Manual* for more information on these modules and the registers they contain.

Example:

```
ird    sim.rsr
```

## IRM

## Internal Register Modify

Usage: IRM module.register data

This command modifies the contents of the internal registers of different modules inside the MCF5235. In the command line, module refers to the module name where the register is located and register refers to the specific register to modify. The data parameter specifies the new value to be written into the register.

Example:

To modify the TMR register of the first timer module to the value 0x0021, the command is:

```
irm timer1.tmr 0021
```

## LR

Usage: LR<width> addr

## Loop Read

The LR command continually reads the data at addr until a key is pressed. The optional <width> specifies the size of the data to be read. If no <width> is specified, the command defaults to reading word-sized data.

Example:

To continually read the longword data from address 0x2\_0000, the command is:

```
lr.l 20000
```



# LW

# Loop Write

Usage: LW<width> addr data

The LW command continually writes data to addr. The optional width specifies the size of the access to memory. The default access size is word.

Examples:

To continually write the longword data 0x1234\_5678 to address 0x2\_0000, the command is:

```
lw.l 20000 12345678
```

The following command writes 0x78 into memory:

```
lw.b 20000 12345678
```

## MD

## Memory Display

Usage: MD<width> <begin> <end>

The MD command displays a contiguous block of memory starting at address begin and stopping at address end. The values for addresses begin and end may be absolute addresses specified as hexadecimal values, or symbol names. Width modifies the size of the data that is displayed. If no <width> is specified, the default of word-sized data is used.

Memory display starts at the address begin. If no beginning address is provided, the MD command uses the last address that was displayed. If no ending address is provided, then MD displays memory up to an address that is 128 beyond the starting address.

This command first aligns the starting address for the data access size, and then increments the address accordingly during the operation. Thus, for the duration of the operation, this command performs properly-aligned memory accesses.

Examples:

To display memory at address 0x0040\_0000, the command is:

```
md 400000
```

To display memory in the data section (defined by the symbols data\_start and data\_end), the command is:

```
md data_start
```

To display a range of bytes from 0x0004\_0000 to 0x0005\_0000, the command is:

```
md.b 40000 50000
```

To display a range of 32-bit values starting at 0x0004\_0000 and ending at 0x0005\_0000:

```
md.l 40000 50000
```

## MM

## Memory Modify

Usage: MM<width> addr <data>

The MM command modifies memory at the address addr. The value for addr may be an absolute address specified as a hexadecimal value, or a symbol name. Width specifies the size of the data that is modified. If no <width> is specified, the default of word sized data is used. The value for data may be a symbol name, or a number converted according to the user-defined radix, normally hexadecimal.

If a value for data is provided, then the MM command immediately sets the contents of addr to data. If no value for data is provided, then the MM command enters into a loop. The loop obtains a value for data, sets the contents of the current address to data, increments the address according to the data size, and repeats. The loop terminates when an invalid entry for the data value is entered, i.e., a period.

This command first aligns the starting address for the data access size, and then increments the address accordingly during the operation. Thus, for the duration of the operation, this command performs properly-aligned memory accesses.

Examples:

To set the byte at location 0x0001\_0000 to be 0xFF, the command is:

```
mm.b      1000 FF
```

To interactively modify memory beginning at 0x0001\_0000, the command is:

```
mm        10000
```

# MMAP

# Memory Map Display

Usage: `mmap`

This command displays the memory map information for the M523xEVB evaluation board. The information displayed includes the type of memory, the start and end address of the memory, and the port size of the memory. The display also includes information on how the chip selects are used on the board and which regions of memory are reserved (protected) for dBUG use.

Here is an example of the output from this command:

Type	Start	End	Port Size
SDRAM	0x00000000	0x00FFFFFF	32-bit
SRAM (Int)	0x20000000	0x2000FFFF	32-bit
MRAM (Ext)	0x30000000	0x3007FFFF	32-bit
IPSBAR	0x40000000	0x7FFFFFFF	32-bit
Flash (Ext)	0xFFE00000	0xFFFFFFFF	16-bit

Protected	Start	End
dBUG Code	0xFFE00000	0xFFE3FFFF
dBUG Data	0x00000000	0x0000FFFF

Chip Selects

-----

CS0 Ext Flash  
CS1 Ext MRAM

## RD

## Register Display

Usage: RD <reg>

The RD command displays the register set of the target. If no argument for reg is provided, then all registers are displayed. Otherwise, the value for reg is displayed.

dBUG preserves the registers by storing a copy of the register set in a buffer. The RD command displays register values from the register buffer.

Examples:

To display all the registers and their values, the command is:

```
rd
```

To display only the program counter:

```
rd pc
```

Here is an example of the output from this command:

```
PC: 00000000 SR: 2000 [t.Sm.000...xnzvc]
An: 00000000 00000000 00000000 00000000 00000000 00000000 00000000 01000000
Dn: 00000000 00000000 00000000 00000000 00000000 00000000 00000000 00000000
```

## RM

## Register Modify

Usage:                   RM reg data

The RM command modifies the contents of the register reg to data. The value for reg is the name of the register, and the value for data may be a symbol name, or it is converted according to the user-defined radix, normally hexadecimal.

dBUG preserves the registers by storing a copy of the register set in a buffer. The RM command updates the copy of the register in the buffer. The actual value is not written to the register until target code is executed.

Examples:

To change register D0 to contain the value 0x1234, the command is:

```
rm           D0 1234
```

# RESET

## Reset the Board and dBUG

Usage:                   RESET

The RESET command resets the board and dBUG to their initial power-on states.

The RESET command executes the same sequence of code that occurs at power-on. If the RESET command fails to reset the board adequately, cycle the power or press the reset button.

Examples:

To reset the board and clear the dBUG data structures, the command is:

```
reset
```

## **SD**

Usage:

SD

## **Stack Dump**

The SD command displays a back trace of stack frames. This command is useful after some user code has executed that creates stack frames (i.e., nested function calls). After control is returned to dBUG, the SD command decodes the stack frames and display a trace of the function calls.



# SET

## Set Configurations

Usage: SET <option value>

The SET command allows the setting of user-configurable options within dBUG. With no arguments, SET displays the options and values available. The SHOW command displays the settings in the appropriate format. The standard set of options is listed below.

- **baud**—This is the baud rate for the first serial port on the board. All communications between you and dBUG occur using 9600 or 19200 bps, eight data bits, no parity, and one stop bit (8-N-1) with no flow control.
- **base**—This is the default radix for use in converting a number from its ASCII text representation to the internal quantity used by dBUG. The default is hexadecimal (base 16), and other choices are binary (base 2), octal (base 8), and decimal (base 10).
- **client**—This is the network Internet Protocol (IP) address of the board. For network communications, the client IP is required to be set to a unique value, usually assigned by your local network administrator.
- **server**—This is the network IP address of the machine that contains files accessible via TFTP. Your local network administrator has this information and can assist in properly configuring a TFTP server if one does not exist.
- **gateway**—This is the network IP address of the gateway for your local subnetwork. If the client IP address and server IP address are not on the same subnetwork, then this option must be properly set. Your local network administrator has this information.
- **netmask**—This is the network address mask to determine if use of a gateway is required. This field must be properly set. Your local network administrator has this information.
- **filename**—This is the default filename to be used for network download if no name is provided to the DN command.
- **filetype**—This is the default filetype to be used for network download if no type is provided to the DN command. Valid values are: srecord, coff, and elf.
- **mac**—This is the ethernet Media Access Control (MAC) address (hardware address) for the evaluation board. This should be set to a unique value, and the most significant nibble should always be even.

Examples: To set the baud rate of the board to be 19200, the command is:

```
set      baud 19200
```

### NOTE

See the SHOW command for a display containing the correct formatting of these options.

# SHOW

## Show Configurations

Usage:                   SHOW <option>

The SHOW command displays the settings of the user-configurable options within dBUG. When no option is provided, SHOW displays all options and values.

Examples:

To display all options and settings, the command is:

```
show
```

To display the current baud rate of the board, the command is:

```
show     baud
```

Here is an example of the output from a show command:

```
dBUG> show
base: 16
baud: 19200
server: 0.0.0.0
client: 0.0.0.0
gateway: 0.0.0.0
netmask: 255.255.255.0
filename: test.s19
filetype: S-Record
ethaddr: 00:CF:52:82:CF:01
```

## STEP

Usage:

STEP

## Step Over

The STEP command steps over a subroutine call, rather than tracing every instruction in the subroutine. The command sets a temporary breakpoint one instruction beyond the current program counter and then executes the target code.

The STEP command steps over BSR and JSR instructions. The command works for other instructions as well, but if STEP is used with an instruction that does not return (i.e. BRA) then the temporary breakpoint may never be encountered and dBUG may never regain control.

Examples:

To pass over a subroutine call, the command is:

```
step
```

# SYMBOL

# Symbol Name Management

Usage: SYMBOL <symb> <-a symb value> <-r symb> <-c||s>

The SYMBOL command adds or removes symbol names from the symbol table. If only a symbol name is provided to the SYMBOL command, then the symbol table is searched for a match on the symbol name and its information displayed.

- -a option adds a symbol name and its value into the symbol table
- -r option removes a symbol name from the table
- -c option clears the entire symbol table
- -l option lists the contents of the symbol table
- -s option displays usage information for the symbol table

Symbol names contained in the symbol table are truncated to 31 characters. Any symbol table lookups, by the SYMBOL command or by the disassembler, only use the first 31 characters. Symbol names are case-sensitive.

Symbols can also be added to the symbol table via inline assembly labels and ethernet downloads of ELF formatted files.

Examples:

To define the symbol main to have the value 0x0004\_0000, the command is:

```
symbol          -a main 40000
```

To remove the symbol junk from the table, the command is:

```
symbol          -r junk
```

To see how full the symbol table is, the command is:

```
symbol          -s
```

To display the symbol table, the command is:

```
symbol          -l
```

# TRACE

## Trace Into

Usage: TRACE <num>

The TRACE command allows single-instruction execution. If num is provided, then num instructions are executed before control is handed back to dBUG. The value for num is a decimal number.

The TRACE command sets bits in the processors' supervisor registers to achieve single-instruction execution, and the target code executed. Control returns to dBUG after a single-instruction execution of the target code.

This command is repeatable.

Examples:

To trace one instruction at the program counter, the command is:

```
tr
```

To trace 20 instructions from the program counter, the command is:

```
tr 20
```

## UP

## Upload Data

Usage: UP begin end filename

The UP command uploads the data from a memory region (specified by begin and end) to a file (specified by filename) over the network. The file created contains the raw binary data from the specified memory region. The UP command uses the trivial file transfer protocol (TFTP) to transfer files to a network host.

Example:

To upload a portion of SDRAM to a file `sdram.bin`, the command is:

```
up 40000 50000 sdram.bin
```

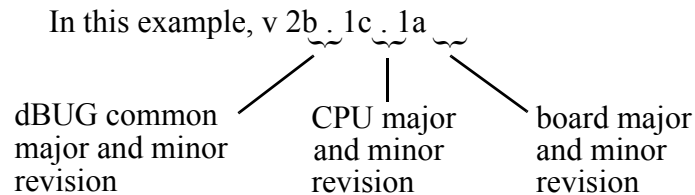
## VERSION

## Display dBUG Version

Usage:                   VERSION

The VERSION command displays the version information for dBUG. The dBUG version, build number and build date are all given.

The version number is separated by a decimal, for example, v 2b.1c.1a:



The version date is the day and time the entire dBUG monitor was compiled and built.

Examples:

To display the version of the dBUG monitor, the command is:

```
version
```

### 4.5 TRAP #15 Functions

An additional utility within the dBUG firmware is a function called the TRAP 15 handler. This function can be called by your program to use various routines within the dBUG, to perform a special task, and to return control to the dBUG. This section describes the TRAP 15 handler and how it is used.

There are four TRAP #15 functions. These are: OUT\_CHAR, IN\_CHAR, CHAR\_PRESENT, and EXIT\_TO\_dBUG.

#### 4.5.1 OUT\_CHAR

This function (function code 0x0013) sends a character, which is in the lower eight bits of D1, to the terminal.

Assembly example:

```
/* assume d1 contains the character */
move.l      #$0013,d0      Selects the function
TRAP       #15             The character in d1 is sent to terminal
```

C example:

```
void board_out_char (int ch)
{
    /* If your C compiler produces a LINK/UNLK pair for this routine,
     * then use the following code that takes this into account
     */
    #if 1
        /* LINK a6,#0 -- produced by C compiler */
        asm (" move.l8(a6),d1");          /* put 'ch' into d1 */
    #endif
}
```

```

asm (" move.l#0x0013,d0");          /* select the function */
asm (" trap#15");                  /* make the call */
/* UNLK a6 -- produced by C compiler */
#else
/* If C compiler does not produce a LINK/UNLK pair, the use
 * the following code.
 */
asm (" move.l4(sp),d1");           /* put 'ch' into d1 */
asm (" move.l#0x0013,d0");         /* select the function */
asm (" trap#15");                  /* make the call */
#endif
}

```

## 4.5.2 IN\_CHAR

This function (function code 0x0010) returns an input character (from terminal) to the caller. The returned character is in D1.

Assembly example:

```

move.l  #0010,d0      Select the function
trap    #15           Make the call, the input character is in d1.

```

C example:

```

int board_in_char (void)
{
    asm (" move.l#0x0010,d0");          /* select the function */
    asm (" trap#15");                  /* make the call */
    asm (" move.l d1,d0");              /* put the character in d0 */
}

```

## 4.5.3 CHAR\_PRESENT

This function (function code 0x0014) checks if an input character is present to receive. A value of zero is returned in D0 when no character is present. A non-zero value in D0 means a character is present.

Assembly example:

```

move.l  #0014,d0      Select the function
trap    #15           Make the call, d0 contains the response (yes/no).

```

C example:

```

int board_char_present (void)
{
    asm (" move.l#0x0014,d0");          /* select the function */
    asm (" trap#15");                  /* make the call */
}

```

## 4.5.4 EXIT\_TO\_dBUG

This function (function code 0x0000) transfers the control back to the dBUG, by terminating your code. The register context are preserved.



Assembly example:

```
move.l    #$0000,d0      Select the function
trap     #15             Make the call, exit to dBUG.
```

C example:

```
void board_exit_to_dbug (void)
{
    asm (" move.l#0x0000,d0");      /* select the function */
    asm (" trap#15");              /* exit and transfer to dBUG */
}
```

## 5 Configuring dBUG for Network Downloads

The dBUG module has the ability to perform downloads over an Ethernet network using the trivial file transfer protocol, TFTP.

### NOTE

This requires a TFTP server to be running on the host attached to the board.

Prior to using this feature, several parameters are required for network downloads to occur. The information that is required and the steps for configuring dBUG are described below.

### 5.1 Required Network Parameters

For performing network downloads, dBUG needs six parameters; four are network-related, and two are download-related. The parameters are listed below, with the dBUG designation following in parenthesis.

All computers connected to an Ethernet network running the IP protocol need three network-specific parameters. These parameters are:

- Internet Protocol (IP) address for the computer (client IP)
- IP address of the gateway for non-local traffic (gateway IP)
- Network netmask for flagging traffic as local or non-local (netmask)

In addition, the dBUG network download command requires the following three parameters:

- IP address of the TFTP server (server IP),
- Name of the file to download (filename),
- Type of the file to download (filetype of S-record, COFF, ELF, or Image).

Your local system administrator can assign a unique IP address for the board, and also provide you the IP addresses of the gateway, netmask, and TFTP server. Fill out the lines below with this information.

```
Client IP:      ___ . ___ . ___ . ___      (IP address of the board)
Server IP:     ___ . ___ . ___ . ___      (IP address of the TFTP server)
Gateway:       ___ . ___ . ___ . ___      (IP address of the gateway)
Netmask:       ___ . ___ . ___ . ___      (Network netmask)
```

## 5.2 Configuring dBUG Network Parameters

After the network parameters have been obtained, the dBUG ROM monitor must be configured. The following commands are used to configure the network parameters.

```
set client <client IP>
set server <server IP>
set gateway <gateway IP>
set netmask <netmask>
set mac <addr>
```

For example, the TFTP server is named `santafe` and has IP address 123.45.67.1. The board is assigned the IP address of 123.45.68.15. The gateway IP address is 123.45.68.250, and the netmask is 255.255.255.0. The MAC address is chosen arbitrarily and is unique. The commands to dBUG are:

```
set client 123.45.68.15
set server 123.45.67.1
set gateway 123.45.68.250
set netmask 255.255.255.0
set mac 00:CF:52:82:EB:01
```

The last step is to inform dBUG of the name and type of the file to download. Prior to giving the name of the file, keep in mind the following.

Most, if not all, TFTP servers only allow access to files starting at a particular sub-directory. (This is a security feature that prevents reading of arbitrary files by unknown persons.) For example, SunOS uses the directory `/tftp_boot` as the default TFTP directory. When specifying a filename to a SunOS TFTP server, all filenames are relative to `/tftp_boot`. As a result, you normally are required to copy the file to download into the directory used by the TFTP server.

A default filename for network downloads is maintained by dBUG. To change the default filename, use the command:

```
set filename <filename>
```

When using the Ethernet network for download, S-record, COFF, ELF, or image files may be downloaded. A default filetype for network downloads is maintained by dBUG as well. To change the default filetype, use the command:

```
set filetype <srecord|coff|elf|image>
```

Continuing with the above example, the compiler produces an executable COFF file, `a.out`. This file is copied to the `/tftp_boot` directory on the server with the command:

```
rcp a.out santafe:/tftp_boot/a.out
```

Change the default filename and filetype with the commands:

```
set filename a.out
set filetype coff
```

Finally, perform the network download with the DN command. The network download process uses the configured IP addresses and the default filename and filetype for initiating a TFTP download from the TFTP server.

## 5.3 Troubleshooting Network Problems

Most problems related to network downloads are a direct result of improper configuration. Verify that all IP addresses configured into dBUG are correct. This is accomplished via the SHOW command.

- Using an IP address already assigned to another machine causes dBUG network download to fail, and probably other severe network problems. Make certain the client IP address is unique for the board.
- Check for proper insertion or connection of the network cable. Is the status LED lit indicating that network traffic is present?
- Check for proper configuration and operation of the TFTP server. Most Unix workstations can execute a command named tftp that can be used to connect to the TFTP server as well. Is the default TFTP root directory present and readable?
- If ICMP\_DESTINATION\_UNREACHABLE or similar ICMP message appears, then a serious error has occurred. Reset the board, and wait one minute for the TFTP server to time out and terminate any open connections. Verify that the IP addresses for the server and gateway are correct. Also, verify that a TFTP server is running on the server.

# 6 Schematics

## M523X Evaluation Board

**Table Of Contents:**

HIERARCHICAL INTERCONNECTS	SHEET 2
MRAM MEMORY	SHEET 3
ADDRESS AND DATA BUS BUFFERS	SHEET 4
CAN INTERFACE	SHEET 5
M523X CPU	SHEET 6
DEBUG	SHEET 7
ETHERNET INTERFACE	SHEET 8
ETPU INTERFACE	SHEET 9
EXPANSION CONNECTORS	SHEET 10
FLASH MEMORY	SHEET 11
POWER SUPPLY UNIT	SHEET 12
RESET CONFIGURATION AND CLOCKING CIRCUITRY	SHEET 13
SDRAM MEMORY	SHEET 14
SERIAL I/O INTERFACE	SHEET 15
USB INTERFACE	SHEET 16

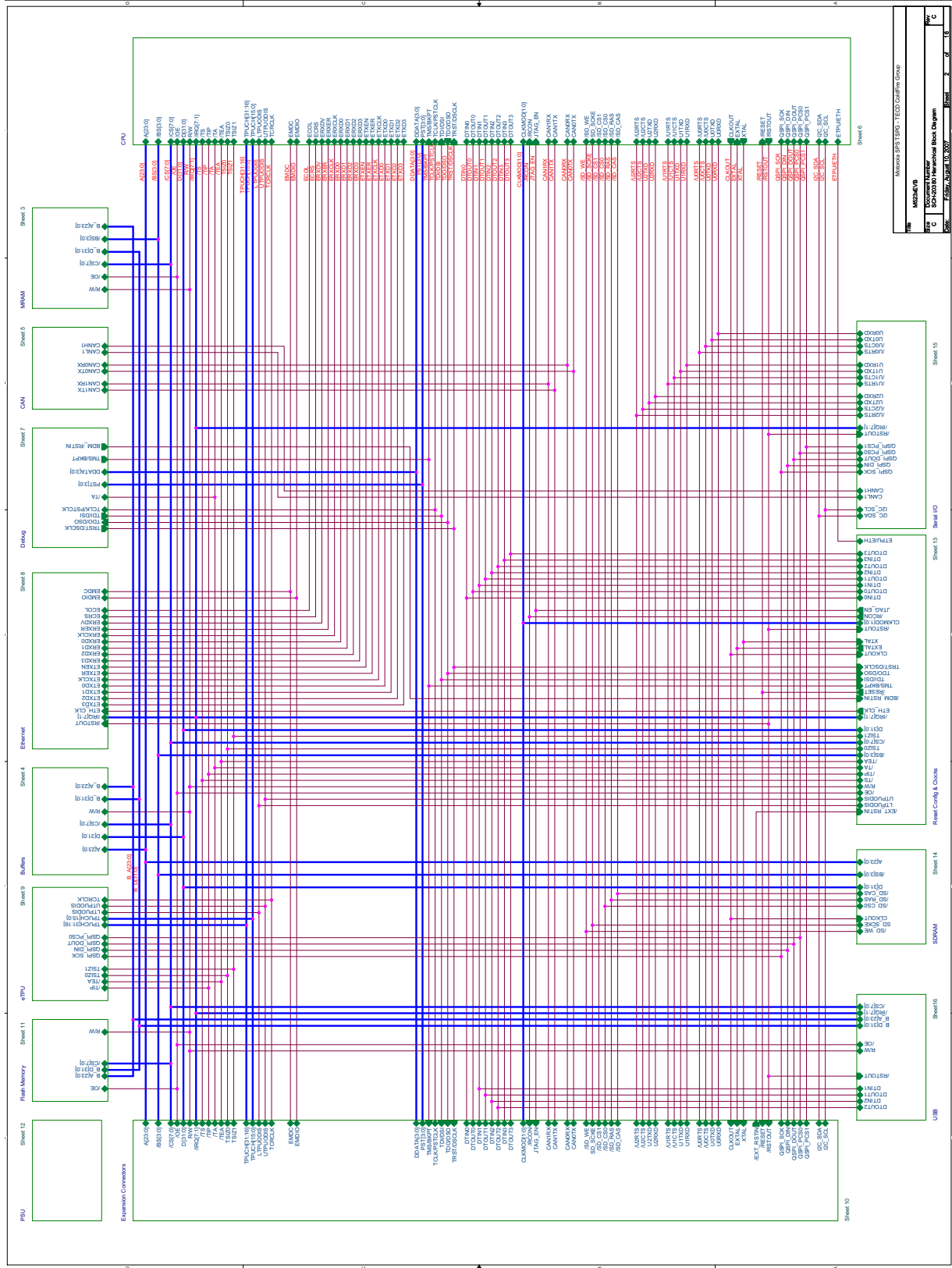
**Revision Information**

Rev	Date	Designer	Comments
0.0	02 Feb 04	L. Anderson	Provisional release
A	05 Mar 04	P. Highton	Added Metroworks schematic part number and revision letter.
B	30 Apr 04	L. Anderson	Removed alternative footprint for 90-pin SSOP 32-bit Flash and replaced with 16-bit Flash, corrected RJ45 pinout and added 18Kohm pull-down resistors to U11 (ethernet transceiver).
C	23 Jun 04	L. Anderson & Pete Highton	Final update including silkscreen modifications of the reset configuration tables. Correction of signals on the RJ-45 connector and addition of pull-down resistors on the ethernet signals.
D	27 Jul 05	L. Anderson	Updated USB page. Jumpers 59 to 62 renumbered.
A	11 Nov 05	C. Chavez	Updated Revision Schematics Page to reflect RoHS conversion of EVB.
B	03 Mar 07	C. Chavez	Added termination resistors R28,R29,R72 with 22 Ohm resistors in order to pass FCC. Replaced ASRAM with MRAM U1 and U2.
C	06 Aug 07	C. Chavez	Replaced 1M Ohm with 1K Ohm resistors on R1, R3, R67, R68, R69.

**Notes:**

- All decoupling caps less than 0.1uF are COG SMD 0805 unless otherwise stated
- All decoupling caps greater than 0.1uF are XTR SMD 0805 unless otherwise stated
- All connectors are denoted JX
- All jumpers are denoted JFX
- All switches are denoted SWx
- All test points are denoted TPx

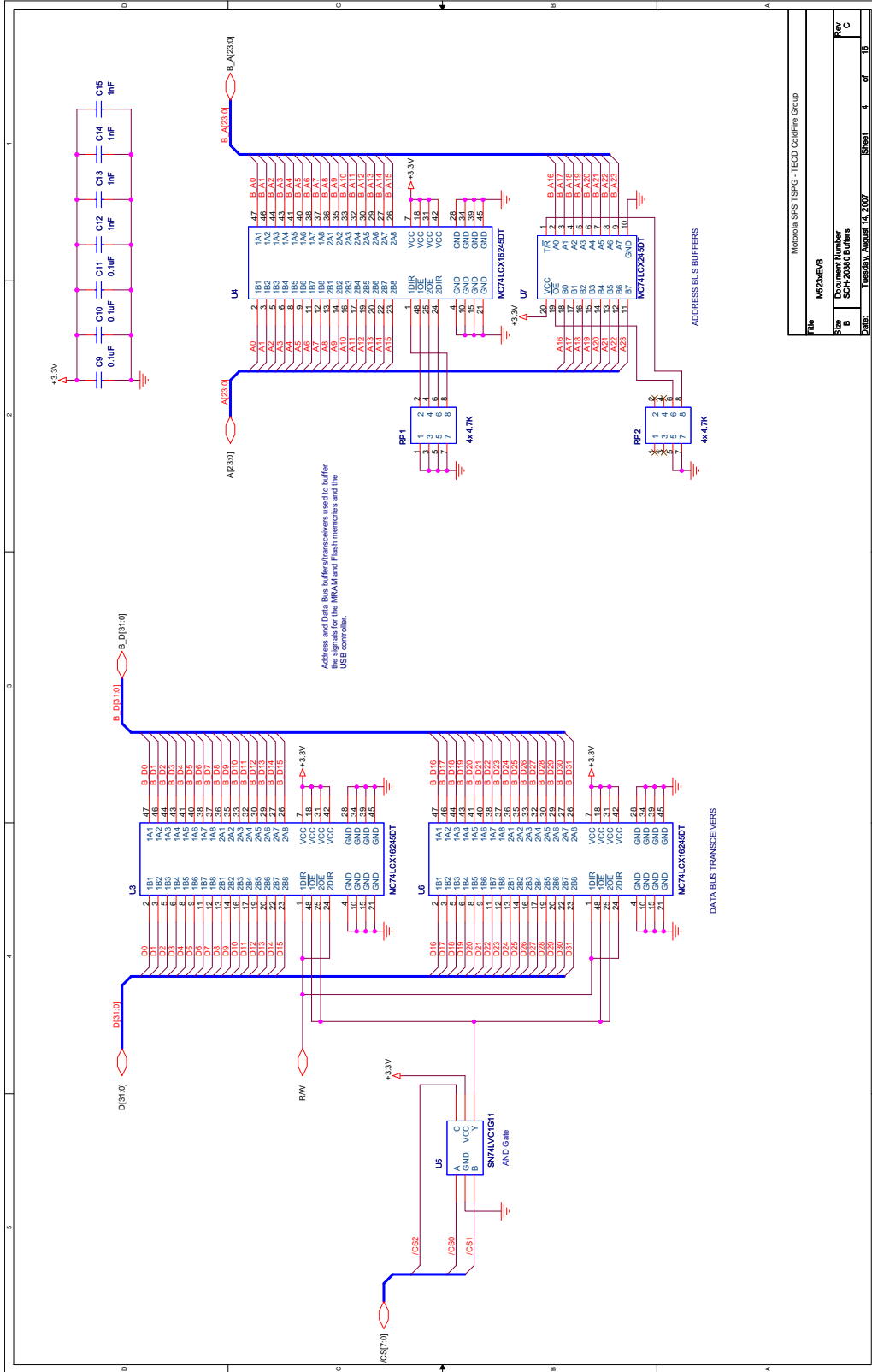
Motorola SPS TSPG - TECD CodeFile Group	
Title	M523XEV
Docuement Number	SCH-2000 General Notes and Information
Size	Page 1 of 16
Date	Monday, August 13, 2007



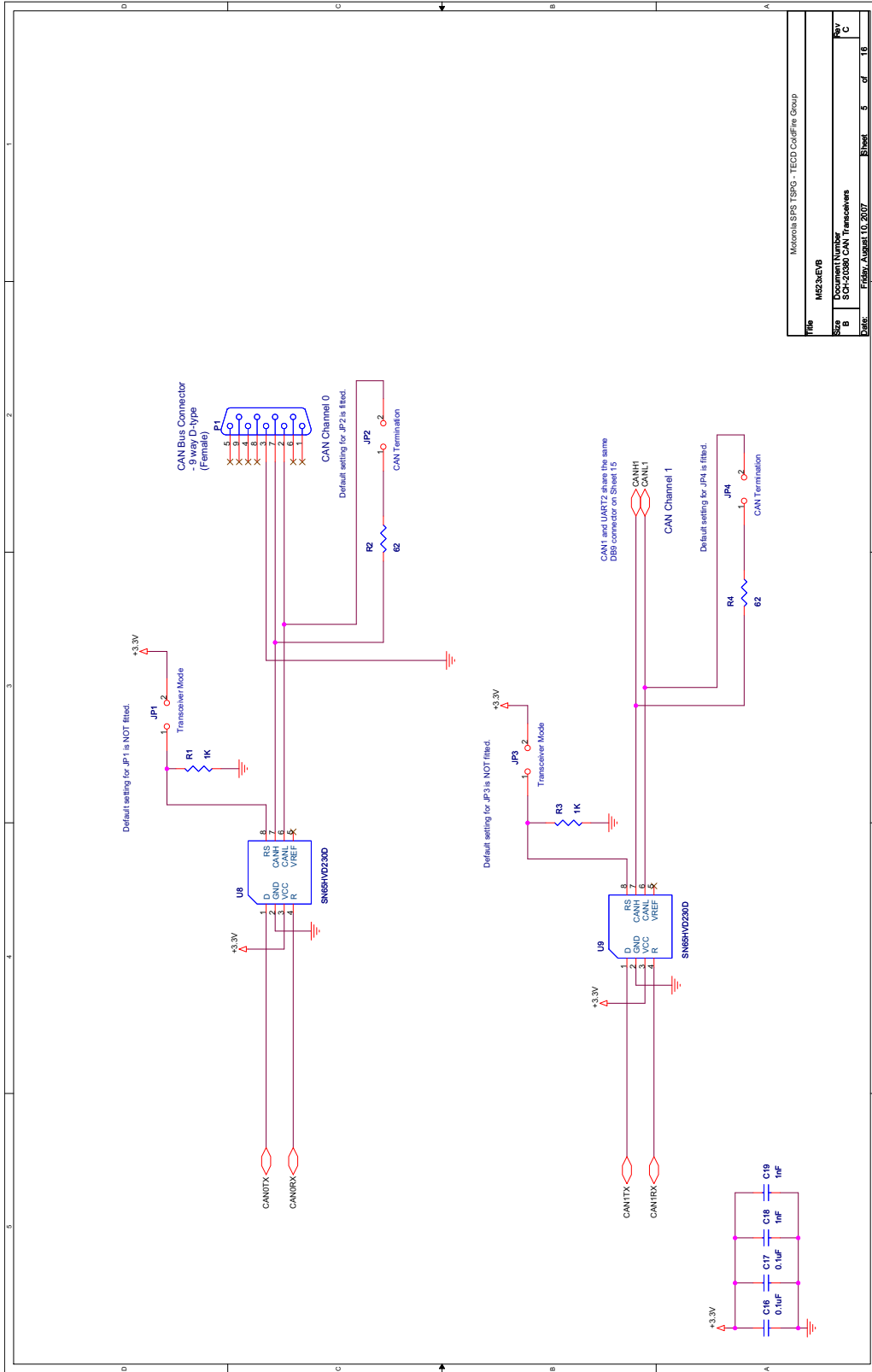
M5235EVB User's Manual, Rev. 2



M5235EVB User's Manual, Rev. 2

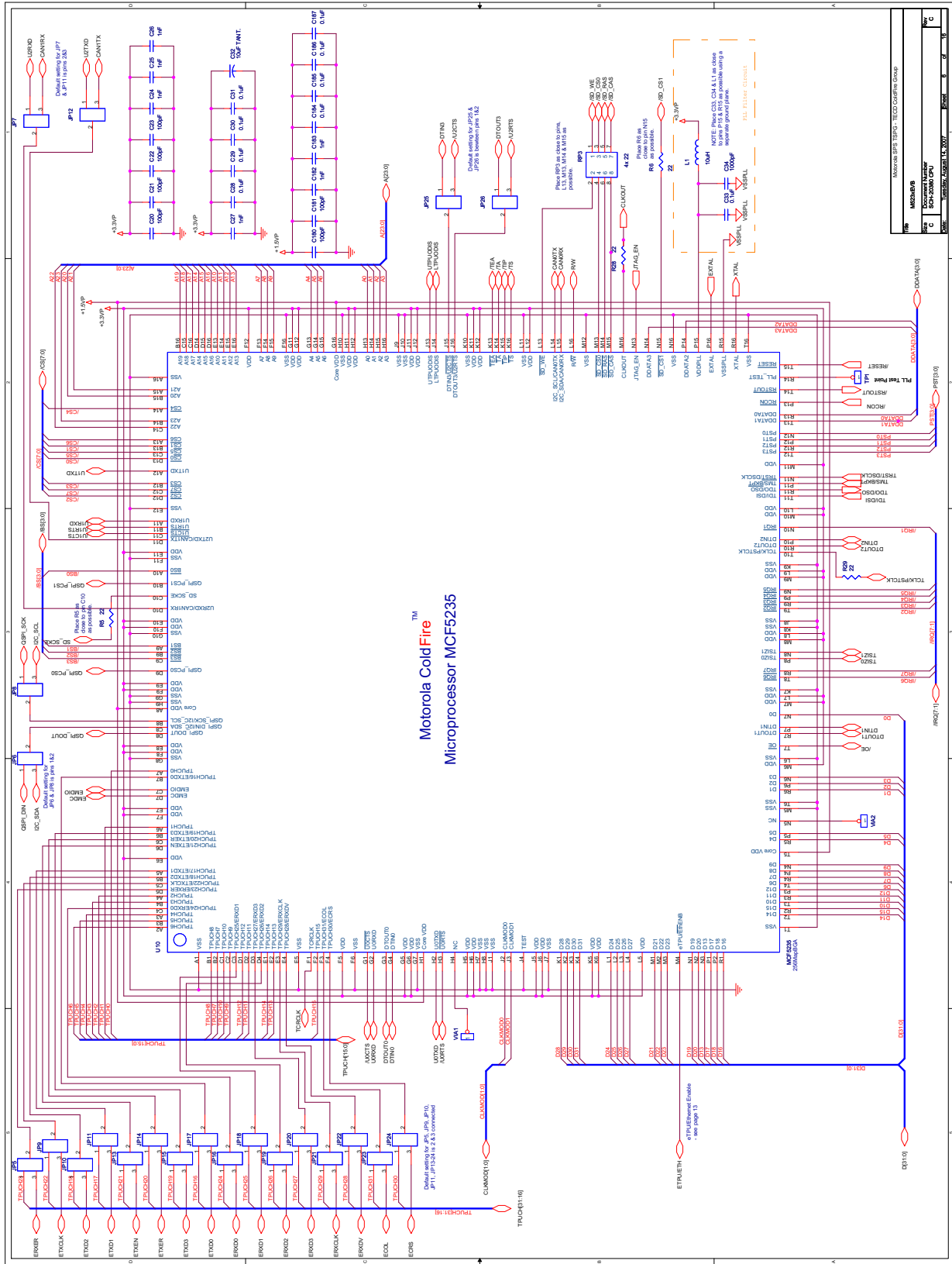


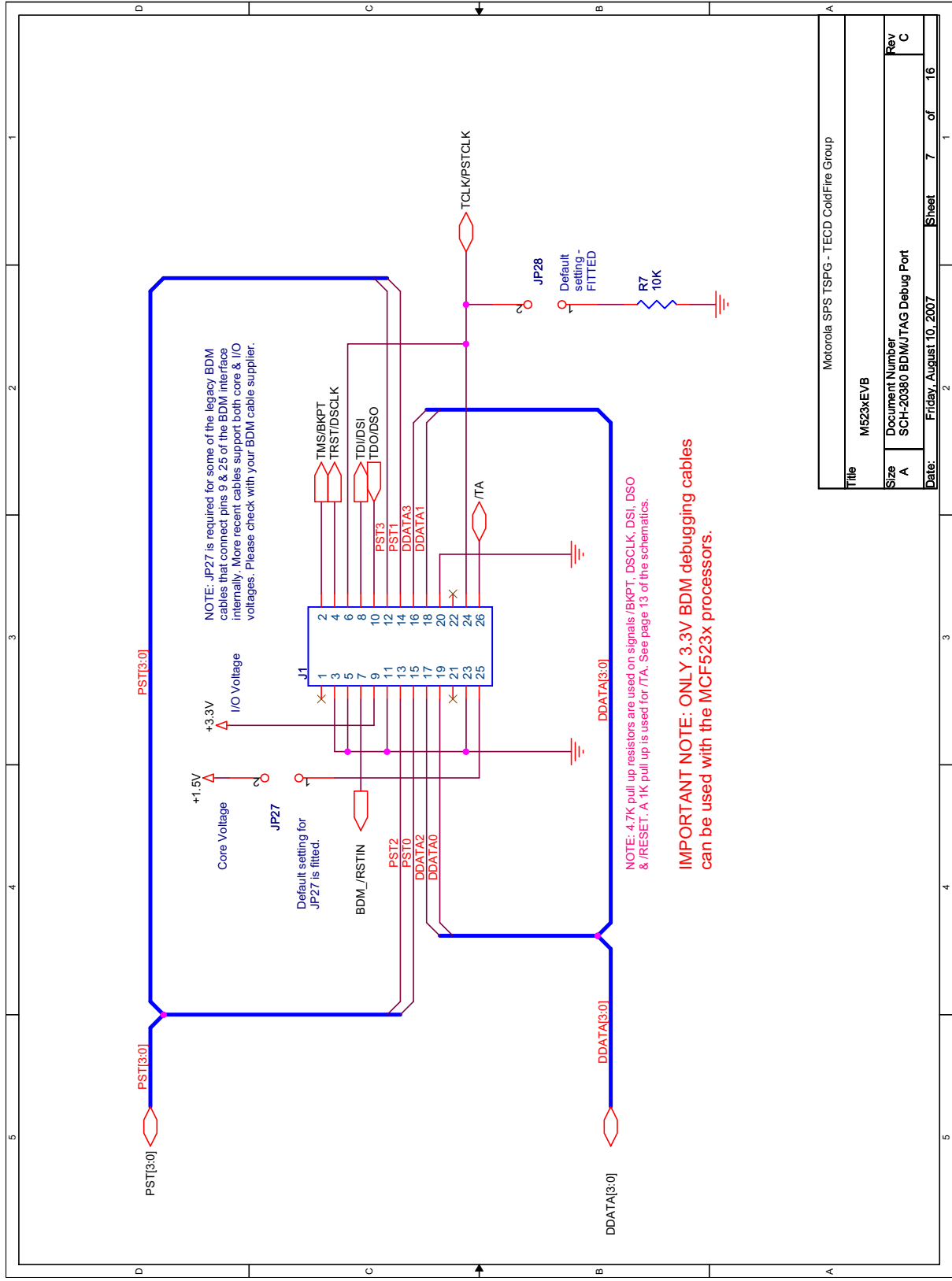
Title			
M5235EVB			
Step	Document Number	Revision	Rev C
B	SN74VCG11	1	
Date	Thursday, August 13, 2009	Sheet	4 of 16



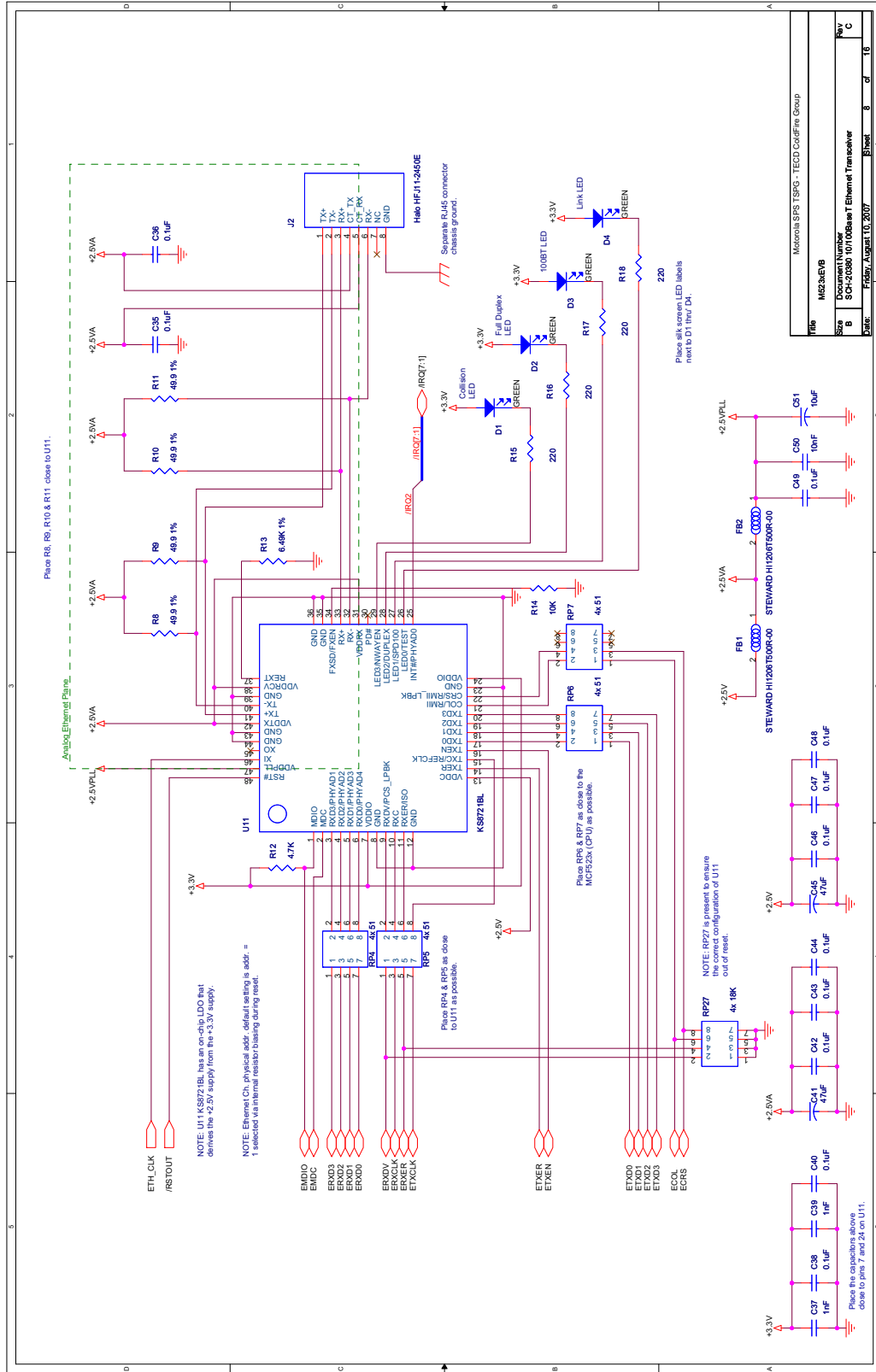
Title		M5235EVB	
Doc Number		SCH-2080 CAN Transceivers	
Date		Friday, August 10, 2007	
Sheet	5	of	16
Rev	C		

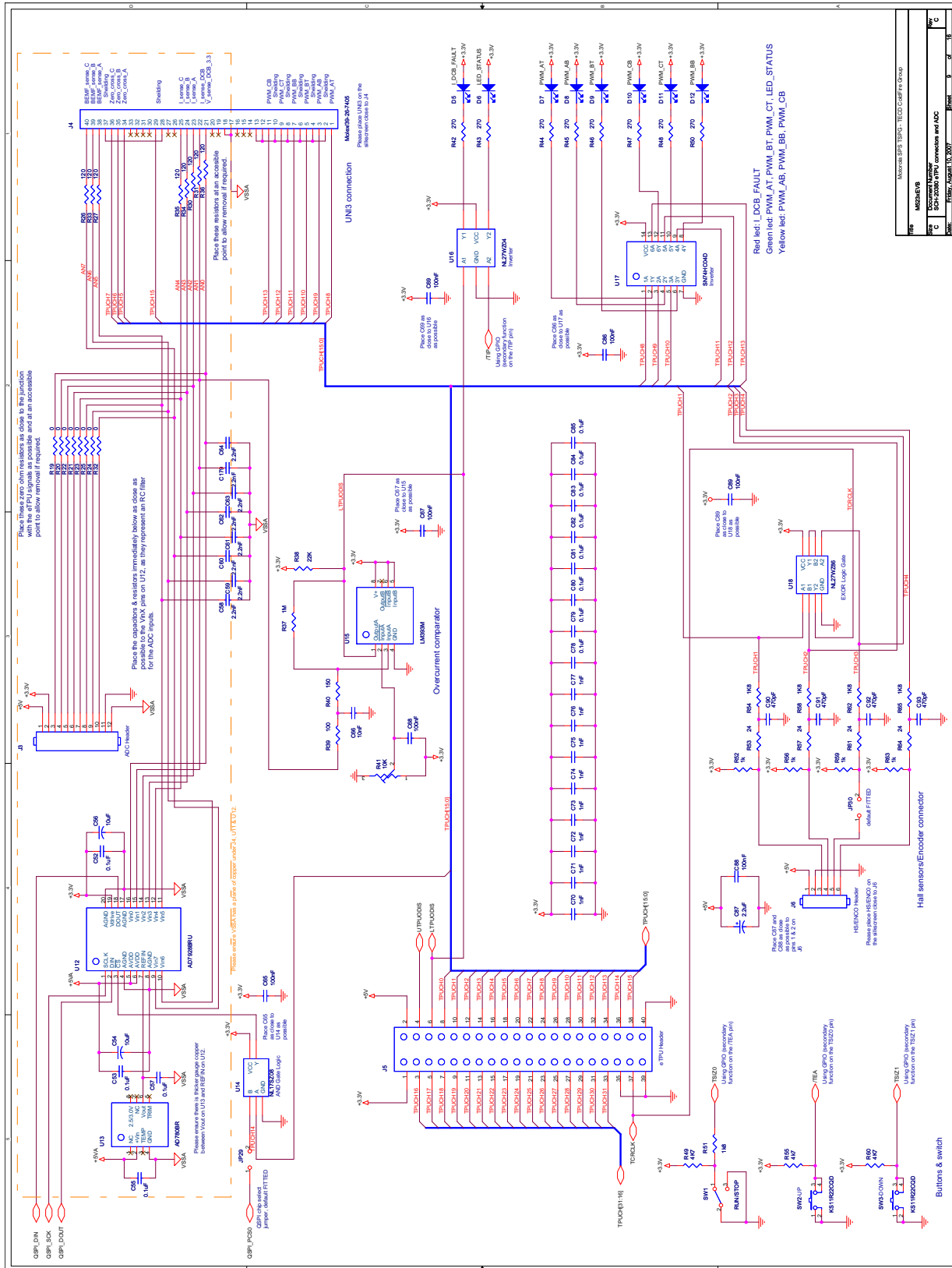






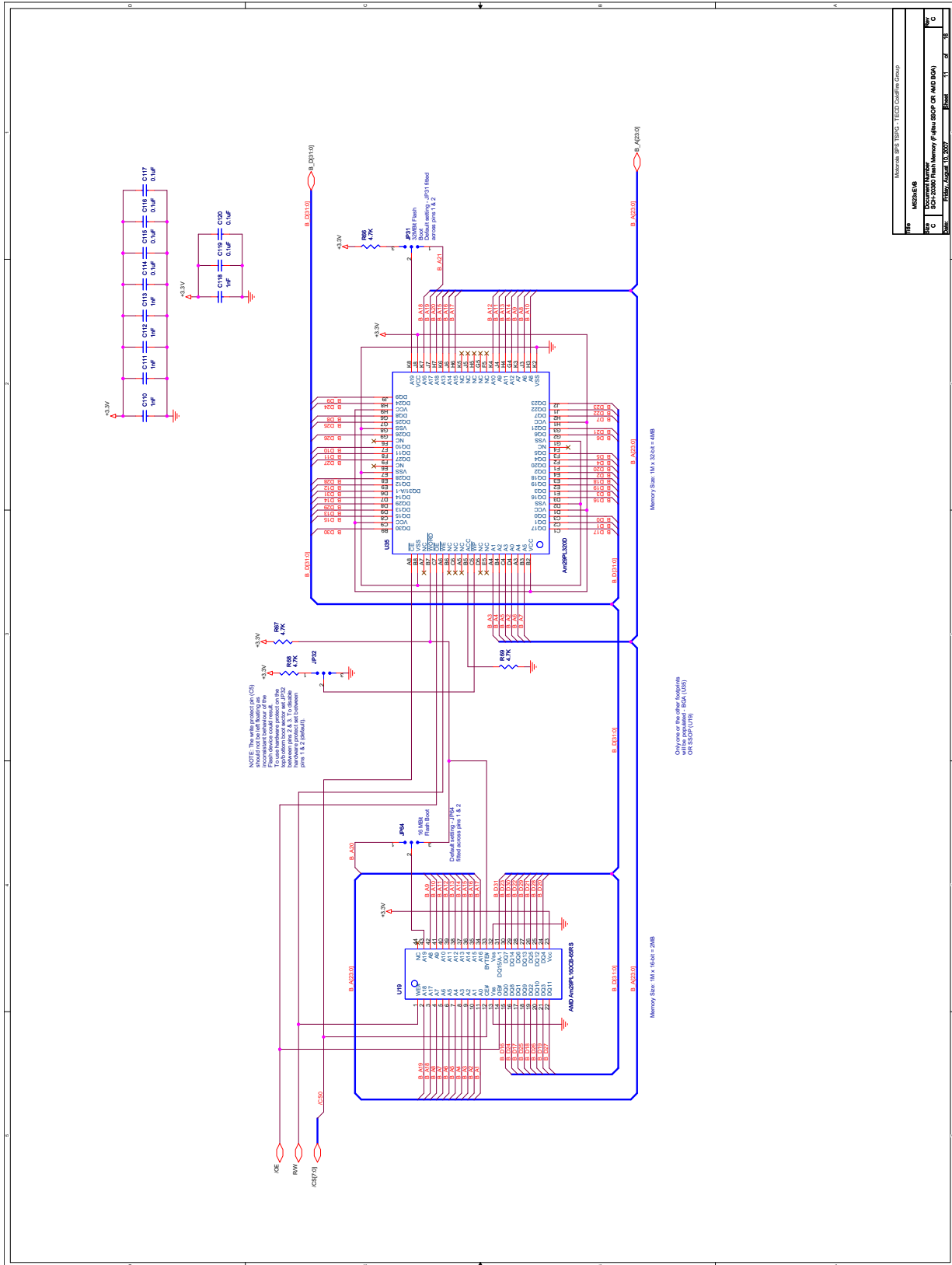
Motorola SPS TSPG - TECD ColdFire Group	
Title	M523xEVb
Size	Document Number
A	SCH-20380 BDM/JTAG Debug Port
Rev	C
Date:	Friday, August 10, 2007
Sheet	7 of 16



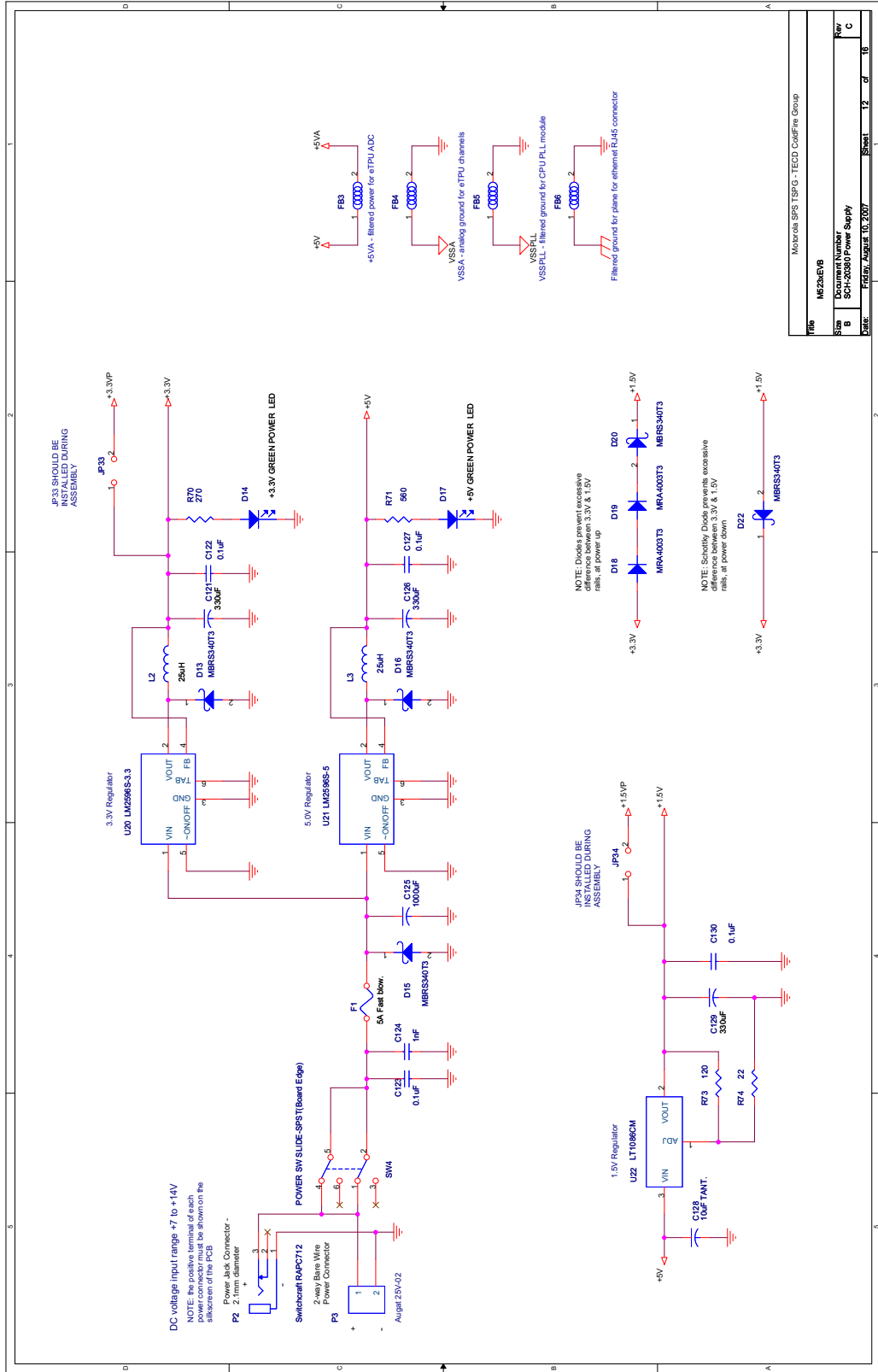


M5235EVB User's Manual, Rev. 2





Part	M5235EVB
Doc ID	66222
Rev	1.0
Doc Name	M5235EVB User's Manual (PDF)
Doc Type	User's Manual
Doc Format	PDF
Doc Size	1.0 MB
Doc Date	2008-08-10
Doc Rev	1.0
Doc Status	Final

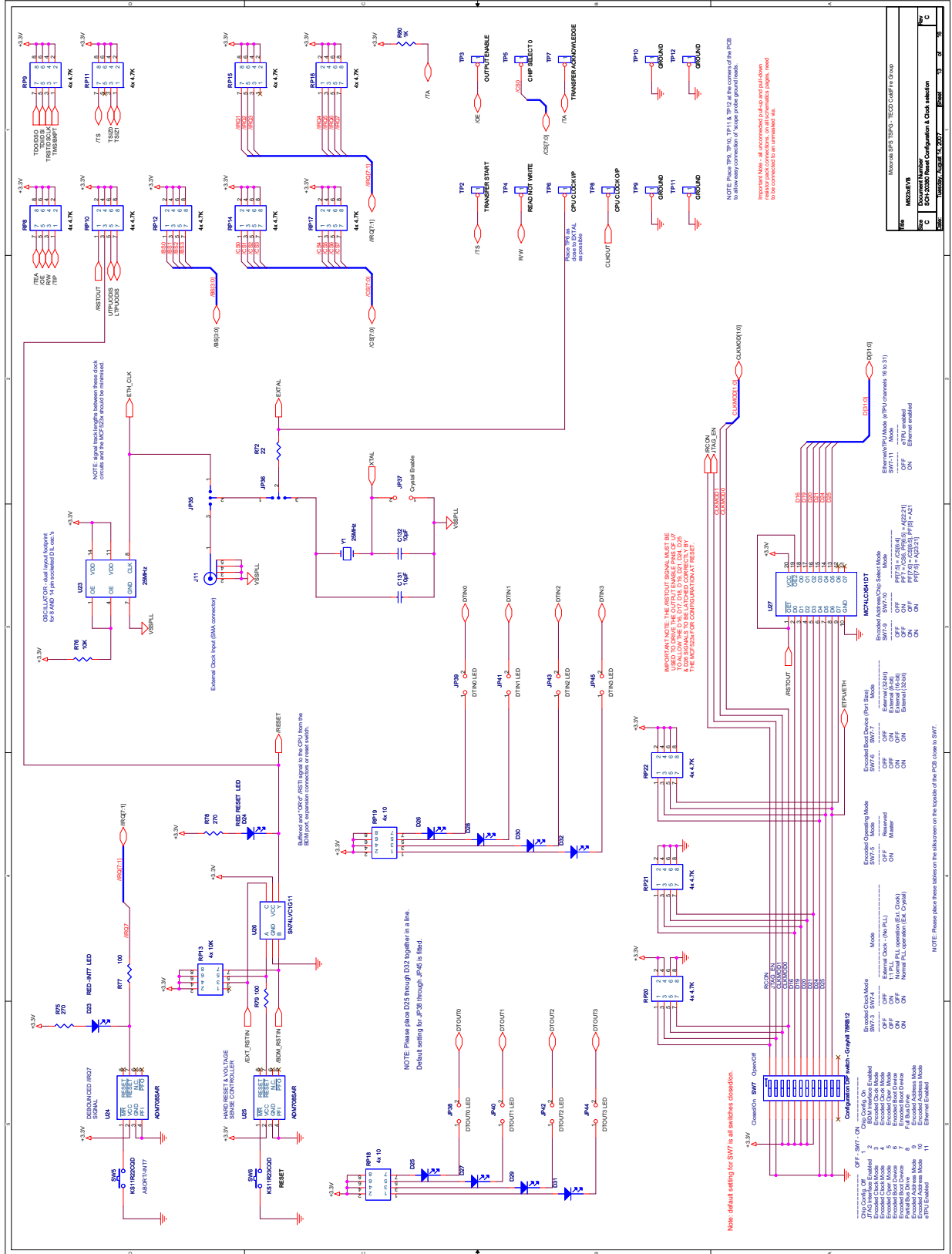


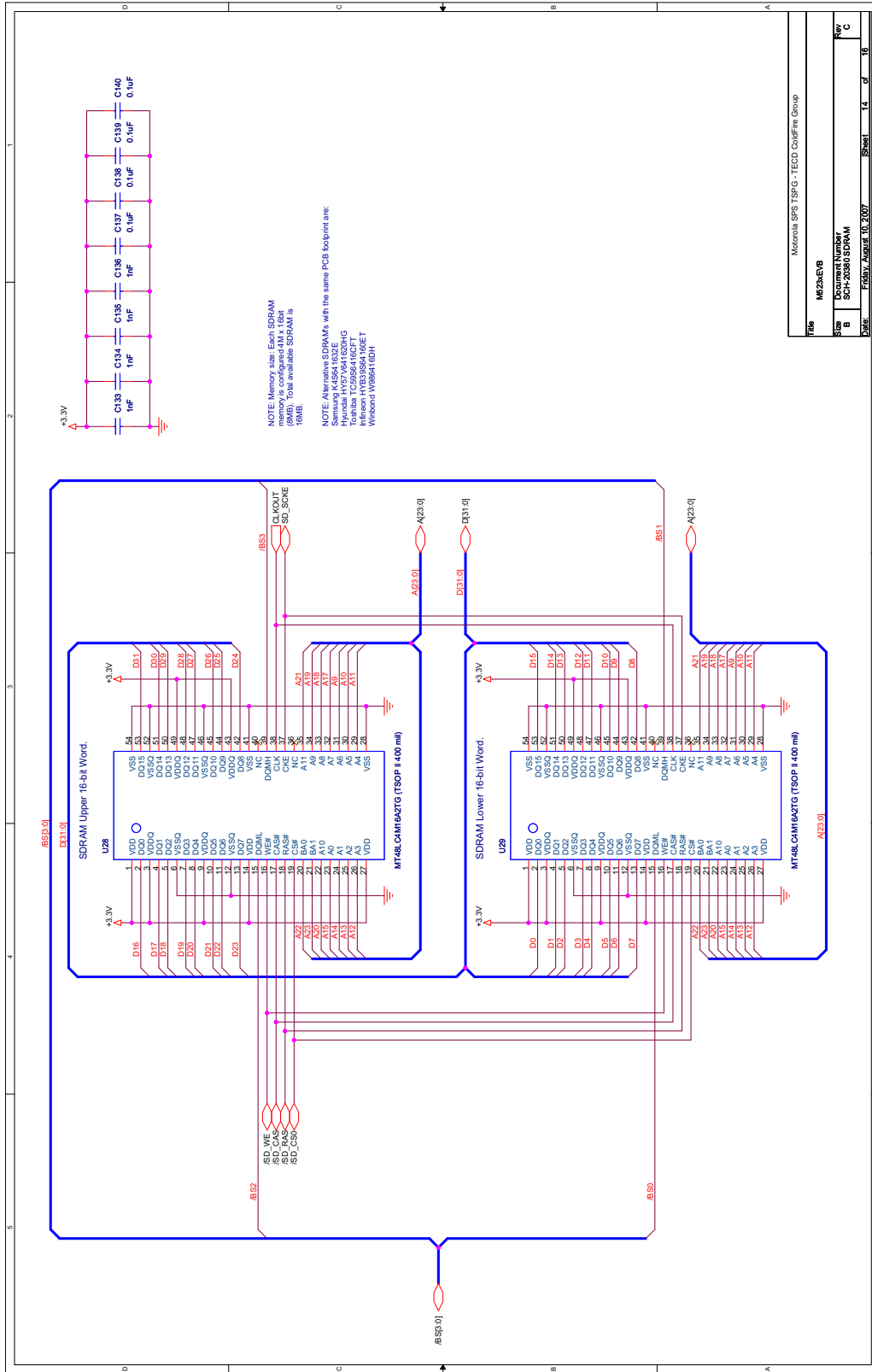
File	M5235EVB
Doc Number	SCH-2080 Power Supply
Rev	C
Date	Friday, August 10, 2007
Sheet	12 of 16





M5235EVB User's Manual, Rev. 2





File	Motorola SPS TSPG - TECD CoM/Fie Group		
Part	M5235EVB		
Sub	Document Number	Sheet	Rev
B	SCH-20360 SDRAM	14	C
Doc	Priority August 10, 2007	14	16





## 7 Evaluation Board BOM

Table 28. M523xEVB Bill of Materials

Item	Qty	Reference	Description	Mfgr	Part Number	Notes
1	1	N/A	BARE PWB ; RE Rev X for M523XEVB	RapidPCB	170-20380	
2	46	C1, C2, C3, C4, C12, C13, C14, C15, C18, C19, C24, C25, C26, C27, C37, C34, C39, C70, C71, C72, C73, C74, C75, C76, C77, C98, C99, C110, C111, C112, C113, C118, C124, C133, C134, C135, C136, C153, C155, C157, C168, C171, C173, C175, C182, C183	1nF 50V 0805, 5% COG Surface Mount Caps	KOA	AVX 08051C102KAT2A	
3	77	C5, C6, C7, C8, C9, C10, C11, C16, C17, C28, C29, C30, C31, C33, C35, C36, C38, C40, C42, C43, C44, C46, C47, C48, C49, C52, C53, C55, C57, C78, C79, C80, C81, C82, C83, C84, C85, C100, C101, C114, C115, C116, C117, C119, C120, C122, C123, C127, C130, C137, C138, C139, C140, C141, C142, C143, C144, C145, C146, C147, C148, C149, C150, C151, C152, C154, C156, C158, C166, C169, C172, C174, C176, C184, C185, C186, C187	0.1uF 25V 0805, 10% X7R Surface Mount Caps	KOA	AVX 08055C104KAT2A	
4	6	C20, C21, C22, C23, C180, C181	100pF 50V 0805 NPO or COG Surface Mount Caps	Venkel		
5	2	C32, C128	10uF 16V 10% B Case Tant.	AVX	TA016TCM106KBR	
6	2	C41, C45	47uF 16V C Case Tant.	AVX	TPSC476K016R0350	
7	9	C50, C66, C94, C95, C102, C103, C104, C105, C170	10nF 25V X7R 0805 Surface Mount Caps	Venkel	C0805X7R250-103KNE	
8	3	C51, C54, C56	10uF D Case 7343. Tant.	AVX	TPSD106K035R0300	
9	8	C58, C59, C60, C61, C62, C63, C64, C179	2.2nF 25V NPO	Venkel		
10	7	C65, C67, C68, C69, C86, C88, C89	0.1uF 25V X7R 0805, 10%	AVX	AVX 08055C104KAT2A	
11	1	C87	2.2uF 10V A Case Tant.	AVX	T494A225K010AS	
12	10	C90, C91, C92, C93, C96, C97, C106, C107, C108, C109	470pF 50V NPO or COG 0805, 5%	Venkel		

Table 28. M523xEVB Bill of Materials (continued)

Item	Qty	Reference	Description	Mfgr	Part Number	Notes
14	3	C121, C126, C129	330uF 10V D Case Tant	AVX	TPSE337K010R0100	
15	1	C125	1000uF 35V	Panasonic	ECA-1VM102 or UVZ1H102MHH	
16	3	C159, C165, C167	10uF 16V 10% B Case Tant.	Venkel	TA016TCM106KBR	
17	2	C131, C132	10pF SMD 50V 0805 5%	KOA or Philips		
18	4	C160, C161, C163, C164	47pF SMD 50V 0805 5%	KOA or Philips		
19	1	C162	22nF SMD 50V 0805 5%	KOA or Philips		
20	2	C178, C177	22pF SMD 50V 0805 5%	KOA or Philips		
21	12	D1, D2, D3, D4, D6, D7, D9, D11, D14, D17, D33	GREEN LED	Kingbright	AA3528SGC	
22	3	D5, D23, D24	RED LED	Kingbright	AA3528SRC	
23	3	D8, D10, D12	YELLOW LED	Kingbright	AA3528YC	
24	5	D13, D15, D16, D20, D22	Shottky Power Diodes	On-Semi	MBRS340T3	
25	2	D18, D19	SMA	On-Semi	MRA4003T3	
26	8	D25, D26, D27, D28, D29, D30, D31, D32	BLUE LED	Kingbright	AA3528MBC	
27	6	FB1, FB2, FB3, FB4, FB5, FB6	Ferrite Beads	STEWARD	HI1206T500R-00	
28	1	F1	5A Fast Blow FUSE	Keystone	4527K Fuse Holder by KEYSTONE +0216005.H: Fuse by Littlefuse, 5A, 250V, 5 x 20mm glass	

Table 28. M523xEVB Bill of Materials (continued)

Item	Qty	Reference	Description	Mfgr	Part Number	Notes
29	33	JP1, JP2, JP3, JP4, JP27, JP28, JP29, JP30, JP33, JP34, JP37, JP38, JP39, JP40, JP41, JP42, JP43, JP44, JP45, JP46, JP47, JP48, JP49, JP53, JP54, JP55, JP57, JP58, JP59, JP60, JP61, JP62, JP63	2-way Jumper	Sullins or Harwin	S2105-02 or M22-2510205	
30	30	JP5, JP6, JP7, JP8, JP9, JP10, JP11, JP12, JP13, JP14, JP15, JP16, JP17, JP18, JP19, JP20, JP21, JP22, JP23, JP24, JP25, JP26, JP31, JP32, JP35, JP36, JP50, JP51, JP52, JP56	3-way Jumper	Sullins or Harwin	S2105-03 or M22-2510305	
31	1	J1	2 x 13 BDM Connector - Shrouded Headers	Thomas & Betts	609-2627	
32	1	J2	RJ45 Connector	Halo	HFJ11-2450E	
33	1	J3	1 x 12 ADC Header 0.1 Male	Molex	22-10-7128	
34	1	J4	2 x 20 shrd. UNI3 Connector Male	Molex	39-26-7405	
35	1	J5	2 x 20 eTPU Header 0.1 Male	Molex	10-89-6404	
36	1	J6	1 x 6 HS/ENCO Header Male	Molex	22-27-2061	
37	4	J7, J8, J9, J10	60 way Fine Pitch Surface Mount Connector	AMP	177983-2	
38	1	J11	External Clock Input SMA Connector	AMP	1053378-1	
39	1	J12	1 x 10 QSPI Header Male	Molex	22-10-2101	
40	1	J13	1 x 4 I2C Header 0.1 Male	Molex	22-10-2041	
41	1	J14	USB MiniAB Connector	AMP	440479-1	A
42	1	J15	USB "series B" Connector	AMP	787780-1	
43	1	J16	USB "series A" Connector	AMP	787616-1	

Table 28. M523xEVB Bill of Materials (continued)

Item	Qty	Reference	Description	Mfgr	Part Number	Notes
44	1	L1	10uH Inductor	Central Technologies or Delaven	CT1210LSC-100_ or 1210-103J	
45	2	L2, L3	Power Inductor Thru Hole	Siemens	B82111-B-C24	
46	4	P1, P4, P5, P6	DB9 RS232 Port Thru Hole	AMP	747844-3	
47	1	P2	2.1mm Barrel Power Connector	Switchcraft	RAPC722	
48	2	P3	2-way Bare Wire Power Connector	Augat	2SV-02	
49	18	RP1, RP2, RP8, RP9, RP10, RP11, RP12, RP14, RP15, RP16, RP17, RP20, RP21, RP22, RP23, RP24, RP25, RP26	ARV241, 4 x 4.7K ohm resistor pack	KOA or Philips	4 X 4.7K, 4 X 0603	
50	1	RP3	ARV241, 4 x 22 ohm resistor pack	KOA or Philips	4 X 22	
51	4	RP4, RP5, RP6, RP7	ARV241, 4 x 51 ohm resistor pack	KOA or Philips	4 X 51	
52	1	RP13	ARV241, 4 x 10 K ohm resistor pack	KOA or Philips	4 X 10K	
53	2	RP18, RP19	ARV241, 4 x 10 ohm resistor pack	KOA or Philips	4 X 10	
54	8	R1, R3, R52, R56, R59, R63, R80, R89	1K ohm 0805 Surface Mount Resistor	KOA or Philips	1K	
55	2	R2, R4	62 ohm 0805 Surface Mount Resistor	KOA or Philips	62	
56	8	R5, R6, R28, R29, R72, R74, R83, R84, R87, R88	22R ohm 0805 Surface Mount Resistor	KOA or Philips	22.1R, 1%	
57	1	R41	SMT POT	Bourns	Bourns 3314J-1 or Spectral Vishay 4G-103	
58	7	R7, R14, R76, R81, R82, R90, R91	10K ohm 0805 Surface Mount Resistor	KOA or Philips	10K	



Table 28. M523xEVB Bill of Materials (continued)

Item	Qty	Reference	Description	Mfgr	Part Number	Notes
59	4	R8, R9, R10, R11	49.9R ohm 0805 Surface Mount Resistor	KOA or Philips	49.9R, 1%	
60	8	R12, R49, R55, R60, R66, R67, R68, R69	4.7K ohm 0805 Surface Mount resistor	KOA or Philips	4.7K	
61	1	R13	6.49K ohm 0805 Surface Mount Resistor	KOA or Philips	6.49K	
62	4	R15, R16, R17, R18	220R ohm 0805 Surface Mount Resistor	KOA or Philips	220R	
63	8	R19, R20, R21, R22, R23, R24, R25, R32	0 ohm 0805 Surface Mount Resistor	KOA or Philips	330	
64	9	R26, R27, R30, R31, R33, R34, R35, R36, R73	120 ohm 0805 Surface Mount Resistor	KOA or Philips	120	
65	2	R37, R93	1M ohm 0805 Surface Mount Resistor	KOA or Philips	1M	
66	1	R38	22.1K ohm Surface Mount Resistor	KOA or Philips	22.1K, 1%	
67	2	R39	150 ohm 0805 Surface Mount Resistor	KOA or Philips	150	
68	11	R42, R43, R44, R45, R46, R47, R48, R50, R70, R75, R78	270R ohm 0805 Surface Mount Resistor	KOA or Philips	270R	
69	5	R51, R54, R58, R62, R65	1.8K ohm 0805 Surface Mount Resistor	KOA or Philips	1.8K	
70	4	R53, R57, R61, R64	24R ohm 0805 Surface Mount Resistor	KOA or Philips	24.9R, 1%	
71	1	R71	560R ohm 0805 Surface Mount Resistor	KOA or Philips	560R	
72	2	R40, R77, R79	100 ohm 0805 Surface Mount Resistor	KOA or Philips	100	
73	3	R85, R86, R92	100K ohm 0805 Surface Mount Resistor	KOA or Philips	100K	
74	1	SW1	Toggle Switch	Apem	108-2MS1T1B1M2QE	

Table 28. M523xEVB Bill of Materials (continued)

Item	Qty	Reference	Description	Mfgr	Part Number	Notes
75	3	SW2, SW3, SW5	Surface Mount Switch - Black	C & K	KS11R22CQD	
76	1	SW4	Slide Switch	Apem	25546NA6 (silver preferred) or 25546NLD (gold plate)	
77	1	SW6	Surface Mount Switch - Red	C & K	KS11R23CQD	
78	1	SW7	Configuration DIP switch 10 position SPDT	Grayhill	78RB12	
79	13	TP1, TP2, TP3, TP4, TP5, TP6, TP7, TP8, TP9, TP10, TP11, TP12, TP13	Surface Mount Test Points	Keystone	5015K	
80	2	U1, U2	MRAM	Freescale	MR2A16ATS35C	A
81	3	U3, U4, U6	Buffers	On-Semi	MC74LCX16245DT	
82	2	U5, U26	AND Gate	TI	SN74LVC1G11DBVR	
83	1	U7	Buffers	On-Semi	MC74LCX245DT	
84	2	U8, U9	CAN Transceivers	TI	SN65HVD230D	
85	1	U10	ColdFire MCF5235 microprocessor	Freescale	MCF5235CVM150	
86	1	U11	Ethernet Transceiver	Micrel	KS8721BL	
87	1	U12	A to D Converter	Analog Devices	AD9728BRU	
88	1	U13	Voltage Regulator	Analog Devices	AD780BR	
89	1	U14	AND Gate	On-Semi	NL17SZ08DFT2	
90	1	U15	Comparator		LM393M	
91	1	U16	2 Gate Inverter	On-Semi	NL27WZ04DFT2	
92	1	U17	6 Gate Inverter		SN74HC04D	
93	1	U18	EXOR Logic Gate	On-Semi	NL27WZ86US	
94	1	U19	16-bit flash memory	AMD	Am29PL160CB-65RS	
95	1	U20	3.3V Regulator	National	LM2596S-3.3	
96	1	U21	5V Regulator	National	LM2596S-5	

Table 28. M523xEVB Bill of Materials (continued)

Item	Qty	Reference	Description	Mfgr	Part Number	Notes
97	1	U22	1.5V Regulator	Linear Tech.	LT1086CM	
98	1	U23	OSC. 3.3V 25MHz 4-pin Thru Hole	FOX or Pletronics	H5C-2E3 or F5C-2E3 or P1100-HCV or P1145-HCV	
99	2	U24, U25	Voltage Monitoring uP Supervisory Circuit	Analog Devices	ADM708SAR	
100	1	U27	Buffer	Freescale	MC74LCX541DT	
101	2	U28, U29	SDRAM	Micron	MT48LC4M16A2TG75L	
102	3	U30, U31, U32	RS232 Transceiver	Maxim	MAX3225CAP or ICL3225CA	
103	1	U33	USB OTG controller	Philips	ISP1362BD	
104	1	U34	Power Distribution Switch	Micrel	MIC2026-2BM	
105	1	U35	32-bit flash memory	AMD or Fujitsu	Am29PL320DB60RWP or MBM29PL3200BE70PBT	A
106	2	VIA1, VIA2	SMTF			
107	1	Y1	25MHz Crystal	FOX	FOXS/250F-20	A
108	1	Y2	12MHz Crystal	FOX	FOXS/120-20	

**Note:** A = not populated at assembly.

## How to Reach Us:

### Home Page:

[www.freescale.com](http://www.freescale.com)

### Web Support:

<http://www.freescale.com/support>

### USA/Europe or Locations Not Listed:

Freescale Semiconductor, Inc.  
Technical Information Center, EL516  
2100 East Elliot Road  
Tempe, Arizona 85284  
+1-800-521-6274 or +1-480-768-2130  
[www.freescale.com/support](http://www.freescale.com/support)

### Europe, Middle East, and Africa:

Freescale Halbleiter Deutschland GmbH  
Technical Information Center  
Schatzbogen 7  
81829 Muenchen, Germany  
+44 1296 380 456 (English)  
+46 8 52200080 (English)  
+49 89 92103 559 (German)  
+33 1 69 35 48 48 (French)  
[www.freescale.com/support](http://www.freescale.com/support)

### Japan:

Freescale Semiconductor Japan Ltd.  
Headquarters  
ARCO Tower 15F  
1-8-1, Shimo-Meguro, Meguro-ku,  
Tokyo 153-0064  
Japan  
0120 191014 or +81 3 5437 9125  
[support.japan@freescale.com](mailto:support.japan@freescale.com)

### Asia/Pacific:

Freescale Semiconductor Hong Kong Ltd.  
Technical Information Center  
2 Dai King Street  
Tai Po Industrial Estate  
Tai Po, N.T., Hong Kong  
+800 2666 8080  
[support.asia@freescale.com](mailto:support.asia@freescale.com)

### For Literature Requests Only:

Freescale Semiconductor Literature Distribution Center  
P.O. Box 5405  
Denver, Colorado 80217  
1-800-441-2447 or 303-675-2140  
Fax: 303-675-2150  
[LDCForFreescaleSemiconductor@hibbertgroup.com](mailto:LDCForFreescaleSemiconductor@hibbertgroup.com)

Document Number: M5235EVBUM  
Rev. 2  
08/2007

Information in this document is provided solely to enable system and software implementers to use Freescale Semiconductor products. There are no express or implied copyright licenses granted hereunder to design or fabricate any integrated circuits or integrated circuits based on the information in this document.

Freescale Semiconductor reserves the right to make changes without further notice to any products herein. Freescale Semiconductor makes no warranty, representation or guarantee regarding the suitability of its products for any particular purpose, nor does Freescale Semiconductor assume any liability arising out of the application or use of any product or circuit, and specifically disclaims any and all liability, including without limitation consequential or incidental damages. "Typical" parameters that may be provided in Freescale Semiconductor data sheets and/or specifications can and do vary in different applications and actual performance may vary over time. All operating parameters, including "Typicals", must be validated for each customer application by customer's technical experts. Freescale Semiconductor does not convey any license under its patent rights nor the rights of others. Freescale Semiconductor products are not designed, intended, or authorized for use as components in systems intended for surgical implant into the body, or other applications intended to support or sustain life, or for any other application in which the failure of the Freescale Semiconductor product could create a situation where personal injury or death may occur. Should Buyer purchase or use Freescale Semiconductor products for any such unintended or unauthorized application, Buyer shall indemnify and hold Freescale Semiconductor and its officers, employees, subsidiaries, affiliates, and distributors harmless against all claims, costs, damages, and expenses, and reasonable attorney fees arising out of, directly or indirectly, any claim of personal injury or death associated with such unintended or unauthorized use, even if such claim alleges that Freescale Semiconductor was negligent regarding the design or manufacture of the part.

RoHS-compliant and/or Pb-free versions of Freescale products have the functionality and electrical characteristics as their non-RoHS-compliant and/or non-Pb-free counterparts. For further information, see <http://www.freescale.com> or contact your Freescale sales representative.

For information on Freescale's Environmental Products program, go to <http://www.freescale.com/epp>.

Freescale™ and the Freescale logo are trademarks of Freescale Semiconductor, Inc. All other product or service names are the property of their respective owners.  
© Freescale Semiconductor, Inc. 2007. All rights reserved.





Компания «ЭлектроПласт» предлагает заключение долгосрочных отношений при поставках импортных электронных компонентов на взаимовыгодных условиях!

Наши преимущества:

- Оперативные поставки широкого спектра электронных компонентов отечественного и импортного производства напрямую от производителей и с крупнейших мировых складов;
- Поставка более 17-ти миллионов наименований электронных компонентов;
- Поставка сложных, дефицитных, либо снятых с производства позиций;
- Оперативные сроки поставки под заказ (от 5 рабочих дней);
- Экспресс доставка в любую точку России;
- Техническая поддержка проекта, помощь в подборе аналогов, поставка прототипов;
- Система менеджмента качества сертифицирована по Международному стандарту ISO 9001;
- Лицензия ФСБ на осуществление работ с использованием сведений, составляющих государственную тайну;
- Поставка специализированных компонентов (Xilinx, Altera, Analog Devices, Intersil, Interpoint, Microsemi, Aeroflex, Peregrine, Syfer, Eurofarad, Texas Instrument, Miteq, Cobham, E2V, MA-COM, Hittite, Mini-Circuits, General Dynamics и др.);

Помимо этого, одним из направлений компании «ЭлектроПласт» является направление «Источники питания». Мы предлагаем Вам помощь Конструкторского отдела:

- Подбор оптимального решения, техническое обоснование при выборе компонента;
- Подбор аналогов;
- Консультации по применению компонента;
- Поставка образцов и прототипов;
- Техническая поддержка проекта;
- Защита от снятия компонента с производства.



#### Как с нами связаться

**Телефон:** 8 (812) 309 58 32 (многоканальный)

**Факс:** 8 (812) 320-02-42

**Электронная почта:** [org@eplast1.ru](mailto:org@eplast1.ru)

**Адрес:** 198099, г. Санкт-Петербург, ул. Калинина, дом 2, корпус 4, литера А.