

## USB3613



# USB 2.0 Hi-Speed 3-Port Hub Controller Optimized for Portable Applications

## PRODUCT FEATURES

Datasheet

### Highlights

- Hub Controller IC with 3 downstream ports
- High-Speed Inter-Chip (HSIC) support
  - HSIC upstream port
  - 1 downstream HSIC port
- USB-IF Battery Charger revision 1.2 support on up & downstream ports (DCP, CDP, SDP)
- Battery charging support for Apple<sup>®</sup> devices
- **FlexConnect**: Downstream port 1 able to swap with upstream port, allowing master capable devices to control other devices on the hub
- USB to I<sup>2</sup>C<sup>™</sup>/SPI bridge endpoint support
- USB Link Power Management (LPM) support
- SUSPEND pin for remote wakeup indication to host
- Vendor Specific Messaging (VSM) support
- Enhanced OEM configuration options available through OTP or SMBus Slave Port
- Flexible power rail support
  - VBUS or VBAT only operation
  - 3.3V only operation
  - VBAT + 1.8V operation
  - 3.3V + 1.8V operation
- 30-ball (2.9x2.5mm) WLCSP, RoHS compliant package

### Target Applications

- Mobile phones
- Tablets
- Ultrabooks
- Digital still cameras
- Digital video camcorders
- Gaming consoles
- PDAs
- Portable media players
- GPS personal navigation devices
- Media players/viewers

### Additional Features

- **MultiTRAK**<sup>™</sup>
  - Dedicated Transaction Translator per port
- **PortMap**
  - Configurable port mapping and disable sequencing
- **PortSwap**
  - Configurable differential intra-pair signal swapping
- **PHYBoost**<sup>™</sup>
  - Programmable USB transceiver drive strength for recovering signal integrity
- **VariSense**<sup>™</sup>
  - Programmable USB receiver sensitivity
- Low power operation
- Full Power Management with individual or ganged power control of each downstream port
- Built-in Self-Powered or Bus-Powered internal default settings provide flexibility in the quantity of USB expansion ports utilized without redesign
- Supports “Quad Page” configuration OTP flash
  - Four consecutive 200 byte configuration pages
- Fully integrated USB termination and Pull-up/Pull-down resistors
- On-chip Power On Reset (POR)
- Internal 3.3V and 1.2V voltage regulators
- On Board 24MHz Crystal Driver, Resonator, or External 24MHz clock input
- Environmental
  - Commercial temperature range support (0°C to 70°C)
  - Industrial temperature range support (-40°C to 85°C)

**Order Number(s):**

ORDER NUMBER	TEMPERATURE RANGE	PACKAGE TYPE
USB3613-1080XY	0°C to +70°C	30-ball WLCSP
USB3613-1080XY-TR	0°C to +70°C	30-ball WLCSP (Tape & Reel)
USB3613i-1080XY	-40°C to +85°C	30-ball WLCSP
USB3613i-1080XY-TR	-40°C to +85°C	30-ball WLCSP (Tape & Reel)

**This product meets the halogen maximum concentration values per IEC61249-2-21**

**For RoHS compliance and environmental information, please visit [www.smsc.com/rohs](http://www.smsc.com/rohs)**

*Please contact your SMSC sales representative for additional documentation related to this product such as application notes, anomaly sheets, and design guidelines.*

**The table above represents valid part numbers at the time of printing and may not represent parts that are currently available. For the latest list of valid ordering numbers for this product, please contact the nearest sales office.**

Copyright © 2013 SMSC or its subsidiaries. All rights reserved.

Circuit diagrams and other information relating to SMSC products are included as a means of illustrating typical applications. Consequently, complete information sufficient for construction purposes is not necessarily given. Although the information has been checked and is believed to be accurate, no responsibility is assumed for inaccuracies. SMSC reserves the right to make changes to specifications and product descriptions at any time without notice. Contact your local SMSC sales office to obtain the latest specifications before placing your product order. The provision of this information does not convey to the purchaser of the described semiconductor devices any licenses under any patent rights or other intellectual property rights of SMSC or others. All sales are expressly conditional on your agreement to the terms and conditions of the most recently dated version of SMSC's standard Terms of Sale Agreement dated before the date of your order (the "Terms of Sale Agreement"). The product may contain design defects or errors known as anomalies which may cause the product's functions to deviate from published specifications. Anomaly sheets are available upon request. SMSC products are not designed, intended, authorized or warranted for use in any life support or other application where product failure could cause or contribute to personal injury or severe property damage. Any and all such uses without prior written approval of an Officer of SMSC and further testing and/or modification will be fully at the risk of the customer. Copies of this document or other SMSC literature, as well as the Terms of Sale Agreement, may be obtained by visiting SMSC's website at <http://www.smsc.com>. SMSC is a registered trademark of Standard Microsystems Corporation ("SMSC"). Product names and company names are the trademarks of their respective holders.

The Microchip name and logo, and the Microchip logo are registered trademarks of Microchip Technology Incorporated in the U.S.A. and other countries.

**SMSC DISCLAIMS AND EXCLUDES ANY AND ALL WARRANTIES, INCLUDING WITHOUT LIMITATION ANY AND ALL IMPLIED WARRANTIES OF MERCHANTABILITY, FITNESS FOR A PARTICULAR PURPOSE, TITLE, AND AGAINST INFRINGEMENT AND THE LIKE, AND ANY AND ALL WARRANTIES ARISING FROM ANY COURSE OF DEALING OR USAGE OF TRADE. IN NO EVENT SHALL SMSC BE LIABLE FOR ANY DIRECT, INCIDENTAL, INDIRECT, SPECIAL, PUNITIVE, OR CONSEQUENTIAL DAMAGES; OR FOR LOST DATA, PROFITS, SAVINGS OR REVENUES OF ANY KIND; REGARDLESS OF THE FORM OF ACTION, WHETHER BASED ON CONTRACT; TORT; NEGLIGENCE OF SMSC OR OTHERS; STRICT LIABILITY; BREACH OF WARRANTY; OR OTHERWISE; WHETHER OR NOT ANY REMEDY OF BUYER IS HELD TO HAVE FAILED OF ITS ESSENTIAL PURPOSE, AND WHETHER OR NOT SMSC HAS BEEN ADVISED OF THE POSSIBILITY OF SUCH DAMAGES.**

## Table of Contents

<b>Chapter 1 General Description</b> .....	<b>7</b>
1.1 Block Diagram .....	8
<b>Chapter 2 Acronyms and Definitions</b> .....	<b>9</b>
2.1 Acronyms .....	9
2.2 Reference Documents .....	9
<b>Chapter 3 Ball Descriptions</b> .....	<b>10</b>
3.1 Ball Descriptions .....	11
3.2 Pin Assignments .....	15
3.3 Buffer Type Descriptions .....	16
<b>Chapter 4 Power Connections</b> .....	<b>17</b>
4.1 Integrated Power Regulators .....	17
4.1.1 3.3V Regulator .....	17
4.1.2 1.2V Regulator .....	17
4.2 Power Configurations .....	17
4.2.1 Single Supply Configurations .....	17
4.2.2 Dual Supply Configurations .....	17
4.3 Power Connection Diagrams .....	18
<b>Chapter 5 Modes of Operation</b> .....	<b>19</b>
5.1 Boot Sequence .....	21
5.1.1 Standby Mode .....	21
5.1.2 Hardware Initialization Stage (HW_INIT) .....	21
5.1.3 Battery Charging Initialization Stage (BC_INIT) .....	21
5.1.4 Wait REFCLK Stage (WAITREF) .....	21
5.1.5 Software Initialization Stage (SW_INIT) .....	21
5.1.6 SOC Configuration Stage (SOC_CFG) .....	22
5.1.7 Configuration Stage (CONFIG) .....	22
5.1.8 Battery Charger Detection Stage (CHGDET) .....	22
5.1.9 Hub Connect Stage (Hub.Connect) .....	22
5.1.10 Normal Mode .....	22
<b>Chapter 6 Device Configuration</b> .....	<b>24</b>
6.1 Configuration Method Selection .....	24
6.2 Customer Accessible Functions .....	24
6.2.1 USB Accessible Functions .....	24
6.2.2 SMBus Accessible Functions .....	26
6.3 Device Configuration Straps .....	27
6.3.1 SPI Speed Select (SPI_SPD_SEL) .....	27
<b>Chapter 7 Device Interfaces</b> .....	<b>28</b>
7.1 SPI Interface .....	28
7.1.1 Operation of the Hi-Speed Read Sequence .....	28
7.1.2 Operation of the Dual High Speed Read Sequence .....	29
7.1.3 32 Byte Cache .....	29
7.1.4 Interface Operation to the SPI Port When Not Performing Fast Reads .....	29

7.1.5 Erase Example	30
7.1.6 Byte Program Example	31
7.1.7 Command Only Program Example	32
7.1.8 JEDEC-ID Read Example	33
7.2 I2C Master Interface	33
7.2.1 I2C Message Format	33
7.2.2 Pull-Up Resistors for I2C	35
7.3 SMBus Slave Interface	35
7.3.1 SMBus Run Time Accessible Registers	35
7.3.2 Run Time SMBus Page Register	48
<hr/>	
<b>Chapter 8 Functional Descriptions</b>	<b>49</b>
8.1 Battery Charger Detection & Charging	49
8.1.1 Upstream Battery Charger Detection	49
8.1.2 Downstream Battery Charging	51
8.2 Flex Connect	53
8.2.1 Port Control	53
8.3 Resets	53
8.3.1 Power-On Reset (POR)	53
8.3.2 External Chip Reset (RESET_N)	53
8.3.3 USB Bus Reset	54
8.4 Reference Clock	54
8.5 Hub Connect (HUB_CONN)	55
8.6 Link Power Management (LPM)	55
8.7 Suspend (SUSPEND)	55
8.8 Interrupt Requests (IRQ_N)	56
8.9 Interrupt Output (INT_N)	56
<hr/>	
<b>Chapter 9 Operational Characteristics</b>	<b>57</b>
9.1 Absolute Maximum Ratings*	57
9.2 Operating Conditions**	58
9.3 Power Consumption	59
9.3.1 Operational / Unconfigured	59
9.3.2 Suspend / Standby	59
9.4 DC Specifications	61
9.5 AC Specifications	62
9.5.1 Power-On Configuration Strap Valid Timing	62
9.5.2 Reset and Configuration Strap Timing	63
9.5.3 USB Timing	63
9.5.4 HSIC Timing	63
9.5.5 SMBus Timing	63
9.5.6 I2C Timing	63
9.5.7 SPI Timing	64
9.6 Clock Specifications	65
9.6.1 External Reference Clock (REFCLK)	65
<hr/>	
<b>Chapter 10 Package Outline</b>	<b>66</b>
<hr/>	
<b>Chapter 11 Datasheet Revision History</b>	<b>68</b>

## List of Figures

Figure 1.1	System Block Diagram . . . . .	8
Figure 3.1	30-WLCSP Pin Assignments . . . . .	10
Figure 4.1	Power Connections . . . . .	18
Figure 5.1	Hub Operational Mode Flowchart . . . . .	20
Figure 7.1	SPI Hi-Speed Read Sequence . . . . .	28
Figure 7.2	SPI Dual Hi-Speed Read Sequence . . . . .	29
Figure 7.3	SPI Erase Sequence . . . . .	30
Figure 7.4	SPI Byte Program Sequence . . . . .	31
Figure 7.5	SPI Command Only Sequence . . . . .	32
Figure 7.6	SPI JEDEC-ID Read Sequence . . . . .	33
Figure 7.7	I2C Sequential Access Write Format . . . . .	34
Figure 7.8	I2C Sequential Access Read Format . . . . .	34
Figure 8.1	Battery Charging External Power Supply . . . . .	51
Figure 9.1	Single/Dual Supply Rise Time Models . . . . .	58
Figure 9.2	Power-On Configuration Strap Valid Timing . . . . .	62
Figure 9.3	RESET_N Configuration Strap Timing . . . . .	63
Figure 9.4	SPI Timing . . . . .	64
Figure 10.1	30-WLCSP Package . . . . .	66
Figure 10.2	30-WLCSP Recommended Land Pattern . . . . .	67

## List of Tables

Table 3.1	Ball Descriptions	11
Table 3.2	30-WLCSP Package Ball Assignments	15
Table 3.3	Buffer Types	16
Table 6.1	SPI_SPD_SEL Configuration Definitions	27
Table 7.1	SMBus Accessible Run Time Registers	35
Table 7.2	Upstream Battery Charging Detection Control Register	36
Table 7.3	Upstream Custom Battery Charger Control Register	37
Table 7.4	Upstream Custom Battery Charger Status Register	38
Table 7.5	Port Power Status Register	38
Table 7.6	OCS Status Register	39
Table 7.7	Serial Port Interrupt Status Register	39
Table 7.8	Serial Port Interrupt Mask Register	40
Table 7.9	Upstream Battery Charger Mode Register	41
Table 7.10	Charge Detect Mask Register	42
Table 7.11	Configure Portable Hub Register	43
Table 7.12	Port Select and Low-Power Suspend Register	43
Table 7.13	Connect Configuration Register	44
Table 7.14	Upstream (Port 0) Battery Charging Control 1 Register	45
Table 7.15	Upstream (Port 0) Battery Charging Control 2 Register	46
Table 7.16	Upstream (Port 0) Battery Charging Run Time Control Register	47
Table 7.17	Upstream (Port 0) Battery Charging Detect Register	47
Table 7.18	SMBus Page Register	48
Table 8.1	Chargers Compatible with Upstream Detection	49
Table 8.2	CHRGDET[1:0] Configuration Definitions	50
Table 8.3	Downstream Port Types	52
Table 8.4	Default Reference Clock Frequencies	54
Table 8.5	LPM State Definitions	55
Table 9.1	Operational/Unconfigured Power Consumption	59
Table 9.2	Single Supply Suspend/Standby Power Consumption	59
Table 9.3	Dual Supply Suspend/Standby Power Consumption	60
Table 9.4	DC Electrical Characteristics	61
Table 9.5	Power-On Configuration Strap Valid Timing	62
Table 9.6	RESET_N Configuration Strap Timing	63
Table 9.7	SPI Timing Values (30 MHz Operation)	64
Table 9.8	SPI Timing Values (60 MHz Operation)	65
Table 10.1	30-WLCSP Dimensions	66
Table 11.1	Revision History	68

## Chapter 1 General Description

The SMSC USB3613 is a low-power, OEM configurable, MTT (Multi-Transaction Translator) USB 2.0 hub controller with 3 downstream ports and advanced features for embedded USB applications. The USB3613 is fully compliant with the USB 2.0 Specification, USB 2.0 Link Power Management Addendum, High-Speed Inter-Chip (HSIC) USB Electrical Specification Revision 1.0, and will attach to an upstream port as a Hi-Speed hub. The 3-port hub supports Low-Speed, Full-Speed, and Hi-Speed downstream devices on all of the enabled downstream (non-HSIC) ports. HSIC ports support only Hi-Speed operation.

The USB3613 has been specifically optimized for mobile embedded applications. The pin-count has been reduced by optimizing the USB3613 for mobile battery-powered embedded systems where power consumption, small package size, and minimal BOM are critical design requirements. Standby mode power has been minimized and reference clock inputs can be aligned to the customer's specific mobile application. Flexible power rail options ease integration into energy efficient designs by allowing the USB3613 to be powered in a single-source (VBUS, VBAT, 3.3V) or a dual-source (VBAT + 1.8, 3.3V + 1.8) configuration. Additionally, all required resistors on the USB ports are integrated into the hub, including all series termination and pull-up/pull-down resistors on the D+ and D- pins.

The USB3613 supports both upstream battery charger detection and downstream battery charging. The USB3613 integrated battery charger detection circuitry supports the USB-IF Battery Charging (BC1.2) detection method and most Apple devices. These circuits are used to detect the attachment and type of a USB charger and provide an interrupt output to indicate charger information is available to be read from the device's status registers via the serial interface. The USB3613 provides the battery charging handshake and supports the following USB-IF BC1.2 charging profiles:

- DCP: Dedicated Charging Port (Power brick with no data)
- CDP: Charging Downstream Port (1.5A with data)
- SDP: Standard Downstream Port (0.5A with data)
- Custom profiles loaded via SMBus or OTP

The USB3613 provides an additional USB endpoint dedicated for use as a USB to I<sup>2</sup>C/SPI interface, allowing external circuits or devices to be monitored, controlled, or configured via the USB interface. Additionally, the USB3613 includes many powerful and unique features such as:

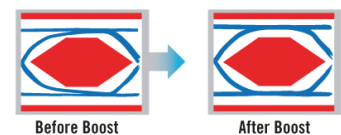
**FlexConnect**, which provides flexible connectivity options. The USB3613's downstream port 1 can be swapped with the upstream port, allowing master capable devices to control other devices on the hub.

**MultiTRAK™ Technology**, which utilizes a dedicated Transaction Translator (TT) per port to maintain consistent full-speed data throughput regardless of the number of active downstream connections. MultiTRAK™ outperforms conventional USB 2.0 hubs with a single TT in USB full-speed data transfers.

**PortMap**, which provides flexible port mapping and disable sequences. The downstream ports of a USB3613 hub can be reordered or disabled in any sequence to support multiple platform designs with minimum effort. For any port that is disabled, the USB3613 hub controllers automatically reorder the remaining ports to match the USB host controller's port numbering scheme.

**PortSwap**, which adds per-port programmability to USB differential-pair pin locations. PortSwap allows direct alignment of USB signals (D+/D-) to connectors to avoid uneven trace length or crossing of the USB differential signals on the PCB.

**PHYBoost**, which provides programmable levels of Hi-Speed USB signal drive strength in the downstream port transceivers. PHYBoost attempts to restore USB signal integrity in a compromised system environment. The graphic on the right shows an example of Hi-Speed USB eye diagrams before and after PHYBoost signal integrity restoration.



**VariSense**, which controls the USB receiver sensitivity enabling programmable levels of USB signal receive sensitivity. This capability allows operation in a sub-optimal system environment, such as when a captive USB cable is used.

The USB3613 is available in commercial (0°C to +70°C) and industrial (-40°C to +85°C) temperature range versions.

## 1.1 Block Diagram

Figure 1.1 details the internal block diagram of the USB3613.

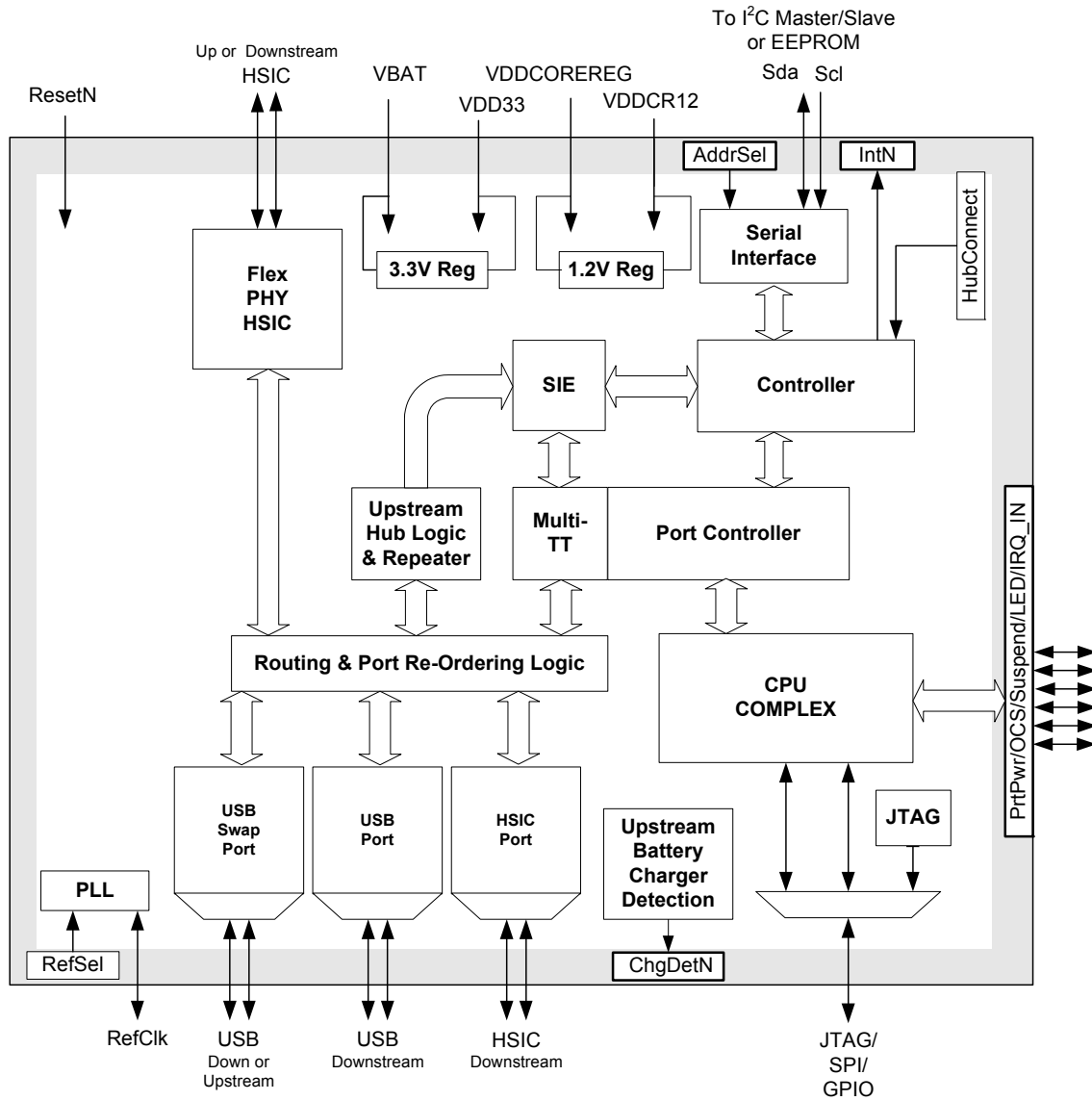


Figure 1.1 System Block Diagram



## Chapter 2 Acronyms and Definitions

### 2.1 Acronyms

<b>EOP:</b>	End of Packet
<b>EP:</b>	Endpoint
<b>FS:</b>	Full-Speed
<b>GPIO:</b>	General Purpose I/O (that is input/output to/from the device)
<b>HS:</b>	Hi-Speed
<b>HSOS:</b>	High Speed Over Sampling
<b>HSIC:</b>	High-Speed Inter-Chip
<b>I<sup>2</sup>C®:</b>	Inter-Integrated Circuit
<b>LS:</b>	Low-Speed
<b>OTP:</b>	One Time Programmable
<b>PCB:</b>	Printed Circuit Board
<b>PCS:</b>	Physical Coding Sublayer
<b>PHY:</b>	Physical Layer
<b>SMBus:</b>	System Management Bus
<b>UUID:</b>	Universally Unique IDentification

### 2.2 Reference Documents

1. *UNICODE UTF-16LE For String Descriptors* USB Engineering Change Notice, December 29th, 2004, <http://www.usb.org>
2. *Universal Serial Bus Specification*, Revision 2.0, April 27th, 2000, <http://www.usb.org>
3. *Battery Charging Specification*, Revision 1.2, Dec. 07, 2010, <http://www.usb.org>
4. *High-Speed Inter-Chip USB Electrical Specification*, Version 1.0, Sept. 23, 2007, <http://www.usb.org>
5. *I<sup>2</sup>C-Bus Specification*, Version 1.1, <http://www.nxp.com>
6. *System Management Bus Specification*, Version 1.0, <http://smbus.org/specs>

**SMSC MAKES NO WARRANTIES, EXPRESS, IMPLIED, OR STATUTORY, IN REGARD TO INFRINGEMENT OR OTHER VIOLATION OF INTELLECTUAL PROPERTY RIGHTS. SMSC DISCLAIMS AND EXCLUDES ANY AND ALL WARRANTIES AGAINST INFRINGEMENT AND THE LIKE.**

No license is granted by SMSC expressly, by implication, by estoppel or otherwise, under any patent, trademark, copyright, mask work right, trade secret, or other intellectual property right. \*\*To obtain this software program the appropriate SMSC Software License Agreement must be executed and in effect. Forms of these Software License Agreements may be obtained by contacting SMSC.

## Chapter 3 Ball Descriptions

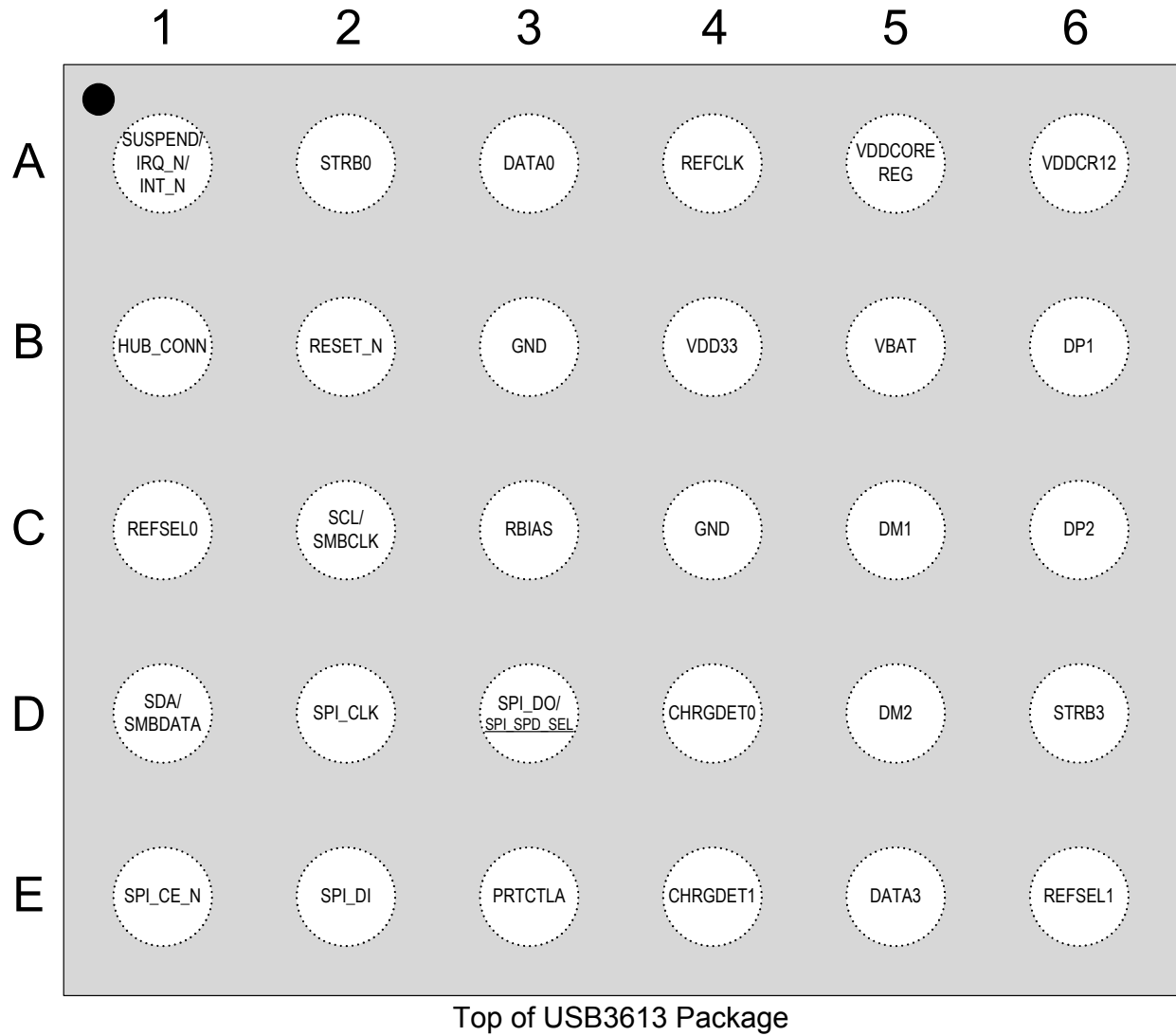


Figure 3.1 30-WLCSP Pin Assignments

## 3.1 Ball Descriptions

This section provides a detailed description of each ball. The signals are arranged in functional groups according to their associated interface.

The “\_N” symbol in the signal name indicates that the active, or asserted, state occurs when the signal is at a low voltage level. For example, RESET\_N indicates that the reset signal is active low. When “\_N” is not present after the signal name, the signal is asserted when at the high voltage level.

The terms assertion and negation are used exclusively. This is done to avoid confusion when working with a mixture of “active low” and “active high” signals. The term assert, or assertion, indicates that a signal is active, independent of whether that level is represented by a high or low voltage. The term negate, or negation, indicates that a signal is inactive.

**Note:** The buffer type for each signal is indicated in the BUFFER TYPE column of [Table 3.1](#). A description of the buffer types is provided in [Section 3.3](#).

**Table 3.1 Ball Descriptions**

NUM BALLS	NAME	SYMBOL	BUFFER TYPE	DESCRIPTION
<b>USB/HSIC INTERFACES</b>				
1	Upstream HSIC Data (Flex Port 0)	DATA0	HSIC	Upstream HSIC Port 0 DATA signal. <b>Note:</b> The upstream Port 0 signals can be optionally swapped with the downstream Port 1 signals.
1	Upstream HSIC Strobe (Flex Port 0)	STRB0	HSIC	Upstream HSIC Port 0 STROBE signal. <b>Note:</b> The upstream Port 0 signals can be optionally swapped with the downstream Port 1 signals.
1	Downstream USB D+ (Swap Port 1)	DP1	AIO	Downstream USB Port 1 D+ data signal. <b>Note:</b> The downstream Port 1 signals can be optionally swapped with the upstream Port 0 signals.
1	Downstream USB D- (Swap Port 1)	DM1	AIO	Downstream USB Port 1 D- data signal. <b>Note:</b> The downstream Port 1 signals can be optionally swapped with the upstream Port 0 signals.
1	Downstream USB D+ (Port 2)	DP2	AIO	Downstream USB Port 2 D+ data signal.
1	Downstream USB D- (Port 2)	DM2	AIO	Downstream USB Port 2 D- data signal.
1	Downstream HSIC Data (Port 3)	DATA3	HSIC	Downstream HSIC Port 3 DATA signal.
1	Downstream HSIC Strobe (Port 3)	STRB3	HSIC	Downstream HSIC Port 3 STROBE signal.

Table 3.1 Ball Descriptions (continued)

NUM BALLS	NAME	SYMBOL	BUFFER TYPE	DESCRIPTION
<b>I<sup>2</sup>C/SMBUS INTERFACE</b>				
1	I <sup>2</sup> C Serial Clock Input	SCL	I_SMB	I <sup>2</sup> C serial clock input.
	SMBus Clock	SMBCLK	I_SMB	SMBus serial clock input.
1	I <sup>2</sup> C Serial Data	SDA	IS/OD8	I <sup>2</sup> C bidirectional serial data.
	SMBus Serial Data	SMBDATA	IS/OD8	SMBus bidirectional serial data.
<b>SPI MASTER INTERFACE</b>				
1	SPI Chip Enable Output	SPI_CE_N	O12	Active-low SPI chip enable output. <b>Note:</b> If the SPI is enabled, this pin will be driven high in powerdown states.
1	SPI Clock Output	SPI_CLK	O12	SPI clock output
1	SPI Data Output	SPI_DO	O12	SPI data output
	SPI Speed Select Configuration Strap	<u>SPI_SPD_SEL</u>	IS (PD)	This strap is used to select the speed of the SPI. 0 = 30MHz (default) 1 = 60MHz <b>Note:</b> If the latched value on reset is 1, this pin is tri-stated when the chip is in the suspend state. If the latched value on reset is 0, this pin is driven low during a suspend state. See <a href="#">Note 3.2</a> for more information on configuration straps.
1	SPI Data Input	SPI_DI	IS (PD)	SPI data input
<b>MISC.</b>				
1	Reference Clock Input	REFCLK	ICLK	This signal is the reference clock input. The clock input frequency is configured via REFSEL[1:0]. Refer to <a href="#">Section 8.4, "Reference Clock,"</a> on <a href="#">page 54</a> for additional information.
1	Reference Clock Select 0 Input	REFSEL0	IS	This signal, combined with REFSEL1, selects the reference clock input frequency. The reference select input must be set to correspond to the frequency applied to the REFCLK input. Refer to <a href="#">Section 8.4, "Reference Clock,"</a> on <a href="#">page 54</a> for additional information.

Table 3.1 Ball Descriptions (continued)

NUM BALLS	NAME	SYMBOL	BUFFER TYPE	DESCRIPTION
1	Reference Clock Select 1 Input	REFSEL1	IS	This signal, combined with REFSELO, selects the reference clock input frequency. The reference select input must be set to correspond to the frequency applied to the REFCLK input. Refer to <a href="#">Section 8.4, "Reference Clock,"</a> on page 54 for additional information.
1	System Reset Input	RESET_N	I_RST	This active-low signal allows external hardware to reset the device. <b>Note:</b> The active-low pulse must be at least 5 $\mu$ s wide. Refer to <a href="#">Section 8.3.2, "External Chip Reset (RESET_N),"</a> on page 53 for additional information.
1	External USB Transceiver Bias Resistor	RBIAS	AI	A 12.0k $\Omega$ (+/- 1%) resistor is attached from ground to this pin to set the transceiver's internal bias settings.
1	Hub Connect Input	HUB_CONN	IS	This signal is used to control the hub communication stage. The device will transition to the hub communications stage when this pin is asserted high. Two methods of use may be used:  <b>Tie to +3.3V:</b> The hub will automatically transition to the communications stage when configuration is complete.  <b>Transition from low to high:</b> The hub will transition to the communications stage after configuration is complete and this signal transitions from low to high.  Refer to <a href="#">Section 8.5, "Hub Connect (HUB_CONN),"</a> on page 55 for additional information.
1	Charge Detect 0 Output	CHRGDET0	O8	This signal, in conjunction with CHRGDET1, can be configured to communicate information that can affect the level of current that the system may draw from the upstream USB VBUS wire. Refer to <a href="#">Section 8.1.1.1, "Charger Detection (CHRGDET[1:0]),"</a> on page 50 for additional information.
1	Charge Detect 1 Output	CHRGDET1	O8	This signal, in conjunction with CHRGDET0, can be configured to communicate information that can affect the level of current that the system may draw from the upstream USB VBUS wire. Refer to <a href="#">Section 8.1.1.1, "Charger Detection (CHRGDET[1:0]),"</a> on page 50 for additional information.

Table 3.1 Ball Descriptions (continued)

NUM BALLS	NAME	SYMBOL	BUFFER TYPE	DESCRIPTION
1	Suspend Output	SUSPEND	PU	This signal is used to indicate that the entire hub has entered the USB suspend state and that VBUS current consumption should be reduced in accordance with the USB specification. Refer to <a href="#">Section 8.7, "Suspend (SUSPEND)," on page 55</a> for additional information. <b>Note:</b> SUSPEND must be enabled via the Protouch configuration tool.
	Interrupt Request Input	IRQ_N	IS	This active-low signal allows external hardware to interrupt the device. Refer to <a href="#">Section 8.8, "Interrupt Requests (IRQ_N)," on page 56</a> for additional information.
	Interrupt Output	INT_N	OD8	This active-low signal allows the device to output an interrupt to external hardware. Refer to <a href="#">Section 8.9, "Interrupt Output (INT_N)," on page 56</a> for additional information.
1	USB Port Control	PRTCTLA	OD8/IS (PU)	This pin functions as both the downstream USB port power enable output (PRTPWRA) and the downstream USB port over-current sense input (OCSA_N).
<b>POWER</b>				
1	Battery Power Supply Input	VBAT	P	Battery power supply input. When VBAT is connected directly to a +3.3V supply from the system, the internal +3.3V regulator runs in dropout and regulator power consumption is eliminated. A 4.7 $\mu$ F (<1 $\Omega$ ESR) capacitor to ground is required for regulator stability. The capacitor should be placed as close as possible to the device. Refer to <a href="#">Chapter 4, "Power Connections," on page 17</a> for power connection information.
1	+3.3V Power Supply	VDD33	P	+3.3V power supply. A 1.0 $\mu$ F (<1 $\Omega$ ESR) capacitor to ground is required for regulator stability. The capacitor should be placed as close as possible to the device. Refer to <a href="#">Chapter 4, "Power Connections," on page 17</a> for power connection information.
1	+1.8-3.3V Core Power Supply Input	VDDCOREREG	P	+1.8-3.3V core power supply input to internal +1.2V regulator. This pin may be connected to VDD33 for single supply applications when VBAT equals +3.3V. Running in a dual supply configuration with VDDCOREREG at a lower voltage, such as +1.8V, may reduce overall system power consumption. Refer to <a href="#">Chapter 4, "Power Connections," on page 17</a> for power connection information.
1	+1.2V Core Power Supply	VDDCR12	P	+1.2V core power supply. A 1.0 $\mu$ F (<1 $\Omega$ ESR) capacitor to ground is required for regulator stability. The capacitor should be placed as close as possible to the device. Refer to <a href="#">Chapter 4, "Power Connections," on page 17</a> for power connection information.

**Table 3.1 Ball Descriptions (continued)**

NUM BALLS	NAME	SYMBOL	BUFFER TYPE	DESCRIPTION
2	Ground	GND	P	Ground

**Note 3.2** Configuration strap values are latched on Power-On Reset (POR) and the rising edge of RESET\_N (external chip reset). Configuration straps are identified by an underlined symbol name. Signals that function as configuration straps must be augmented with an external resistor when connected to a load. Refer to [Section 6.3, "Device Configuration Straps,"](#) on page 27 for additional information.

## 3.2 Pin Assignments

**Table 3.2 30-WLCSP Package Ball Assignments**

BALL	1	2	3	4	5	6
<b>A</b>	SUSPEND/ IRQ_N/INT_N	STRB0	DATA0	REFCLK	VDDCOREREG	VDDCR12
<b>B</b>	HUB_CONN	RESET_N	GND	VDD33	VBAT	DP1
<b>C</b>	REFSEL0	SCL/ SMBCLK	RBIAS	GND	DM1	DP2
<b>D</b>	SDA/ SMBDATA	SPI_CLK	SPI_DO/ <u>SPI_SPD_SEL</u>	CHRGDET0	DM2	STRB3
<b>E</b>	SPI_CE_N	SPI_DI	PRTCTLA	CHRGDET1	DATA3	REFSEL1

### 3.3 Buffer Type Descriptions

Table 3.3 Buffer Types

BUFFER TYPE	DESCRIPTION
IS	Schmitt-triggered input
I_RST	Reset Input
I_SMB	I <sup>2</sup> C/SMBus Clock Input
O8	Output with 8 mA sink and 8 mA source
OD8	Open-drain output with 8 mA sink
O12	Output with 12 mA sink and 12 mA source
HSIC	<i>High-Speed Inter-Chip (HSIC) USB Specification, Version 1.0</i> compliant input/output
PU	50 $\mu$ A (typical) internal pull-up. Unless otherwise noted in the pin description, internal pull-ups are always enabled. <b>Note:</b> Internal pull-up resistors prevent unconnected inputs from floating. Do not rely on internal resistors to drive signals external to the device. When connected to a load that must be pulled high, an external resistor must be added.
PD	50 $\mu$ A (typical) internal pull-down. Unless otherwise noted in the pin description, internal pull-downs are always enabled. <b>Note:</b> Internal pull-down resistors prevent unconnected inputs from floating. Do not rely on internal resistors to drive signals external to the device. When connected to a load that must be pulled low, an external resistor must be added.
AIO	Analog bi-directional
ICLK	Crystal oscillator input pin
P	Power pin



## Chapter 4 Power Connections

### 4.1 Integrated Power Regulators

The integrated 3.3V and 1.2V power regulators provide flexibility to the system in providing power to the device. Several different configurations are allowed in order to align the power structure to supplies available in the system.

The regulators are controlled by RESET\_N. When RESET\_N is brought high, the 3.3V regulator will turn on. When RESET\_N is brought low the 3.3V regulator will turn off.

#### 4.1.1 3.3V Regulator

The device has an integrated regulator to convert from VBAT to 3.3V.

#### 4.1.2 1.2V Regulator

The device has an integrated regulator to convert from a variable voltage input on VDDCOREREG to 1.2V. The 1.2V regulator is tolerant to the presence of low voltage (~0V) on the VDDCOREREG pin in order to support system power solutions where a supply is not always present in low power states.

The 1.2V regulator supports an input voltage range consistent with a 1.8V input in order to reduce power consumption in systems which provide multiple power supply levels. In addition, the 1.2V regulator supports an input voltage up to 3.3V for systems which provide only a single power supply. The device will support operation where the 3.3V regulator output can drive the 1.2V regulator input such that VBAT is the only required supply.

### 4.2 Power Configurations

The device supports operation with no back current when power is connected in each of the following configurations. Power connection diagrams for these configurations are included in [Section 4.3, "Power Connection Diagrams,"](#) on page 18.

#### 4.2.1 Single Supply Configurations

##### 4.2.1.1 VBAT Only

VBAT must be tied to the VBAT system supply. VDD33 and VDDCOREREG must be tied together on the board. In this configuration the 3.3V and 1.2V regulators will be active.

##### 4.2.1.2 3.3V Only

VBAT must be tied to the 3.3V system supply. VDD33 and VDDCOREREG must be tied together on the board. In this configuration the 3.3V regulator will operate in dropout mode and the 1.2V regulator will be active.

#### 4.2.2 Dual Supply Configurations

##### 4.2.2.1 VBAT + 1.8V

VBAT must be tied to the VBAT system supply. VDDCOREREG must be tied to the 1.8V system supply. In this configuration, the 3.3V regulator and the 1.2V regulator will be active.

#### 4.2.2.2 3.3V + 1.8V

VBAT must be tied to the 3.3V system supply. VDDCOREREG must be tied to the 1.8V system supply. In this configuration the 3.3V regulator will operate in dropout mode and the 1.2V regulator will be active.

### 4.3 Power Connection Diagrams

Figure 4.1 illustrates the power connections for the USB3613 with various power supply configurations.

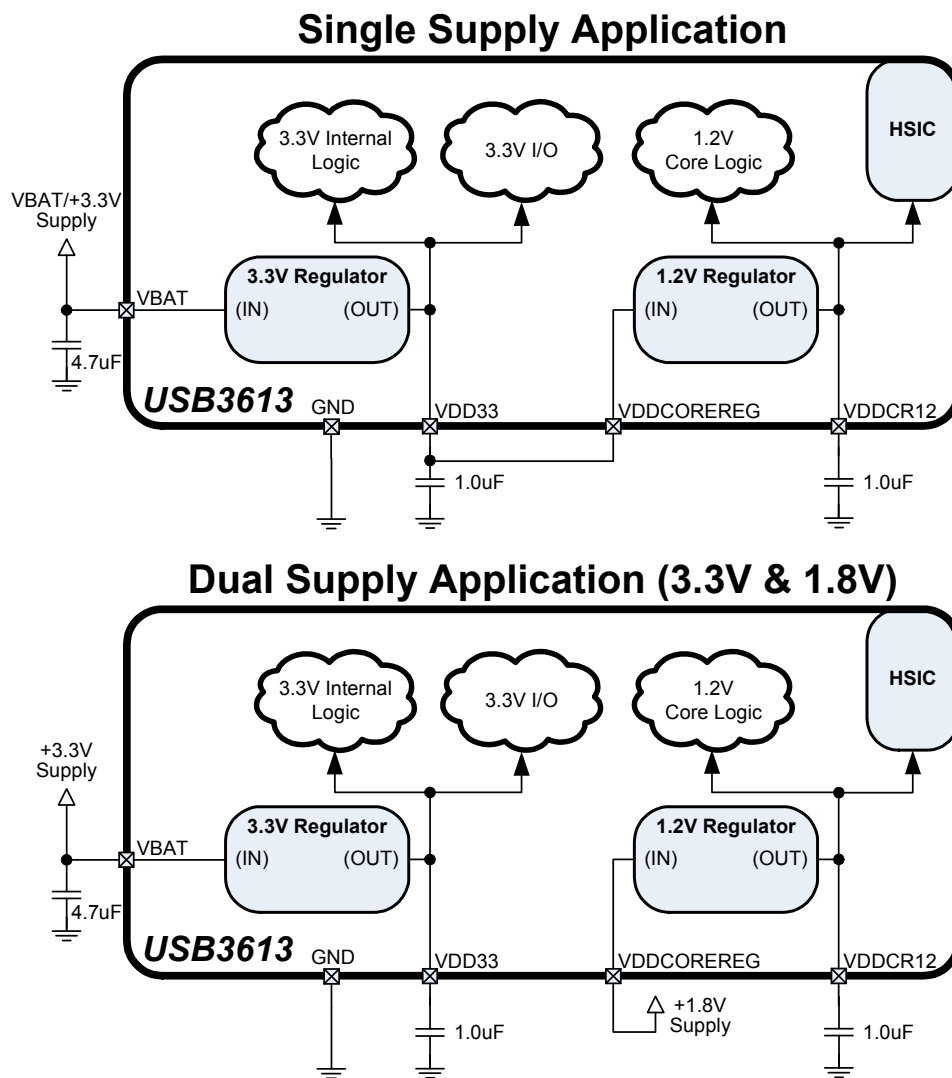


Figure 4.1 Power Connections

## Chapter 5 Modes of Operation

The device provides two main modes of operation: Standby Mode and Hub Mode. The operating mode of the device is selected by setting values on primary inputs according to the table below.

**Table 5.1 Controlling Modes of Operation**

RESET_N INPUT	RESULTING MODE	SUMMARY
0	<b>Standby</b>	<b>Lowest Power Mode:</b> No functions are active other than monitoring the RESET_N input. All port interfaces are high impedance. All regulators are powered off.
1	<b>Hub</b>	<b>Full Feature Mode:</b> Device operates as a configurable USB hub with battery charger detection. Power consumption is based on the number of active ports, their speed, and amount of data transferred.

**Note:** Refer to [Section 8.3.2, "External Chip Reset \(RESET\\_N\),"](#) on page 53 for additional information on RESET\_N.

The flowchart in [Figure 5.1](#) shows the modes of operation. It also shows how the device traverses through the Hub mode stages (shown in bold.) The flow of control is dictated by control register bits shown in italics as well as other events such as availability of a reference clock. The remaining sections in this chapter provide more detail on each stage and mode of operation.

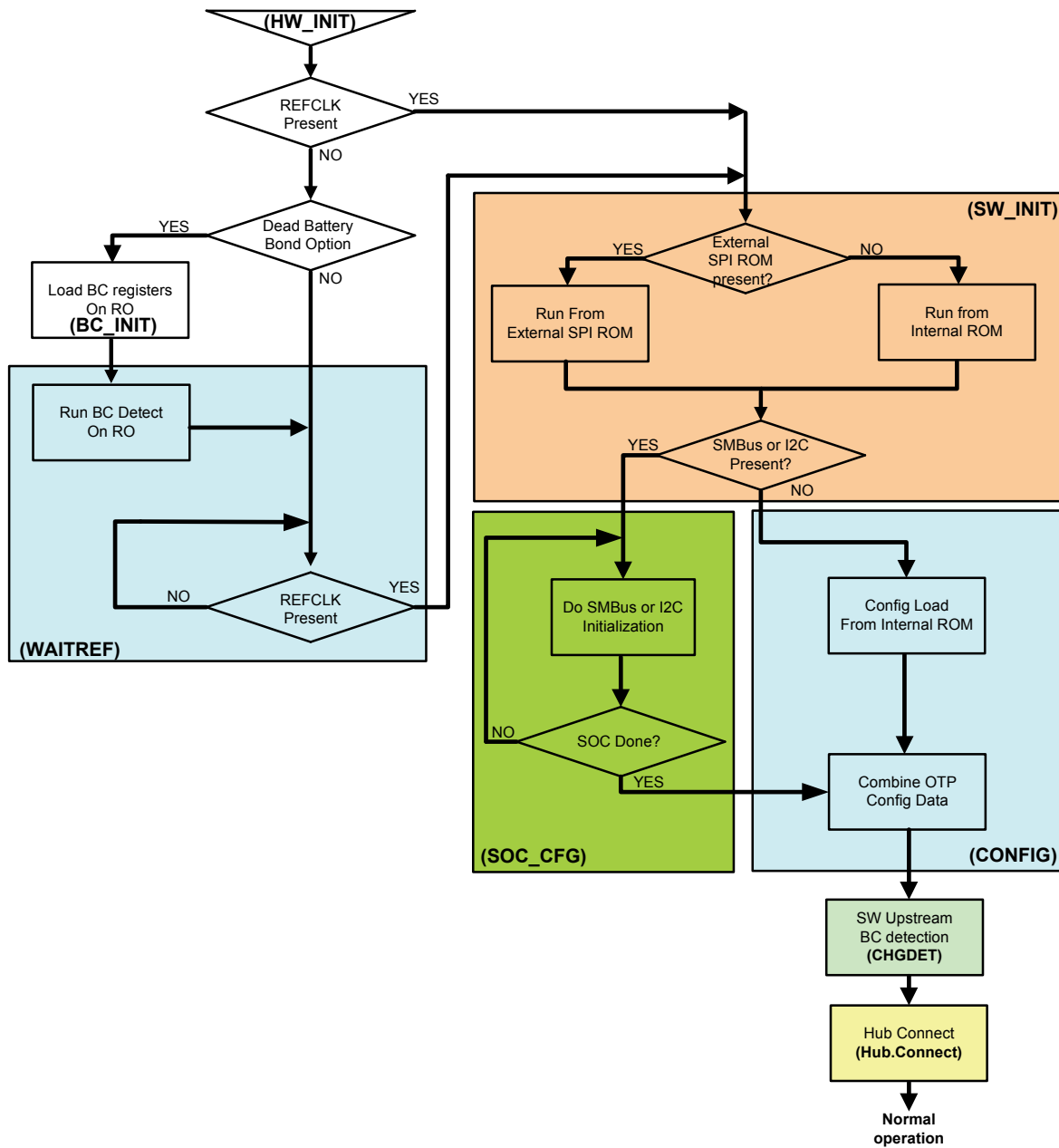


Figure 5.1 Hub Operational Mode Flowchart

## 5.1 Boot Sequence

### 5.1.1 Standby Mode

If the external hardware reset is asserted, the hub will be in Standby Mode. This mode provides a very low power state for maximum power efficiency when no signaling is required. This is the lowest power state. In Standby Mode all internal regulators are powered off, the PLL is not running, and core logic is powered down in order to minimize power consumption. Because core logic is powered off, no configuration settings are retained in this mode and must be re-initialized after RESET\_N is negated high.

### 5.1.2 Hardware Initialization Stage (HW\_INIT)

The first stage is the initialization stage and occurs on the negation of RESET\_N. In this stage the 1.2V regulator is enabled and stabilizes, internal logic is reset, and the PLL locks if a valid REFCLK is supplied. Configuration registers are initialized to their default state and strap input values are latched. The device will complete initialization and automatically enter the next stage. Because the digital logic within the device is not yet stable, no communication with the device using the SMBus is possible. Configuration registers are initialized to their default state.

If there is no REFCLK present, the next state is BC\_INIT. If there is a REFCLK present, the next state is SW\_INIT.

### 5.1.3 Battery Charging Initialization Stage (BC\_INIT)

This state is entered to deal with the dead battery condition. The processor Ring Oscillator (RO) is enabled. The processor is woken up for a short period. In that period, the processor reads the OTP to determine what type(s) of upstream battery charging detection will be done. Based on the settings, the firmware will program the upstream battery charging registers appropriately.

The processor loads the battery charging registers with the values out of OTP memory. Once the processor has initialized the BC registers, it turns off the ring oscillator. If the hardware detects the presence of REFCLK, it switches over to regular operation of the PLL.

### 5.1.4 Wait REFCLK Stage (WAITREF)

In this stage, the reference clock is checked for activity. If the reference clock is active, the device will continue to the Hub configuration stage. If the reference clock is not active but battery charger detection is enabled, the detection sequence will begin while operating on an internal ring oscillator.

If the PLL locks while battery charger detection is still in progress, the sequence will be aborted until the battery charger detection stage. If aborted, no results are captured. If battery charger detection completes, the results of the battery charger detection may be communicated through the INT\_N pin function, CHRGDET pin function or neither based on the default ROM settings.

If the reference clock is provided before entering hub mode, the device will transition to the Software Initialization stage (SW\_INIT) without pausing in the WAITREF stage. Otherwise, the device will transition to the SW\_INIT stage once a valid reference clock is supplied and the PLL has locked. If the hardware detects the presence of REFCLK, it switches over to regular operation of the PLL.

**Note:** During this stage the SMBus is not functional.

### 5.1.5 Software Initialization Stage (SW\_INIT)

Once the hardware is initialized, the firmware can begin to execute. The internal firmware checks for an external SPI ROM. The firmware looks for an external SPI flash device that contains a valid

signature of "2DFU" (device firmware upgrade) beginning at address 0xFFFFA. If a valid signature is found, then the external ROM is enabled and the code execution begins at address 0x0000 in the external SPI device. If a valid signature is not found, then execution continues from internal ROM. SPI ROMs used with the device must be 1 Mbit and support either 30 MHz or 60 MHz. The frequency used is set using the `SPI_SPD_SEL` configuration strap. Both 1- and 2-bit SPI operation is supported. For optimum throughput, a 2-bit SPI ROM is recommended. Both mode 0 and mode 3 SPI ROMs are also supported. Refer to [Section 6.3.1, "SPI Speed Select \(SPI\\_SPD\\_SEL\)," on page 27](#) for additional information on selection of the SPI speed. For all other configurations, the firmware checks for the presence of an external I<sup>2</sup>C/SMBus. It does this by asserting two pull down resistors on the data and clock lines of the bus. The pull downs are typically 50Kohm. If there are 10Kohm pull-ups present, the device becomes aware of the presence of an external SMBus/I<sup>2</sup>C bus. If a bus is detected, the firmware transitions to the SOC\_CFG state.

### 5.1.6 SOC Configuration Stage (SOC\_CFG)

In this stage, the SOC may modify any of the default configuration settings specified in the integrated ROM such as USB device descriptors, or port electrical settings, and control features such as upstream battery charging detection.

There is no time limit. In this stage the firmware will wait indefinitely for the SMBus/I<sup>2</sup>C configuration. When the SOC has completed configuring the device, it must write to register 0xFF to end the configuration.

### 5.1.7 Configuration Stage (CONFIG)

Once the SOC has indicated that it is done with configuration, then all the configuration data is combined. The default data, the SOC configuration data, the OTP data are all combined in the firmware and device is programmed.

After the device is fully configured, it will go idle and then into suspend if there is no VBUS or Hub.Connect present. Once VBUS is present, and upstream battery charging is enabled, the device will transition to the Battery Charger Detection Stage (CHGDET). If VBUS is present, and upstream battery charging is not enabled, the device will transition to the Connect (Hub.Connect) stage.

### 5.1.8 Battery Charger Detection Stage (CHGDET)

After configuration, if enabled, the device enters the Battery Charger Detection Stage. If the battery charger detection feature was disabled during the CONFIG stage, or the HUB\_CONN pin is asserted, the device will immediately transition to the Hub Connect (Hub.Connect) stage. If the battery charger detection feature remains enabled, the battery charger detection sequence is started automatically.

If a charger is detected during this stage, the device asserts the CHRGDET[1:0] output pin function if the charger type identified is not masked. If the charger detection remains enabled, the device will transition to the Hub.Connect stage if using the hardware detection mechanism.

### 5.1.9 Hub Connect Stage (Hub.Connect)

Once the CHGDET stage is completed, the device enters the Hub.Connect stage. USB connect can be initiated by asserting the HUB\_CONN pin high. The device will remain in the Hub.Connect stage indefinitely until the HUB\_CONN pin is deasserted.

### 5.1.10 Normal Mode

Lastly the SOC enters the Normal Mode of operation. In this stage, full USB operation is supported under control of the USB Host on the upstream port. The device will remain in the normal mode until

the operating mode is changed by the system. The only device registers accessible to the SOC are the run time registers described in [Section 7.3.1, "SMBus Run Time Accessible Registers," on page 35](#).

If RESET\_N is asserted low, then Standby Mode is entered. The device may then be placed into any of the designated Hub stages. Asserting the soft disconnect on the upstream port will cause the Hub to return to the Hub.Connect stage until the soft disconnect is negated. If the HUB\_CONN pin transitions from asserted to negated, the device will return to the Hub.Connect stage.

To save power, communication over the SMBus is not supported while in USB Suspend. The system can, however, command the device to wake up by the asserting the IRQ\_N pin. The system can prevent the device from going to sleep by asserting the ClkSusp control bit of the [Configure Portable Hub Register](#) anytime before entering USB Suspend. While the device is kept awake during USB Suspend, it will provide the SMBus functionality at the expense of not meeting USB requirements for average suspend current consumption.

## Chapter 6 Device Configuration

The device supports a large number of features (some mutually exclusive), and must be configured in order to correctly function when attached to a USB host controller. The hub can be configured either internally or externally depending on the implemented interface.

SMSC provides a comprehensive software programming tool, Pro-Touch, for configuring the USB3613 functions, registers and OTP memory. All configuration is to be performed via the Pro-Touch programming tool. For additional information on the Pro-Touch programming tool, contact your local SMSC sales representative.

### 6.1 Configuration Method Selection

The hub will interface to external memory depending on the configuration of the device pins associated with each interface type. The device will first check whether an external SPI ROM is present. If present, the device will operate entirely from the external ROM. When an external SPI ROM is not present, the device will check whether the SMBus is configured. When the SMBus is enabled, it can be used to configure the internal device registers via the XDATA address space, or to program the internal OTP memory. If no external options are detected, the device will operate using the internal default and configuration strap settings. The order in which device configuration is attempted is summarized below:

1. SPI (Reading the configuration from an SPI ROM)
2. SMBus (either writing the configuration registers in the XDATA address space, or to OTP)
3. Internal default settings (with or without configuration strap over-rides)

**Note:** Refer to [Chapter 7, "Device Interfaces," on page 28](#) for detailed information on each device configuration interface.

### 6.2 Customer Accessible Functions

The following USB or SMBus accessible functions are available to the customer via the SMSC Pro-Touch Programming Tool.

**Note:** For additional programming details, refer to the SMSC Pro-Touch Programming Tool User Manual.

#### 6.2.1 USB Accessible Functions

##### 6.2.1.1 VSM commands over USB

By default, Vendor Specific Messaging (VSM) commands to the hub are enabled. The supported commands are:

- Enable Embedded Controller
- Disable Embedded Controller
- Enable Special Resume
- Disable Special Resume
- Reset Hub



### 6.2.1.2 I<sup>2</sup>C Master Access over USB

Access to I<sup>2</sup>C devices is performed as a pass-through operation from the USB Host. The device firmware has no knowledge of the operation of the attached I<sup>2</sup>C device. The supported commands are:

- Enable I<sup>2</sup>C pass through mode
- Disable I<sup>2</sup>C pass through mode
- I<sup>2</sup>C write
- I<sup>2</sup>C read
- Send I<sup>2</sup>C start
- Send I<sup>2</sup>C stop

### 6.2.1.3 SPI Access over USB

Access to an attached SPI device is performed as a pass-through operation from the USB Host. The device firmware has no knowledge of the operation of the attached SPI device. The supported commands are:

- Enable SPI pass through mode
- Disable SPI pass through mode
- SPI write
- SPI read

**Note:** Refer to [Section 7.1, "SPI Interface,"](#) on page 28 for additional information on the SPI interface.

### 6.2.1.4 OTP Access over USB

The OTP ROM in the device is accessible via the USB bus. All OTP parameters can be modified via the USB Host. The OTP operates in Single Ended mode. The supported commands are:

- Enable OTP reset
- Set OTP operating mode
- Set OTP read mode
- Program OTP
- Get OTP status
- Program OTP control parameters

### 6.2.1.5 Battery Charging Access over USB

The Battery charging behavior of the device can be dynamically changed by the USB Host when something other than the preprogrammed or OTP programmed behavior is desired. The supported commands are:

- Enable/Disable battery charging
- Upstream battery charging mode control
- Downstream battery charging mode control
- Battery charging timing parameters
- Download custom battery charging algorithm

### 6.2.1.6 Other Embedded Controller functions over USB

The following miscellaneous functions may be configured via USB:

- Enable/Disable Embedded controller enumeration
- Program Configuration parameters.
- Program descriptor fields:
  - Language ID
  - Manufacturer string
  - Product string
  - idVendor
  - idProduct
  - bcdDevice

## 6.2.2 SMBus Accessible Functions

### 6.2.2.1 OTP Access over SMBus

The device's OTP ROM is accessible over SMBus. All OTP parameters can be modified via the SMBus Host. The OTP can be programmed to operate in Single-Ended, Differential, Redundant, or Differential Redundant mode, depending on the level of reliability required. The supported commands are:

- Enable OTP reset
- Set OTP operating mode
- Set OTP read mode
- Program OTP
- Get OTP Status
- Program OTP control parameters

### 6.2.2.2 Configuration Access over SMBus

The following functions are available over SMBus prior to the hub attaching to the USB host:

- Program Configuration parameters.
- Program descriptor fields:
  - Language ID
  - Manufacturer string
  - Product string
  - idVendor
  - idProduct
  - bcdDevice
- Program Control Register

### 6.2.2.3 Run time Access over SMBus

There is a limited number of registers that are accessible via the SMBus during run time operation of the device. Refer to [Section 7.3.1, "SMBus Run Time Accessible Registers," on page 35](#) for details.

## 6.3 Device Configuration Straps

Configuration straps are multi-function pins that are driven as outputs during normal operation. During a [Power-On Reset \(POR\)](#) or an [External Chip Reset \(RESET\\_N\)](#), these outputs are tri-stated. The high or low state of the signal is latched following de-assertion of the reset and is used to determine the default configuration of a particular feature. Configuration straps are latched as a result of a [Power-On Reset \(POR\)](#) or a [External Chip Reset \(RESET\\_N\)](#). Configuration strap signals are noted in [Chapter 3, "Ball Descriptions,"](#) on page 10 and are identified by an underlined symbol name. The following subsections detail the various configuration straps.

Configuration straps include internal resistors in order to prevent the signal from floating when unconnected. If a particular configuration strap is connected to a load, an external pull-up or pull-down should be used to augment the internal resistor to ensure that it reaches the required voltage level prior to latching. The internal resistor can also be overridden by the addition of an external resistor.

**Note:** The system designer must guarantee that configuration straps meet the timing requirements specified in [Section 9.5.2, "Reset and Configuration Strap Timing,"](#) on page 63 and [Section 9.5.1, "Power-On Configuration Strap Valid Timing,"](#) on page 62. If configuration straps are not at the correct voltage level prior to being latched, the device may capture incorrect strap values.

**Note:** Configuration straps must never be driven as inputs. If required, configuration straps can be augmented, or overridden with external resistors.

### 6.3.1 SPI Speed Select (SPI SPD SEL)

This strap is used to select the speed of the SPI as follows:

**Table 6.1 SPI SPD SEL Configuration Definitions**

<u>SPI SPD SEL</u>	DEFINITION
'0'	30 MHz SPI Operation (Default)
'1'	60 MHz SPI Operation

**Note:** If the latched value on reset is 1, this pin is tri-stated when the chip is in the suspend state. If the latched value on reset is 0, this pin is driven low during a suspend state.

# Chapter 7 Device Interfaces

The USB3613 provides multiple interfaces for configuration and external memory access. This chapter details the various device interfaces and their usage.

**Note:** For information on device configuration, refer to [Chapter 6, "Device Configuration,"](#) on page 24.

## 7.1 SPI Interface

The device is capable of code execution from an external SPI ROM. On power up, the firmware looks for an external SPI flash device that contains a valid signature of 2DFU (device firmware upgrade) beginning at address 0xFFFA. If a valid signature is found, then the external ROM is enabled and the code execution begins at address 0x0000 in the external SPI device. If a valid signature is not found, then execution continues from internal ROM. The following sections describe the interface options to the external SPI ROM.

The SPI interface is always enabled after reset. It can be disabled by setting the SPI\_DISABLE bit in the UTIL\_CONFIG1 register.

**Note:** For SPI timing information, refer to [Section 9.5.7, "SPI Timing,"](#) on page 64.

### 7.1.1 Operation of the Hi-Speed Read Sequence

The SPI controller will automatically handle code reads going out to the SPI ROM address. When the controller detects a read, the controller drives SPI\_CE\_N low, and outputs 0x0B, followed by the 24-bit address. The SPI controller outputs a DUMMY byte. The next eight clocks will clock-in the first byte. When the first byte is clocked-in, a ready signal is sent back to the processor, and the processor gets one byte.

After the processor gets the first byte, its address will change. If the address is one more than the last address, the SPI controller will clock out one more byte. If the address is anything other than one more than the last address, the SPI controller will terminate the transaction by driving SPI\_CE\_N high. As long as the addresses are sequential, the SPI Controller will continue clocking data in.

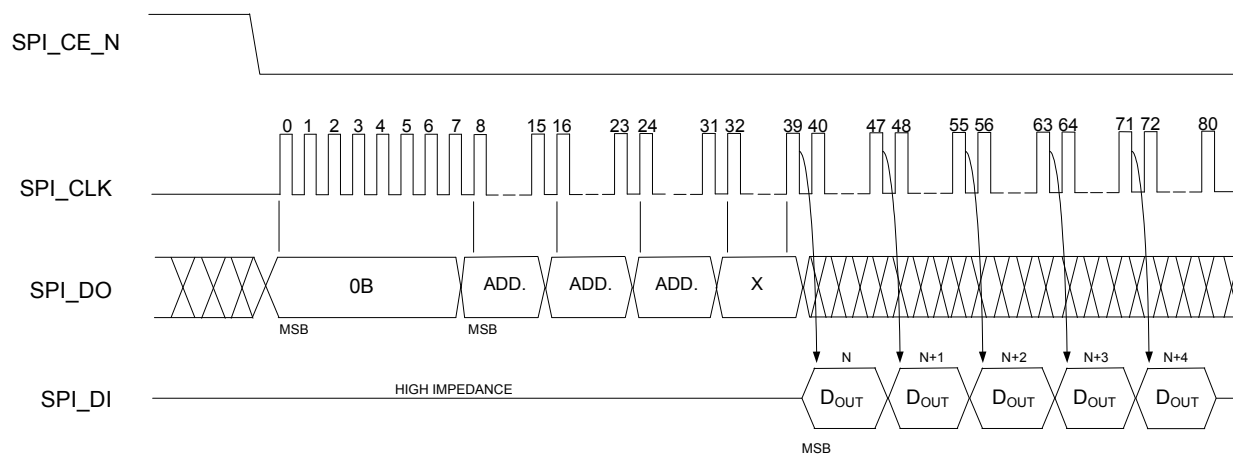


Figure 7.1 SPI Hi-Speed Read Sequence

### 7.1.2 Operation of the Dual High Speed Read Sequence

The SPI controller also supports dual data mode. When configured in dual mode, the SPI controller will automatically handle XDATA reads going out to the SPI ROM. When the controller detects a read, the controller drives SPI\_CE\_N low and outputs 0x3B (the value must be programmed into the SPI\_FR\_OPCODE Register) followed by the 24 bit address. Bits 23 through Bit 17 are forced to zero, and address bits 16 through 0 are directly from the XDATA address bus. Because it is in fast read mode, the SPI controller then outputs a DUMMY byte. The next four clocks will clock-in the first byte. The data appears two bits at a time on SPI\_DO and SPI\_DI. When the first byte is clocked in, a ready signal is sent back to the processor, and the processor gets one byte.

After the processor gets the first byte, its address will change. If the address is one more than the last address, the SPI controller will clock out one more byte. If the address is anything other than one more than the last address, the SPI controller will terminate the transaction by driving SPI\_CE\_N high. As long as the addresses are sequential, the SPI Controller will continue clocking data in.

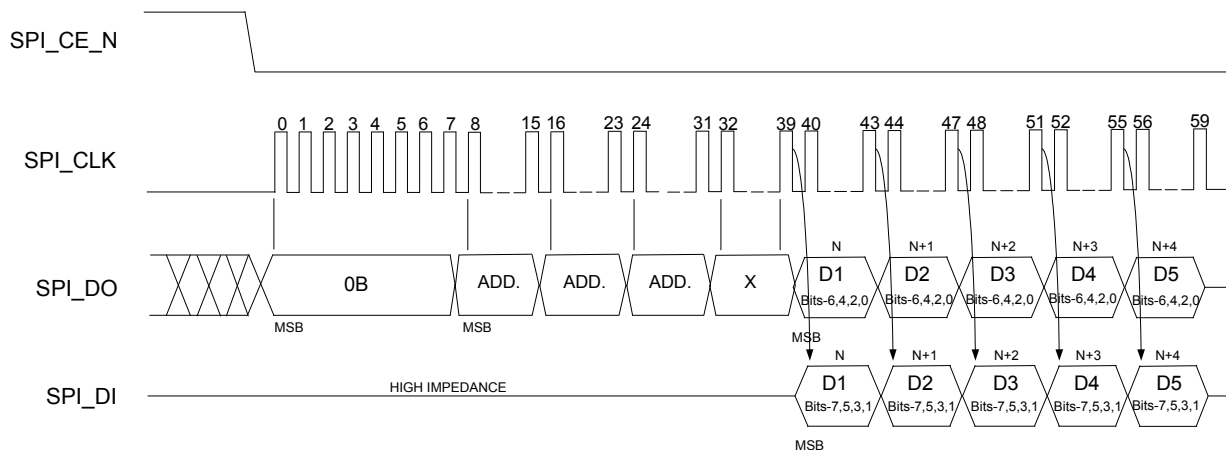


Figure 7.2 SPI Dual Hi-Speed Read Sequence

### 7.1.3 32 Byte Cache

There is a 32-byte pipeline cache with an associated base address pointer and length pointer. Once the SPI controller detects a jump, the base address pointer is initialized to that address. As each new sequential data byte is fetched, the data is written into the cache and the length is incremented. If the sequential run exceeds 32 bytes, the base address pointer is incremented to indicate the last 32 bytes fetched. If the firmware performs a jump, and the jump is in the cache address range, the fetch is done in 1 clock from the internal cache instead of an external access.

### 7.1.4 Interface Operation to the SPI Port When Not Performing Fast Reads

There is a 8-byte command buffer (SPI\_CMD\_BUF[7:0]), an 8-byte response buffer (SPI\_RESP\_BUF[7:0]), and a length register that counts out the number of bytes (SPI\_CMD\_LEN). Additionally, there is a self-clearing GO bit in the SPI\_CTL register. Once the GO bit is set, device drives SPI\_CE\_N low and starts clocking. It will then output SPI\_CMD\_LEN x 8 number of clocks. After the first COMMAND byte has been sent out, the SPI\_DI input is stored in the SPI\_RESP buffer. If the SPI\_CMD\_LEN is longer than the SPI\_CMD\_BUF, don't cares are sent out on the SPI\_DO output.

This mode is used for program execution out of internal RAM or ROM.

Automatic reads and writes happen when there is an external XDATA read or write, using the serial stream that has been previously discussed.

### 7.1.5 Erase Example

To perform a SCTR\_ERASE, 32BLK\_ERASE, or 64BLK\_ERASE, the device writes 0x20, 0x52, or 0xD8, respectively to the first byte of the command buffer, followed by a 3-byte address. The length of the transfer is set to 4 bytes. To perform this, the device drives SPI\_CE\_N low, then counts out 8 clocks. It then outputs on SPI\_DO the 8 bits of command, followed by 24 bits of address of the location to be erased. When the transfer is complete, SPI\_CE\_N goes high, while the SPI\_DI line is ignored in this example.

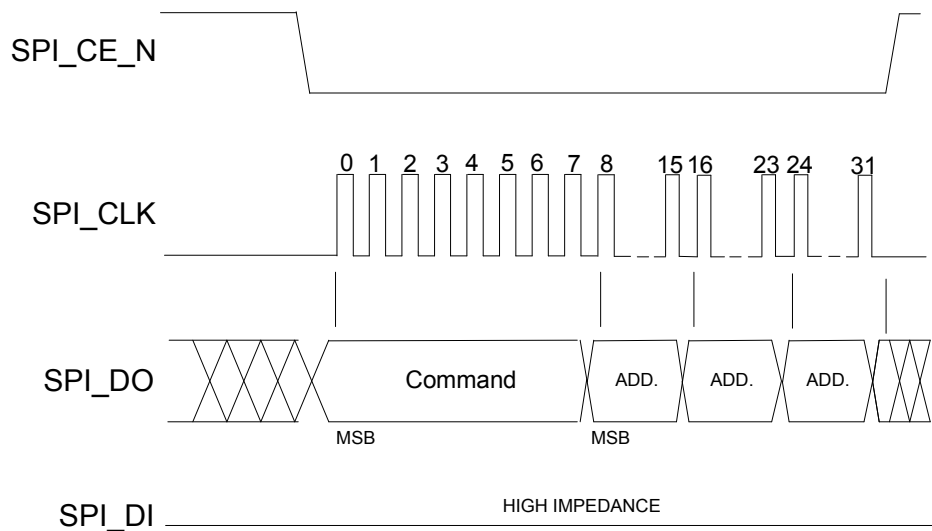


Figure 7.3 SPI Erase Sequence

### 7.1.6 Byte Program Example

To perform a Byte Program, the device writes 0x02 to the first byte of the command buffer, followed by a 3-byte address of the location that will be written to, and one data byte. The length of the transfer is set to 5 bytes. The device first drives SPI\_CE\_N low, then SPI\_DO outputs 8 bits of command, followed by 24 bits of address, and one byte of data. SPI\_DI is not used in this example.

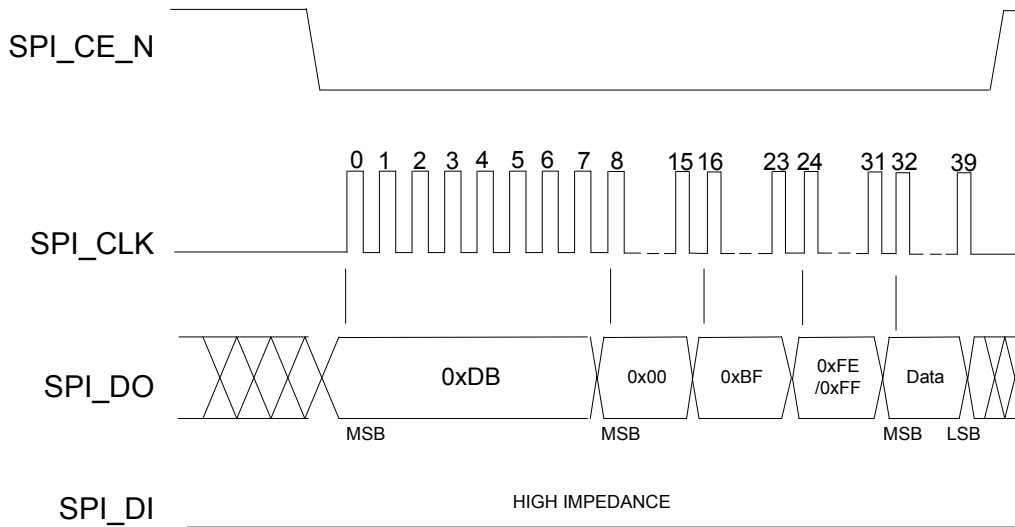


Figure 7.4 SPI Byte Program Sequence

### 7.1.7 Command Only Program Example

To perform a single byte command such as the following:

- WRDI
- WREN
- EWSR
- CHIP\_ERASE
- EBSY
- DBSY

The device writes the opcode into the first byte of the SPI\_CMD\_BUF and the SPI\_CMD\_LEN is set to one. The device first drives SPI\_CE\_N low, then 8 bits of the command are clocked out on SPI\_DO. SPI\_DI is not used in this example.

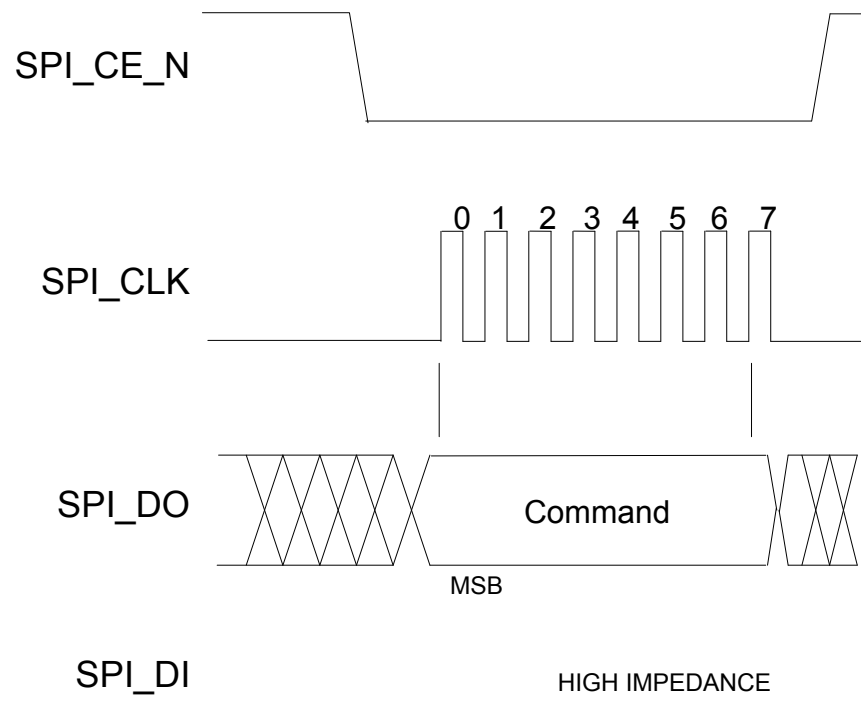


Figure 7.5 SPI Command Only Sequence



### 7.1.8 JEDEC-ID Read Example

To perform a JEDEC-ID command, the device writes 0x9F into the first byte of the SPI\_CMD\_BUF. The length of the transfer is 4 bytes. The device first drives SPI\_CE\_N low, then SPI\_DO is output with 8 bits of the command, followed by the 24 bits of dummy bytes (due to the length being set to 4). When the transfer is complete, SPI\_CE\_N goes high. After the first byte, the data on SPI\_DI is clocked into the SPI\_RSP\_BUF. At the end of the command, there are three valid bytes in the SPI\_RSP\_BUF. In this example, 0xBF, 0x25, 0x8E.

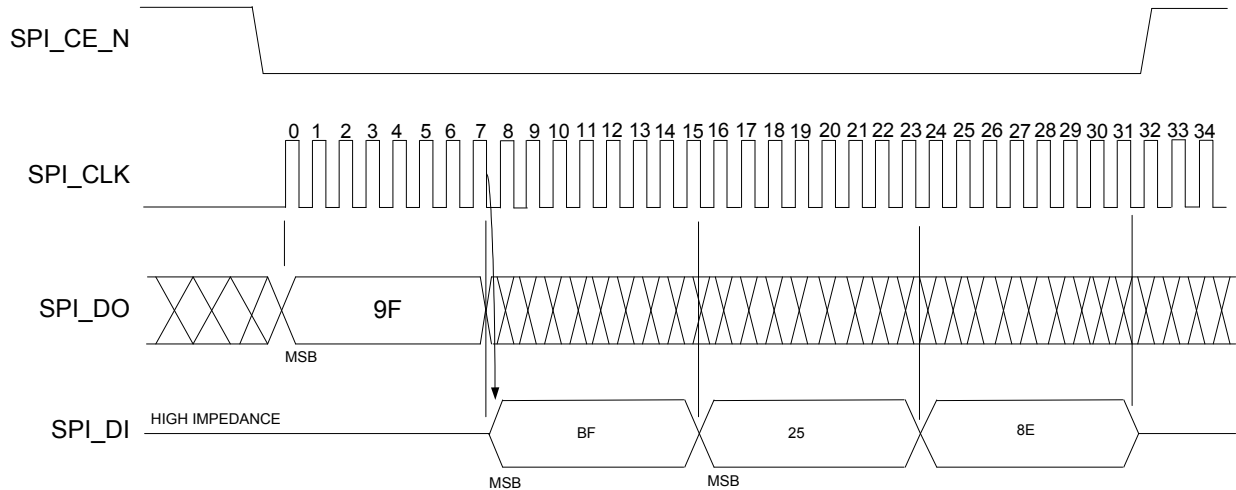


Figure 7.6 SPI JEDEC-ID Read Sequence

## 7.2 I<sup>2</sup>C Master Interface

The I<sup>2</sup>C master interface implements a subset of the I<sup>2</sup>C Master Specification (Please refer to the *Philips Semiconductor Standard I<sup>2</sup>C-Bus Specification* for details on I<sup>2</sup>C bus protocols). The device's I<sup>2</sup>C master interface conforms to the Standard-Mode I<sup>2</sup>C Specification (100 kbit/s transfer rate and 7-bit addressing) for protocol and electrical compatibility. The device acts as the master and generates the serial clock SCL, controls the bus access (determines which device acts as the transmitter and which device acts as the receiver), and generates the START and STOP conditions.

**Note:** Extensions to the I<sup>2</sup>C Specification are not supported.

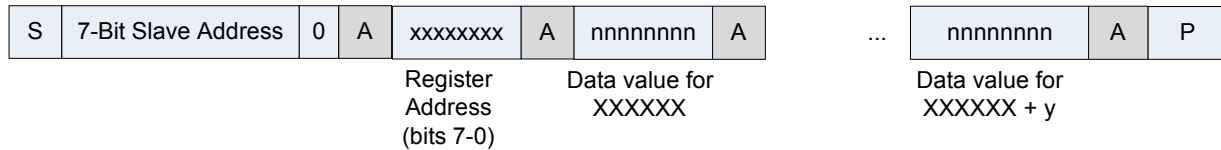
**Note:** All device configuration must be performed via the SMSC Pro-Touch Programming Tool. For additional information on the Pro-Touch programming tool, contact your local SMSC sales representative.

### 7.2.1 I<sup>2</sup>C Message Format

#### 7.2.1.1 Sequential Access Writes

The I<sup>2</sup>C interface supports sequential writing of the device's register address space. This mode is useful for configuring contiguous blocks of registers. [Figure 7.7](#) shows the format of the sequential

write operation. Where color is visible in the figure, blue indicates signaling from the I<sup>2</sup>C master, and gray indicates signaling from the slave.



**Figure 7.7 I<sup>2</sup>C Sequential Access Write Format**

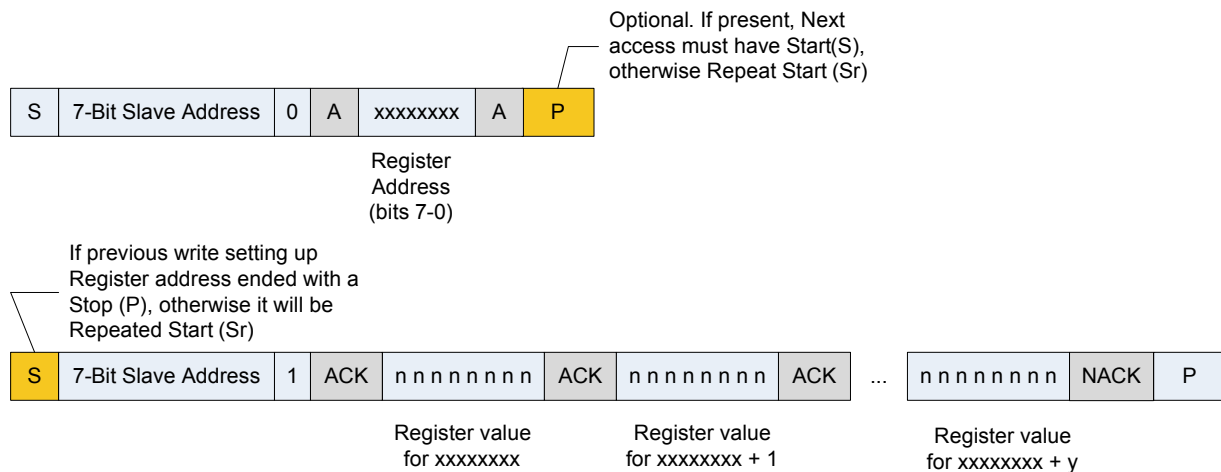
In this operation, following the 7-bit slave address, the 8-bit register address is written indicating the start address for sequential write operation. Every subsequent access is a data write to a data register, where the register address increments after each access and an ACK from the slave occurs. Sequential write access is terminated by a Stop condition.

**7.2.1.2 Sequential Access Reads**

The I<sup>2</sup>C interface supports direct reading of the device registers. In order to read one or more register addresses, the starting address must be set by using a write sequence followed by a read. The read register interface supports auto-increment mode. The master must send a NACK instead of an ACK when the last byte has been transferred.

In this operation, following the 7-bit slave address, the 8-bit register address is written indicating the start address for the subsequent sequential read operation. In the read sequence, every data access is a data read from a data register where the register address increments after each access. The write sequence can end with optional Stop (P). If so, the read sequence must begin with a Start (S). Otherwise, the read sequence must start with a Repeated Start (Sr).

Figure 7.8 shows the format of the read operation. Where color is visible in the figure, blue and gold indicate signaling from the I<sup>2</sup>C master, and gray indicates signaling from the slave.



**Figure 7.8 I<sup>2</sup>C Sequential Access Read Format**

## 7.2.2 Pull-Up Resistors for I<sup>2</sup>C

The circuit board designer is required to place external pull-up resistors (10 kΩ recommended) on the SDA & SCL signals (per SMBus 1.0 Specification) to Vcc in order to assure proper operation.

## 7.3 SMBus Slave Interface

The USB3613 includes an integrated SMBus slave interface, which can be used to access internal device run time registers or program the internal OTP memory. SMBus detection is accomplished by detection of pull-up resistors (10 KΩ recommended) on both the SMBDATA and SMBCLK signals. To disable the SMBus, a pull-down resistor of 10 KΩ must be applied to SMBDATA. The SMBus interface can be used to configure the device as detailed in [Section 6.1, "Configuration Method Selection," on page 24](#).

**Note:** All device configuration must be performed via the SMSC Pro-Touch Programming Tool. For additional information on the Pro-Touch programming tool, contact your local SMSC sales representative.

### 7.3.1 SMBus Run Time Accessible Registers

[Table 7.1](#) provides a summary of the SMBus accessible run time registers. Each register is detailed in the subsequent tables.

**Note:** The SMBus page register must be configured to allow the SOC to access the proper register space. Refer to [Section 7.3.2, "Run Time SMBus Page Register," on page 48](#) for details.

**Table 7.1 SMBus Accessible Run Time Registers**

NAME	XDATA ADDR	
UP_BC_DET	0x30E2	<a href="#">Table 7.2, "Upstream Battery Charging Detection Control Register"</a>
UP_CUST_BC_CTL	0x30E3	<a href="#">Table 7.3, "Upstream Custom Battery Charger Control Register"</a>
UP_CUST_BC_STAT	0x30E4	<a href="#">Table 7.4, "Upstream Custom Battery Charger Status Register"</a>
PORT_PWR_STAT	0x30E5	<a href="#">Table 7.5, "Port Power Status Register"</a>
OCS_STAT	0x30E6	<a href="#">Table 7.6, "OCS Status Register"</a>
INT_STATUS	0x30E8	<a href="#">Table 7.7, "Serial Port Interrupt Status Register"</a>
INT_MASK	0x30E9	<a href="#">Table 7.8, "Serial Port Interrupt Mask Register"</a>
BC_CHG_MODE	0x30EC	<a href="#">Table 7.9, "Upstream Battery Charger Mode Register"</a>
CHG_DET_MSK	0x30ED	<a href="#">Table 7.10, "Charge Detect Mask Register"</a>
CFGP	0x30EE	<a href="#">Table 7.11, "Configure Portable Hub Register"</a>
PSELSUSP	0x318B	<a href="#">Table 7.12, "Port Select and Low-Power Suspend Register"</a>
CONNECT_CFG	0x318E	<a href="#">Table 7.13, "Connect Configuration Register"</a>
BC_CTL_1 (Upstream)	0x6100	<a href="#">Table 7.14, "Upstream (Port 0) Battery Charging Control 1 Register"</a>
BC_CTL_2 (Upstream)	0x6101	<a href="#">Table 7.15, "Upstream (Port 0) Battery Charging Control 2 Register"</a>

**Table 7.1 SMBus Accessible Run Time Registers (continued)**

NAME	XDATA ADDR	
BC_CTL_RUN_TIME (Upstream)	0x6102	Table 7.16, "Upstream (Port 0) Battery Charging Run Time Control Register"
BC_CTL_DET (Upstream)	0x6103	Table 7.17, "Upstream (Port 0) Battery Charging Detect Register"

**Table 7.2 Upstream Battery Charging Detection Control Register**

UP_BC_DET (0x30E2 - RESET= 0x02)			UPSTREAM BATTERY CHARGING REGISTER
BIT	NAME	R/W	DESCRIPTION
7:5	CHARGER_TYPE	R/W	<p>Read Only. This field indicates the result of the automatic charger detection. Values reported depend on EnhancedChrgDet bit setting in <a href="#">Upstream Battery Charger Mode Register</a>.</p> <p>If EnhancedChrgDet = 1                      000 = Charger Detection is not complete.                      001 = DCP - Dedicated Charger Port                      010 = CDP – Charging Downstream Port                      011 = SDP – Standard Downstream Port                      100 = Apple Low Current Charger                      101 = Apple High Current Charger                      110 = Apple Super High Current Charger                      111 = Charger Detection Disabled</p> <p>If EnhancedChrgDet = 0                      000 = Charger Detection is not complete.                      001 = DCP/CDP – Dedicated Charger or Charging Downstream Port                      010 = Reserved                      011 = SDP – Standard Downstream Port                      100 = Apple Low Current Charger                      101 = Apple High Current Charger                      110 = Apple Super High Current Charger                      111 = Charger Detection Disabled</p>
4	CHGDET_COMPLETE	R	Indicates Charger Detection has been run and is completed. This bit is negated when START_CHG_DET is asserted high.
3	Reserved	R/W	Reserved for debugging
2:1	CHG_DET[1:0]	R	<p>Indicates encoded status of what chargers or status has been detected according to the settings in the <a href="#">Charge Detect Mask Register</a>. It can be used to determine what current can be drawn from the upstream USB port.</p> <p>00 = No selected Chargers or Status identified                      01 = 100ma (VBUS detect without enumeration)                      10 = 500ma (Device enumerated, Set Config seen)                      11 = 1000+ma (Charger detected)</p> <p>The actual current amount for the charger will be system dependent</p>

Table 7.2 Upstream Battery Charging Detection Control Register (continued)

UP_BC_DET (0x30E2 - RESET= 0x02)			UPSTREAM BATTERY CHARGING REGISTER
BIT	NAME	R/W	DESCRIPTION
0	START_CHG_DET	R/W	<p>Manually Initiates a USB battery charger detection sequence at the time of assertion. This bit must not be set while hub is in operation. This bit is cleared automatically when the manual battery charger detection sequence is completed.</p> <p>0 = Write: No Effect / Read: Battery Charger Detection Sequence Completed or not run. 1 = Write: Start Battery Charger Detection / Read: Battery Charger Detection Sequence is running</p>

Table 7.3 Upstream Custom Battery Charger Control Register

UP_CUST_BC_CTL (0x30E3 - RESET= 0x00)			UPSTREAM CUSTOM BATTERY CHARGING CONTROL
BIT	NAME	R/W	DESCRIPTION
7	I2CControl	R/W	<p>I<sup>2</sup>C control</p> <p>0: I<sup>2</sup>C control disabled 1: I<sup>2</sup>C control enabled</p>
6	DmPulldownEn	R/W	<p>DM 15K pull down resistor control</p> <p>0: DM 15K pull down resistor disabled 1: DM 15K pull down resistor enabled</p>
5	DpPulldownEn	R/W	<p>DP 15K pull down resistor control</p> <p>0: DP 15K pull down resistor disabled 1: DP 15K pull down resistor enabled</p>
4	IdatSinkEn	R/W	<p>Idat current sink control</p> <p>0: Idat current sink disabled 1: Idat current sink enabled</p>
3	HostChrgEn	R/W	<p>Host charger detection swap control</p> <p>0: Charger detection connections of DP and DM are not swapped (standard) 1: Charger detection connections of DP and DM are swapped. The USB signal path is not reversed.</p>
2	VdatSrcEn	R/W	<p>Vdat voltage source control</p> <p>0: Vdat voltage source disabled 1: Vdat voltage source enabled</p>
1	ContactDetectEn	R/W	<p>Contact detect current source control</p> <p>0: Contact detect current source disabled 1: Contact detect current source enabled</p>

**Table 7.3 Upstream Custom Battery Charger Control Register (continued)**

UP_CUST_BC_CTL (0x30E3 - RESET= 0x00)			UPSTREAM CUSTOM BATTERY CHARGING CONTROL
BIT	NAME	R/W	DESCRIPTION
0	SeRxEn	R/W	Single-ended receiver control 0: Single-ended receiver disabled 1: Single-ended receiver enabled

**Table 7.4 Upstream Custom Battery Charger Status Register**

UP_CUST_BC_STAT (0x30E4 - RESET= 0x00)			UPSTREAM CUSTOM BATTERY CHARGING STATUS
BIT	NAME	R/W	DESCRIPTION
7:4	Reserved	R	Reserved
3	RxHiCurr	R	DM high current Apple charger output 0: DM signal is not above the VSE_RXH threshold 1: DM signal is above the VSE_RXH threshold
2	DmSeRx	R	DM Single Ended Receiver Status
1	DpSeRx	R	DP Single Ended Receiver Status
0	VdatDet	R	Vdat detect 0: Vdat not detected 1: Vdat detect comparator output

**Table 7.5 Port Power Status Register**

PORT_PWR_STAT (0x30E5 - RESET= 0x00)			PORT POWER STATUS
BIT	NAME	R/W	DESCRIPTION
7:5	Reserved	R	Reserved
4:1	P RTPWR[4:1]	R	Optional status to SOC indicating that power to the corresponding downstream port was enabled by the USB Host for the specified port. Not required for an embedded application.  This is a read-only status bit. Actual control over port power is implemented by the USB Host, <a href="#">OCS Status Register</a> and Downstream Battery Charging logic, if enabled.  0: USB Host has not enabled port to be powered or in downstream battery charging and corresponding OCS bit has been set 1: USB Host has enabled port to be powered
0	Reserved	R	Reserved

Table 7.6 OCS Status Register

OCS_STAT (0x30E6 - RESET= 0x00)			PORT POWER STATUS
BIT	NAME	R/W	DESCRIPTION
7:5	Reserved	R	Reserved
4:1	OCS[4:1]	R	Optional control from SOC that indicates an over-current condition on the corresponding port for HUB status reporting to USB host. Also resets corresponding PRTPWR status bit in the <a href="#">Port Power Status Register</a> . Not required for an embedded application.  0: No Over Current Condition 1: Over Current Condition
0	Reserved	R	Reserved

Table 7.7 Serial Port Interrupt Status Register

SP_INT_STATUS (0x30E8 - RESET= 0x00)			SERIAL PORT INTERRUPT STATUS
BIT	NAME	R/W	DESCRIPTION
7	Interrupt	R/W	Read: 0: INT_N pin has not been asserted low due to unmasked interrupt 1: INT_N pin has been asserted low due to unmasked interrupt  Write: 0: Negate INT_N pin high 1: No Effect – INT_N pin and register retains its current value
6:5	Reserved	R	Reserved
4	HubSusplnt	R/W	Read: 0: Hub has not entered USB suspend since last HubSusplnt reset 1: Hub has entered USB suspend  Write: 0: Negate HubSusplnt status low 1: No Effect
3	HubCfgInt	R/W	Read: 0: Hub has not been configured by the USB Host since last HubConfInt reset 1: Hub has been configured by the USB host  Write: 0: Negate HubConfInt status low 1: No Effect

**Table 7.7 Serial Port Interrupt Status Register (continued)**

SP_INT_STATUS (0x30E8 - RESET= 0x00)			SERIAL PORT INTERRUPT STATUS
BIT	NAME	R/W	DESCRIPTION
2	PrtPwrInt	R/W	Read: 0: Port Power Status Register has not been updated since last PrtPwrInt reset 1: Port Power Status Register has been updated  Write: 0: Negate PrtPwrInt status low 1: No Effect
1	ChrgDetInt	R/W	Read: 0: Charge detect has not been updated since last ChrgDetInt reset 1: Charge detect as been updated  Write: 0: Negate ChrgDetInt status low 1: No Effect
0	ChrgDetComplnt	R/W	Read: 0: Charge detection not completed since last ChrgDetComplnt reset 1: Charge detection completed  Write: 0: Negate ChrgDetComplnt status low 1: No Effect

**Note:** Refer to [Section 8.9, "Interrupt Output \(INT\\_N\),"](#) on page 56 for additional information on the INT\_N interrupt.

**Table 7.8 Serial Port Interrupt Mask Register**

SP_INT_MSK (0x30E9 - RESET= 0x02)			SERIAL PORT INTERRUPT MASK
BIT	NAME	R/W	DESCRIPTION
7:5	Reserved	R	Reserved
4	HubSuspMask	R/W	0 = INT_N pin is not affected by Hub entering suspend 1 = INT_N pin is asserted when Hub enters suspend
3	HubCfgMask	R/W	0 = INT_N pin is not affected by Hub configuration event 1 = INT_N pin is asserted when Hub configured by USB Host
2	PrtPwrMask	R/W	0 = INT_N pin is not affected by Port Power register 1 = INT_N pin is asserted when Port Power register has been updated by USB Host
1	ChrgDetMask	R/W	0 = INT_N pin is not affected by CHG_DET_N 1 = INT_N pin is asserted when CHG_DET bit in Charger Detect Register is asserted
0	ChgDetCompMask	R/W	0 = INT_N pin is not affected by ChrgDetComplete 1 = INT_N pin is asserted when ChrgDetComplete bit in Charger Detect Register is asserted high



**Note:** Refer to [Section 8.9, "Interrupt Output \(INT\\_N\),"](#) on page 56 for additional information on the INT\_N interrupt.

**Table 7.9 Upstream Battery Charger Mode Register**

BC_CHG_MODE (0x30EC - RESET= 0x14)			UPSTREAM BATTERY CHARGER MODE
BIT	NAME	R/W	DESCRIPTION
7:6	Reserved	R	Reserved
5	HoldVdat	R/W	Dead Battery Vdat Detect voltage source enable  0: The charger detection state machine will turn off the Vdat Source at the end of the charger detection routine. 1: The charger detection state machine leave Vdat Source on during Hub.Connect stage when a SDP has been detected.
4	Reserved	R	Reserved
3	SE1ChrgDet	R/W	Apple type charger detection control  0: The charger detection routine will not look for the attachment of an Apple type charger. 1: The charger detection routine will look for the attachment of an Apple type charger.
2	EnhancedChrgDet	R/W	Enhanced charge detect control  0: The charger detection routine will not reverse Vdat SRC to differentiate between a CDP and a DCP. 1: The charger detection routine will reverse Vdat SRC to differentiate between a CDP and a DCP.
1:0	Reserved	R	Reserved

Table 7.10 Charge Detect Mask Register

CHG_DET_MSK (0x30ED - RESET= 0x1F)			CHARGE DETECT MASK
BIT	NAME	R/W	DESCRIPTION
7	CONFIGURED	R/W	0: <i>battChg.chgDet</i> is not affected for this mask set when Hub is in a session and has been configured by the USB Host 1: <i>battChg.chgDet</i> indicates status for this mask set met when Hub is in a session and has been configured by the USB Host
6	CONNECTED	R/W	0: <i>battChg.chgDet</i> is not affected for this mask set when Hub has successfully connected with an upstream Host 1: <i>battChg.chgDet</i> indicates status for this mask set met when Hub has successfully connected with an upstream host.
5	SUSPENDED	R/W	0: <i>battChg.chgDet</i> is not affected for this mask set when Hub is in a session and has been suspended by the USB Host 1: <i>battChg.chgDet</i> indicates status for this mask set met when Hub is in a session and has been suspended by the USB Host
4	SE1SMask	R/W	0: <i>battChg.chgDet</i> is not affected for this mask set by detection of a Apple Super High Current Charger 1: <i>battChg.chgDet</i> indicates status for this mask set met when a SE1 (Apple) Super High Current Charger is detected
3	SE1HMask	R/W	0: <i>battChg.chgDet</i> is not affected for this mask set by detection of a Apple High Current Charger 1: <i>battChg.chgDet</i> indicates status for this mask set met when a Apple High Current Charger is detected
2	SE1LMask	R/W	0: <i>battChg.chgDet</i> is not affected for this mask set by detection of a Apple Low Current Charger 1: <i>battChg.chgDet</i> indicates status for this mask set met when a Apple Low Current Charger is detected
1	CDPMask	R/W	0: <i>battChg.chgDet</i> is not affected for this mask set by detection of a CDP Charger 1: <i>battChg.chgDet</i> indicates status for this mask set met when a CDP Charger is detected  This mask bit should only be enabled if EnhancedChrgDet is asserted in the <a href="#">Upstream Battery Charger Mode Register</a> . Without it, the charger detection is unable to identify a CDP.
0	DCPMask	R/W	0: <i>battChg.chgDet</i> is not affected for this mask set by detection of a DCP Charger 1: <i>battChg.chgDet</i> indicates status for this mask set met when a DCP Charger is detected

Table 7.11 Configure Portable Hub Register

CFGP (0x30EE - RESET= 0x10)			PORTABLE HUB CONFIGURATION REGISTER
BIT	NAME	R/W	DESCRIPTION
7	ClkSusp	R/W	0: Allow device to gate-off its internal clocks during suspend mode in order to meet USB suspend current requirements.  1: Force device to run internal clock even during USB suspend (will cause device to violate USB suspend current limit - intended for test or self-powered applications which require use of SMBus during USB session.)
6	IntSusp	R/W	0: INT_N pin function retains event sensitive role of a general serial port interrupt.  1: INT_N pin function is a level sensitive USB suspend interrupt indication. Allows system to adjust current consumption to comply with USB specification limits when hub is in the USB suspend state.  <b>Note:</b>
5:1	DIS_CHP_PHY_CLK[5:1]	R/W	A '1' disables the PHY clock of the corresponding port: Bit 5 - Downstream port 5 Bit 4 - Downstream port 4 Bit 3 - Downstream port 3 Bit 2 - Downstream port 2 Bit 1 - Downstream port 1
0	Reserved	R	Always read '0'

Table 7.12 Port Select and Low-Power Suspend Register

PSELSUSP (0x318B- RESET=0x00)			PORT SELECT AND LOW POWER SUSPEND REGISTER
BIT	NAME	R/W	DESCRIPTION
7:6	APortSel	R/W	Specifies which downstream USB port is associated with the PRTPWRA pin function.  '00' - Port 1 '01' - Port 2 '10' - Port 3 '11' - Port 4
5:0	Reserved	R	Always read '0'

**Note:** This register should be assigned during the Hub.Config or Hub.Connect stages, and should not be dynamically updated during Hub.Communication stage or undefined behavior may result.

**Table 7.13 Connect Configuration Register**

CONNECT_CFG (0x318E- RESET=0x00)			CONNECT CONFIGURATION REGISTER
BIT	NAME	R/W	DESCRIPTION
7:2	Reserved	R	Reserved
1	EN_FLEX_MODE	R/W	Flex Connect mode enable 0: Flex Connect mode is disabled. (Normal hub operation) 1: Flex Connect mode is enabled
0	FLEXCONNECT	R/W	<p>FlexConnect Control. When asserted the device changes its hub connections so that the Swap port (Physical Port 1) changes from it's default behavior of a downstream port to an upstream port. The Flex Port (Physical port 0) transitions from an upstream port to a downstream port.</p> <p>'0' - Flex Port = Upstream (Port 0) Swap Port= Downstream (Port 1)</p> <p>'1' - Flex Port= Downstream (Port 1) Swap Port= Upstream (Port 0)</p> <p>This setting can be used to select whether the Flex Port is an upstream or downstream port.</p> <p>Another application for this setting is to allow a dual-role device on the Swap Port to assume a host role and communicate directly with other downstream hub ports, or to communicate through the Flex Port to a exposed connector to an external device.</p> <p>If a "private" communication channel is desired between embedded devices, any externally exposed ports should be disabled.</p> <p>Note: All port-specific settings such as VSNS, prtSp, sDiscon are specific to the logic port 0, 1, 2, 3. When FLEXCONNECT is asserted, these settings affect the newly assigned physical pins and PHY. Any settings which are specific to the physical Flex Port and Swap Port such as battery charger detection do not change with the setting of FLEXCONNECT.</p>

Table 7.14 Upstream (Port 0) Battery Charging Control 1 Register

BC_CTL_1 (0x6100- RESET=0x00)			UPSTREAM (PORT 0) BATTERY CHARGING CONTROL 1 REGISTER
BIT	NAME	R/W	DESCRIPTION
7	USB2_IDP_SRC_EN	R/W	AFE 10uA I <sub>DP_SRC</sub> current source Enable 0: Disabled (Hi Z) 1: Enabled
6	USB2_VDAT_SRC_EN	R/W	AFE 0.6V V <sub>DATA_SRC</sub> voltage source Enable 0: Disabled (Hi Z) 1: Enabled
5	USB2_HOST_CHRG_EN	R/W	Enable charging host port mode 0: Portable Device 1: Charging Host port.  When the charging host port is bit is set, the connections of V <sub>DATA_SRC</sub> , I <sub>DAT_SINK</sub> , I <sub>DP_SRC</sub> , V <sub>DAT_DET</sub> are reversed between DP and DM
4	USB2_IDAT_SINK_EN	R/W	AFE 100uA current sink and the V <sub>DAT_DET</sub> comparator Enable 0: Disabled (Hi Z) 1: Enabled
3	USB2_VDAT_DET	R	V <sub>DAT_DET</sub> comparator output 0: No voltage detected 1: Voltage detected (a possible charger or a device)
2	USB2_BC_DP_RDIV_EN	R/W	AFE Battery Charging Resistor Divider Enable – DP. 0: Disables resistor divider on DP. 1: Enables 2.7V voltage reference on DP through use of 9.7K/48.5K resistor divider.
1	USB2_BC_DM_RDIV_EN	R/W	AFE Battery Charging Resistor Divider Enable – DM. 0: Disables resistor divider on DM. 1: Enables 2.0V voltage reference on DM through use of 29.1K/48.5K resistor divider.
0	USB2_DP_DM_SHORT_EN	R/W	Sets the port into China battery charger mode.

**Table 7.15 Upstream (Port 0) Battery Charging Control 2 Register**

<b>BC_CTL_2 (0x6101- RESET=0x00)</b>			<b>UPSTREAM (PORT 0) BATTERY CHARGING CONTROL 2 REGISTER</b>
<b>BIT</b>	<b>NAME</b>	<b>R/W</b>	<b>DESCRIPTION</b>
7	BC_10_125K_PU_DP	R/W	Setting this bit enables a 125K pull-up to VDD33 on DP. This is used for USB battery charging in 1.0 mode detection only.
6	BC_10_125K_PU_DM	R/W	Setting this bit enables a 125K pull-up to VDD33 on DM. This is used for USB battery charging in 1.0 mode detection only.
5	LINESTATE_DP	R	This is the direct value of the Full-Speed USB line state Data Plus. It is used for battery charging detection. This line is not valid in HS mode and should only be used in battery charging detection.
4	LINESTATE_DM	R	This is the direct value of the Full-Speed USB line state Data Minus. It is used for battery charging detection. This line is not valid in HS mode and should only be used for battery charging detection.
3	USB2_FS_DP	R	This is the raw Full-Speed single ended receiver output for Data Plus
2	USB2_FS_DM	R	This is the raw Full-Speed single ended receiver output for Data Minus
1:0	Reserved	R	Always read '0'

Table 7.16 Upstream (Port 0) Battery Charging Run Time Control Register

BC_CTL_RUN_TIME (0x6102- RESET=0x00)			UPSTREAM (PORT 0) BATTERY CHARGING RUN TIME CONTROL REGISTER
BIT	NAME	R/W	DESCRIPTION
7	Reserved	R	Always read '0'
6	SUSPENDN	R/W	Suspend enable. Forces upstream port into suspend 0: Suspend disabled 1: Suspend enabled
5	RESET	R/W	Reset enable. Forces upstream port into reset 0: Reset disabled 1: Reset enabled
4	USB2_FS_OEB	R/W	Output Enable (OE). Forces upstream port into output enable 0: OE disabled 1: OE enabled
3	RPD_DP_EN	R/W	Data plus resistor pull-down enable 0: Data plus pull-down disabled 1: Data plus pull-down enabled
2	RPD_DM_EN	R/W	Data minus resistor pull-down enable 0: Data minus pull-down disabled 1: Data minus pull-down enabled
1:0	XCVRSELECT	R/W	Transceiver Select. This field selects between the LS, FS and HS transceivers. 2'b00: HS mode 2'b01: FS mode 2'b10: LS mode 2'b11: LS data-rate with FS rise/fall times (and EOP/IDLE) <b>Note:</b> Note: XCVRSELECT must change state only when the device is not actively transmitting or receiving

Table 7.17 Upstream (Port 0) Battery Charging Detect Register

BC_CTL_DET (0x6103- RESET=0x00)			UPSTREAM (PORT 0) BATTERY CHARGING DETECT REGISTER
BIT	NAME	R/W	DESCRIPTION
7:3	Reserved	R	Always read '0'
2	USB2_BC_RXHI_EN	R/W	Enable pin for the Apple high current battery charger detection.
1	USB2_BC_RXHI_DET	R	Output pin for the Apple high current battery charger detection. When disabled this output will be low.
0	USB2_BC_BIAS_EN	R/W	When enabling <a href="#">USB2_IDAT_SINK_EN</a> or <a href="#">USB2_VDAT_SRC_EN</a> of the <a href="#">Upstream (Port 0) Battery Charging Control 1 Register</a> , this register bit must be set to enable the required current source.

### 7.3.2 Run Time SMBus Page Register

The following run time SMBus page register is located at 0xFF and must be programmed to allow the SOC to page through different pages of the register space.

**Table 7.18 SMBus Page Register**

SMBUS_PAGE (0xFF(I2C) - RESET= 0x00)			SMBUS PAGE REGISTER
BIT	NAME	R/W	DESCRIPTION
7:5	PAGE_SEL	R/W	From the I <sup>2</sup> C side, this field allows the I <sup>2</sup> C to select the accessible address space: 000 = Select registers in the 3000 space (0x30e2 - 0x30ee) 010 = Select registers in the 3100 space (0x318b,0x318e) 110 = Select register in the 6100 space (0x6100,0x6101,0x6102)
5:0	Reserved	R	Reserved. <b>Note:</b> Software must never write a '1' to these bits



## Chapter 8 Functional Descriptions

This chapter provides additional functional descriptions of key device features.

### 8.1 Battery Charger Detection & Charging

The USB3613 supports both upstream battery charger detection and downstream battery charging. The integrated battery charger detection circuitry supports the USB-IF Battery Charging (BC1.2) detection method and most Apple devices. These circuits are used to detect the attachment and type of a USB charger and provide an interrupt output to indicate charger information is available to be read from the device's status registers via the serial interface. The USB3613 provides the battery charging handshake and supports the following USB-IF BC1.2 charging profiles:

- DCP: Dedicated Charging Port (Power brick with no data)
- CDP: Charging Downstream Port (1.5A with data)
- SDP: Standard Downstream Port (0.5A with data)
- Custom profiles loaded via SMBus or OTP

The following sub-sections detail the upstream battery charger detection and downstream battery charging features.

#### 8.1.1 Upstream Battery Charger Detection

Battery charger detection is available on the upstream facing port. The detection sequence is intended to identify chargers which conform to the Chinese battery charger specification, chargers which conform to the USB-IF Battery Charger Specification 1.2, and most Apple devices.

In order to detect the charger, the device applies and monitors voltages on the upstream DP and DM balls. If a voltage within the specified range is detected, the CHRGDET[1:0] signals will be asserted and the will be updated to reflect the proper status.

The device includes the circuitry required to implement battery charging detection using the Battery Charging Specification. When enabled, the device will automatically perform charger detection upon entering the Hub.ChgDet stage in Hub Mode. The device includes a state machine to provide the detection of the USB chargers listed in the table below. The type of charger detected is returned in the CHARGER\_TYPE field of the .

**Table 8.1 Chargers Compatible with Upstream Detection**

USB ATTACH TYPE	DP/DM PROFILE	CHARGERTYPE
DCP (Dedicated Charging Port)	Shorted < 200ohm	001
CDP (Charging Downstream Port)	VDP reflected to VDM	010 (EnhancedChrgDet = 1)
SDP (Standard Downstream Port) USB Host or downstream hub port	15Kohm pull-down on DP and DM	011
Apple Low Current Charger	Apple	100
Apple High Current Charger	Apple	101

**Table 8.1 Chargers Compatible with Upstream Detection (continued)**

USB ATTACH TYPE	DP/DM PROFILE	CHARGER TYPE
Apple Super High Current Charger	DP=2.7V DM=2.0V	110
Apple Charger Low Current Charger (500mA)	DP=2.0V DM=2.0V	100
Apple Charger High Current Charger (1000mA)	DP=2.0V DM=2.7V	101

If a custom charger detection algorithm is desired, the SMBus registers can also be used to control the charger detection block to implement a custom charger detection algorithm. In order to avoid negative interactions with automatic battery charger detection or normal hub operation, the user should only attempt Custom battery charger detection during the Hub.Config stage or Hub.Connect stage. No logic is implemented to disable custom detection at other times - it is up to the user software to observe this restriction.

The SMBus registers and associated general purpose interrupts are primarily intended for communication with the SOC. To facilitate operation when the SOC is not in a mode which can service the SMBus, additional output signals dedicated specifically to charger detection (CHRGDET[1:0]) are provided. This output can be used to communicate with a second device such as a PMIC. The type of charger which affects the CHRGDET[1:0] state can be selected in the [Charge Detect Mask Register](#).

There is a possibility that the system is not running the reference clock when battery charger detection is required (for example if the battery is dead or missing). During the Hub.WaitRefClk stage the battery charger detection sequence can be configured to be followed regardless of the activity of REFCLK by relying on the operation of the internal oscillator.

**Note:** Battery charger detection is not available when utilizing HSIC on the upstream port.

### 8.1.1.1 Charger Detection (CHRGDET[1:0])

The CHRGDET[1:0] output function can be programmed to communicate information that can affect the level of current that the system may draw from the upstream USB VBUS wire. CHRGDET[1:0] can be set to identify that a specific type of charger was discovered or that an event on the device occurred such as USB Device Suspend or the USB Device has been configured. Either bit of the function can be enabled on a single pin if the resolution of two pins is not required. The output function tracks the CHG\_DET[1:0] bits of the .

The charger detect output can be used to communicate directly to a PMIC GPIO that a charger has been identified. In this way, there is no communication required over the SMBus by the SOC. This facilitates a dead battery case where there is insufficient battery power to activate the SOC or its SMBus to query the cause of an interrupt. The encoding of CHRGDET[1:0] can be seen in [Table 8.2](#).

**Table 8.2 CHRGDET[1:0] Configuration Definitions**

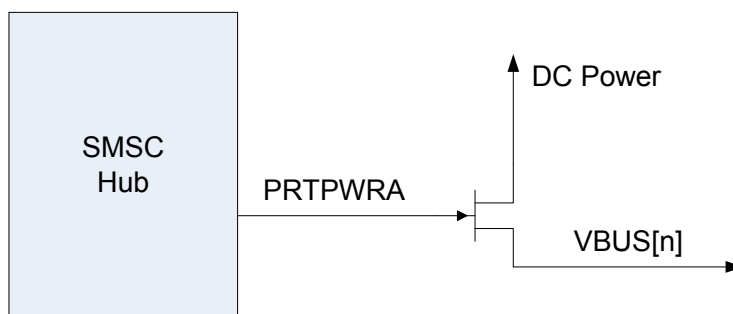
CHRGDET[1:0]	DEFINITION
'00'	No selected chargers or status identified. Draw no current from VBUS.
'01'	VBUS detect without enumeration. Draw unconfigured current from VBUS (100mA max).
'10'	Device enumerated, Set Config seen. Draw configured current from VBUS (500mA max).

**Table 8.2 CHRGDET[1:0] Configuration Definitions (continued)**

CHRGDET[1:0]	DEFINITION
'11'	Charger detected. Draw battery charger current from VBUS (1.0A+). <b>Note:</b> The actual current amount for the charger will be system dependant.

### 8.1.2 Downstream Battery Charging

The device can be configured by an OEM to have the downstream ports to support battery charging. The Hub's role in battery charging is to provide an acknowledge to a device's query as to if the hub system supports USB battery charging. The hub silicon does not provide any current or power FETs or any additional circuitry to actually charge the device. Those components must be provided as externally by the OEM.



**Figure 8.1 Battery Charging External Power Supply**

If the OEM provides an external supply capable of supplying current per the battery charging specification, the hub can be configured to indicate the presence of such a supply to the device. This indication, per the PRTCTLA output, is for all downstream ports.

**Note:** Battery charging is not available on downstream HSIC ports.

#### 8.1.2.1 Downstream Battery Charging Modes

In the terminology of the USB Battery Charging Specification, if a port is configured to support battery charging, the downstream port is considered a CDP (Charging Downstream Port) if connected to a USB host, or a DCP (Dedicated Charging Port) if not connected to a USB host. If the port is not configured to support battery charging, the port is considered an SDP (Standard Downstream Port). All charging ports have electrical characteristics different from standard non-charging ports.

A downstream port will behave as a CDP, DCP, or SDP depending on the port's configuration and mode of operation. The port will not switch between a CDP/DCP or SDP at any time after initial power-up and configuration. A downstream port can be in one of three modes shown in the table below.

**Table 8.3 Downstream Port Types**

USB ATTACH TYPE	DP/DM PROFILE
DCP (Dedicated Charging Port)	Apple charging mode or China Mode (Shorted < 200ohm) or SMSC custom mode
CDP (Charging Downstream Port)	VDP reflected to VDM
SDP (Standard Downstream Port) USB Host or downstream hub port	15Kohm pull-down on DP and DM

### 8.1.2.2 Downstream Battery Charging Configuration

Configuration of ports to support battery charging is performed via USB configuration, SMBus configuration, or OTP. The Battery Charging Enable Register provides per port battery charging configuration. Starting from bit 1, this register enables battery charging for each down stream port when asserted. Bit 1 represents port 1 and so on. Each port with battery charging enabled asserts the corresponding PRTPWR register bit.

### 8.1.2.3 Downstream Over-Current Management

It is the devices responsibility to manage over-current conditions. Over-Current Sense (OCS) is handled according to the USB specification. For battery charging ports, PRTPWRA is driven high (asserted) after hardware initialization. If an OCS event occurs, the PRTPWRA is negated.

If there is an over-current event in DCP mode, the port is turned off for one second and is then re-enabled. If the OCS event persists, the cycle is repeated for a total of three times. If after three attempts, the OCS still persists, the cycle is still repeated, but with a retry interval of ten seconds. This retry persists for indefinitely. The indefinite retry prevents a defective device from permanently disabling the port.

In CDP or SDP mode, the port power and over-current events are controlled by the USB host. The OCS event does not have to be registered. When and if the hub is connected to a host, the host will initialize the hub and enable its port power. If the over current still exists, it will be notified at that point.

## 8.2 Flex Connect

This feature allows the upstream port to be swapped with downstream physical port 1. Only downstream port 1 can be swapped physically. Using port remapping, any logical port (number assignment) can be swapped with the upstream port (non-physical).

Flex Connect is enabled/disabled via two control bits in the [Connect Configuration Register](#). The FLEXCONNECT configuration bit switches the port, and EN\_FLEX\_MODE enables the mode.

### 8.2.1 Port Control

Once EN\_FLEX\_MODE bit is set, the functions of certain pins change, as outlined below.

If EN\_FLEX\_MODE is set and FLEXCONNECT is not set:

1. SUSPEND outputs '0' to keep any upstream power controller off

If EN\_FLEX\_MODE is set and FLEXCONNECT is set:

1. The normal upstream VBUS pin becomes a don't care
2. SUSPEND becomes PRTPWR1/OCS1\_N for the port power controller for the connector port

## 8.3 Resets

The device has the following chip level reset sources:

- Power-On Reset (POR)
- External Chip Reset (RESET\_N)
- USB Bus Reset

### 8.3.1 Power-On Reset (POR)

A power-on reset occurs whenever power is initially supplied to the device, or if power is removed and reapplied to the device. A timer within the device will assert the internal reset per the specifications listed in [Section 9.5.1, "Power-On Configuration Strap Valid Timing," on page 62](#).

### 8.3.2 External Chip Reset (RESET\_N)

A valid hardware reset is defined as assertion of RESET\_N, after all power supplies are within operating range, per the specifications in [Section 9.5.2, "Reset and Configuration Strap Timing," on page 63](#). While reset is asserted, the device (and its associated external circuitry) enters Standby Mode and consumes minimal current.

Assertion of RESET\_N causes the following:

1. The PHY is disabled and the differential pairs will be in a high-impedance state.
2. All transactions immediately terminate; no states are saved.
3. All internal registers return to the default state.
4. The external crystal oscillator is halted.
5. The PLL is halted.
6. The HSIC Strobe and Data pins are driven low.

**Note:** All power supplies must have reached the operating levels mandated in [Section 9.2, "Operating Conditions\\*\\*,"](#) on page 58, prior to (or coincident with) the assertion of RESET\_N.

### 8.3.3 USB Bus Reset

In response to the upstream port signaling a reset to the device, the device performs the following:

**Note:** The device does not propagate the upstream USB reset to downstream devices.

1. Sets default address to 0.
2. Sets configuration to: Unconfigured.
3. Moves device from suspended to active (if suspended).
4. Complies with Section 11.10 of the USB 2.0 Specification for behavior after completion of the reset sequence.

The host then configures the device in accordance with the USB Specification.

## 8.4 Reference Clock

The device's reference clock (REFCLK) input can be driven with a square wave from 0V to VDD33 and is compatible with several different reference frequencies as shown in [Table 8.4](#). The REFSEL[1:0] inputs must be configured to select the default input reference clock frequency that matches the clock frequency applied to REFCLK. The REFSEL[1:0] inputs are latched upon entering the HUB.config stage and are ignored afterward. REFSEL[1:0] settings are provided in [Table 8.4](#).

**Note:** The frequencies shown for each REFSEL[1:0] combination in [Table 8.4](#) are the default values. The frequencies associated with each specific REFSEL[1:0] value can be customized to support other frequencies. Refer to the SMSC Pro-Touch Configuration Tool documentation for additional information.

**Table 8.4 Default Reference Clock Frequencies**

REFSEL[1:0]	FREQUENCY (MHz)
'00'	38.4
'01'	26.0
'10'	19.2
'11'	12.0

## 8.5 Hub Connect (HUB\_CONN)

HUB\_CONN is the equivalent of VBUS. The device will connect to the upstream host when either of the following conditions are met:

- If there is no I<sup>2</sup>C master present, the device will attach when HUB\_CONN is high.
- If there is an I<sup>2</sup>C master present, the device will wait until the master has configured the device and signalled completion by setting USB\_ATTACH in the STCD register. Once the USB\_ATTACH bit is set, the device will connect once HUB\_CONN is high.

Refer to [Section 5.1.9, "Hub Connect Stage \(Hub.Connect\),"](#) on page 22 for additional information.

## 8.6 Link Power Management (LPM)

The device supports the L0 (On), L1 (Sleep), and L2 (Suspend) link power management states per the USB 2.0 Link Power Management Addendum. These supported LPM states offer low transitional latencies in the tens of microseconds versus the much longer latencies of the traditional USB suspend/resume in the tens of milliseconds. The supported LPM states are detailed in [Table 8.5](#). For additional information, refer to the USB 2.0 Link Power Management Addendum.

**Table 8.5 LPM State Definitions**

STATE	DESCRIPTION	ENTRY/EXIT TIME TO L0
L2	Suspend	Entry: ~3 ms Exit: ~2 ms
L1	Sleep	Entry: ~65 us Exit: ~100 us
L0	Fully Enabled (On)	-

**Note:** State change timing is approximate and is measured by change in power consumption.

**Note:** System clocks are stopped only in suspend mode or when power is removed from the device.

## 8.7 Suspend (SUSPEND)

When enabled, the SUSPEND signal can be used to indicate that the entire hub has entered the USB suspend state and that VBUS current consumption should be reduced in accordance with the USB specification. Selective suspend set by the host on downstream hub ports have no effect on this signal because there is no requirement to reduce current consumption from the upstream VBUS. Suspend can be used by the system to monitor and dynamically adjust how much current the PMIC draws from VBUS to charge the battery in the system during a USB session. Because it is a level indication, it will assert or negate to reflect the current status of suspend without any interaction through the SMBus.

A negation of this signal indicates no level suspend interrupt and device has been configured by the USB Host. The full configured current can be drawn from the USB VBUS pin on the USB connector for charging - up to 500mA - depending on descriptor settings. When asserted, this signal indicates a suspend interrupt or that the device has not yet been configured by USB Host. The current draw can be limited by the system according to the USB specification. The USB specification limits current to 100mA before configuration, and up to 12.5mA in USB suspend mode.

## 8.8 Interrupt Requests (IRQ\_N)

The IRQ\_N I<sup>2</sup>C request input pin may be used by the SOC when it desires to communicate with the device during the HUB.Communication stage, assuring the device's SMBus is active and ready to respond - even during USB suspend. In order to meet USB suspend current limits, most blocks in the device, including the SMBus controller, are in a low power state and are not capable of operation.

When the device observes the assertion of IRQ\_N, if the device is in suspend mode, it will enable to PLL and allow serial communication to be achieved. When the IRQ\_N pin is negated the device will return to its normal suspend current consumption. The IRQ\_N alternate function can be implemented at the same time as the INT\_N interrupt output, on the same physical pin.

**Note:** Asserting the IRQ\_N input while the device is in suspend mode will increase the instantaneous current consumption above the average suspend current requirement. Therefore, this feature should be used briefly and sparingly.

## 8.9 Interrupt Output (INT\_N)

INT\_N is a general interrupt pin intended to communicate select condition changes within the device. The conditions which may cause an interrupt are detailed in the . The conditions which cause the interrupt to assert can be controlled through use of the [Serial Port Interrupt Mask Register](#).

The general interrupt and all interrupt conditions are functionally latched and event driven. Once the interrupt or any of the conditions have asserted, the status bit will remain asserted until the SOC negates the bit using the SMBus. The bits will then remain negated until a new event condition occurs. The latching nature of the register causes the status to remain even if the condition that caused the interrupt ceases to be active. The event driven nature of the register causes the interrupt to only occur when a new event occurs - when a condition is removed and then is applied again. For example, if the battery charger detection routine has completed and the SOC negates the interrupt status, it will not cause an interrupt just because the charger detection is still completed. A new charger detection routine must run before the associated interrupt will assert again.



## Chapter 9 Operational Characteristics

### 9.1 Absolute Maximum Ratings\*

VBAT Supply Voltage (Note 9.1)	0 V to +5.5 V
VDDCOREGREG Supply Voltage (Note 9.1)	0 V to +3.6 V
Positive voltage on input signal pins, with respect to ground (Note 9.2)	3.6 V
Negative voltage on input signal pins, with respect to ground (Note 9.3)	-0.5 V
Positive voltage on REFCLK, with respect to ground	VDDCR12
Positive voltage on HSIC signals, with respect to ground	1.32 V
Positive voltage on USB DP/DM signals, with respect to ground (Note 9.4)	5.5 V
Storage Temperature	-55°C to +150°C
Lead Temperature Range	Refer to JEDEC Spec. J-STD-020
HBM ESD Performance	JEDEC Class 3A

**Note 9.1** When powering this device from laboratory or system power supplies, it is important that the absolute maximum ratings not be exceeded or device failure can result. Some power supplies exhibit voltage spikes on their outputs when AC power is switched on or off. In addition, voltage transients on the AC power line may appear on the DC output. If this possibility exists, it is suggested to use a clamp circuit.

**Note 9.2** This rating does not apply to the following signals: All USB DM/DP pins, REFCLK, and all HSIC signals.

**Note 9.3** This rating does not apply to the HSIC signals.

**Note 9.4** This rating applies only when VDD33 is powered.

\*Stresses exceeding those listed in this section could cause permanent damage to the device. This is a stress rating only. Exposure to absolute maximum rating conditions for extended periods may affect device reliability. Functional operation of the device at any condition exceeding those indicated in Section 9.2, "Operating Conditions\*\*", Section 9.4, "DC Specifications", or any other applicable section of this specification is not implied. Note, device signals are NOT 5 volt tolerant unless specified otherwise.

## 9.2 Operating Conditions\*\*

VBAT Supply Voltage .....	+2.9 V to +5.5 V
VDDCOREREG Supply Voltage .....	Note 9.5
Power Supply Rise Time .....	Note 9.6
Ambient Operating Temperature in Still Air ( $T_A$ ) .....	Note 9.7

**Note 9.5** +1.6 V to +2.0 V when VDDCOREREG is connected to an external +1.8V power supply, +3.0 V to +3.6 V when VDDCOREREG is connected to VDD33.

**Note 9.6** The power supply rise time requirements vary dependent on the usage of the external reset (RESET\_N). If RESET\_N is asserted at power-on, the power supply rise time must be 10mS or less ( $t_{RT(max)} = 10mS$ ). If RESET\_N is not used at power-on (tied high), the power supply rise time must be 1mS or less ( $t_{RT(max)} = 1mS$ ). Higher voltage supplies must always be at an equal or higher voltage than lower voltage supplies. Figure 9.1 illustrates the supply rise time requirements.

**Note 9.7** 0°C to +70°C for commercial version, -40°C to +85°C for industrial version.

\*\*Proper operation of the device is guaranteed only within the ranges specified in this section.

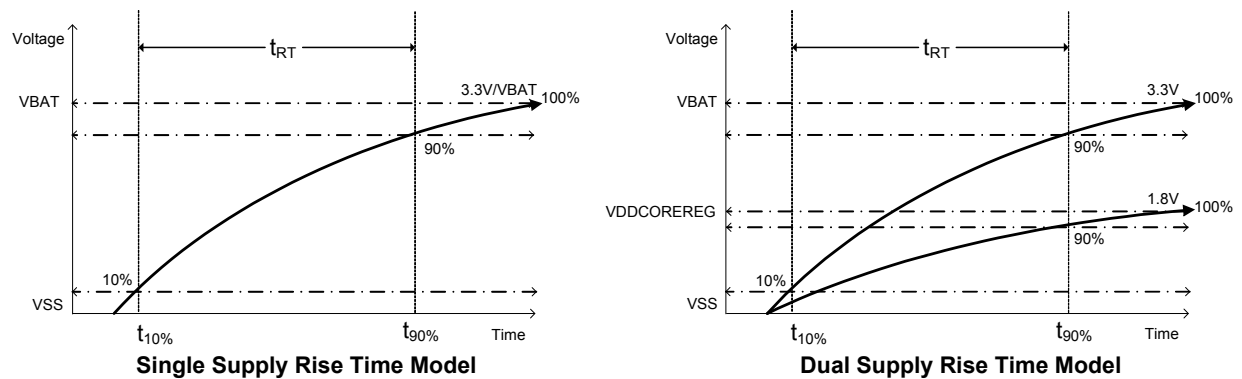


Figure 9.1 Single/Dual Supply Rise Time Models

## 9.3 Power Consumption

This section details the power consumption of the device as measured during various modes of operation. Power dissipation is determined by temperature, supply voltage, and external source/sink requirements.

### 9.3.1 Operational / Unconfigured

**Table 9.1 Operational/Unconfigured Power Consumption**

	TYPICAL (mA)		MAXIMUM (mA)	
	VBAT	VDDCOREREG	VBAT	VDDCOREREG
HS Host / 1 HSIC Device	10	25	10	30
HS Host / 1 HS Devices	20	30	25	35
HS Host / 2 HS Devices	45	40	50	45
HS Host / 1 HSIC, 2 HS Devices	45	45	55	55
HS Host / 1 FS Device	10	25	15	30
HS Host / 2 FS Devices	20	25	25	35
HS Host / 1HSIC, 2 FS Devices	15	30	20	40
Unconfigured	10	20	-	-

### 9.3.2 Suspend / Standby

#### 9.3.2.1 Single Supply

The following table details the device power consumption when configured with a single VBAT supply. For additional information on power connections, refer to [Chapter 4, "Power Connections,"](#) on page 17.

**Table 9.2 Single Supply Suspend/Standby Power Consumption**

MODE	SYMBOL	TYPICAL @ 25°C	COMMERCIAL MAX	INDUSTRIAL MAX	UNIT
Suspend	$I_{VBAT}$	300	1200	1550	uA
Standby	$I_{VBAT}$	0.2	1.9	2.2	uA

**Note:** Typical values measured with VBAT = 4.2V. Maximum values measured with VBAT = 5.5V.

### 9.3.2.2 Dual Supply

The following table details the device power consumption when configured with a dual supply (VBAT and 1.8V VDDCOREREG) For additional information on power connections, refer to [Chapter 4, "Power Connections,"](#) on page 17.

**Table 9.3 Dual Supply Suspend/Standby Power Consumption**

MODE	SYMBOL	TYPICAL @ 25°C	COMMERCIAL MAX	INDUSTRIAL MAX	UNIT
Suspend	I <sub>VDDCOREREG</sub>	90	850	1300	uA
	I <sub>VBAT</sub>	30	1350	1350	uA
Standby	I <sub>VDDCOREREG</sub>	0.1	1.2	2.0	uA
	I <sub>VBAT</sub>	0.2	2.1	2.5	uA

**Note:** Typical values measured with VBAT = 4.2V, VDDCOREREG = 1.8V. Maximum values measured with VBAT = 5.5V, VDDCOREREG = 2.0V.

## 9.4 DC Specifications

Table 9.4 DC Electrical Characteristics

PARAMETER	SYMBOL	MIN	TYP	MAX	UNITS	NOTES
<b>IS Type Input Buffer</b>						
Low Input Level	$V_{IL}$	-0.3		0.8	V	
High Input Level	$V_{IH}$	2.0		3.6	V	
<b>I_RST Type Input Buffer</b>						
Low Input Level	$V_{IL}$	-0.3		0.4	V	
High Input Level	$V_{IH}$	1.25		3.6	V	
<b>I_SMB Type Input Buffer</b>						
Low Input Level	$V_{IL}$	-0.3		0.35	V	
High Input Level	$V_{IH}$	1.25		3.6	V	
<b>O8 Type Buffers</b>						
Low Output Level	$V_{OL}$			0.4	V	$I_{OL} = 8 \text{ mA}$
High Output Level	$V_{OH}$	VDD33 - 0.4			V	$I_{OH} = -8 \text{ mA}$
<b>OD8 Type Buffer</b>						
Low Output Level	$V_{OL}$			0.4	V	$I_{OL} = 8 \text{ mA}$
<b>O12 Type Buffers</b>						
Low Output Level	$V_{OL}$			0.4	V	$I_{OL} = 12 \text{ mA}$
High Output Level	$V_{OH}$	VDD33 - 0.4			V	$I_{OH} = -12 \text{ mA}$
<b>HSIC Type Buffers</b>						
Low Input Level	$V_{IL}$	-0.3		$0.35 \cdot V_{DDCR12}$	V	
High Input Level	$V_{IH}$	$0.65 \cdot V_{DDCR12}$		$V_{DDCR12} + 0.3$	V	
Low Output Level	$V_{OL}$			$0.25 \cdot V_{DDCR12}$	V	
High Output Level	$V_{OH}$	$0.75 \cdot V_{DDCR12}$			V	
<b>ICLK Type Buffer (REFCLK Input)</b>						
Low Input Level	$V_{IL}$	-0.3		0.35	V	
High Input Level	$V_{IH}$	0.8		$V_{DDCR12}$	V	

## 9.5 AC Specifications

This section details the various AC timing specifications of the device.

### 9.5.1 Power-On Configuration Strap Valid Timing

Figure 9.2 illustrates the configuration strap timing requirements, in relation to power-on, for applications where RESET\_N is not used at power-on. The operational levels ( $V_{opp}$ ) for the external power supplies are detailed in Section 9.2, "Operating Conditions\*\*," on page 58.

**Note:** For RESET\_N configuration strap timing requirements, refer to Section 9.5.2, "Reset and Configuration Strap Timing," on page 63.

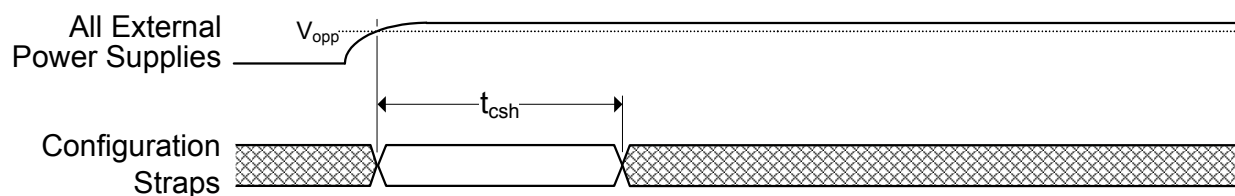


Figure 9.2 Power-On Configuration Strap Valid Timing

Table 9.5 Power-On Configuration Strap Valid Timing

SYMBOL	DESCRIPTION	MIN	TYP	MAX	UNITS
$t_{csh}$	Configuration strap hold after external power supplies at operational levels	1			ms

### 9.5.2 Reset and Configuration Strap Timing

Figure 9.3 illustrates the RESET\_N timing requirements and its relation to the configuration strap signals. Assertion of RESET\_N is not a requirement. However, if used, it must be asserted for the minimum period specified.

Refer to Section 8.3, "Resets," on page 53 for additional information on resets. Refer to Section 6.3, "Device Configuration Straps," on page 27 for additional information on configuration straps.

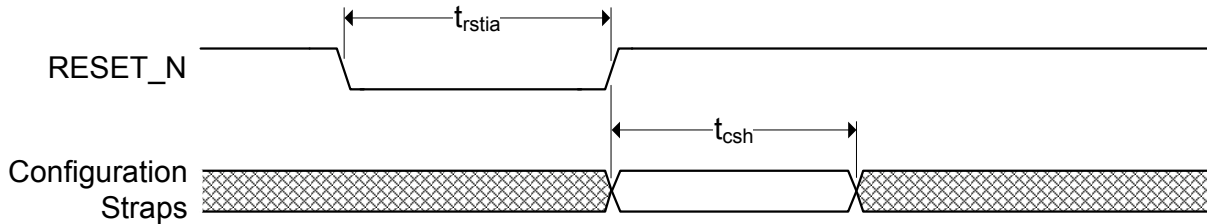


Figure 9.3 RESET\_N Configuration Strap Timing

Table 9.6 RESET\_N Configuration Strap Timing

SYMBOL	DESCRIPTION	MIN	TYP	MAX	UNITS
$t_{rstia}$	RESET_N input assertion time	5			us
$t_{csh}$	Configuration strap hold after RESET_N deassertion	1			ms

### 9.5.3 USB Timing

All device USB signals conform to the voltage, power, and timing characteristics/specifications as set forth in the *Universal Serial Bus Specification*. Please refer to the *Universal Serial Bus Specification*, Revision 2.0, available at <http://www.usb.org>.

### 9.5.4 HSIC Timing

All device HSIC signals conform to the voltage, power, and timing characteristics/specifications as set forth in the *High-Speed Inter-Chip USB Electrical Specification*. Please refer to the *High-Speed Inter-Chip USB Electrical Specification*, Version 1.0, available at <http://www.usb.org>.

### 9.5.5 SMBus Timing

All device SMBus signals conform to the voltage, power, and timing characteristics/specifications as set forth in the *System Management Bus Specification*. Please refer to the *System Management Bus Specification*, Version 1.0, available at <http://smbus.org/specs>.

### 9.5.6 I<sup>2</sup>C Timing

All device I<sup>2</sup>C signals conform to the 100KHz Standard Mode (Sm) voltage, power, and timing characteristics/specifications as set forth in the *I<sup>2</sup>C-Bus Specification*. Please refer to the *I<sup>2</sup>C-Bus Specification*, available at <http://www.nxp.com>.

### 9.5.7 SPI Timing

The following specifies the SPI timing requirements for the device.

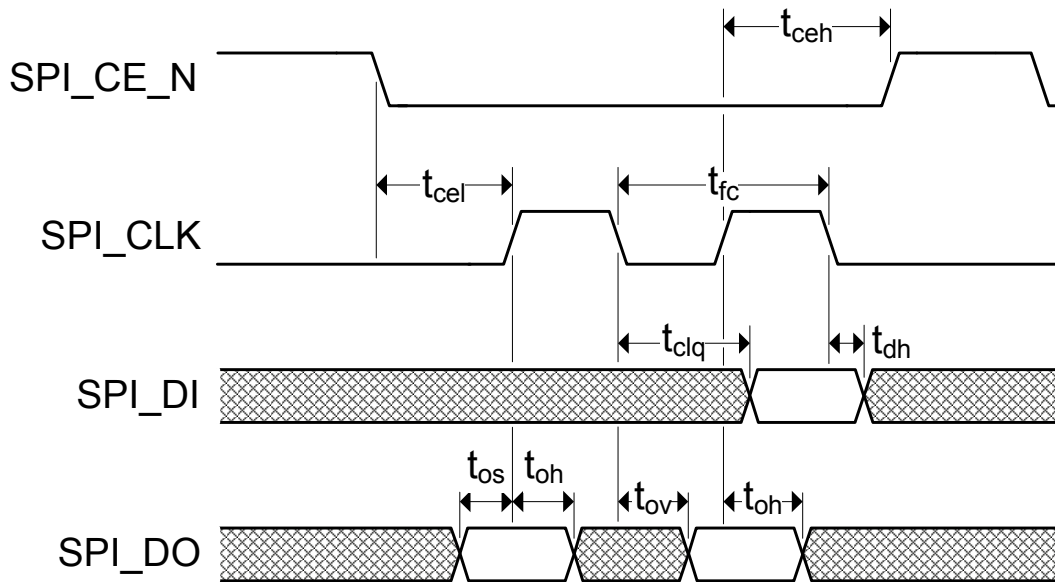


Figure 9.4 SPI Timing

**Note:** The SPI can be configured for 30 MHz or 60 MHz operation via the SPI\_SPD\_SEL configuration strap. 30 MHz operation timing values are shown in [Table 9.7](#). 60 MHz operation timing values are shown in [Table 9.8](#).

Table 9.7 SPI Timing Values (30 MHz Operation)

SYMBOL	DESCRIPTION	MIN	TYP	MAX	UNITS
$t_{fc}$	Clock frequency			30	MHz
$t_{ceh}$	Chip enable (SPI_CE_EN) high time	100			ns
$t_{clq}$	Clock to input data			13	ns
$t_{dh}$	Input data hold time	0			ns
$t_{os}$	Output setup time	5			ns
$t_{oh}$	Output hold time	5			ns
$t_{ov}$	Clock to output valid	4			ns
$t_{cel}$	Chip enable (SPI_CE_EN) low to first clock	12			ns
$t_{ceh}$	Last clock to chip enable (SPI_CE_EN) high	12			ns



**Table 9.8 SPI Timing Values (60 MHz Operation)**

SYMBOL	DESCRIPTION	MIN	TYP	MAX	UNITS
$t_{fc}$	Clock frequency			60	MHz
$t_{ceh}$	Chip enable (SPI_CE_EN) high time	50			ns
$t_{clq}$	Clock to input data			9	ns
$t_{dh}$	Input data hold time	0			ns
$t_{os}$	Output setup time	5			ns
$t_{oh}$	Output hold time	5			ns
$t_{ov}$	Clock to output valid	4			ns
$t_{cel}$	Chip enable (SPI_CE_EN) low to first clock	12			ns
$t_{ceh}$	Last clock to chip enable (SPI_CE_EN) high	12			ns

## 9.6 Clock Specifications

The device can accept a 24 MHz single-ended clock oscillator input. REFCLK should be driven with a clock that adheres to the specifications outlined in [Section 9.6.1, "External Reference Clock \(REFCLK\)"](#).

### 9.6.1 External Reference Clock (REFCLK)

The following input clock specifications are suggested:

- 50% duty cycle  $\pm$  10%
- $\pm$  350 PPM

The input frequency of REFCLK is user configurable. Refer to [Section 8.4, "Reference Clock"](#) for additional information on configuring a reference clock input.

**Note:** The external clock is recommended to conform to the signalling levels designated in the JEDEC specification on 1.2V CMOS Logic.

# Chapter 10 Package Outline

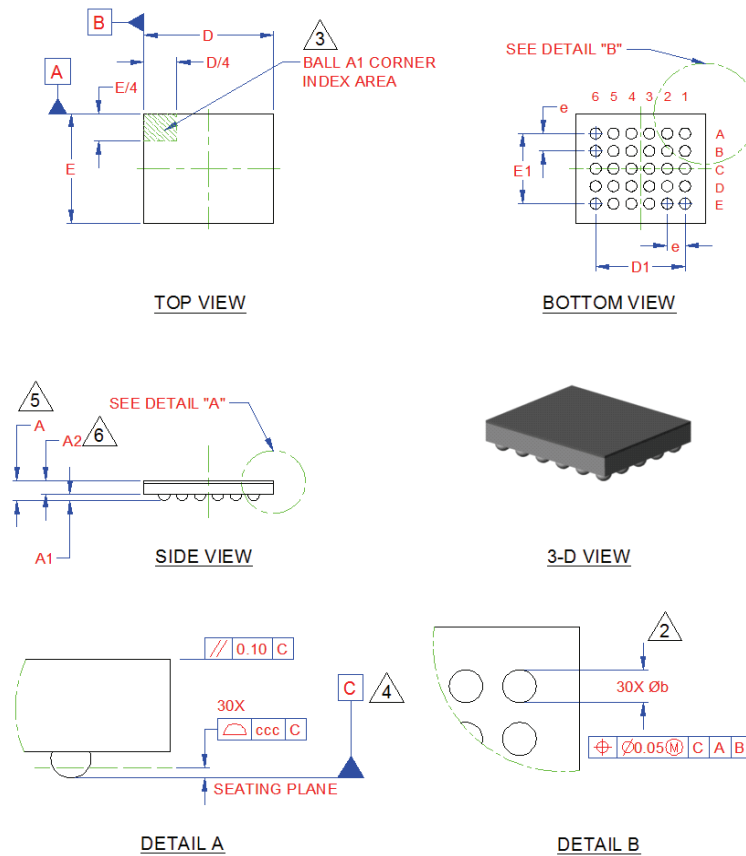


Figure 10.1 30-WLCSP Package

Table 10.1 30-WLCSP Dimensions

	MIN	NOMINAL	MAX	REMARKS
A	-	0.56	0.62	Overall Package Height
A1	0.16	0.20	0.24	Standoff
A2	-	-	0.38	Package Thickness
D	2.87	2.90	2.93	X Die Size
E	2.47	2.50	2.53	Y Die Size
D1	2.00 BSC			X End Balls Distance
E1	1.60 BSC			Y End Balls Distance
b	0.20	0.25	0.30	Ball Diameter
e	0.40 BSC			Ball Pitch
ccc	0	-	0.05	Coplanarity

**Notes:**

1. All dimensions are in millimeters unless otherwise noted.
2. Dimension "b" is measured at the maximum ball diameter parallel to primary datum "C".
3. The ball A1 identifier may vary, but is always located within the zone indicated.

4. Primary datum "C" and the seating plane are defined by the spherical crowns of the contact solder balls.
5. Dimension "A" does not include attached external features, such as a heat sink or chip capacitors. Dimension "A(max)" is given for the extremely thin variation of the package profile height.
6. Dimension "A2" includes a die coating thickness.

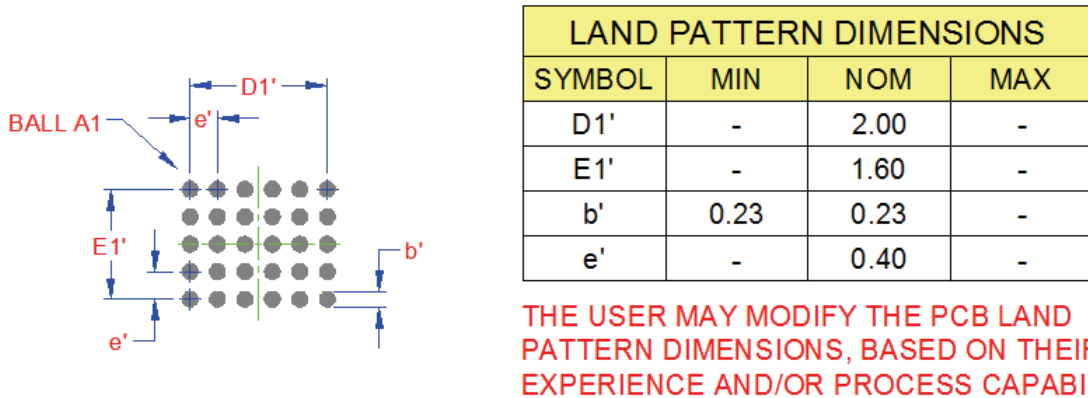


Figure 10.2 30-WLCSP Recommended Land Pattern

## Chapter 11 Datasheet Revision History

Table 11.1 Revision History

<b>REVISION LEVEL &amp; DATE</b>	<b>SECTION/FIGURE/ENTRY</b>	<b>CORRECTION</b>
Rev. 1.0 (06-17-13)	Initial Release	



Компания «ЭлектроПласт» предлагает заключение долгосрочных отношений при поставках импортных электронных компонентов на взаимовыгодных условиях!

Наши преимущества:

- Оперативные поставки широкого спектра электронных компонентов отечественного и импортного производства напрямую от производителей и с крупнейших мировых складов;
- Поставка более 17-ти миллионов наименований электронных компонентов;
- Поставка сложных, дефицитных, либо снятых с производства позиций;
- Оперативные сроки поставки под заказ (от 5 рабочих дней);
- Экспресс доставка в любую точку России;
- Техническая поддержка проекта, помощь в подборе аналогов, поставка прототипов;
- Система менеджмента качества сертифицирована по Международному стандарту ISO 9001;
- Лицензия ФСБ на осуществление работ с использованием сведений, составляющих государственную тайну;
- Поставка специализированных компонентов (Xilinx, Altera, Analog Devices, Intersil, Interpoint, Microsemi, Aeroflex, Peregrine, Syfer, Eurofarad, Texas Instrument, Miteq, Cobham, E2V, MA-COM, Hittite, Mini-Circuits, General Dynamics и др.);

Помимо этого, одним из направлений компании «ЭлектроПласт» является направление «Источники питания». Мы предлагаем Вам помощь Конструкторского отдела:

- Подбор оптимального решения, техническое обоснование при выборе компонента;
- Подбор аналогов;
- Консультации по применению компонента;
- Поставка образцов и прототипов;
- Техническая поддержка проекта;
- Защита от снятия компонента с производства.



#### Как с нами связаться

**Телефон:** 8 (812) 309 58 32 (многоканальный)

**Факс:** 8 (812) 320-02-42

**Электронная почта:** [org@eplast1.ru](mailto:org@eplast1.ru)

**Адрес:** 198099, г. Санкт-Петербург, ул. Калинина, дом 2, корпус 4, литера А.