

Valve Position Indicator

DESCRIPTION

Valve Position Indicator, VPX Series switches are built especially for outdoor use in potentially hazardous atmospheres. The switch enclosures are constructed to withstand the pressure of an internal explosion. Flame paths cool the exploded gases to a point less than the lowest safe operating temperature of the surrounding gas. The VPX Series versions equipped with the inductive proximity switches has the Intrinsically Safe (IS) rating. Regardless of where the equipment or machinery is designed, built or installed, the VPX Series products carry global agency coverage.

The VPX Series switches have standard rugged die-cast aluminum housing. The products housing is weather sealed for outdoor use and comply with NEMA 4X requirement for protection against corrosion, in addition to various NEMA enclosure standards.

The product's o-ring seals make the enclosure rain tight, but are outside of required flame paths so explosion proof requirements are maintained. The VPX Series switches are available in multiple colors and angles, visible from all directions. Unless special ordered, all basic switches operate on clockwise and counterclockwise rotation.

DIFFERENTIATION

- With numerous environmental ratings (Ingress Protection and NEMA), the VPX Series is protected for all kinds of outdoor conditions
- VPX Series is certified flame-proof, explosion-proof and Intrinsically Safe (optional), thereby making the product safe for a wide variety of potentially hazardous area applications
- The Safety Integrity Level, SIL 3 certification, puts the VPX Series in the higher safety category as compared to its competitors

VALUE TO CUSTOMERS

- cULus, ATEX, IEC EX, NEPSI, and KOSHA certified for hazardous (explosive) environments
- Designed with the end user in mind, these switches help to create user-friendly interfaces with broad applications possibilities to help meet the challenges of many different environments
- Weather sealed to NEMA and IP ratings
- Reliable, dependable and accurate
- Versions available in both snap-action switches and intrinsically safe inductive proximity switches

POTENTIAL APPLICATIONS

- Seaside grain and fuel loading docks
- Oil and gas wells
- Refineries
- Fuel storage facilities
- Mining
- Petrochemical and chemical plants
- Waste water treatment facilities
- Oil and gas production pipeline networks
- Paint batching/blending plants
- Pharmaceuticals and drug processing plants
- Food and beverage industries
- Pesticides manufacturing plants
- Textile dyeing and finishing plants
- Lead acid battery manufacturing facilities



FEATURES

- VPX Series switches are certified for ATEX, IEC Ex, CE, cULus, NEPSI, and KOSHA specifications for global applications that requires protection from explosive gases, vapors & combustible dust
- Die-cast aluminum housing and various sealing (NEMA 4, 4X, 6, and 13), certifies the VPX Series is rated for rain, wind, snow, ice and blowing dust environments
- Wide operating temperature range from -40 °C to 80 °C (see Table 1 for detailed specifications)
- Versions of the VPX with proximity switches carry an Intrinsically Safe (IS) rating
- Well suited for up to 500,000 actuation cycles
- Available in multiple indicator colors that is visible from all directions



PORTFOLIO

The VPX Series joins the CX Series of valve position indicator switches for hazardous areas applications. The standard offerings of the VPX Series is certified for flammable gases, vapors and combustible dust. The VPX Series also offers the Intrinsically Safe versions (optional). To view the entire product portfolio, [click here](#).

VALVE POSITION INDICATOR, VPX SERIES

FIGURE 1. PRODUCT NOMENCLATURE

VPX	1	C	2A	A	GR	1	A	2A	1	- - -
Series	Enclosure Material	Origin and Certifications	Switch Options	Indicator Angle	Indicator Color	Shaft End	Shaft Rotation	Conduit Entry	Number of Conduit Plugs	Specials
VPX Series Valve Position Indicator	1 Aluminum	A Standard IEC Ex, ATEX, CE, NEPSI	2A 2X snap action SPDT	A 45°	GR Green (open) Red (closed)	1 Namur	A 360° continuous	2A (2) 1/2-14 NPT (A & D)	Leave blank for no plugs	Up to two letters or numbers to indicate a special feature.
			C Premium IEC Ex, ATEX, cULus, CE, SIL3, NEPSI, KOSHA	4A 4X snap action SPDT	B 90°	BY Black (open) Yellow (closed)	2 1/4 in flats	B ±90°	2B (2) 3/4-14 NPT (A & D)	
		2B 2X snap action SPDT, gold contacts		YB Yellow (open) Black (closed)	3 Ø7.25 knurl for ex. lever		2C (2) M20 x 1.5 (A & D)	2 2 plugs		
		4B 4X snap action SPDT, gold contacts		RY Red (open) Yellow (closed)			2D (2) M25 x 1.5 (A & D)	3 3 plugs		
		2C 2X I.S. inductive proximity switch (Namur)		GY Green (open) Yellow (closed)			3B (3) 3/4-14 NPT (A, B, & D)	Indicate how many plugs should be included. Any unused conduit entries must be sealed with a blanking element certified to the hazardous location environment (or better). Plugs can also be purchased separately. (see page 7).		
			RY Red (open) Green (closed)			4C (4) M20 x 1.5				
			YR Yellow (open) Red (closed)			4D (4) M25 x 1.5				
			YG Yellow (open) Green (closed)			4F (2) 1/2-14 NPT (B & D) & (2) 3/4-14 NPT (A & D)				

TABLE 2. OPERATING CHARACTERISTICS

CHARACTERISTIC	PARAMETER
Operating torque	1,0 Nm [8.9 in-lb] max.
Operating point	Adjustable to any angle in 4° increments
Factory set points for 4-switch option	Switches 1 & 2: 25° ±25° when the shaft is rotated clockwise
	Switches 3 & 4 (45° indicator): 45° ±25° when the shaft is rotated counterclockwise
	Switches 3 & 4 (90° indicator): 90° ±25° when the shaft is rotated counterclockwise
Factory set points for 2-switch option	Switch 1: 25° ±25° when the shaft is rotated clockwise
	Switch 2 (45° indicator): 45° ±25° when the shaft is rotated counterclockwise
	Switch 2 (90° indicator): 90° ±25° when the shaft is rotated counterclockwise

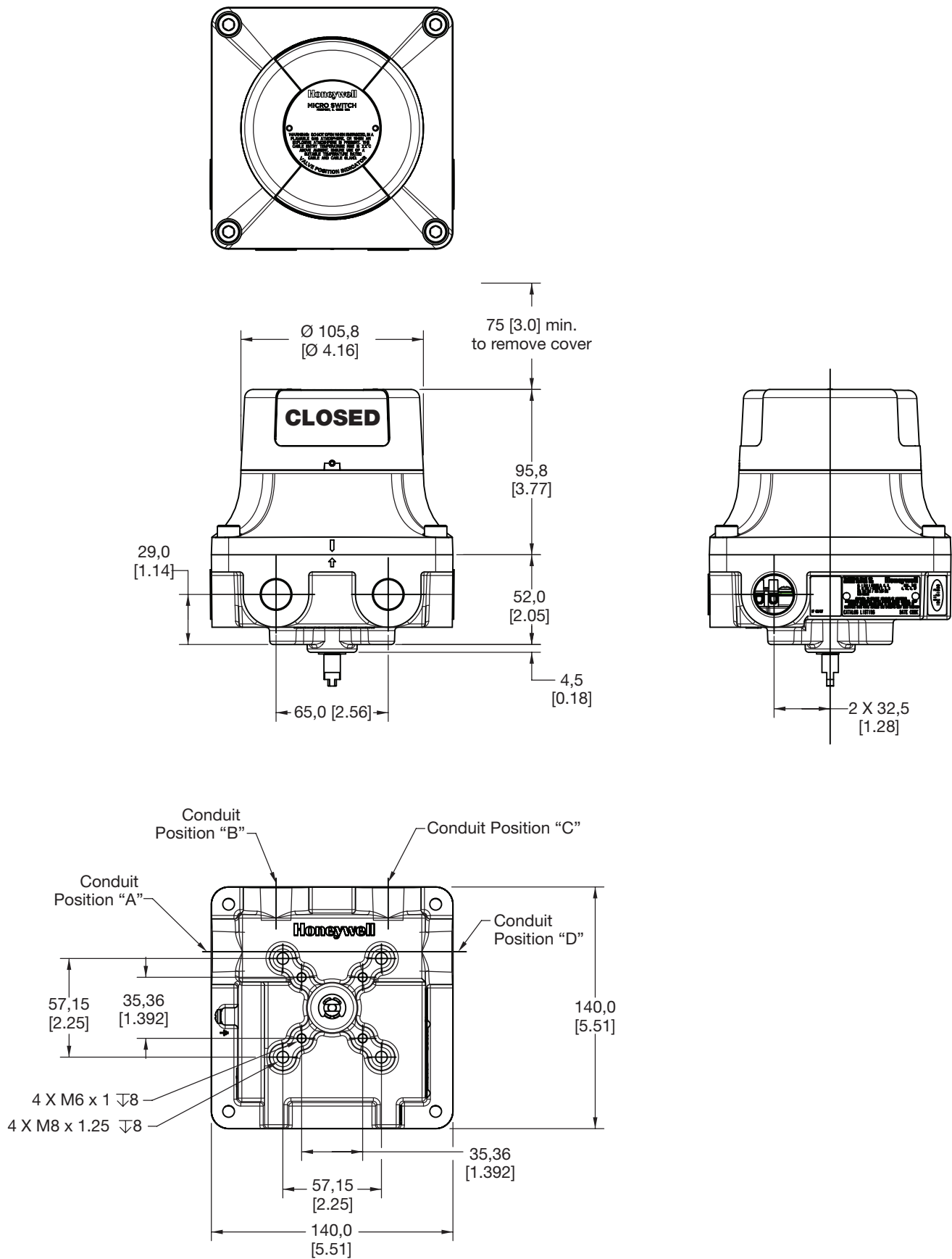
VALVE POSITION INDICATOR, VPX SERIES

TABLE 4. ORDER GUIDE

Catalog Listing	Certifications		Temperature Rating			Temperature Class		Hazardous Location Approvals					Switch Options				Indicator Angle		Indicator Color				Shaft			Conduit											
	Premium	Standard	-40 °C to 50 °C	-40 °C to 60 °C	-40 °C to 80 °C	T6	T4	IEC Ex	ATEX	cULus	KOSHA	NEPSI	2X snap action	4X snap action	2X I.S. Prox	Gold-plated contacts	45°	90°	Green/Red	Black/Yellow	Red/Yellow	Green/Yellow	NAMUR	1/4 in flats	Knurl	360°	±90°	(2) 1/2-14 NPT (A&D)	(2) 3/4-14 NPT (A&D)	(2) M20 x 1.5 (A&D)	(2) M25 x 1.5 (A&D)	(3) 3/4-14 NPT (A, B&D)	(4) M20 x 1.5	(4) M25 x 1.5	(2) 1/2-14 & (2) 3/4-14		
VPX1C2ABGR1A2A	✓		✓		✓		✓	✓	✓	✓	✓	✓					✓	✓				✓			✓												
VPX1C2ABGR1A2B	✓		✓		✓		✓	✓	✓	✓	✓	✓						✓	✓				✓			✓											
VPX1C2ABGR1A4F	✓		✓		✓		✓	✓	✓	✓	✓	✓						✓	✓				✓			✓											✓
VPX1C2ABYB1A2A	✓		✓		✓		✓	✓	✓	✓	✓	✓						✓		✓			✓			✓											
VPX1A2BBBY1B2A2		✓	✓		✓		✓	✓				✓				✓		✓					✓			✓											
VPX1C2AAYB1A2B	✓		✓		✓		✓	✓	✓	✓	✓	✓					✓			✓			✓			✓											
VPX1C2ABGR1A2C	✓		✓		✓		✓	✓	✓	✓	✓	✓						✓	✓				✓			✓											
VPX1C2ABYB1A2A	✓		✓		✓		✓	✓	✓	✓	✓	✓						✓		✓			✓			✓											
VPX1C2ABYB1A2A2	✓		✓		✓		✓	✓	✓	✓	✓	✓						✓		✓			✓			✓											
VPX1C2ABYR1A2A	✓		✓		✓		✓	✓	✓	✓	✓	✓						✓			✓		✓			✓											
VPX1C2ABYR1A2B	✓		✓		✓		✓	✓	✓	✓	✓	✓						✓			✓		✓			✓											
VPX1C2ABYR1A4F	✓		✓		✓		✓	✓	✓	✓	✓	✓						✓			✓		✓			✓											
VPX1C2BBBY1B2A2	✓		✓		✓		✓	✓	✓	✓	✓	✓				✓		✓					✓			✓											
VPX1C2CBGR1A2A	✓			✓		✓		✓	✓	✓	✓	✓			✓			✓	✓				✓			✓											
VPX1C2CBGR1A2B	✓			✓		✓		✓	✓	✓	✓	✓			✓			✓	✓				✓			✓											
VPX1C2CBGR1A2C	✓			✓		✓		✓	✓	✓	✓	✓			✓			✓	✓				✓			✓											
VPX1C2CBGR1A4C	✓			✓		✓		✓	✓	✓	✓	✓			✓			✓	✓				✓			✓											
VPX1C2CBGR1A4F	✓			✓		✓		✓	✓	✓	✓	✓			✓			✓	✓				✓			✓											
VPX1C2CBYR1A2A	✓			✓		✓		✓	✓	✓	✓	✓			✓			✓			✓		✓			✓											
VPX1C2CBYR1A2B	✓			✓		✓		✓	✓	✓	✓	✓			✓			✓			✓		✓			✓											
VPX1C4ABGR1A2A	✓		✓		✓		✓	✓	✓	✓	✓	✓						✓	✓				✓			✓											
VPX1C4ABGR1A3B	✓		✓		✓		✓	✓	✓	✓	✓	✓						✓	✓				✓			✓											
VPX1C4ABGR1A4F	✓		✓		✓		✓	✓	✓	✓	✓	✓						✓	✓				✓			✓											
VPX1C4ABYR1A3B	✓		✓		✓		✓	✓	✓	✓	✓	✓						✓			✓		✓			✓											

VALVE POSITION INDICATOR, VPX SERIES

FIGURE 2. MOUNTING DIMENSIONS



VALVE POSITION INDICATOR, VPX SERIES

ACCESSORIES

A mounting bracket kit is available as an accessory, Honeywell part number VPZB1.

FIGURE 3. ACCESSORY BRACKET

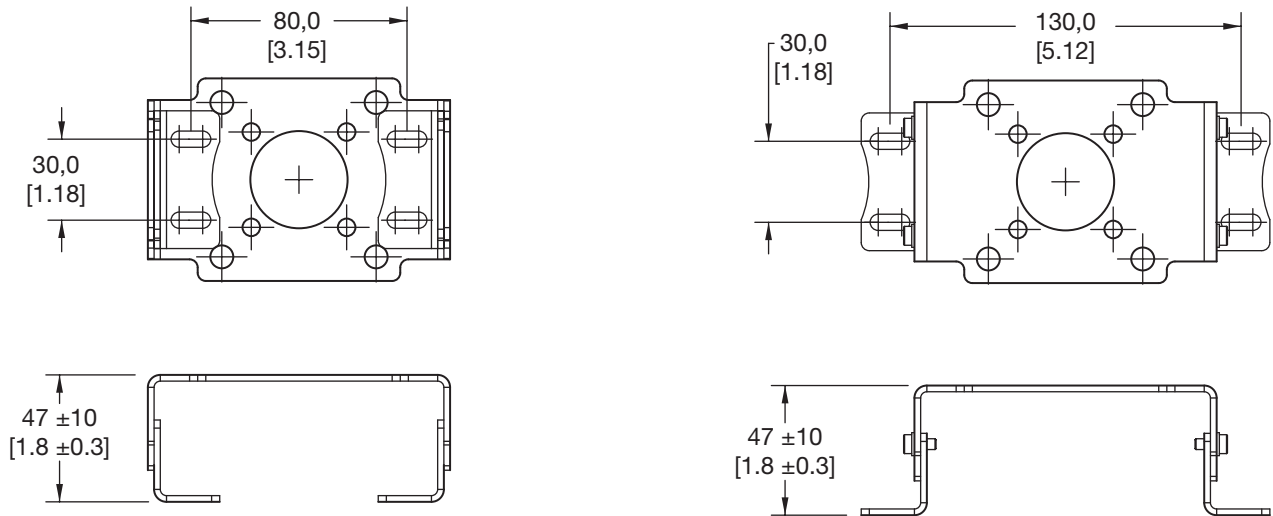
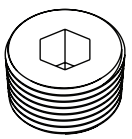
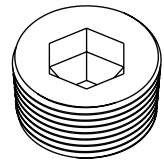
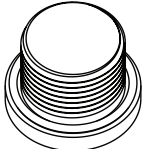
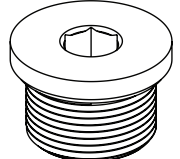


TABLE 5. CONDUIT PLUG ACCESSORIES

		SIZE	HONEYWELL PART NUMBER	TIGHTENING SPECIFICATION
 		1/2-14 NPT	VPZPA	Hand tight and then 1 to 2 full turns using a wrench
		3/4-14 NPT	VPZPB	Hand tight and then 1 to 2 full turns using a wrench
 		M20 x 1.5	VPZPC	Hand tight and then 1/4 to 1 full turn using a wrench
		M25 x 1.5	VPZPD	Hand tight and then 1/4 to 1 full turn using a wrench

VALVE POSITION INDICATOR, VPX SERIES

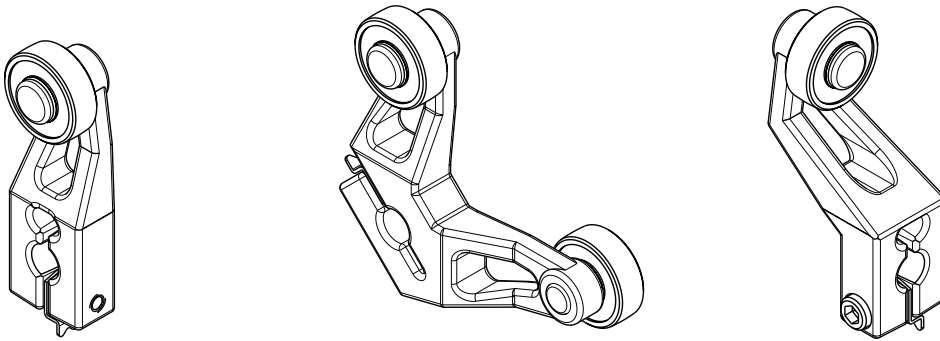


TABLE 6. LEVER ACTUATOR ACCESSORIES

LEVER LISTING	DESCRIPTION
LSZ51	Fixed, rollerless (1.5 R)
LSZ51A	Fixed, 0.75 in x 0.25 in nylon roller, open (1.5 R)
LSZ51C	Fixed, 0.75 in x 0.25 in nylon roller, closed (1.5 R)
LSZ52C	Adjustable, 0.75 in x 0.25 in nylon roller, closed
LSZ52J	Adjustable, 1.0 in x 0.5 in nylon roller, closed
LSZ52K	Adjustable, 1.25 in x 0.25 in nylon roller, closed
LSZ53E	Yoke, 0.75 in x 0.25 in nylon rollers, closed & open
LSZ53S	Yoke, 0.75 in x 0.25 in nylon rollers, same side closed
LSZ54	Hub only
LSZ54M	Hub, aluminum rod actuator
LSZ55	Offset lever, rollerless
LSZ55A	Offset, 0.75 in x 0.25 in nylon roller, open
LSZ55C	Offset, 0.75 in x 0.25 in nylon roller, closed
LSZ59A	Fixed, 0.75 in x 0.25 in nylon roller, open (1.33 R)
LSZ59C	Fixed, 0.75 in x 0.25 in nylon roller, closed (1.33 R)

ADDITIONAL MATERIALS

The following associated literature is available at sensing.honeywell.com:

- Product range guide
- Installation instructions
- Application note

WARRANTY/REMEDY

Honeywell warrants goods of its manufacture as being free of defective materials and faulty workmanship during the applicable warranty period. Honeywell's standard product warranty applies unless agreed to otherwise by Honeywell in writing; please refer to your order acknowledgment or consult your local sales office for specific warranty details. If warranted goods are returned to Honeywell during the period of coverage, Honeywell will repair or replace, at its option, without charge those items that Honeywell, in its sole discretion, finds defective.

The foregoing is buyer's sole remedy and is in lieu of all other warranties, expressed or implied, including those of merchantability and fitness for a particular purpose. In no event shall Honeywell be liable for consequential, special, or indirect damages.

While Honeywell may provide application assistance personally, through our literature and the Honeywell web site, it is buyer's sole responsibility to determine the suitability of the product in the application.

Specifications may change without notice. The information we supply is believed to be accurate and reliable as of this writing. However, Honeywell assumes no responsibility for its use.

FOR MORE INFORMATION

Honeywell Sensing and Internet of Things services its customers through a worldwide network of sales offices and distributors. For application assistance, current specifications, pricing or the nearest Authorized Distributor, visit sensing.honeywell.com or call:

Asia Pacific	+65 6355-2828
Europe	+44 1698 481481
USA/Canada	+1-800-537-6945

Honeywell Sensing and Internet of Things

9680 Old Bailes Road
Fort Mill, SC 29707
honeywell.com

WARNING PERSONAL INJURY

DO NOT USE these products as safety or emergency stop devices or in any other application where failure of the product could result in personal injury.

Failure to comply with these instructions could result in death or serious injury.

WARNING MISUSE OF DOCUMENTATION

- The information presented in this product sheet is for reference only. Do not use this document as a product installation guide.
- Complete installation, operation, and maintenance information is provided in the instructions supplied with each product.

Failure to comply with these instructions could result in death or serious injury.



Компания «ЭлектроПласт» предлагает заключение долгосрочных отношений при поставках импортных электронных компонентов на взаимовыгодных условиях!

Наши преимущества:

- Оперативные поставки широкого спектра электронных компонентов отечественного и импортного производства напрямую от производителей и с крупнейших мировых складов;
- Поставка более 17-ти миллионов наименований электронных компонентов;
- Поставка сложных, дефицитных, либо снятых с производства позиций;
- Оперативные сроки поставки под заказ (от 5 рабочих дней);
- Экспресс доставка в любую точку России;
- Техническая поддержка проекта, помощь в подборе аналогов, поставка прототипов;
- Система менеджмента качества сертифицирована по Международному стандарту ISO 9001;
- Лицензия ФСБ на осуществление работ с использованием сведений, составляющих государственную тайну;
- Поставка специализированных компонентов (Xilinx, Altera, Analog Devices, Intersil, Interpoint, Microsemi, Aeroflex, Peregrine, Syfer, Eurofarad, Texas Instrument, Miteq, Cobham, E2V, MA-COM, Hittite, Mini-Circuits, General Dynamics и др.);

Помимо этого, одним из направлений компании «ЭлектроПласт» является направление «Источники питания». Мы предлагаем Вам помощь Конструкторского отдела:

- Подбор оптимального решения, техническое обоснование при выборе компонента;
- Подбор аналогов;
- Консультации по применению компонента;
- Поставка образцов и прототипов;
- Техническая поддержка проекта;
- Защита от снятия компонента с производства.



Как с нами связаться

Телефон: 8 (812) 309 58 32 (многоканальный)

Факс: 8 (812) 320-02-42

Электронная почта: org@eplast1.ru

Адрес: 198099, г. Санкт-Петербург, ул. Калинина, дом 2, корпус 4, литера А.