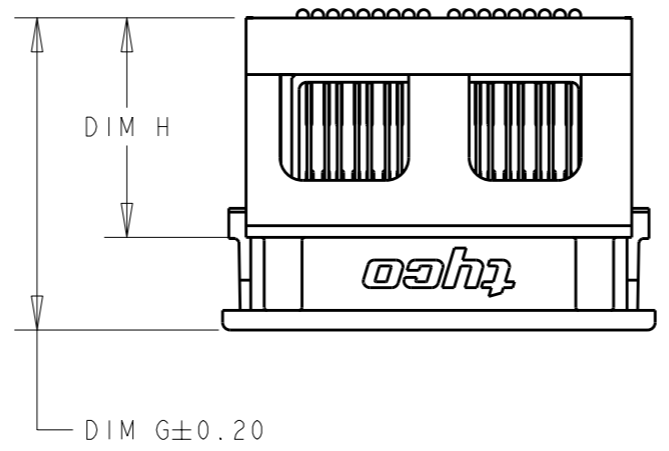
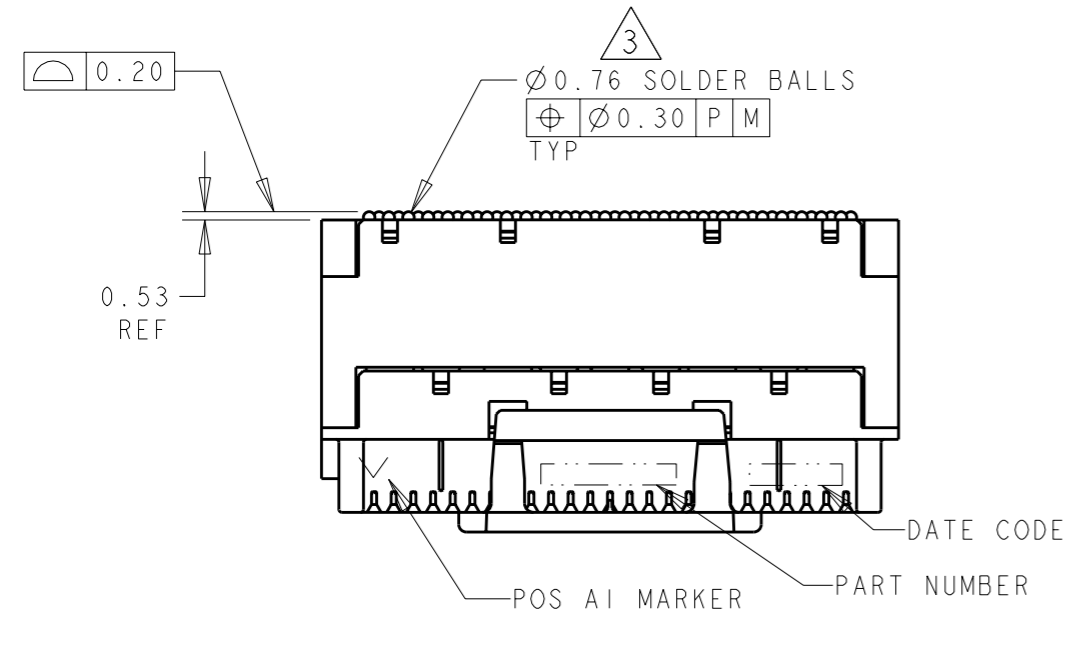
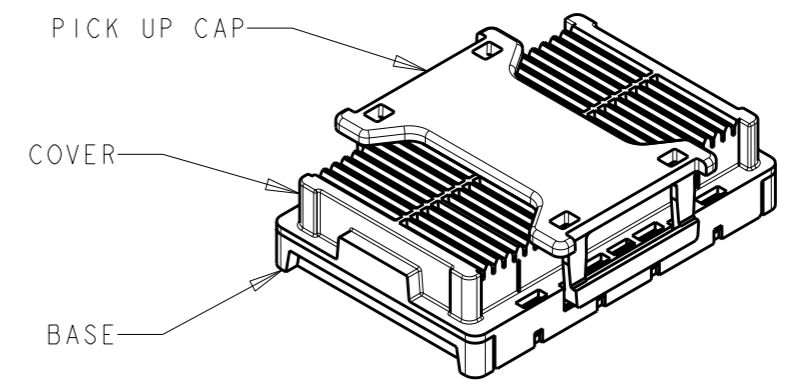
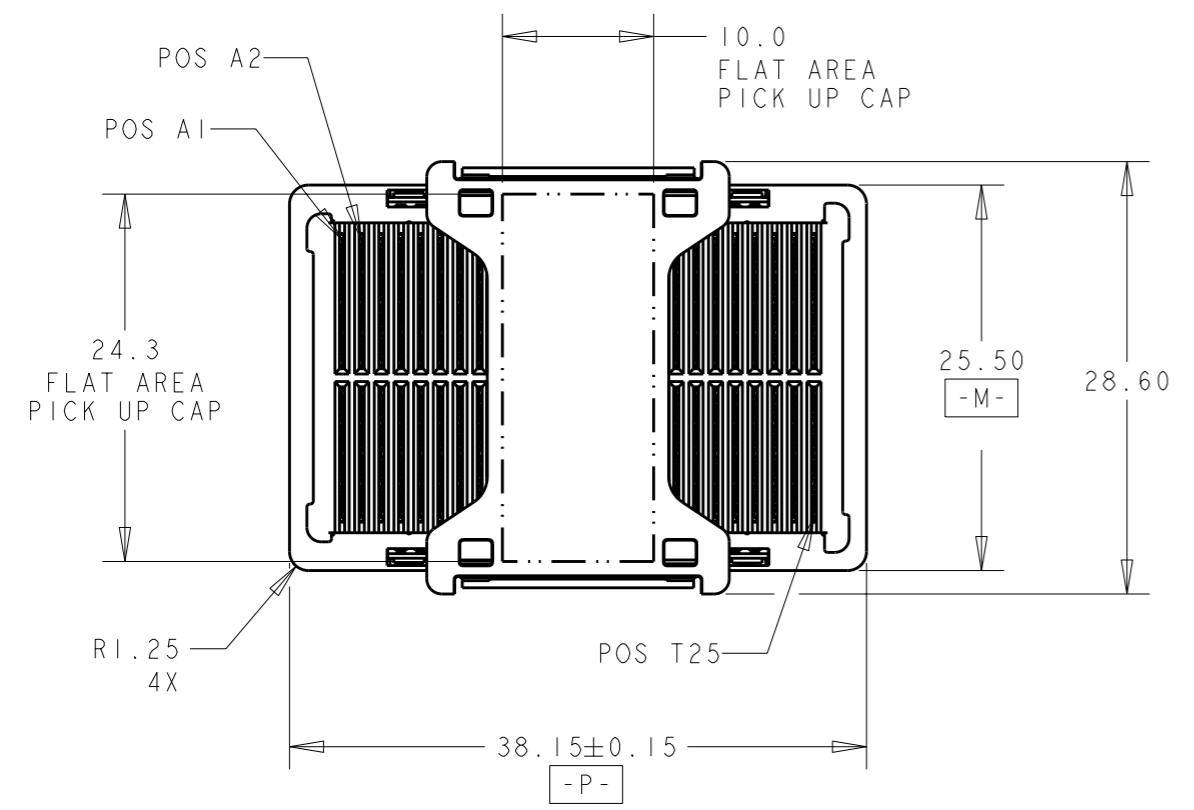


THIS DRAWING IS UNPUBLISHED. RELEASED FOR PUBLICATION 20
 © COPYRIGHT 20 BY TYCO ELECTRONICS CORPORATION. ALL RIGHTS RESERVED.

LOC	DIST	REVISIONS				
P	LTR	DESCRIPTION	DATE	DWN	APVD	
GP	00	A	RELEASED	07NOV2007	BC	DD



TYPICAL ASSEMBLY
 15mm SHOWN
 SCALE 2:1



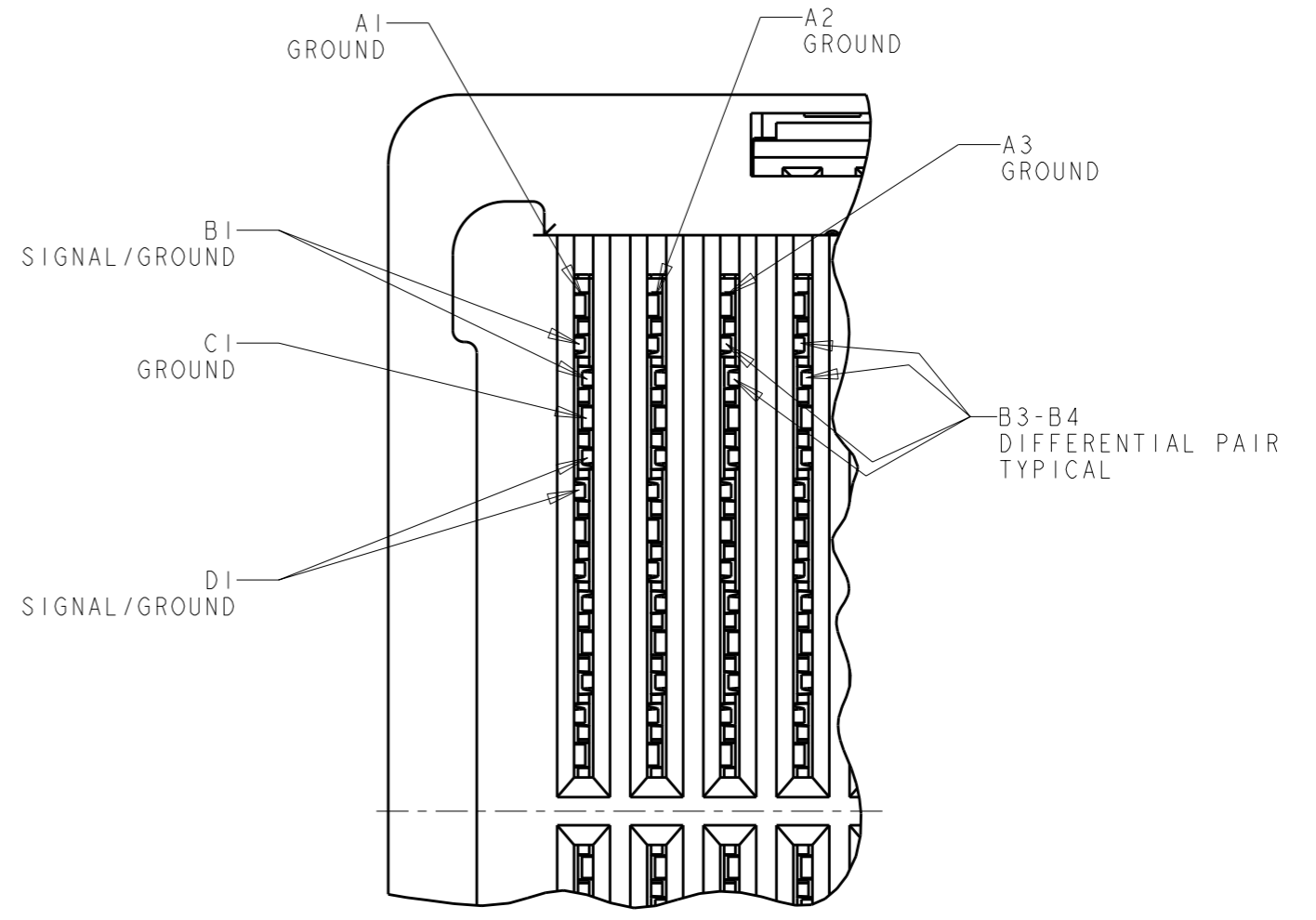
ISOMETRIC VIEW
 TYPICAL CONFIGURATION
 FOR 5mm ASSEMBLY
 SCALE 3:2

THIS DRAWING IS A CONTROLLED DOCUMENT FOR TYCO ELECTRONICS CORPORATION. IT IS SUBJECT TO CHANGE AND THE CONTROLLING ENGINEERING ORGANIZATION SHOULD BE CONTACTED FOR THE LATEST REVISION.		DWN B. CARBO 07NOV2007	Tyco Electronics Harrisburg, PA 17105-3608			
DIMENSIONS: mm		CHK D. DIXON 07NOV2007	NAME STEP-Z, RECEPTACLE ASSEMBLY, 200 SIGNAL POSITION			
TOLERANCES UNLESS OTHERWISE SPECIFIED: 0 PLC ±- 1 PLC ±0.3 2 PLC ±0.10 3 PLC ±0.050 4 PLC ±- ANGLES ±2°		APVD D. DIXON 07NOV2007				
MATERIAL		PRODUCT SPEC 108-2143	SIZE A3	CAGE CODE 00779	DRAWING NO C-2007615	RESTRICTED TO
FINISH		APPLICATION SPEC 114-13101	SCALE		SHEET 1 OF 4	REV A
CUSTOMER DRAWING		WEIGHT				

THIS DRAWING IS UNPUBLISHED. RELEASED FOR PUBLICATION 20
 © COPYRIGHT 20 BY TYCO ELECTRONICS CORPORATION. ALL RIGHTS RESERVED.

LOC	DIST	REVISIONS				
P	LTR	DESCRIPTION	DATE	DWN	APVD	
GP	00	-	SEE SHEET 1	-	-	

- 1 MATERIAL:
 BASE, SPACER, COVER: THERMOPLASTIC
 PICK UP CAP: THERMOPLASTIC
 CONTACT: COPPER ALLOY
 SOLDER BALL: Sn/Pb FOR P/N 1761615-1 THRU 5-1761615-0
 Sn/Ag FOR P/N 5-1761615-1 THRU 9-1761615-9
- 2 FINISH:
 CONTACT: 0.00076 MIN GOLD OVER 0.00127 MIN NICKEL.
 (30μ" MIN GOLD OVER 50μ" MIN NICKEL)
- 3 SOLDER BALLS WILL NOT BE PERFECT
 SPHERICAL SHAPE DUE TO REFLOW ATTACHMENT.
- 4 CONTACTS IN ROWS A,C,E,G,J,K,M,P,R, AND T
 ARE SINGLE BEAM CONTACTS,
 TYPICALLY USED AS GROUND PINS.
 (NOTE: CONTACTS IN ROWS J & K ARE TIED
 TOGETHER [COMMONED]).
- 5 CONTACTS IN ROWS B,D,F,H,L,N,Q, AND S
 ARE DUAL BEAM CONTACTS,
 TYPICALLY USED AS SIGNAL PINS.
- 6 SPECIFIED POSITIONAL TOLERANCE DEFINES PAD TO PAD
 LOCATION WITHIN LAND PATTERN. POSITIONAL TOLERANCE
 OF LAND PATTERN TO FUDICIAL MARKS OR PCB DATUMS
 SHALL BE DEFINED BY CUSTOMER. FOR RECOMMENDED
 PRODUCT APPLICATION AND PCB DESIGN DETAILS, SEE
 APPLICATION SPEC 114-13101.
- 7 SOLDER PADS UNUSED, MAY BE OMITTED.
- 8 REFERENCE BOARD PATTERN FOR DIMENSIONS
 AND DETAILS NOT SHOWN.
- 9 HARD BLACK PLASTIC JEDEC STYLE TRAY.
- 10 PACKAGING:
 28 CONNECTORS PER TRAY.
 8 TRAYS PER SHIPPING BOX.
 SOLD ONLY IN BOX QUANTITIES (224).
 AVAILABLE IN SINGLE SOFT CLEAR TRAY
 QUANTITY (25) AS X-1761615-X (SAME DASH NUMBERS).
- 11 ANTISTATIC MATERIAL.
- 12 CONNECTOR ORIENTATION:
 POSITION A1 IN UPPER RIGHT CORNER.



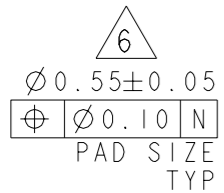
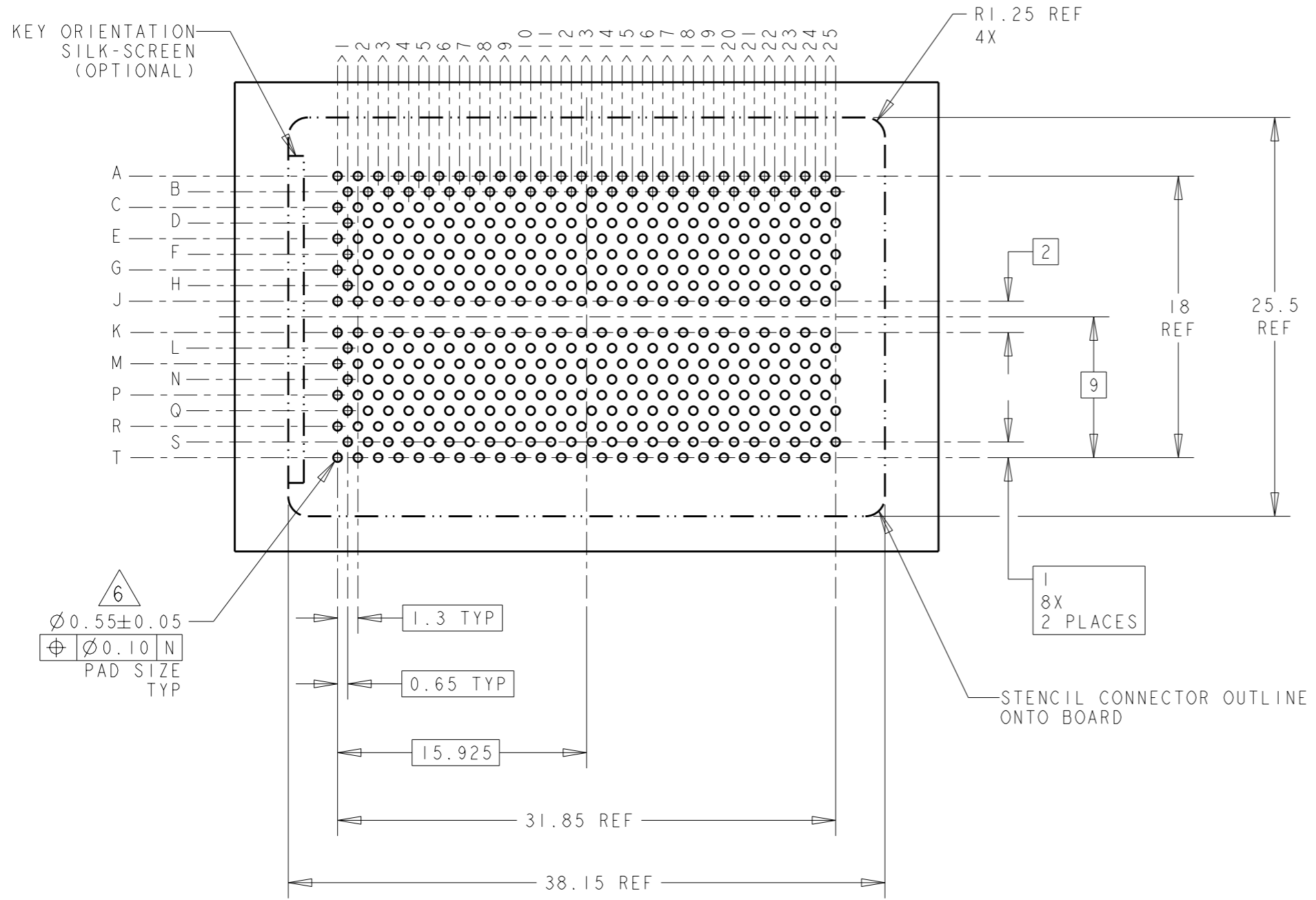
RECEPTACLE INTERFACE
 SCALE 8:1

TRAY COLOR	DIM T	DIM H	DIM G	LOAD STYLE	DESCRIPTION	PART NUMBER
BLUE	11.3	4.51	10.65	FULL LOAD-200 POSN	5mm Sn/Ag	5-2007615-5
BLACK	11.3	4.51	10.65	FULL LOAD-200 POSN	5mm Sn/Pb	2007615-5

<small>THIS DRAWING IS A CONTROLLED DOCUMENT FOR TYCO ELECTRONICS CORPORATION IT IS SUBJECT TO CHANGE AND THE CONTROLLING ENGINEERING ORGANIZATION SHOULD BE CONTACTED FOR THE LATEST REVISION.</small>		DWN B. CARBO 07NOV2007 CHK D. DIXON 07NOV2007 APVD D. DIXON 07NOV2007	Tyco Electronics Harrisburg, PA 17105-3608
DIMENSIONS: mm 	TOLERANCES UNLESS OTHERWISE SPECIFIED: 0 PLC ±. 1 PLC ±0.3 2 PLC ±0.10 3 PLC ±0.050 4 PLC ±. ANGLES ±2°	PRODUCT SPEC 108-2143 APPLICATION SPEC 114-13101 WEIGHT -	NAME STEP-Z, RECEPTACLE ASSEMBLY, 200 SIGNAL POSITION SIZE A3 CAGE CODE 000779 DRAWING NO C-2007615 RESTRICTED TO -
MATERIAL -	FINISH -	CUSTOMER DRAWING SCALE - SHEET 2 OF 4 REV A	

THIS DRAWING IS UNPUBLISHED. RELEASED FOR PUBLICATION 20
 © COPYRIGHT 20 BY TYCO ELECTRONICS CORPORATION. ALL RIGHTS RESERVED.

LOC	DIST	REVISIONS				
P	LTR	DESCRIPTION	DATE	DWN	APVD	
GP	00	-	SEE SHEET 1	-	-	

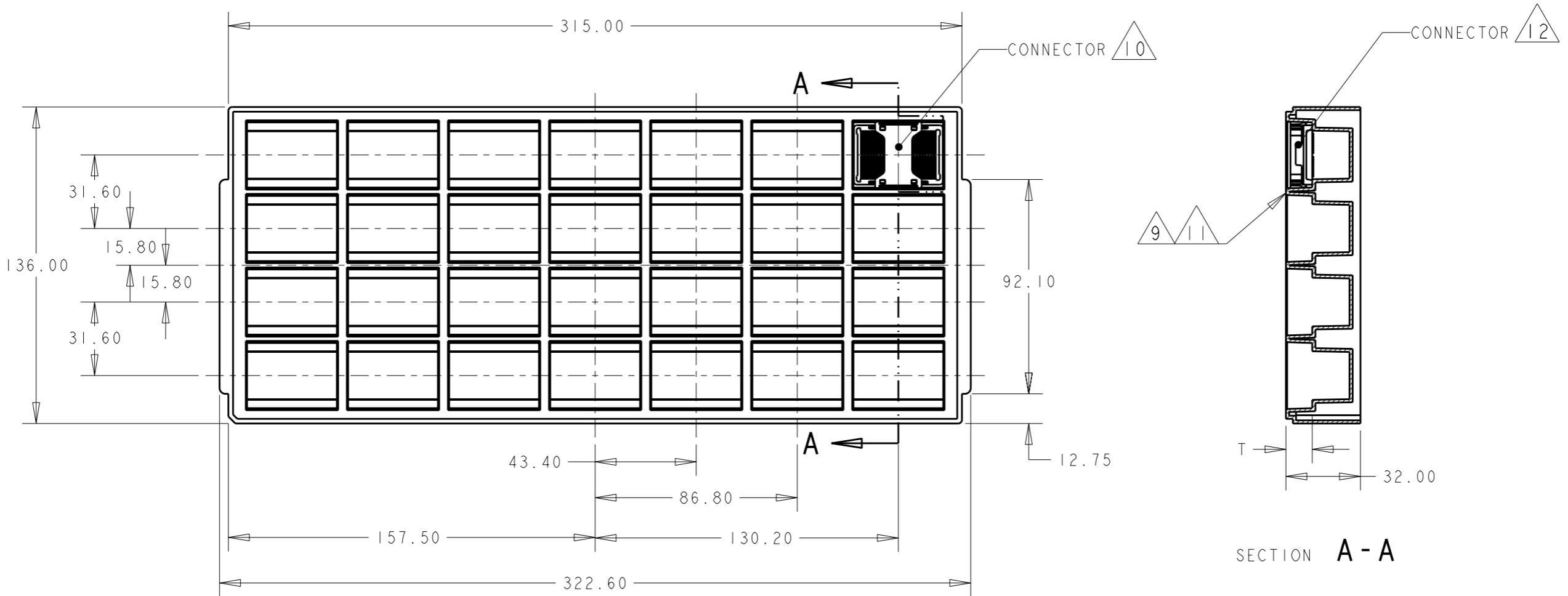


4 5 **BOARD PATTERN**
SCALE 3:1

<small>THIS DRAWING IS A CONTROLLED DOCUMENT FOR TYCO ELECTRONICS CORPORATION IT IS SUBJECT TO CHANGE AND THE CONTROLLING ENGINEERING ORGANIZATION SHOULD BE CONTACTED FOR THE LATEST REVISION.</small>		DWN B. CARBO 07NOV2007 CHK D. DIXON 07NOV2007 APVD D. DIXON 07NOV2007		Tyco Electronics Harrisburg, PA 17105-3608	
DIMENSIONS: mm		TOLERANCES UNLESS OTHERWISE SPECIFIED: 0 PLC ±- 1 PLC ±0.3 2 PLC ±0.10 3 PLC ±0.050 4 PLC ±- ANGLES ±2°		NAME STEP-Z, RECEPTACLE ASSEMBLY, 200 SIGNAL POSITION	
MATERIAL -		FINISH -		PRODUCT SPEC 108-2143 APPLICATION SPEC 114-13101	
		WEIGHT -		SIZE A3 CAGE CODE 300779 DRAWING NO C-2007615 RESTRICTED TO -	
CUSTOMER DRAWING				SCALE - SHEET 3 OF 4 REV A	

THIS DRAWING IS UNPUBLISHED. RELEASED FOR PUBLICATION 20
 © COPYRIGHT 20 BY TYCO ELECTRONICS CORPORATION. ALL RIGHTS RESERVED.

LOC	DIST	REVISIONS			
P	LTR	DESCRIPTION	DATE	DWN	APVD
GP	00	-	SEE SHEET 1	-	-



SCALE 1:2

<small>THIS DRAWING IS A CONTROLLED DOCUMENT FOR TYCO ELECTRONICS CORPORATION IT IS SUBJECT TO CHANGE AND THE CONTROLLING ENGINEERING ORGANIZATION SHOULD BE CONTACTED FOR THE LATEST REVISION.</small>		DWN B. CARBO 07NOV2007 CHK D. DIXON 07NOV2007 APVD D. DIXON 07NOV2007		Tyco Electronics Harrisburg, PA 17105-3608	
DIMENSIONS: mm		TOLERANCES UNLESS OTHERWISE SPECIFIED: 0 PLC ±- 1 PLC ±0.3 2 PLC ±0.10 3 PLC ±0.050 4 PLC ±- ANGLES ±2°		NAME STEP-Z, RECEPTACLE ASSEMBLY, 200 SIGNAL POSITION	
		MATERIAL - FINISH -		PRODUCT SPEC 108-2143 APPLICATION SPEC 114-13101 WEIGHT -	
CUSTOMER DRAWING		SIZE A3 CAGE CODE 00779 DRAWING NO C-2007615		RESTRICTED TO -	
SCALE -		SHEET 4 OF 4		REV A	



Компания «ЭлектроПласт» предлагает заключение долгосрочных отношений при поставках импортных электронных компонентов на взаимовыгодных условиях!

Наши преимущества:

- Оперативные поставки широкого спектра электронных компонентов отечественного и импортного производства напрямую от производителей и с крупнейших мировых складов;
- Поставка более 17-ти миллионов наименований электронных компонентов;
- Поставка сложных, дефицитных, либо снятых с производства позиций;
- Оперативные сроки поставки под заказ (от 5 рабочих дней);
- Экспресс доставка в любую точку России;
- Техническая поддержка проекта, помощь в подборе аналогов, поставка прототипов;
- Система менеджмента качества сертифицирована по Международному стандарту ISO 9001;
- Лицензия ФСБ на осуществление работ с использованием сведений, составляющих государственную тайну;
- Поставка специализированных компонентов (Xilinx, Altera, Analog Devices, Intersil, Interpoint, Microsemi, Aeroflex, Peregrine, Syfer, Eurofarad, Texas Instrument, Miteq, Cobham, E2V, MA-COM, Hittite, Mini-Circuits, General Dynamics и др.);

Помимо этого, одним из направлений компании «ЭлектроПласт» является направление «Источники питания». Мы предлагаем Вам помощь Конструкторского отдела:

- Подбор оптимального решения, техническое обоснование при выборе компонента;
- Подбор аналогов;
- Консультации по применению компонента;
- Поставка образцов и прототипов;
- Техническая поддержка проекта;
- Защита от снятия компонента с производства.



Как с нами связаться

Телефон: 8 (812) 309 58 32 (многоканальный)

Факс: 8 (812) 320-02-42

Электронная почта: org@eplast1.ru

Адрес: 198099, г. Санкт-Петербург, ул. Калинина, дом 2, корпус 4, литера А.